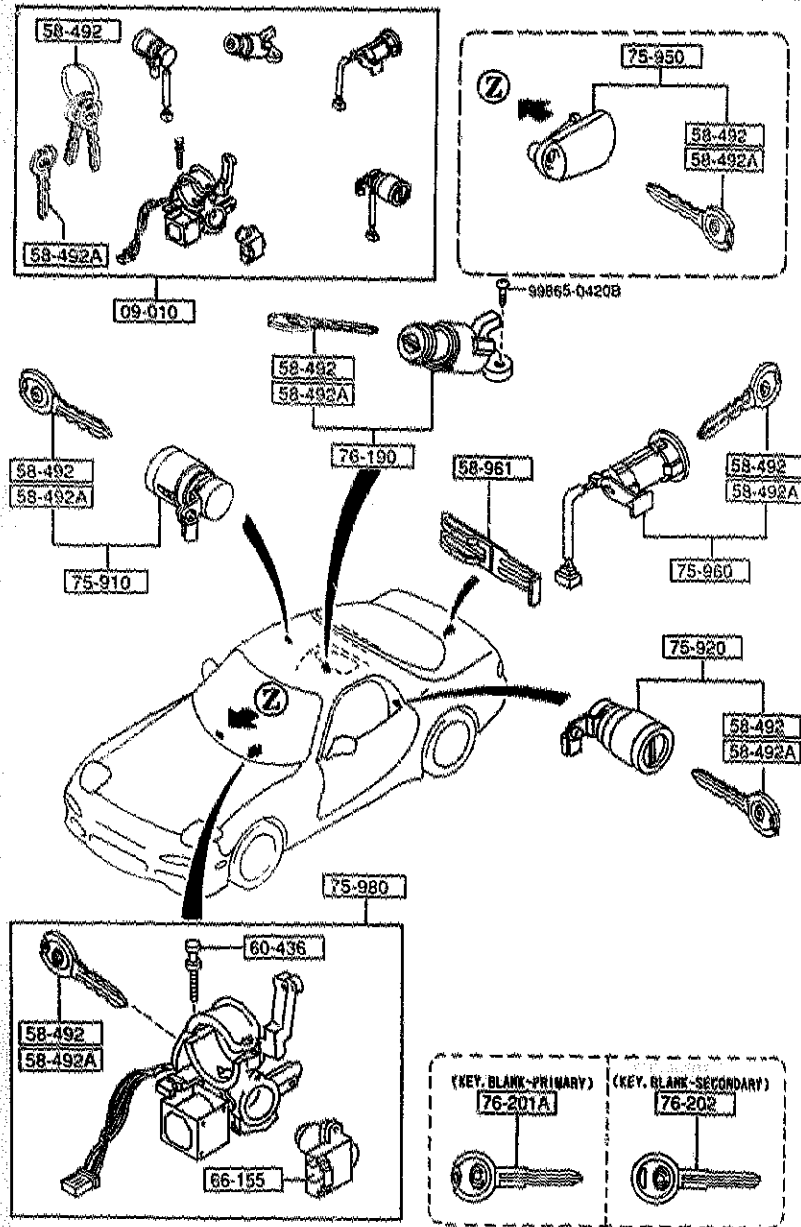


0900 KEY SETS



0900 -1 KEY SETS

PART NO.	QTY	MODEL/RESTRICTION	MODEL/RESTRICTION	MODEL/RESTRICTION	FROM-TO
09-010		KEY SET			
FD15-09-010C A (FD15-09-010D)	1	(MT)			-5301
FD17-09-010C A (FD17-09-010D)	1	(AT)			-5301
FD15-09-010D AH(FD15-09-010E)	1	(MT)			5301-5508
FD17-09-010D AH(FD17-09-010E)	1	(AT)			5301-5508
FD15-09-010E	1	(MT)			5508-
FD17-09-010E	1	(AT)			5508-
58-492		KEY,PRIMARY			
FD01-58-492	2	KEY NO. IS REQUIRED			
58-492A		KEY,SECONDARY			
FD01-58-493	1	KEY NO. IS REQUIRED			
58-961		FASTENER,KEY CYL.			
GJ21-56-902A	1				
60-436		BOLT,SET			
H043-66-154	2				
66-155		SWITCH,IGNITION			
FD01-66-151 A (FD01-66-151A)	1				-5301
FD01-66-151A	1				5301-
75-910		KEY SUB SET(R),DOOR			-5301
FD01-76-210B	1				-5301
FD01-76-210C	1				5301-5801
FD01-76-210D	1				5801-
75-920		KEY SUB SET(L),DOOR			-5301
FD01-76-220B	1				-5301
FD01-76-220C	1				5301-5801
FD01-76-220D	1				5801-

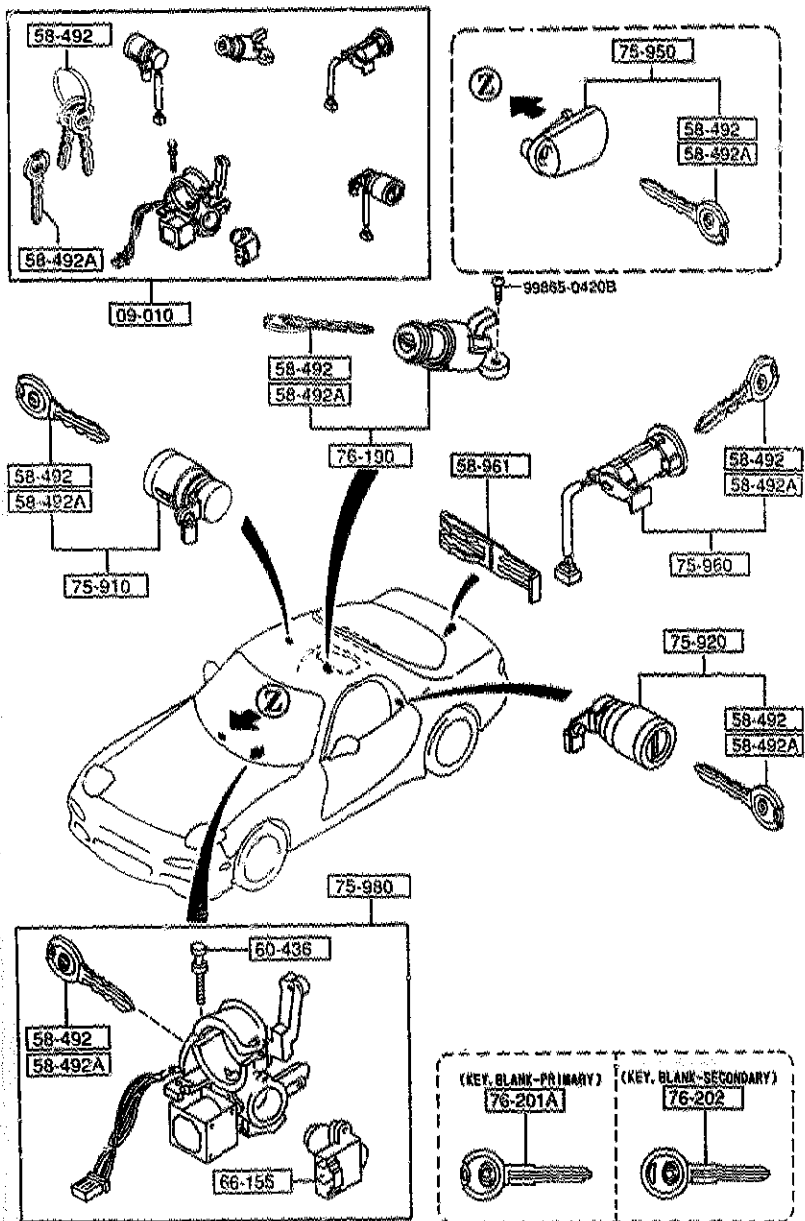
5301 FD333 -400027  
5508 FD333 -400229  
5801 FD333 -400230

AUFA08

CAT. AUFA06-04

1997-01

0900 KEY SETS



0900 -2 \* KEY SETS

PART NO.	QTY	MODEL/RESTRICTION	MODEL/RESTRICTION	MODEL/RESTRICTION	FROM TO
75-950		KEY SUB SET,GLOVE			
FD15-76-250A	1				-5301
FD15-76-250B	1				5301-
75-960		KEY SUB SET,LIFT GAT E			
FD01-76-260	1				-5301
FD01-76-260A	1				5301-5801
FD01-76-260B	1				5801-
75-980		KEY SUB SET,IG.SWICH			
FD01-76-290	1 (MT)				-5301
FD02-76-290	1 (AT)				-5301
FD02-76-290B	1 (MT)				5301-
FD02-76-290B	1 (AT)				5301-
76-190		KEY SUB SET,STORAGE			
FD01-76-190	1				-5301
FD01-76-190A	1				5301-
76-201A		KEY,BLANK-PRIMARY			
FD01-76-201	1				-5301
BOVA-76-201	1				5301-
76-202		KEY,BLANK-SECONDARY			
FD01-76-202	1				-5301
5301	FD333	-480827			
5801	FD333	-480230			

AUFA06

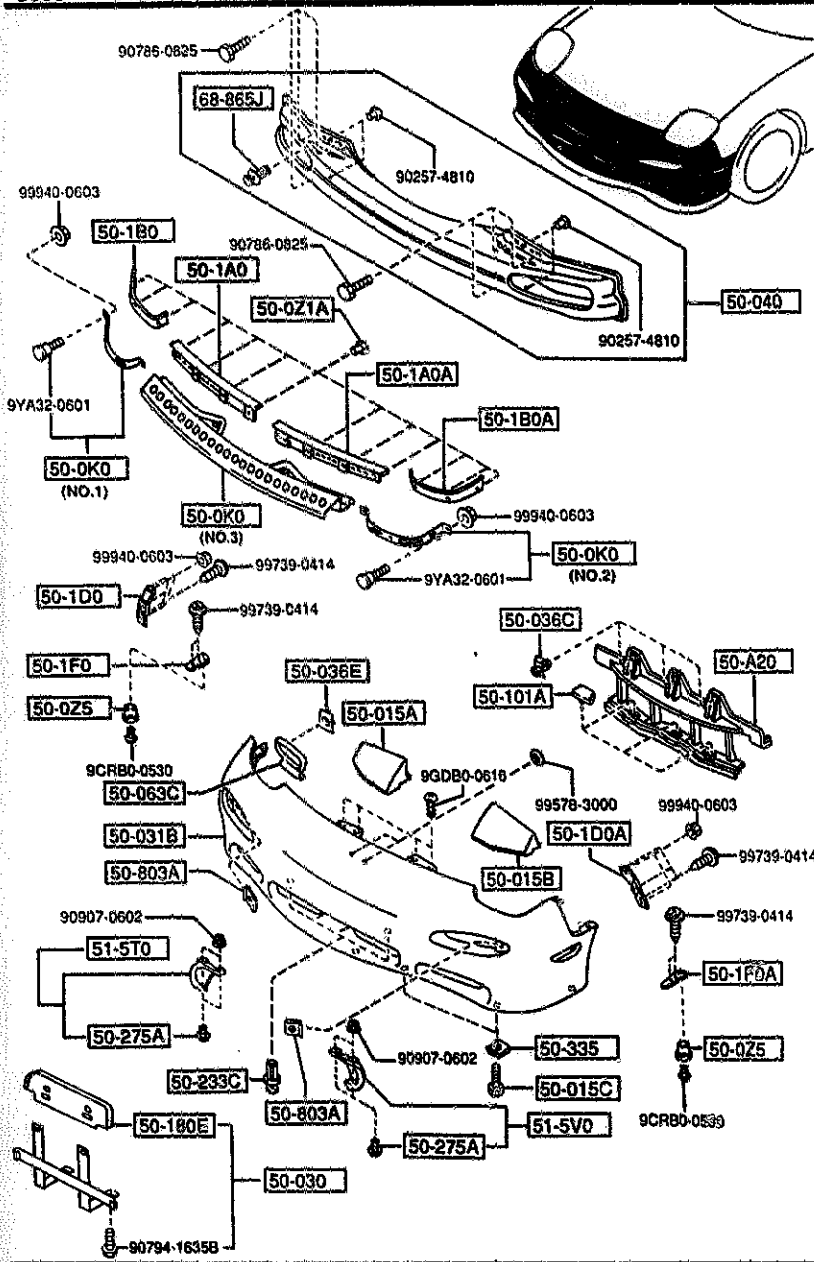
CAT. AUFA06-04

1997-01





5000 FRONT BUMPER



AUFA06

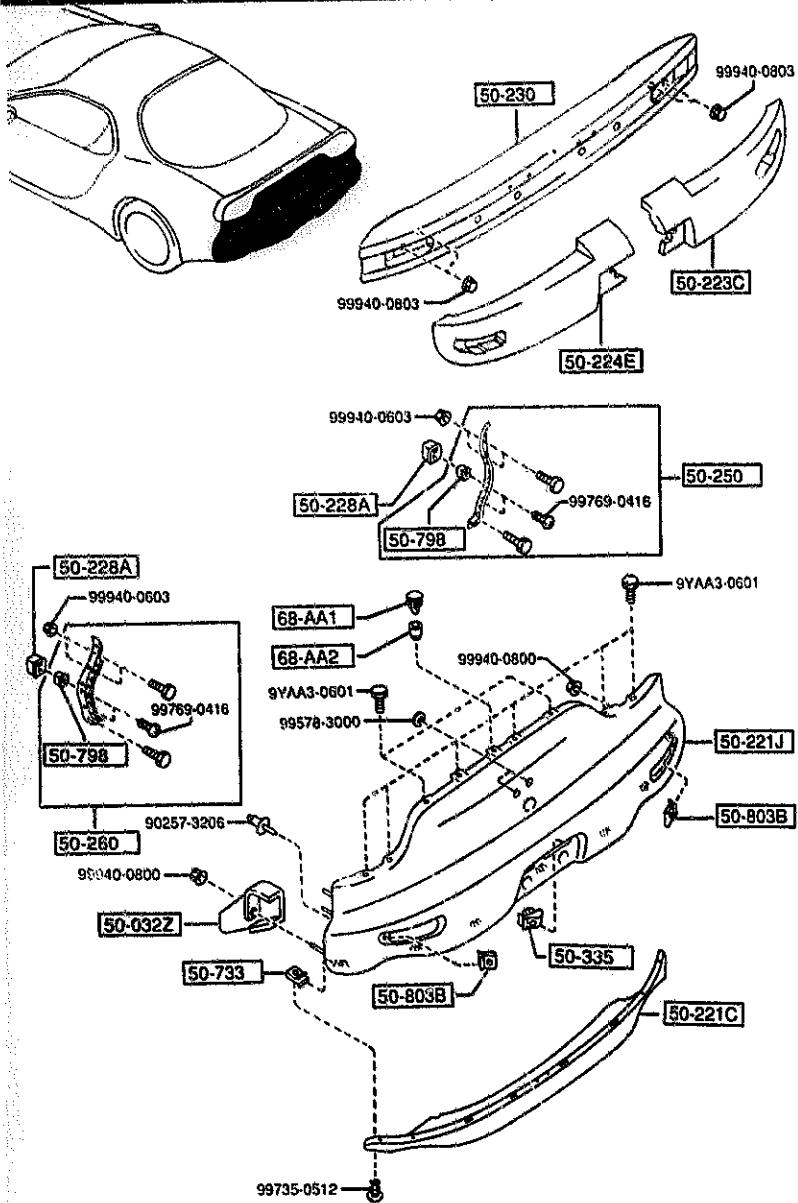
5000 -3 \* FRONT BUMPER

PART NO.	QTY	MODEL/RESTRICTION	MODEL/RESTRICTION	MODEL/RESTRICTION	FROM-TO
51-5T0		COVER(R), BUMPER			
FD01-51-5T0	1	(W/O SUN ROOF)			
51-5V0		COVER(L), BUMPER			
FD01-51-5V0	1	(W/O SUN ROOF)			
68-865J		FASTENER, TRK. S. TRIM			
8103-68-865	1				

CAT. AUFA06-04

1997-01

5010 REAR BUMPER

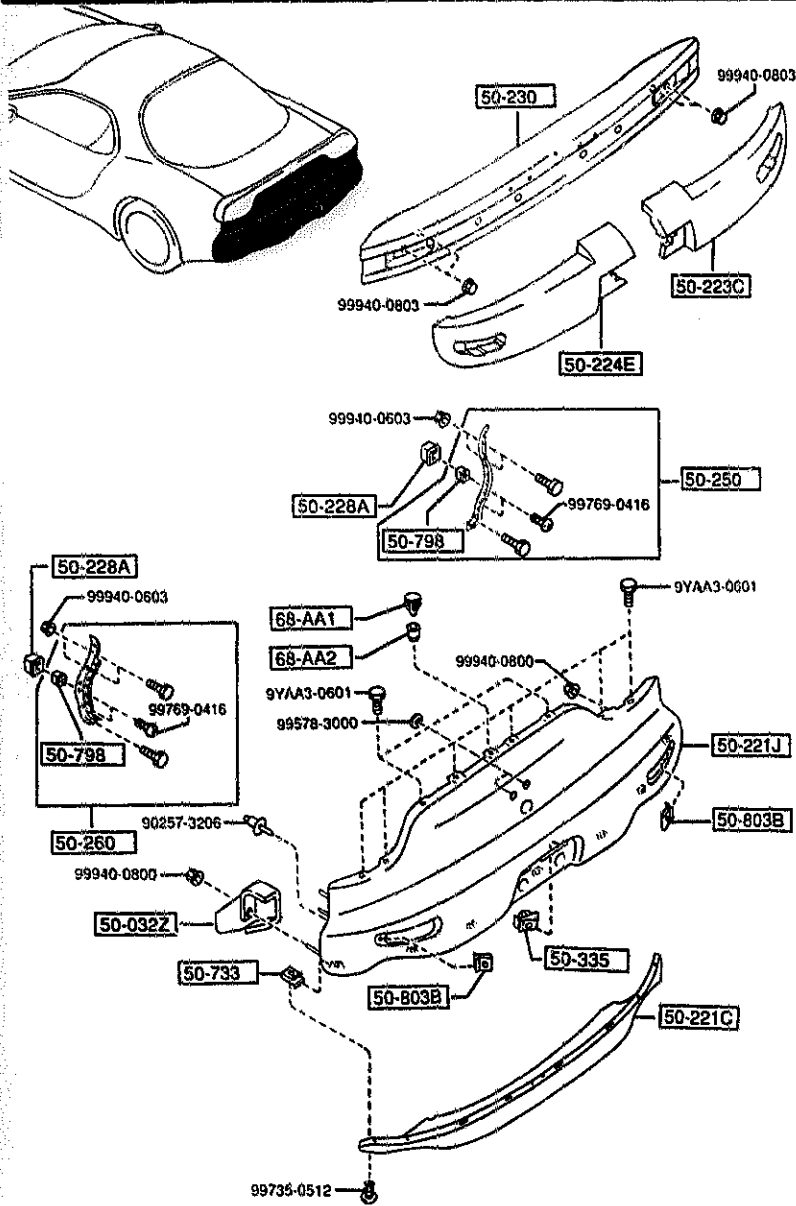


5010 -1 REAR BUMPER

PART NO.	QTY	MODEL/RESTRICTION	MODEL/RESTRICTION	MODEL/RESTRICTION	FROM-TO
50-032Z FD01-50-1J1	1	PROTECTOR(L)			
50-221C FD01-50-231A	1	BUMPER, REAR LOWER PAINT TO MATCH			
50-221J FD01-50-221B	1	BUMPER, REAR PAINT TO MATCH			
50-223C FD07-50-31X	1	FOAM(R), ENGY. ABS. -RR BUMP			
50-224E FD07-50-31Y	1	FOAM(L), ENGY. ABS. -RR BUMP			
50-228A FD01-50-AF5	4	GROMMET			
50-230 FD01-50-260A	1	REINFORCEMENT, BUMPER			
50-250 FD01-50-3A0	1	BRACKET(R), RR. BUMPER			
50-260 FD01-50-3B0	1	BRACKET(L), RR. BUMPER			
50-335 FB01-50-133C	2	NUT, CLIP			
50-733 FB01-50-733	7	NUT, SPRING-AIR DAM S KIRT			
50-798 FD01-50-799	4	SCREW, GROMMET			
50-803B FD01-50-803	2	NUT, SPRING			

5010 REAR BUMPER

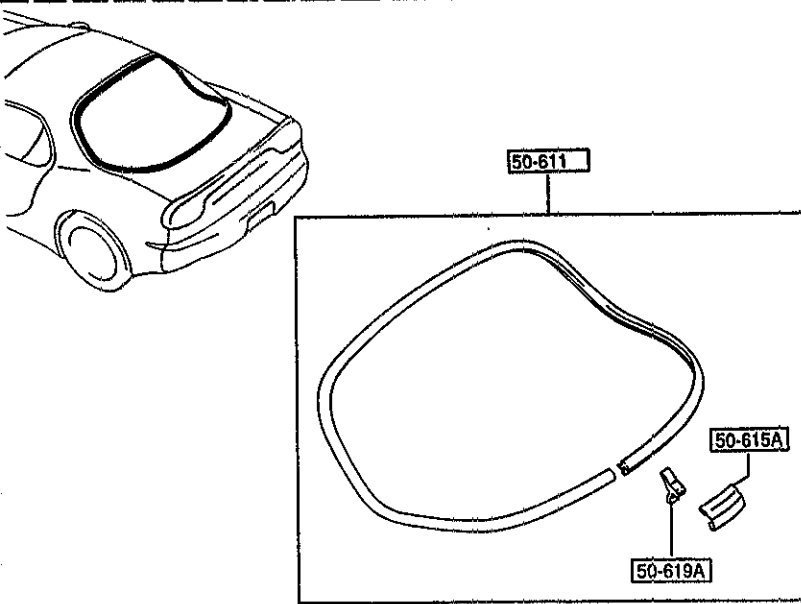
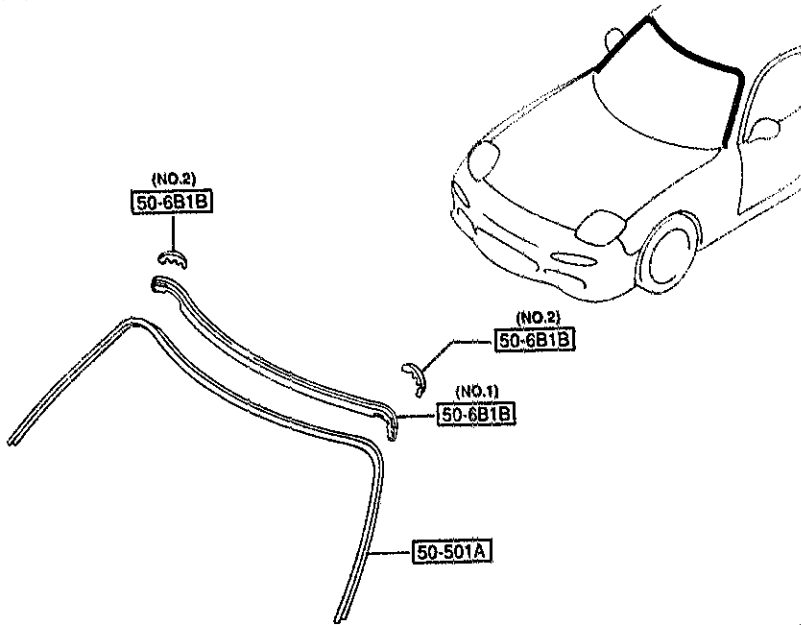
5010 -2 \* REAR BUMPER



PART NO.	QTY	MODEL/RESTRICTION	MODEL/RESTRICTION	MODEL/RESTRICTION	FROM-TO
68-AA1 LA10-68-AA1	1	FASTENER			
68-AA2 LA10-68-AA2	1	FASTENER, SEAL-TRIM			

5030 WINDOW MOULDINGS

5030 -1 \* WINDOW MOULDINGS



PART NO.	QTY	MODEL/RESTRICTION	MODEL/RESTRICTION	MODEL/RESTRICTION	FROM-TO
50-501A FD01-50-6AXB	1	MOULD(UP),FRT.WINDOW			
50-6B1B NA01-50-6B1	1	PROTR.MOULD-FRT WIND OW (ILLUST. NO.1)			
50-6B1B NA01-50-6B2	2	(ILLUST. NO.2)			
50-611 FD01-50-600B	1	MOULD,RR.WINDOW			
50-615A FD01-50-615	1	JOINT,BACK WINDOW MO ULD			
50-619A FD01-50-619A	1	CLIP,RR.WINDOW MOULD			

AUFA06

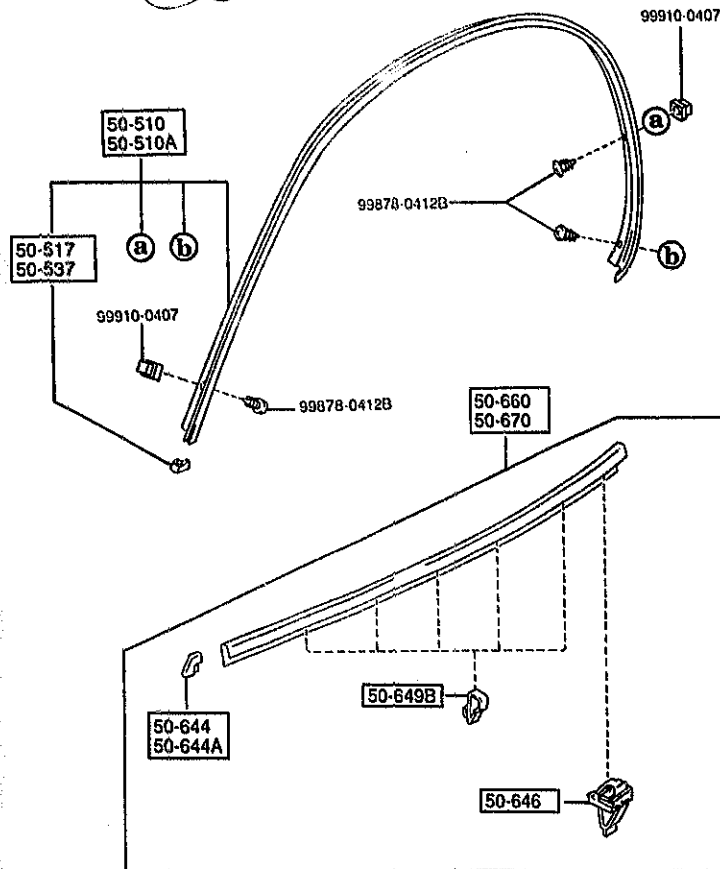
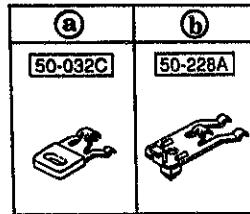
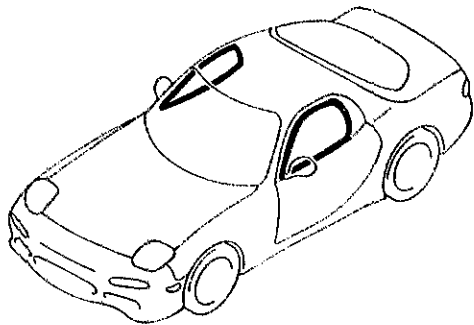
CAT. AUFA06-04

1997-01



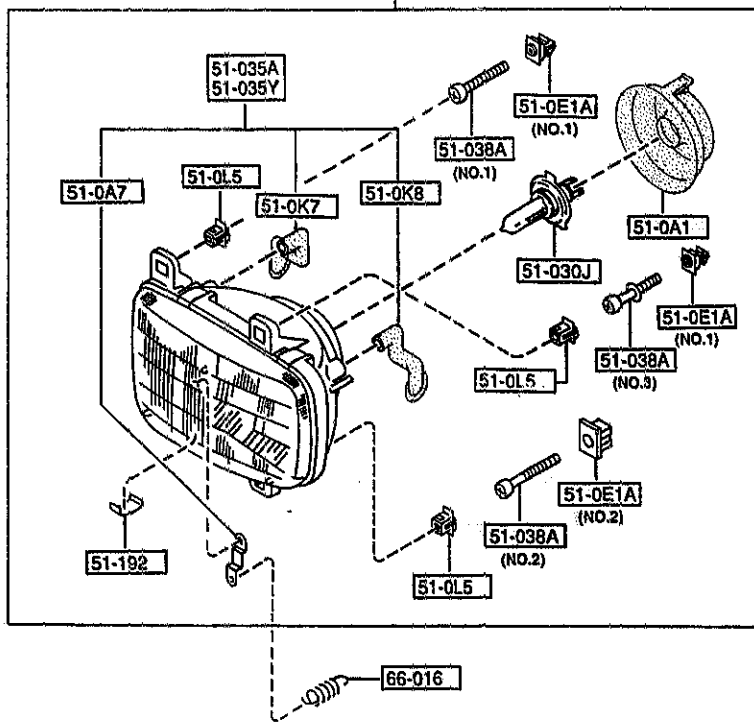
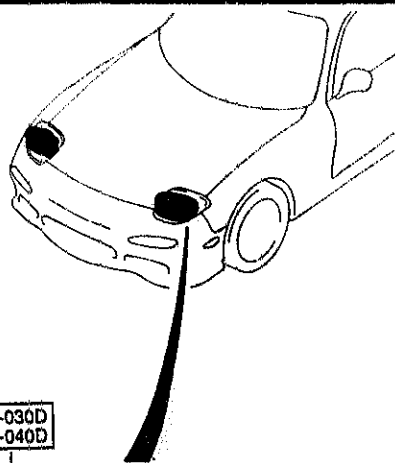
5040 BODY MOULDINGS

5040 -1 \* BODY MOULDINGS



PART NO.	QTY	MODEL/RESTRICTION	MODEL/RESTRICTION	MODEL/RESTRICTION	FROM-TO
50-032C		GROMMET			
FD01-50-538A	2				
50-228A		GROMMET			
FD01-50-539A	2				
50-510		MOULD(R), DRIP			
FD01-50-510E	1				
50-510A		MOULD(L), DRIP			
FD01-50-530E	1				
50-517		PROTECTOR(R), DRIP ML DG			
FD01-50-516A	1				
50-537		PROTECTOR(L), DRIP ML DG			
FD01-50-536A	1				
50-644		PROTECTOR'A'(R), BELT LINE			
FD01-50-644A	1				
50-644A		PROTECTOR'A'(L), BELT LINE			
FD01-50-654A	1				
50-646		CLIP, BELTLINE MOULD			
FD01-50-646B	2				
50-649B		CLIP'A', BELTLINE MOU LD			
FD01-50-649A	10				
50-660		MOULD(R), BELTLINE			
FD01-50-640D	1				
50-670		MOULD(L), BELTLINE			
FD01-50-650D	1				

5100 HEAD LAMPS

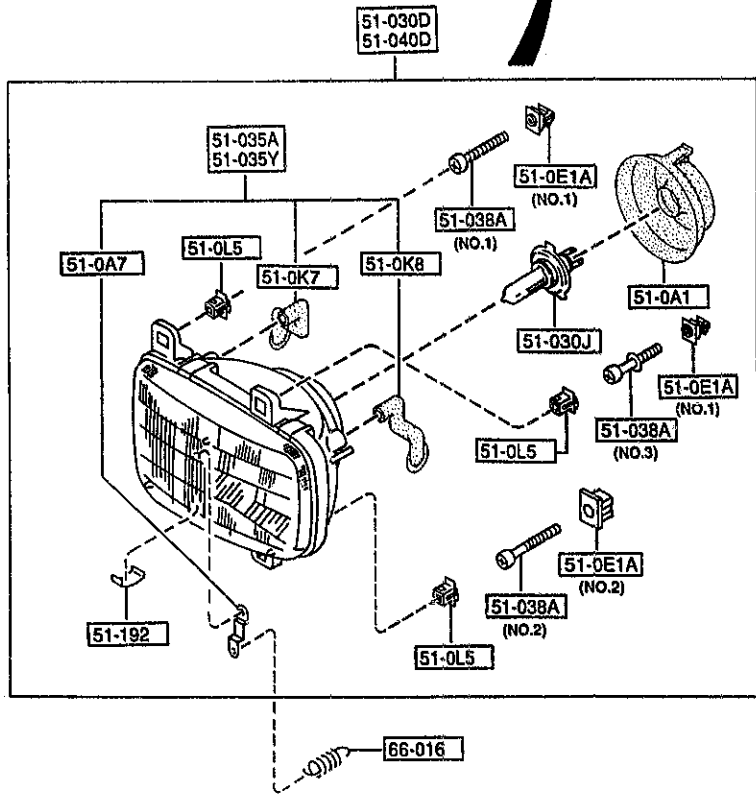
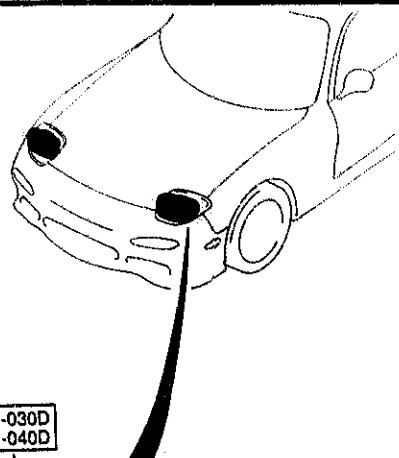


5100 -1 HEAD LAMPS

PART NO.	QTY	MODEL/RESTRICTION	MODEL/RESTRICTION	MODEL/RESTRICTION	FROM-TO
51-0A1		COVER, SOCKET-HEAD LAMP			
FD01-51-0A1	2				
51-0A7		BRACKET, HEAD LAMP			
FD01-51-0B7	2				
51-0E1A		FASTENER, LAMP			
BR70-51-0E1	4 (ILLUST. NO.1)				
FD01-51-025	2 (ILLUST. NO.2)				
51-0K7		TUBE, HEAD LAMP			
FD01-51-0K7	2				
51-0K8		TUBE, HEAD LAMP			
FD01-51-0K8	2				
51-0L5		BEARING, HEAD LAMP			
FD01-51-0L5	6				-4A01
BR70-51-0K3	6				4A01-
51-030D		LAMP(R), HEAD			
FD01-51-030D	1				
51-030J		BULB			
99703-8605	2	12V 60/55W			
51-035A		UNIT(R), HEAD LAMP			
FD01-51-0K0D	1				
51-035Y		UNIT(L), HEAD LAMP			
FD01-51-0L0D	1				
51-038A		SCREW, ADJUST			
FD01-51-037	2 (ILLUST. NO.1)				
FD01-51-047	2 (ILLUST. NO.3)				
FD02-51-037	2 (ILLUST. NO.2)				
BM69-51-037	2 (ILLUST. NO.2)				-4A01
51-040D		LAMP(L), HEAD			4A01-
4A01 FD333 -400014					

5100 HEAD LAMPS

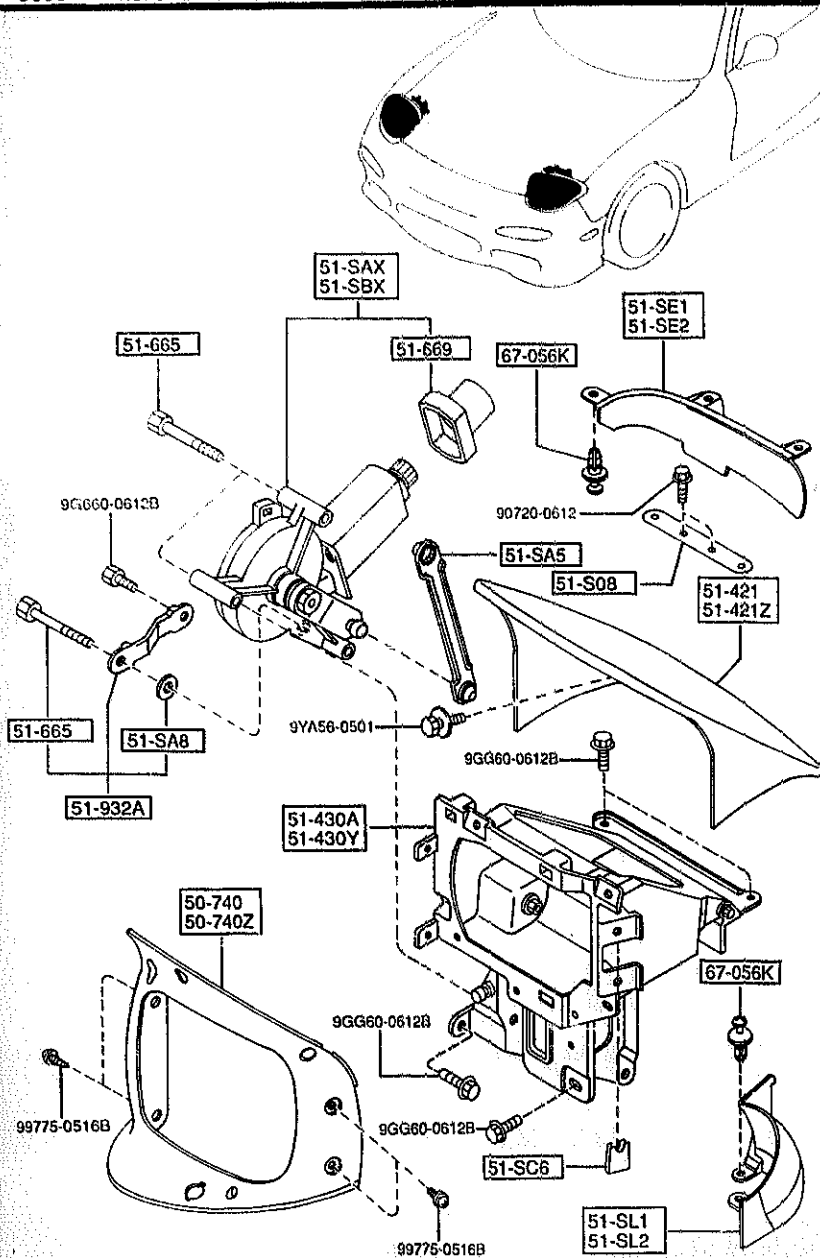
5100 -2 \* HEAD LAMPS



PART NO.	QTY	MODEL/RESTRICTION	MODEL/RESTRICTION	MODEL/RESTRICTION	FROM-TO
CONT'D FD01-51-040D	1				
51-192		CLIP			
B455-51-0A6	8				
66-016		SPRING, ADJUST			
FC42-51-036	2				

5103 HEAD LAMP RETRACTORS

5103 -1 HEAD LAMP RETRACTORS



PART NO.	QTY	MODEL/RESTRICTION	MODEL/RESTRICTION	MODEL/RESTRICTION	FROM TO
50-740		BEZEL(R),LAMP			
FD01-50-741C	1	(W/O HEAD LAMP CLEANER)			
50-740Z		BEZEL(L),LAMP			
FD01-50-751C	1	(W/O HEAD LAMP CLEANER)			
51-SAX		MOTOR(R),RETRACTABLE HEAD			
FD01-51-SAXB	1				
51-SA5		ROD,RETRACTABLE			
FD01-51-SA5	2				
51-SA8		WASHER			
NA01-51-SA8	2				
51-SBX		MOTOR(L),RETRACTABLE HEAD			
FD01-51-SBXB	1				
51-SC6		NUT,STOPPER-LAMP HINGE			
FD01-69-276A	6				
51-SE1		PROTECTOR(R),RETRACTABLE			
FD01-51-SE1A	1				
51-SE2		PROTECTOR(L),RETRACTABLE			
FD01-51-SE2A	1				
51-SL1		PROTECTOR(R),FENDER			
FD01-51-SL1A	1				
51-SL2		PROTECTOR(L),FENDER			
FD01-51-SL2A	1				
51-S08		PLATE,RETRACTABLE			
FD01-51-S08A	2				
51-421		LID(R),LAMP			
FDY2-51-SH1	1				

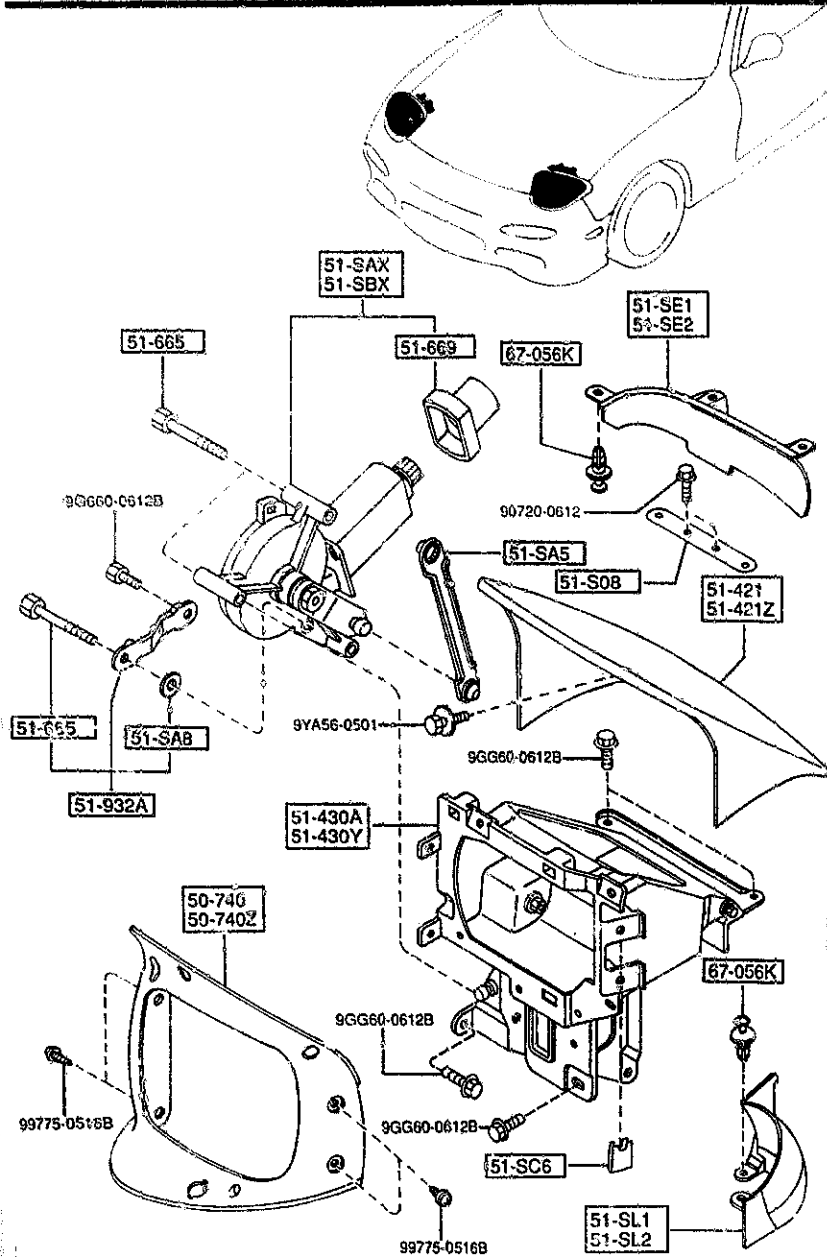
AUFA06

CAT. AUFA06-04

1997-01

5103 HEAD LAMP RETRACTORS

5103 -2 \* HEAD LAMP RETRACTORS

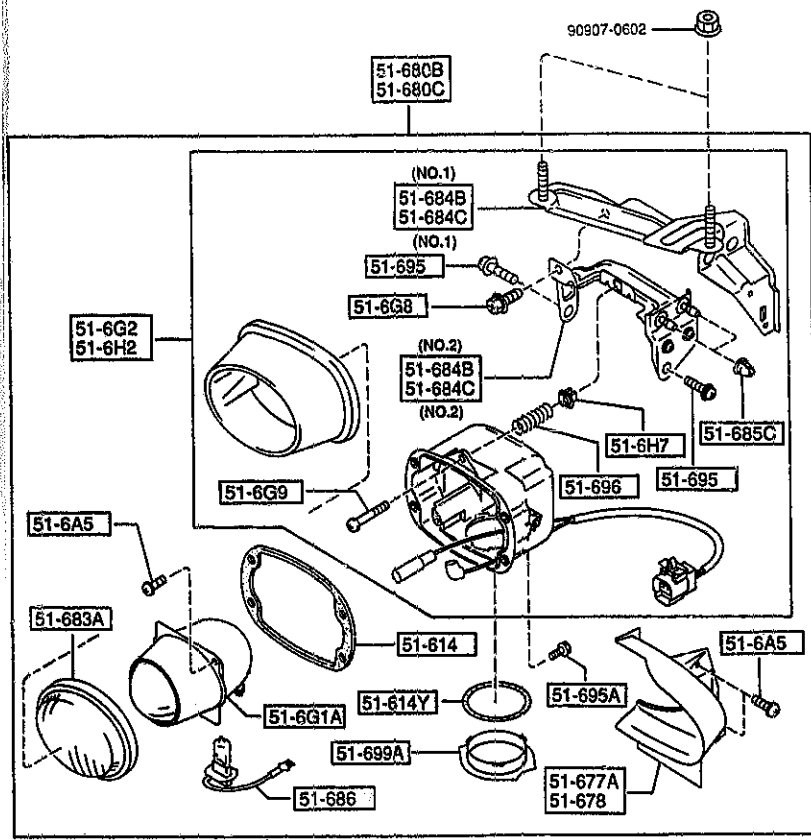
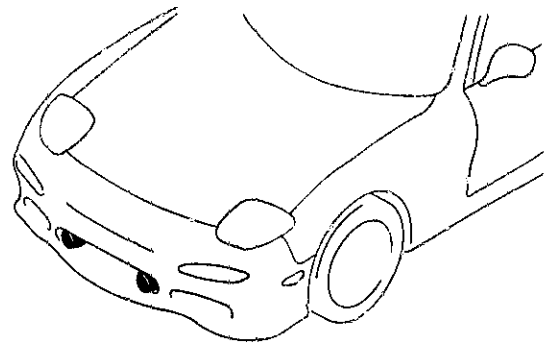
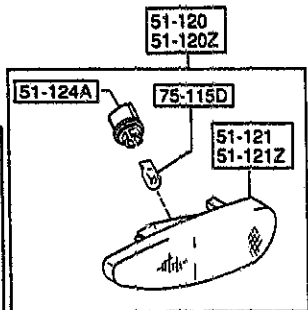
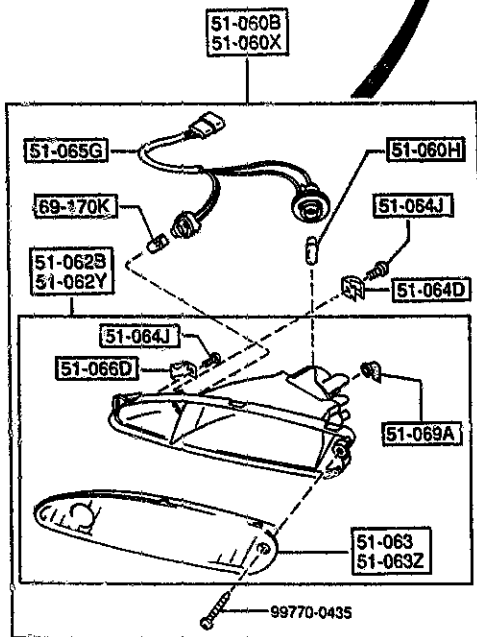
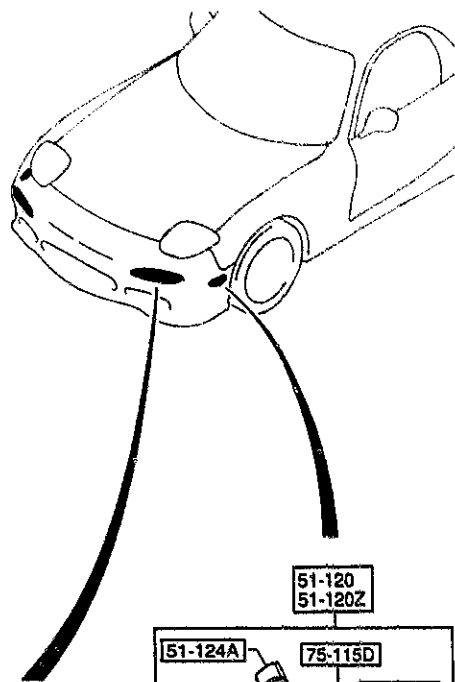


PART NO.	QTY	MODEL/RESTRICTION	MODEL/RESTRICTION	MODEL/RESTRICTION	FROM-TO
51-421Z		LID(L), LAMP			
FDY2-51-SH2	1				
51-430A		HINGE(R), LID-LAMP			
FD01-51-SC0D	1				
51-430Y		HINGE(L), LID-LAMP			
FD01-51-SD0D	1				
51-665		BOLT, MOTOR-RETRACT H /LAMP			
FB01-51-665	6				
51-669		BOOT, MOTOR-RETRACT H /L			
NA01-51-669	2				
51-932A		BRACKET, MOTOR			
FD01-51-S1Y	2				
67-056K		RIVET			
UB39-50-795	10				

AUFA06

CAT. AUFA06-04

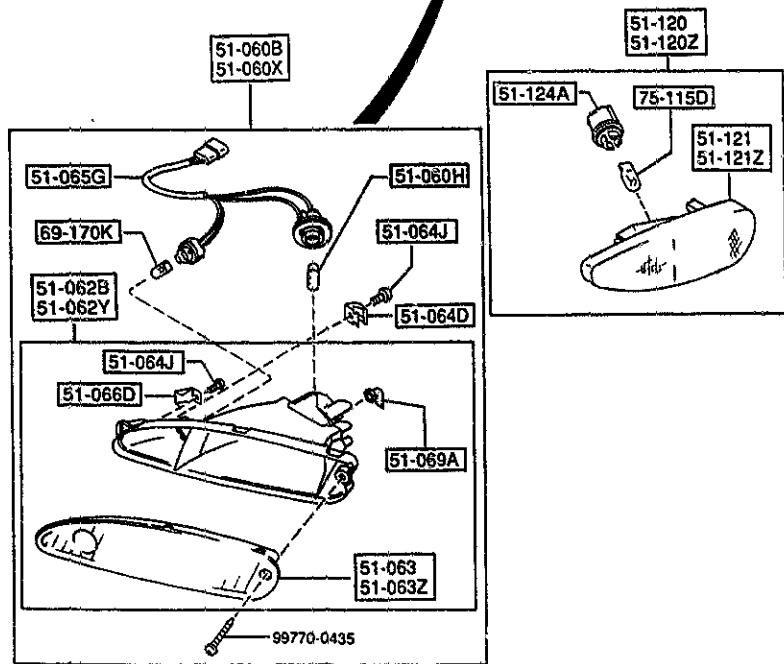
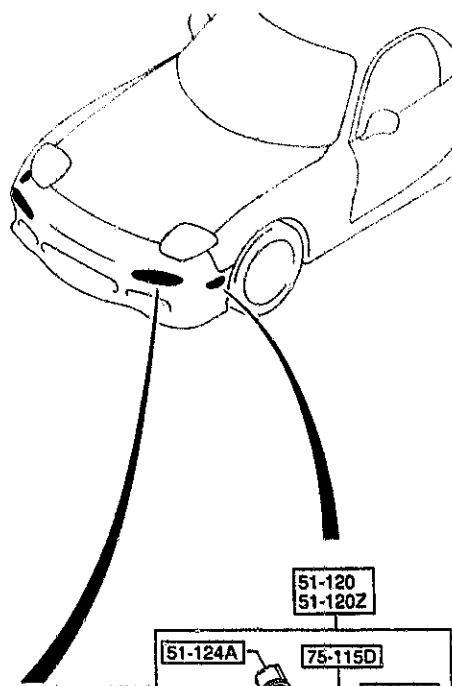
1997-01



5105 FRONT COMBINATION LAMPS

(1/2)

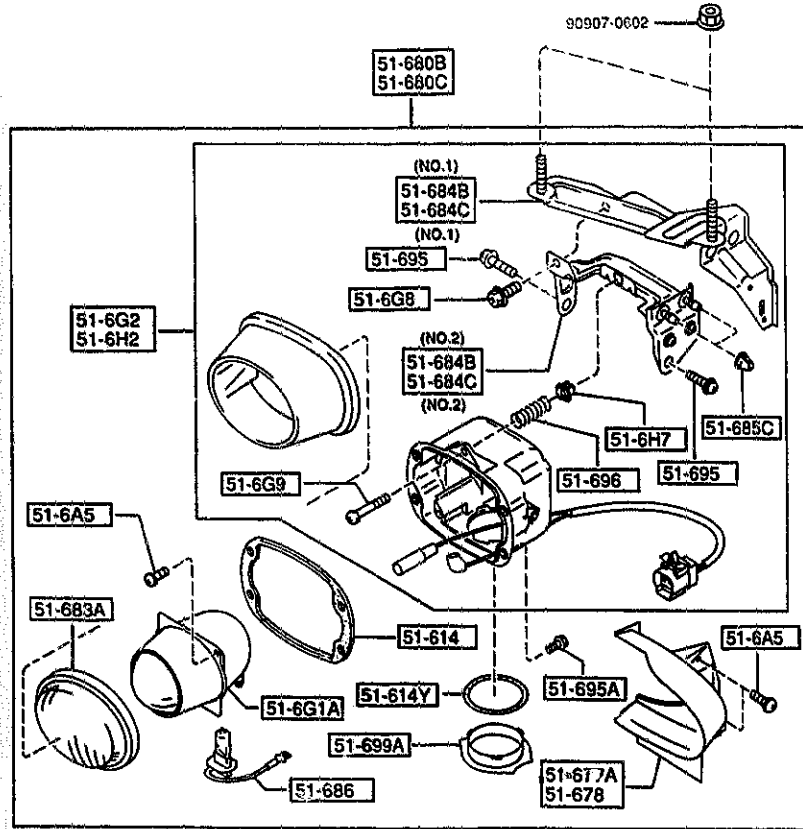
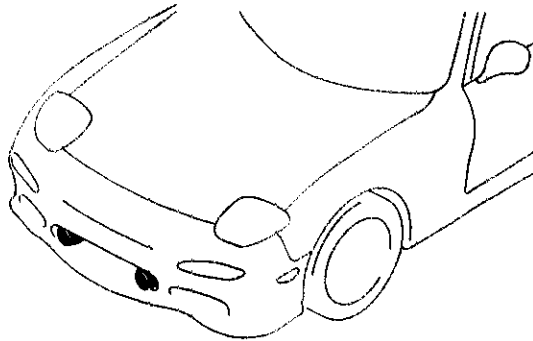
5105 -1 FRONT COMBINATION LAMPS



PART NO.	QTY	MODEL/RESTRICTION	MODEL/RESTRICTION	MODEL/RESTRICTION	FROM-TO
51-060B FD01-51-060D	1	LAMP(R),FRT. COMB.			
51-060H 90701-7270	2	BULB 12V/27W			
51-060X FD01-51-070D	1	LAMP(L),FRT. COMB.			
51-062B FD01-51-06XB	1	LENS & BODY(R),F. CO MB.			
51-062Y FD01-51-07XB	1	LENS & BODY(L),F. CO MB.			
51-063 FD01-51-061	1	LENS(R),FRT COMB.			
51-063Z FD01-51-071	1	LENS(L),FRT COMB.			
51-064D FD01-51-057	2	SPRING,FRT. COMB.			
51-064J FD01-51-1E6	4	SCREW,TAPPING			
51-065G FD01-51-064A	2	SOCKET,F. COMB. LAMP			
51-066D FD01-51-056	2	BRACKET,FRONT COMB. LAMP			
51-069A NA01-51-069	2	TUBE,HEAD LAMP			
51-120 FD01-51-5E0B	1	LAMP(R),SIDE TURN			
51-120Z		LAMP(L),SIDE TURN			

5105 FRONT COMBINATION LAMPS

(2/2)



5105 -2 FRONT COMBINATION LAMPS

PART NO.	QTY	MODEL/RESTRICTION	MODEL/RESTRICTION	MODEL/RESTRICTION	FROM-TO
CONT'D					
FD01-51-5F0B	1				
51-121		LENS & BODY(R)			
FD01-51-5E1B	1				
51-121Z		LENS & BODY(L)			
FD01-51-5F1B	1				
51-124A		SOCKET, SIDE TURN			
H380-51-5E2	2				
51-6A5		SCREW, F. FOG LAMP			
FD01-51-6A5	8	(W/STEEL SUN ROOF) (W/GLASS SUN ROOF)			
51-601A		UNIT, FOG LAMP			
FD01-51-601A	2	(W/STEEL SUN ROOF) (W/GLASS SUN ROOF)			
51-602		HOUSING(R), FOG LAMP			
F100-51-60YA	1	(W/STEEL SUN ROOF) (W/GLASS SUN ROOF)			
51-608		BOLT, SPECIAL			
FD01-51-608	2	(W/STEEL SUN ROOF) (W/GLASS SUN ROOF)			
51-609		SCREW, ADJUST			
F100-51-609	2	(W/STEEL SUN ROOF) (W/GLASS SUN ROOF)			
51-6H2		HOUSING(L), FOG LAMP			
F100-51-69YB	1	(W/STEEL SUN ROOF) (W/GLASS SUN ROOF)			
51-6H7		SCREW, GROMMET			
FD01-51-6H7	2	(W/STEEL SUN ROOF) (W/GLASS SUN ROOF)			
51-614		GASKET			
FD01-51-602	2	(W/STEEL SUN ROOF) (W/GLASS SUN ROOF)			
51-614Y		GASKET(L)			

AUFA06

CAT. AUFA06-04

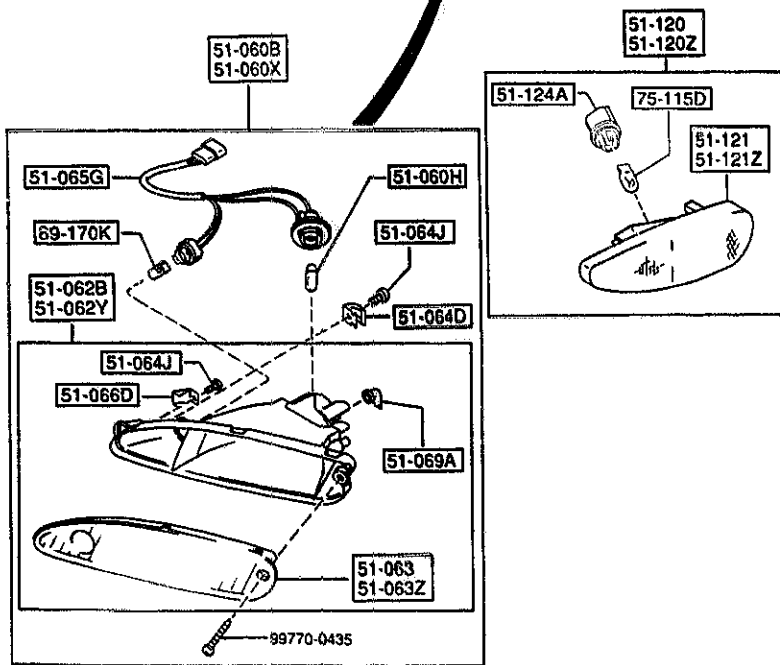
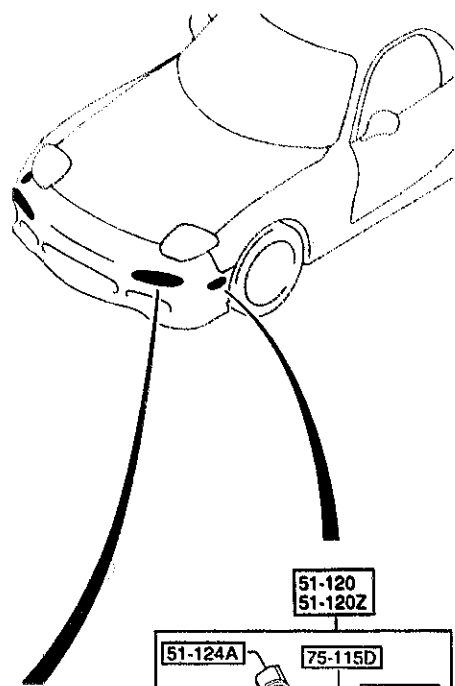
1997-01



5105 FRONT COMBINATION LAMPS

(1/2)

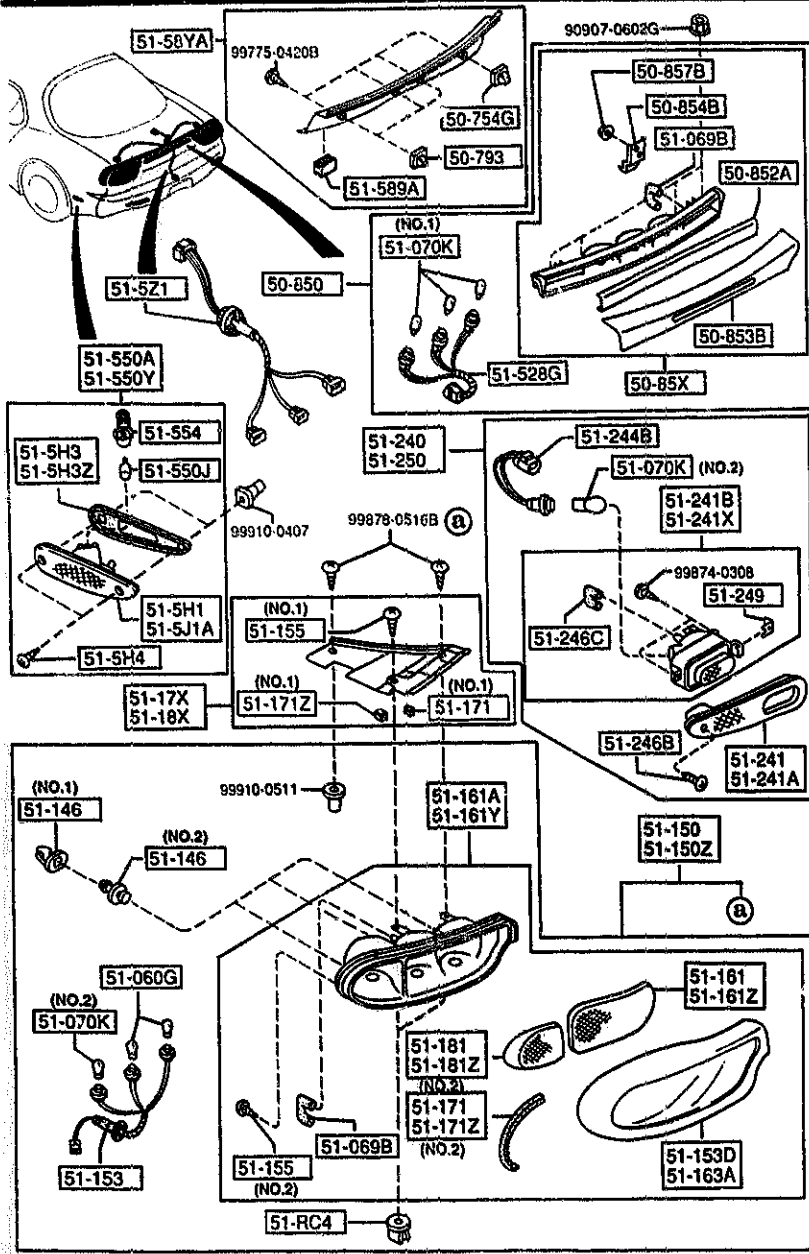
5105 -3 FRONT COMBINATION LAMPS



PART NO.	QTY	MODEL/RESTRICTION	MODEL/RESTRICTION	MODEL/RESTRICTION	FROM-TO
CONT'D FD01-51-692	2	(W/STEEL SUN ROOF) (W/GLASS SUN ROOF)			
51-677A		COVER(R), FOG LAMP			
FD01-51-677	1	(W/STEEL SUN ROOF) (W/GLASS SUN ROOF)			
51-678		COVER(L), FOG LAMP			
FD01-51-678	1	(W/STEEL SUN ROOF) (W/GLASS SUN ROOF)			
51-680B		LAMP(R), F. FOG			
F111-51-680	1	(W/STEEL SUN ROOF) (W/GLASS SUN ROOF)			
51-680C		LAMP(L), F. FOG			
F111-51-690	1	(W/STEEL SUN ROOF) (W/GLASS SUN ROOF)			
51-683A		LENS, FRONT FOG LAMP			
FD01-51-683	2	(W/STEEL SUN ROOF) (W/GLASS SUN ROOF)			
51-684B		BRACKET(R), F. FOG LAMP			
FD01-51-684A	1	(ILLUST. NO. 1) (W/STEEL SUN ROOF) (W/GLASS SUN ROOF)			
FD02-51-684	1	(ILLUST. NO. 2) (W/STEEL SUN ROOF) (W/GLASS SUN ROOF)			
51-684C		BRACKET(L), LAMP-F. FOG			
FD01-51-694A	1	(ILLUST. NO. 1) (W/STEEL SUN ROOF) (W/GLASS SUN ROOF)			
FD02-51-694	1	(ILLUST. NO. 2) (W/STEEL SUN ROOF) (W/GLASS SUN ROOF)			
51-685C		CLIP			
FD01-51-674	4	(W/STEEL SUN ROOF) (W/GLASS SUN ROOF)			
51-686		BULB, FRONT FOG LAMP			
B01A-51-686	2	(W/STEEL SUN ROOF) (W/GLASS SUN ROOF)			



5110 REAR COMBINATION LAMPS



5110 -1 REAR COMBINATION LAMPS

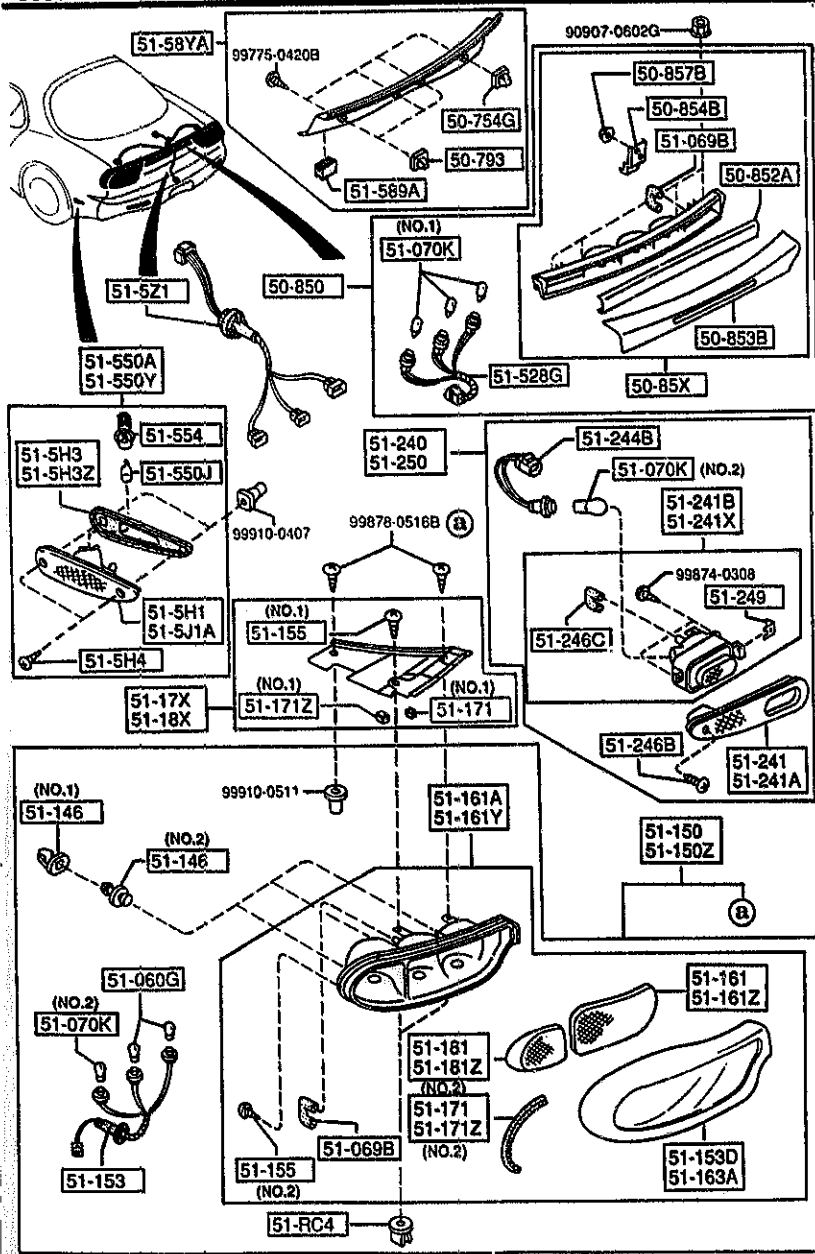
PART NO.	QTY	MODEL/RESTRICTION	MODEL/RESTRICTION	MODEL/RESTRICTION	FROM-TO
50-754G		GROMMET, SCREW			
FD03-50-792	1				
50-793		GROMMET, SCREW			
FD02-50-792	3				
50-85X		LENS & BODY, REAR FINISHER			
FD01-51-59XA A (FD01-51-59XB)	1				-5C26
*FD01-51-59XB	1				5C26-
50-850		FINISHER, REAR			
FD01-50-850C A (FD01-50-850D)	1				-5C26
*FD01-50-850D	1				5C26-
50-852A		LENS, REAR FINISHER			
FD01-51-577	1				-5C26
50-853B		LENS, REAR FINISHER			
FD01-51-591 A (FD01-51-591A)	1				-5C26
*FD01-51-591A	1				5C26-
50-854B		BRACKET, REAR FINISHER			
FD01-51-585	4				
50-857B		NUT, SPEED-REAR FINISHER			
FD01-51-594	8				
51-RC4		GROMMET, SIDE GARNISH			
FD01-51-RC4	4				
51-060G		BULB			
99701-4278	4	12V 27W/8W			
51-069B		TUBE, LAMP-FRONT COMB			
B481-51-069	3				
51-070K		BULB			
99700-7180		A12V 18.4W			
5C26 FD333 -400531					

AUFA06

CAT. AUFA06-04

1997-01

5110 REAR COMBINATION LAMPS



5110 -2 REAR COMBINATION LAMPS

PART NO.	QTY	MODEL/RESTRICTION	MODEL/RESTRICTION	MODEL/RESTRICTION	FROM-TO
CONT'D	3	(ILLUST. NO.1)			
99701-3270	4	12V 27W (ILLUST. NO.2)			
51-146		GROMMET, SCREW-R.COMB			
EA02-51-146A	6	(ILLUST. NO.1)			
EA04-51-146A	6	(ILLUST. NO.2)			
51-150		LAMP SET(R),RR.COMB.			
8BFH-51-150	1				
51-150Z		LAMP SET(L),RR.COMB.			
8BFH-51-160	1				
51-153		SOCKET,RR.COMB.			
FD01-51-155B	2				
51-153D		LENS NO.3(R),RR COMB .LAMP			
FD01-51-153B	1				
51-155		SCREW,RR.COMB.			
FD01-51-143	2	(ILLUST. NO.1)			
FD01-51-144	12	(ILLUST. NO.2)			
51-161		LENS(R),RR.COMB.			
FD01-51-151	1				
51-161A		LENS & BODY(R),RR CO MB.			
FD01-51-170B	1				
51-161Y		LENS & BODY(L),RR CO MB.			
FD01-51-180B	1				
51-161Z		LENS(L),RR.COMB.			
FD01-51-161	1				
51-163A		LENS NO.3(L),RR COMB .LAMP			
FD01-51-163B	1				
51-17X		COVER(R),RR.COMB.			
FD01-51-17XE	1				

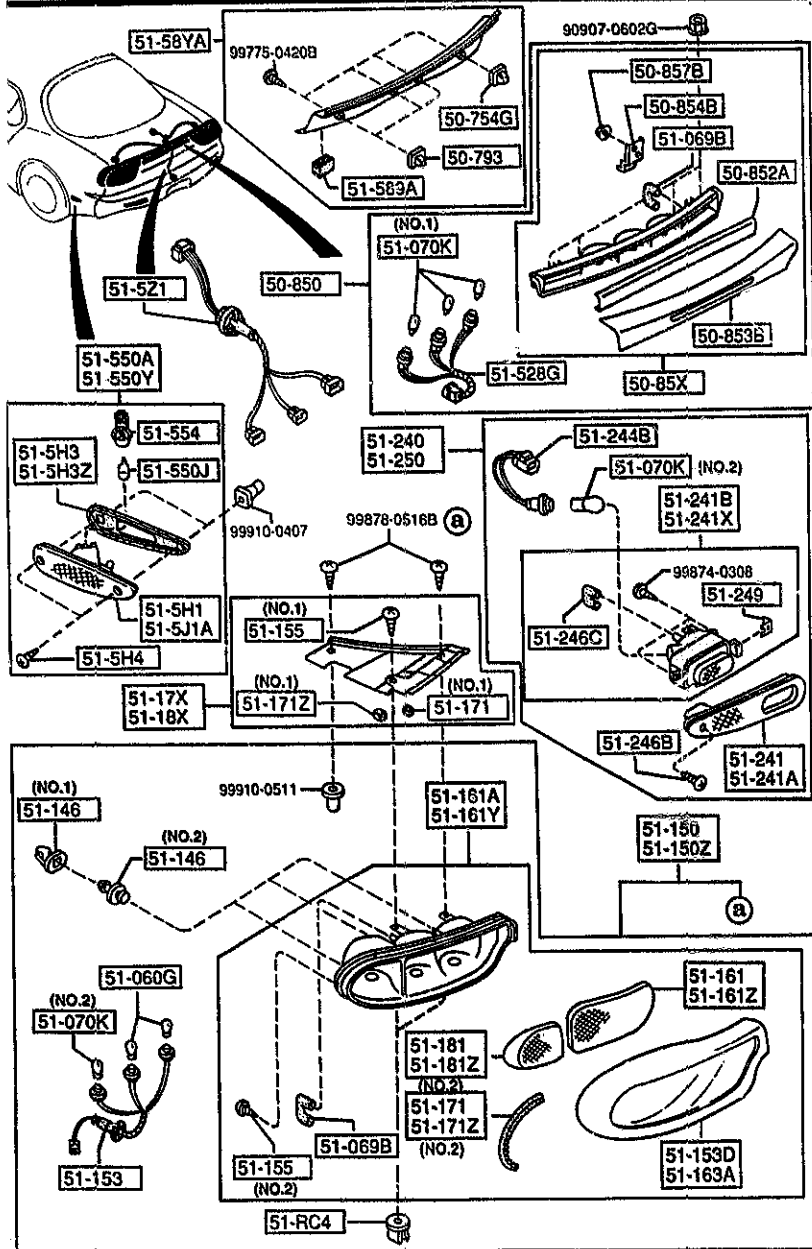
AUFA06

CAT. AUFA06-04

1997-01

5110 REAR COMBINATION LAMPS

5110 -3 REAR COMBINATION LAMPS



PART NO.	QTY	MODEL/RESTRICTION	MODEL/RESTRICTION	MODEL/RESTRICTION	FROM-TO
51-171		PROTECTOR(R),RR.COMB			
FD01-51-173	1	(ILLUST. NO.2)			
FD02-51-159	2	(ILLUST. NO.1)			-4A03
51-171Z		PROTECTOR(L),RR.COMB			
FD02-51-169	4	(ILLUST. NO.1)			
FD01-51-183	1	(ILLUST. NO.2)			
51-18X		COVER(L),RR.COMB.			
FD01-51-18XE	1				
51-181		LENS NO.2(R),RR.COMB			
FD01-51-152	1				
51-181Z		LENS NO.2(L),RR.COMB			
FD01-51-162	1				
51-240		LAMP(R),BACK UP			
FD01-51-240B	1				
51-241		HOUSING(R),BACK UP LAMP			
FD01-51-241B	1				
51-241A		HOUSING(L),BACK UP LAMP			
FD01-51-251B	1				
51-241B		LENS & BODY(R),BACK UP			
FD01-51-24XA	1				
51-241X		LENS & BODY(L),BACK UP			
FD01-51-25XA	1				
51-244B		SOCKET,BACK UP LAMP			
FD01-51-244	2				
51-246B		SCREW,BACK LAMP			
FD01-51-248	2				
51-246C		TUBE,BACK UP LAMP			
FD01-51-246	2				
4A03 FD333 -400014					

AUFA06

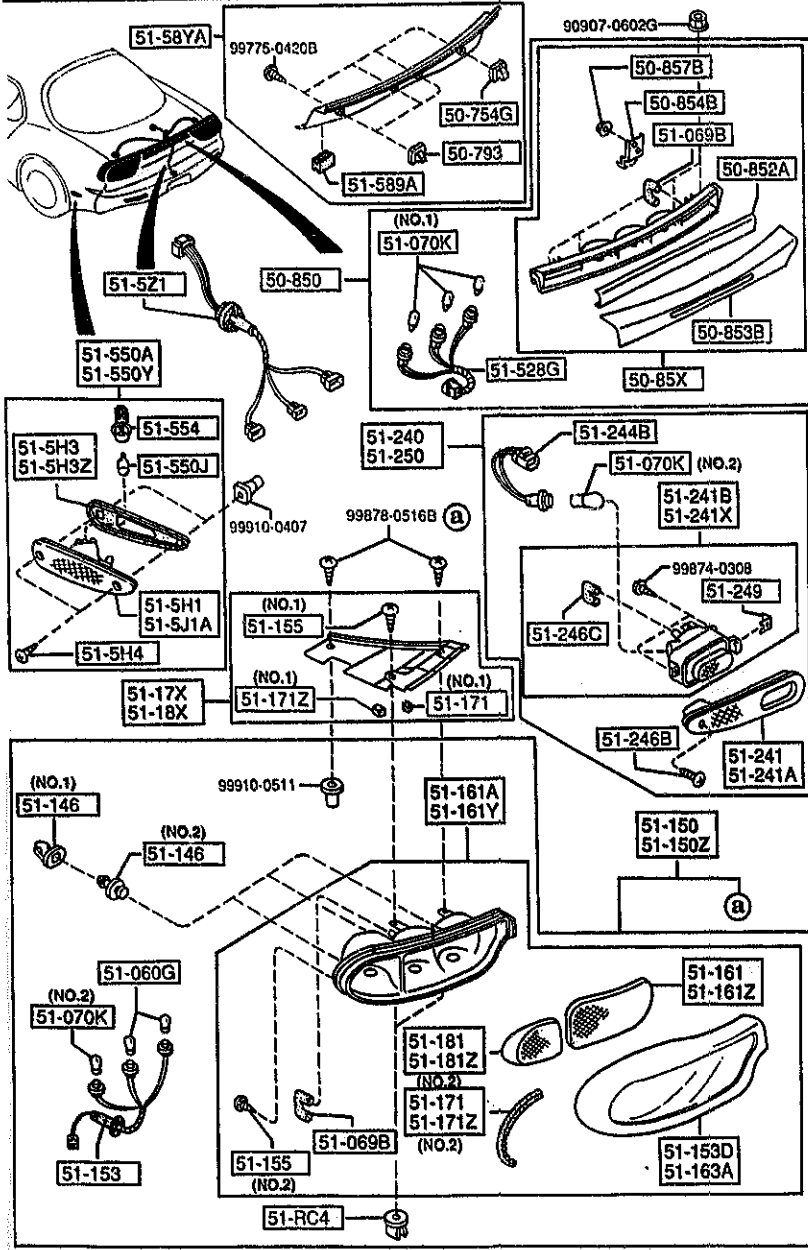
CAT. AUFA06-04

1997-01

2-K11

5110 REAR COMBINATION LAMPS

5110 -4 REAR COMBINATION LAMPS



PART NO.	QTY	MODEL/RESTRICTION	MODEL/RESTRICTION	MODEL/RESTRICTION	FROM-TO
51-249		SPRING, BACK UP LAMP			
FD01-51-249	2				
51-250		LAMP(L), BACK UP			
FD01-51-250B	1				
51-5H1		LENS & BODY(R), RR SIDE TURN			
FD01-51-5H1C	1				
51-5H3		GASKET(R), REAR SIDE			
FD01-51-5H3	1				
51-5H3Z		GASKET(L), REAR SIDE			
FD01-51-5J3	1				
51-5H4		SCREW, REAR SIDE			
FD01-51-5H4	4				
51-5J1A		LENS & BODY(L), RR SIDE TURN			
FD01-51-5J1C	1				
51-521		CORD, LAMP			
FD01-51-521B	1				
51-528B		SOCKET			
FD01-51-584A	1				
51-550A		LAMP(R), SIDE TURN-RR			
FD01-51-5H0D	1				
51-550J		BULB			
99701-6040	2	12V 3.8W			
51-550Y		LAMP(L), SIDE TURN-RR			
FD01-51-5J0D	1				
51-554		SOCKET, RR SIDE TURN LAMP			
FD01-51-5H2	2				
51-58VA		COVER, RR FINISHER			

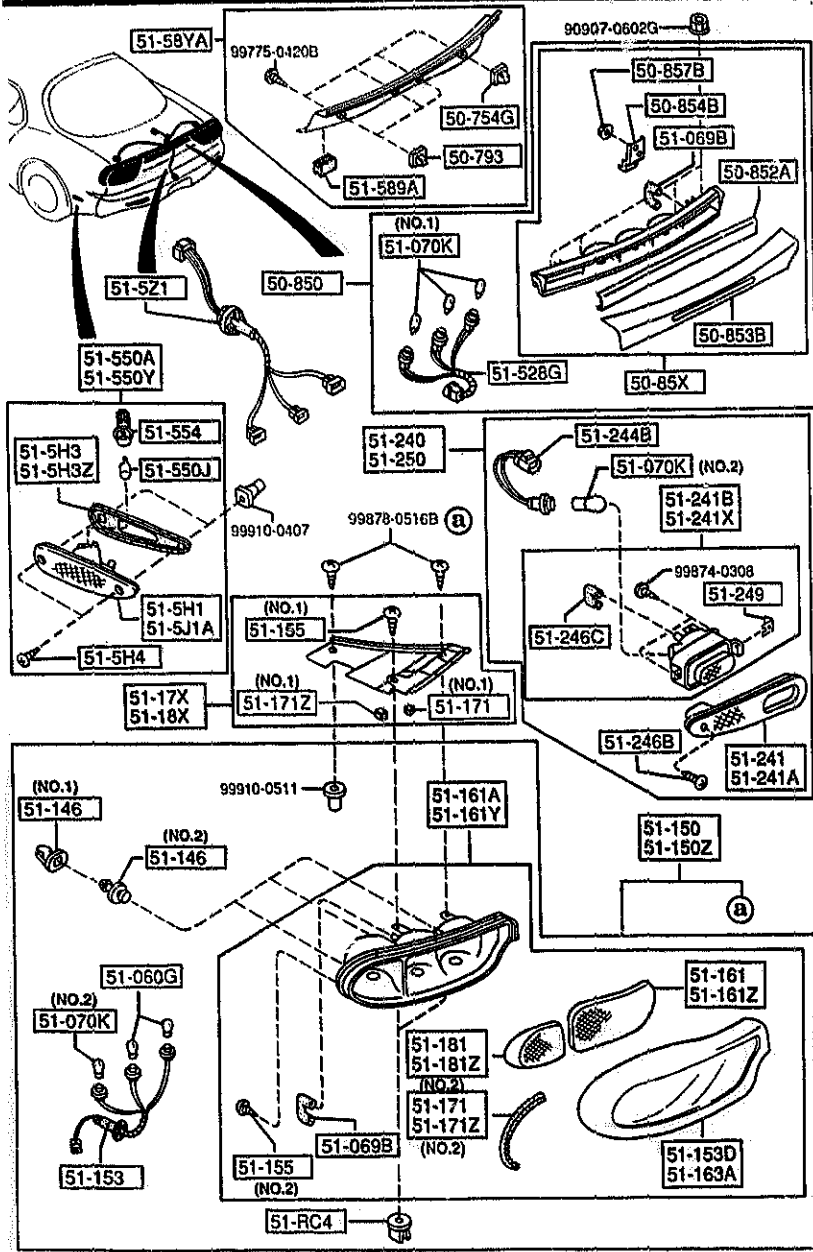
AUFA06

CAT. AUFA06-04

1997-01

5110 REAR COMBINATION LAMPS

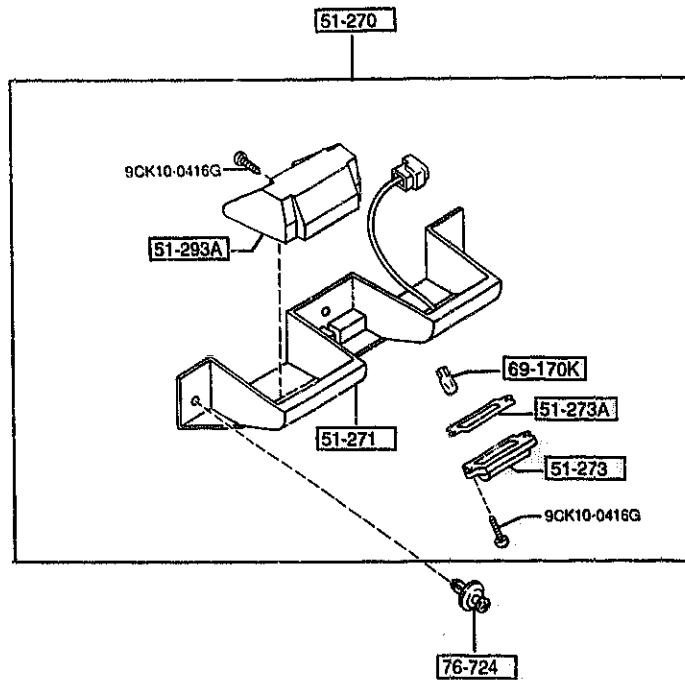
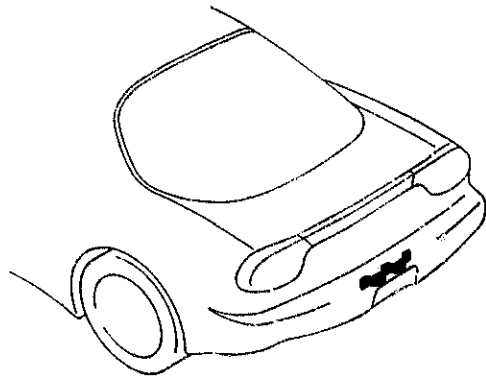
5110 -5 \* REAR COMBINATION LAMPS



PART NO.	QTY	MODEL/RESTRICTION	MODEL/RESTRICTION	MODEL/RESTRICTION	FROM-TO
CONT'D FD01-51-58YC	1				
↑ 51-589A ↓		PROTECTOR, COVER			
FD01-51-589	4				

5120 LICENSE LAMPS

5120 -1 \* LICENSE LAMPS

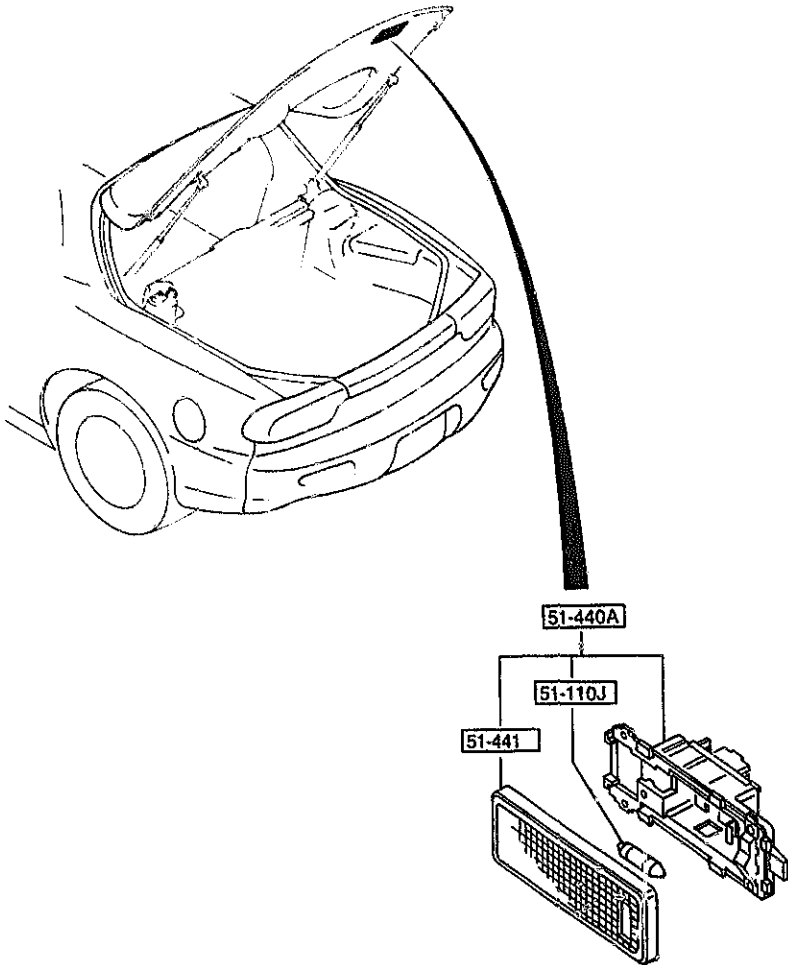


PART NO.	QTY	MODEL/RESTRICTION	MODEL/RESTRICTION	MODEL/RESTRICTION	FROM-TO
51-270		LAMP,LICENSE			
FD01-51-270C	1				
51-271		BRACKET,LICENCE LAMP			
FD01-51-261A	1				
51-273		LENS,LICENCE LAMP			
G225-51-274B	2				
51-273A		GASKET,LICENSE			
G225-51-273	2				
51-293A		COVER,LICENSE LAMP			
FD01-51-293	2				
69-170K		BULB,INTERIOR MIRROR			
99701-605B	2	12V 5W			
76-724		RIVET			
B092-51-833	3				



5125 INTERIOR LAMPS

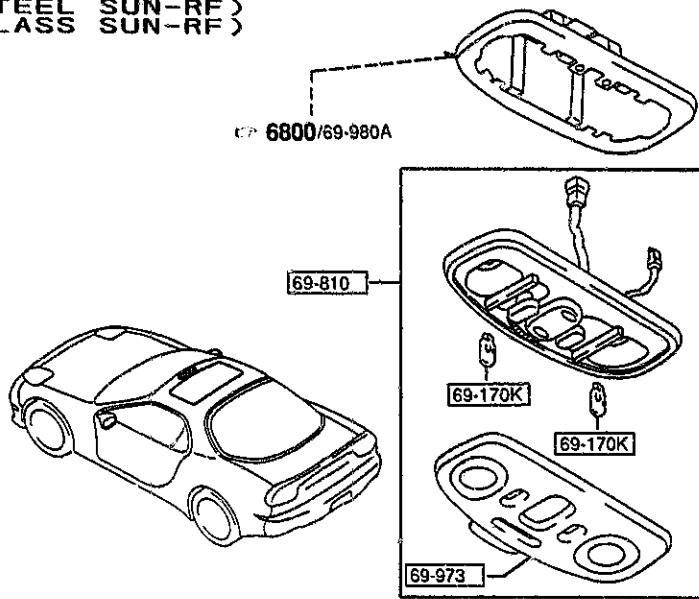
5125 -1 \* INTERIOR LAMPS



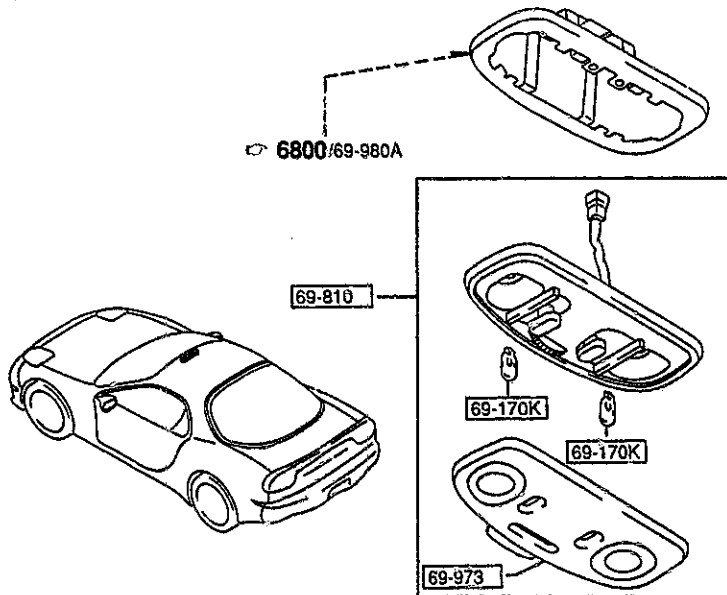
PART NO.	QTY	MODEL/RESTRICTION	MODEL/RESTRICTION	MODEL/RESTRICTION	FROM-TO
51-110J 99700-5080	1	BULB 12V/8W			
51-440A LA01-51-440	1	LAMP,CARGO ROOM			
51-441 G225-51-441	1	LENS			

5130 OVERHEAD CONSOLE

(STEEL SUN-RF)  
(GLASS SUN-RF)



(W/O SUN-RF)



5130 -1 \* OVERHEAD CONSOLE

PART NO.	QTY	MODEL/RESTRICTION	MODEL/RESTRICTION	MODEL/RESTRICTION	FROM-TO
69-170K 99781-6050	2	BULB, INTERIOR MIRROR 12V 5W			
69-810 FD01-69-970D	1	CONSOLE, OVERHEAD (W/STEEL SUN ROOF) (W/GLASS SUN ROOF)			
02	INT-	FE5 FE6 FE7 BLACK			
FD03-69-970D	1	(W/O SUN ROOF)			-5515
02	INT-	FE5 FE6 FE7 BLACK			
FD03-69-970E	1	(W/O SUN ROOF)			5515-
02	INT-	FE5 FE6 FE7 BLACK			
69-973 EA01-69-973	1	LENS, OVERHEAD CONSOL E (W/O SUN ROOF)			
EA05-69-973	1	(W/STEEL SUN ROOF) (W/GLASS SUN ROOF)			
5515 FD333 -400229					

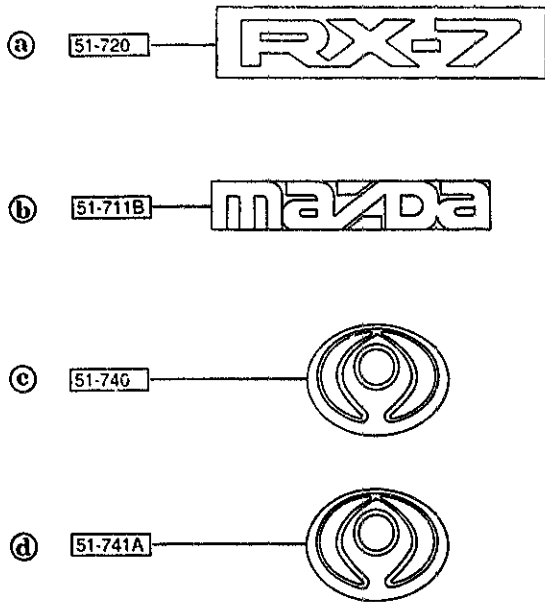
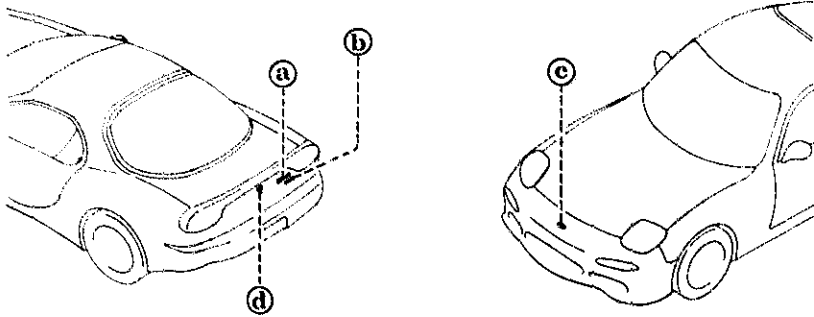
AUFA06

CAT. AUFA06-04

1997-01

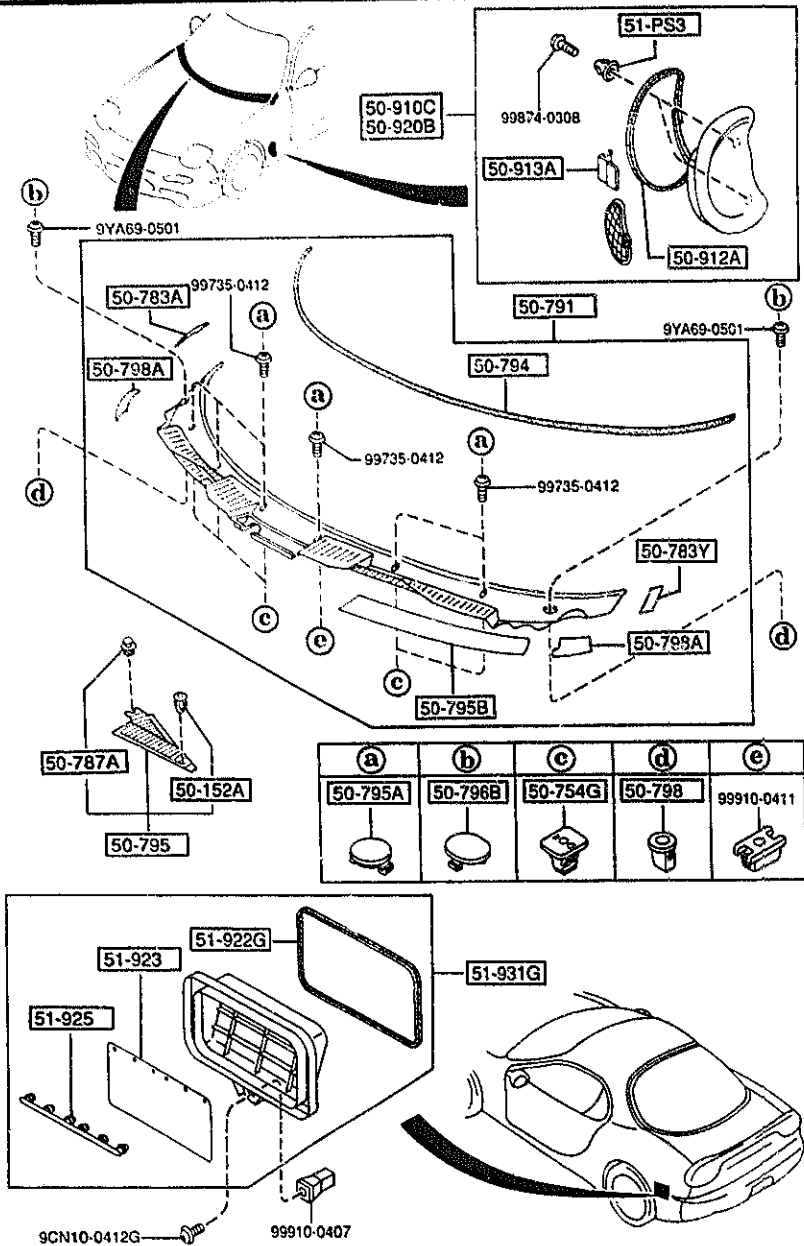
5170 ORNAMENTS

5170 -1 \* ORNAMENTS



PART NO.	QTY	MODEL/RESTRICTION	MODEL/RESTRICTION	MODEL/RESTRICTION	FROM-TO
↑-----↑   51-711B   ↑-----↑ FD01-51-711A	1	ORNAMENT,MAKER NAME-REAR			
↑-----↑   51-720   ↑-----↑ FD01-51-721C	1	ORNAMENT,CAR NAME-REAR			
↑-----↑   51-740   ↑-----↑ FD02-51-731	1	MASCOT,FRONT			
↑-----↑   51-741A   ↑-----↑ FD02-51-741A	1	MASCOT,REAR			

5180 COWL & EXTRACTOR GRILLES



5180 -1 COWL & EXTRACTOR GRILLES

PART NO.	QTY	MODEL/RESTRICTION	MODEL/RESTRICTION	MODEL/RESTRICTION	FROM-TO
50-152A		CLIP			
3597-50-152	1				
50-754G		GROMMET, SCREW			
B482-50-792	5				
50-783A		PROTECTOR(R), COWL GRILLE			
FD01-50-783	1				
50-783Y		PROTECTOR(L), COWL GRILLE			
FD01-50-793	1				
50-787A		FASTENER			
B252-51-PJ5A	1				
50-791		GRILLE, COWL			
FD01-50-790A	1				
50-794		PROTECTOR			
FD01-50-794A	1				
50-795		SAFFLE, COWL			
FD01-50-7P0	1				
50-795A		CAP			
GA7B-50-795	6				
50-795B		PROTECTOR, COWL GRILLE			
FD01-50-795	1				
50-796B		CAP			
E016-50-796	2				
50-798		SCREW, GROMMET			
FD02-50-798	2				
50-798A		PROTECTOR, COWL GRILLE			
FD01-50-798	2				
50-910C		GRILLE(R), FENDER			
FDY2-50-91XB	1				

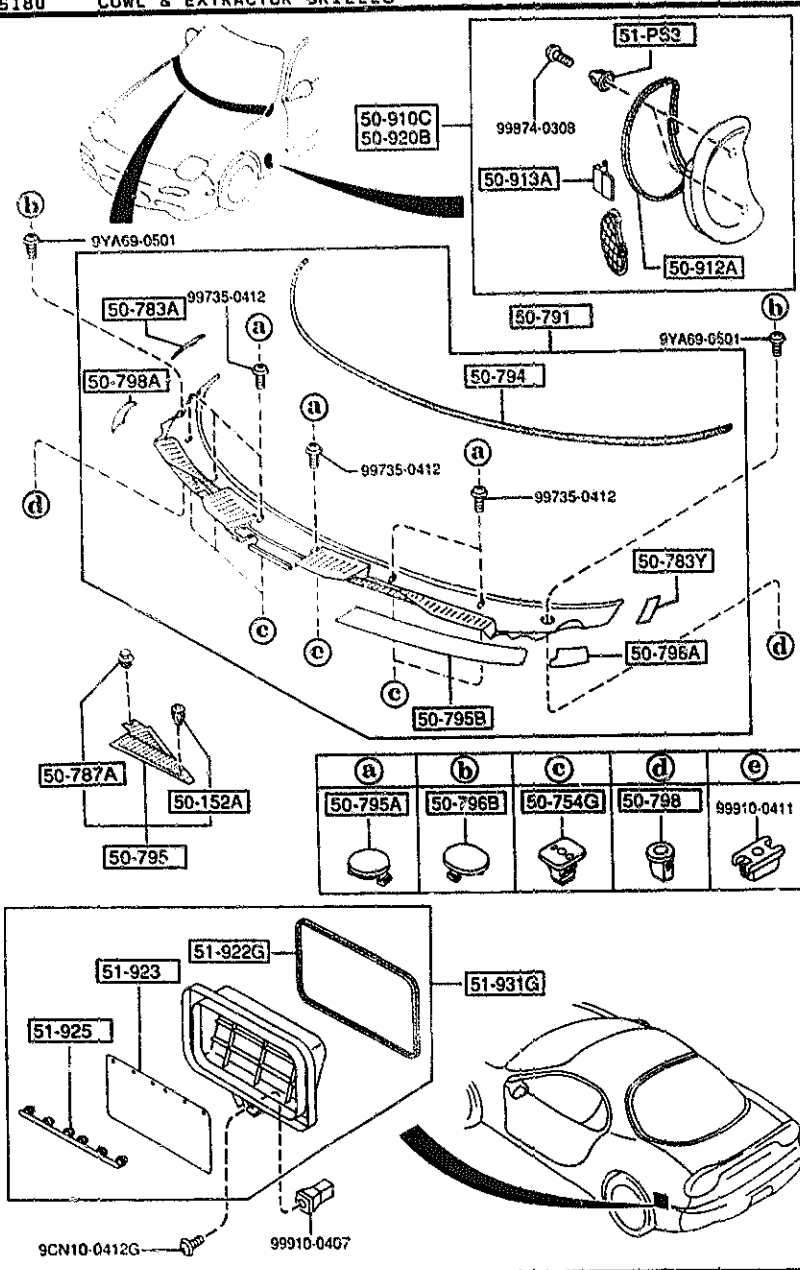
AUFA06

CAT. AUFA06-04

1997-01

5180 -2 \* COWL & EXTRACTOR GRILLES

5180 COWL & EXTRACTOR GRILLES



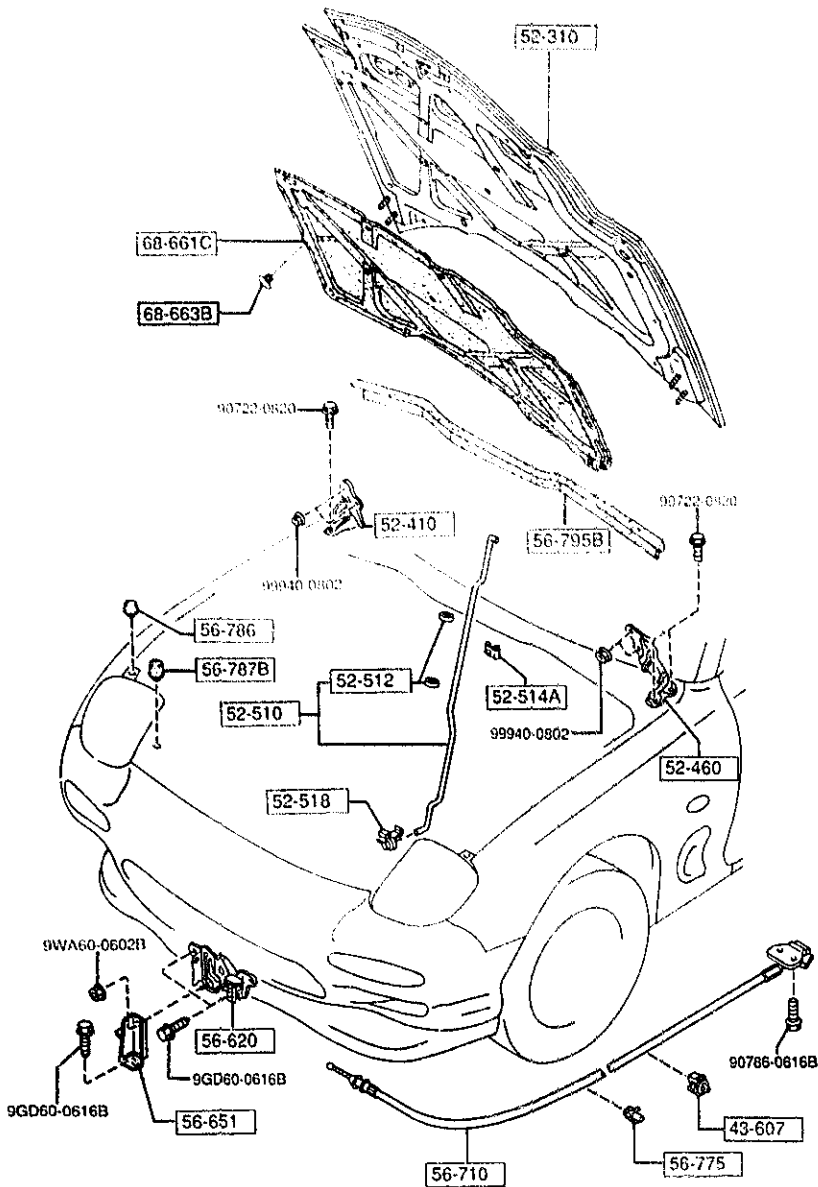
PART NO.	QTY	MODEL/RESTRICTION	MODEL/RESTRICTION	MODEL/RESTRICTION	FROM TO
50-912A		PROTECTOR, FENDER GRILLE			
FD01-50-912	2				
50-913A		CLIP, FENDER GRILLE			
FD01-50-913	2				
50-920E		GRILLE(L), FENDER			
FDV2-50-92XB	1				
51-PS3		CLIP			
FD01-51-PS3	4				
51-922G		GASKET, CHAMBER-EXTRACTOR			
FD01-51-922A	1				
51-923		VALVE, EXTRACT CHAMBER			
FD01-51-923	1				
51-925		RETAINER, CHAMBER-EXTRACTOR			
FD01-51-924	1				
51-931G		CHAMBER, EXTRACTOR			
FD01-51-920B	1				

AUFA06

CAT. AUFA06-04

1997-01

2-G12

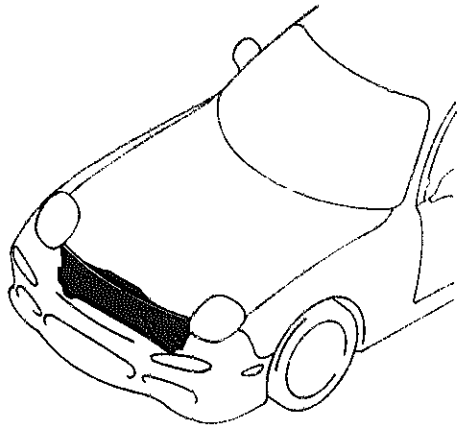


PART NO.	QTY	MODEL/RESTRICTION	MODEL/RESTRICTION	MODEL/RESTRICTION	FROM TO
43-607		CLIP,RR BRAKE PIPE			
GS09-43-607	1				
52-310		BONNET			
FD01-52-310G	1				
52-410		HINGE(R), BONNET			
FD01-52-410B AN(FD01-52-410C)	1				- 5508
FD01-52-410C	1				5508-
52-460		HINGE(L), BONNET			
FD01-52-420B AN(FD01-52-420C)	1				- 5508
FD01-52-420C	1				5508-
52-510		STAY, BONNET			
FD01-56-650	1				
52-512		SPACER, BONNET STAY			
FB01-52-512	2				
52-514A		HOLDER, BONNET STAY-S HROUD			
FD01-56-642	1				
52-518		HOLDER, BONNET STAY			
G144-52-518B	1				
56-620		LOCK, BONNET			
FD01-56-620B	1				
56-651		STAY, LOCK-BONNET			
FD01-56-67X	1				
56-710		WIRE, RELEASE-BONNET			
FD01-56-720C	1				
56-775		CLIP, WIRE-BONNET			
D001-56-731	1				
56-786		RUBBER(C), CUSHION-BO NNET			
5508 FD333 -400229					

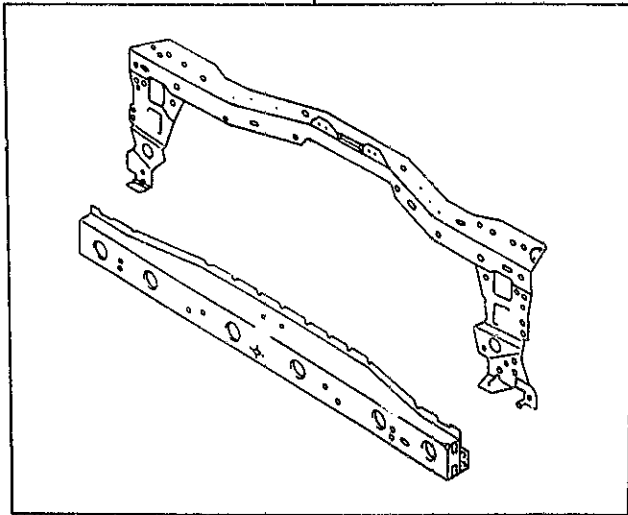


5310 -1 \* FRONT PANELS

5310 FRONT PANELS



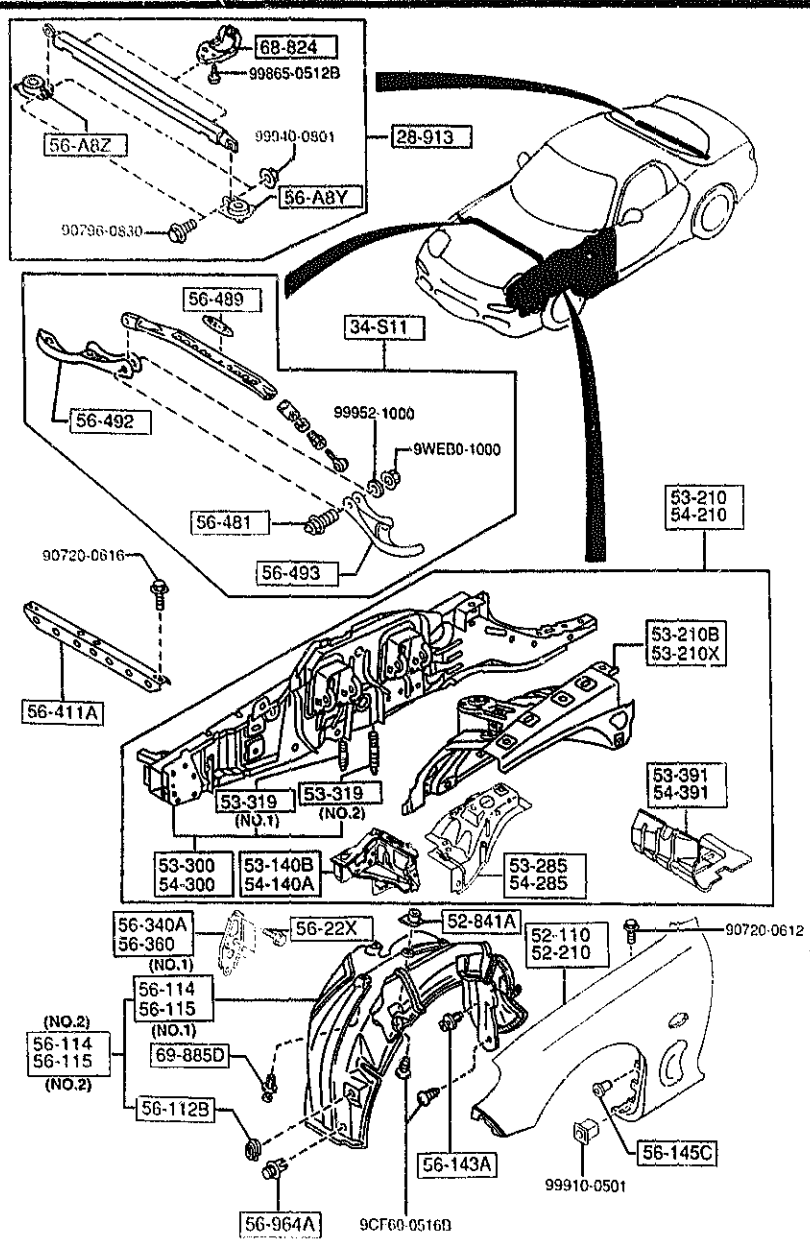
53-162



PART NO.	QTY	MODEL/RESTRICTION	MODEL/RESTRICTION	MODEL/RESTRICTION	FROM-TO
53-162 FD01-53-150A	1	MEMBER,CROSS			



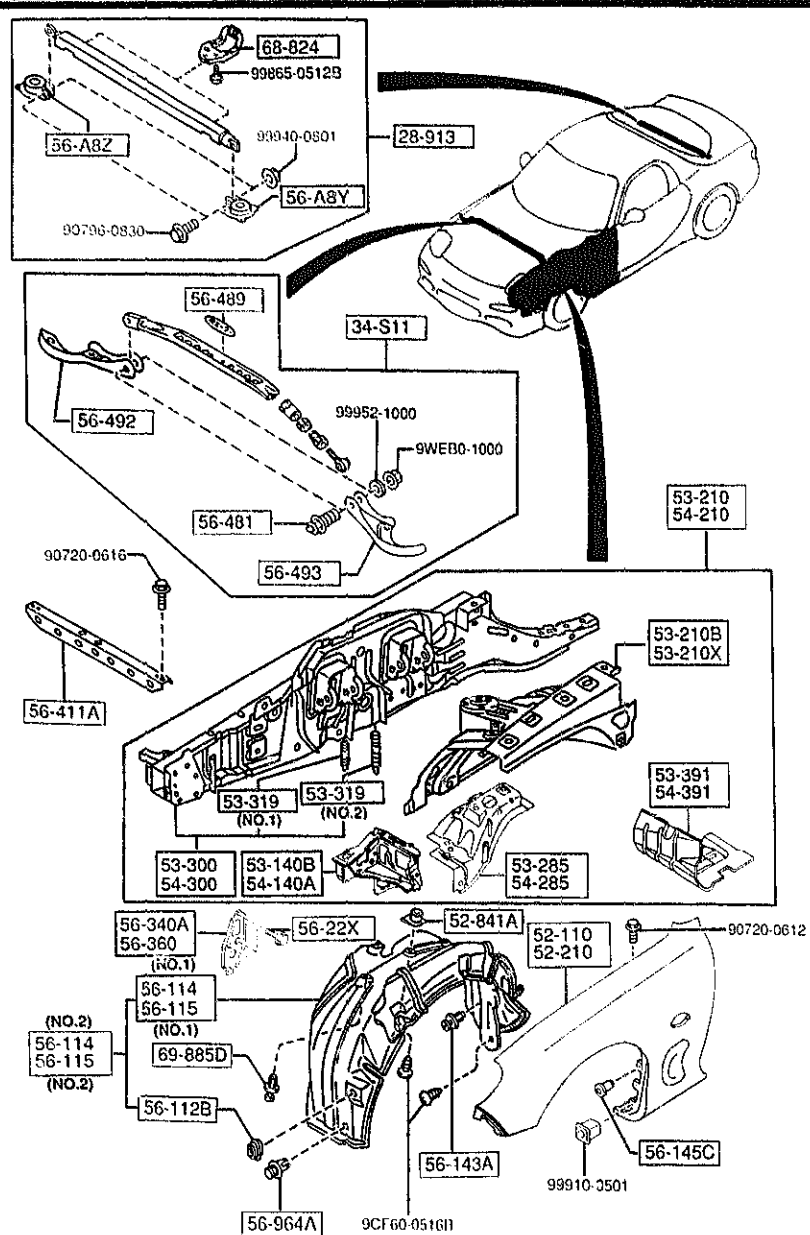
5320 FENDER & WHEEL APRON PANELS



PART NO.	QTY	MODEL/RESTRICTION	MODEL/RESTRICTION	MODEL/RESTRICTION	FROM-TO
28-913		BAR, STRUT			
FD15-56-38Y	1				
34-S11		BAR, STRUT			
F111-56-48Z	1	(HARD SUSP)			
52-110		PANEL(R), FENDER-FRT.			
FD01-52-111D	1				
52-210		PANEL(L), FENDER-FRT.			
FD01-52-211D	1				
52-841A		NUT, CLIP			
B455-56-135	6				
53-140B		PANEL(R), SHROUD-SIDE			
FD01-53-12XJ	1				
53-210		PANEL(R), APRON & FRAME			
FD01-53-200A	1				
53-210B		PANEL(R), WHEEL APRON			
FD01-53-210E	1				
53-210X		PANEL(L), WHEEL APRON			
FD01-54-210F	1				
53-285		REINF. (R), WHL. APRON			
FD01-53-270A	1				
53-300		FRAME(R), SIDE-FRONT			
FD01-53-300M	1				
53-319		BOLT, MOUNT-MEMBER			
FD01-53-317A	2	(ILLUST. NO. 1)			
FD01-53-318	2	(ILLUST. NO. 2)			
53-391		BOX(R), TORQUE			
FD01-53-391	1				

5320 -2 FENDER & WHEEL APRON PANELS

5320 FENDER & WHEEL APRON PANELS



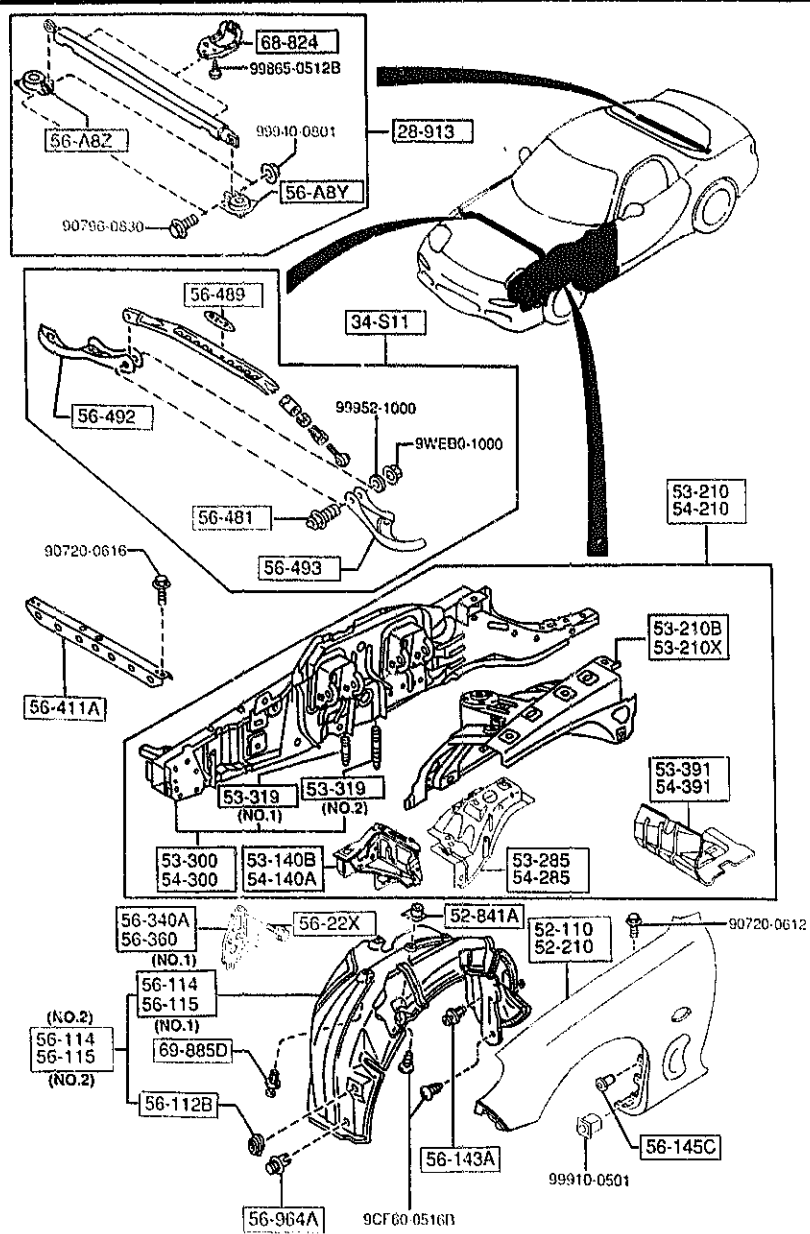
PART NO.	QTY	MODEL/RESTRICTION	MODEL/RESTRICTION	MODEL/RESTRICTION	FROM-TO
54-140A		PANEL(L), SHROUD-SIDE			
FD01-54-12XJ	1				
54-210		PANEL(L), APRON & FRAME			
FD01-54-200A	1				
54-285		REINF.(L), WHL. APRON			
FD01-54-270A	1				
54-300		FRAME(L), SIDE-FRONT			
FD01-54-300N	1				
54-391		BOX(L), TORQUE			
FD01-54-391	1				
56-ABY		BRKT(L), STRUT BAR			
FD01-56-ABY	1				
56-ABZ		BRKT(R), STRUT BAR			
FD01-56-ABZ	1				
56-112B		PLUG, DRAIN			
8092-56-053	2				
56-114		GUARD(R), MUD			
FD01-56-13ZF	1 (ILLUST. NO.1)				
FD01-56-130H	1 (ILLUST. NO.2)				
56-115		GUARD(L), MUD			
FD01-56-14ZF	1 (ILLUST. NO.1)				
FD01-56-140H	1 (ILLUST. NO.2)				
56-143A		RIVET, MUD GUARD			
B455-56-143	2				
56-145C		CLIP, MUD GUARD			
B455-56-145	2				
56-22X		BOLT, TIE DOWN HOOK-FRONT			
FB01-56-22X	6				

AUFA06

CAT. AUFA06-04

1997-01

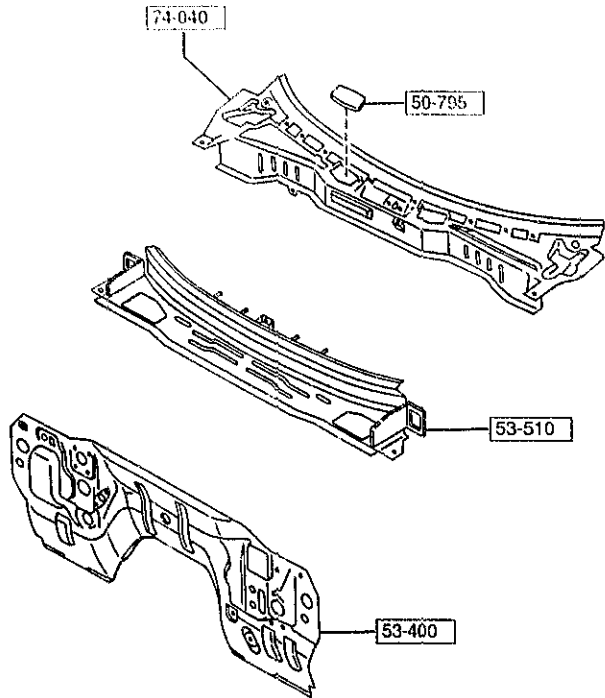
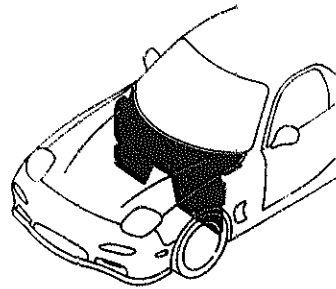
5320 FENDER & WHEEL APRON PANELS



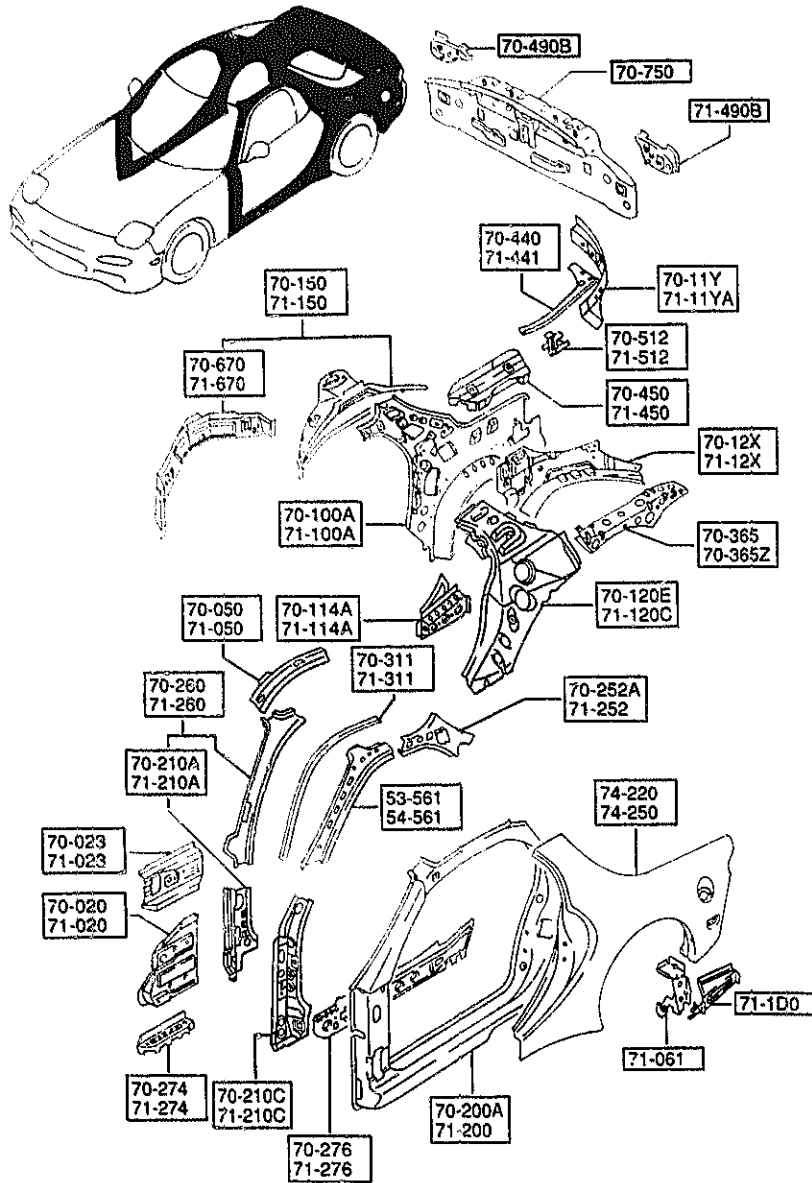
PART NO.	QTY	MODEL/RESTRICTION	MODEL/RESTRICTION	MODEL/RESTRICTION	FROM-TO
56-340A FD01-56-221	1	HOOK(R),TIE DOWN-FRONT			
56-360 FD01-56-231	1	HOOK(L),TIE DOWN-FRONT			
56-411A FD01-56-290A	1	MEMBER,CROSS			
56-481 FD03-56-491	2	BOLT,STRUT BAR (HARD SUSP)			
56-489 FD03-56-489	1	PLATE,LOGO-STRUT BAR (HARD SUSP)			
56-492 F111-56-482	1	PLATE(R),STRUT BAR (HARD SUSP)			
56-493 FD03-56-483A	1	PLATE(L),STRUT BAR (HARD SUSP)			
56-964A FB01-56-964	6	RIVET,SEAL PLATE-SHOULD			
68-824 FD01-68-305	2	HINGE			
69-885D NA01-56-145	16	FASTENER			

5330 DASH & COWL PANELS

5330 -1 \* DASH & COWL PANELS

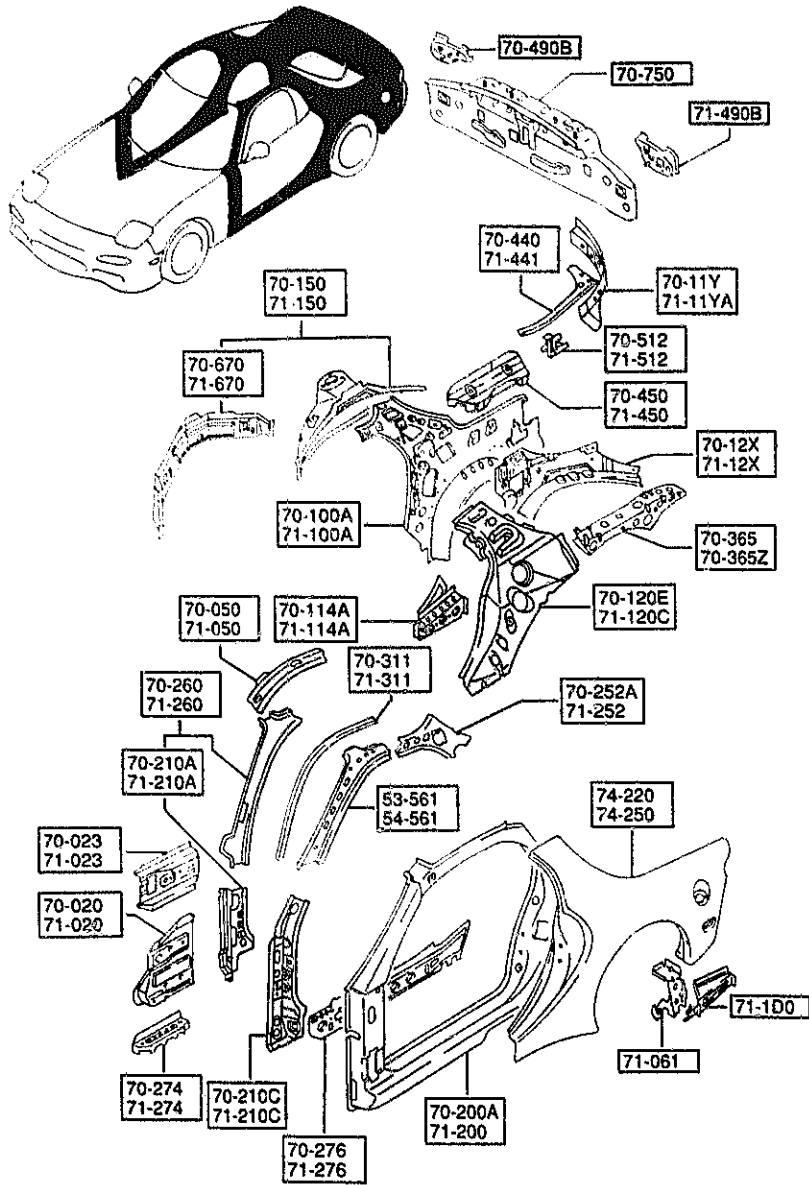


PART NO.	QTY	MODEL/RESTRICTION	MODEL/RESTRICTION	MODEL/RESTRICTION	FROM-TO
50-795 FD01-56-351	1	BAFFLE,COWL			
53-400 FD01-54-400E	1	PANEL,DASH-LOWER (W/O SUN ROOF) (W/STEEL SUN ROOF)			
FD04-54-400E	1	(W/GLASS SUN ROOF)			
53-510 FD15-53-510	1	PANEL,DASH-UPPER			
74-040 FD01-70-610A	1	PANEL,COWL			



PART NO.	QTY	MODEL/RESTRICTION	MODEL/RESTRICTION	MODEL/RESTRICTION	FROM-TO
53-561		REINF.(R),F. PILLAR INNER			
FD01-70-242B	1				
54-561		REINF.(L),F. PILLAR INNER			
FD01-71-242B	1				
70-020		PANEL(R),COWL SIDE			
FD01-70-020B	1				
70-023		REINF.(R),COWL SIDE			
FD01-70-651A	1				
70-050		RAIL(R),ROOF-INNER			
FD01-70-050	1				
70-100A		PANEL(R),REAR PILLAR			
FDY1-70-110A	1				
70-11Y		PILLAR'C'(R),REAR-IN NER			
FD01-70-11Y	1				
70-114A		JUNCTION(R),CORNER-Q /PANE			
FD15-70-11Z	1				
70-12X		REINF.(R),SUSPENSION HSG			
FD01-70-12XA	1				
70-120E		REINF.(R),REAR PILLA R IN.			
FD01-70-120B	1				
70-150		PANEL(R),WHEEL HOUSE			
FD01-70-150D	1				
70-200A		FRAME(R),SIDE-OUTER			
FDV1-70-200	1				
70-210A		PILLAR(R),HINGE			
FD01-70-230A	1				
70-210C		REINF.(R),HINGE			
FD01-70-030D	1				

5340 SIDE PANELS



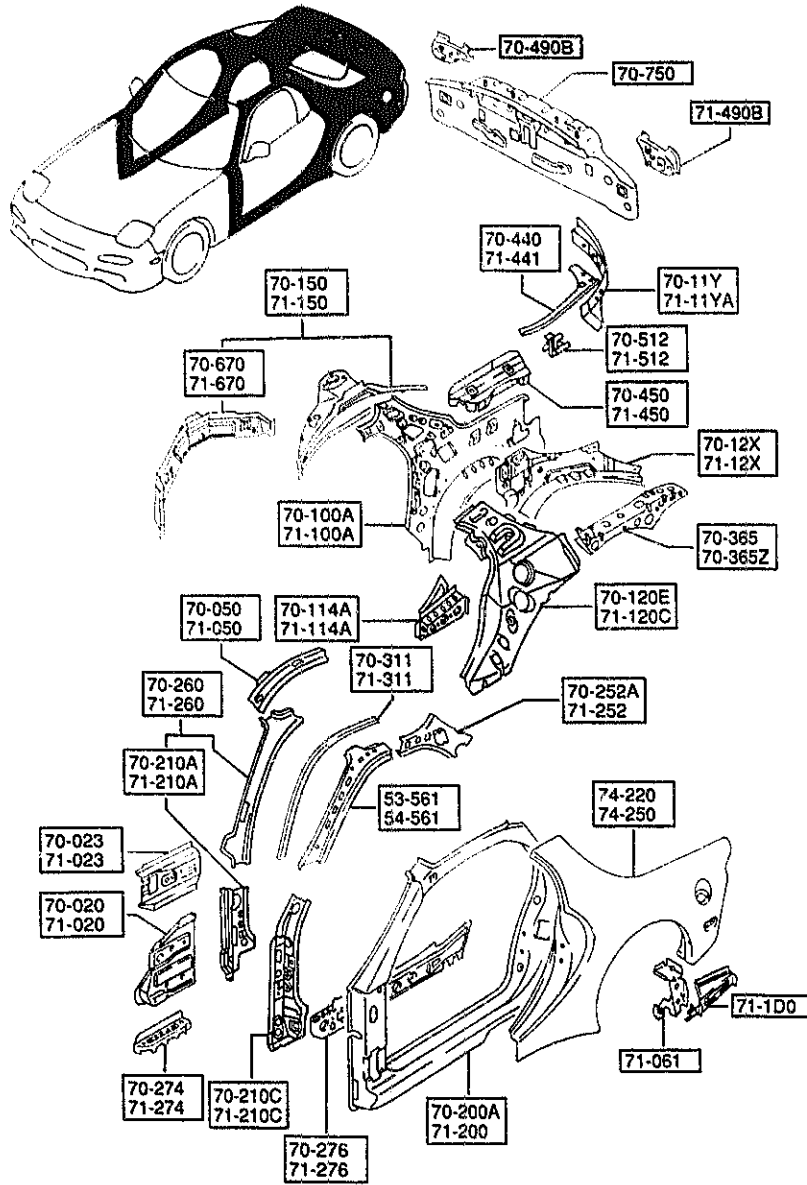
5340 -2 SIDE PANELS

PART NO.	QTY	MODEL/RESTRICTION	MODEL/RESTRICTION	MODEL/RESTRICTION	FROM-TO
70-252A		REINF.(R),ROOF RAIL			
FD01-70-252A	1				
70-260		PILLAR(R),FRT.-INNER			
FDY1-70-24X	1	(W/D SUN ROOF)			
FDY4-70-24X	1	(W/STEEL SUN ROOF) (W/GLASS SUN ROOF)			
70-274		GUSSET(R),SIDE SILL OUTER			
FD01-70-274A	1				
70-276		REINF.(R),SIDE SILL			
FD01-70-272B	1				
70-311		RAIL(R),RAIN			
FD01-70-311A	1				
70-365		REINF.(R),BELT LINE- C.PIL			
FD01-70-130A	1				
70-365Z		REINF.(L),BELT LINE- C.PIL			
FD01-71-131A	1				
70-440		PLATE(R),CORNER			
FD01-70-440B	1				
70-450		PANEL(R),FLOOR SIDE			
FD01-70-1X1	1				
70-490B		BRACKET(R),LAMP			
FD01-70-490B	1				
70-512		BRACKET(R),TRIM-QTR PANEL			
FB01-70-119	1				
70-670		PLATE(R),CLOSING-QTR PANEL			
FD01-70-15XC	1				
70-750		PANEL,REAR END			
FD01-70-750C	1				

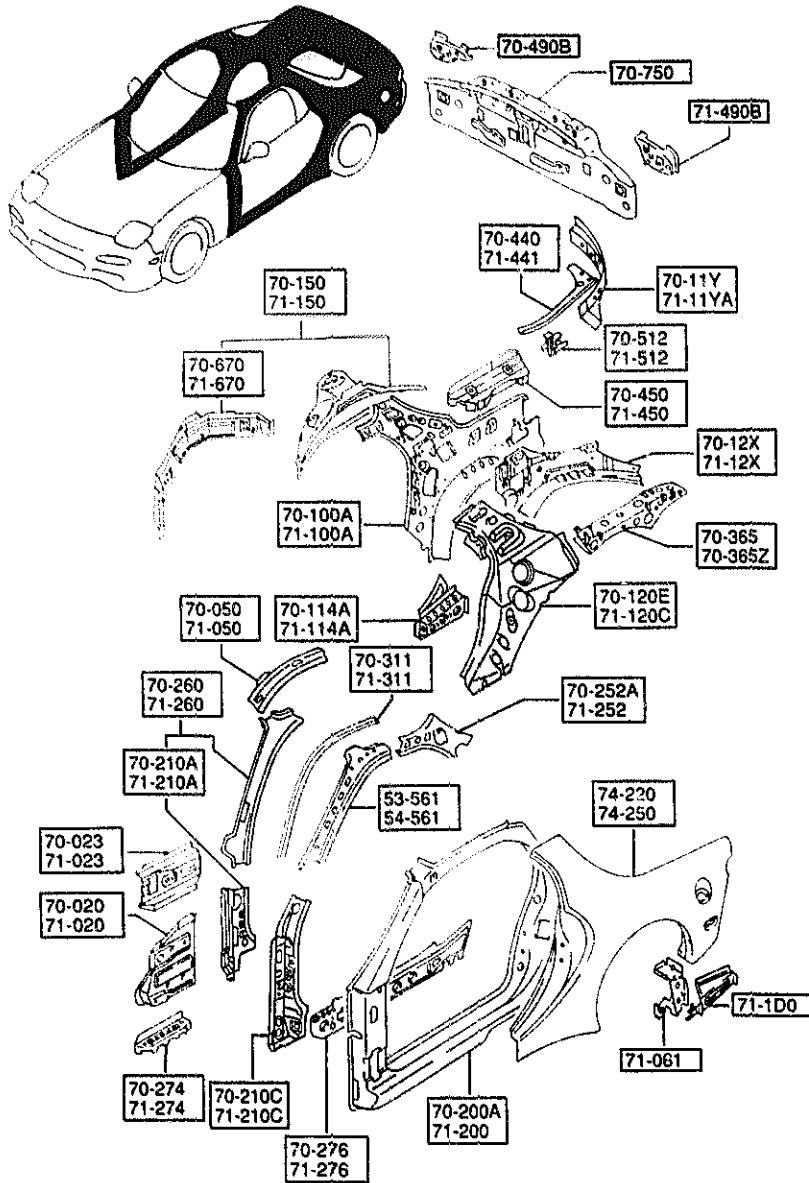
AUFA06

CAT. AUFA06-04

1997-01



PART NO.	QTY	MODEL/RESTRICTION	MODEL/RESTRICTION	MODEL/RESTRICTION	FROM-TO
71-020		PANEL(L),COWL SIDE			
FD01-71-020B	1				
71-023		REINF.(L),COWL SIDE			
FD01-71-651A	1				
71-050		RAIL(L),ROOF-INNER			
FD01-71-050	1				
71-061		GUSSET(L),RR PILLAR			
FD01-71-180A	1				
71-1D0		REINF.(L),FLOOR SIDE			
FD01-71-1D0	1				
71-100A		PANEL(L),REAR PILLAR			
FDV1-71-110A	1				
71-11YA		PILLAR'C'(L),REAR-INNER			
FD01-71-11Y	1				
71-114A		JUNCTION(L),CORNER-Q/PANE			
FD15-71-11Z	1				
71-12X		REINF.(L),SUSPENSION HSG			
FD01-71-12XB	1				
71-120C		REINF.(L),REAR PILLAR IN.			
FD01-71-120B	1				
71-150		PANEL(L),WHEEL HOUSE			
FD01-71-150E	1				
71-200		FRAME(L),SIDE-OUTER			
FDV1-71-200	1				
71-210A		PILLAR(L),HINGE			
FD01-71-230A	1				
71-210C		REINF.(L),HINGE			
FD01-71-030D	1				

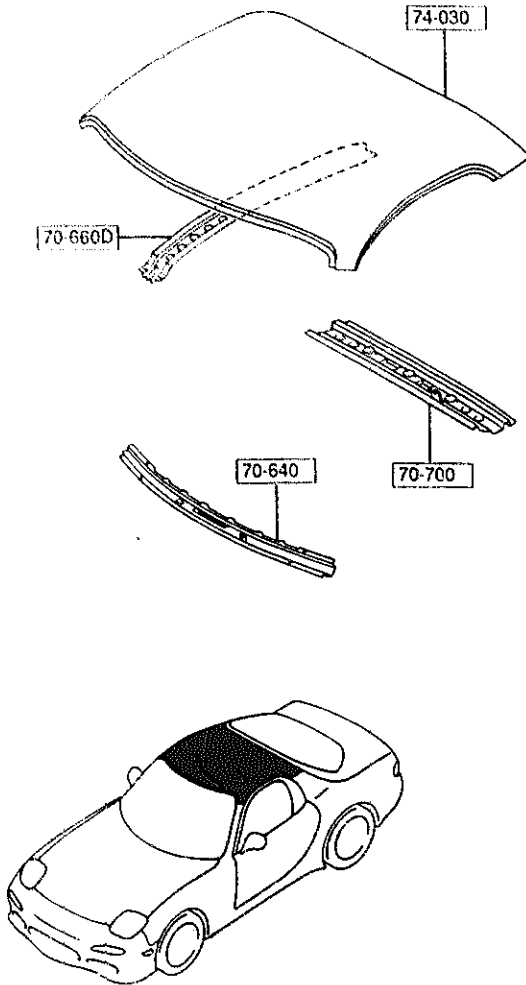


PART NO.	QTY	MODEL/RESTRICTION	MODEL/RESTRICTION	MODEL/RESTRICTION	FROM-TO
71-252		REINF.(L),ROOF RAIL			
FD01-71-252A	1				
71-260		PILLAR(L),FRT.-INNER			
FDV1-71-24X	1	(W/O SUN ROOF)			
FDY4-71-24X	1	(W/STEEL SUN ROOF) (W/GLASS SUN ROOF)			
71-274		GUSSET(L),SIDE SILL OUTER			
FD01-71-274A	1				
71-276		REINF.(L),SIDE SILL			
FD01-71-272B	1				
71-311		RAIL(L),RAIN			
FD01-71-311A	1				
71-441		PLATE(L),CORNER			
FD01-71-440B	1				
71-450		PANEL(L),FLOOR SIDE			
FD01-71-1X1	1				
71-490B		BRACKET(L),LAMP			
FD01-71-490B	1				
71-512		BRACKET(L),TRIM-QTR PANEL			
FD01-71-119	1				
71-670		PLATE(L),CLOSING-QTR PANEL			
FD01-71-15XD	1				
74-220		PANEL(R),FENDER-REAR			
FDV1-70-400B	1				
74-250		PANEL(L),FENDER-REAR			
FDY1-71-400B	1				



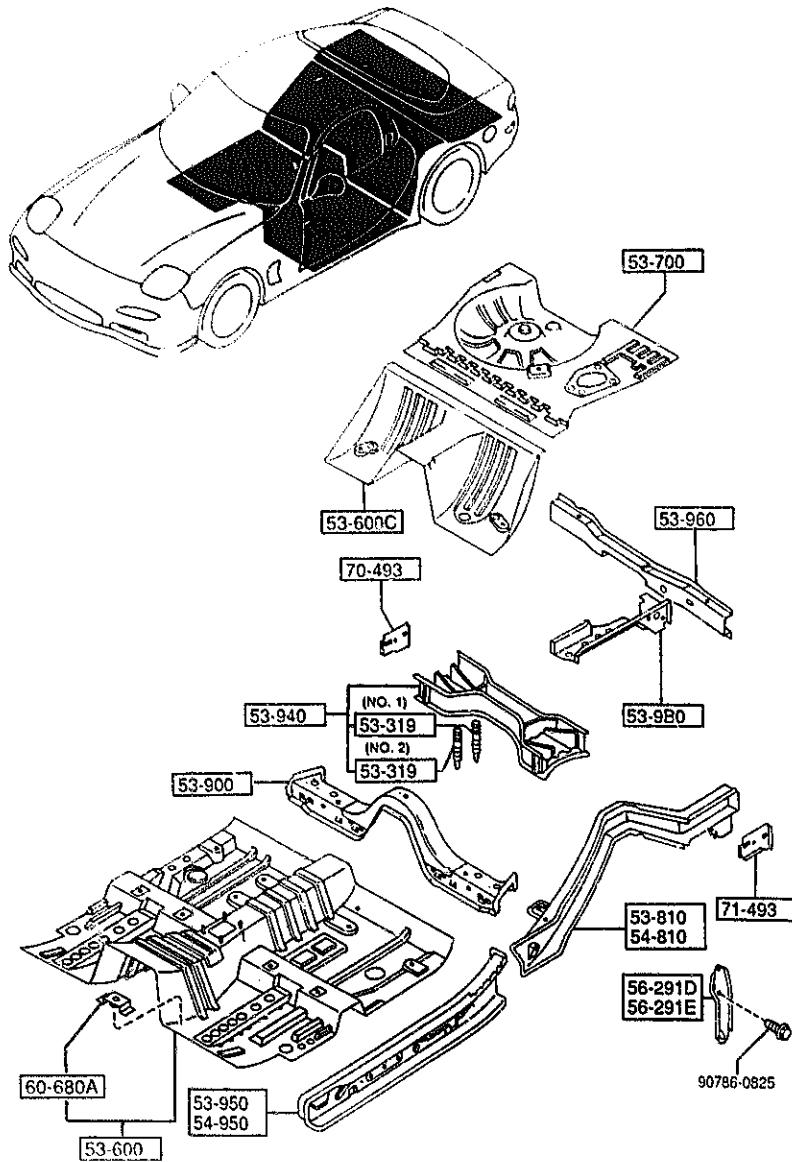
5360 ROOF PANELS

5360 -1 \* ROOF PANELS



PART NO.	QTY	MODEL/RESTRICTION	MODEL/RESTRICTION	MODEL/RESTRICTION	FROM TO
70-640		HEADER,FRONT			
FD01-70-640	1				
70-660D		REINF.,ROOF			
FD01-70-661	1	(W/O SUN ROOF)			
70-700		HEADER,REAR			
FD01-70-700B	1				
74-030		PANEL,ROOF			
FD04-70-600B	1	(W/STEEL SUN ROOF) (W/GLASS SUN ROOF)			
FD01-70-601A	1	(W/O SUN ROOF)			

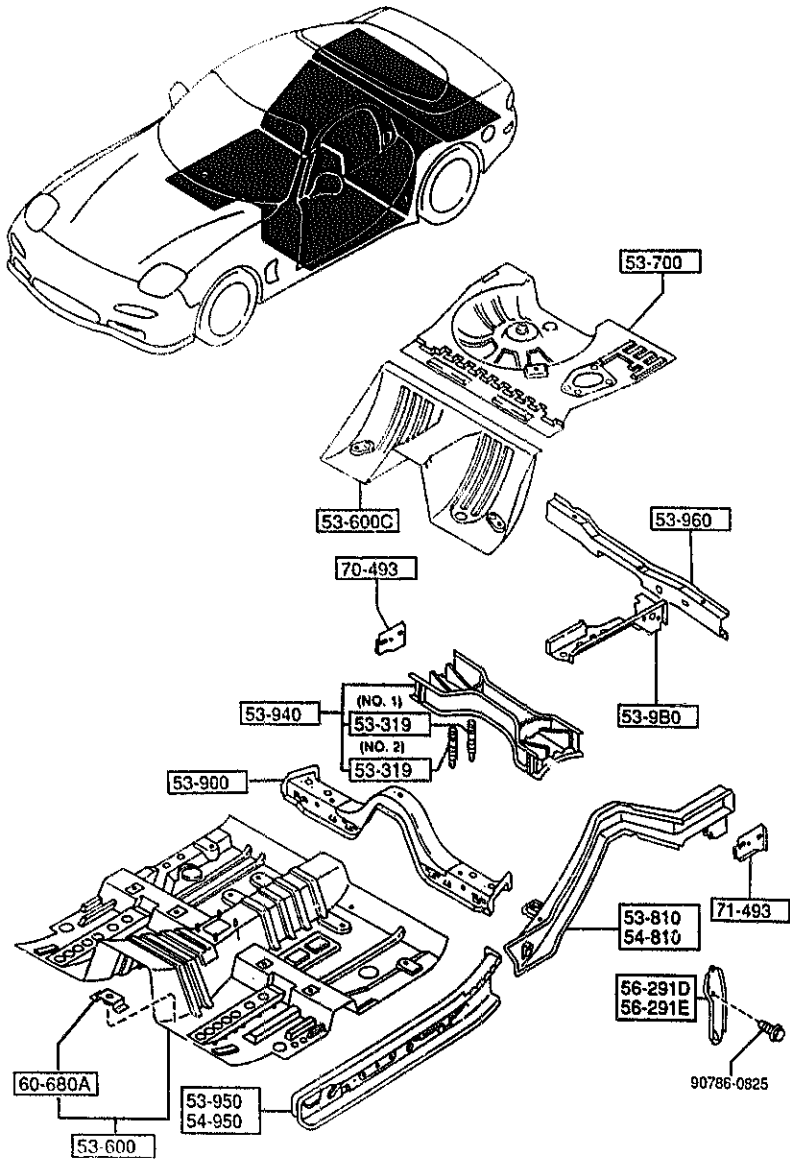
5370 FLOOR PANELS



PART NO.	QTY	MODEL/RESTRICTION	MODEL/RESTRICTION	MODEL/RESTRICTION	FROM-TO
53-319		BOLT, MOUNT-MEMBER			
FD01-53-317A	2	(ILLUST. NO.1)			
FD01-53-318	2	(ILLUST. NO.2)			
53-600		PAN, FLOOR-FRONT			
FDY1-53-600A	1				
53-600C		PAN, FLOOR-CENTER			
FDY1-53-720	1				
53-700		PAN, FLOOR-REAR			
FDY1-53-710	1				
53-810		FRAME(R), REAR SIDE			
FD01-53-810F	1				
53-980		FRAME, CENTER-REAR SIDE			
FD01-53-980A	1				
53-900		MEMBER NO.3, CROSS			
FD01-53-910B	1				
53-940		MEMBER NO.4, CROSS			
FD01-53-930C	1				
53-950		PANEL(R), SIDE SILL			
FD01-53-950B	1				
53-960		MEMBER NO.5, CROSS			
FD01-53-940A	1				
54-810		FRAME(L), REAR SIDE			
FD01-54-810H	1				
54-950		PANEL(L), SIDE SEAL			
FD01-54-950A	1				
56-291D		HOOK(R), TIE DOWN			
FD01-56-251B	1				

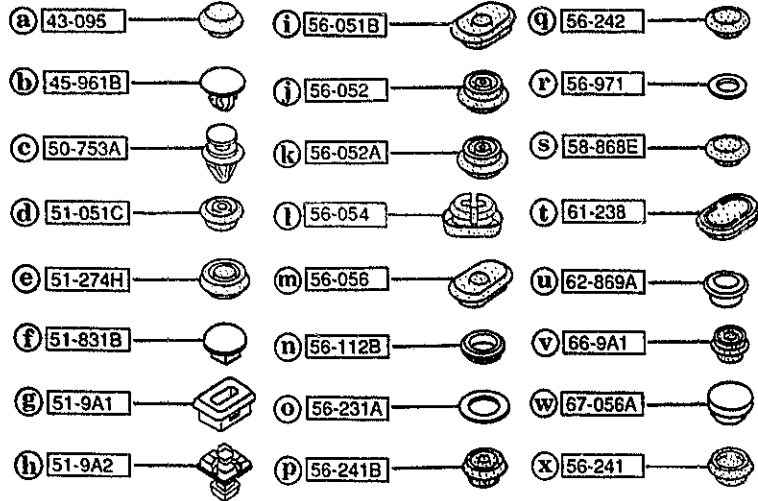
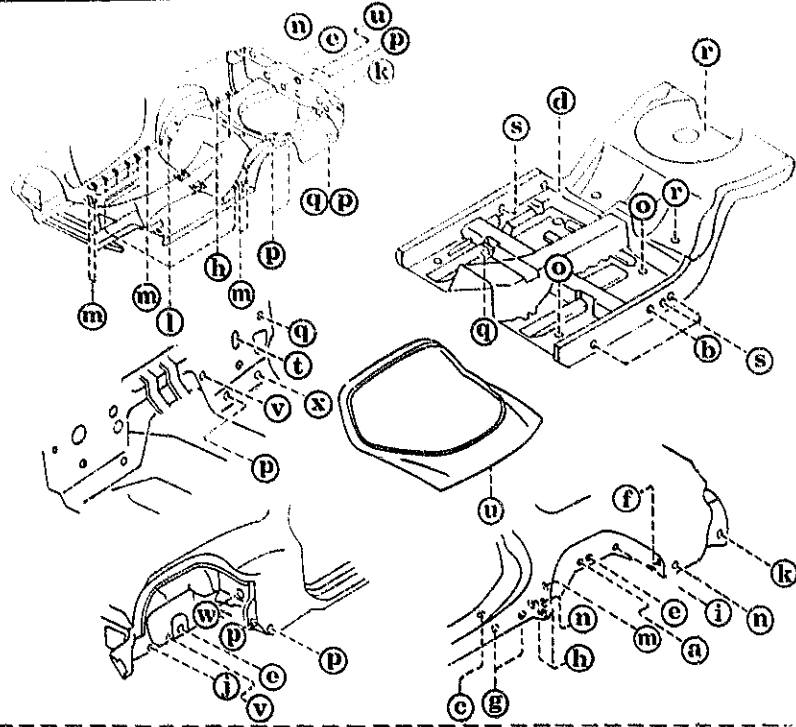
5370 -2 \* FLOOR PANELS

5370 FLOOR PANELS



PART NO.	QTY	MODEL/RESTRICTION	MODEL/RESTRICTION	MODEL/RESTRICTION	FROM-TO
56-291E		HOOK(L),TIE DOWN			
FD01-56-252B	1				
60-680A		BRACKET,FLOOR			
0305-53-160	2				
70-493		PLATE(R),CLOSING-R.F ENDER			
FD01-53-781B	1				
71-493		PLATE(L),CLOSING-R.F ENDER			
FD01-54-781B	1				

5380 FLOOR ATTACHMENTS (HOLE COVERS)



5380 -1 FLOOR ATTACHMENTS (HOLE COVERS)

PART NO.	QTY	MODEL/RESTRICTION	MODEL/RESTRICTION	MODEL/RESTRICTION	FROM-TO
43-095		GROMMET			
H001-43-095	2				
45-961B		CAP			
H002-45-961	3	(W/O HEAD LAMP CLEANER)			
50-753A		FASTENER			
FD01-50-753	2				
51-051C		PLUG, HOLE			
BR70-51-264	1	(W/O HEAD LAMP CLEANER)			
51-274H		GROMMET			
BF67-51-261	6				
51-831B		PLUG, HOLE-FLAP			
DA14-51-831	2				
51-9A1		PLUG*A*, BLIND-S. SPOILER			
FB03-51-9A1	4				
51-9A2		PLUG*B*, BLIND-S. SPOILER			
FB03-51-9A2	8				
56-051B		COVER, HOLE			
GA5R-56-051	2				
56-052		PLUG, DRAIN			
B092-56-052	2	D=12MM			
56-052A		PLUG, HOLE-F. SIDE FRAME			
H260-56-052	3				
56-054		PLUG, HOLE			
FD01-56-051	4				
56-056		COVER, HOLE			
GA5R-56-052	22				

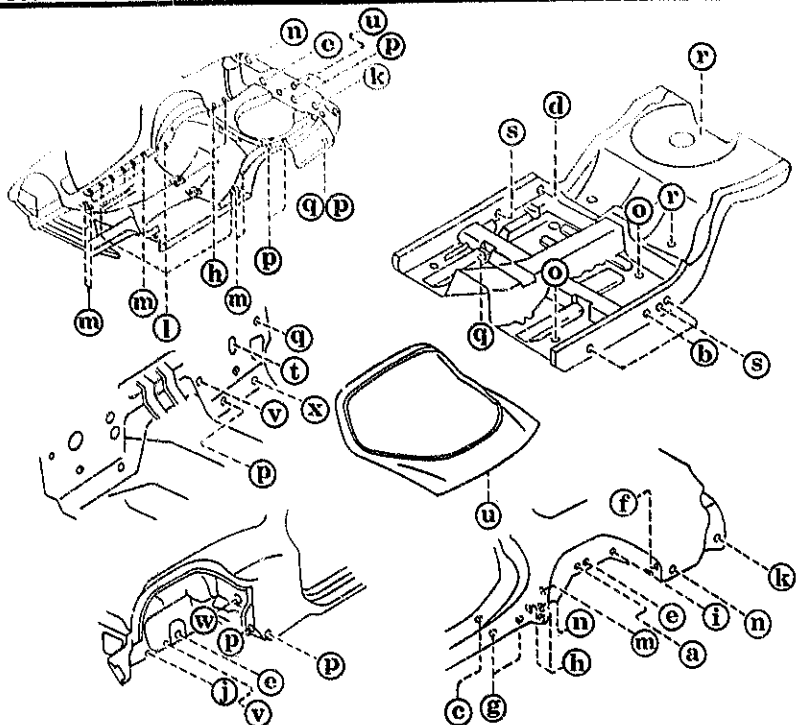
AUFA06

CAT. AUFA06-04

1997-01

5380 FLOOR ATTACHMENTS (HOLE COVERS)

5380 -2 \* FLOOR ATTACHMENTS (HOLE COVERS)



- a 43-095      i 56-051B      q 56-242
- b 45-961B      j 56-052      r 56-971
- c 50-753A      k 56-052A      s 58-868E
- d 51-051C      l 56-054      t 61-238
- e 51-274H      m 56-056      u 62-869A
- f 51-831B      n 56-112B      v 66-9A1
- g 51-9A1      o 56-231A      w 67-056A
- h 51-9A2      p 56-241B      x 56-241

PART NO.	QTY	MODEL/RESTRICTION	MODEL/RESTRICTION	MODEL/RESTRICTION	FROM TO
56-112B		PLUG,DRAIN			
FB01-56-057	6				
56-231A		COVER,SERVICE HOLE			
8173-56-053	4				
56-241		PLUG,DRAIN			
0118-56-241	1	(W/AIR CON.)			
0118-56-241	2	(W/O AIR CON.)			
56-241B		PLUG			
8001-56-051	10				
56-242		PLUG,DRAIN			
0118-56-242B	6				
56-971		COVER,HOLE			
0866-56-971	3				
58-868E		PLUG,SERVICE COVER			
0559-58-868	2				
61-238		GROMMET,REAR FLOOR			
H260-61-238	1				
62-869A		PLUG,DRAIN-LIFT GATE UP.			
B216-62-869	2				
66-9A1		COVER,HOLE-ANTENNA			
KA01-66-9A1	2	(W/O SUN ROOF) (W/STEEL SUN ROOF)			
KA01-66-9A1	3	(W/GLASS SUN ROOF)			
67-056A		COVER,HOLE			
FD01-67-HD1	1	(W/O HEAD LAMP CLEANER)			

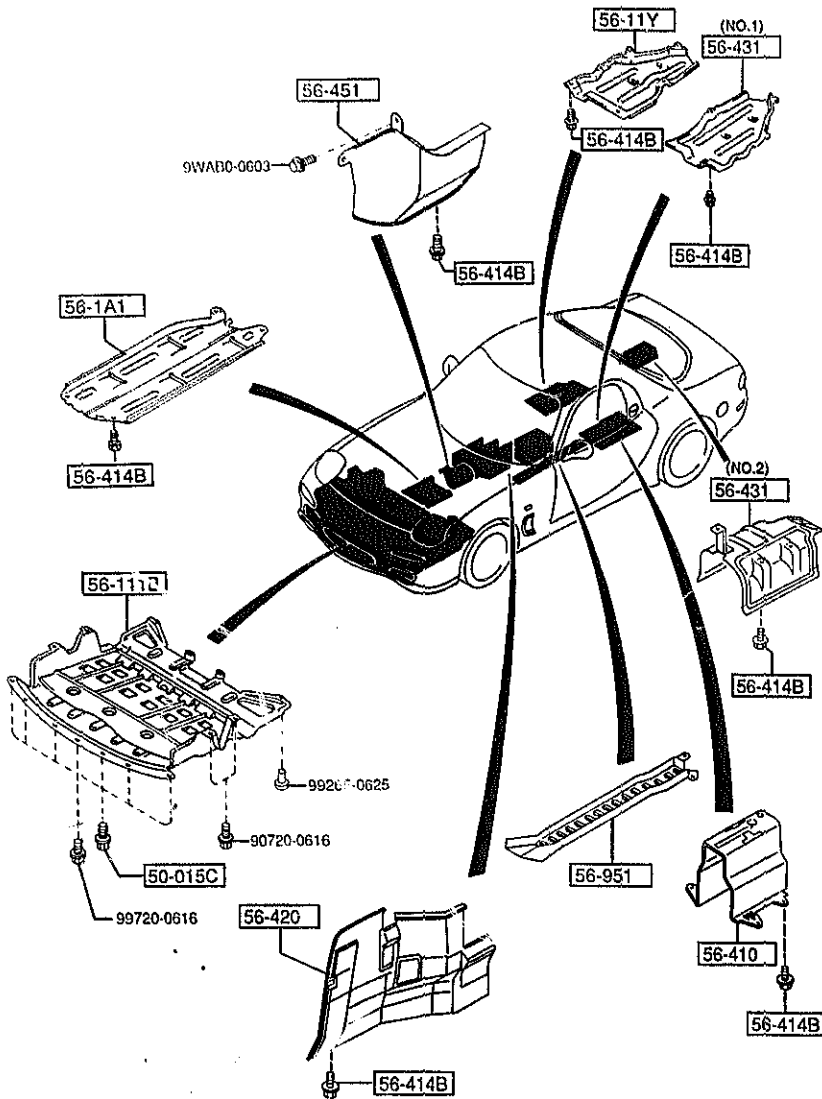
AUFA06

CAT. AUFA06-04

1997-01

2-K13

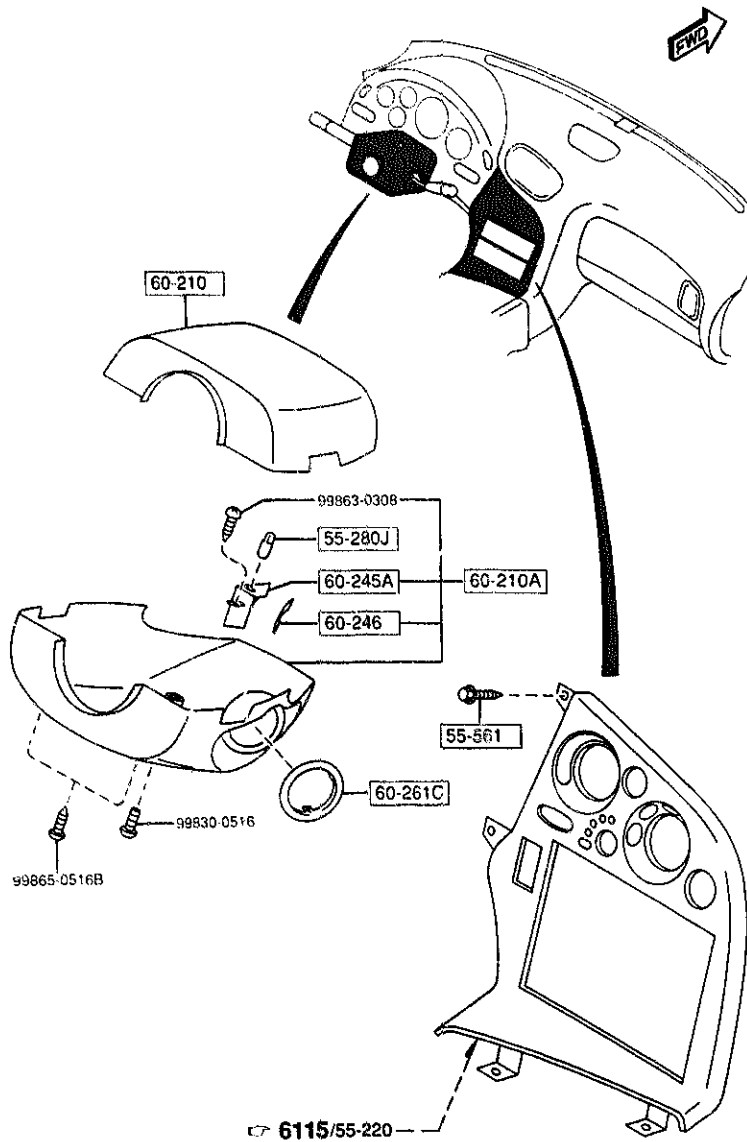
5390 FLOOR ATTACHMENTS



PART NO.	QTY	MODEL/RESTRICTION	MODEL/RESTRICTION	MODEL/RESTRICTION	FROM-TO
50-015C					
BR70-50-022	6				
56-1A1					
FD01-56-1A1C	1	(MT)			
56-11Y					
FD01-56-113A	1				
56-111B					
FD01-56-1B0B	1				
56-410					
FD01-56-430C	1				
56-414B					
FB01-56-414	25	(AT)			
FB01-56-414	29	(MT)			
56-420					
FD01-56-420C	1				
56-431					
FD01-56-114A	1	(ILLUST. NO.1)			
FD01-56-450	1	(ILLUST. NO.2)			
56-451					
FD01-56-411	1				
56-951					
FD01-56-181	1				

5500 DASHBOARD EQUIPMENTS

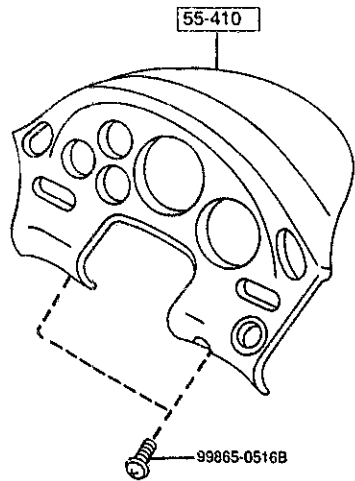
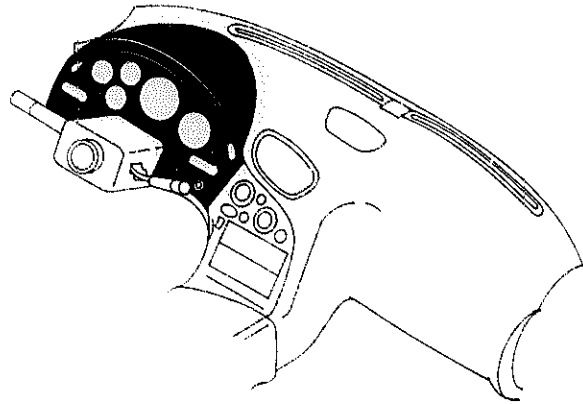
5500 -1 \* DASHBOARD EQUIPMENTS



PART NO.	QTY	MODEL/RESTRICTION	MODEL/RESTRICTION	MODEL/RESTRICTION	FROM-TO
55-280J		BULB			
B456-60-223	1				
55-561		BOLT, INST. PANEL			
B455-55-561	4				
60-210		COVER, COLUMN-UPPER			
FD01-60-221C	1				
00	INT-	FE5 FE6 FE7 BLACK			
60-210A		COVER, COLUMN-LOWER			
FD01-60-230D	1				
00	INT-	FE5 FE6 FE7 BLACK			
60-245A		CASE, LAMP			
FD01-60-245A	1				
60-246		LENS, COLUMN COVER			
FD01-60-246	1				
60-261C		RING SET-KEY CYLINDER			
LA01-60-261	1				
KB75-60-261A	1				
					-5861
					5801-
5801 FD333 -409230					

5520 METER HOOD

5520 -1 \* METER HOOD

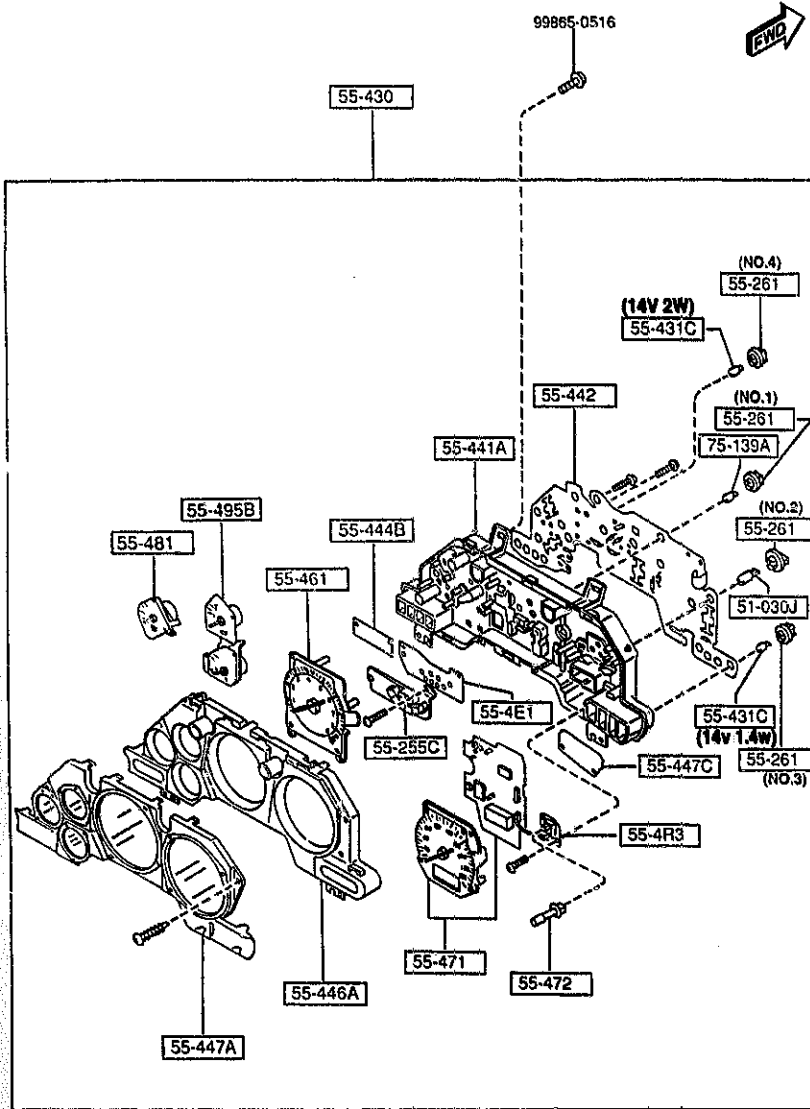


PART NO.	QTY	MODEL/RESTRICTION	MODEL/RESTRICTION	MODEL/RESTRICTION	FROM-TO
55-410		HOOD, METER			
FD15-55-420	1				



5540 METER COMPONENTS

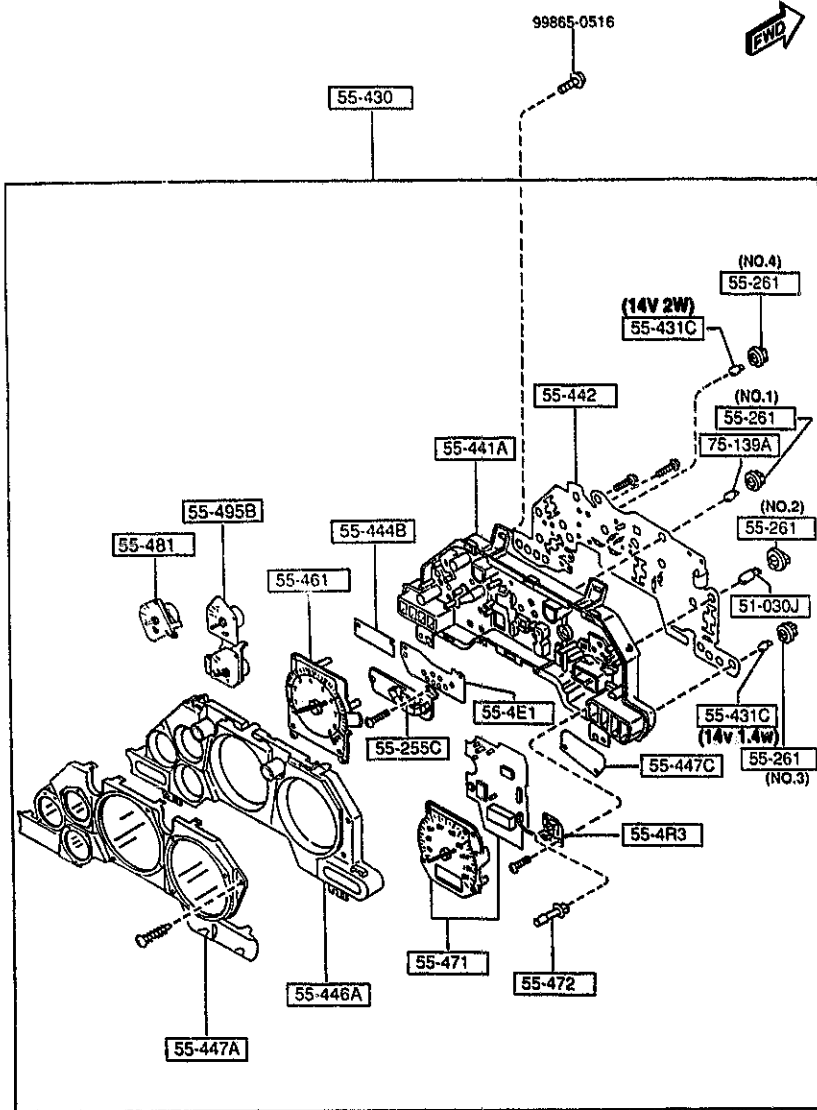
5540 -1 METER COMPONENTS



PART NO.	QTY	MODEL/RESTRICTION	MODEL/RESTRICTION	MODEL/RESTRICTION	FROM-TO
51-030J		BULB			
99701-6030	4	12V 3.4W			
55-255C		CASE, WARNING UNIT			
FD01-55-4W1	1	((MT))>(NOR. SUSP)			
FD02-55-4W1	1	(AT)			
55-261		SOCKET			
B456-55-261	6	12V 3W (ILLUST. NO.1)			
FD01-55-261	4	(ILLUST. NO.2)			
FD02-55-261	6	(ILLUST. NO.3) ((MT))>(HARD SUSP) (AT)			
FD02-55-261	7	(ILLUST. NO.3) ((MT))>(NOR. SUSP)			
FD03-55-261	2	(ILLUST. NO.4)			
55-4E1		INDICATOR, ECONOMY-METER			
FD02-55-4E1	1	(AT)			
55-4R3		SWITCH			
FD01-55-487	1				
55-430		METER SET			
FD15-55-430D	1	((MT))>(NOR. SUSP)			
FD16-55-430D	1	((MT))>(HARD SUSP)			
FD17-55-430D	1	(AT)			
55-431C		BULB*B*, WARNING UNIT			
FD01-55-431	2	14V/2W			
FD02-55-431	6	14V/1.4W ((MT))>(HARD SUSP) (AT)			
FD02-55-431	7	14V/1.4W ((MT))>(NOR. SUSP)			
55-441A		CASE, METER			
FD01-55-441	1				

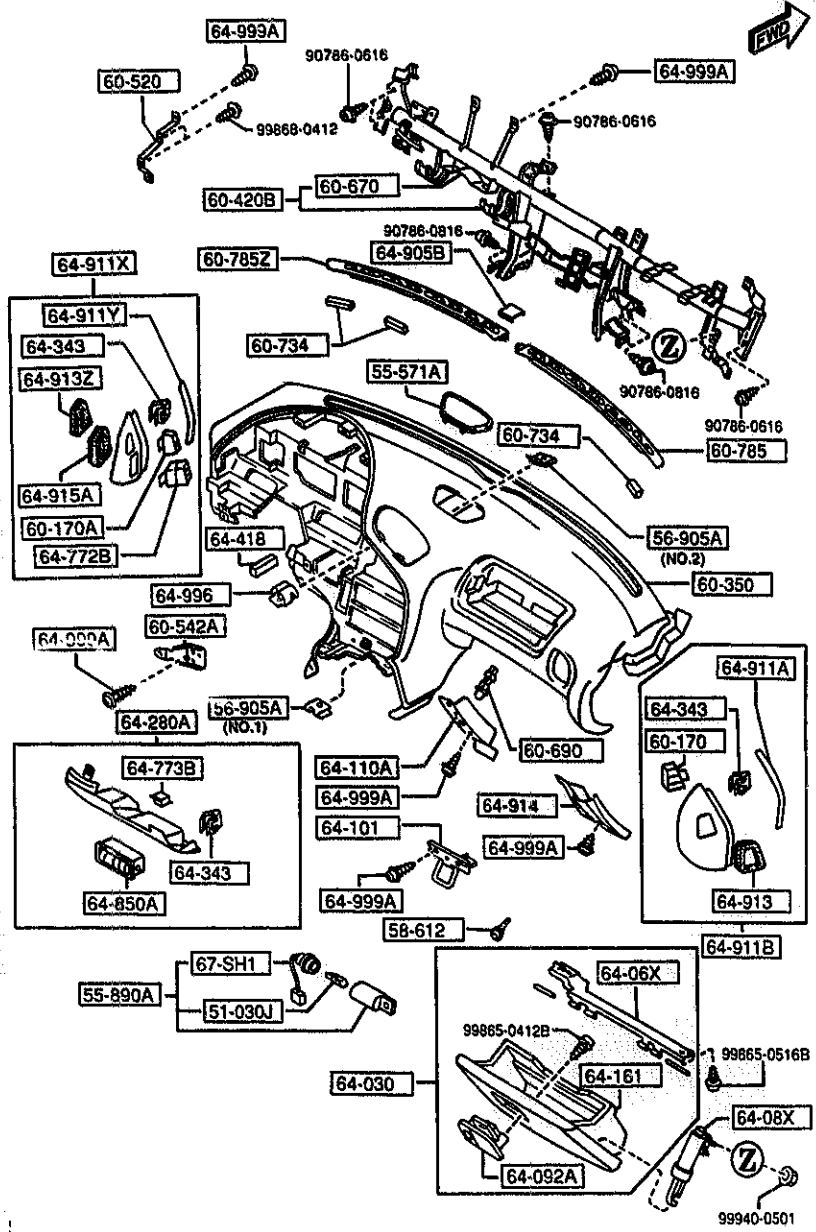
5540 METER COMPONENTS

5540 -2 \* METER COMPONENTS



PART NO.	QTY	MODEL/RESTRICTION	MODEL/RESTRICTION	MODEL/RESTRICTION	FROM-TO
55-442		PLATE NO.1,PRINT			
FD01-55-442	1	((MT)>(NDR. SUSP) )			
FD02-55-442	1	(AT)			
FD03-55-442	1	((MT)>(HARD SUSP) )			
55-444B		LENS,WARNING			
FD01-55-444A	1				
55-446A		PLATE,WINDOW			
FD01-55-446	1				
55-447A		GLASS,FRONT-WARNING UNIT			
FD01-55-447A	1				
55-447C		LENS,WARNING			
FD01-55-445	1				
55-461		TACHOMETER			
FD15-55-461A	1	((MT)>(NDR. SUSP) )			
FD16-55-461A	1	((MT)>(HARD SUSP) )			
FD17-55-461A	1	(AT)			
55-471		SPEEDOMETER			
FD15-55-471	1	(MT)			
FD17-55-471	1	(AT)			
55-472		KNOB,TRIPMETER			
FD01-55-473	1				
55-481		METER,FUEL			
FD01-55-481	1				
55-495B		METER,TEMP.-OIL			
FD01-55-491	1				
75-139A		BULB			
B456-55-431	6	12V 3W			

5560 DASHBOARD & RELATED PARTS



5560 -1 DASHBOARD & RELATED PARTS

PART NO.	QTY	MODEL/RESTRICTION	MODEL/RESTRICTION	MODEL/RESTRICTION	FROM-TO
51-030J		BULB			
3625-75-139	1	12V 1.4W			
55-571A		GRILLE, SPEAKER			
FD01-55-530A	1				
60	INT-	FES FE6 FE7 BLACK			
55-890A		LAMP, GLOVE BOX			
FD15-64-170A	1				
56-905A		NUT, SPRING			
B092-60-408	8	(ILLUST. NO.1)			
E016-60-408	3	(ILLUST. NO.2)			
E016-60-408	2	(ILLUST. NO.2)			
58-612		CUSHION, RUBBER			
B092-64-046	2				
60-170		NOZZLE(R), SIDE-DEMISTER			
FD01-60-182	1				
60-170A		NOZZLE(L), SIDE-DEMISTER			
FD01-60-192	1				
60-350		PAD, CRASH			
FD15-60-350D	1				
02	INT-	FES FE6 FE7 BLACK			
60-420B		MEMBER, CRASH PAD			
FD15-60-420G	1				
60-520		BRACKET, CENTER			
FD01-60-534	1				
60-542A		BRACKET, CENTER PANEL			
FD01-60-582	1				
60-670		BRACKET, STEERING			
FD01-60-670	1				
4A03 FD333 -400014					

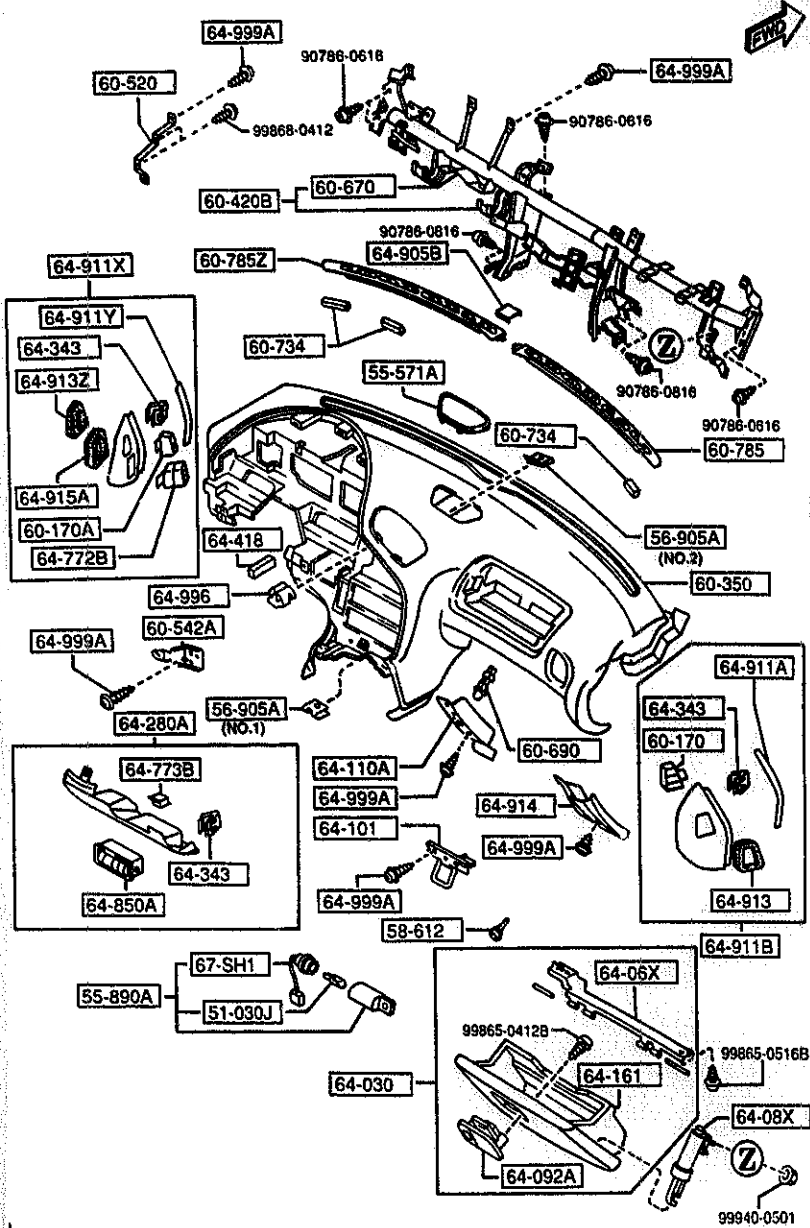
-4A03  
4A03-

AUFA06

CAT. AUFA06-04

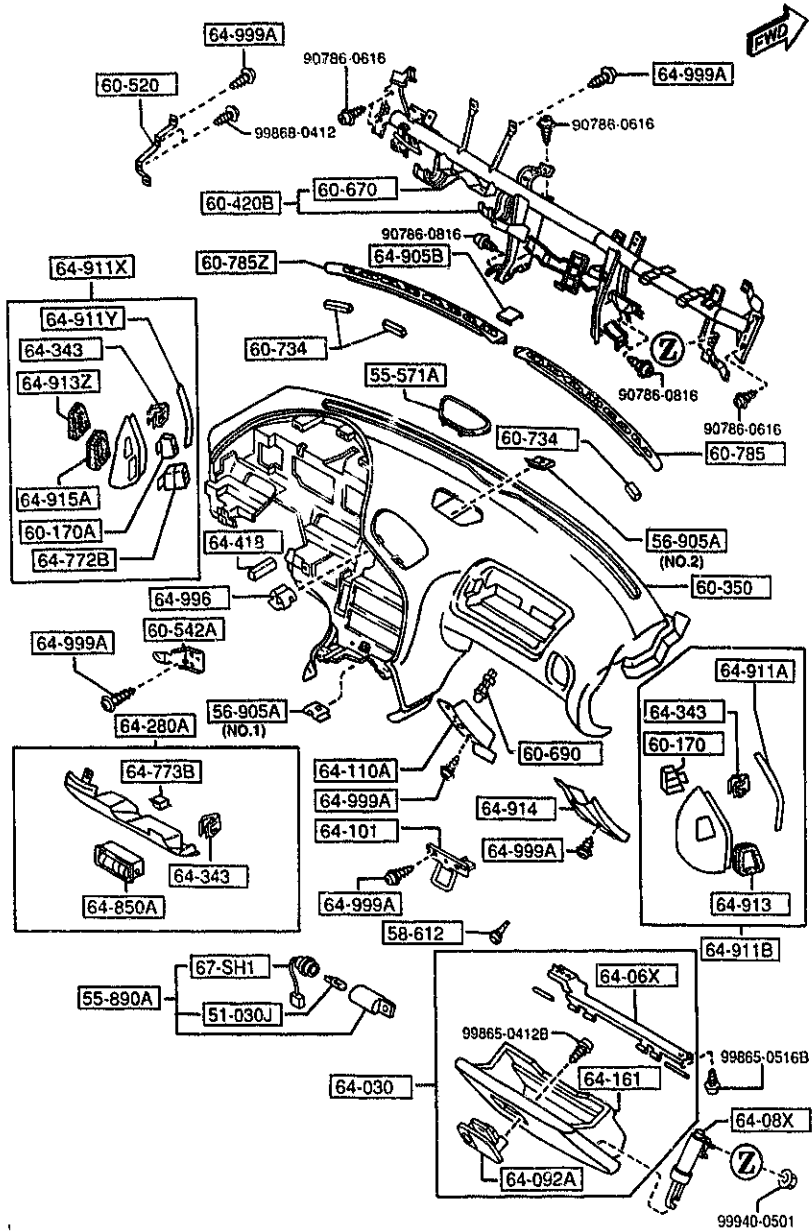
1997-01

5560 DASHBOARD & RELATED PARTS



PART NO.	QTY	MODEL/RESTRICTION	MODEL/RESTRICTION	MODEL/RESTRICTION	FROM-TO
60-690		SWITCH,GLOVE TRAY			
J002-66-540A	1				
60-734		PAD NO.1,GARNISH-UPPER			
FD01-60-734A	3				
60-785		GRILLE(R),DEF.NOZZLE			
FD01-60-780	1				
02	INT-	FE5 FE6 FE7 BLACK			
60-785Z		GRILLE(L),DEF.NOZZLE			
FD01-60-790	1				
02	INT-	FE5 FE6 FE7 BLACK			
64-050		BOX,GLOVE			-4A01
FD15-64-030F	1				
02	INT-	FE5 FE6 FE7 BLACK			
FD15-64-030G	1				4A01-
02	INT-	FE5 FE6 FE7 BLACK			
64-06X		HINGE,GLOVE LID			
FD15-64-071A	1				
64-08X		DAMPER,GLOVE BOX			
FD15-64-08XB	1				
64-092A		LOCK,GLOVE LID			
BC5E-64-090B	1				
00	INT-	FE5 FE6 FE7 BLACK			
64-101		STRIKER			
FD15-64-10XC	1				
64-110A		COVER(R),GLOVE			
FD15-64-117A	1				
64-161		BOX,GLOVE			
FD15-64-161C	1				
4A01 FD333 -400014					

5560 DASHBOARD & RELATED PARTS



5560 -3 DASHBOARD & RELATED PARTS

PART NO.	QTY	MODEL/RESTRICTION	MODEL/RESTRICTION	MODEL/RESTRICTION	FROM-TO
64-280A		PANEL, LOWER			
FD01-64-280C	1				
02	INT-	FE5 FE6 FE7 BLACK			
64-343		SPRING			
H260-64-343	7				
64-418		PAD			
FD01-60-737	1				
64-772B		DUCT NO.2(L)			
FD01-64-842	1				
64-773B		SPRING			
B455-64-773	2				
64-850A		LOUVER, LAP-LOWER PANEL			
FB01-64-850	1				
64-905B		COVER, HOLE-(C)			
FD01-64-905	1				
02	INT-	FE5 FE6 FE7 BLACK			
64-911A		COVER(R), SIDE			
FD01-64-981	1				
02	INT-	FE5 FE6 FE7 BLACK			
64-911B		PANEL(R), SIDE-CRASH PAD			
FD15-64-910	1				
02	INT-	FE5 FE6 FE7 BLACK			
64-911X		PANEL(L), SIDE-CRASH PAD			
FD01-64-920B	1				
02	INT-	FE5 FE6 FE7 BLACK			
64-911Y		COVER(L), SIDE			
FD01-64-971	1				
02	INT-	FE5 FE6 FE7 BLACK			

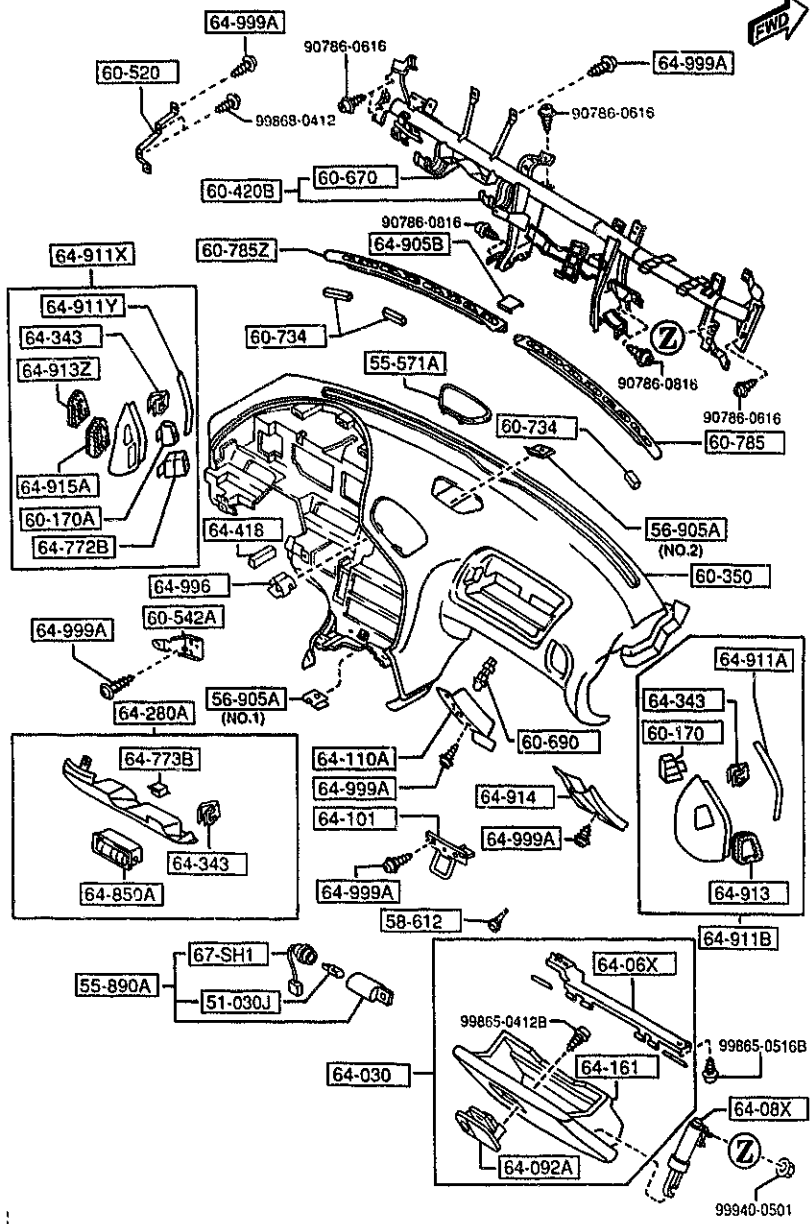
AUFA06

CAT. AUFA06-04

1997-01

5560 DASHBOARD & RELATED PARTS

5560 -4 \* DASHBOARD & RELATED PARTS



PART NO.	QTY	MODEL/RESTRICTION	MODEL/RESTRICTION	MODEL/RESTRICTION	FROM-TO
64-913		RUBBER(R), SEAL-SIDE PANEL			
FD01-64-912	1				
64-913Z		RUBBER(L), SEAL-SIDE PANEL			
FD01-64-922	1				
64-914		COVER(R), SIDE NO.2			
FD15-64-914B	1				
02	INT-	FES FE6 FE7 BLACK			
64-915A		RUBBER, SEAL-SIDE PANEL			
FD01-64-923	1				
64-996		NUT, EXPANSION			
GJ21-64-996	2				
64-999A		SCREW, TAPPING			
W201-64-999	22				
67-SH1		CORD, SHORT			
FD17-67-SH0	1				

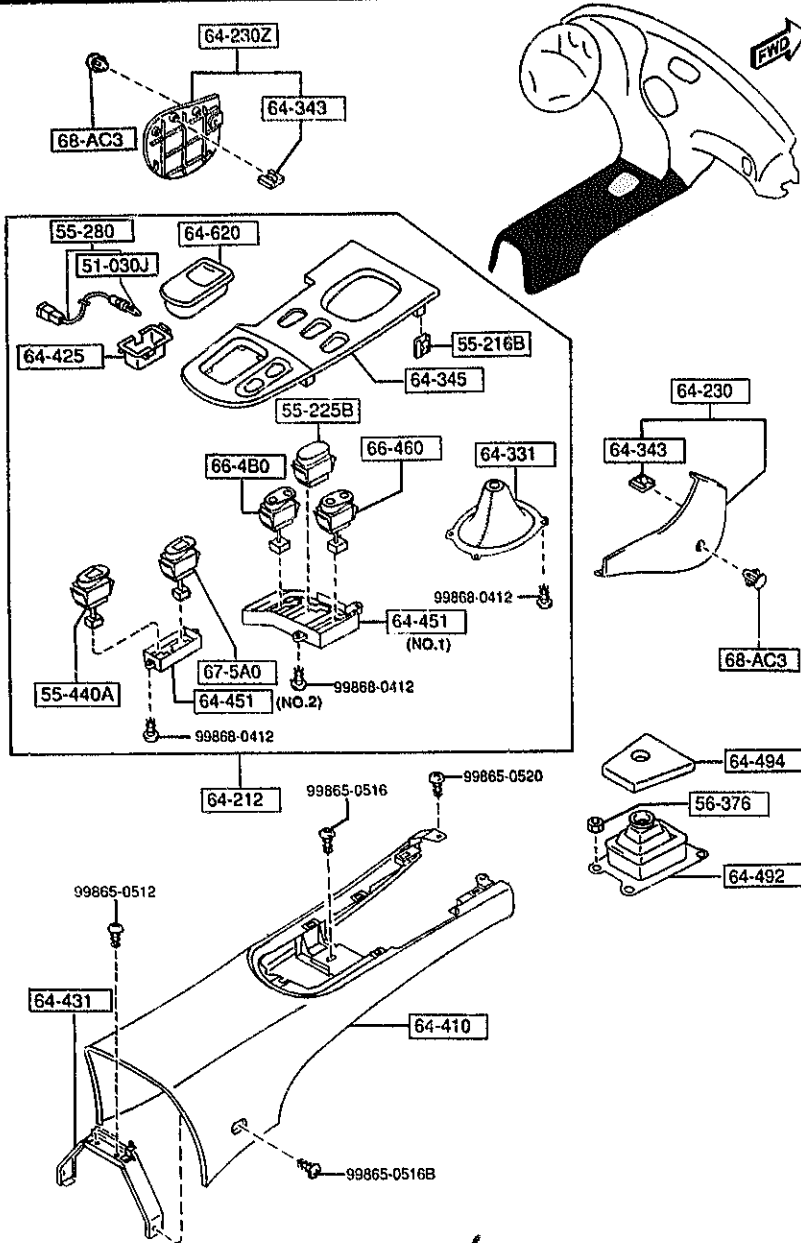
AUFA06

CAT. AUFA06-04

1997-01

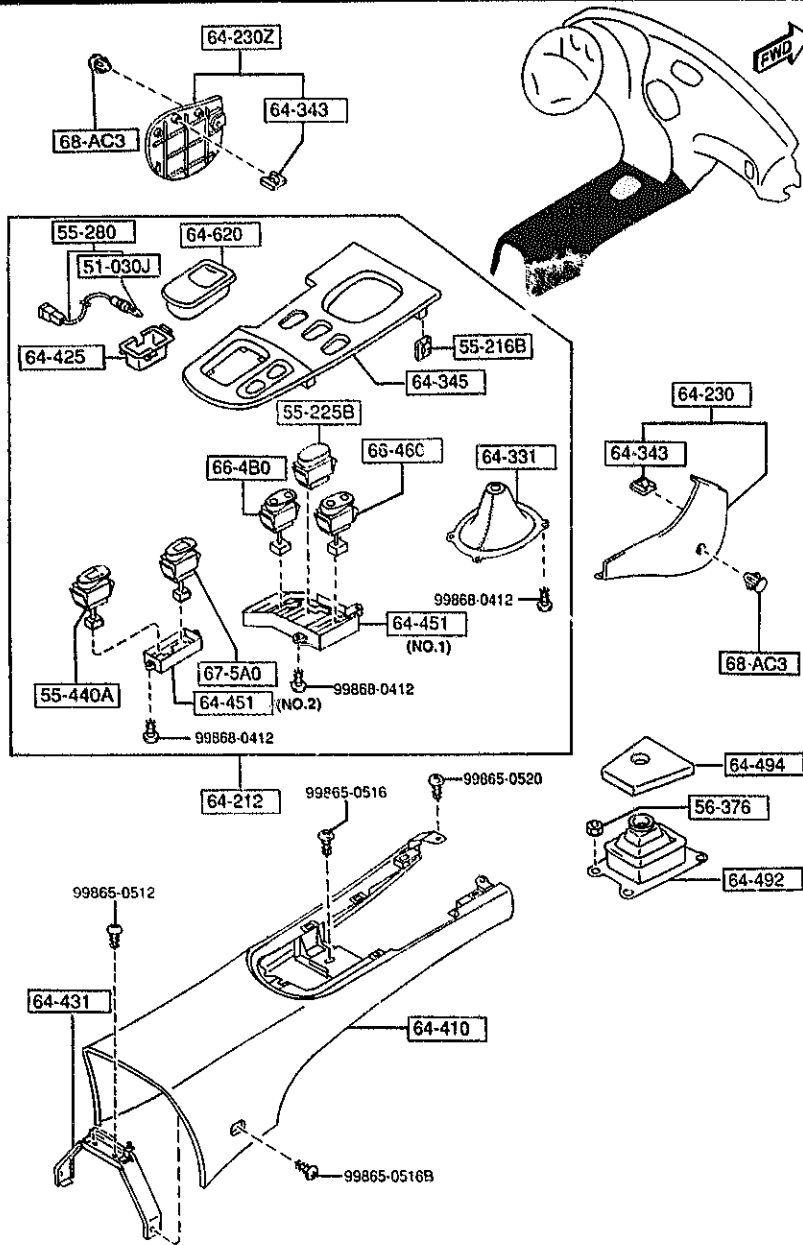
2-J14

5570 CONSOLE



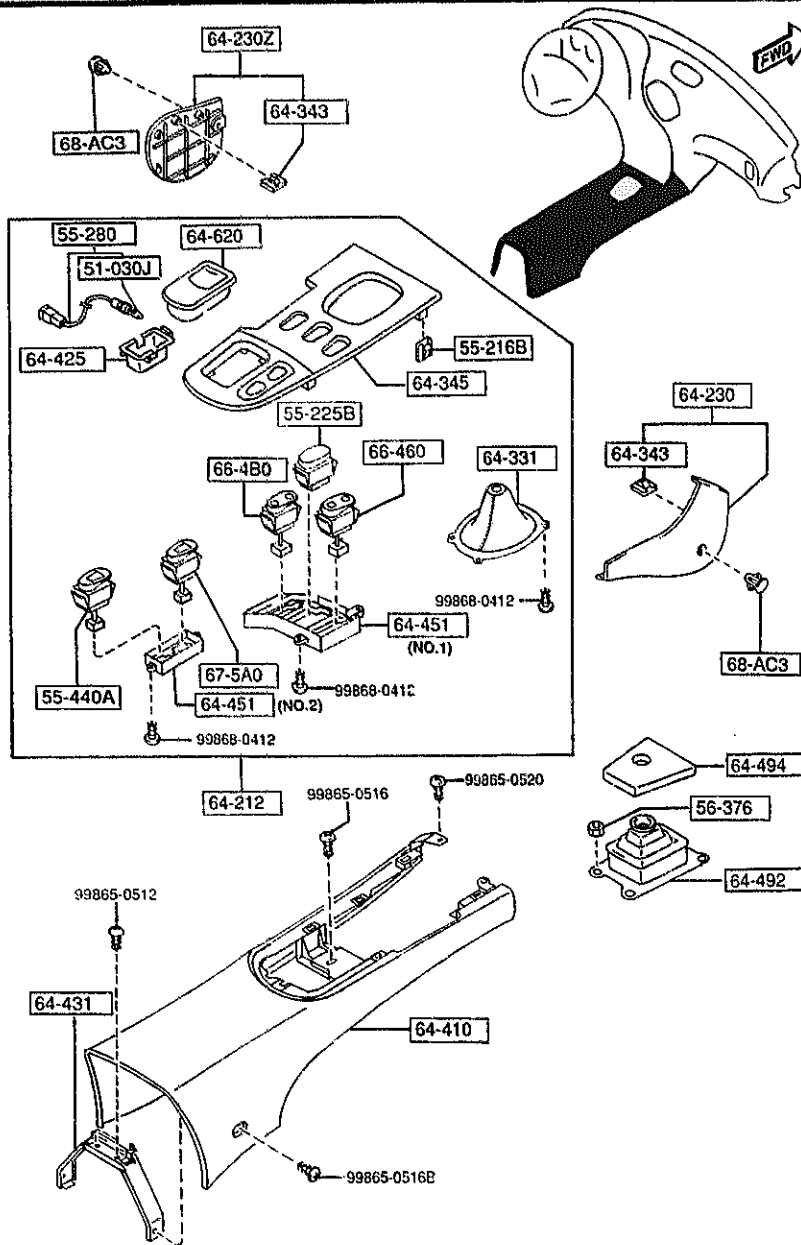
5570 -1 CONSOLE

PART NO.	QTY	MODEL/RESTRICTION	MODEL/RESTRICTION	MODEL/RESTRICTION	FROM-TO
51-030J		BULB			
3625-75-139	1	12V 1.4W			
55-216B		SPRING,CENTER PANEL			
B092-55-257	5				
55-225B		COVER,HOLE			
FD01-55-225A	1	(W/O HEAD LAMP CLEANER) (W/STEEL SUN ROOF) (W/GLASS SUN ROOF)			
00	INT-	FE5 FE6 FE7 BLACK			
FD01-55-225A	2	(W/O HEAD LAMP CLEANER) (W/O SUN ROOF)			
00	INT-	FE5 FE6 FE7 BLACK			
55-280		BULB & SOCKET			
FD01-55-280	1				
55-440A		WARNING,HEAT			
FD01-67-5H0C	1				
56-376		NUT,SELF LOCK			
B001-56-376	4	(MT)			
64-212		PANEL,CONSOLE			
FD15-64-470	1	(W/O HEAD LAMP CLEANER) ((MT)>(W/O SUN ROOF))			
00	INT-	FE5 FE6 FE7 BLACK			
FD17-64-470	1	(W/O HEAD LAMP CLEANER) ((AT)>(W/O SUN ROOF))			
00	INT-	FE5 FE6 FE7 BLACK			
FD18-64-470	1	(W/O HEAD LAMP CLEANER) ((MT)>(W/STEEL SUN ROOF)) ((MT)>(W/GLASS SUN ROOF))			
00	INT-	FE5 FE6 FE7 BLACK			
FD19-64-470	1	(W/O HEAD LAMP CLEANER)			

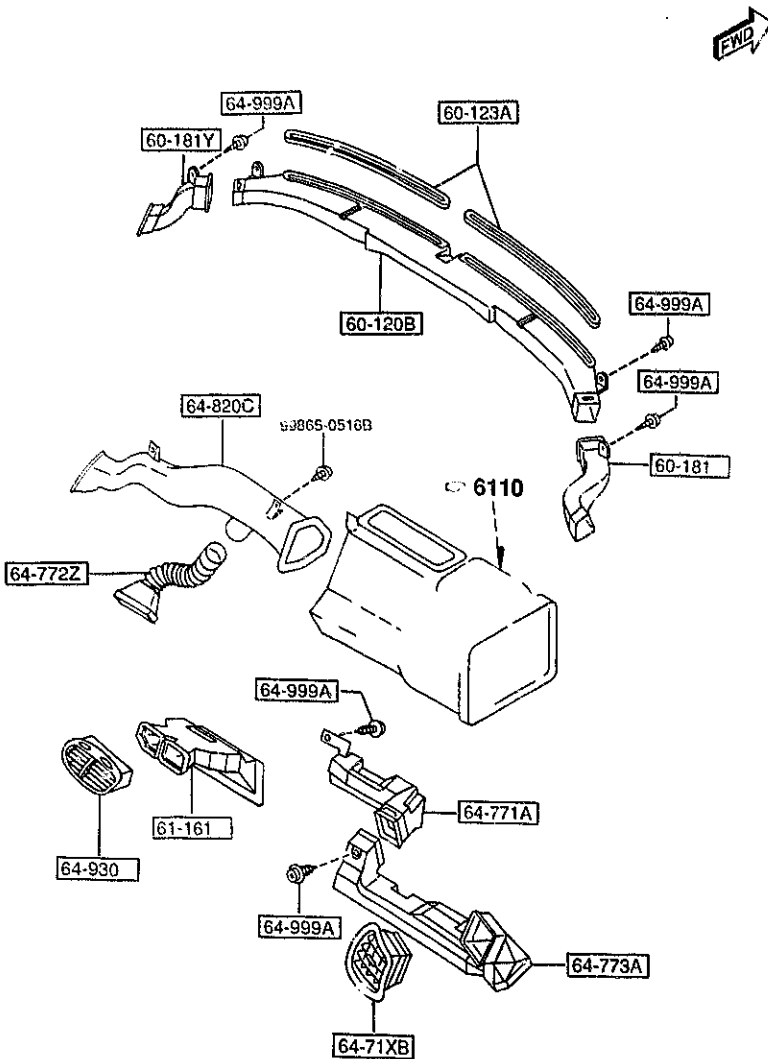


PART NO.	QTY	MODEL/RESTRICTION	MODEL/RESTRICTION	MODEL/RESTRICTION	FROM-TO
CONT'D		ER) ( (AT)>>(W/GLASS SUN R DOOF) )			
00	INT-	FE5 FE6 FE7 BLACK			
		64-230	WALL(R),SIDE		
FD15-64-220A	1				
02	INT-	FE5 FE6 FE7 BLACK			
		64-230Z	WALL(L),SIDE		
FD01-64-240A	1				
02	INT-	FE5 FE6 FE7 BLACK			
		64-331	BOOT,CHANGE		
FD01-64-330C	1	(MT)			
00	INT-	FE5 FE6 FE7 BLACK			
		64-343	SPRING		
H260-64-343	3				
		64-345	PANEL,SWITCH		
FD15-64-471	1	(MT)			
FD17-64-471	1	(AT)			
		64-410	CONSOLE,REAR		
FD01-64-420E	1				
02	INT-	FE5 FE6 FE7 BLACK			
		64-425	CASE,LAMP		
FD01-64-414A	1				
		64-431	BRACKET,RR.CONSOLE-N 0.1		
FD15-64-43XA	1				
		64-451	PANEL,SWITCH		
FD01-66-468	1	(ILLUST. NO.1)			
FD02-66-468	1	(ILLUST. NO.2)			
		64-492	INSULATOR,BOOT		
FD01-64-490A	1	(MT)			

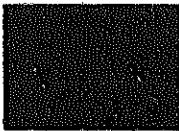
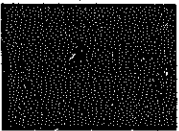






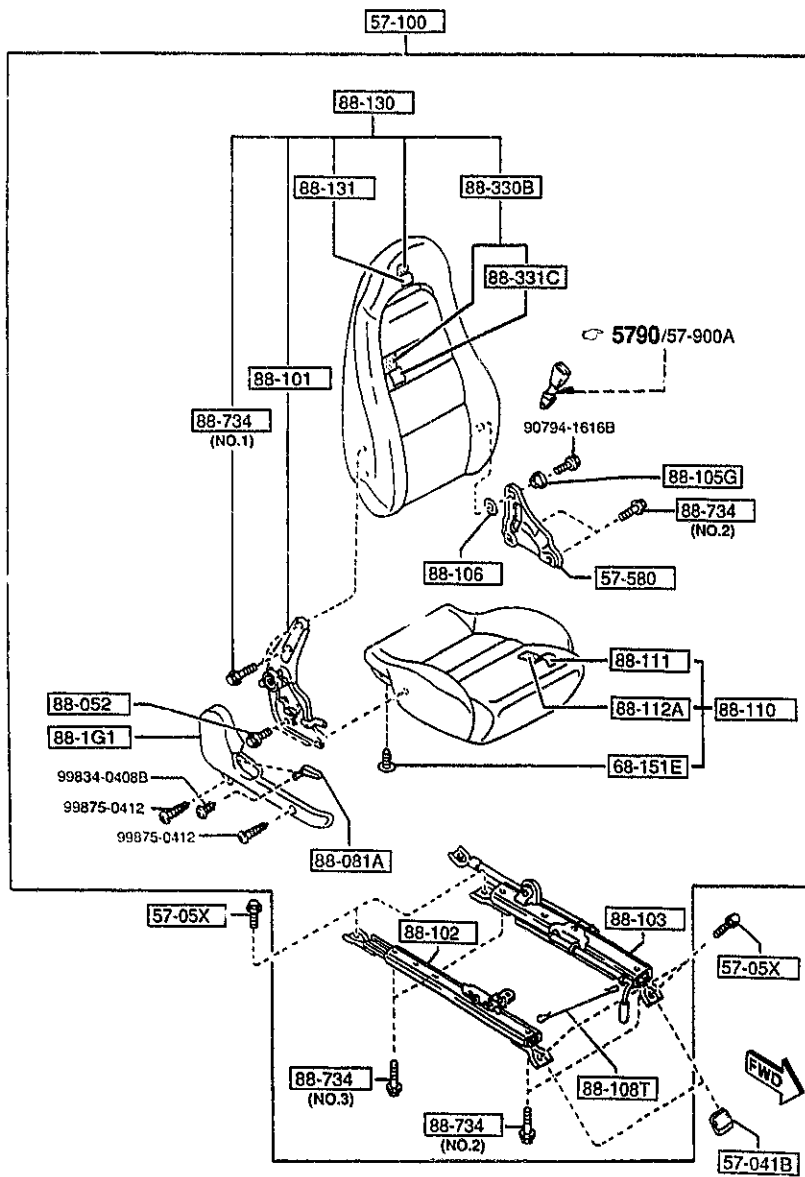


PART NO.	QTY	MODEL/RESTRICTION	MODEL/RESTRICTION	MODEL/RESTRICTION	FROM-TO
64-494		PAD,CHANGE BOOT			
FB01-64-495	1	(MT)			
64-620		TRAY,ASH			
FD01-64-610A	1				
00	INT-	FE5 FE6 FE7 BLACK			
66-4B0		SWITCH,F06-FRONT			
FD01-66-4B0A	1	(W/O HEAD LAMP CLEANER) (W/STEEL SUN ROOF) (W/GLASS SUN ROOF)			
66-460		SWITCH,RR.DEF.			
FD01-66-460A	1				
67-5A0		DISPLAY,SECURITY-ALARM			
FD01-67-5A0C	1				
68-AC3		FASTENER			
B467-68-AC3	2				
02	INT-	FE5 FE6 FE7 BLACK			

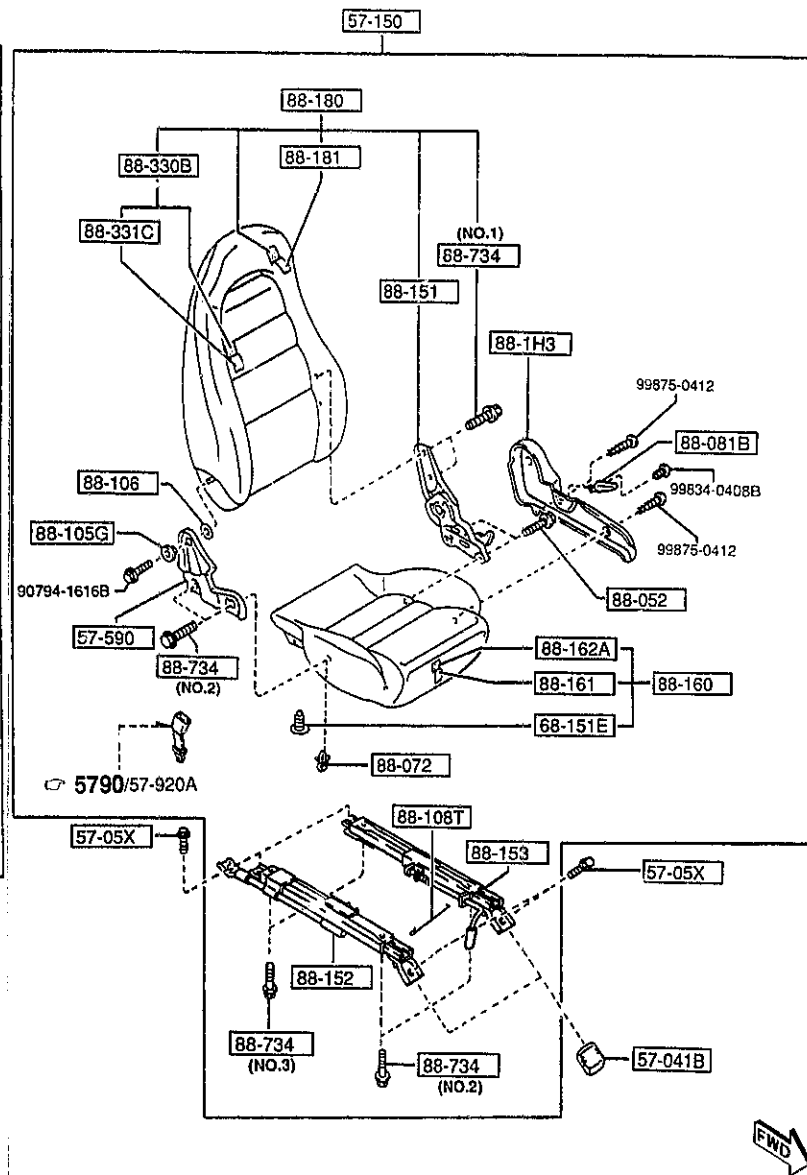


PART NO.	QTY	MODEL/RESTRICTION	MODEL/RESTRICTION	MODEL/RESTRICTION	FROM-TO
60-120B		NOZZLE, DEFROSTER			
FD01-60-120	1				
60-123A		TAPE, SOFT-DEF. NOZZLE			
FD01-60-123	2				
60-181		HOSE, SIDE-DEMISTER			
FD01-60-181	1				
60-181V		DUCT(L), SIDE DEMIST.			
FD01-60-191	1				
61-161		DUCT, CENTER			
FD01-61-160B	1				
64-71XB		LOUVER(R), VENT. GRILLE			
FD15-64-81XA	1				
02	INT-	FE5 FE6 FE7 BLACK			
64-771A		DUCT NO.1(R)			
FD15-64-741	1				
64-772Z		DUCT(L), LAP			
FD01-64-772B	1				
64-773A		DUCT NO.3(R)			
FD15-64-743B	1				
64-820C		DUCT(L), VENTILATOR			
FD01-64-84XA	1				
64-930		GRILLE(C), VENTILATOR			
FD01-64-930A	1				
02	INT-	FE5 FE6 FE7 BLACK			
64-999A		SCREW, TAPPING			
W201-64-999	6				

SPECIFICATIONS	SEAT TYPES	STA TYPE	STC TYPE	STD TYPE
	GRADE	BASE	R3, R2	OPT-PKG. TOURING
SEAT TRIM	CLOTH "A"			
				



AUFA06

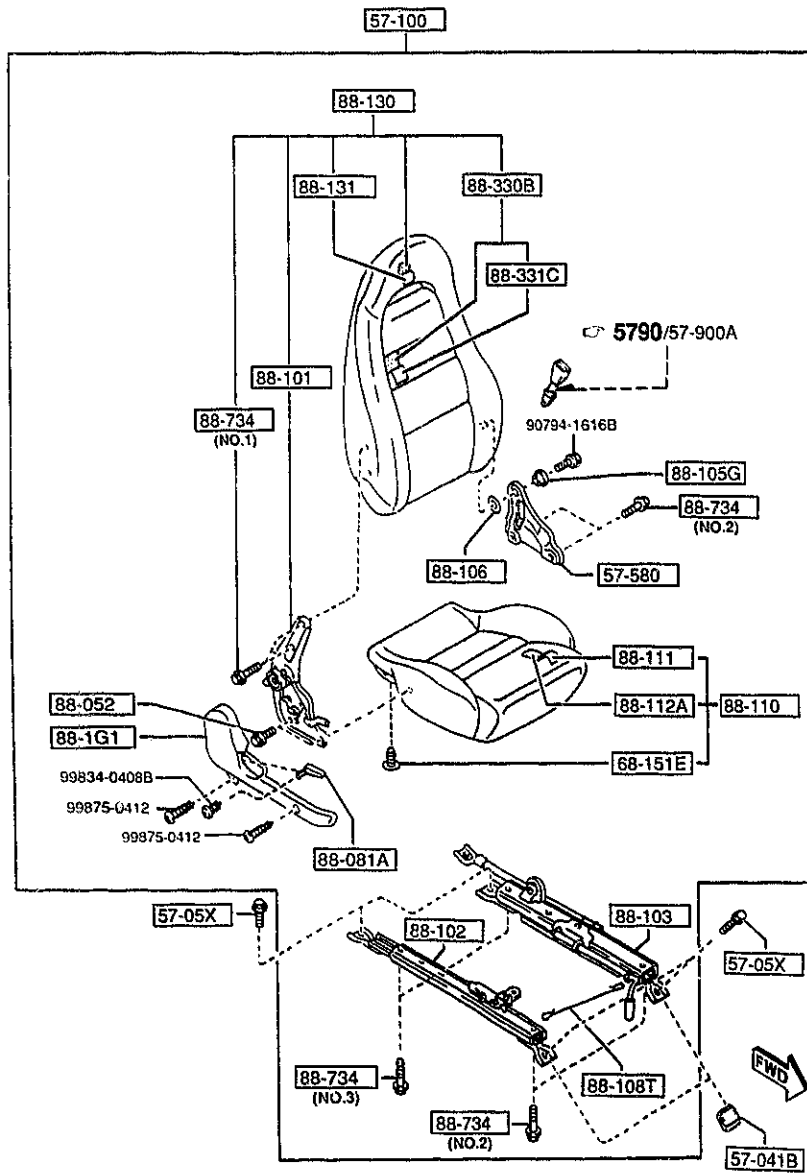


AUFA06

5700 -1 FRONT SEATS

5700 FRONT SEATS

(2/3)

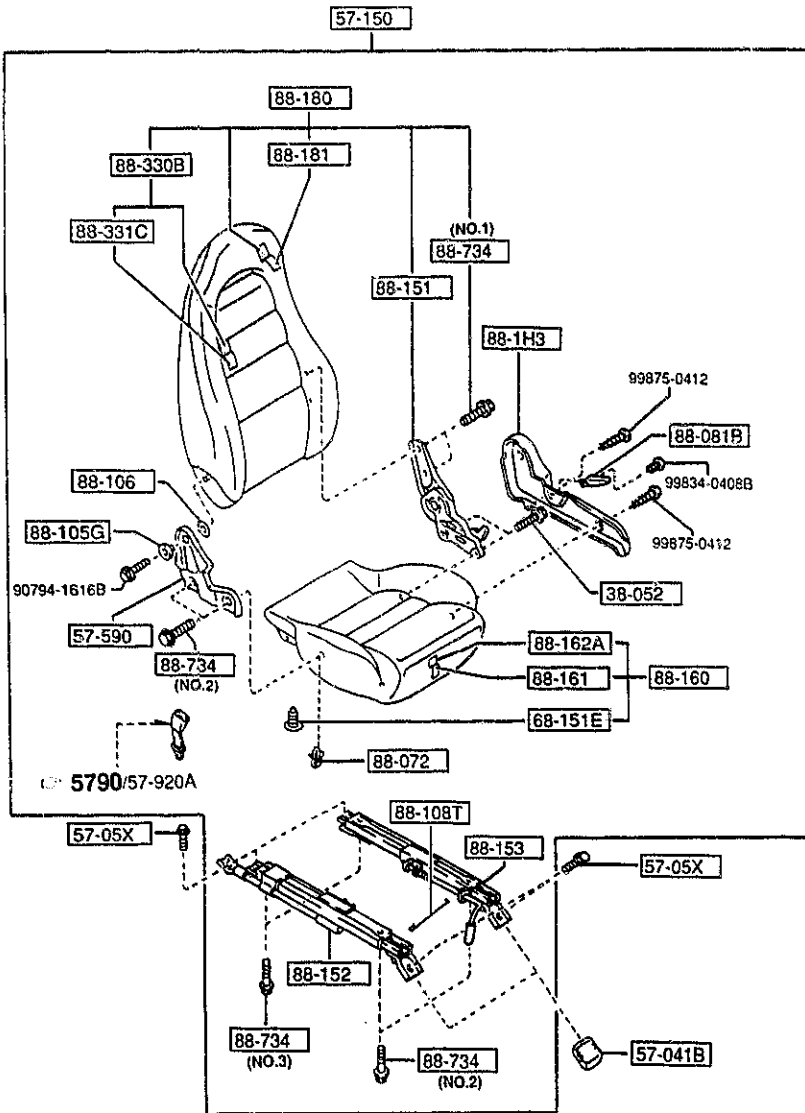


PART NO.	QTY	MODEL/RESTRICTION	MODEL/RESTRICTION	MODEL/RESTRICTION	FROM TO
57-041B		COVER NO.1,ADJ-FRT			
J001-57-041	4				
02	INT-	FE5 BLACK			
17	INT-	FE7 RED			
33	INT-	FE6 TAN			
57-05X		BOLT, LINK			
B455-57-05XA	8				
57-100		SEAT(R),FRONT			
FD19-57-100A	1	R2, R3, (STC TYPE)			-4801
02	INT-	FE5 BLACK			
FD15-57-100A	1	BASE, (STA TYPE)			-5301
02	INT-	FE5 BLACK			
FD18-57-100	1	OPT-PKG, TOURING, (STD TYPE)			-5301
02	INT-	FE5 BLACK			
18	INT-	FE7 RED			
34	INT-	FE6 TAN			
FD19-57-100B	1	R2, R3, (STC TYPE)			4801-5301
02	INT-	FE5 BLACK			
FD15-57-100C	1	BASE, (STA TYPE)			5301-
02	INT-	FE5 BLACK			
FD18-57-100B	1	OPT-PKG, TOURING, (STD TYPE)			5301-
02	INT-	FE5 BLACK			
18	INT-	FE7 RED			
34	INT-	FE6 TAN			
FD19-57-100D	1	R2, R3, (STC TYPE)			5301-
02	INT-	FE5 BLACK			
57-150		SEAT(L),FRONT			
FD03-57-150D	1	R2, R3, (STC TYPE)			-4801
02	INT-	FE5 BLACK			
4801 FD333	-400022				
5301 FD333	-400027				

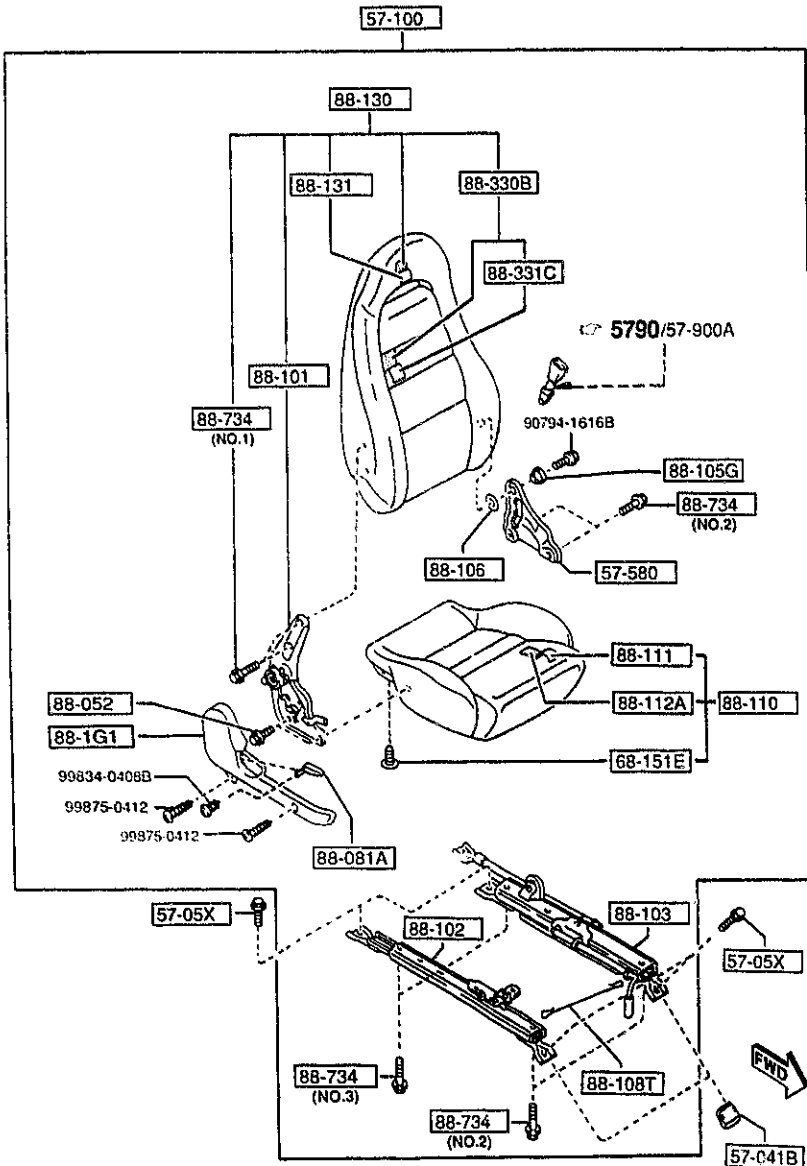
AUFA06

CAT. AUFA06-04

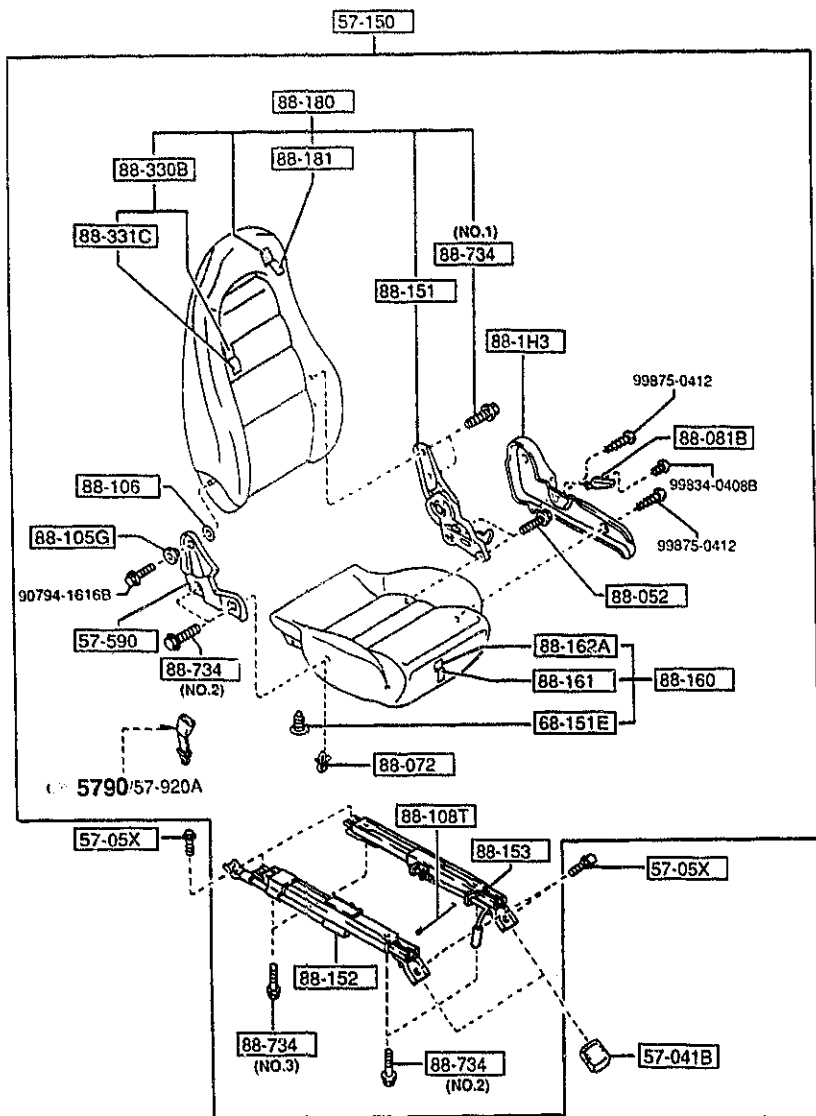
1997-01



PART NO.	QTY	MODEL/RESTRICTION	MODEL/RESTRICTION	MODEL/RESTRICTION	FROM-TO
CONT'D					
FD01-57-150D	1	BASE, (STA TYPE)			-5301
02	INT-	FE5 BLACK			
FD05-57-150D	1	OPT-PKG, TOURING, (STD TYPE)			-5301
02	INT-	FE5 BLACK			
18	INT-	FE7 RED			
34	INT-	FE6 TAN			
FD03-57-150E	1	R2, R3, (STC TYPE)			4801-5301
02	INT-	FE5 BLACK			
FD01-57-150F	1	BASE, (STA TYPE)			5301-
02	INT-	FE5 BLACK			
FD03-57-150G	1	R2, R3, (STC TYPE)			5301-
02	INT-	FE5 BLACK			
FD05-57-150F	1	OPT-PKG, TOURING, (STD TYPE)			5301-
02	INT-	FE5 BLACK			
18	INT-	FE7 RED			
34	INT-	FE6 TAN			
57-580		BRACKET(R),FRT SEAT			
FD01-88-124	1				
57-590		BRACKET(L),FRT SEAT			
FD01-88-174	1				
68-151E		CLIP			
8102-68-865	10				
00	INT-	FE5 FE6 FE7 BLACK			
88-052		BOLT			
FD01-88-062	4				
88-072		CLIP			
FD01-88-072	2				
88-081A		KNOB(R),KNUCKLE			
4801 FD333		-400022			
5301 FD333		-400027			



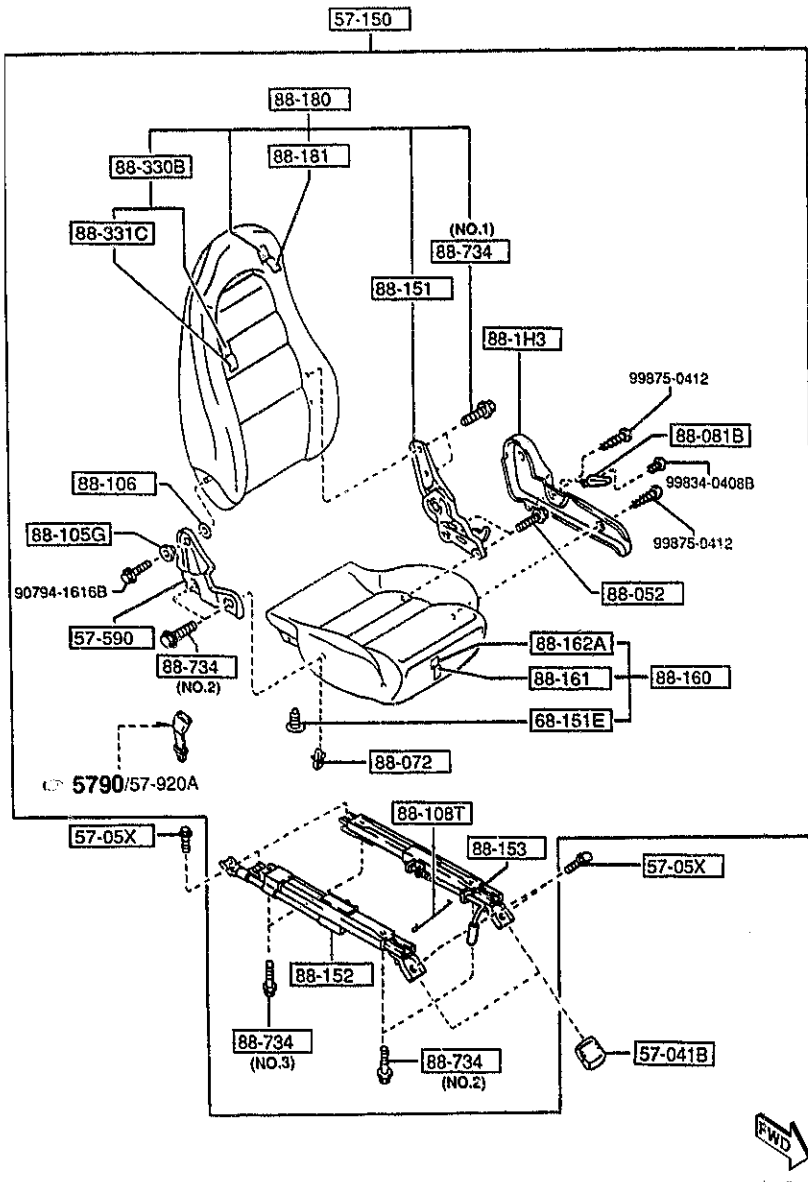
PART NO.	QTY	MODEL/RESTRICTION	MODEL/RESTRICTION	MODEL/RESTRICTION	FROM-10
CONT'D					
FD01-88-165	1				
02	INT-	FE5 BLACK			
17	INT-	FE7 RED			
33	INT-	FE6 TAN			
88-081B		KN08(L),KNUCKLE			
FD01-88-1H5	1				
02	INT-	FE5 BLACK			
17	INT-	FE7 RED			
33	INT-	FE6 TAN			
88-101		COVER NO.1, SIDE-F. SEAT			
FD01-88-101	1				
02	INT-	FE5 BLACK			
17	INT-	FE7 RED			
33	INT-	FE6 TAN			
88-1H3		COVER NO.4, SIDE-F. SEAT			
FD01-88-1h3	1				
02	INT-	FE5 BLACK			
17	INT-	FE7 RED			
33	INT-	FE6 TAN			
88-101		KNUCKLE(R), RECLINING			
FD01-88-101	1				
88-102		ADJUSTER, NO.1			
FD01-88-102	1				
88-103		ADJUSTER, NO.2			
FD11-88-103	1				
88-105G		BUSH, HINGE			
FD01-88-005	2				
88-106		WASHER			
FD01-88-006	2				



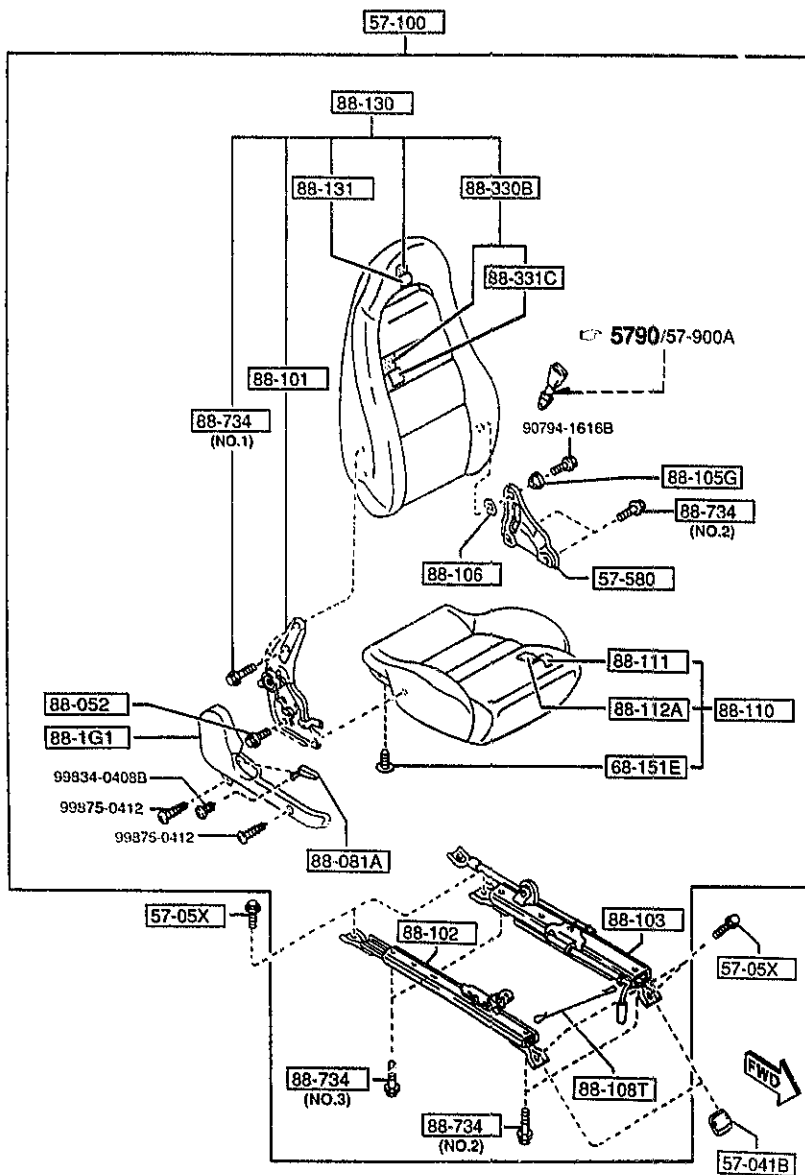
PART NO.	QTY	MODEL/RESTRICTION	MODEL/RESTRICTION	MODEL/RESTRICTION	FROM - TO
88-108T		WIRE, RELEASE			
FD01-88-106	2				
88-110		CUSHION(R), FRT SEAT			
F110-88-110	1	R2, R3, (STC TYPE)			-4801
02	INT-	FE5 BLACK			
FD15-88-110	1	BASE, (STA TYPE)			-5301
02	INT-	FE5 BLACK			
FD18-88-110	1	OPT-PKG, TOURING, (STD TYPE)			-5301
02	INT-	FE5 BLACK			
18	INT-	FE7 RED			
34	INT-	FE6 TAN			
F110-88-110A	1	R2, R3, (STC TYPE)			4801-5301
02	INT-	FE5 BLACK			
FD15-88-110A	1	BASE, (STA TYPE)			5301-
02	INT-	FE5 BLACK			
FD18-88-110A	1	OPT-PKG, TOURING, (STD TYPE)			5301-
02	INT-	FE5 BLACK			
18	INT-	FE7 RED			
34	INT-	FE6 TAN			
F110-88-110B	1	R2, R3, (STC TYPE)			5301-
02	INT-	FE5 BLACK			
88-111		TRIM(R), SEAT CUSHION			
FD03-88-111	1	R2, R3, (STC TYPE)			-4801
02	INT-	FE5 BLACK			
FD01-88-111	1	BASE, (STA TYPE)			-5301
02	INT-	FE5 BLACK			
FD05-88-111	1	OPT-PKG, TOURING, (STD TYPE)			-5301
02	INT-	FE5 BLACK			
4801 FD333 -40022					
5301 FD333 -40027					



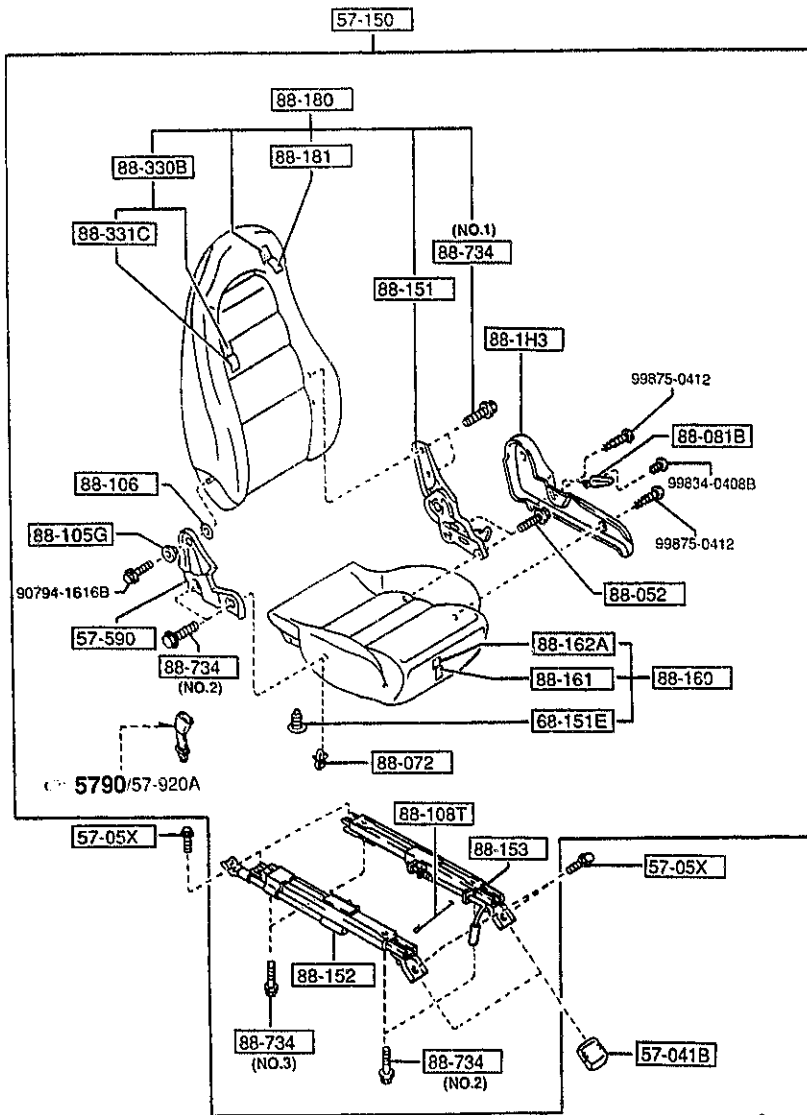




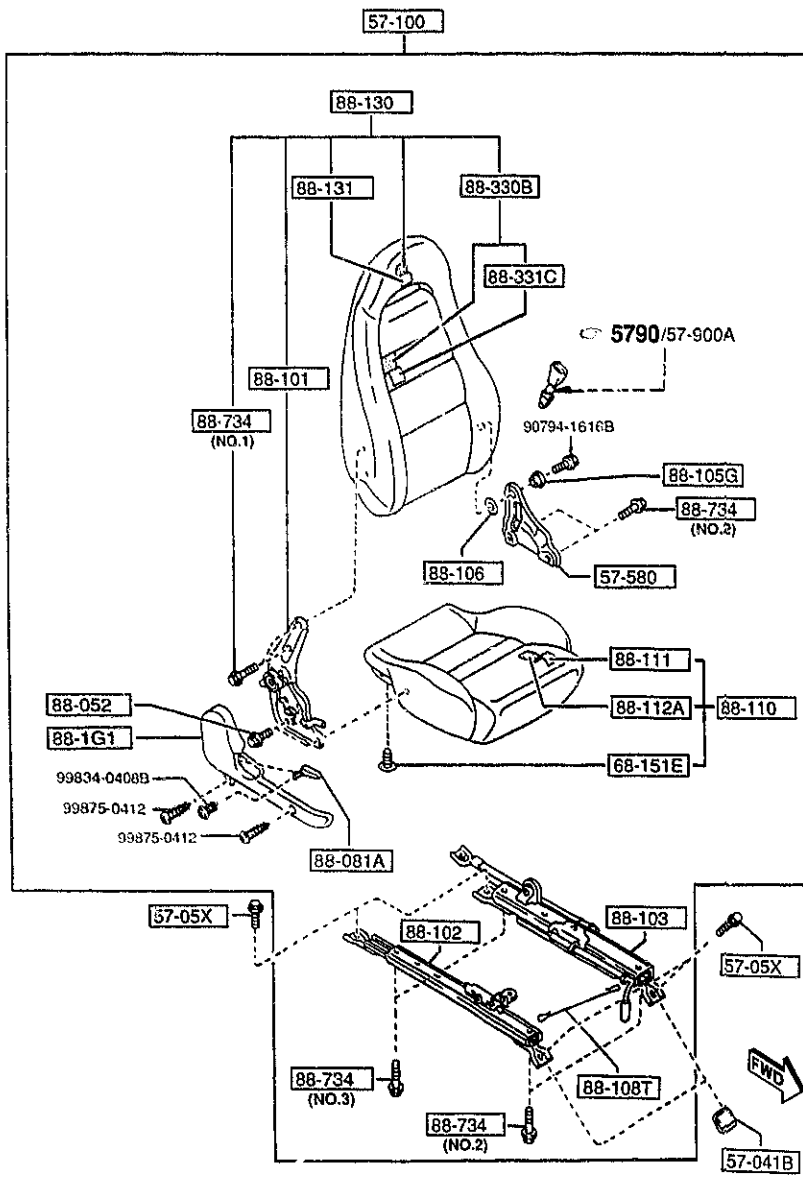
PART NO.	QTY	MODEL/RESTRICTION	MODEL/RESTRICTION	MODEL/RESTRICTION	FROM-TO
CDNT'D					
02	INT-	FE5 BLACK			
18	INT-	FE7 RED			
34	INT-	FE6 TAN			
FD19-88-130D	1	R2, R3, (STC TYPE)			5301-
02	INT-	FE5 BLACK			
88-131		TRIM(R), SEAT BACK			
FD15-88-131	1	BASE, (STA TYPE)			-5301
02	INT-	FE5 BLACK			
FD18-88-131	1	OPT-PKG, TOURING, (STD TYPE)			-5301
02	INT-	FE5 BLACK			
18	INT-	FE7 RED			
34	INT-	FE6 TAN			
FD19-88-131	1	R2, R3, (STC TYPE)			-5301
02	INT-	FE5 BLACK			
FD15-88-131A	1	BASE, (STA TYPE)			5301-
02	INT-	FE5 BLACK			
FD18-88-131A	1	OPT-PKG, TOURING, (STD TYPE)			5301-
02	INT-	FE5 BLACK			
18	INT-	FE7 RED			
34	INT-	FE6 TAN			
FD19-88-131A	1	R2, R3, (STC TYPE)			5301-
02	INT-	FE5 BLACK			
88-151		KNUCKLE(L), RECLINING			
FD01-88-155	1				
88-152		ADJUSTER NO.3			
FD01-88-152	1				
88-153		ADJUSTER NO.4			
FD01-88-153	1				
5301 FD333 -400027					



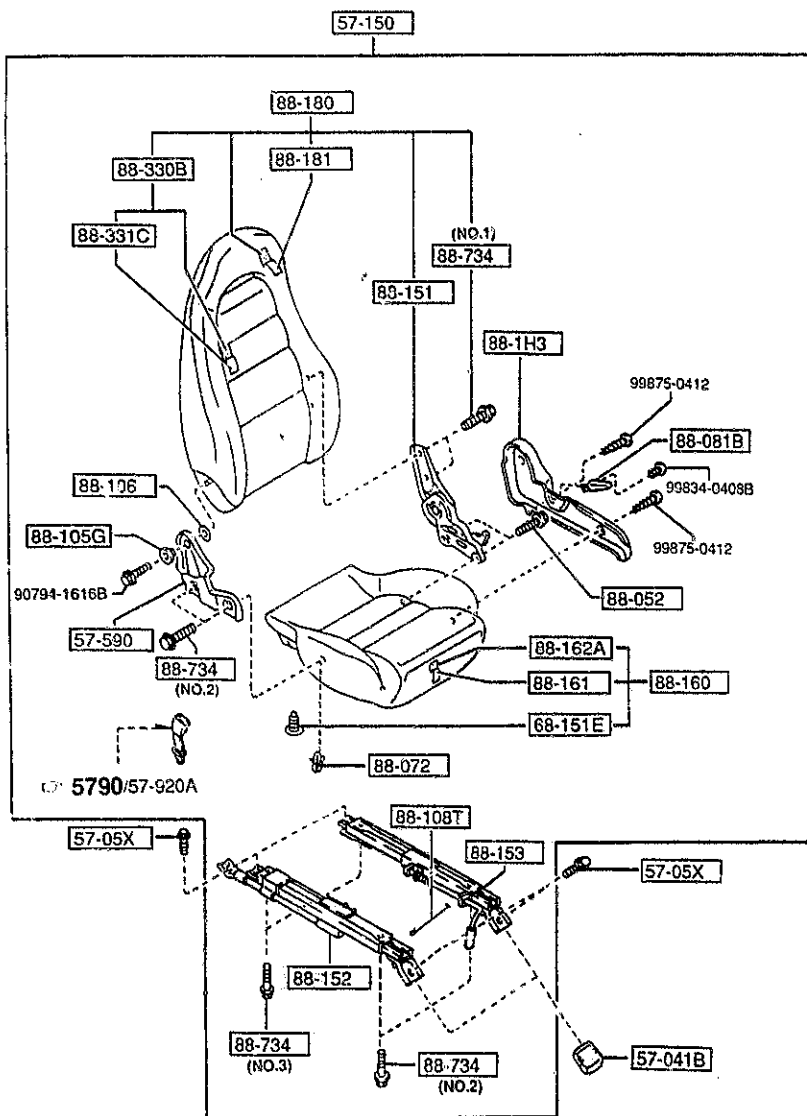
PART NO.	QTY	MODEL/RESTRICTION	MODEL/RESTRICTION	MODEL/RESTRICTION	FROM-TO
88-160		CUSHION(L),FRT SEAT			
FD03-88-160	1	R2, R3, (STC TYPE)			-4801
02	INT-	FE5 BLACK			
FD01-88-160	1	BASE, (STA TYPE)			-5301
02	INT-	FE5 BLACK			
FD05-88-160	1	OPT-PKG, TOURING, (STD TYPE)			-5301
02	INT-	FE5 BLACK			
18	INT-	FE7 RED			
34	INT-	FE6 TAN			
FD03-88-160A	1	R2, R3, (STC TYPE)			4801-5301
02	INT-	FE5 BLACK			
FD01-88-160A	1	BASE, (STA TYPE)			5301-
02	INT-	FE5 BLACK			
FD03-88-160B	1	R2, R3, (STC TYPE)			5301-
02	INT-	FE5 BLACK			
FD05-88-160A	1	OPT-PKG, TOURING, (STD TYPE)			5301-
02	INT-	FE5 BLACK			
18	INT-	FE7 RED			
34	INT-	FE6 TAN			
88-161		TRIM(L),SEAT CUSHION			
FD03-88-161	1	R2, R3, (STC TYPE)			-4801
02	INT-	FE5 BLACK			
FD01-88-161	1	BASE, (STA TYPE)			-5301
02	INT-	FE5 BLACK			
FD05-88-161	1	OPT-PKG, TOURING, (STD TYPE)			-5301
02	INT-	FE5 BLACK			
18	INT-	FE7 RED			
34	INT-	FE6 TAN			
FD03-88-161A	1	R2, R3,			4801-5301
4801 FD333 -400022					
5301 FD333 -400027					



PART NO.	QTY	MODEL/RESTRICTION	MODEL/RESTRICTION	MODEL/RESTRICTION	FROM-TO
CONT'D		(STC TYPE)			
02	INT-	FE5 BLACK			
FD01-88-161A	1	BASE, (STA TYPE)			5301-
02	INT-	FE5 BLACK			
FD03-88-161B	1	R2, R3, (STC TYPE)			5301-
02	INT-	FE5 BLACK			
FD05-88-161A	1	OPT-PKG, TOURING, (STD TYPE)			5301-
02	INT-	FE5 BLACK			
18	INT-	FE7 RED			
34	INT-	FE6 TAN			
88-162A		PAD(L), CUSHION-FRT			
FD01-88-162	1				
88-180		BACK(L), FRONT SEAT			
FD03-88-180A	1	R2, R3, (STC TYPE)			-4001
02	INT-	FE5 BLACK			
FD01-88-180A	1	BASE, (STA TYPE)			-5301
02	INT-	FE5 BLACK			
FD05-88-180	1	OPT-PKG, TOURING, (STD TYPE)			-5301
02	INT-	FE5 BLACK			
18	INT-	FE7 RED			
34	INT-	FE6 TAN			
FD03-88-180B	1	R2, R3, (STC TYPE)			4801-5301
02	INT-	FE5 BLACK			
FD01-88-180C	1	BASE, (STA TYPE)			5301-
02	INT-	FE5 BLACK			
FD03-88-180D	1	R2, R3, (STC TYPE)			5301-
02	INT-	FE5 BLACK			
FD05-88-180B	1	OPT-PKG, TOURING, (STD TYPE)			5301-
4801 FD333	-400022				
5301 FD333	-400027				



PART NO.	QTY	MODEL/RESTRICTION	MODEL/RESTRICTION	MODEL/RESTRICTION	FROM-TO
CONT'D					
02	INT-	FE5 BLACK			
18	INT-	FE7 RED			
34	INT-	FE6 TAN			
88-181		TRIM(L), SEAT BACK			
FD01-88-181	1	BASE, (STA TYPE)			-5301
02	INT-	FE5 BLACK			
FD03-88-181	1	R2, R3, (STC TYPE)			-5301
02	INT-	FE5 BLACK			
FD05-88-181	1	OPT-PKG, TOURING, (STD TYPE)			-5301
02	INT-	FE5 BLACK			
18	INT-	FE7 RED			
34	INT-	FE6 TAN			
FD01-88-181A	1	BASE, (STA TYPE)			5301-
02	INT-	FE5 BLACK			
FD03-88-181A	1	R2, R3, (STC TYPE)			5301-
02	INT-	FE5 BLACK			
FD05-88-181A	1	OPT-PKG, TOURING, (STD TYPE)			5301-
02	INT-	FE5 BLACK			
18	INT-	FE7 RED			
34	INT-	FE6 TAN			
88-330B		BACK(C), FRT SEAT			
FD03-88-6D0A	2	R2, R3, (STC TYPE)			-4801
02	INT-	FE5 BLACK			
FD01-88-6D0A	2	BASE, (STA TYPE)			-5301
02	INT-	FE5 BLACK			
FD05-88-6D0	2	OPT-PKG, TOURING, (STD TYPE)			-5301
02	INT-	FE5 BLACK			
18	INT-	FE7 RED			
34	INT-	FE6 TAN			
4801	FD333	-400022			
5301	FD333	-400027			



5700 -10 FRONT SEATS

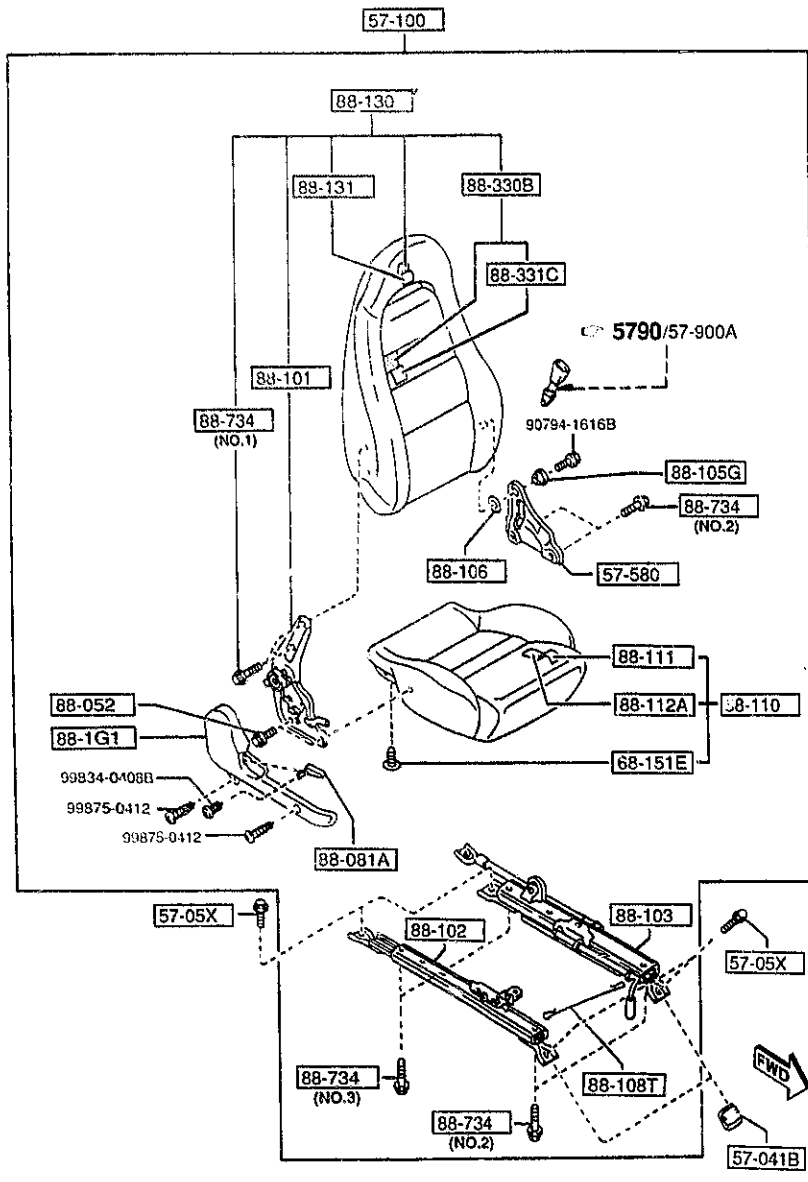
PART NO.	QTY	MODEL/RESTRICTION	MODEL/RESTRICTION	MODEL/RESTRICTION	FROM-TO
CONT'D					
FD03-88-6D0B	2	R2, R3, (STC TYPE)			4801-5301
02	INT-	FE5 BLACK			
FD01-88-6D0B	2	BASE, (STA TYPE)			5301-
02	INT-	FE5 BLACK			
FD03-88-6D0C	2	R2, R3, (STC TYPE)			5301-
02	INT-	FE5 BLACK			
FD05-88-6D0A	2	OPT-PKG, TOURING, (STD TYPE)			5301-
02	INT-	FE5 BLACK			
18	INT-	FE7 RED			
34	INT-	FE6 TAN			
88-331C		TRIM(C), FRT BACK			
FD03-88-6D2A	2	R2, R3, (STC TYPE)			-4801
02	INT-	FE5 BLACK			
FD01-88-6D2A	2	BASE, (STA TYPE)			-5301
02	INT-	FE5 BLACK			
FD05-88-6D2	2	OPT-PKG, TOURING, (STD TYPE)			-5301
02	INT-	FE5 BLACK			
18	INT-	FE7 RED			
34	INT-	FE6 TAN			
FD03-88-6D2B	2	R2, R3, (STC TYPE)			4801-5301
02	INT-	FE5 BLACK			
FD01-88-6D2B	2	BASE, (STA TYPE)			5301-
02	INT-	FE5 BLACK			
FD03-88-6D2C	2	R2, R3, (STC TYPE)			5301-
02	INT-	FE5 BLACK			
FD05-88-6D2A	2	OPT-PKG, TOURING, (STD TYPE)			5301-
02	INT-	FE5 BLACK			
18	INT-	FE7 RED			
4801 FD333 -400022					
5301 FD333 -400027					



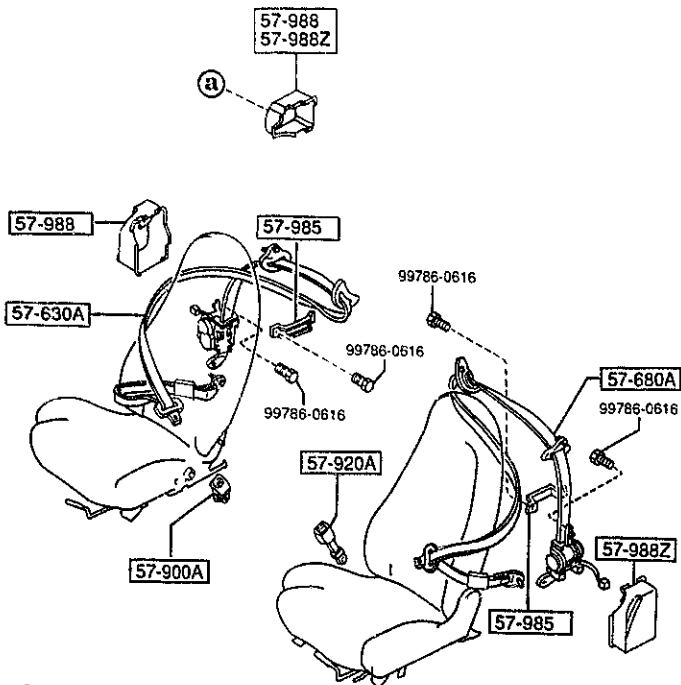
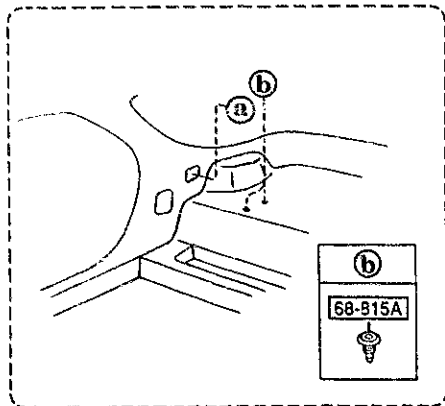
5700 -11\* FRONT SEATS

5700 FRONT SEATS

(2/3)



PART NO.	QTY	MODEL/RESTRICTION	MODEL/RESTRICTION	MODEL/RESTRICTION	FROM - TO
CDNT'D 34	INT-	FE6 TAN			
88-734		BOLT			
8456-88-815	4	(ILLUST. NO.1)			
B260-88-818	8	(ILLUST. NO.2)			
EA01-88-818	4	(ILLUST. NO.3)			

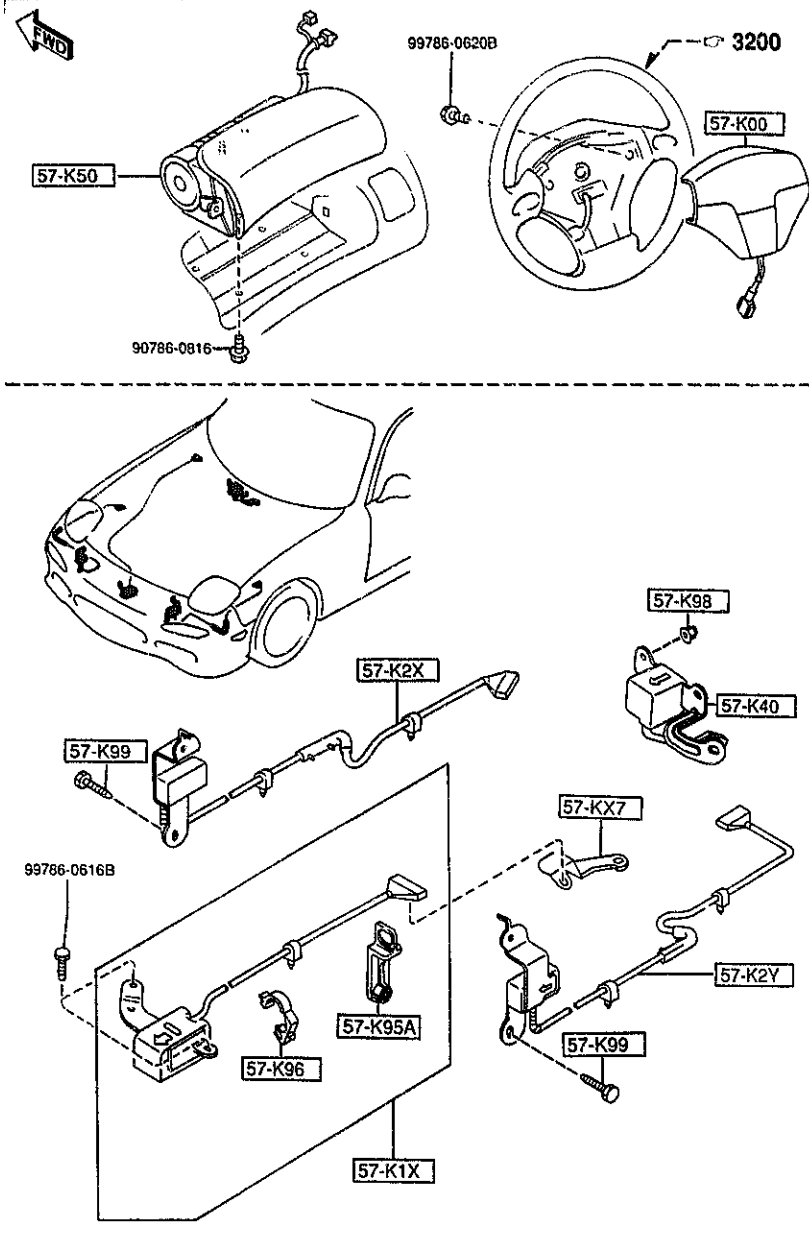


PART NO.	QTY	MODEL/RESTRICTION	MODEL/RESTRICTION	MODEL/RESTRICTION	FROM TO
57-630A		BELT*B*(R),FRT SEAT			
FD15-57-630F	1				
00	INT-	FE5 FE6 FE7 BLACK			
57-680A		BELT*B*(L),FRT SEAT			
FD15-57-690F	1				
00	INT-	FE5 FE6 FE7 BLACK			
57-900A		BELT*A*(R),FRT SEAT			
FD01-57-620B	1				
02	INT-	FE5 FE6 FE7 BLACK			
57-920A		BELT*A*(L),FRT SEAT			
FD01-57-680B	1				
02	INT-	FE5 FE6 FE7 BLACK			
57-985		PLATE SET,SEAT BELT			
FD01-57-985A	2				
57-988		COVER(R),RETRACTOR			
FD01-57-988	1	(FOR FRONT)			
F100-57-988	1	(FOR REAR)			
57-988Z		COVER(L),RETRACTOR			
FD01-57-989	1	(FOR FRONT)			
F100-57-989	1	(FOR REAR)			
68-815A		TACKER			
1011-68-815	4				





5795 AIR BAG

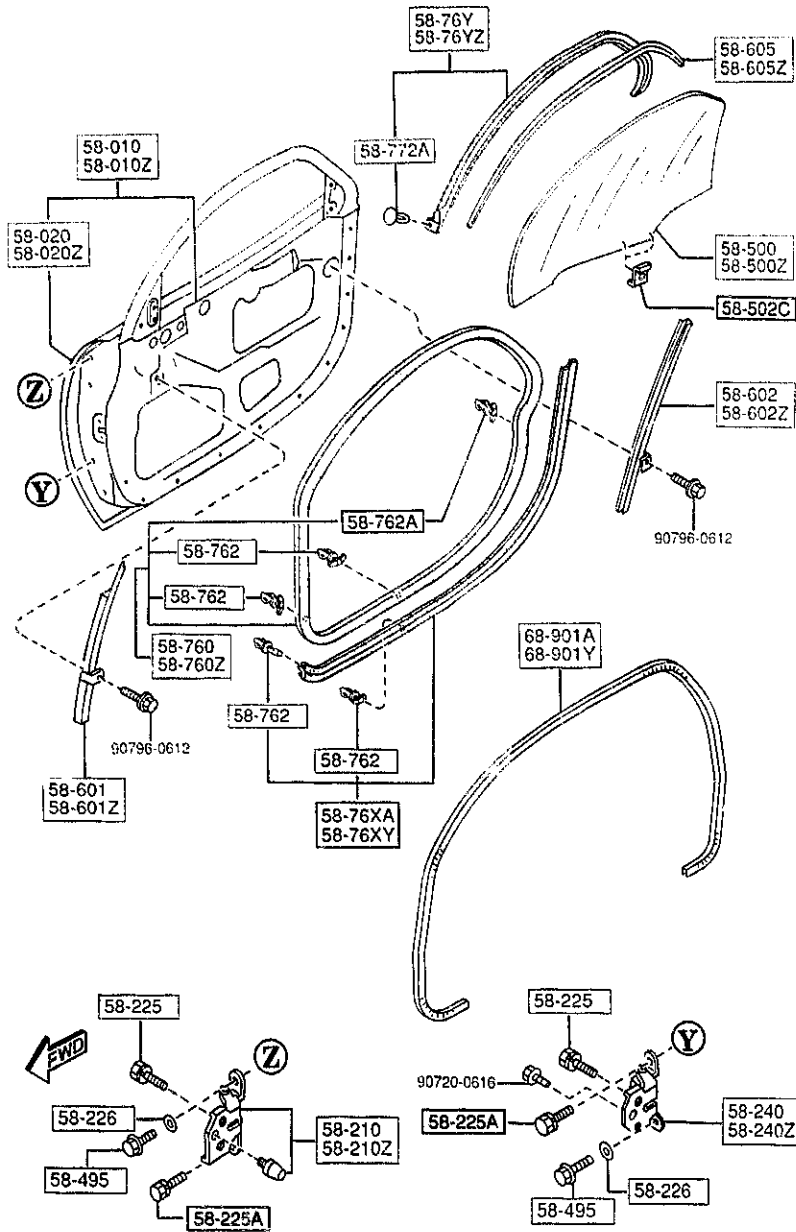


PART NO.	QTY	MODEL/RESTRICTION	MODEL/RESTRICTION	MODEL/RESTRICTION	FROM-TO
57-KX7		BRACKET,AIR BAG			
FD01-57-KX7	1				
57-K00		MODULE,AIR BAG			
FD15-57-K00A	1				
57-K1X		SENSOR,AIR BAG			
FD01-57-K1XD	1				
57-K2X		SENSOR(R),AIR BAG			
FD15-57-K2X	1				
57-K2Y		SENSOR(L),AIR BAG			
FD01-57-K2YC	1				
57-K40		SENSOR,AIR BAG-INNER			
FD01-57-K40A	1				
57-K50		MODULE,AIR BAG PASSENGER			
FD15-57-K7X	1				
57-K95A		CLIP,AIR BAG			
FD01-57-K95	1				
57-K96		CLIP			
FD01-57-K96	1				
57-K98		NUT			
FC66-57-K98	2				
57-K99		SCREW,TAPPING			
FC66-57-K99	4				



5800 -2 FRONT DOORS

5800 FRONT DOORS

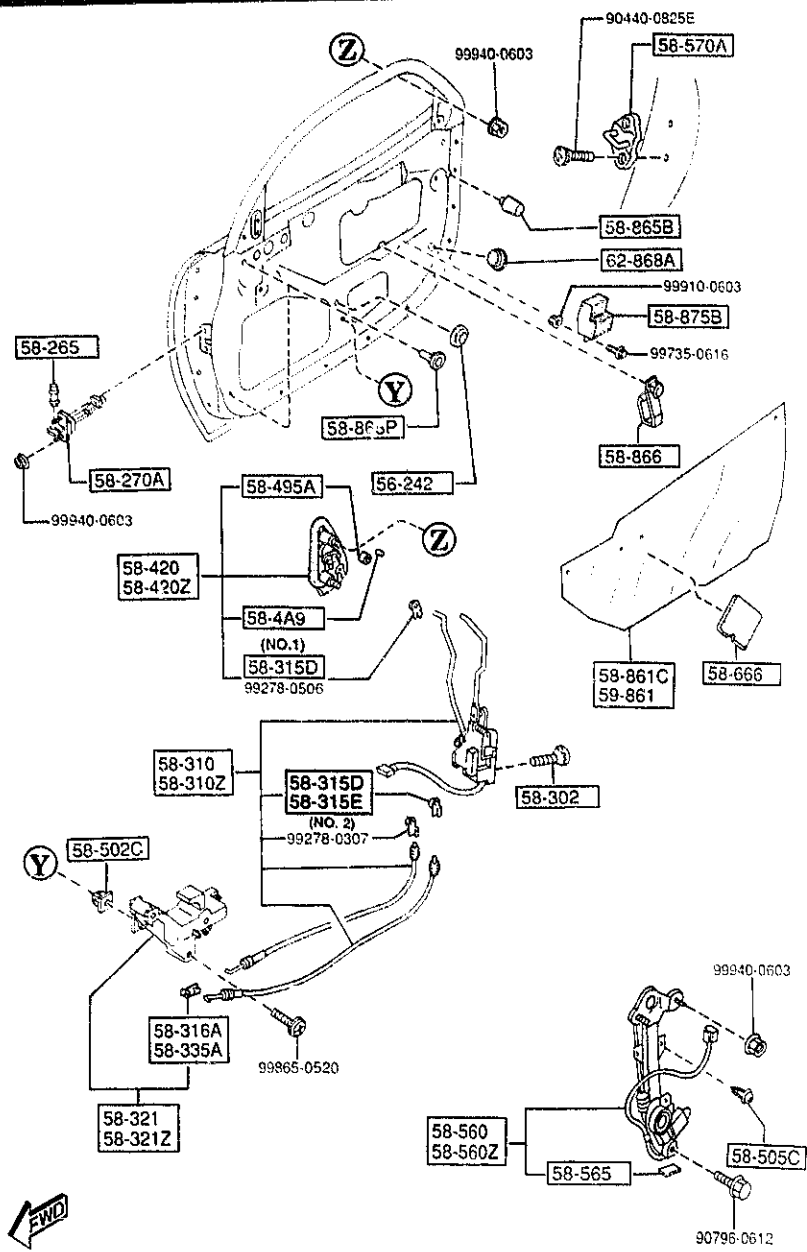


PART NO.	QTY	MODEL/RESTRICTION	MODEL/RESTRICTION	MODEL/RESTRICTION	FROM-TO
CONT'D					
FD15-58-511A	1				
58-500Z		GLASS(L), DOOR-FRT			
FD15-59-511A	1				
58-502C		GROMMET, SCREW			
S084-58-502	4				
58-601		GUIDE'A'(R), GLASS			
FD01-58-601B	1				
58-601Z		GUIDE'A'(L), GLASS			
FD01-59-601B	1				
58-602		GUIDE'B'(R), GLASS			
FD01-58-603A	1				
58-602Z		GUIDE'B'(L), GLASS			
FD01-59-603A	1				
58-605		CHANNEL(R), GLASS			
FD01-58-605E	1				
58-605Z		CHANNEL(L), GLASS			
FD01-59-605E	1				
58-76XA		WEATHERSTRIP(R), DOOR-LOW.			
FD01-58-76XA	1				
58-76XY		WEATHERSTRIP(L), DOOR-LOW.			
FD01-59-76XA	1				
58-76Y		WTHSTP(R), GLASS-F. DOOR			
FD01-58-76VF	1				
58-76YZ		WTHSTP(L), GLASS-F. DOOR			
FD01-59-76VF	1				
58-760		WEATHERSTRIP(R), DOOR			
FD01-58-760D	1				



5830 FRONT DOOR MECHANISMS

5830 -1 FRONT DOOR MECHANISMS



PART NO.	QTY	MODEL/RESTRICTION	MODEL/RESTRICTION	MODEL/RESTRICTION	FROM-TO
56-242		PLUG, DRAIN			
0118-56-242B	2				
58-265		PIN, CHECKER			
BC1D-58-265	2				
58-270A		CHECKER, DOOR			
FD01-58-270B	2				
58-302		SCREW, TAPPING-DOOR LOCK			
GASR-58-302A	6				
58-310		LOCK (R), DOOR			
FD15-58-310	1				
58-310Z		LOCK (L), DOOR			
FD15-59-310	1				
58-315D		CLIP (R)			
FD01-58-315	1 (ILLUST. NO.1)				
G030-59-315	1 (ILLUST. NO.2)				
58-315E		CLIP (L)			
G030-58-315	1				
58-316A		CLIP			
B001-59-335	2 (FOR RIGHT)				
58-321		HANDLE (R), INNER			
FD01-58-330C	1				
00	INT-	FE5 FE6 FE7 BLACK			
58-321Z		HANDLE (L), INNER			
FD01-59-330C	1				
00	INT-	FE5 FE6 FE7 BLACK			
58-335A		CLIP			
FB01-58-335	2 (FOR LEFT)				
58-4A9		PLUG, OUTER HANDLE			

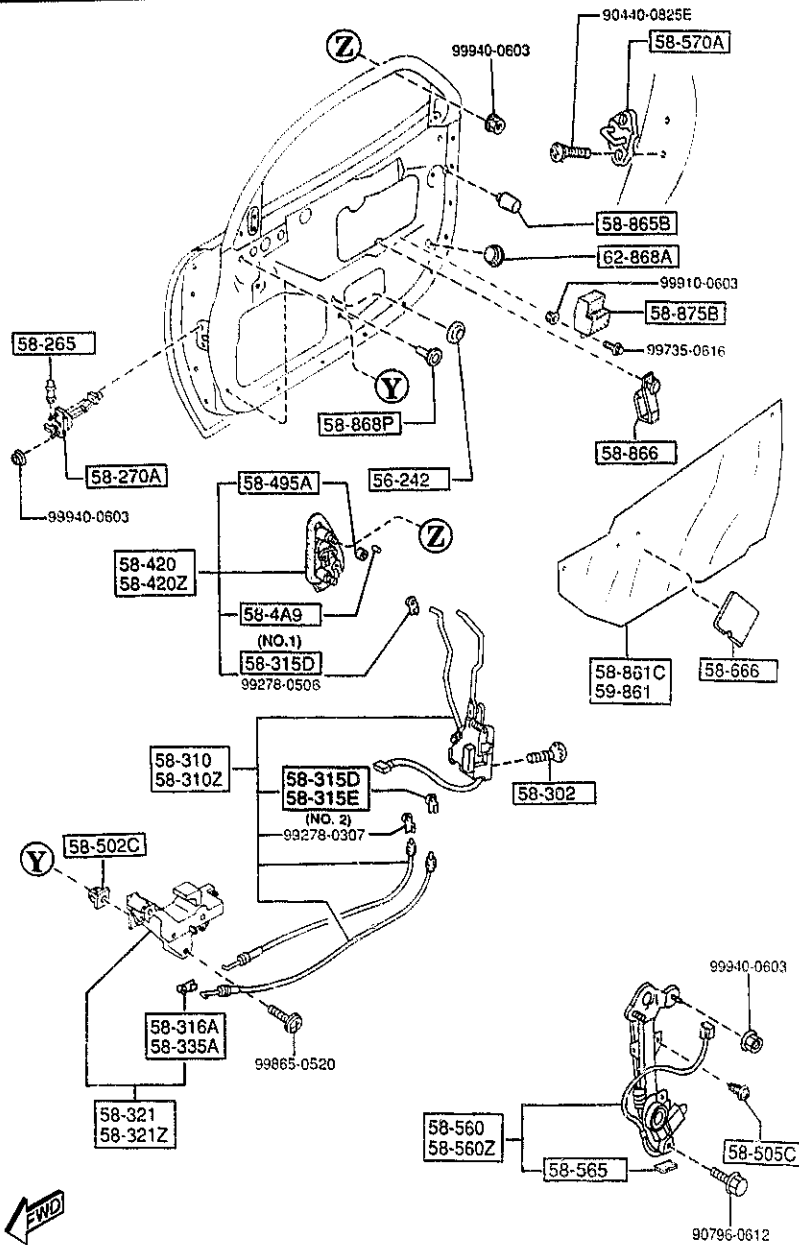
AWD  
AUFAG6

CAT. AUFAG6-04

1997-01

5830 FRONT DOOR MECHANISMS

5830 -2 FRONT DOOR MECHANISMS



PART NO.	QTY	MODEL/RESTRICTION	MODEL/RESTRICTION	MODEL/RESTRICTION	FROM-TO
CONT'D HG30-58-4A9	1				
58-420		HANDLE(R), OUT.			
FD15-58-410C A (FD15-58-410D)	1				-5106
FD15-58-410D	1				5106-
58-420Z		HANDLE(L), OUT.			
FD15-59-410C A (FD15-59-410D)	1				-5201
FD15-59-410D	1				5201-
58-495A		RETAINER, LOCK CYL.			
J001-58-495	2				
58-502C		GROMMET, SCREW			
FD01-58-332	10				
58-505C		SCREW, WINDOW REGULAT OR			
B092-58-505	4				
58-560		REGULATOR(R), WINDOW			
FD15-58-560B AN(FD15-58-560C)	1				-5418
FD15-58-560C	1				5418-
58-560Z		REGULATOR(L), WINDOW			
FD15-59-560B AN(FD15-59-560C)	1				-5417
FD15-59-560C	1				5417-
58-565		RUBBER, STOPPER			
GA7C-58-565	2				
58-570A		STRIKER			
FD01-58-361	2				
58-666		SHEET			
B092-58-862	5				-4C01
B092-58-862	2				4C01-
4C01 FD333 -400022					
5106 FD333 -400025					
5201 FD333 -400026					
5417 FD333 -400028					
5418 FD333 -400030					

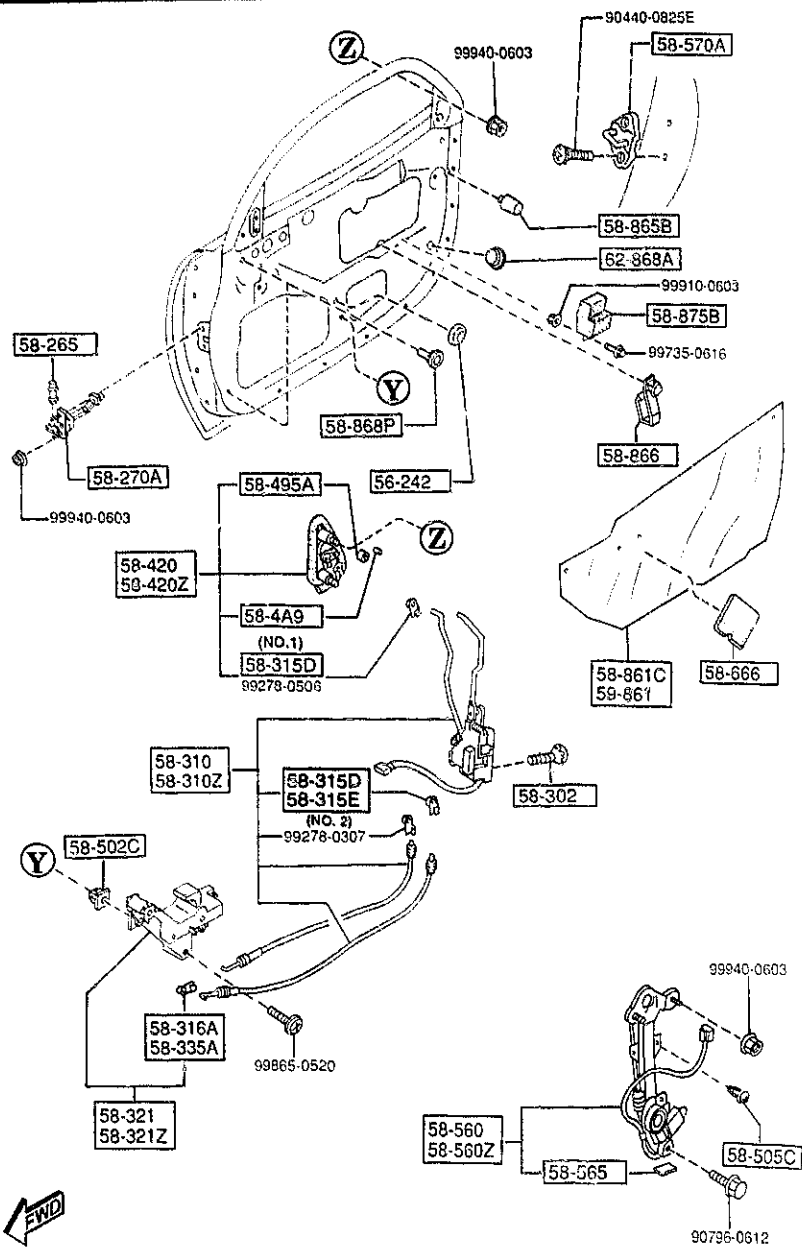
AUFA06

CAT. AUFA06-04

1997-01

5830 -3 \* FRONT DOOR MECHANISMS

5830 FRONT DOOR MECHANISMS



PART NO.	QTY	MODEL/RESTRICTION	MODEL/RESTRICTION	MODEL/RESTRICTION	FROM-TO
58-861C FD15-58-861B	1	SCREEN(R),FRONT DOOR			
58-865B G067-58-873	2	CUSHION,RUBBER			
58-866 B03B-58-866	4	CLIP			
58-868P FD01-58-868	4	COVER,HOLE-DOOR BODY			-4C01
58-875B FD15-58-875E	2	PAD			4C01-
59-861 FD15-59-861B	1	SCREEN(L),FRONT DOOR			
62-868A B499-62-868	2	COVER,HOLE-LIFT GATE			-4B01
4B01 FD333 -400022 4C01 FD333 -400022					

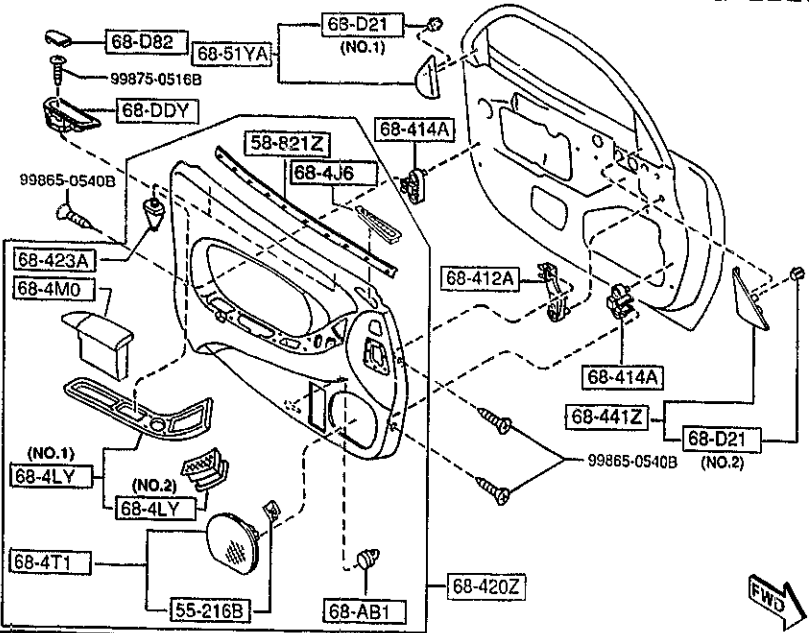
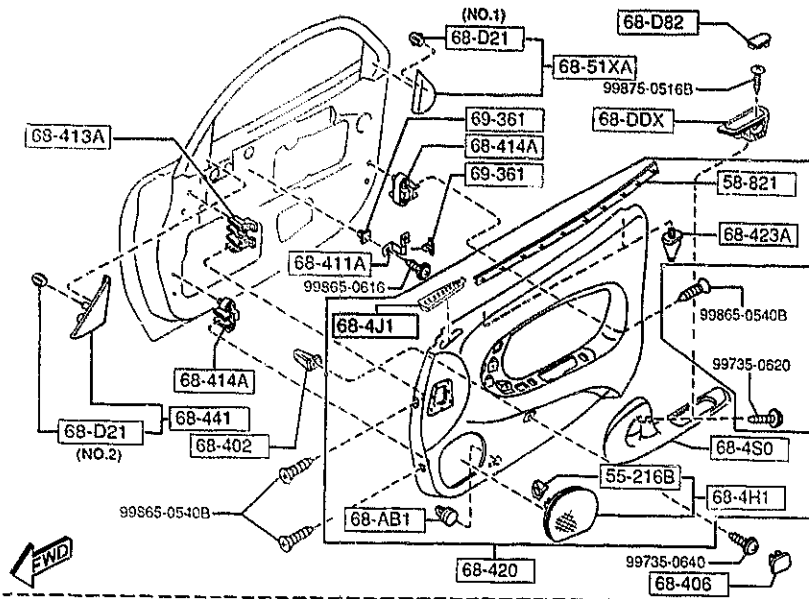
← EWD  
AUFA06

CAT. AUFA06-04

1997-01

2-K16

5840 FRONT DOOR TRIMS & RELATED PARTS



PART NO.	QTY	MODEL/RESTRICTION	MODEL/RESTRICTION	MODEL/RESTRICTION	FRONT
55-216B		SPRING,CENTER PANEL			
8092-55-257	4				
58-821		WEATHERSTRIP(R),INN.			
FD01-58-821	1				
58-821Z		WEATHERSTRIP(L),INN.			
FD01-59-821	1				
68-AB1		FASTENER			
6350-68-AB1	6				
68-DDX		PANEL(R),RECESS			
FD01-68-DDXE	1				
00	INT-	FE5 FE6 FE7 BLACK			
68-DDY		PANEL(L),RECESS			
FD01-68-DDYE	1				
00	INT-	FE5 FE6 FE7 BLACK			
68-D21		CLIP,TRIM			
FD01-68-D21	4	(ILLUST. NO.1)			
LA10-68-D21	2	(ILLUST. NO.2)			
68-D82		CAP,ASSIST-DOOR TRIM			
FD01-68-D82A	2				
00	INT-	FE5 FE6 FE7 BLACK			
68-4H1		GRILLE(R),SPEAKER			
FD01-68-4H0B	1				
02	INT-	FE5 FE6 FE7 BLACK			
68-4J1		GRILLE(R),SIDE DEMIS TER			
FD01-68-4J1	1				
02	INT-	FE5 FE6 FE7 BLACK			
68-4J6		GRILLE(L),SIDE DEMIS TER			
FD01-68-4J6	1				
02	INT-	FE5 FE6 FE7 BLACK			

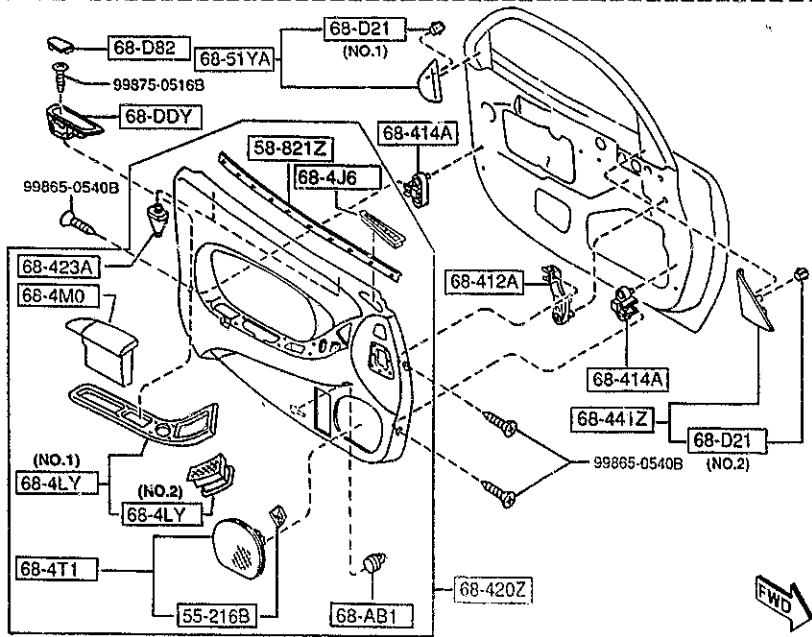
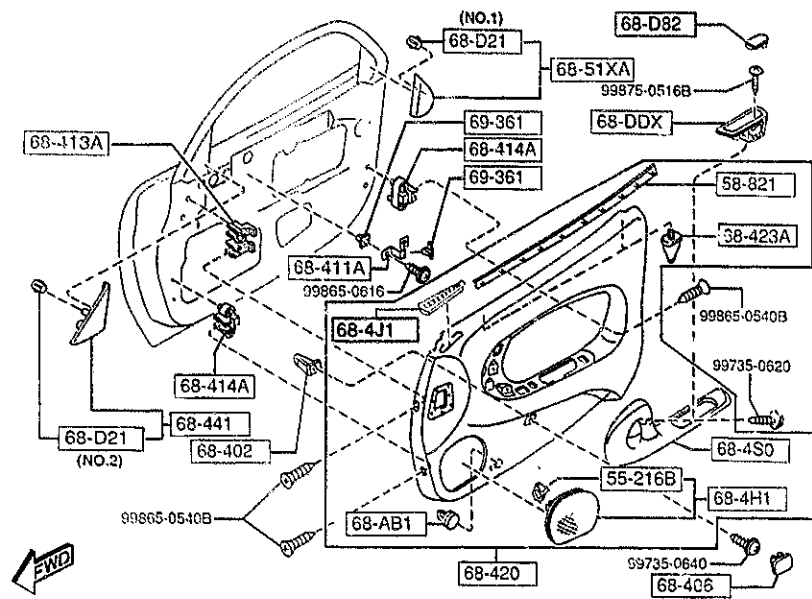
AUFA06

CAT. AUFA06-04

1997-01



5840 FRONT DOOR TRIMS & RELATED PARTS



PART NO.	QTY	MODEL/RESTRICTION	MODEL/RESTRICTION	MODEL/RESTRICTION	FROM-TO
68-4LY		PANEL(L), SWITCH			
FD15-68-4LY	1	(ILLUST. NO.1)			
00	INT-	FE5 FE6 FE7 BLACK			
68-4M0		LID(L), ARM REST-TRIM			
FD15-68-4M0B	1				
00	INT-	FE5 FE6 FE7 BLACK			
68-450		GRIP, FRT ASSIST			
FD15-69-44X	1				
00	INT-	FE5 FE6 FE7 BLACK			
68-4T1		GRILLE(L), SPEAKER			
FD01-68-4W0B	1				
02	INT-	FE5 FE6 FE7 BLACK			
68-402		GROMMET, SCREW			
H380-68-402	2				
68-406		CAP, DOOR TRIM			
FD01-68-406	1				
02	INT-	FE5 FE6 FE7 BLACK			
68-411A		BRACKET, TRIM			
FD01-68-411	1				
68-412A		BRACKET, TRIM			
FD01-68-412A	1				
68-413A		BRACKET, TRIM			
FD01-68-413B	1				
68-414A		BRACKET, TRIM			
FD01-68-414A	4				
68-420		TRIM(R), DOOR			
FD15-68-420J	1				

AUFA06

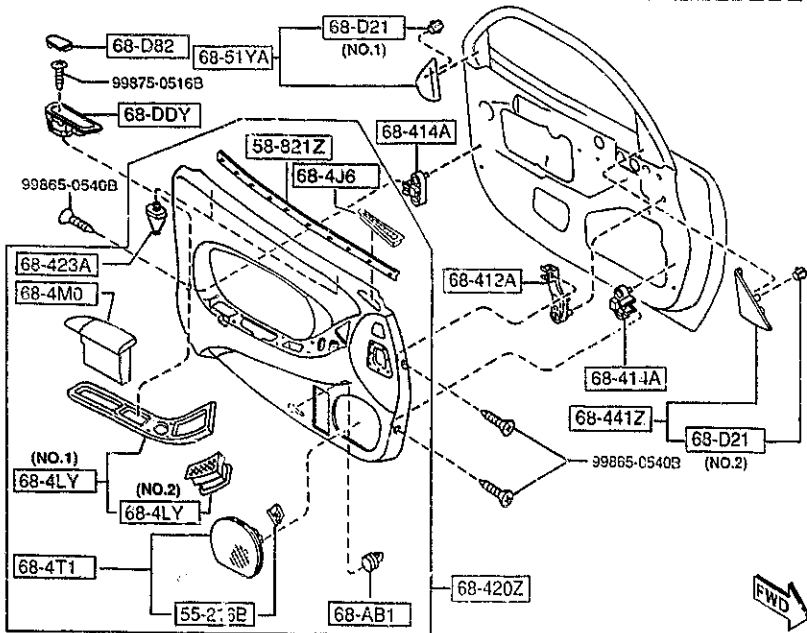
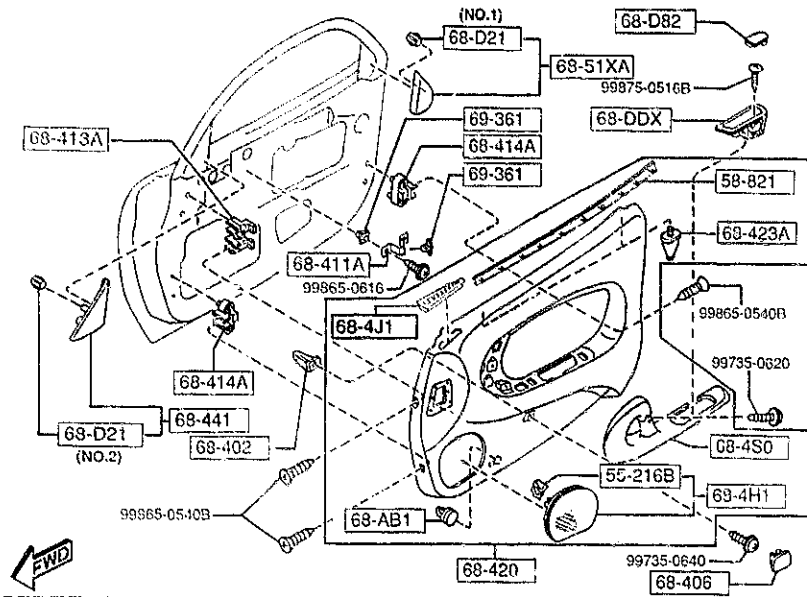
CAT. AUFA06-04

1997-01

2-M16

5840 -3 \* FRONT DOOR TRIMS & RELATED PARTS

5840 FRONT DOOR TRIMS & RELATED PARTS



PART NO.	QTY	MODEL/RESTRICTION	MODEL/RESTRICTION	MODEL/RESTRICTION	FROM TO
CONT'D					
02	INT-	FES FE6 FE7 BLACK			
68-420Z		TRIM(L), DOOR			
FD15-68-450J	1				
02	INT-	FES FE6 FE7 BLACK			
68-423A		PIN, LOCATOR			
FD01-68-423A	4				
68-441		GARNISH(R), DOOR			
FD01-68-DJXC	1				
68-441Z		GARNISH(L), DOOR			
FD01-68-DJYC	1				
68-51XA		GARNISH(R), SAIL-INN.			
FD01-68-51XA	1				
68-51YA		GARNISH(L), SAIL-INN.			
FD01-68-51YD	1				
69-361		GROMMET, SCREW			
B316-69-361	3				

AUFA06

CAT. AUFA06-04

1997-01