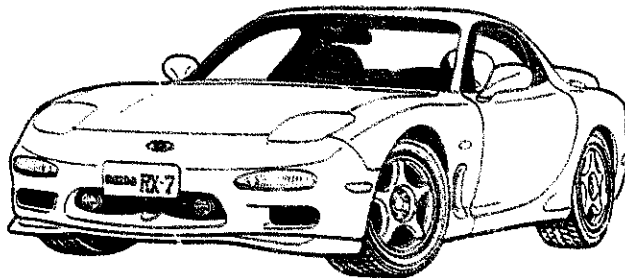


# Parts Catalog

Mazda RX-7  
U.S.A.  
'93



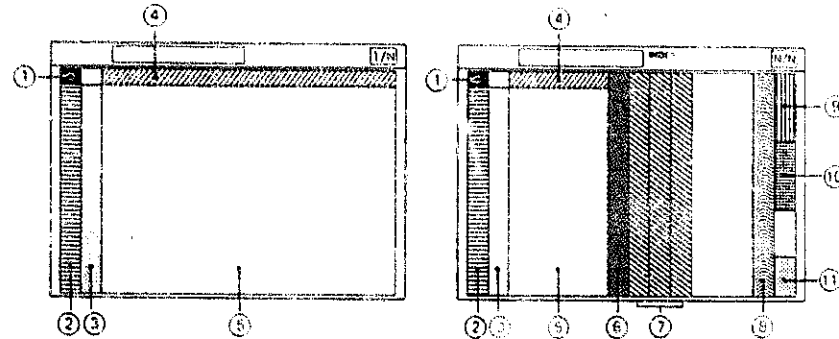
FD3\*\*\*-200001-300000

Oct. '94 (FINAL)  
Catalog No. AU-FA04-06

**Mazda**  
© 1994 Mazda Motor Corporation

## LAYOUT OF CONTENTS / DISPOSITION TYPOGRAPHIQUE DE CONTENU / DISPOSICION DEL CONTENIDO / ANORDNUNG DES INHALTS




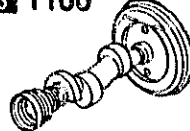



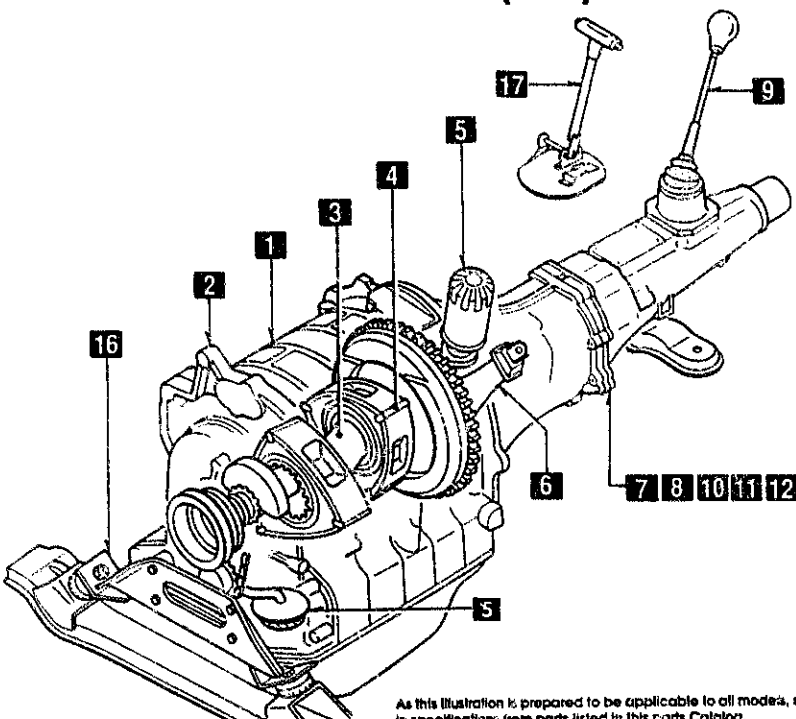
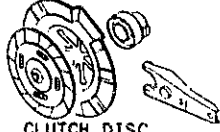

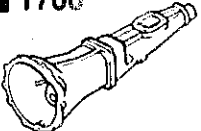

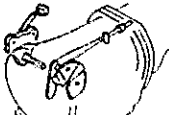
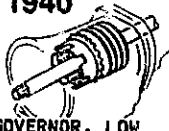

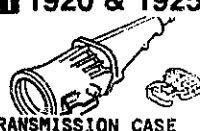


- The following is a typical example of the layout of contents on Mazda microfiche parts catalog
- Voici un exemple typique de la disposition typographique de contenu dans les microfiches de catalogue des pièces de Mazda
- El siguiente es un ejemplo típico de la disposición del contenido en una microficha del catálogo de repuestos de Mazda.
- Folgendes ist ein typisches Beispiel der Inhaltsanordnung des Mazda-Mikrofiche Teilekatalogs.








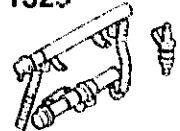
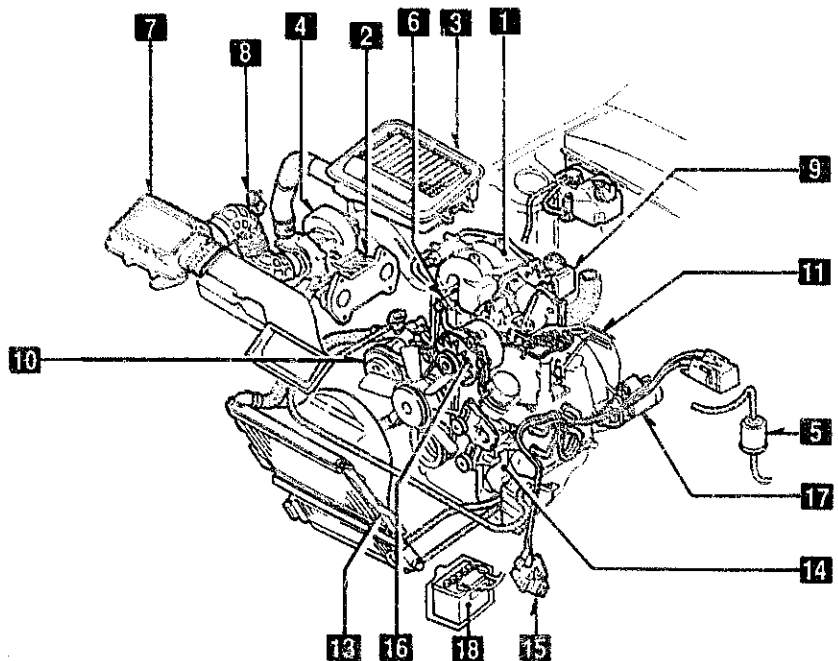
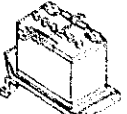
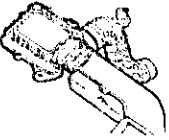

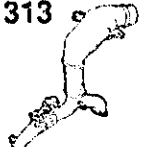
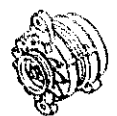

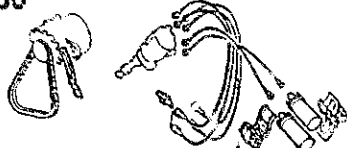
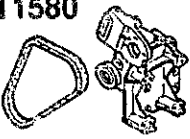
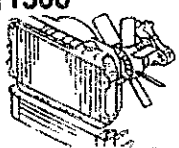

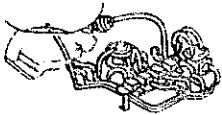
Remark : The items listed under ④ have been deleted from each fiche since Dec. '93

- |  |   |  |
|--|---|--|
| ① • Layout of contents<br>• Disposition Typographique de Contenu<br>• Disposición del contenido<br>• Anordnung des Inhalts   | ② • Pictorial Index<br>• Index par Schémas<br>• Índice Gráfico<br>• Illustrierter Index                           | ③ • Master Section No. Index<br>• Index des Numéros des Sections Totale<br>• Índice del Número de la Sección Maestra<br>• Hauptabschnittsnummer-Index      |
| <del>④ • Section No. Index for the Column<br/>• Index des Numéros des Sections pour les Colonnes<br/>• N° de la Sección para el Índice<br/>• Abschnittsnummer-Index für die Spalte</del> | ⑤ • Illustration & Text<br>• Illustrations et Textes<br>• Ilustración y Texto<br>• Abbildung und Text             | ⑥ • Part No. Index<br>• Index des Numéros des Pièces<br>• Índice del N° de Pieza<br>• Teile-Nr.-Index  |
| ⑦ • Alphabetical Index<br>• Index Alphabétique<br>• Índice Alfabético<br>• Alphabetischer Index  | ⑧ • Model Identification<br>• Identification des Modèles<br>• Identificación del Modelo<br>• Modell-Kennzeichnung | ⑨ • Vehicle Identification System<br>• Système d'Identification de Véhicule<br>• Sistema de Identificación de Vehículo<br>• Fahrzeug-Identifikationssystem |

## PICTORIAL INDEX

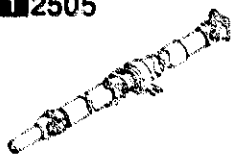

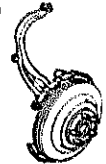

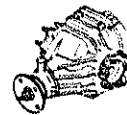



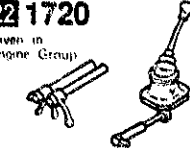
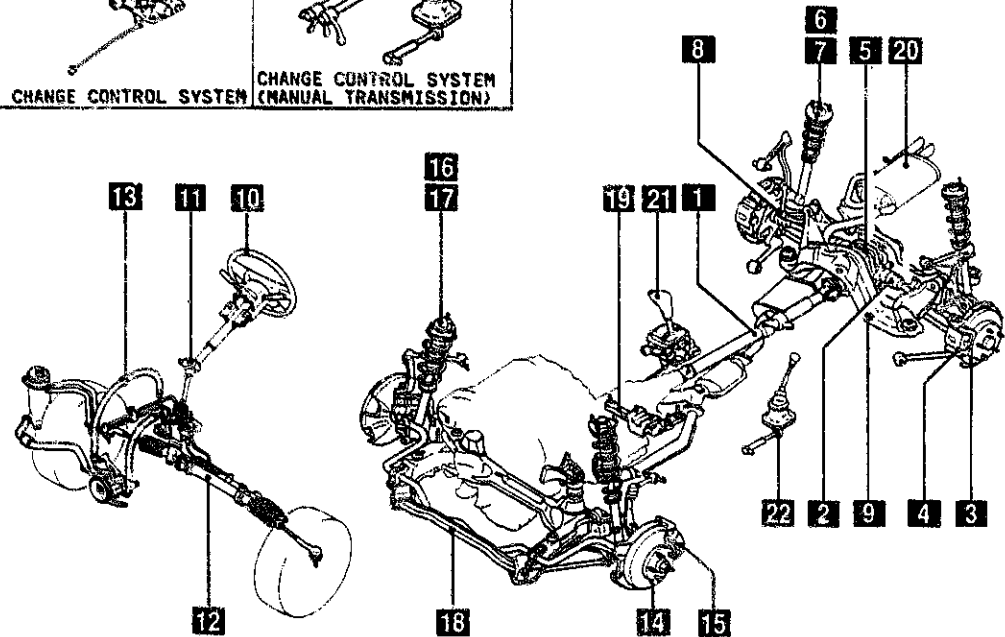


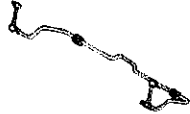


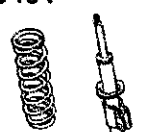

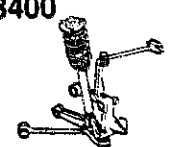



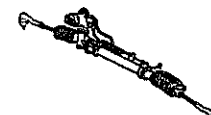

<p><b>1000</b></p>  <p style="text-align: center;"><b>ENGINE &amp; GASKET SETS</b></p>	<p><b>1 1030</b></p>  <p style="text-align: center;"><b>ROTOR HOUSINGS</b></p>	<p><b>2 1040</b></p>  <p style="text-align: center;"><b>OIL PAN, FRONT &amp; REAR HOUSING</b></p>	<p><b>3 1100</b></p>  <p style="text-align: center;"><b>ECCENTRIC SHAFT &amp; FLYWHEEL</b></p>	<p><b>4 1110</b></p>  <p style="text-align: center;"><b>ROTORS &amp; RELATED PARTS</b></p>	<p><b>5 1400</b></p>  <p style="text-align: center;"><b>OIL PUMP &amp; FILTER</b></p>
<p><b>17 4600</b></p> <p style="text-align: center;">Given in Chassis Group</p>  <p style="text-align: center;"><b>CHANGE CONTROL SYSTEM (AT)</b></p>	<p style="font-size: 24pt; font-weight: bold;">ENGINE (1/2)</p> 				<p><b>6 1600</b></p>  <p style="text-align: center;"><b>CLUTCH DISC &amp; COVER (MANUAL)</b></p>
<p><b>16 3900</b></p> <p style="text-align: center;">Given in Chassis Group</p>  <p style="text-align: center;"><b>ENGINE &amp; TRANSMISSION MOUNTINGS</b></p>	<p style="font-size: 8pt;">As this illustration is prepared to be applicable to all models, some parts are different in specifications from parts listed in this parts Catalog.</p>				<p><b>7 1700</b></p>  <p style="text-align: center;"><b>TRANSMISSION CASE (MANUAL)</b></p>
<p><b>15 1960</b></p>  <p style="text-align: center;"><b>GASKET &amp; SEAL KIT (AUTOMATIC)</b></p>	<p><b>14 1950</b></p>  <p style="text-align: center;"><b>MANUAL LINKAGE SYSTEM (AUTOMATIC)</b></p>	<p><b>13 1940</b></p>  <p style="text-align: center;"><b>GOVERNOR, LOW &amp; REVERSE PISTON (AUTOMATIC)</b></p>	<p><b>12 1930</b></p>  <p style="text-align: center;"><b>CLUTCHES &amp; PLANETARY GEARS (AUTOMATIC)</b></p>	<p><b>11 1920 &amp; 1925</b></p>  <p style="text-align: center;"><b>TRANSMISSION CASE &amp; MAIN CONTROL SYSTEM (AUTOMATIC)</b></p>	<p><b>9 1720</b></p> <p style="text-align: center;">Given in Chassis Group</p>  <p style="text-align: center;"><b>CHANGE CONTROL SYSTEM (MANUAL)</b></p>
<p><b>10 1910</b></p>  <p style="text-align: center;"><b>TORQUE CONVERTER, OIL PUMP &amp; PIPINGS (AUTOMATIC)</b></p>					

## PICTORIAL INDEX

<b>1</b> 1300  INLET MANIFOLD	<b>2</b> 1310  EXHAUST MANIFOLD	<b>3</b> 1311  INTER COOLER	<b>4</b> 1312  TURBO CHARGER	<b>5</b> 1320  FUEL SYSTEM	<b>6</b> 1325  FUEL DISTRIBUTOR
<h3 style="margin: 0;">ENGINE (2/2)</h3> 					
<b>13</b> 1850  BATTERY					<b>7</b> 1330  AIR CLEANER
<b>17</b> 1840  STARTER					<b>8</b> 1313  TWIN TURBO AIR INTAKE SYSTEM
<b>16</b> 1830  ALTERNATOR					<b>9</b> 1364  THROTTLE BODY
<b>15</b> 1800  ENGINE ELECTRICAL SYSTEM	<b>14</b> 1580  BRACKET, PULLEY & BELT	<b>18</b> 1500  COOLING SYSTEM	<b>12</b>	<b>10</b> 1371  AIR PUMP & AIR CONTROL VALVE	<b>11</b> 1380  EMISSION CONTROL SYSTEM




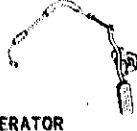
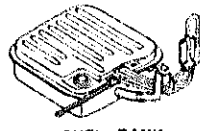

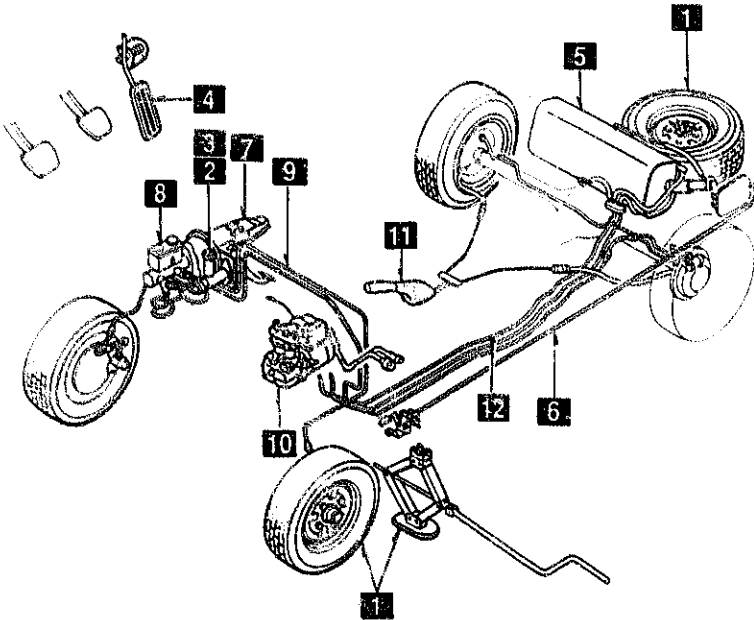
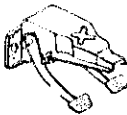
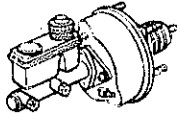

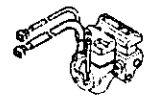


As this illustration is prepared to be applicable to all models, some parts are different in specifications from parts listed in this parts Catalog.

## PICTORIAL INDEX

<p><b>1</b> 2505</p>  <p>REAR PROPELLER SHAFT</p>	<p><b>2</b> 2550</p>  <p>REAR DRIVE SHAFT</p>	<p><b>3</b> 2600</p>  <p>REAR AXLE</p>	<p><b>4</b> 2610</p>  <p>REAR BRAKE MECHANISMS</p>	<p><b>5</b> 2710</p>  <p>REAR DIFFERENTIALS</p>	<p><b>6</b> 2800</p>  <p>REAR SUSPENSION MECHANISMS</p>	
<p><b>20</b> 4000</p>  <p>EXHAUST SYSTEM</p>	<p><b>21</b> 4600</p>  <p>CHANGE CONTROL SYSTEM</p>	<p><b>22</b> 1720 <small>(Given in Engine Group)</small></p>  <p>CHANGE CONTROL SYSTEM (MANUAL TRANSMISSION)</p>		<h3>CHASSIS (1/2)</h3> 		<p><b>7</b> 2801</p>  <p>REAR SPRING &amp; DAMPER</p>
<p><b>19</b> 3900</p>  <p>ENGINE &amp; TRANSMISSION MOUNTINGS</p>	<p><b>13</b> 11 10</p> <p><b>16</b> 17</p>		<p><b>19</b> 21 1</p> <p><b>22</b> 2 9 4 3</p>		<p><b>8</b> 2810</p>  <p>REAR STABILIZER</p>	
<p><b>18</b> 3410</p>  <p>CROSSMEMBER &amp; STABILIZER</p>	<p><b>12</b></p> <p><b>18</b></p>		<p><b>14</b> 15</p>		<p><b>9</b> 2830</p>  <p>REAR LOWER ARMS &amp; SUB FRAME</p>	
<p><b>17</b> 3401</p>  <p>FRONT SPRING &amp; DAMPER</p>	<p><b>13</b> 310</p>		<p><b>12</b> 3220</p>		<p><b>10</b> 3200</p>  <p>STEERING WHEEL</p>	
<p><b>16</b> 3400</p>  <p>FRONT SUSPENSION MECHANISMS</p>	<p><b>15</b> 3310</p>  <p>FRONT BRAKE MECHANISMS</p>	<p><b>14</b> 3300</p>  <p>FRONT AXLE</p>	<p><b>13</b> 3240</p>  <p>POWER STEERING SYSTEM (FRONT)</p>	<p><b>12</b> 3220</p>  <p>STEERING GEAR</p>	<p><b>11</b> 3210</p>  <p>STEERING COLUMN &amp; SHAFTS</p>	



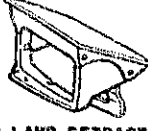

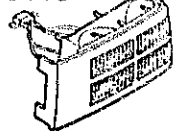

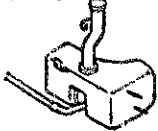
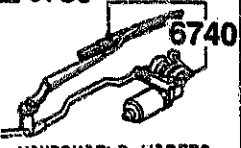

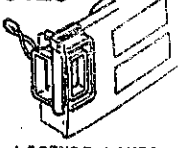

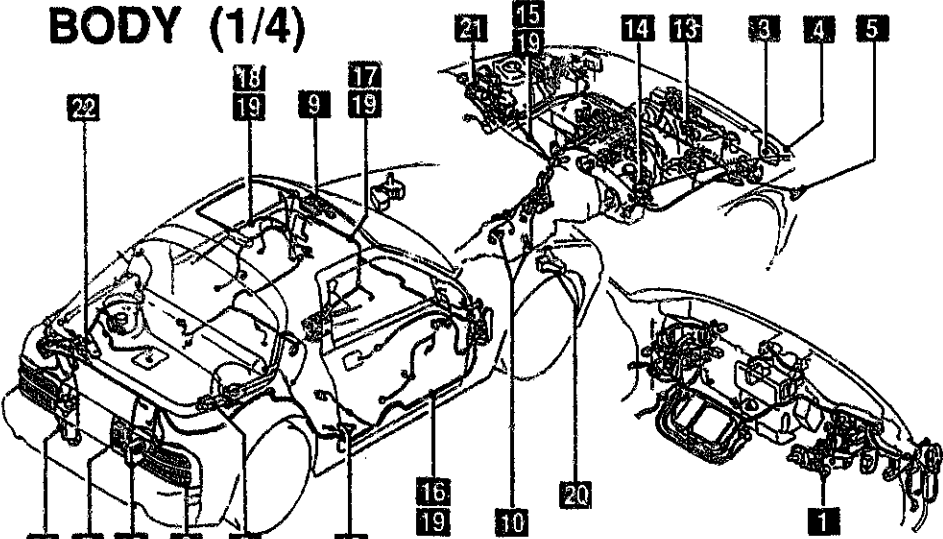
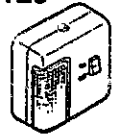



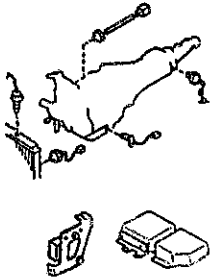


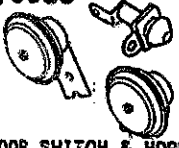

As this illustration is prepared to be applicable to all models, some parts are different in specifications from parts listed in this parts Catalog.

## PICTORIAL INDEX










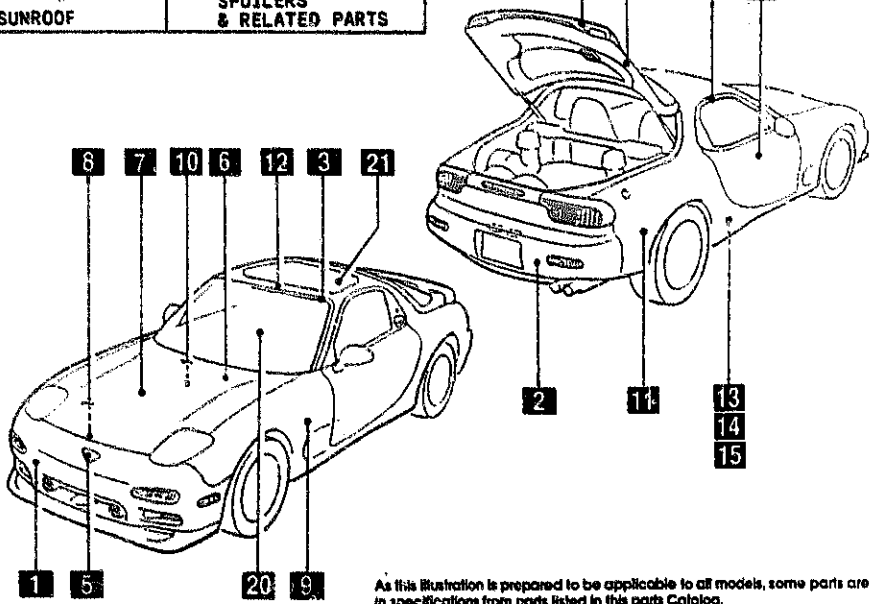


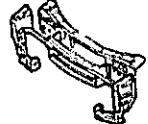
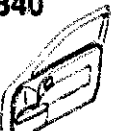
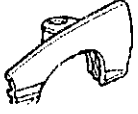
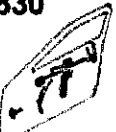






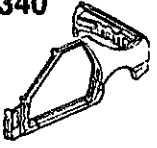
<b>1</b> 3700  TIRES & JACK	<b>2</b> 4140  CLUTCH RELEASE & MASTER CYLINDERS	<b>3</b> 4145  CLUTCH PIPINGS	<b>4</b> 4160  ACCELERATOR CONTROL SYSTEM	<b>5</b> 4200  FUEL TANK	<b>6</b> 4210  FUEL LID OPENER
<h3 style="margin: 0;">CHASSIS (2/2)</h3> 					
					<b>7</b> 4300  CLUTCH & BRAKE PEDALS
					<b>8</b> 4340  BRAKE MASTER CYLINDER & POWER BRAKE
					<b>9</b> 4360  BRAKE PIPINGS
					<b>10</b> 4370  ANTILOCK BRAKE SYSTEM
				<b>12</b> 4500  FUEL PIPINGS	<b>11</b> 4400  PARKING BRAKE SYSTEM

As this illustration is prepared to be applicable to all models, some parts are different in specifications from parts listed in this parts Catalog.


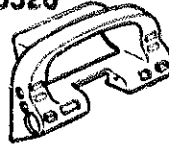
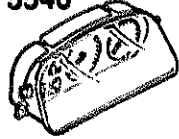
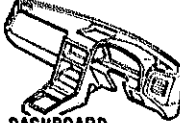
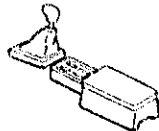




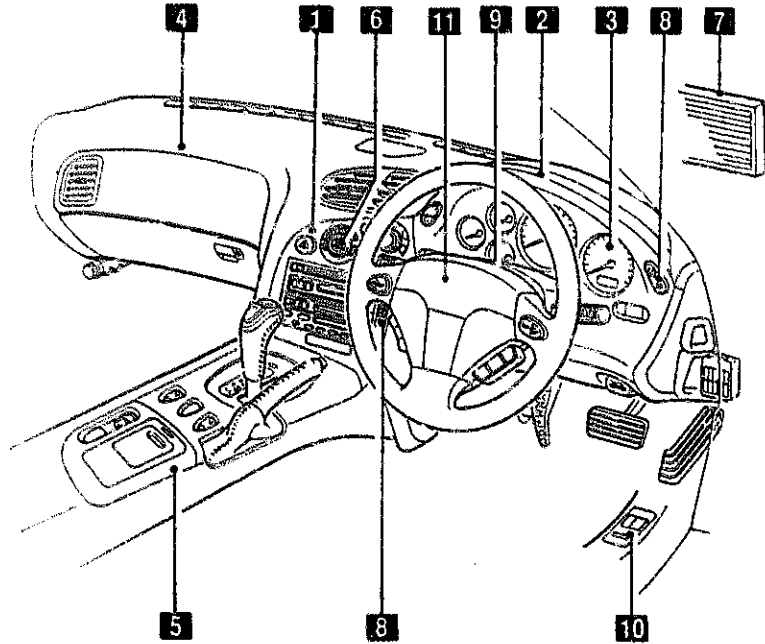
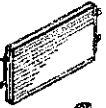
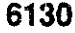





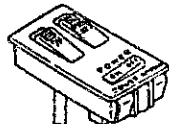
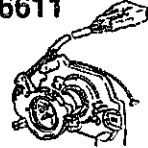
## PICTORIAL INDEX

<p><b>1 0900</b></p>  <p style="text-align: center;">KEY SETS</p>	<p><b>2</b></p>	<p><b>3 5100</b></p>  <p style="text-align: center;">HEAD LAMPS</p>	<p><b>4 5103</b></p>  <p style="text-align: center;">HEAD LAMP RETRACTORS</p>	<p><b>5 5105</b></p>  <p style="text-align: center;">FRONT COMBINATION LAMPS</p>	<p><b>6 5110</b></p>  <p style="text-align: center;">REAR COMBINATION LAMPS</p>
<p><b>19 6704</b></p>  <p style="text-align: center;">WIRING HARNESS CLAMPS</p>	<p><b>20 6720</b></p>  <p style="text-align: center;">WINDSHIELD WASHER</p>	<p><b>21 6730</b></p>  <p style="text-align: center;">WINDSHIELD WIPERS</p>	<p><b>22 6750</b></p>  <p style="text-align: center;">WINDOW WIPER &amp; WASHER (REAR)</p>		<p><b>7 5120</b></p>  <p style="text-align: center;">LICENSE LAMPS</p>
<p><b>18 6703</b></p>  <p style="text-align: center;">WIRING HARNESSES (DOOR, FLOOR/CEILING)</p>	<p><b>BODY (1/4)</b></p>  <p style="text-align: center; font-size: small;">As this illustration is prepared to be applicable to all models, some parts are different in specifications from parts listed in this parts Catalog.</p>				<p><b>8 5125</b></p>  <p style="text-align: center;">INTERIOR LAMPS</p>
<p><b>17 6702</b></p>  <p style="text-align: center;">WIRING HARNESSES (DASHBOARD)</p>					<p><b>9 5130</b></p>  <p style="text-align: center;">OVERHEAD CONSOLE</p>
<p><b>16 6700</b></p>  <p style="text-align: center;">WIRING HARNESSES (FRONT &amp; REAR)</p>					<p><b>10 6600</b></p>  <p style="text-align: center;">SWITCHES &amp; RELAYS (ENGINE)</p>
<p><b>15 6701</b></p>  <p style="text-align: center;">WIRING HARNESSES (ENGINE &amp; T/MISSION)</p>	<p><b>14 6640</b></p>  <p style="text-align: center;">AUTO CRUISE CONTROL SYSTEM</p>	<p><b>13 6635</b></p>  <p style="text-align: center;">DOOR SWITCH &amp; HORNS</p>	<p><b>12 6630</b></p>  <p style="text-align: center;">RELAYS &amp; UNIT (BODY)</p>	<p><b>11</b></p>	

## PICTORIAL INDEX

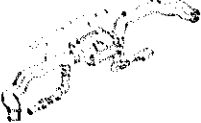



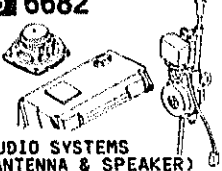
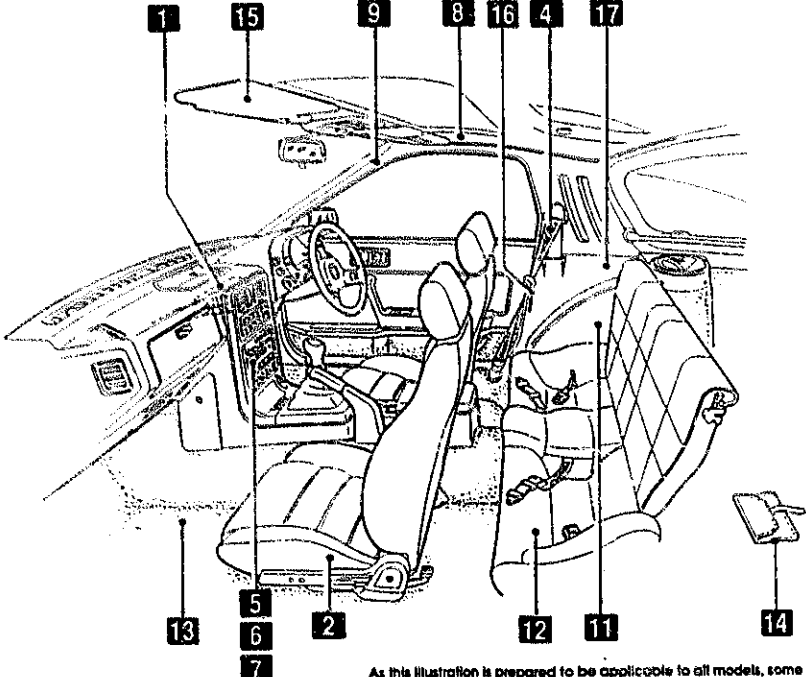
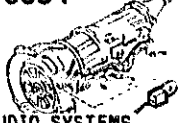


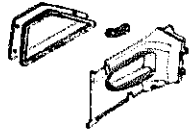
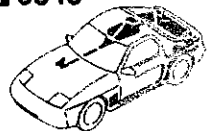


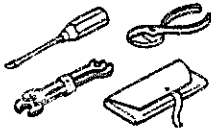
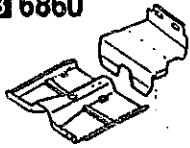
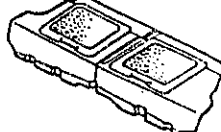
<p><b>1 5000</b></p>  <p style="text-align: center;">FRONT BUMPER</p>	<p><b>2 5010</b></p>  <p style="text-align: center;">REAR BUMPER</p>	<p><b>3 5030</b></p>  <p style="text-align: center;">WINDOW MOULDINGS</p>	<p><b>4 5040</b></p>  <p style="text-align: center;">BODY MOULDINGS</p>	<p><b>5 5170</b></p>  <p style="text-align: center;">ORNAMENTS</p>	<p><b>6 5180</b></p>  <p style="text-align: center;">COWL &amp; EXTRACTOR GRILLES</p>
<p><b>20 6300</b></p>  <p style="text-align: center;">WINDOW GLASSES</p>	<p><b>21 6330</b></p>  <p style="text-align: center;">SUNROOF</p>	<p><b>22 7800</b></p>  <p style="text-align: center;">SPOILERS &amp; RELATED PARTS</p>	<p><b>BODY (2/4)</b></p> 		<p><b>7 5230</b></p>  <p style="text-align: center;">BONNET</p>
<p><b>19 6230</b></p>  <p style="text-align: center;">LIFT GATE MECHANISMS</p>	<p><b>As this illustration is prepared to be applicable to all models, some parts are different in specifications from parts listed in this parts Catalog.</b></p>				<p><b>8 5310</b></p>  <p style="text-align: center;">FRONT PANELS</p>
<p><b>16 5840</b></p>  <p style="text-align: center;">FRONT DOOR TRIMS &amp; RELATED PARTS</p>					<p><b>9 5320</b></p>  <p style="text-align: center;">FENDER &amp; WHEEL APRON PANELS</p>
<p><b>17 5830</b></p>  <p style="text-align: center;">FRONT DOOR MECHANISMS</p>					<p><b>10 5330</b></p>  <p style="text-align: center;">DASH &amp; COWL PANELS</p>
<p><b>15 5800</b></p>  <p style="text-align: center;">FRONT DOORS</p>	<p><b>15 5390</b></p>  <p style="text-align: center;">FLOOR ATTACHMENTS</p>	<p><b>14 5380</b></p>  <p style="text-align: center;">FLOOR ATTACHMENTS (HOLE COVERS)</p>	<p><b>13 5370</b></p>  <p style="text-align: center;">FLOOR PANELS</p>	<p><b>12 5360</b></p>  <p style="text-align: center;">ROOF PANELS</p>	<p><b>11 5340</b></p>  <p style="text-align: center;">SIDE PANELS</p>

## PICTORIAL INDEX

<b>1 5500</b>  DASHBOARD EQUIPMENTS	<b>2 5520</b>  METER HOOD	<b>3 5540</b>  METER COMPONENTS	<b>4 5560</b>  DASHBOARD & RELATED PARTS	<b>5 5570</b>  CONSOLE	<b>6</b>  6120  6100  6110  6115 HEATER
<h3 style="margin: 0;">BODY (3/4)</h3> 					
<small>As this illustration is prepared to be applicable to all models, some parts are different in specifications from parts listed in the parts Catalog.</small>					
<b>7</b>  6130  6130  6140  6150  6135 AIR CONDITIONER					
<b>8 6610</b>  DASHBOARD SWITCHES					
<b>9 5795</b>  AIR BAG					
<b>10 6615</b>  POWER WINDOW SWITCHES					
<b>9 6611</b>  COMBINATION SWITCH					



## PICTORIAL INDEX

<p><b>1</b> 5580</p>  <p style="text-align: center;">VENTILATOR</p>	<p><b>2</b> 5700</p>  <p style="text-align: center;">FRONT SEATS</p>	<p><b>3</b></p>	<p><b>4</b> 5790</p>  <p style="text-align: center;">SEAT BELTS</p>	<p><b>5</b> 6680</p>  <p style="text-align: center;">AUDIO SYSTEMS (RADIO &amp; TAPE DECK)</p>	<p><b>6</b> 6682</p>  <p style="text-align: center;">AUDIO SYSTEMS (ANTENNA &amp; SPEAKER)</p>
<h3 style="margin: 0;">BODY (4/4)</h3>  <p style="text-align: center; font-size: small;">As this illustration is prepared to be applicable to all models, some parts are different in specifications from parts listed in this parts Catalog.</p>					
<p><b>7</b> 6684</p>  <p style="text-align: center;">AUDIO SYSTEMS (NOISE SUPPRESSOR &amp; EARTH CORD)</p>					
<p><b>8</b> 6800</p>  <p style="text-align: center;">CEILING TRIMS</p>					
<p><b>9</b> 6820</p>  <p style="text-align: center;">PILLAR TRIMS</p>					
<p><b>10</b></p>					
<p><b>17</b> 7250</p>  <p style="text-align: center;">QUARTER WINDOW &amp; TRIMS</p>					<p><b>11</b> 6840</p>  <p style="text-align: center;">TRIMS &amp; SCUFF PLATES</p>
<p><b>13</b> 6930</p>  <p style="text-align: center;">CAUTION PLATES &amp; LABELS</p>	<p><b>15</b> 6900</p>  <p style="text-align: center;">VISORS, ASSIST HANDLES &amp; MIRRORS</p>	<p><b>14</b> 6870</p>  <p style="text-align: center;">SERVICE TOOLS</p>	<p><b>16</b> 6860</p>  <p style="text-align: center;">FLOOR MATS &amp; PADS</p>	<p><b>12</b> 6845</p>  <p style="text-align: center;">STORAGE BOX</p>	

## SECTION NAME INDEX (ENGINE)

LO.NO	SEC.NO	SECTION NAME	LO.NO	SEC.NO	SECTION NAME	LO.NO	SEC.NO	SECTION NAME
1-C03	1000	ENGINE & GASKET SETS	1-L11	1960	GASKET & SEAL KIT (AUTOMATIC)			
1-D03	1030	ROTOR HOUSINGS						
1-G03	1040	OIL PAN,FRONT & REAR HOUSING						
1-J03	1100	ECCENTRIC SHAFT & FLYWHEEL						
1-L03	1110	ROTOR & RELATED PARTS						
1-N03	1300	INLET MANIFOLD						
1-C04	1310	EXHAUST MANIFOLD						
1-D04	1311	INTER COOLER						
1-E04	1312	TURBO CHARGER						
1-G04	1313	TWIN TURBO AIR INTAKE SYSTEM						
1-I04	1320	FUEL SYSTEM						
1-J04	1325	FUEL DISTRIBUTOR						
1-L04	1330	AIR CLEANER						
1-C05	1364	THROTTLE BODY						
1-E05	1371	AIR PUMP & AIR CONTROL VALVE						
1-G05	1380	EMISSION CONTROL SYSTEM						
1-C06	1400	OIL PUMP & FILTER						
1-F06	1500	COOLING SYSTEM						
1-M06	1580	BRACKET,PULLEY & BELT						
1-C07	1600	CLUTCH DISC & COVER (MANUAL)						
1-E07	1700	TRANSMISSION CASE (MANUAL)						
1-J07	1710	TRANSMISSION GEARS(MANUAL)						
1-D08	1720	CHANGE CONTROL SYSTEM (MANUAL)						
1-F08	1800	ENGINE ELECTRICAL SYSTEM						
1-I08	1830	ALTERNATOR						
1-K08	1840	STARTER						
1-C09	1850	BATTERY						
1-D09	1910	TORQUE CONVERTER,OIL PUMP & PI PINGS (AUTOMATIC)						
1-I09	1920	TRANSMISSION CASE & MAIN CONTR OL SYSTEM (AUTOMATIC)						
1-C10	1925	CONTROL VALVE (AUTOMATIC)						
1-K10	1930	CLUTCHES & PLANETARY GEARS (AU TOMATIC)						
1-G11	1940	GOVERNOR, LOW & REVERSE PISTON (AUTOMATIC)						
1-J11	1950	MANUAL LINKAGE SYSTEM (AUTOMAT IC)						

## SECTION NAME INDEX (CHASSIS)

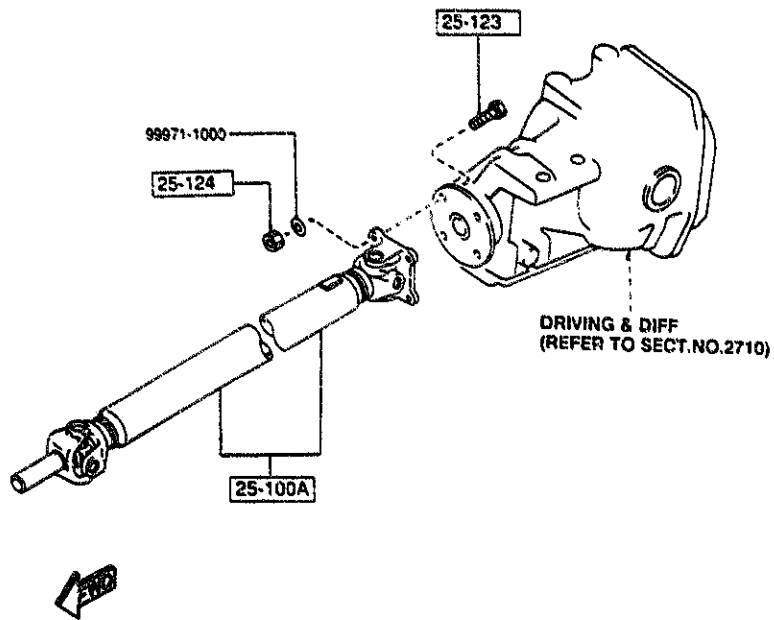
LD.NO	SEC.NO	SECTION NAME	LD.NO	SEC.NO	SECTION NAME	LD.NO	SEC.NO	SECTION NAME
2-C03	2505	REAR PROPELLER SHAFT	2-I08	4600	CHANGE CONTROL SYSTEM (AT)			
2-D03	2550	REAR DRIVE SHAFT						
2-E03	2600	REAR AXLE						
2-G03	2610	REAR BRAKE MECHANISMS						
2-J03	2710	REAR DIFFERENTIALS						
2-N03	2800	REAR SUSPENSION MECHANISMS						
2-C04	2801	REAR SPRING & DAMPER						
2-D04	2810	REAR STABILIZER						
2-E04	2830	REAR LOWER ARMS & SUB FRAME						
2-G04	3200	STEERING WHEEL						
2-H04	3210	STEERING COLUMN & SHAFTS						
2-I04	3220	STEERING GEAR						
2-K04	3240	POWER STEERING SYSTEM						
2-L04	3300	FRONT AXLE						
2-M04	3310	FRONT BRAKE MECHANISMS						
2-C05	3400	FRONT SUSPENSION MECHANISMS						
2-F05	3401	FRONT SPRING & DAMPER						
2-G05	3410	CROSSMEMBER & STABILIZER						
2-H05	3700	TIRES & JACK						
2-C06	3900	ENGINE & T/MISSION MOUNTINGS						
2-D06	4000	EXHAUST SYSTEM						
2-H06	4140	CLUTCH RELEASE & MASTER CYLINDERS (MANUAL TRANSMISSION)						
2-J06	4145	CLUTCH PIPINGS (MANUAL TRANSMISSION)						
2-K06	4160	ACCELERATOR CONTROL SYSTEM						
2-L06	4200	FUEL TANK						
2-D07	4210	FUEL LID OPENER						
2-E07	4300	CLUTCH & BRAKE PEDALS (MANUAL TRANSMISSION)						
2-G07	4300A	BRAKE PEDALS (AUTOMATIC TRANSMISSION)						
2-H07	4340	BRAKE MASTER CYLINDER & POWER BRAKE						
2-J07	4360	BRAKE PIPINGS						
2-N07	4370	ANTILOCK BRAKE SYSTEM						
2-E08	4400	PARKING BRAKE SYSTEM						
2-F08	4500	FUEL PIPINGS						

## SECTION NAME INDEX (BODY)

LO.NO	SEC.NO	SECTION NAME	LO.NO	SEC.NO	SECTION NAME	LO.NO	SEC.NO	SECTION NAME
2-C10	0900	KEY SETS	3-H03	5830	FRONT DOOR MECHANISMS	3-H08	6707	WIRING HARNESSSES(DASHBOARD)
2-E10	5000	FRONT BUMPER	3-K03	5840	FRONT DOOR TRIMS & RELATED PARTS	3-J08	6703	WIRING HARNESSSES(DOOR,FLOOR/CHEELING)
2-M10	5010	REAR BUMPER	3-C04	6100	HEATER	3-K08	6704	WIRING HARNESS CLAMPS
2-J10	5030	WINDOW MOULDINGS	3-E04	6110	HEATER UNIT COMPONENTS	3-L08	6720	WINDSHIELD WASHER
2-K10	5040	BODY MOULDINGS	3-G04	6115	HEATER CONTROLS COMPONENTS	3-N08	6730	WINDSHIELD WIPERS
2-M10	5100	HEAD LAMPS	3-H04	6120	HEATER BLOWER COMPONENTS	3-D09	6740	WIPER MOTOR COMPONENTS(FRONT)
2-C11	5103	HEAD LAMP RETRACTORS	3-I04	6130	AIR CONDITIONER (JAPAN MAKE)	3-E09	6750	WINDOW WIPER & WASHER (REAR)
2-E11	5105	FRONT COMBINATION LAMPS	3-L04	6130A	AIR CONDITIONER (OPTIONAL PARTS)	3-G09	6760	WINDOW WIPER MOTOR COMPONENTS (REAR)
2-M11	5110	REAR COMBINATION LAMPS	3-C05	6135	O RING SET,PIPING	3-H09	6800	CEILING TRIMS
2-N11	5120	LICENSE LAMPS	3-D05	6140	COMPRESSOR COMPONENTS (AIR CONDITIONER) (JAPAN MAKE)	3-J09	6820	PILLAR TRIMS
2-C12	5125	INTERIOR LAMPS	3-F05	6140A	COMPRESSOR COMPONENTS (AIR CONDITIONER) (OPTIONAL PARTS)	3-K09	6840	TRIMS & SCUFF PLATES
2-D12	5130	OVERHEAD CONSOLE	3-H05	6150	COOLING UNIT (AIR CONDITIONER) (JAPAN MAKE)	3-C10	6845	STRAGE BOX
2-E12	5170	ORNAMENTS	3-I05	6150A	COOLING UNIT (AIR CONDITIONER) (OPTIONAL PARTS)	3-D10	6860	FLOOR MATS & PADS
2-F12	5180	COWL & EXTRACTOR GRILLES	3-K05	6230	LIFT GATE MECHANISMS	3-G10	6870	SERVICE TOOLS
2-M12	5230	BONNET	3-N05	6300	WINDOW GLASSES	3-H10	6900	VISORS,ASSIST HANDLES & MIRRORS
2-J12	5310	FRONT PANELS	3-C06	6330	SUNROOF	3-K10	6930	CAUTION PLATES & LABELS
2-K12	5320	FENDER & WHEEL APRON PANELS	3-G06	6600	SWITCHES & RELAYS (ENGINE)	3-M10	7250	QUARTER WINDOW & TRIMS
2-C13	5330	DASH & COWL PANELS	3-L06	6610	DASHBOARD SWITCHES	3-D11	7800	SPOILERS & RELATED PARTS
2-D13	5340	SIDE PANELS	3-M06	6611	COMBINATION SWITCH			
2-I13	5360	ROOF PANELS (W/O SUN ROOF)	3-N06	6615	POWER WINDOW SWITCHES			
2-J13	5360 A	ROOF PANELS (SUN ROOF)	3-C07	6630	RELAYS & UNIT (BODY)			
2-K13	5370	FLOOR PANELS	3-E07	6635	DOOR SWITCH & HORNS			
2-M13	5380	FLOOR ATTACHMENTS (HOLE COVERS)	3-F07	6640	AUTO CRUISE CONTROL SYSTEM			
2-C14	5390	FLOOR ATTACHMENTS	3-G07	6680	AUDIO SYSTEMS (RADIO & TAPE DECK)			
2-C15	5500	DASHBOARD EQUIPMENTS	3-I07	6682	AUDIO SYSTEMS (ANTENNA & SPEAKER)			
2-D15	5520	METER HOOD	3-M07	6684	AUDIO SYSTEMS(NOISE SUPPRESSOR & EARTH CORD)			
2-E15	5540	METER COMPONENTS	3-N07	6700	WIRING HARNESSSES(FRONT & REAR)			
2-G15	5560	DASHBOARD & RELATED PARTS	3-F08	6701	WIRING HARNESSSES(ENGINE & TRANSMISSION)			
2-K15	5570	CONSOLE						
2-C16	5580	VENTILATOR						
2-D16	5700	FRONT SEATS						
2-M16	5790	SEAT BELTS						
3-C03	5795	AIR BAG						
3-D03	5800	FRONT DOORS						

2505 -1 N REAR PROPELLER SHAFT

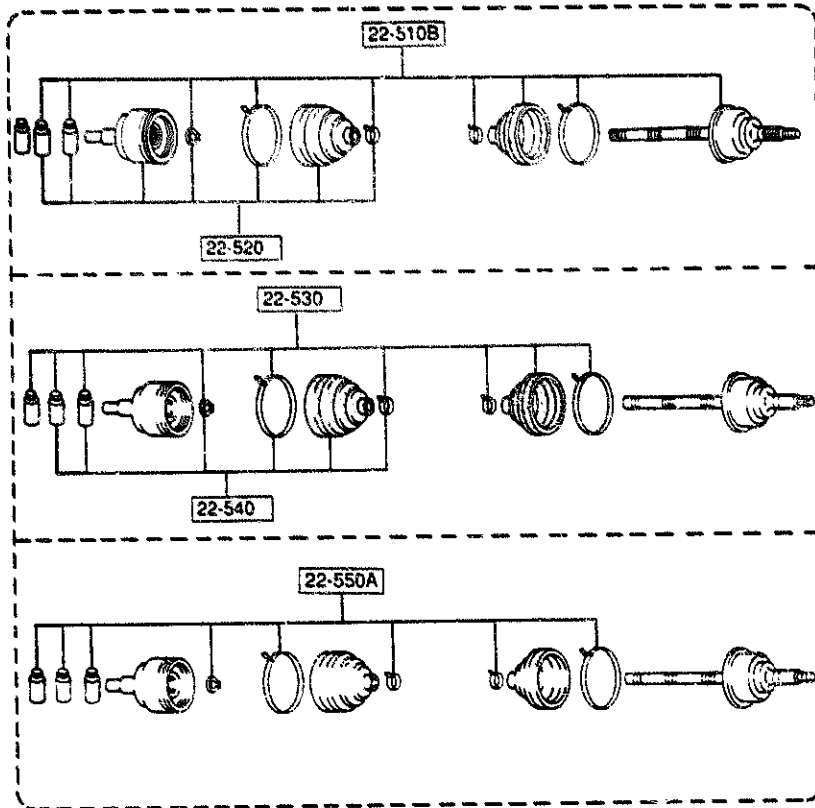
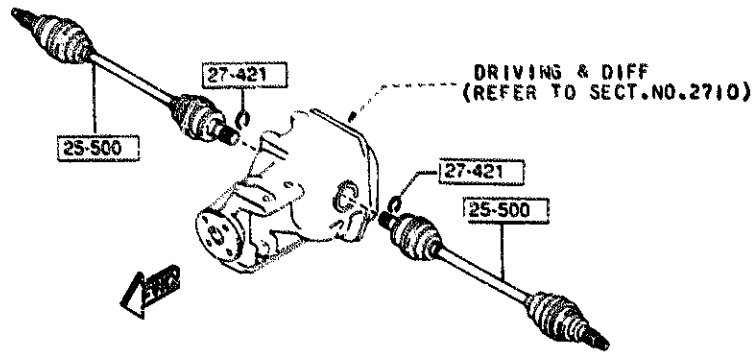
2505 REAR PROPELLER SHAFT



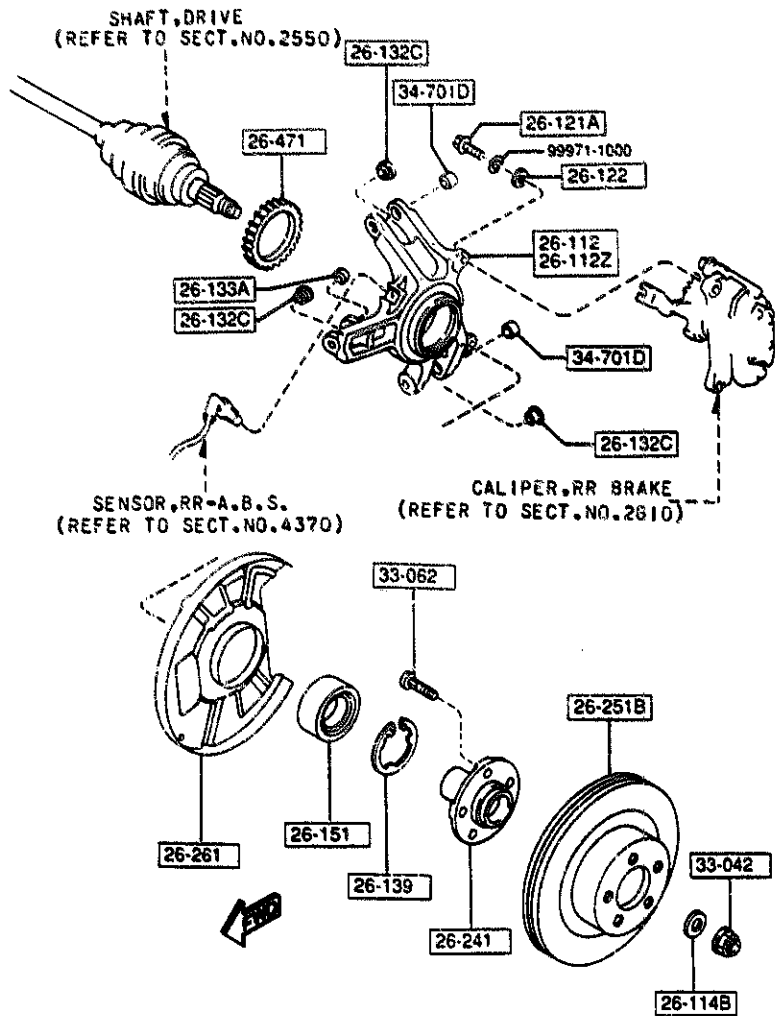
PART NO.	QTY	MODEL/RESTRICTION	MODEL/RESTRICTION	MODEL/RESTRICTION	FROM 10
25-100A		SHAFT, PROPELLER			
PF03-25-100	1	(MT)			
PF04-25-100	1	(AT)			
25-123		BOLT			
P011-25-123	4				
25-124		NUT			
1368-25-124	4				

2550 REAR DRIVE SHAFT

2550 REAR DRIVE SHAFT

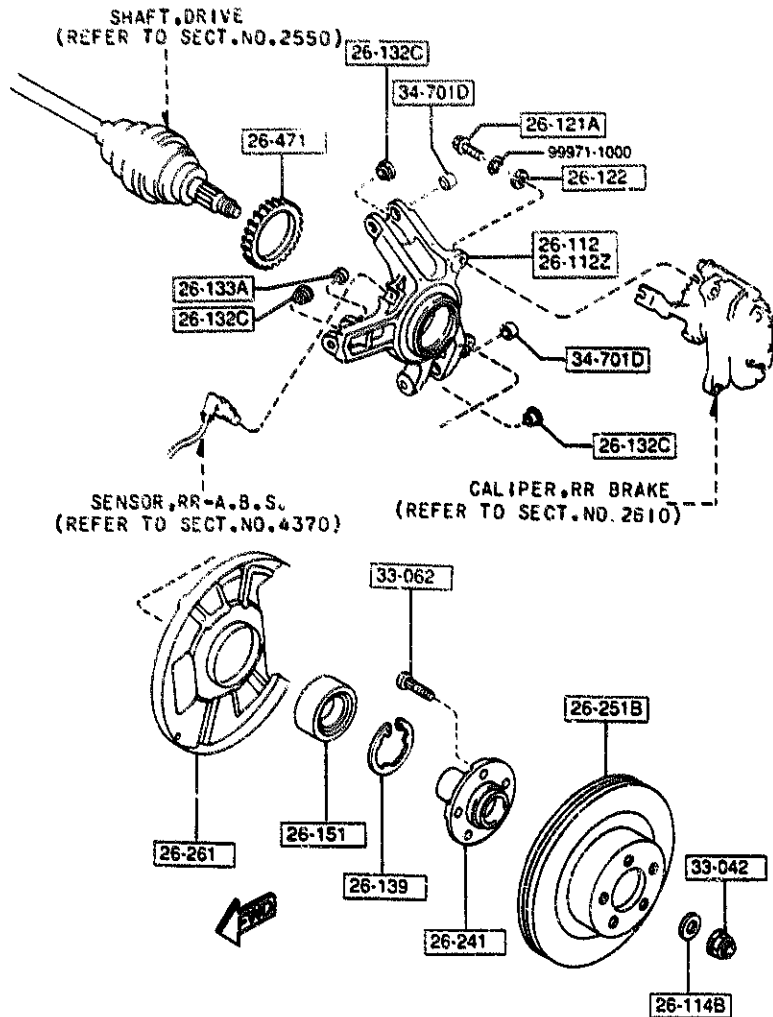


PART NO.	QTY	MODEL/RESTRICTION	MODEL/RESTRICTION	MODEL/RESTRICTION	FROM-TO
22-510B MA10-22-510	2	JOINT SET, OUTER			
22-520 MA10-22-520	2	JOINT SET, INNER			
22-530 MA10-22-530	2	BOOT SET, OUTER JOINT			
22-540 MA10-22-540	2	BOOT SET, INNER JOINT			
22-550A MA10-22-550	2	CLIP SET, DRIVE SHAFT			
25-500 MA10-25-500	2	SHAFT, DRIVE			
27-421 P017-27-421A	2	CLIP			



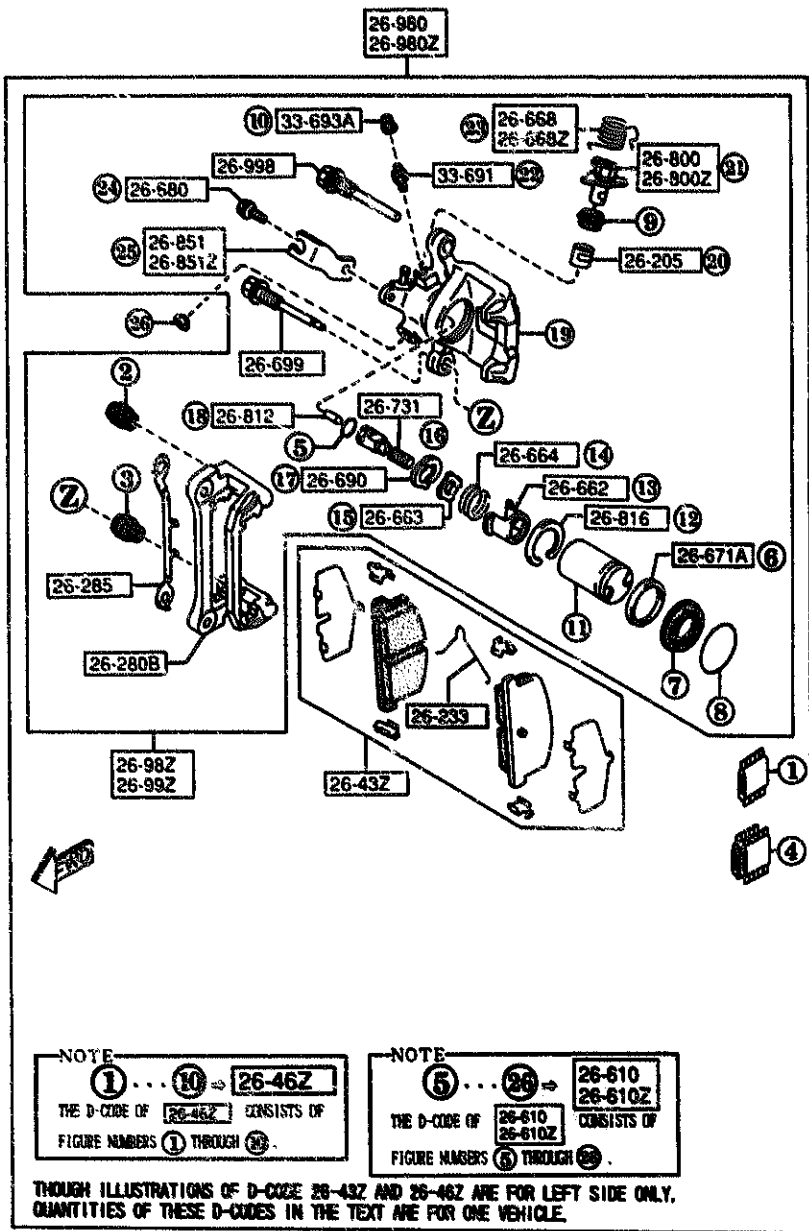
PART NO.	QTY	MODEL/RESTRICTION	MODEL/RESTRICTION	MODEL/RESTRICTION	FROM-TO
26-112		HUB(R), SUPPORT			
FD01-26-112	1				
26-112Z		HUB(L), SUPPORT			
FD01-26-122	1				
26-114B		WASHER, PLAIN			
J001-26-114	2				
26-121A		BOLT, REAR BRAKE			
FB01-26-121A	4				
26-122		WASHER, PLAIN-REAR BRAKE			
FB01-26-122	4				
26-132C		WASHER, SLEEVE-REAR BRAKE			
FD01-26-132A	6				
26-133A		SLEEVE			
FD01-26-133A A (FD01-26-133B)	2				-2101
FD01-26-133B	2				2101-
26-139		RING, RETAINING			
J001-26-139A	2				
26-151		BEARING, WHEEL			
J001-26-151	2				
26-241		FLANGE, REAR AXLE			
J001-26-241B	2				-2901
FD04-26-241	2				2901-
26-251B		PLATE, DISC			
FD01-26-251 AN(FD01-26-25X)	2				-2303
FD01-26-25X	2				2303-
26-261		COVER, DUST			
FD01-26-261	2				
2101 FD3MM-200251 2303 FD3MM-202943 2901 FD3MM-210499					

2600 REAR AXLE

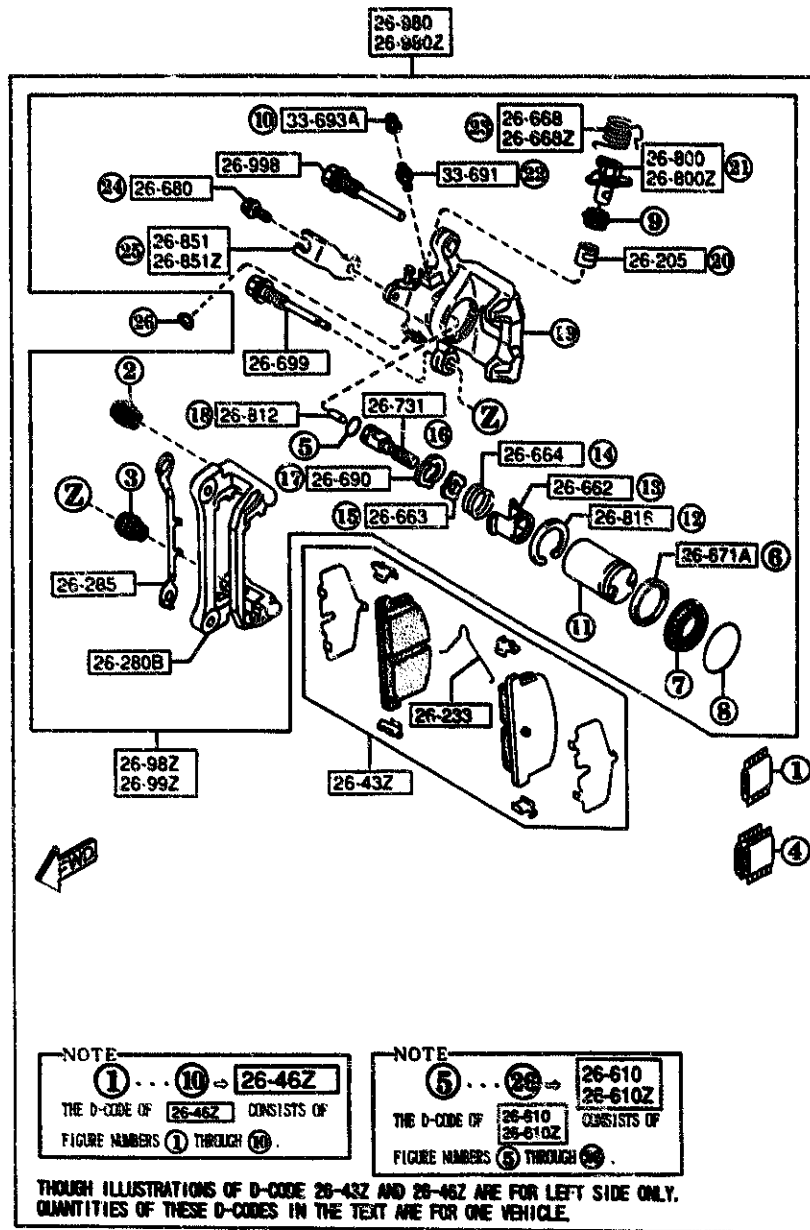


PART NO.	QTY	MODEL/RESTRICTION	MODEL/RESTRICTION	MODEL/RESTRICTION	FROM-TO
26-471		ROTOR, SENSOR-RR A.B.S.			
FD04-26-471	2				
33-042		NUY			
LA01-33-042B	2				
33-062		BOLT, HUB			
B455-33-062	10				
34-701D		SLEEVE			
FD01-34-701A A (FD01-34-701B)	4				-2101
FD01-34-701B	4				2101-
2101 FD3MM-200251					





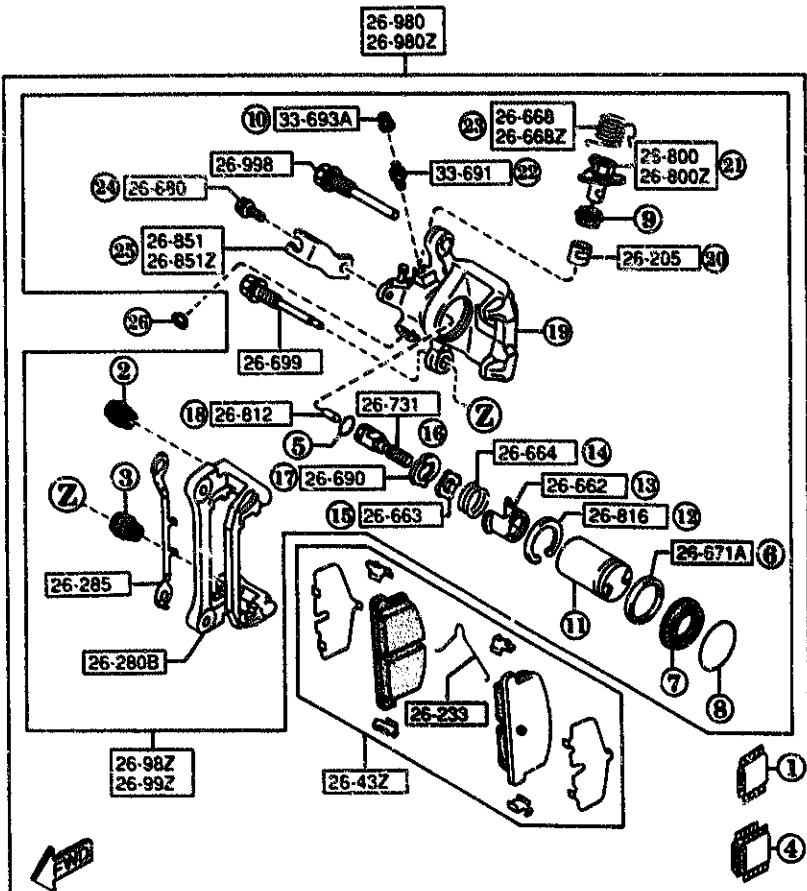
PART NO.	QTY	MODEL/RESTRICTION	MODEL/RESTRICTION	MODEL/RESTRICTION	FROM-TO
26-205		BEARING			
H001-26-205	2				
26-233		SPRING 'V', REAR BRAKE			
FD01-26-233	2				
26-280B		SUPPORT, MOUNTING			
FD01-26-281	2				
26-285		PLATE, GUARD-CALIPER BRAKE			
FD01-26-285A	2				
26-43Z		PAD SET, RR CALIPER NON ASBESTOS			
FDY1-26-43Z	1				
26-46Z		SEAL & BOOT SET, CAL. -RR			
FDY1-26-46Z	1				
26-610		BODY & PISTON(R), CAL IPER			
FD01-26-61X	1				
26-610Z		BODY & PISTON(L), CAL IPER			
FD01-26-71X	1				
26-662		COVER, CASE			
B462-26-662	2				
26-663		WASHER, SPRING			
B462-26-663	2				
26-664		SPRING			
B462-26-664	2				
26-668		SPRING(R), LEVER			
FD01-26-668	1				
26-668Z		SPRING(L), LEVER			
FD01-26-669	1				
26-671A		SEAL, PISTON			



PART NO.	QTY	MODEL/RESTRICTION	MODEL/RESTRICTION	MODEL/RESTRICTION	FROM-10
CONT'D					
1243-26-671	2				
26-680		BOLT			
FA18-26-680	2				
26-690		STOPPER,CALIPER-RR			
B462-26-694	2				
26-699		PIN, LOCK			
FD01-26-699	2				
26-731		SPINDLE, ADJUSTER			
FD01-26-731	2				
26-800		LEVER(R), OPERATING			
FD01-26-800	1				
26-800Z		LEVER(L), OPERATING			
FD01-26-810	1				
26-812		LINK, CONNECTING			
H001-26-812	2				
26-816		RING, SNAP-RR CALIPER			
GJ25-26-816	2				
26-851		BRACKET(R), CABLE			
FD01-26-851	1				
26-851Z		BRACKET(L), CABLE			
FD01-26-861	1				
26-98Z		CALIPER(R), PADLESS-R			
FD01-26-98Z	1				
26-980		CALIPER(R), RR BRAKE			
FD01-26-980A	1				
26-980Z		CALIPER(L), RR BRAKE			
FD01-26-990A	1				

2610 REAR BRAKE MECHANISMS

2610 -3 \* REAR BRAKE MECHANISMS



NOTE  
 ① ... ⑩ → 26-46Z  
 THE D-CODE OF 26-46Z CONSISTS OF  
 FIGURE NUMBERS ① THROUGH ⑩.

NOTE  
 ⑤ ... ⑳ → 26-610  
 26-610Z  
 THE D-CODE OF 26-610  
 26-610Z CONSISTS OF  
 FIGURE NUMBERS ⑤ THROUGH ⑳.

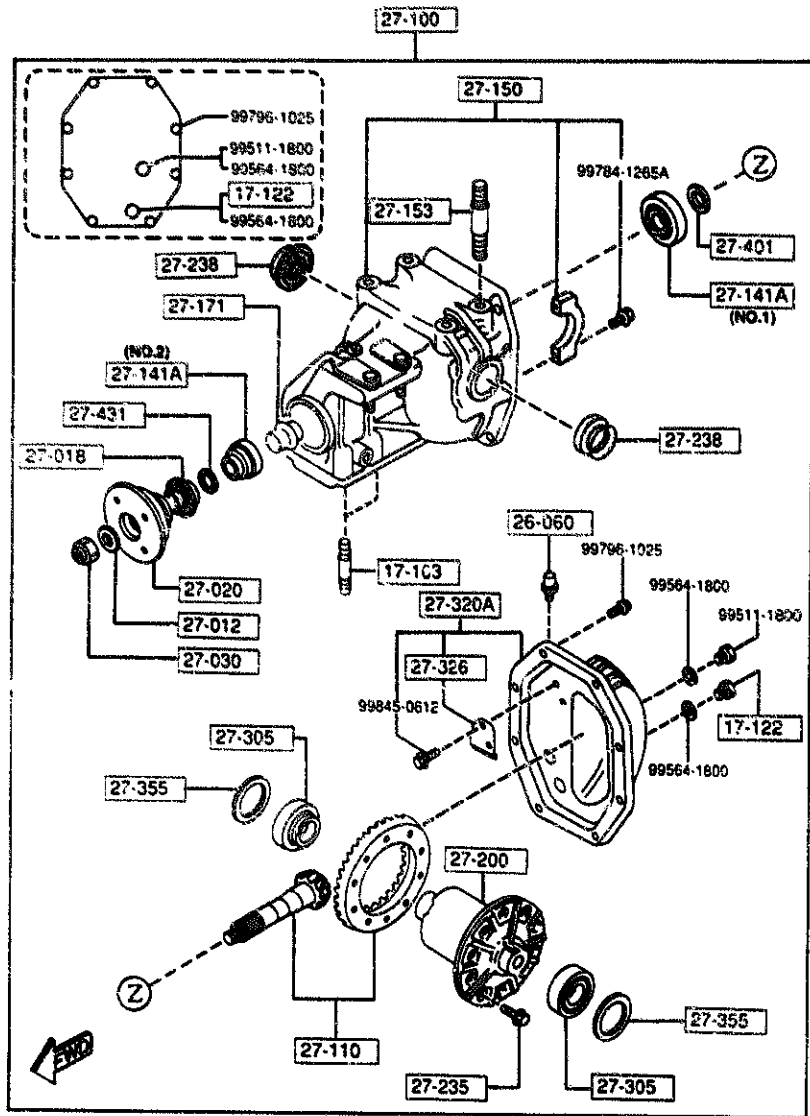
THOUGH ILLUSTRATIONS OF D-CODE 26-43Z AND 26-46Z ARE FOR LEFT SIDE ONLY.  
 QUANTITIES OF THESE D-CODES IN THE TEXT ARE FOR ONE VEHICLE.

PART NO.	QTY	MODEL/RESTRICTION	MODEL/RESTRICTION	MODEL/RESTRICTION	FROM-TO
26-992		CALIPER(L),PADLESS-R			
FD01-26-992	1				
26-998		PIN,GUIDE			
FD01-26-998	2				
33-691		SCREW,BLEEDER			
0233-33-691	2				
33-693A		CAP,BLEEDER SCREW			
1316-33-693	2				









PART NO.	QTY	MODEL/RESTRICTION	MODEL/RESTRICTION	MODEL/RESTRICTION	FROM TO
CONT'D					
R001-27-408	1	T=3.26MM			
R001-27-409	1	T=3.29MM			
R001-27-411	1	T=3.32MM			
R001-27-412	1	T=3.35MM			
R001-27-413	1	T=3.38MM			
R001-27-414	1	T=3.41MM			
R001-27-415	1	T=3.44MM			
27-431		SPACER			
P044-27-431A AN(PA01-27-431 )	1				-2306
P044-27-431A AN(PA01-27-431 )	1				-2401
PA01-27-431	1	(MT)			2306-
PA01-27-431	1	(AT)			2401-
2306 FDSMM-203125 2401 FDSMM-204313					

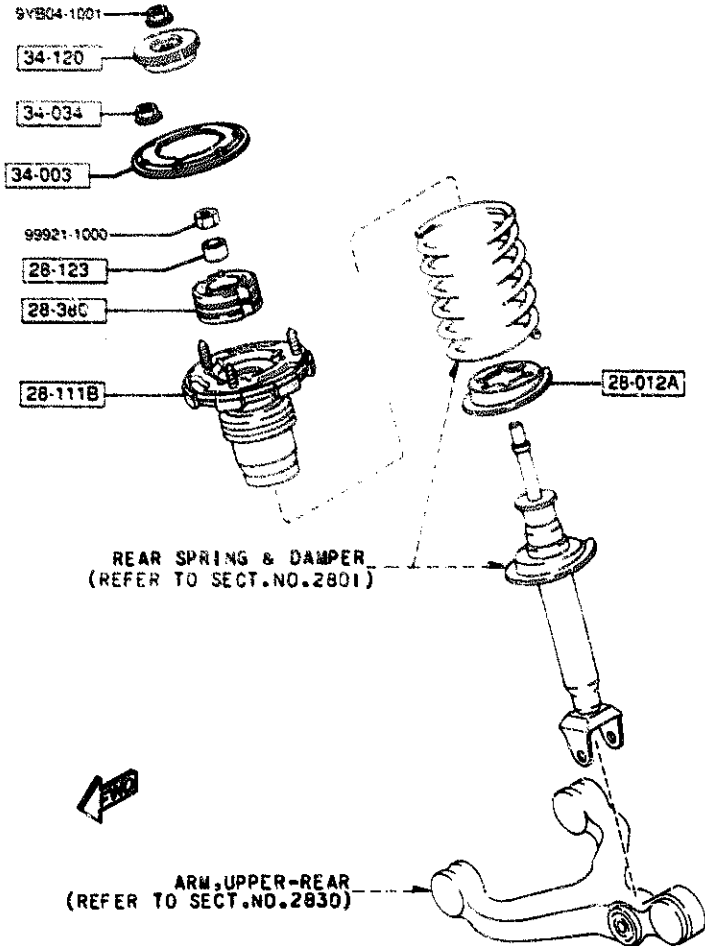
AUFA04

CAT. AUFA04-66

1994-09

2800 REAR SUSPENSION MECHANISMS

7800 -1 M REAR SUSPENSION MECHANISMS

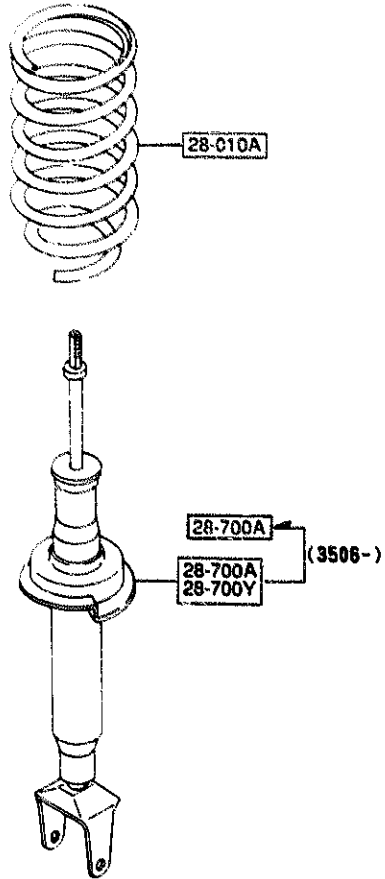


PART NO.	QTY	MODEL/RESTRICTION	MODEL/RESTRICTION	MODEL/RESTRICTION	FROM TO
28-012A		SHEET, RUBBER			
FD01-28-012	2				
28-111B		STOPPER, BUMP			
FD01-28-110A	2				
28-123		SPACER			
FD01-28-123A	2				
28-380		RUBBER, MOUNTING			
FD01-28-380	2				
34-003		SHEET, FRT DAMPER			
FD01-34-003	2				
34-034		NUT, FLANGE			
HS80-34-034	6				
34-120		STOPPER			
FD01-34-120	2				



2801 REAR SPRING & DAMPER

2801 -1 \* REAR SPRING & DAMPER



PART NO.	QTY	MODEL/RESTRICTION	MODEL/RESTRICTION	MODEL/RESTRICTION	FROM TO
28-010A		SPRING, COIL-REAR			
FD03-28-011	2				
28-700A		DAMPER(R), REAR			
FD01-28-700D A (FD01-28-700E)	1				-1C18
FD03-28-700D A (FD03-28-700E)	1				-1C18
FD01-28-700E	1 (NOR. SUSP)				1C18-3506
FD03-28-700E	1 (HARD SUSP)				1C18-3506
FD01-28-700E	2 (NOR. SUSP)				3506-
FD03-28-700E	2 (HARD SUSP)				3506-
28-700Y		DAMPER(L), REAR			
FD01-28-900D A (FD01-28-900E)	1				-1C18
FD03-28-900D A (FD03-28-900E)	1				-1C18
FD01-28-900E AN(FD01-28-700E)	1 (NOR. SUSP)				1C18-3506
FD03-28-900E AN(FD03-28-700E)	1 (HARD SUSP)				1C18-3506
1C18 F03MM-200100 3506 F03MM-310662					

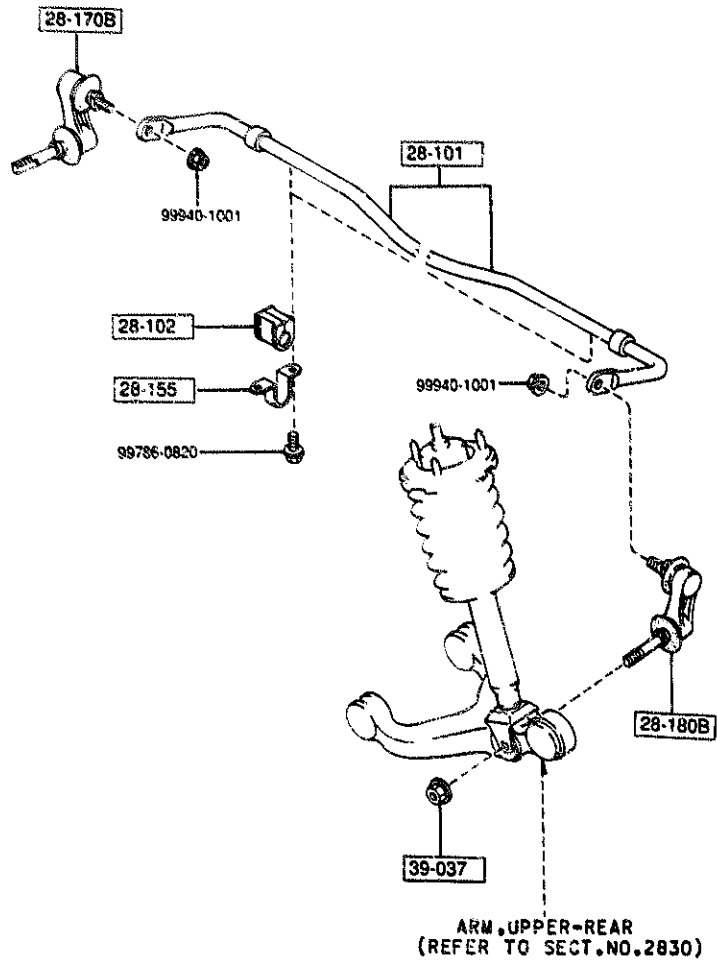
AUFA04

CAT. AUFA04-06

1994-09

2810 REAR STABILIZER

2810 -1 \* REAR STABILIZER



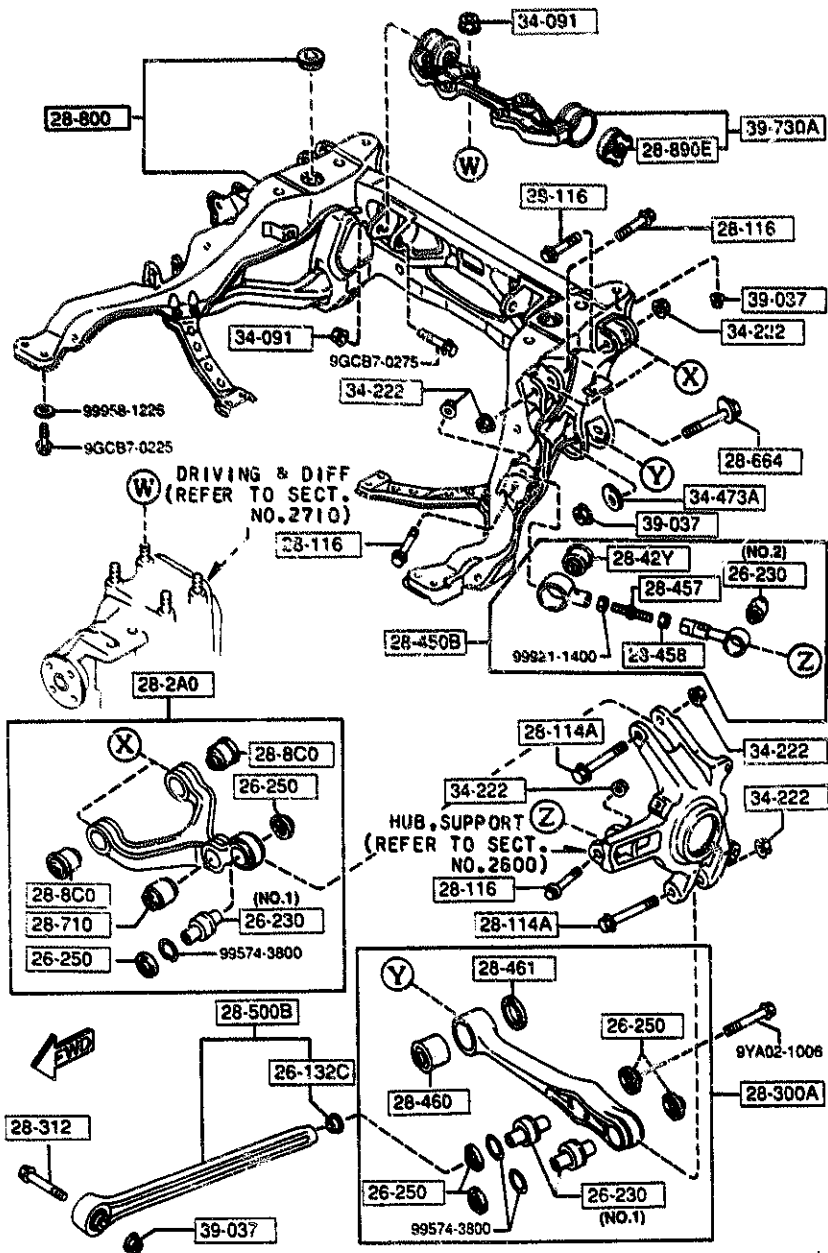
PART NO.	QTY	MODEL/RESTRICTION	MODEL/RESTRICTION	MODEL/RESTRICTION	FROM TO
28-101 FD01-28-191A	1	STABILIZER, RR			
28-102 FD01-28-156B	2	BUSH, STABILIZER-RR			
28-155 FD01-28-155A	2	PLATE, STABILIZER-RR			
28-170B FD01-28-170B	1	LINK, CONTROL-STAB			
28-180B FD01-28-180B	1	LINK, CONTROL			
39-037 B001-39-037B	2	NUT			

AUFA04

CAT. AUFA04-06

1994-09

2830 REAR LOWER ARMS & SUB FRAME



PART NO.	QTY	MODEL/RESTRICTION	MODEL/RESTRICTION	MODEL/RESTRICTION	FROM-TO
26-132C		WASHER, SLEEVE-REAR B			
FD01-26-132A	2	RAKE			
26-230		BALL, PILLOW-RR LOWER			
FD01-26-220	6	ARM (ILLUST. NO.1)			
FD01-26-230	2	(ILLUST. NO.2)			
26-250		RUBBER, SEAL-RR LOWER			
FD01-26-250	12	ARM			
28-114A		BOLT			
FD01-28-114	4				
28-116		BOLT			
FD01-28-116	8				
28-2A0		ARM, UPPER-REAR			
FD01-28-2A0B	2				
28-300A		ARM, LOWER-REAR			
FD01-28-300B	2				
28-312		BOLT 'A', LINK			
H266-28-312	2				
28-42Y		BUSH, PILLOW BALL			
FD01-28-42Y	2				
28-450B		LINK, TOE CONTROL			
FD01-28-450B	2				
28-457		BOLT			
FD01-28-457	2				
28-458		NUT			
FD01-28-458	2				
28-460		BUSHING, LOWER ARM			
FD01-28-460	2				

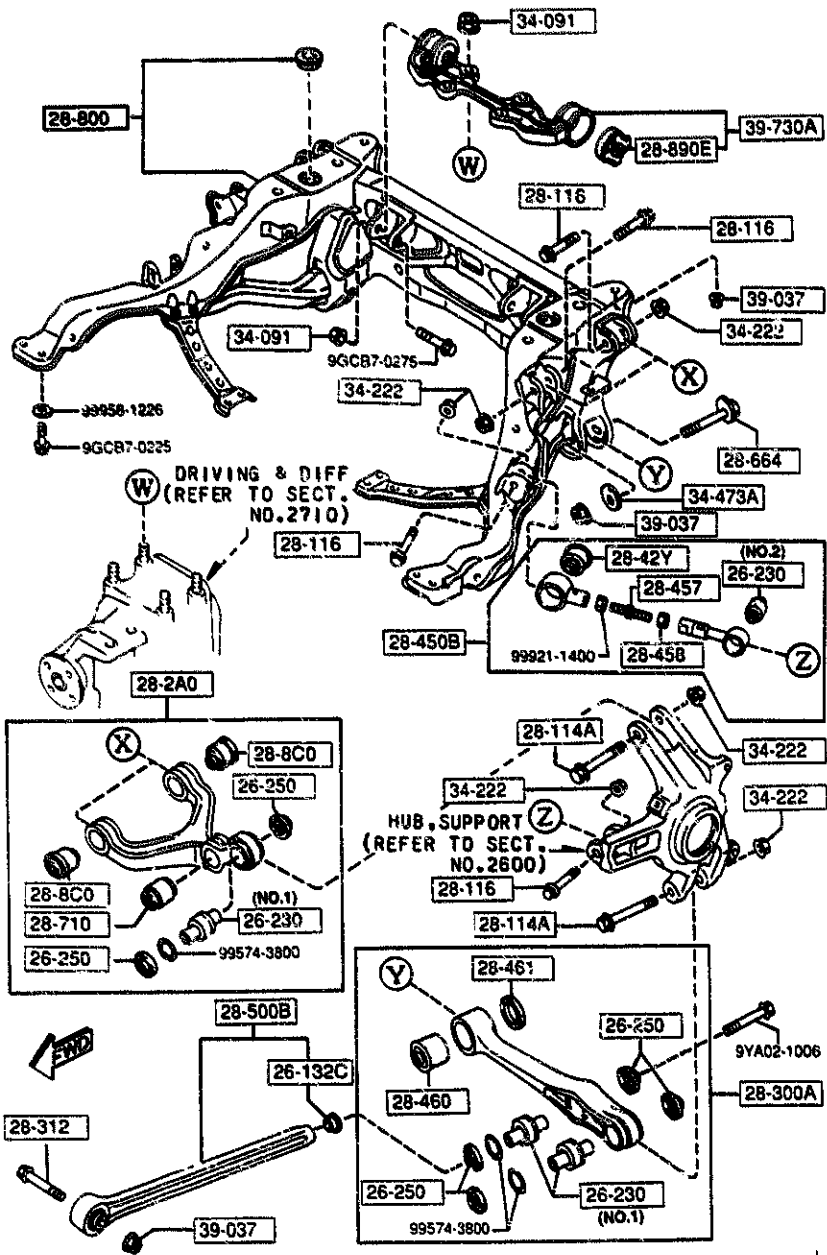
AUFA04

CAT. AUFA04-06

1994-09

2830 -2 W REAR LOWER ARMS & SUB FRAME

2830 REAR LOWER ARMS & SUB FRAME



PART NO.	QTY	MODEL/RESTRICTION	MODEL/RESTRICTION	MODEL/RESTRICTION	FROM TO
28-461		STOPPER, LOWER ARM			
FD01-28-461	2				
28-900B		LINK, LOWER-FRONT			
FD01-28-50X	2 (NOR. SUSP)				
FD03-28-50X	2 (HARD SUSP)				
28-664		BOLT, ADJUST			
FD01-28-664	2				
28-710		BUSH, DAMPER			
FD01-28-710A	2				
28-8C0		BUSHING, RUBBER			
FD01-28-8C0A	4				
28-800		FRAME, SUB			
FD01-28-80XF A (FD01-28-80XH)	1				-1C25
FD01-28-80XH	1				1C25-
28-890E		RUBBER, MOUNT. -DIFF. C ASING			
FD01-28-890A	2				
34-091		NUT			
B455-34-091	6				
34-222		NUT			
8871-34-222	12				
34-473A		PLATE, CAM			
FD01-34-473	2				
39-037		NUT			
8001-39-037B	8				
39-730A		BRACKET, DIFF. MOUNTIN G			
FD01-39-730A	1				
1C25 FD3HW-200147					

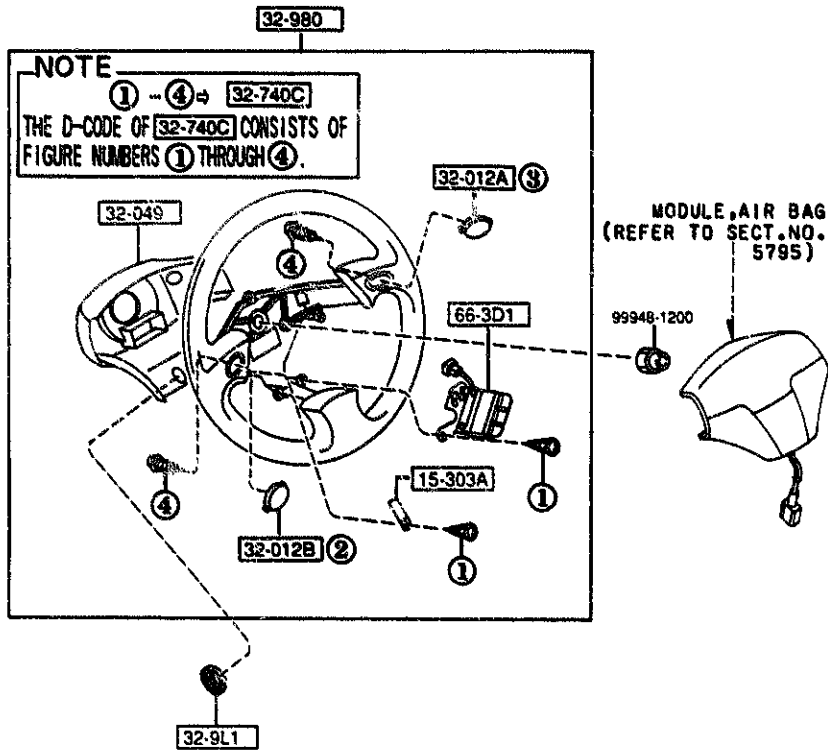
AUFA04

CAT. AUFA04-06

1994-09

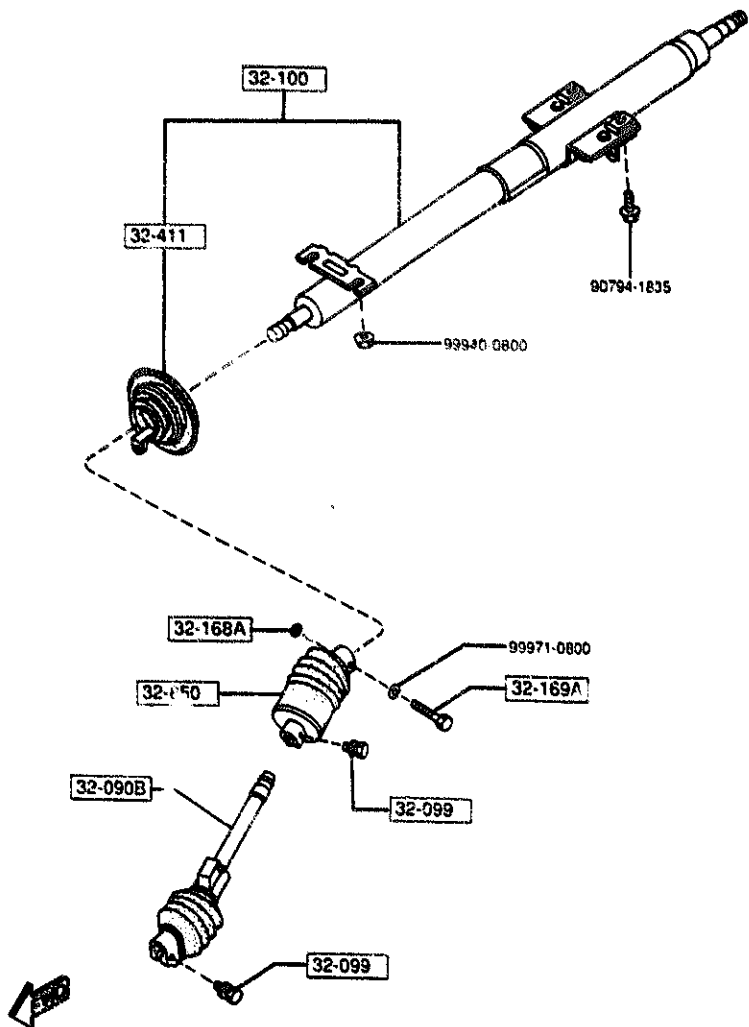
3200 STEERING WHEEL

3200 -1 \* STEERING WHEEL



PART NO.	QTY	MODEL/RESTRICTION	MODEL/RESTRICTION	MODEL/RESTRICTION	FROM-TO
15-303A		CLIP			
2667-15-303A	1				-2301
2667-15-303A	2				2301-
32-012A		BUTTON(R), HORN			
FD01-32-81X	1				
32-012B		BUTTON(L), HORN			
FD01-32-810	1				
32-049		COVER, WHEEL CORE			
FD01-32-049	1	(NOR. SUSP)			
FD03-32-049	1	(HARD SUSP)			
32-740C		PARTS SET, ST. WHEEL			
FD01-32-750	1				
32-9L1		CAP			
GA2B-32-9L1	3				-3403
32-980		BOSS, STEERING WHEEL			
FD01-32-980D	1	(NOR. SUSP)			
FD03-32-980D	1	(HARD SUSP)			
66-3D1		SWITCH, AUTO CRUISE			
FD03-66-3D1A	1	(NOR. SUSP)			

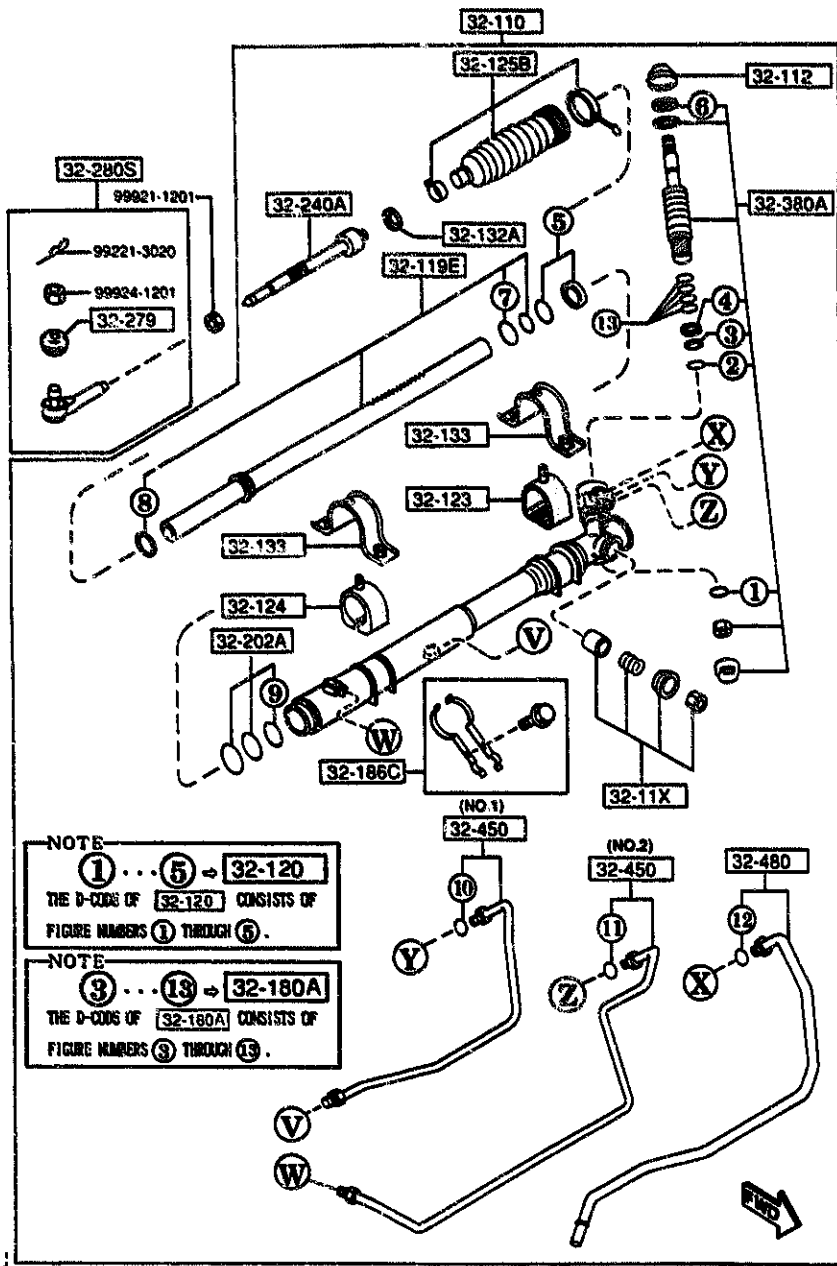
2301 F03MXX-202878  
 3403 F03MXX-210661



PART NO.	QTY	MODEL/RESTRICTION	MODEL/RESTRICTION	MODEL/RESTRICTION	FROM-TO
32-090B FD01-32-090A	1	SHAFT, INTERMED.			
32-099 B455-32-099	2	BOLT, SHAFT			
32-100 FD01-32-100B A (FD01-32-100C)	1	SHAFT, ENGY. ABSORBER			-2201
FD01-32-100C A (FD01-32-100D)	1				2201-2215
FD01-32-100D A (FD01-32-100F)	1				2215-2501
FD01-32-100F	1				2501-
32-168A FB01-32-168	1	WASHER, STOP			
32-169A B001-32-169A	1	BOLT			
32-411 FD01-32-411 A (FD01-32-411A)	1	COVER, DUST			-2215
FD01-32-411A A (FD01-32-411B)	1				2215-2501
FD01-32-411B	1				2501-
32-850 FD01-32-850A	1	JOINT, STEERING			
2201 FD3MM-201428 2215 FD3MM-202163 2501 FD3MM-205709					

3220 STEERING GEAR

3220 -1 STEERING GEAR

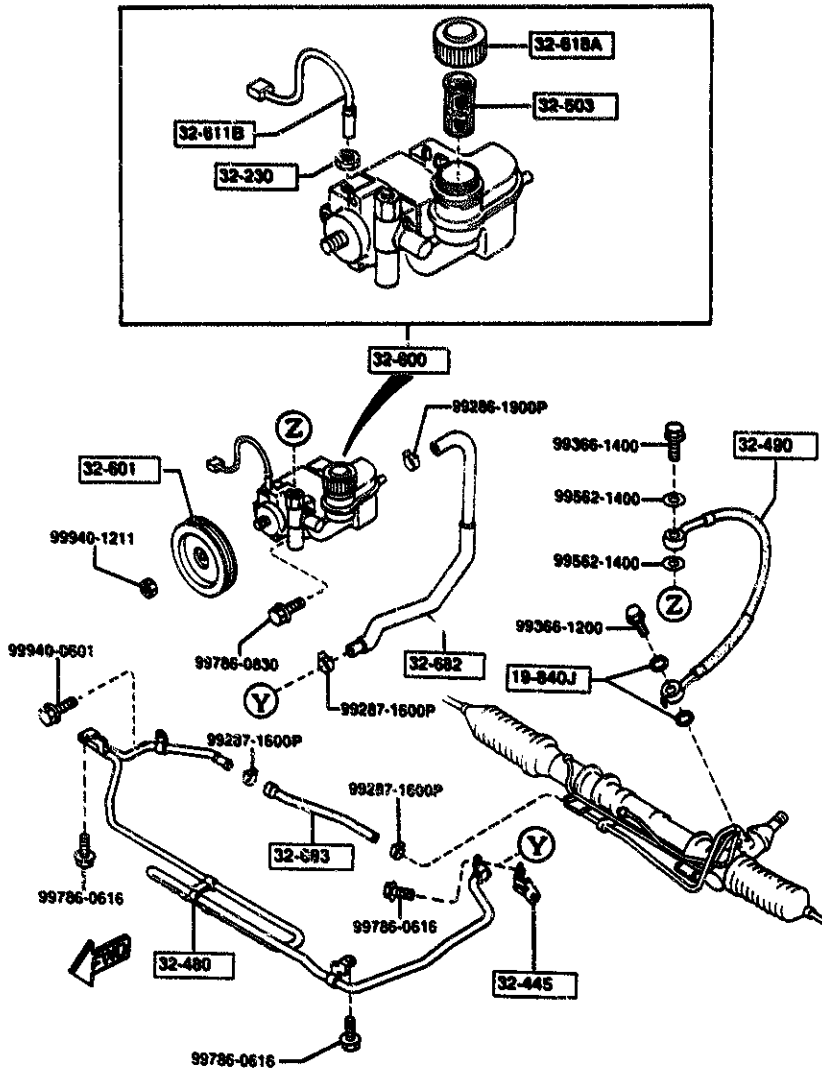


PART NO.	QTY	MODEL/RESTRICTION	MODEL/RESTRICTION	MODEL/RESTRICTION	FROM-TO
32-11X		YOKE SET,SUPPORT-ST. GEAR			
FD01-32-11X	1				
32-110		GEAR,STEERING			
FD01-32-110B AN(FD01-32-110C)	1				-2612
FD01-32-110C A (FD01-32-110D)	1				2612-3201
FD01-32-110D	1				3201-
32-11E		COVER,DUST			
FD01-32-11E	1				
32-119E		RACK,STEERING GEAR			
FD01-32-119	1				
32-120		HOUSING,GEAR			
FD01-32-120	1				
32-123		RUBBER,MOUNTING			
FD01-32-123	1				
32-124		RUBBER,MOUNTING			
FD01-32-124	1				
32-125B		BOOT,RACK			
FD01-32-125 A (FD01-32-125A)	1	(FOR LEFT)			-3201
FD02-32-125 A (FD02-32-125A)	1	(FOR RIGHT)			-3201
FD01-32-125A	1	(FOR LEFT)			3201-
FD02-32-125A	1	(FOR RIGHT)			3201-
32-132A		WASHER			
FD01-32-132	2				
32-133		PLATE,CLAMP			
FD01-32-133	2				
32-180A		SEAL KIT,ST. GEAR			
FD01-32-180	1				

2612 FDSMM-207742  
3201 FDSMM-210578



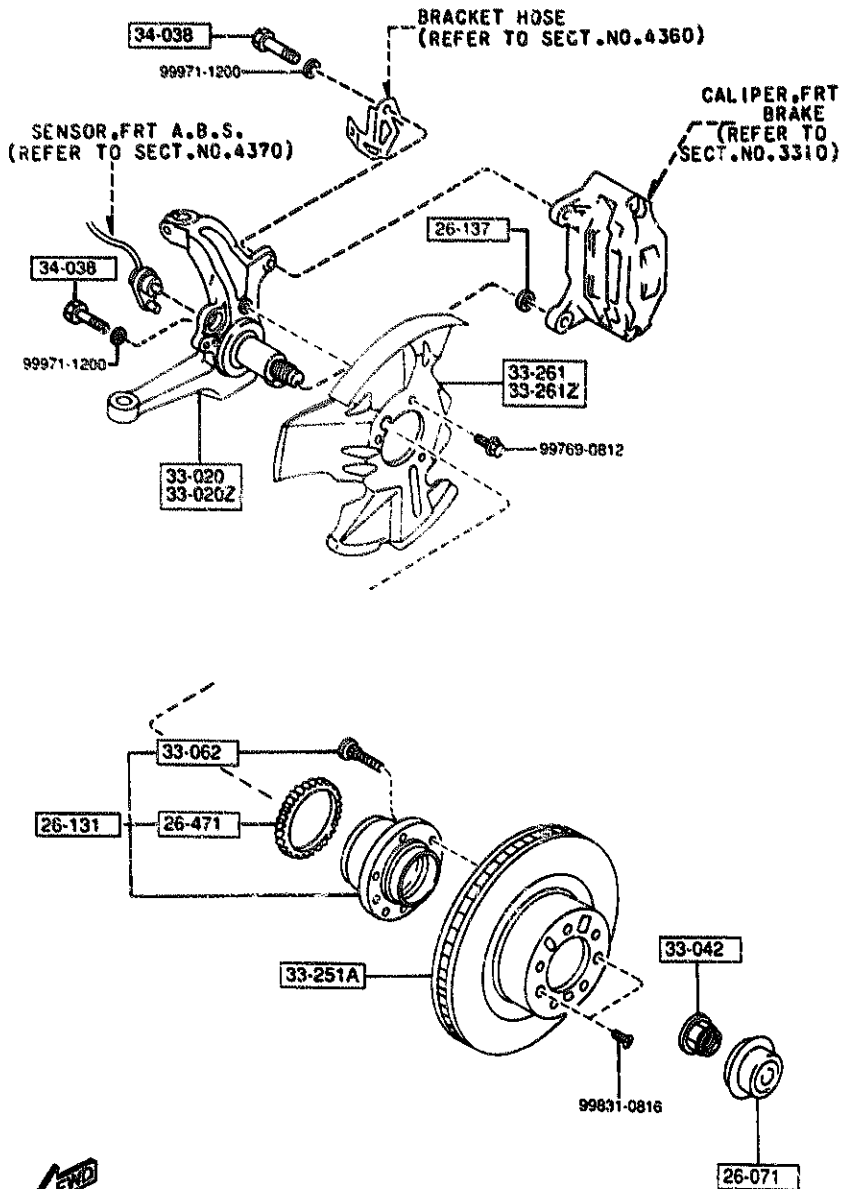




PART NO.	QTY	MODEL/RESTRICTION	MODEL/RESTRICTION	MODEL/RESTRICTION	FRDN TO
19-840J 99941-01401	2	RING, 'C'			
32-230 M38U-32-230	1	SENSOR, STEERING PRES SURE			
32-445 FD01-32-48YA	1	CLIP			-2301
32-480 FD01-32-480F AN(FD01-32-480F)	1	PIPE, RETURN			-2310
32-480 FD01-32-480F	1				2310-
32-490 FD01-32-490C A (FD01-32-490D)	1	HOSE, PRESSURE			-1C21
32-490 FD01-32-490D	1				1C21-
32-503 BR71-32-503	1	STRAINER			
32-600 FD01-32-600C	1	PUMP, VANE			
32-601 FD01-32-620B	1	PULLEY, VANE PUMP			
32-611B FD01-32-611A	1	HARNESS			
32-618A G211-32-618A	1	CAP, VANE PUMP TANK			
32-682 FD01-32-682E	1	HOSE, RETURN			
32-683 FD01-32-683A	1	CLAMP			
1C21 FDSMXX-200106 2301 FDSMXX-202878 2310 FDSMXX-203276					

3300 -1 M FRONT AXLE

3300 FRONT AXLE

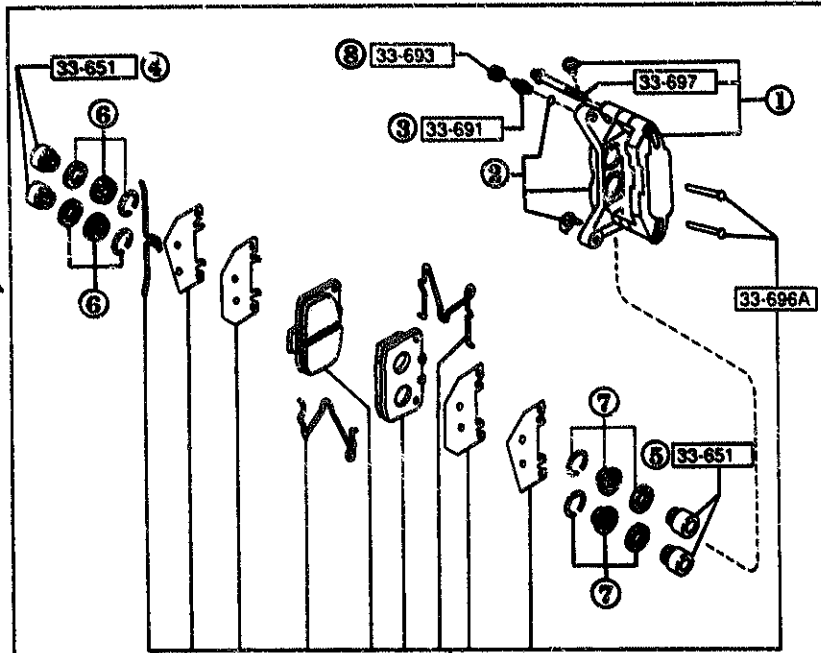


PART NO.	QTY	MODEL/RESTRICTION	MODEL/RESTRICTION	MODEL/RESTRICTION	FROM-10
26-071		CAP, HUB			
GAZA-26-071	2				
26-131		BEARING & HUB			
MGAS5-26-15X	2				
26-137		WASHER, PLAIN-LOWER ARM			
FD01-26-137	2				
26-471		ROTOR, SENSOR-RR A.B.S.			
GA55-26-471	2				
33-020		KNUCKLE(R), STEERING			
FD01-33-021A	1				
33-020Z		KNUCKLE(L), STEERING			
FD01-33-031A	1				
33-042		NUT			
LA01-33-042B	2				
33-062		BOLT, HUB			
J00Y-33-062	10				
33-251A		PLATE, DISC			
FD01-33-25X	2				
33-261		COVER(R), DUST			
FD01-33-261B	1				
33-261Z		COVER(L), DUST			
FD01-33-271B	1				
34-038		BOLT, DAMPER-REAR			
LA01-34-038	4				

AUFA04

CAT. AUFA04-06

1994-09



33-232

NOTE  
 ① ... ⑦ ⇒ 33-610  
 33-610Z  
 THE D-CODE OF 33-610  
 33-610Z CONSISTS OF  
 FIGURE NUMBERS ① THROUGH ⑦.

NOTE  
 ① ... ⑧ ⇒ 33-982  
 33-992  
 THE D-CODE OF 33-982  
 33-992 CONSISTS OF  
 FIGURE NUMBERS ① THROUGH ⑧.

NOTE  
 ⑥ ... ⑧ ⇒ 49-240C  
 THE D-CODE OF 49-240C  
 CONSISTS OF  
 FIGURE NUMBERS ⑥ THROUGH ⑧.

THOUGH ILLUSTRATIONS OF D-CODE 49-240C AND 33-232 ARE FOR LEFT SIDE ONLY,  
 QUANTITIES OF THESE D-CODES IN THE TEXT ARE FOR ONE VEHICLE.

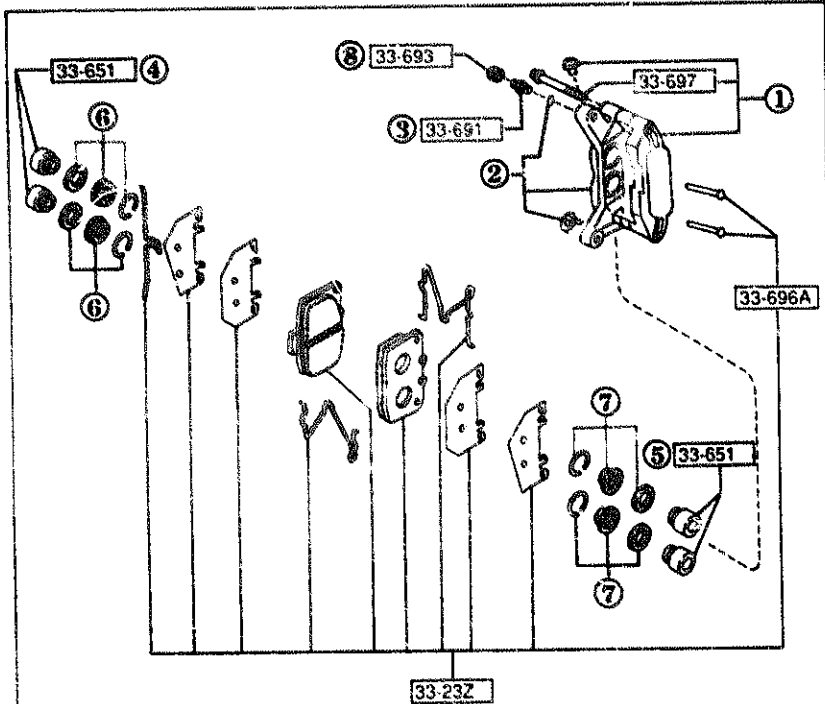
33-980  
 33-980Z

PART NO.	QTY	MODEL/RESTRICTION	MODEL/RESTRICTION	MODEL/RESTRICTION	FROM TO
33-232 FD23-33-232	1	PAD SET,FRT CALIPER NON ASBESTOS			
33-610 FD01-33-61XA	1	BODY & PISTON(R),CALIPER			
33-610Z FD01-33-71XA	1	BODY & PISTON(L),CALIPER			
33-651 FB05-33-651A	6	PISTON,CALIPER-FRT			
33-691 B001-33-691	2	SCREW,BLEEDER			
33-693 FB05-33-693	2	CAP,RUBBER			
33-696A FD01-33-696	4	PIN,PAD-FRONT BRAKE			
33-697 FD01-33-697	8	BOLT,BRIDGE-FRT BRAKE			
33-982 FD13-33-982	1	CALIPER(R),PADLESS-FR			
33-980 FD13-33-980A AN(FD13-33-980B)	1	CALIPER(R),FRT BRAKE			-3114
33-980B FD13-33-980B	1				3114-
33-980Z FD13-33-980A AN(FD13-33-980B)	1	CALIPER(L),FRT BRAKE			-3114
33-980B FD13-33-980B	1				3114-
33-992 FD13-33-992	1	CALIPER(L),PADLESS-FR			
3114 FD3MM-210571					



3310 FRONT BRAKE MECHANISMS

3310 -2 M FRONT BRAKE MECHANISMS



NOTE  
 ① ... ⑦ ⇔ 33-610  
 33-610Z  
 THE D-CODE OF 33-610  
 33-610Z CONSISTS OF  
 FIGURE NUMBERS ① THROUGH ⑦.

NOTE  
 ① ... ⑧ ⇔ 33-982  
 33-99Z  
 THE D-CODE OF 33-982  
 33-99Z CONSISTS OF  
 FIGURE NUMBERS ① THROUGH ⑧.

NOTE  
 ⑥ ... ⑧ ⇔ 49-240C  
 THE D-CODE OF 49-240C  
 CONSISTS OF  
 FIGURE NUMBERS ⑥ THROUGH ⑧.

THOUGH ILLUSTRATIONS OF D-CODE 49-240C AND 33-232 ARE FOR LEFT SIDE ONLY.  
 QUANTITIES OF THESE D-CODES IN THE TEXT ARE FOR ONE VEHICLE.

33-980  
 33-980Z

PART NO.	QTY	MODEL/RESTRICTION	MODEL/RESTRICTION	MODEL/RESTRICTION	FROM TO
49-240C FB05-49-240	1	SEAL KIT,CALIPER-FRT			



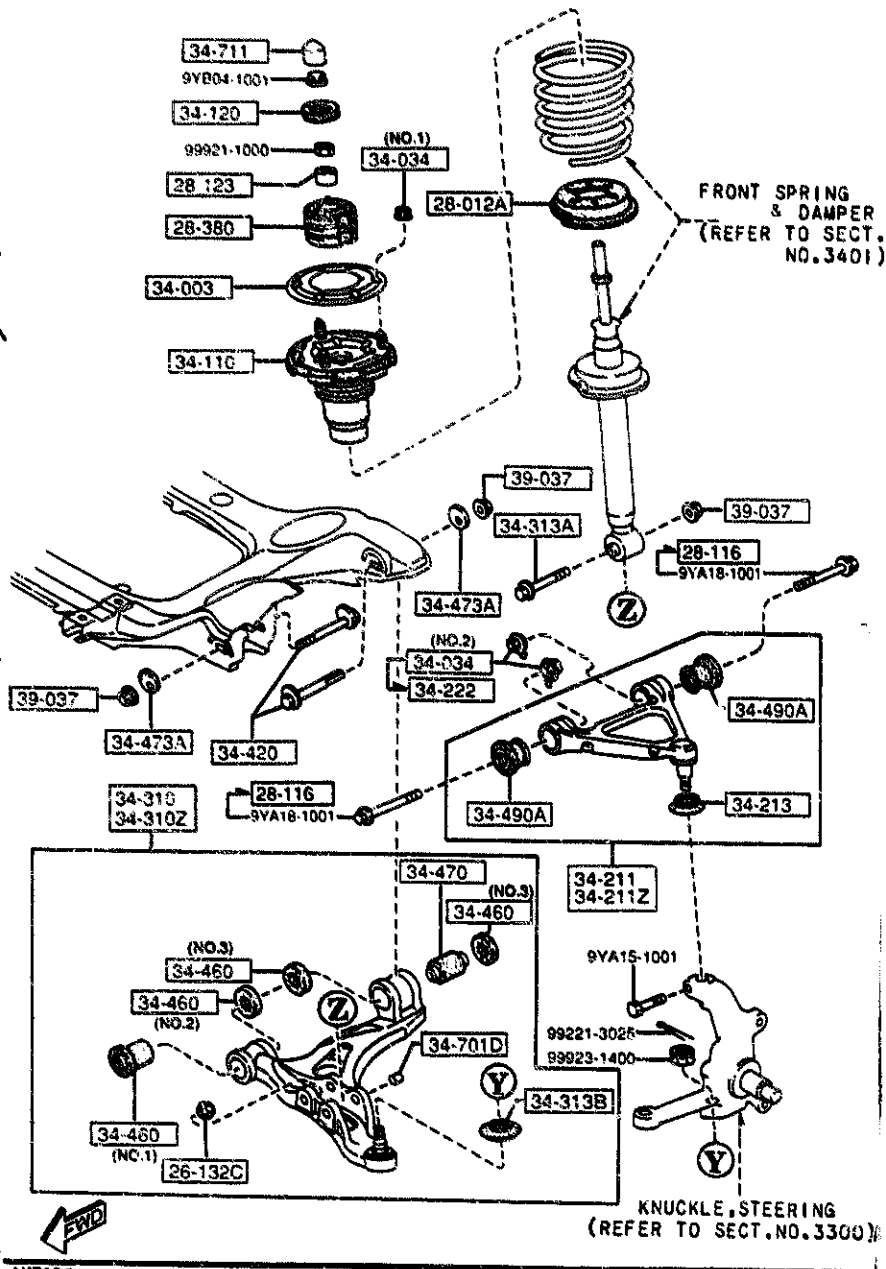
AUFA04

CAT. AUFA04-06

1994-09



3400 FRONT SUSPENSION MECHANISMS



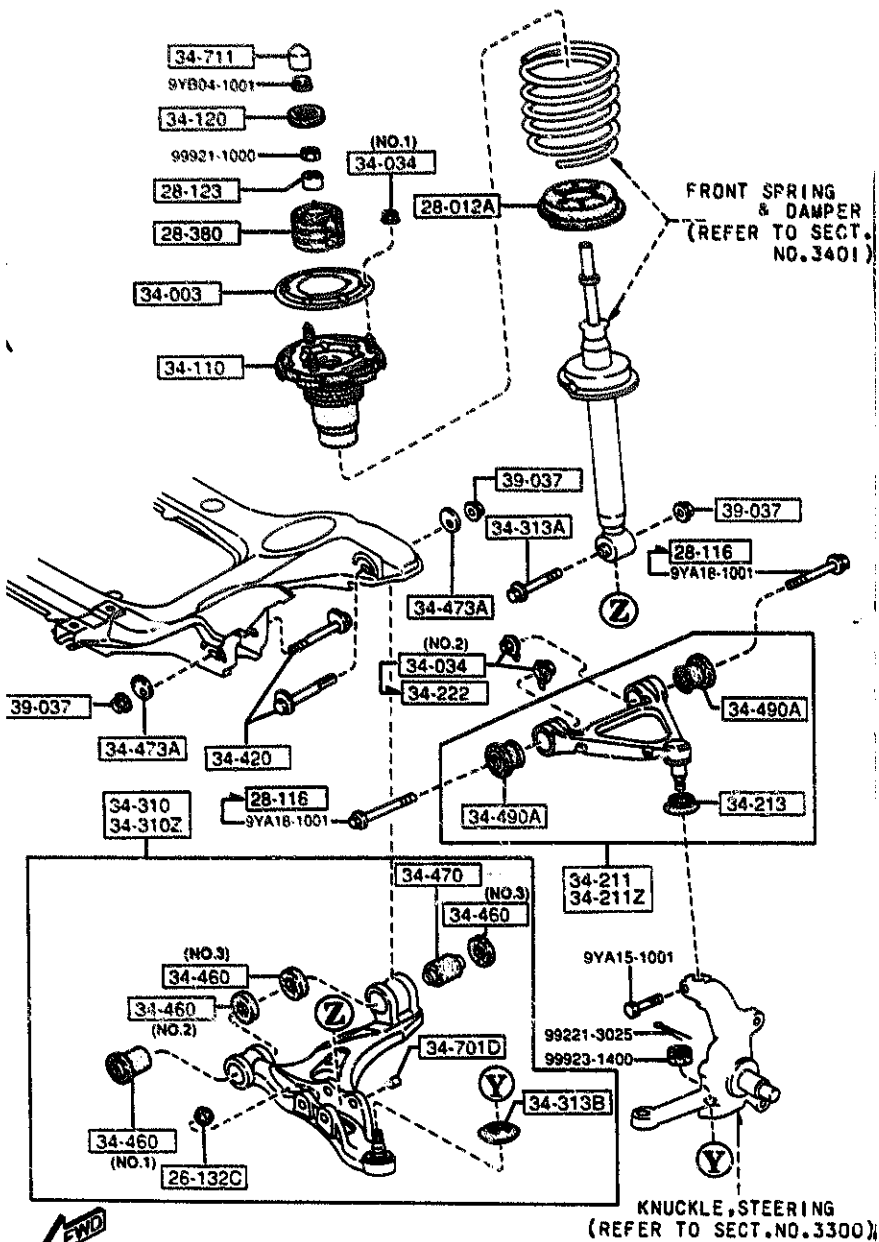
PART NO.	QTY	MODEL/RESTRICTION	MODEL/RESTRICTION	MODEL/RESTRICTION	FROM TO
34-222		NUT			
8871-34-222	4				2116-
34-310		ARM(R), LOWER			
FD01-34-300D A (FD01-34-300E)	1				-2101
FD01-34-300E	1				2101-
34-310Z		ARM(L), LOWER			
FD01-34-350D A (FD01-34-350E)	1				-2101
FD01-34-350E	1				2101-
34-313A		BOLT			
H260-34-313	2				
34-313B		BOOT, BALL JOINT-LWR ARM			
FD01-34-313	2				
34-420		BOLT, ADJUST			
FD01-34-420	4				
34-460		BUSH, RUBBER-LWR ARM			
FD01-34-460B	2	(ILLUST. NO. 1)			
FD01-34-461	2	(ILLUST. NO. 2)			
FD01-34-471A	4	(ILLUST. NO. 3)			
34-470		BUSHING, RUBBER-FRT			
FD01-34-470A	2				
34-473A		PLATE, CAM			
FD01-34-473	4				
34-490A		BUSHING, RUBBER			
FD01-34-480A	4				
34-701D		SLEEVE			
FD01-34-701A A (FD01-34-701B)	2				-2101
FD01-34-701B	2				2101-

2101 F03MHW-200251  
2116 F03MHW-200717

AUFA04

CAT. AUFA04-06

1994-09



PART NO.	QTY	MODEL/RESTRICTION	MODEL/RESTRICTION	MODEL/RESTRICTION	FROM TO
34-711		CAP			
FD01-34-711A	2				
39-037		NUT			
8001-39-037B	6				

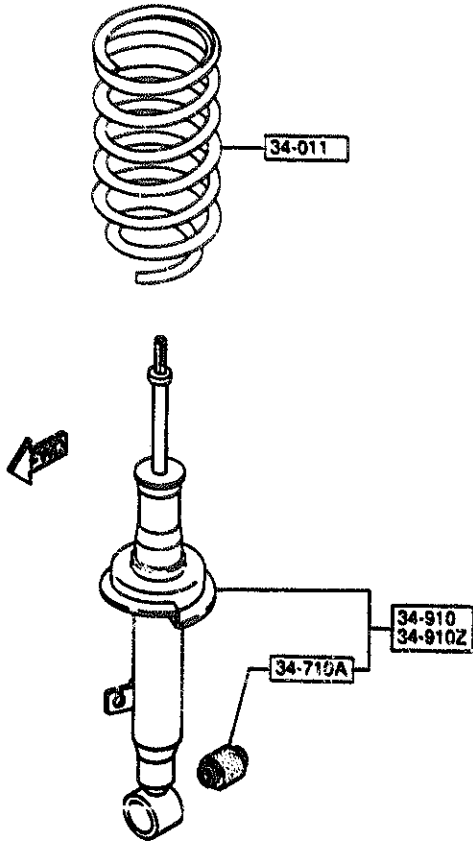
AUFA04

CAT. AUFA04-06

1994-09

3401 FRONT SPRING & DAMPER

3401 -1 \* FRONT SPRING & DAMPER

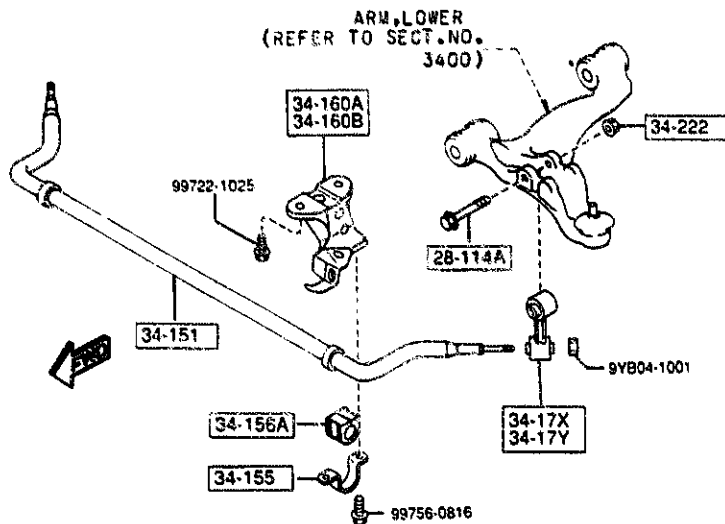
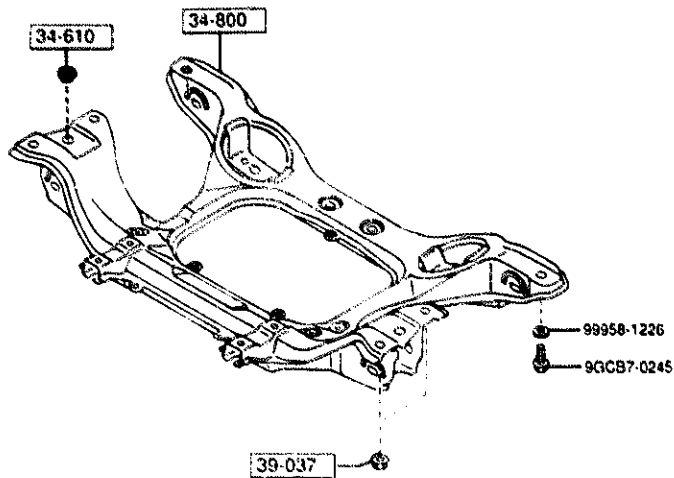


PART NO.	QTY	MODEL/RESTRICTION	MODEL/RESTRICTION	MODEL/RESTRICTION	FROM-TO
34-011 FD03-34-011	2	SPRING, COIL-FRONT			
34-710A FD01-34-710A	2	BUSHING, DAMPER-LOWER			
34-910 FD01-34-700B FD03-34-700C	1	DAMPER(R), FRONT (NDR. SUSP)			
34-910Z FD01-34-900B FD03-34-900C	1	DAMPER(L), FRONT (NDR. SUSP) (HARD SUSP)			



3410 -1 \* CROSSMEMBER & STABILIZER

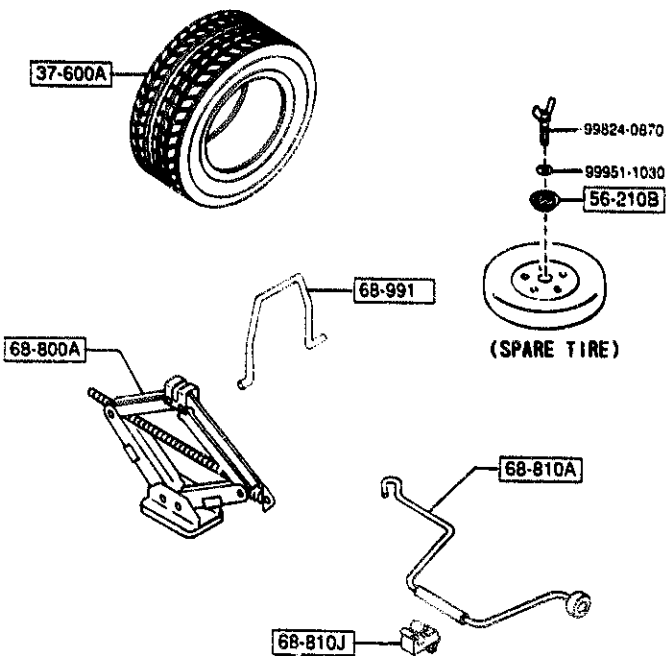
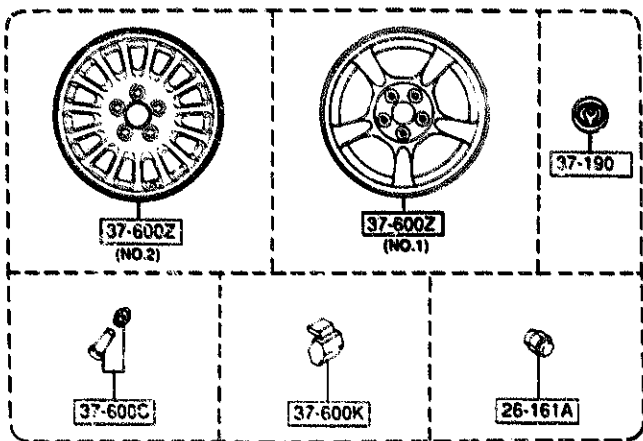
3410 CROSSMEMBER & STABILIZER



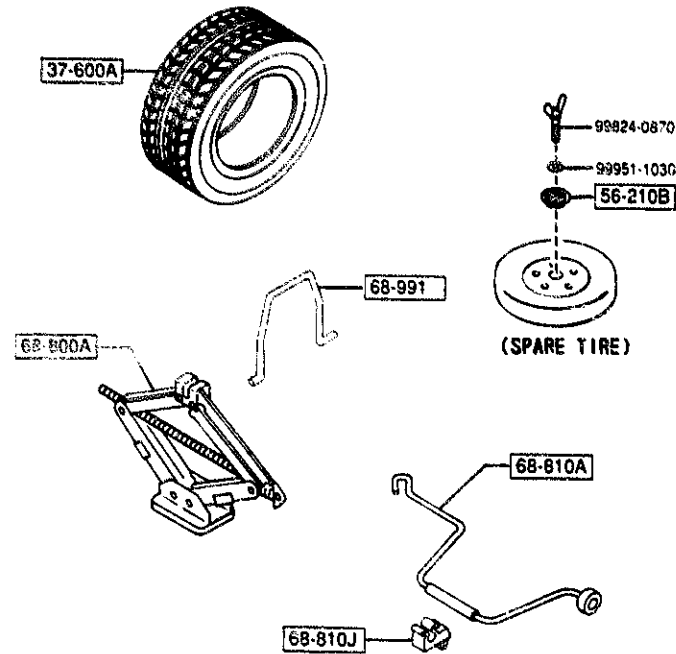
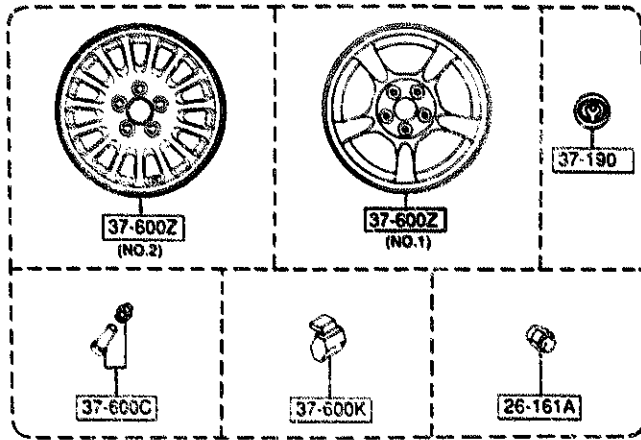
PART NO.	QTY	MODEL/RESTRICTION	MODEL/RESTRICTION	MODEL/RESTRICTION	FROM-TO
28-114A		BOLT			
FD01-28-114	2				
34-151		STABILIZER, FRONT			
FD01-34-151A	1				
34-155		PLATE, STABILIZER			
FD01-34-155	2				
34-156A		RUBBER, STAB -FRT			
FD01-34-156	2				
34-160A		BRACKET, STABILIZER			
FD01-34-160C A (FD01-34-160D)	1				-2203
FD01-34-160D	1				2203-
34-160B		BRACKET, STABILIZER			
FD01-34-180B A (FD01-34-180C)	1				-2203
FD01-34-180C	1				2203-
34-17X		LINK(R), FRONT STABILIZER			
FD01-34-17X	1				
34-17Y		LINK(L), FRONT STABILIZER			
FD01-34-19X	1				
34-222		NUT			
8871-34-222	2				
34-610		RUBBER, MOUNTING			
FD01-34-610A	2				
34-800		MEMBER, CROSS			
FD01-34-800G	1				
39-037		NUT			
B001-39-037B	4				
2203 FD3MXX-201456					

3700 -1 TIRES & JACK

3700 TIRES & JACK



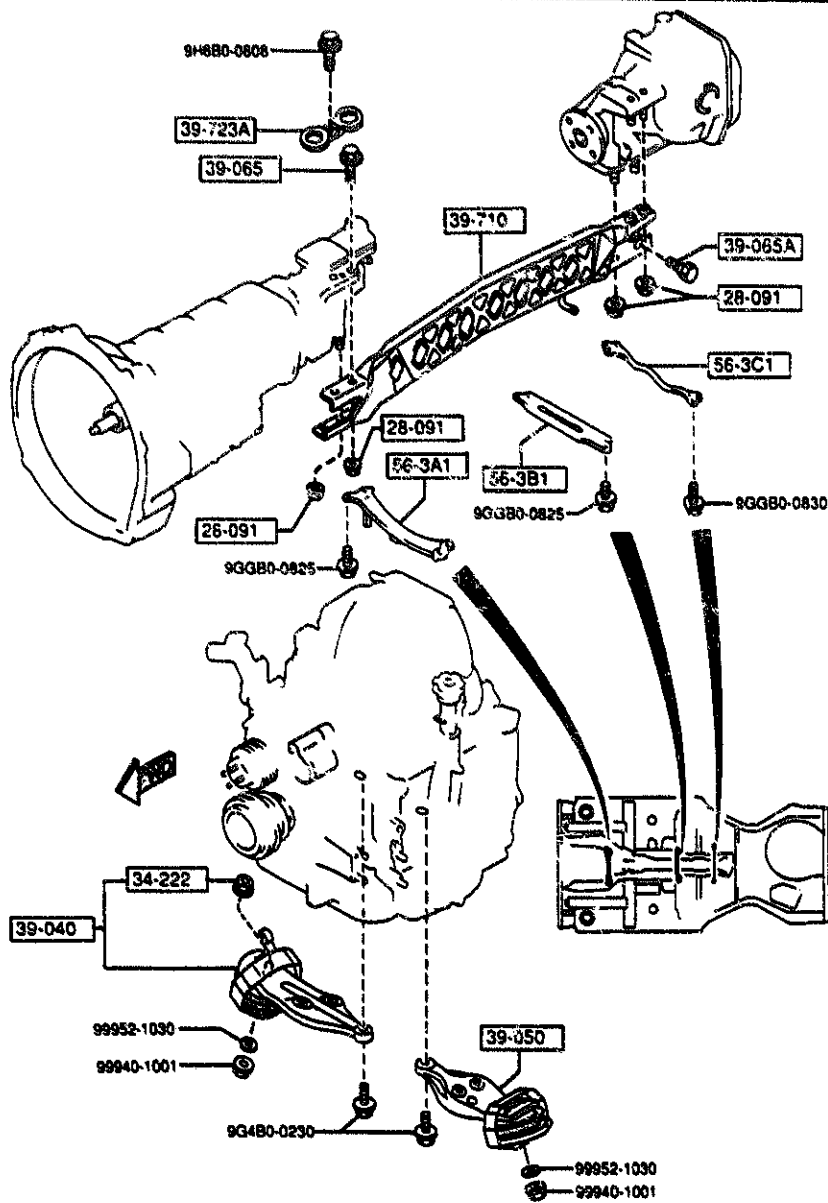
PART NO.	QTY	MODEL/RESTRICTION	MODEL/RESTRICTION	MODEL/RESTRICTION	FROM-TO
26-161A		NUT, HUB			
B002-37-160	20	PLATED			
37-190		CAP, CENTER			
FD01-37-191A A (FD01-37-191B)	4				-2218
FD01-37-191B	4				2218-
37-600A		TIRE			
90620-17636	1	T135/70D16 BS			
90620-59726	2	P225/50ZR16			
90620-75726	4	225/50R16			
90621-65726	2	P225/50ZR16			
90621-85726	4	P225/50R16 91V			
90622-65726	4	225/50R16			2C01-
37-600C		VALVE, AIR			
99636-04130	5	TR413			
37-600K		WEIGHT, DISC WHEEL-AL UMI			
99655-90003	4	5G FOR 1-PIECE WHL			
99655-90010	4	10G FOR 1-PIECE WHL			
99655-90015	4	15G FOR 1-PIECE WHL			
99655-90020	4	20G FOR 1-PIECE WHL			
99655-90025	4	25G FOR 1-PIECE WHL			
99655-90030	4	30G FOR 1-PIECE WHL			
99655-90035	4	35G FOR 1-PIECE WHL			
99655-90040	4	40G FOR 1-PIECE WHL			
99655-90045	4	45G FOR 1-PIECE WHL			
		2218 FD3MM-202261			
		2C01 FD3MM-210514			



PART NO.	QTY	MODEL/RESTRICTION	MODEL/RESTRICTION	MODEL/RESTRICTION	FROM-TO
CONT'D					
99655-90050	4	50G FOR 1-PIECE WHL			
99655-90055	4	55G FOR 1-PIECE WHL			
99655-90060	4	60G FOR 1-PIECE WHL			
37-600Z		WHEEL, DISC-ALUMI.			
99650-28060	4	8JXX16 P=114/D=50 (ILLUST. NO.1) (MT)			
99651-94060	1	4TX16 P=114/D=40 (ILLUST. NO.2)			
99650-28060	4	8JXX16 P=114/D=50 (ILLUST. NO.1) (AT)			-2615
99650-58060	4	8JXX16 P=114/D=50 (ILLUST. NO.1) (AT)			2615-
56-210B		CLAMP, SPARE TIRE			
FB01-56-971	1				
68-800A		JACK			
FD01-37-790A	1				
68-810A		HANDLE, JACK			
FD01-37-810	1				
68-810J		HOLDER, JACK HANDLE			
FD01-56-171A	1				
68-991		WIRE			
FD01-56-172	1				
2615 FD3MKN-207818					

3900 ENGINE & T/MISSION MOUNTINGS

3900 -1 H ENGINE & T-MISSION MOUNTINGS



PART NO.	QTY	MODEL/RESTRICTION	MODEL/RESTRICTION	MODEL/RESTRICTION	FROM TO
28-091		NUT			
FB01-28-091A	8				
34-222		NUT			
8871-34-222	1				
39-040		RUBBER(R), ENGINE MT.			
FD01-39-040C	1				
39-050		RUBBER(L), ENGINE MT.			
FD01-39-050A	1				
39-065		BOLT			
FD01-39-065	2				
39-065A		BOLT			
FD01-39-066	1				
39-710		FRAME, POWER PLANT			
FD01-39-710B	1				
39-723A		STOPPER			
FD01-39-723	1				
56-3A1		MEMBER 'A', TUNNEL			
FD01-56-3A1	1				
56-3B1		MEMBER 'B', TUNNEL			
FD01-56-3B1	1				
56-3C1		MEMBER 'C', TUNNEL			
FD01-56-3C1A A (FD01-56-3C1B)	1				-2301
FD01-56-3C1B A (FD01-56-3C1C)	1				2301-2701
FD01-56-3C1C	1				2701-
2301 FD3***-202878 2701 FD3***-208628					

AUFA04

CAT. AUFA04-06

1994-09





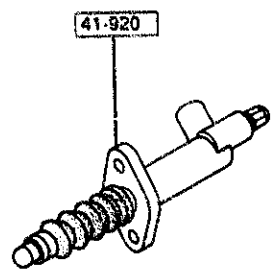
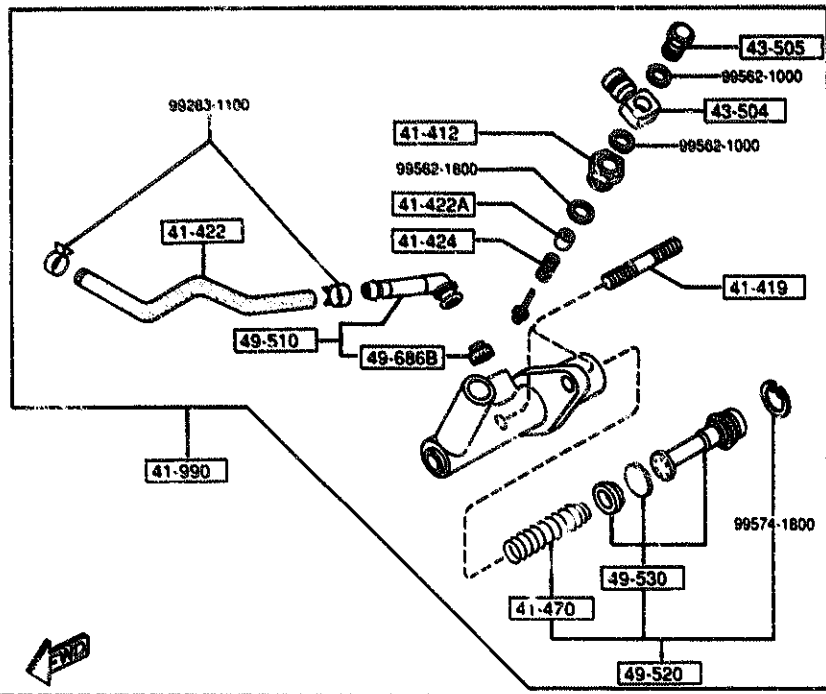






4140 -1 CLUTCH RELEASE & MASTER CYLINDERS (MANUAL TRANSMISSION)

4140 CLUTCH RELEASE & MASTER CYLINDERS (MANUAL TRANSMISSION)



PART NO.	QTY	MODEL/RESTRICTION	MODEL/RESTRICTION	MODEL/RESTRICTION	FROM-TO
41-412		BOLT, JOINT			
G091-41-412	1				
41-419		STUD, CLUTCH CYL.			
FD01-41-419	2				
41-422		HOSE, RESERVE			
F100-41-421	1				
41-422A		PISTON, O.W. VALVE			
0813-41-422D	1				
41-424		SPRING, O.W. VALVE			
H005-41-424	1				
41-470		SPRING			
B312-41-470	1				
41-920		CYL., CLUTCH RELEASE			
FD01-41-920	1				
41-990		CYL., CLUTCH MASTER			
FD01-41-990A	1				-2401
AM(FD01-41-990B)					
FD01-41-990B	1				2401-2801
F100-41-990B	1				2801-
43-504		JOINT, PIPE			
W023-43-504	1				
43-505		BOLT, CONNECTOR			
W023-43-505	1				
49-510		BUSH SET			
W001-49-510	1				
49-520		PARTS KIT, INN.-CLUTC			
B312-41-522	1				
49-530		SEAL KIT			
B312-41-532	1				

2401 FDSMM-204513  
2801 FDSMM-209984

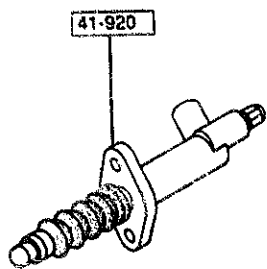
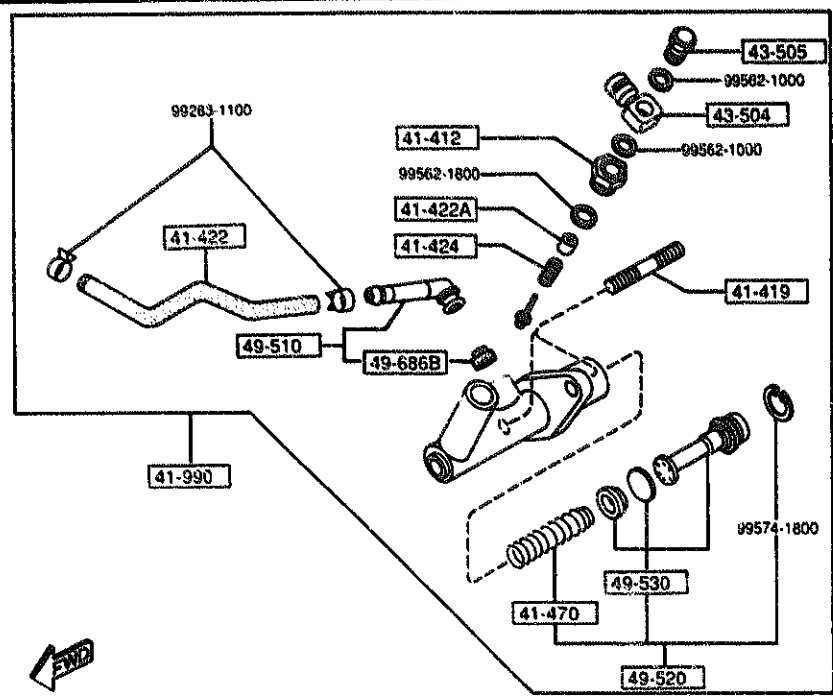
AUFA04

CAT. AUFA04-06

1994-09

4140 -2 M CLUTCH RELEASE & MASTER CYLINDERS (MANUAL TRANSMISSION)

4140 CLUTCH RELEASE & MASTER CYLINDERS (MANUAL TRANSMISSION)



PART NO.	QTY	MODEL/RESTRICTION	MODEL/RESTRICTION	MODEL/RESTRICTION	FROM-TO
49-686B		BUSH, ELBOW JOINT			
0839-49-686A	1				

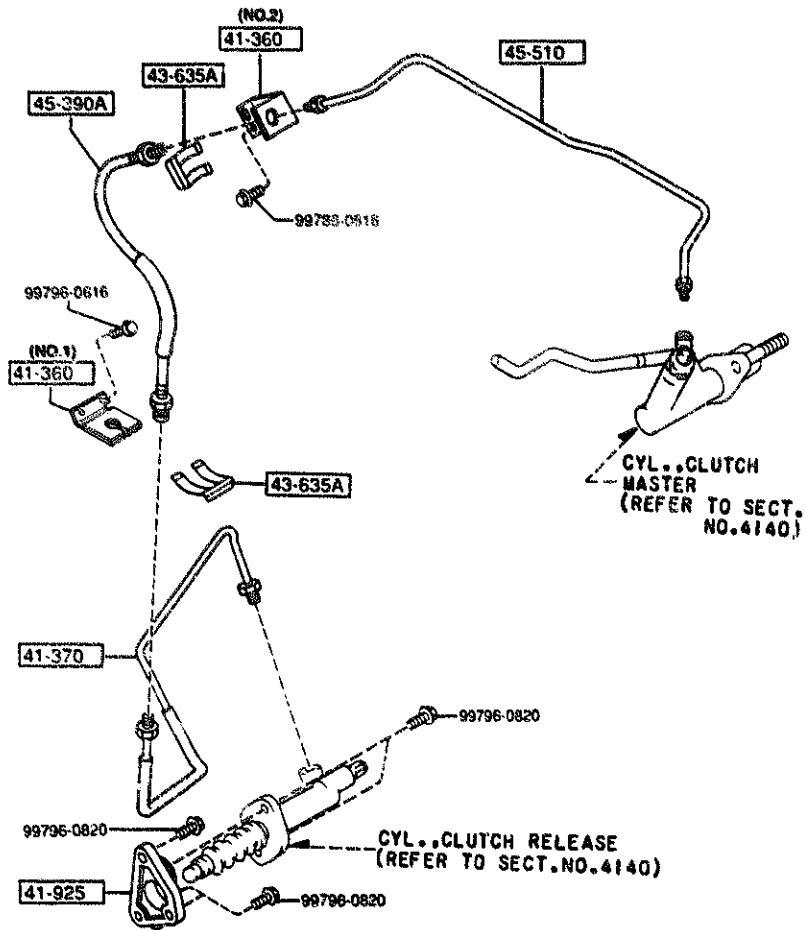
AUFA04

CAT. AUFA04-96

1994-09

4145 CLUTCH PIPINGS (MANUAL TRANSMISSION)

4145 -1 M CLUTCH PIPINGS (MANUAL TRANSMISSION)



PART NO.	QTY	MODEL/RESTRICTION	MODEL/RESTRICTION	MODEL/RESTRICTION	FROM-TO
41-360		HOLDER, CLUTCH			
FD03-41-370	1	(ILLUST. NO.1)			
F100-41-370	1	(ILLUST. NO.2)			
41-370		PIPE, CLUTCH			
FD01-41-360A	1				
41-925		SUPPORT, CLUTCH RELEASE			
N315-16-921	1				
43-635A		CLIP, FLEXIBLE HOSE			
O136-43-635	2				
45-390A		HOSE, CLUTCH FLEXIBLE			
HE01-45-540	1				
45-510		PIPE, CLUTCH			
FD01-45-510C	1				-2801
FD01-45-510D	1				2801-

2801 F03MM-209984

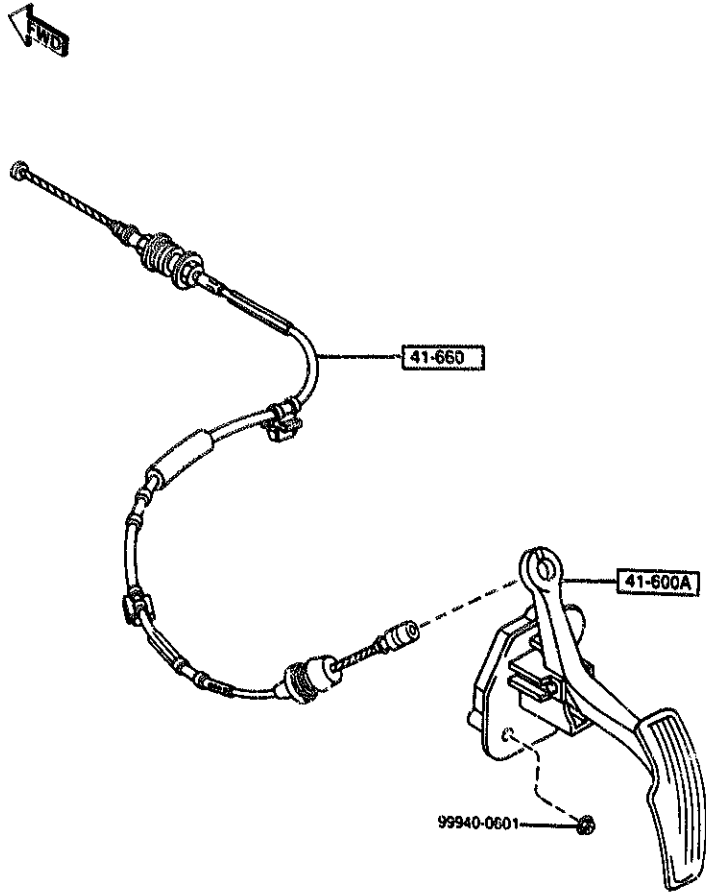
AUFA04

CAT. AUFA04-06

1994-89

4160 ACCELERATOR CONTROL SYSTEM

4160 -1 M ACCELERATOR CONTROL SYSTEM



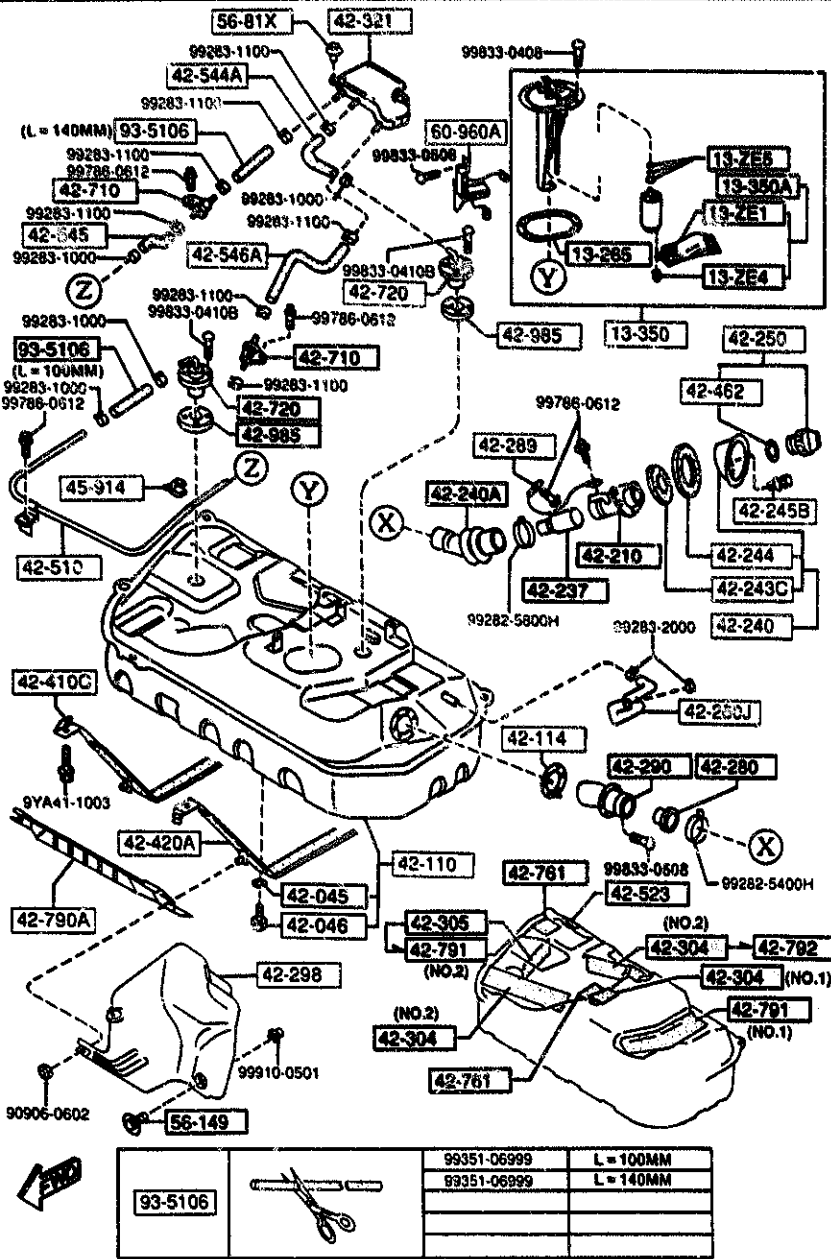
PART NO.	QTY	MODEL/RESTRICTION	MODEL/RESTRICTION	MODEL/RESTRICTION	FROM-TO
41-600A FD01-41-600B	1	PEDAL, ACCEL.			
41-660 FD01-41-660A AN(FD01-41-660B) FD01-41-660B	1 1	CABLE, ACCEL.			-2901 2901-
2901 FD3MM-210499					

AUFA04

CAT. AUFA04-06

1994-09

4200 FUEL TANK

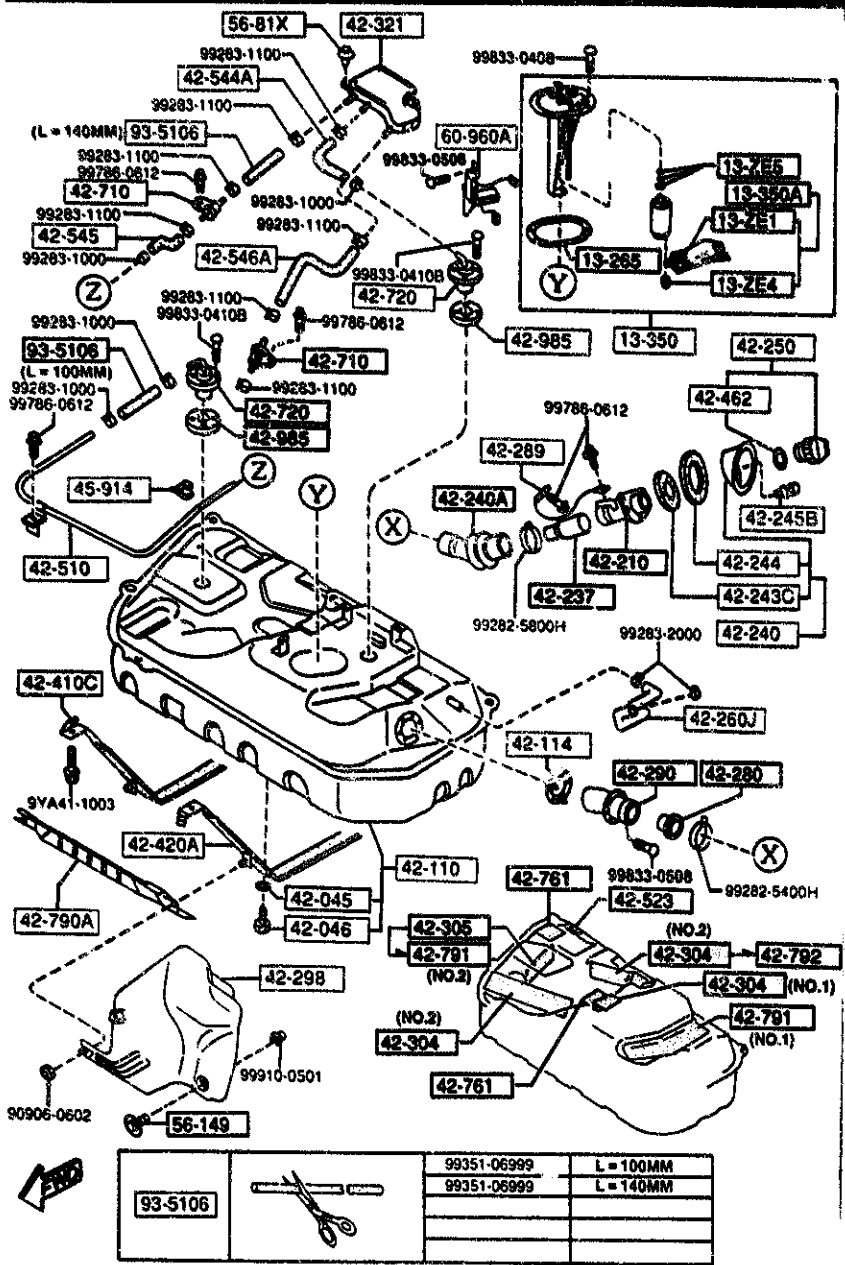


PART NO.	QTY	MODEL/RESTRICTION	MODEL/RESTRICTION	MODEL/RESTRICTION	FROM TO
13-2E1		FILTER, FUEL PUMP			
JE17-13-2E1	1	DENSO			
13-2E4		WASHER, LOCK-PUMP FILTER			
FEH2-13-2E4	1	NIPPONDENSO (JAPAN)			
13-2E5		RING, 'O'-FUEL PUMP			
BP02-13-2E5	1				
13-2E5		GASKET			
HG30-60-962	1				
13-350		PUMP, FUEL			
N3A1-13-352	1				
13-350A		PUMP, FUEL-SUB			
N390-13-350	1				
42-045		GASKET, DRAIN PLUG			
C866-42-046	1				
42-046		PLUG, DRAIN			
B596-42-046	1				2201-
42-110		TANK, FUEL			
FD01-42-110A	1				-2908
A (FD01-42-110B)					
FD01-42-110B	1				2908-
42-114		GASKET, FILLER PIPE/TANK			
HG31-42-114	1				
42-210		PIPE, FILLER			
FD01-42-210A	1				
42-237		PIPE, INNER			
FD01-42-237	1				
42-240		COVER, DUST			
FD01-42-242	1				

2201 FD3MNM-201428  
2908 FD3MNM-210501

4200 FUEL TANK

4200 -2 FUEL TANK



PART NO.	QTY	MODEL/RESTRICTION	MODEL/RESTRICTION	MODEL/RESTRICTION	FROM-TO
42-240A	1	HOSE, JOINT-FILLER PIPE			-2901
FD01-42-231 AN(FD01-42-231A)	1				2901-
FD01-42-231A	1				
42-243C	1	GASKET 'A', REINFORCEMENT			
GE60-42-243	1				
42-244	1	GASKET 'B', DUST COVER			
FD01-42-244	1				
42-245B	2	BOLT, DUST COVER			
H260-42-245A	2				
42-250	1	CAP, FILLER			
UE94-42-250	1				
42-260J	1	HOSE, BREATHER			
FD01-42-232	1				
42-280	1	VALVE, NON RETURN			
D061-42-270	1				
42-289	1	WIRE, EARTH-FILLER PIPE			-2501
HG30-42-289	1				2501-
FD01-42-289	1				
42-290	1	PIPE, FILLER NO.2			
HG30-42-11X	1				
42-296	1	PROTECTOR, FILLER HOSE			
FD01-42-296	1				
42-304	1	PAD, FUEL TANK			
B455-42-761	1	NISSHO (ILLUST. NO.1)			
FD01-42-762	2	RYODEN (ILLUST. NO.2)			-1C17
FD01-42-762	1	RYODEN (ILLUST. NO.2)			1C17-

1C17 FD3MM-20099  
 2501 FD3MM-205709  
 2901 FD3MM-210499

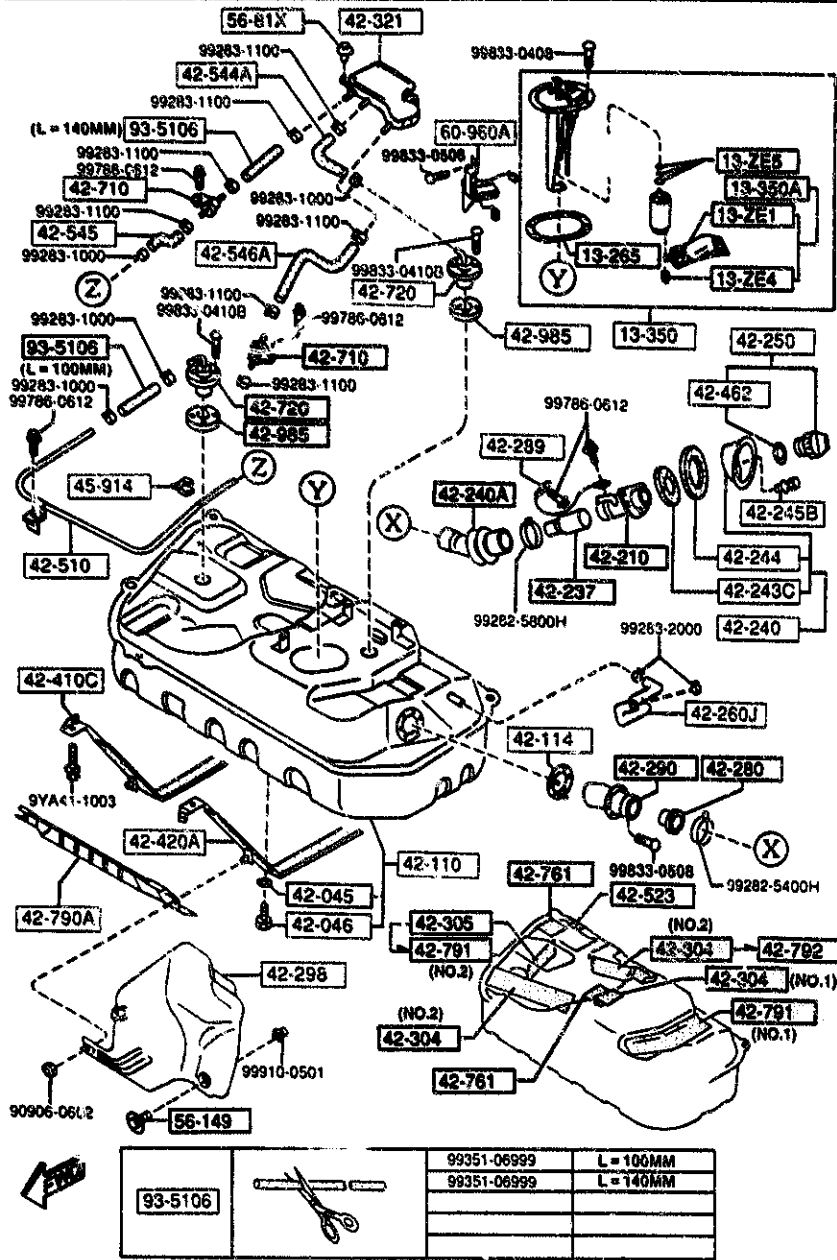
AUFA04

CAT. AUFA04-06

1994-09

4200 FUEL TANK

4200 -3 FUEL TANK



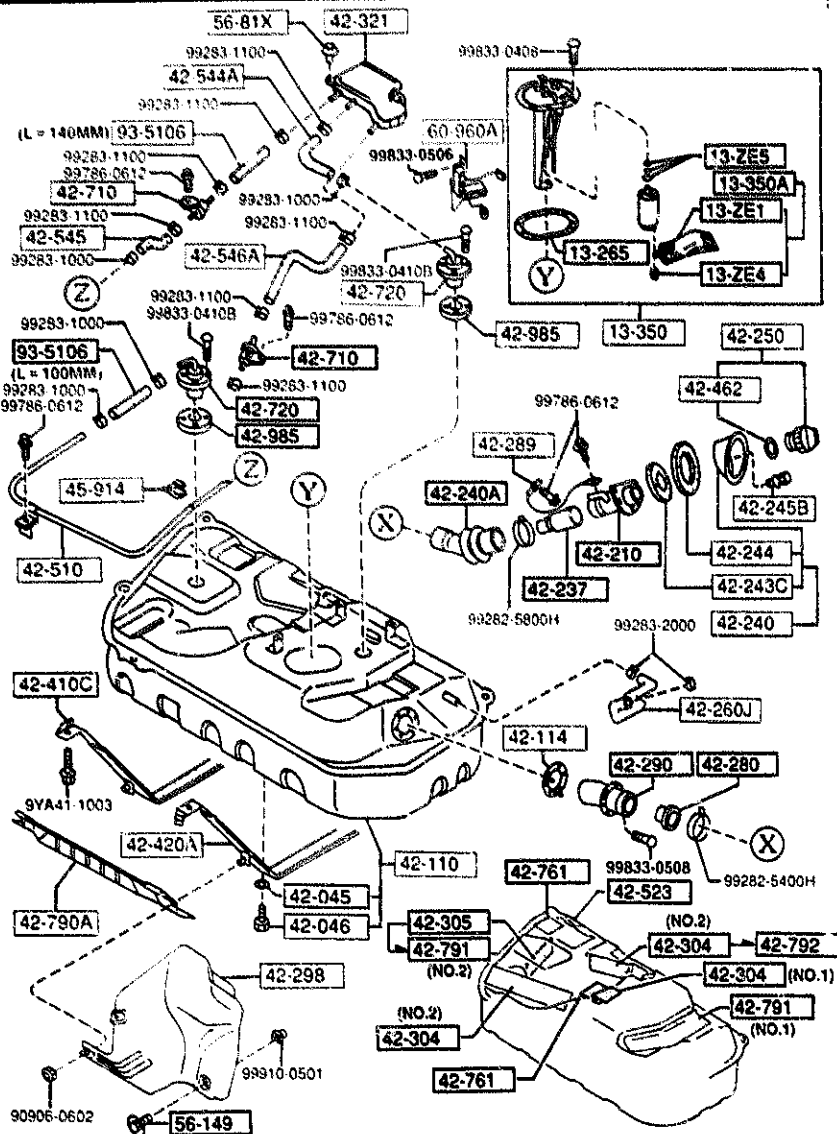
PART NO.	QTY	MODEL/RESTRICTION	MODEL/RESTRICTION	MODEL/RESTRICTION	FROM TO
42-302		PAD, FUEL TANK			
B455-42-763	1				-2908
42-321		SEPARATOR, LIQ. VAPOR			
FD01-42-541	1				
42-410C		BAND(R), TANK FIX.			
FD01-42-710	1				
42-420A		BAND(L), TANK FIX.			
FD01-42-720	1				
42-462		GASKET, CAP			
BF67-42-252	1				
42-510		PIPE, FUEL			
FD01-42-510A	1				
42-523		PAD, FUEL TANK			
FD01-42-766	1				-2615
AN(FD01-42-767)					
FD01-42-767	1				2615-
42-544A		HOSE, FUEL-SEPARATOR			
FD01-42-544	1				
42-545		HOSE, FUEL			
FD01-42-545	1				
42-546A		HOSE, FUEL-SEPARATOR			
FD01-42-546	1				
42-710		VALVE, CHECK			
J001-42-910A	2				
42-720		VALVE, FUEL VAPOR.			
FBC1-42-980	2				
42-761		PAD			
FD01-42-761	2				
2615 FD3MM-207818					
2908 FD3MM-216501					

AUFA04

CAT. AUFA04-06

1994-09

4200 FUEL TANK



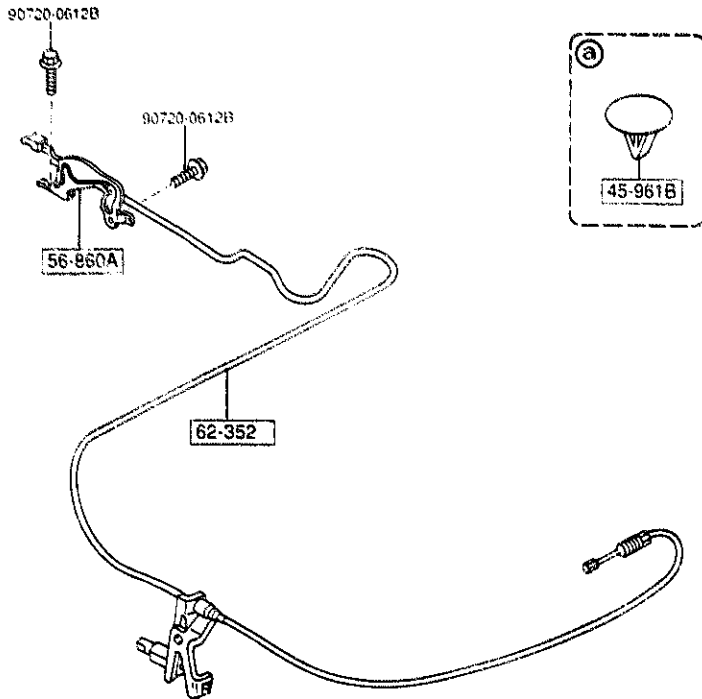
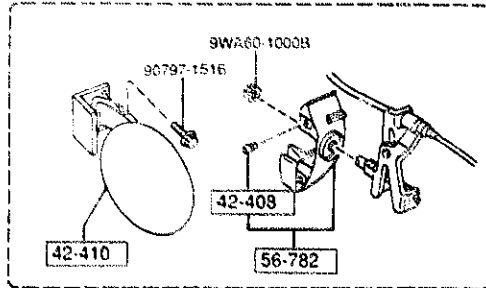
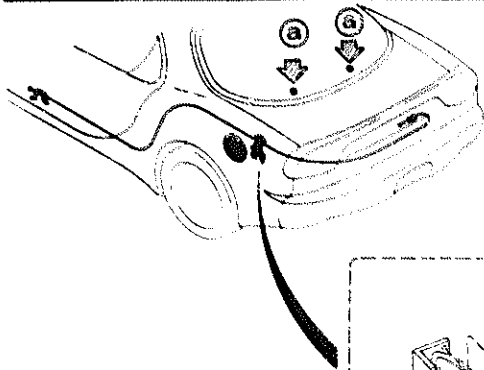
PART NO.	QTY	MODEL/RESTRICTION	MODEL/RESTRICTION	MODEL/RESTRICTION	FROM ID
42-790A		PROTECTOR, FUEL TANK			
FD01-42-790	1				
42-791		PAD, FUEL TANK			
FD01-42-763	1	MOLTEN (ILLUST. NO.1)			
B529-42-763	1	NISSHO (ILLUST. NO.2)			2908-
42-792		PAD, FUEL TANK			
FD01-42-768	1				1C17-
42-985		GASKET, VAPOR VALVE			
FB01-42-985	2				
45-914		HOLDER, PIPE			
FB01-45-914	1	NIFUKO			
56-149		SCREW, TAPPING-MUD GUARD			
B455-56-149	3				
56-81X		FASTENER, DUCT PANEL			
FB01-56-81X	2				
60-960A		GAUGE, FUEL TANK			
FD01-60-960A	1				
93-5106		HOSE			
99351-06999	1				

1C17 FDS\*\*\*-200099  
2908 FDS\*\*\*-210501



4210 -1 \* FUEL LID OPENER

4210 FUEL LID OPENER

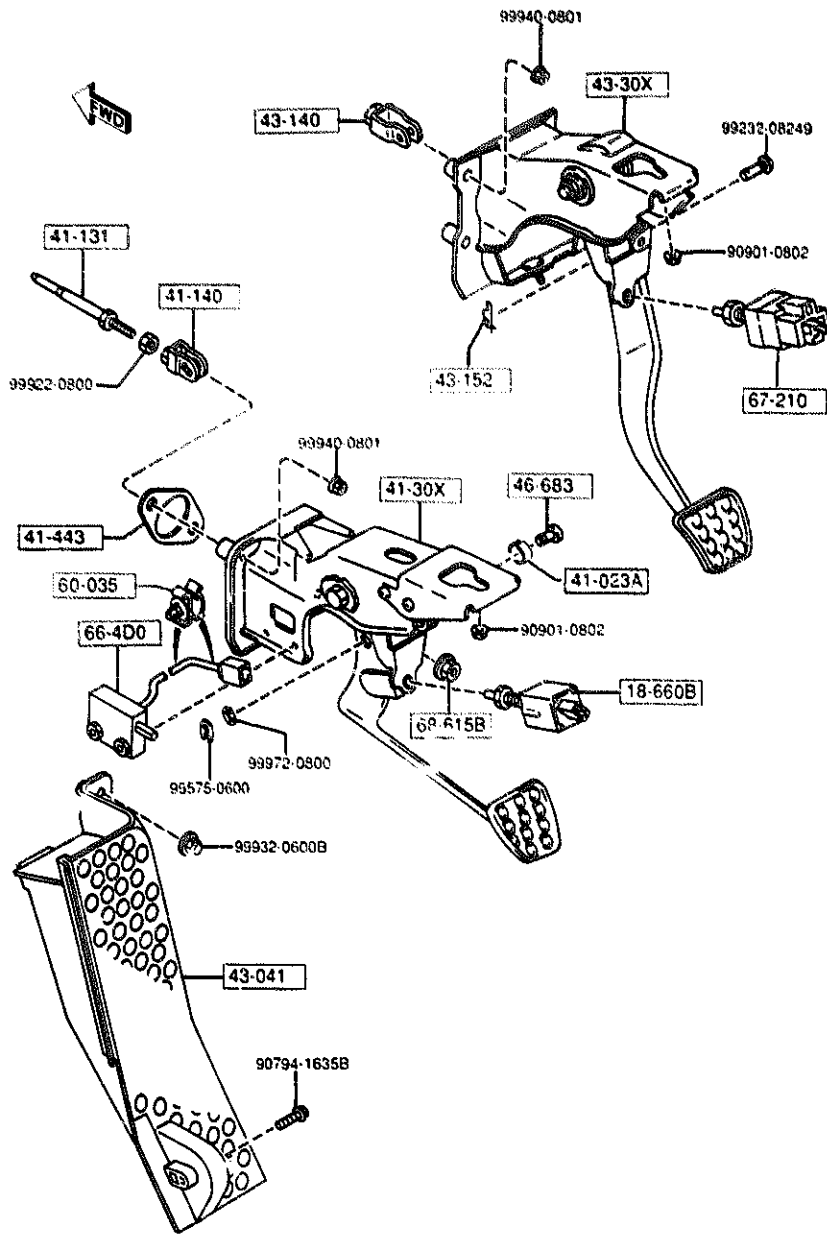


PART NO.	QTY	MODEL/RESTRICTION	MODEL/RESTRICTION	MODEL/RESTRICTION	FROM TO
42-408		STOPPER, FILLER LID			
0187-70-491	2				
42-410		LID, FUEL FILLER			
FD01-42-41X	1				
45-961B		CAP			
H002-45-961	2				
56-782		BRACKET, STOPPER			
FD01-56-83XA A (FD01-56-83XB)	1				-1C17
FD01-56-83XB A (FD01-56-83XC)	1				1C17-2101
FD01-56-83XC	1				2101-
56-860A		LEVER, OPENER			
FD01-56-860B AN (FD01-56-860C)	1				-2402
FD01-56-860C	1				2402-
62-352		CABLE, OPENER			
FD01-56-870A	1				

1C17 FDS\*\*\*-200099  
 2101 FDS\*\*\*-200251  
 2402 FDS\*\*\*-204376

4300 CLUTCH & BRAKE PEDALS (MANUAL TRANSMISSION)

4300 -1 CLUTCH & BRAKE PEDALS (MANUAL TRANSMISSION)



PART NO.	QTY	MODEL/RESTRICTION	MODEL/RESTRICTION	MODEL/RESTRICTION	FROM TL
18-660B		SWITCH, CLUTCH			
LA01-66-490A	1				
41-023A		BUSH			
0727-41-023	1				
41-131		ROD, PUSH			
0727-41-131	1				
41-140		FORK, CLUTCH			
0309-41-140	1				
41-30X		PEDAL, CLUTCH			
FD01-41-30XA	1				
41-443		GASKET			
HC01-41-443	1				
43-041		REST, FOOT			
FD01-43-041	1				
43-140		FORK, BRAKE			
HE01-43-140	1				
43-152		PIN, SNAP			
D001-43-152	1				
43-30X		PEDAL, BRAKE			
FD01-43-30X A (FD02-43-30XA)	1				-2201
FD01-43-30XA	1				2201-
46-683		PIN			
0187-46-683	1				
60-035		CLIP, C.S.D. WIRE			
W201-60-035	2				
66-4D0		SWITCH, CLUTCH CUT			
HF05-66-4D0	1				
2201 FDSMM-201428					

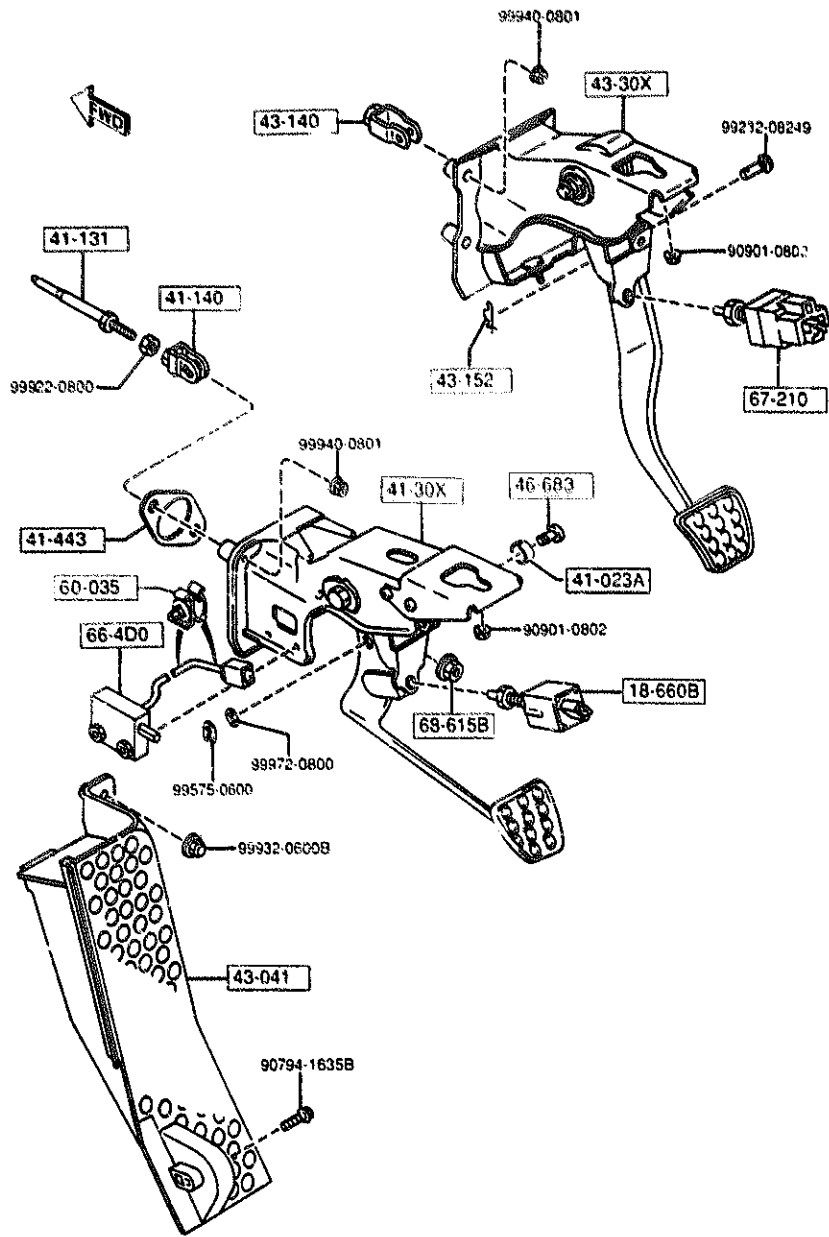
AUFA04

CAT. AUFA04-06

1994-09

4300 -2 M CLUTCH & BRAKE PEDALS (MANUAL TRANSMISSION)

4300 CLUTCH & BRAKE PEDALS (MANUAL TRANSMISSION)



PART NO.	QTY	MODEL/RESTRICTION	MODEL/RESTRICTION	MODEL/RESTRICTION	FROM TO
67-210 BR70-66-490A	1	SWITCH, STOP-LAMP			
68-615B 8100-68-615	1	NUT, FLANGE-CAP			

AUFA04

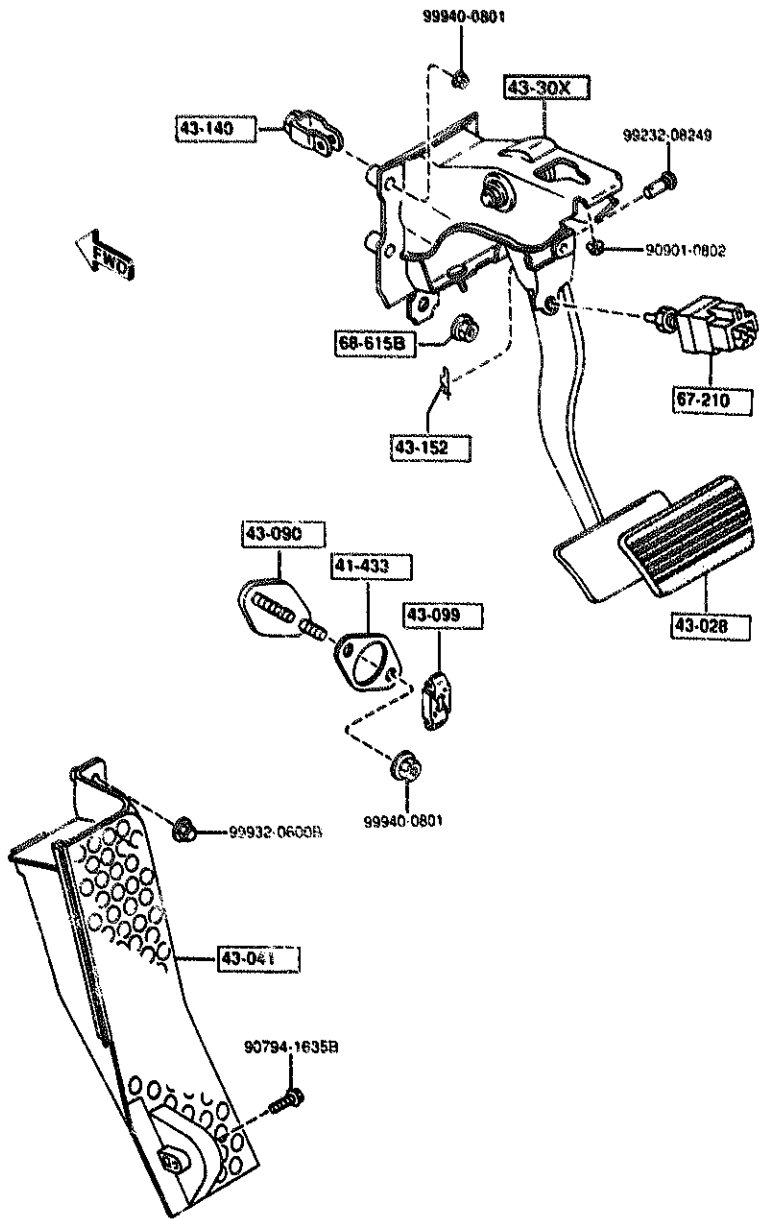
CAT. AUFA04-06

1994-09

2-57

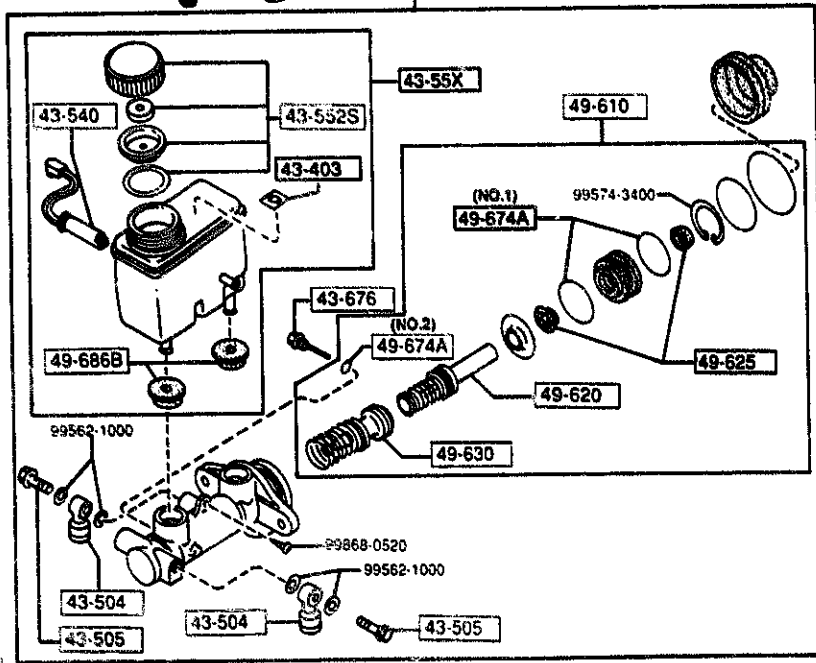
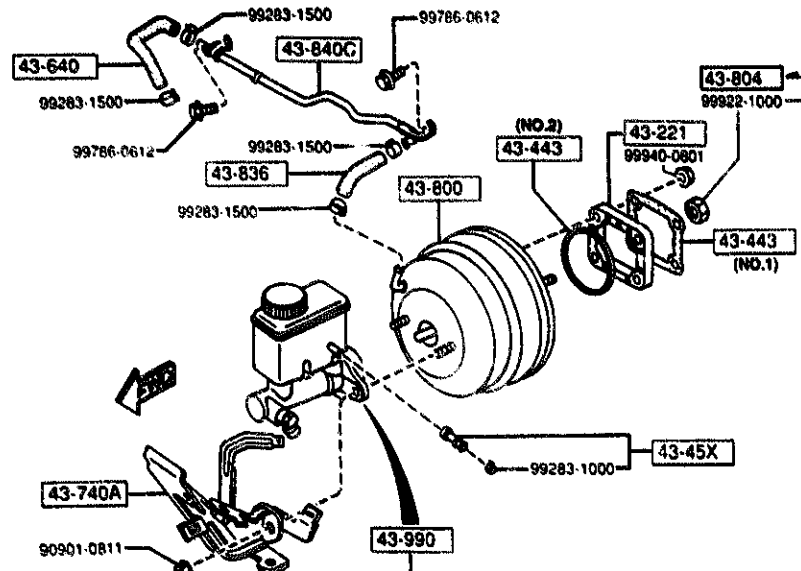
4300A -1 M BRAKE PEDALS (AUTOMATIC TRANSMISSION)

4300A BRAKE PEDALS (AUTOMATIC TRANSMISSION)



PART NO.	QTY	MODEL/RESTRICTION	MODEL/RESTRICTION	MODEL/RESTRICTION	FROM-TO
41-443		GASKET			
H001-41-443	1				
43-028		PAD, PEDAL			
H261-43-028	1				
43-041		REST. FOOT			
F001-43-041	1				
43-090		PLATE			
HF23-43-090A	1				
43-099		HOLDER, PLATE			
HF23-43-099	1				
43-140		FORK, BRAKE			
HE01-43-140	1				
43-152		PIN, SNAP			
D001-43-152	1				
43-30X		PEDAL, BRAKE			
F002-43-30X A (F002-43-30XA)	1				
F002-43-30XA	1				-2201
67-210		SWITCH, STOP-LAMP			
BR70-66-490A	1				2201-
68-615B		NUT, FLANGE-CAP			
B100-68-615	1				
2201 F03***-201428					

4340 BRAKE MASTER CYLINDER & POWER BRAKE



PART NO.	QTY	MODEL/RESTRICTION	MODEL/RESTRICTION	MODEL/RESTRICTION	FROM-TO
43-221		SPACER			
FD01-43-221A	1				
43-403		LABEL, ISO			
MTA04-43-403A	1				
43-443		GASKET, VAC POWER AS SIST NON ASBESTOS (ILLUST. NO.1)			
HD01-43-443	1				
FD01-43-443 AN(FD01-43-443A)	1	NON ASBESTOS (ILLUST. NO.2)			-2301
FD01-43-443A	1	(ILLUST. NO.2)			2301-
43-45X		PROTECTOR			
B603-43-45XA	1	(AT)			
43-504		JOINT, PIPE			
W023-43-504	2				
43-505		BOLT, CONNECTOR			
W023-43-505	2				
43-540		INDICATOR, LEVEL			
FD04-43-540A	1				
43-55X		SET, TANK			
MFDY1-43-55X	1				
43-552S		CAP SET, RESERVE TANK			
B603-49-580	1				
43-640		HOSE, VACUUM			
FD01-43-640B	1				
43-676		BOLT SET			
M381-43-676	1				
43-740A		BRACKET, CABLE			
FD01-43-740A A (FD01-43-740B)	1				-2201
FD01-43-740B	1				2201-
2201 FD3MMN-201428 2301 FD3MMN-202873					

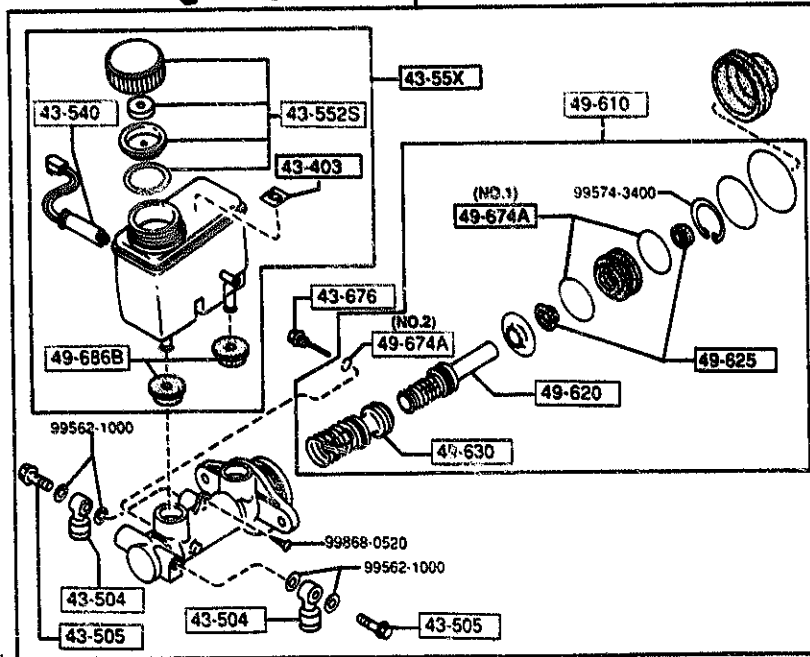
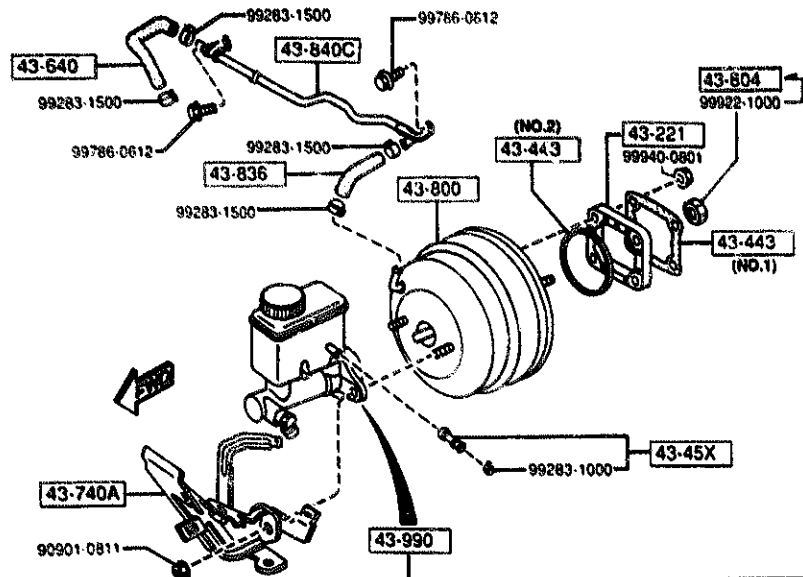
AUFA04

CAT. AUFA04-06

1996-09

4340 BRAKE MASTER CYLINDER & POWER BRAKE

4340 -2 M BRAKE MASTER CYLINDER & POWER BRAKE



PART NO.	QTY	MODEL/RESTRICTION	MODEL/RESTRICTION	MODEL/RESTRICTION	FROM-TO
43-800		VACUUM POWER ASSIST			
F004-43-800B	1				
43-804		NUT			
B01C-43-994	1				3601-
43-836		HOSE, VACUUM			
F001-43-836B	1				
43-840C		PIPE, VACUUM			
F001-43-840B	1				
43-990		CYL., TANDEM MASTER			
MFDY1-43-402B	1				
49-610		PARTS KIT, INN.-BRAKE			
B6Y4-43-41Z	1				
49-620		PISTON, PRIMARY			
B533-43-622	1				
49-625		CUP, SECONDARY			
NA23-43-625	2				
49-630		PISTON, FLOATING			
B604-43-63Z	1				
49-674A		RING, 'O'-MASTER CYL.			
NA23-43-515	2	SHINEI KOGYO (ILLUST. NO.1)			
99541-00603	1	NOK (ILLUST. NO.2)			
49-686B		BUSH, ELBOW JOINT			
F004-49-686	2				-2C01
F100-49-686	2				2C01-

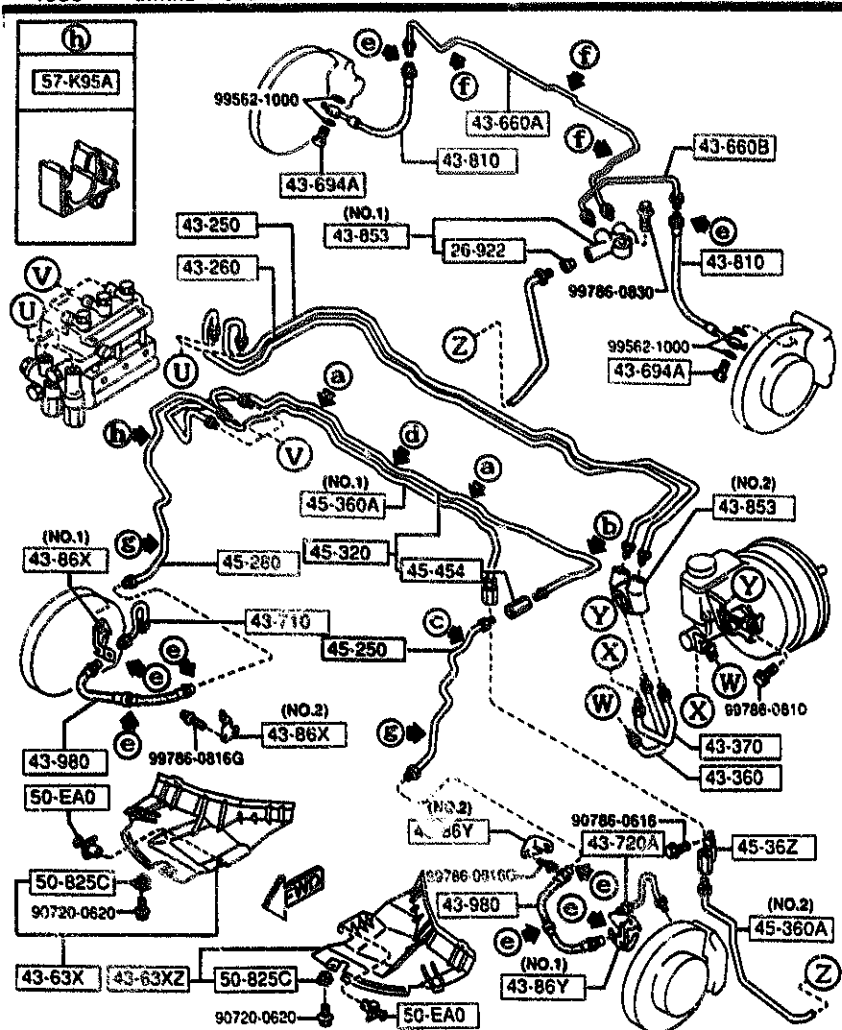
2C01 FDSNNN-210514  
3601 FDSNNN-210664

AUFA04

CAT. AUFA04-06

1994-09

4360 BRAKE PIPINGS



a	b	c	d	e	f	g
45-920	45-921A	45-903G	45-984	43-635	45-919	45-914

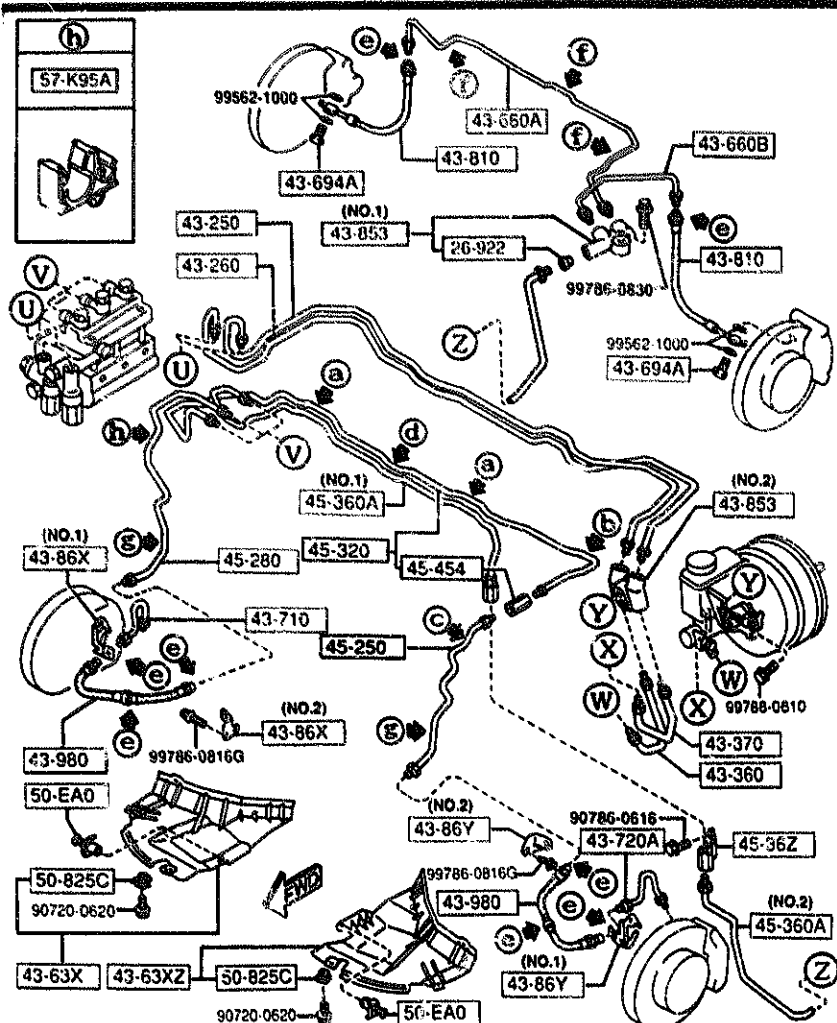
PART NO.	QTY	MODEL/RESTRICTION	MODEL/RESTRICTION	MODEL/RESTRICTION	FROM TO
26-922		SHEET, TUBE			
0613-26-922	1				
43-250		PIPE NO.1, BRAKE-A.B.			
FD04-43-250C A (FD04-43-250E)	1				-1C21
FD04-43-250E A (FD04-43-250F)	1				1C21-2501
FD04-43-250F	1				2501-
43-260		PIPE NO.2, BRAKE-A.B.			
FD04-43-260C	1				
43-360		PIPE, BRAKE			
FD04-43-360B	1				
43-370		PIPE, BRAKE			
FD04-43-370B	1				
43-63X		DUCT(R), AIR-BRAKE PIPE			
FD01-43-63XC A (FD01-43-63XE)	1				-2401
FD03-43-63XC A (FD03-43-63XE)	1				-2401
FD01-43-63XE	1	(NOR. SUSP)			2401-
FD03-43-63XE	1	(HARD SUSP)			2401-
43-63XZ		DUCT(L), AIR-BRAKE PIPE			
FD01-43-64XC A (FD01-43-64XD)	1				-2401
FD03-43-64XC A (FD03-43-64XD)	1				-2401
FD01-43-64XD	1	(NOR. SUSP)			2401-
FD03-43-64XD	1	(HARD SUSP)			2401-
43-635		CLIP, FLEXIBLE HOSE			
W027-43-635	8				
43-660A		PIPE(R), BRAKE-REAR			
FD01-43-670B	1				

1C21 FD3MM-200106  
2401 FD3MM-204313  
2501 FD3MM-205709





4360 BRAKE PIPINGS



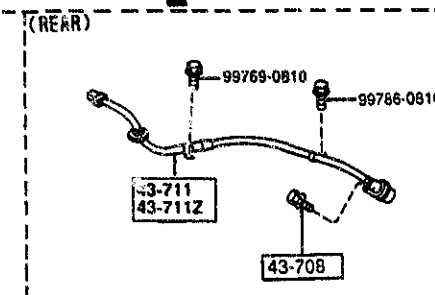
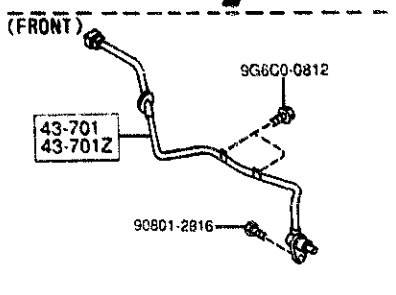
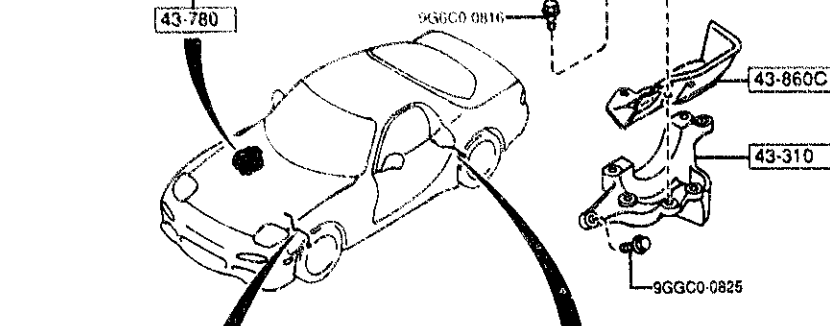
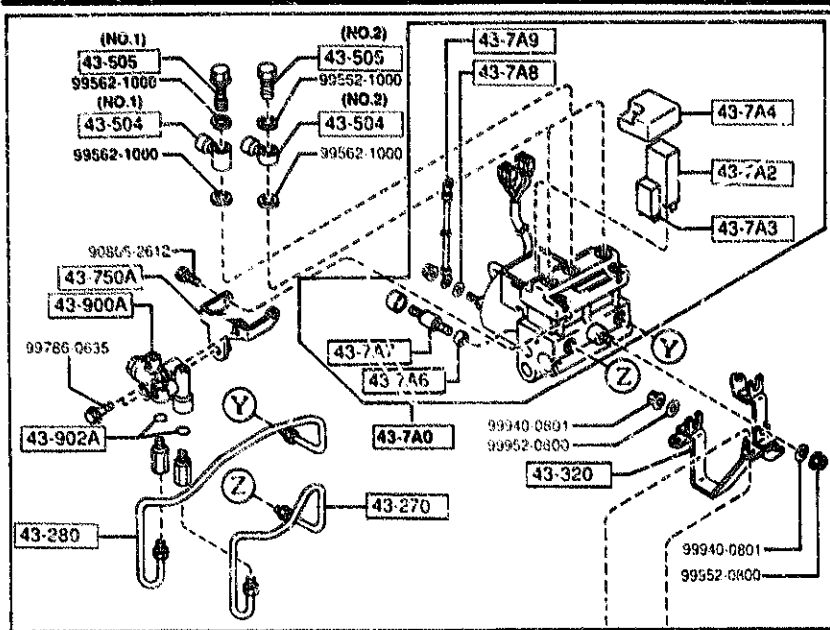
(a)	(b)	(c)	(d)	(e)	(f)	(g)
45-920	45-921A	45-903G	45-964	43-635	45-919	45-914

PART NO.	QTY	MODEL/RESTRICTION	MODEL/RESTRICTION	MODEL/RESTRICTION	FROM TO
45-320		PIPE(L), BRAKE-FRONT			
FD01-45-322C	1				-2501
FD01-45-320D	1				2501-
45-362		JOINT, FUEL PIPE			
FD01-45-36Z	1				-2303
AN(FD01-45-36ZA)					
FD01-45-36ZA	1				2303-
45-360A		PIPE, BRAKE-REAR			
FD01-45-36XA	1	(ILLUST. NO.1)			
FD01-45-360B	1	(ILLUST. NO.2)			
45-454		JOINT, PIPE			
D001-45-367	1				
45-903G		CLIP, PIPE			
B455-45-916	1				
45-914		HOLDER, PIPE			
FB01-45-914	2	NIFUKO			
45-919		CLIP, PIPE			
B001-45-919B	3				
45-920		BRACKET			
NA20-45-920A	2				-2121
A (NA20-45-920B)					
NA20-45-920B	2				2121-
45-921A		HOLDER, PIPE			
F100-45-92X	1				
45-964		HOLDER, PIPE-FRT BRAK E(L)			
F048-45-964A	1				-2401
AN(F048-45-964B)					
F048-45-964B	1				2401-
50-EA0		FASTENER			
EA01-50-EA0	2				

2121 FD3MNN-200909  
 2303 FD3MNN-202943  
 2401 FD3MNN-204313  
 2501 FD3MNN-205709

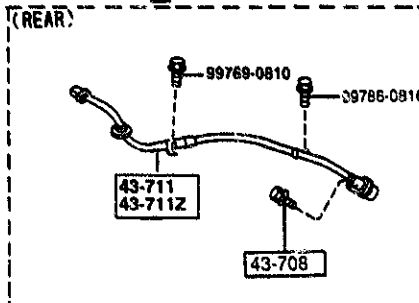
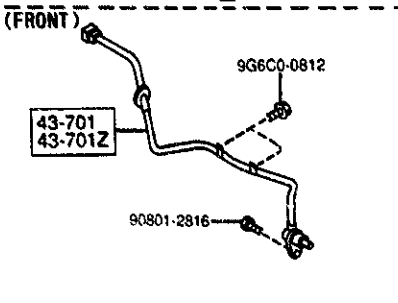
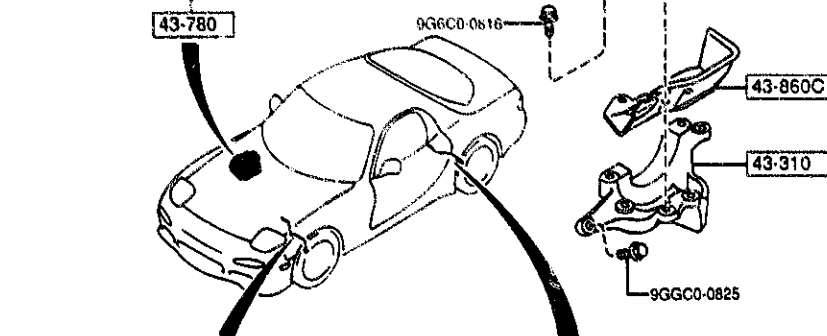
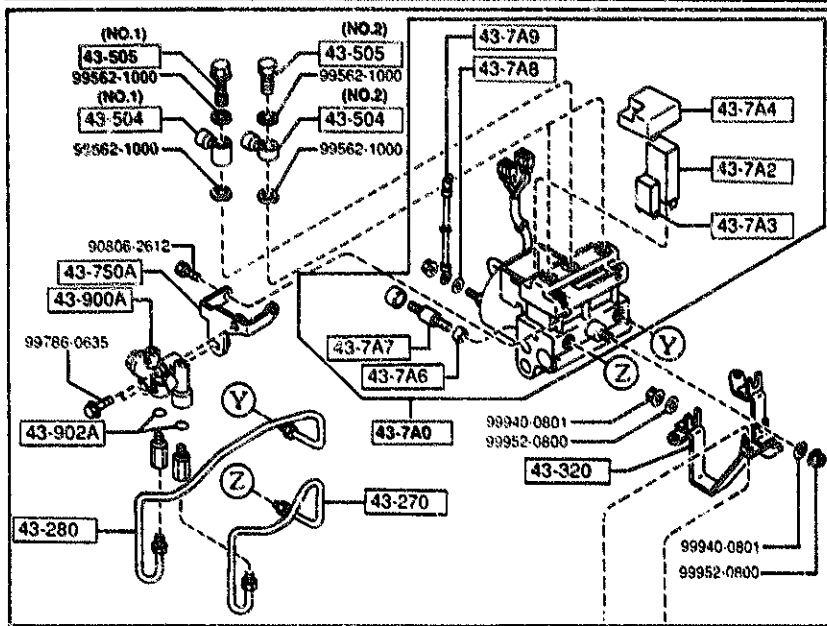


4370 ANTILOCK BRAKE SYSTEM



PART NO.	QTY	MODEL/RESTRICTION	MODEL RESTRICTION	MODEL/RESTRICTION	FROM TO
43-270		PIPE NO.3, BRAKE-A. B.			
FD04-43-270 A (FD04-43-270A)	1				-2101
FD04-43-270A A (FD04-43-270B)	1				2101-2312
FD04-43-270B	1				2312-
43-280		PIPE NO.4, BRAKE-A. B.			
FD04-43-280B A (FD04-43-280C)	1				-2101
FD04-43-280C A (FD04-43-280D)	1				2101-2304
FD04-43-280D	1				2304-
43-310		BRACKET NO 1, A. B. S.			
FD04-43-311B	1				
43-320		BRACKET NO 2, A. B. S.			
FD04-43-320C A (FD04-43-320D)	1				-2101
FD04-43-320D	1				2101-
43-504		JOINT, PIPE			
FD04-43-504	1	(ILLUST. NO.1)			
W023-43-504	2	(ILLUST. NO.2)			
43-505		BOLT, CONNECTOR			
FD04-43-505	1	(ILLUST. NO.1)			
W023-43-505	2	(ILLUST. NO.2)			
43-7A0		HYDRAULIC UNIT, A B S			
FD04-43-7A0C A (FD04-43-7A0D)	1				-2101
FD04-43-7A0D	1				2101-
43-7A2		RELAY, MOTOR-HYD. UNI T			
NA23-43-7A2	1				
43-7A3		RELAY, VALVE-HYD. UNI T			
NA23-43-7A3	1				
2101 FDSMM-200251 2304 FDSMM-203003 2312 FDSMM-203467					

4370 ANTILOCK BRAKE SYSTEM



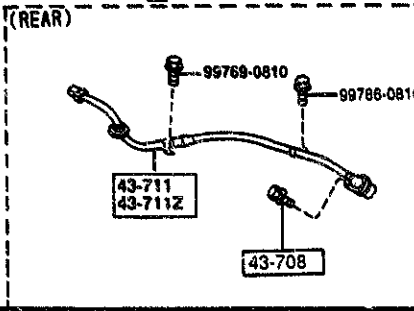
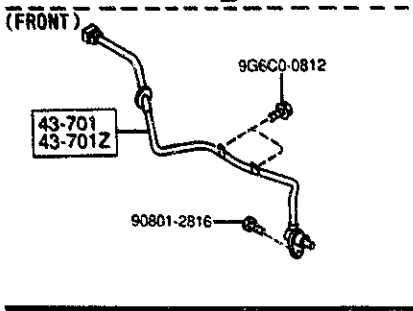
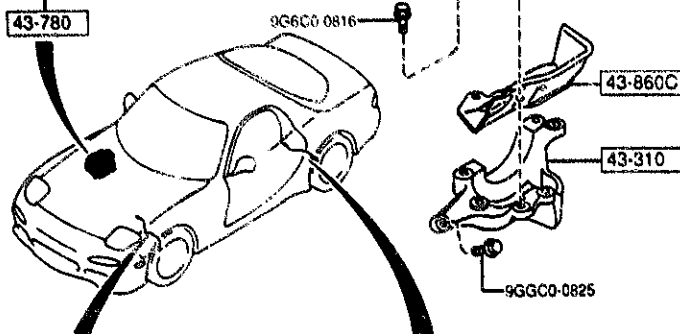
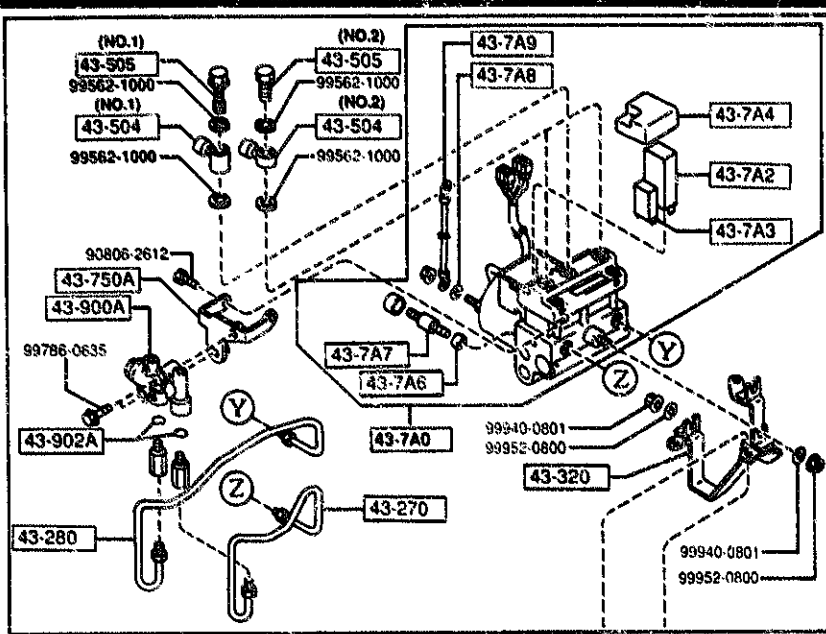
PART NO.	QTY	MODEL/RESTRICTION	MODEL/RESTRICTION	MODEL/RESTRICTION	FROM TO
43-7A4	1	COVER'L',HYDRAULIC UNIT			
NA23-43-7A4					
43-7A6	1	RUBBER,MOUNT-HYD. UNIT			
NA23-43-7A6					
43-7A7	1	STUD,HEX-HYD. UNIT			
NA23-43-7A7					
43-7A8	1	WASHER,HYD. UNIT			
NA23-43-7A8					
43-7A9	1	WIRE,EARTH-HYD. UNIT			
FD04-43-7A9	1				-2101
A (FD04-43-7A9A)					
FD04-43-7A9A	1				2101-
43-701	1	SENSOR(R),FRT-A.B.S.			
FD05-43-70XB					
43-701Z	1	SENSOR(L),FRT-A.B.S.			
FD05-43-73XC					
43-708	2	BOLT,REAR SENSOR			
F051-43-708A					
43-711	1	SENSOR(R),RR A.B.S.			
FD04-43-71YC					
43-711Z	1	SENSOR(L),RR-A.B.S.			
FD04-43-72YC					
43-750A	1	HOLDER,P.E.VALVE			
FD01-43-750A	1				-2101
A (FD01-43-750B)					
FD01-43-750B	1				2101-2501
A (FD01-43-750C)					
FD01-43-750C	1				2501-
43-780	1	ANTILOCK BRAKE			
FD04-43-780E	1				-2101
A (FD04-43-780F)					
2101 FD3MM-200251					
2501 FD3MM-205709					

AUFA04

CAT. AUFA04-06

1994-09

4370 ANTILOCK BRAKE SYSTEM

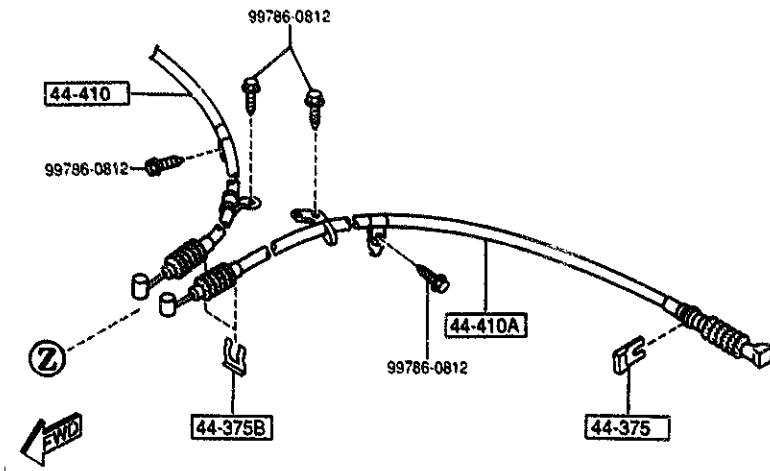
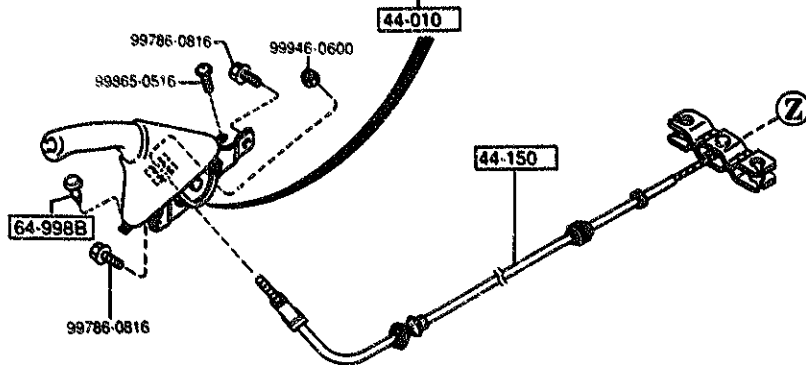
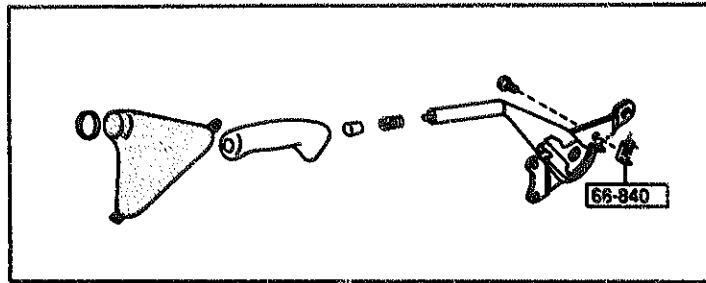


PART NO.	QTY	MODEL/RESTRICTION	MODEL/RESTRICTION	MODEL/RESTRICTION	FROM TO
CONT'D FD04-43-780F	1				2101-
43-860C		INSULATOR, MASTER VAC			-2201
FD01-43-860B A (FD01-43-860D)	1				2201-2306
FD01-43-860D A (FD01-43-860E)	1				2306-
FD01-43-860E	1				
43-900A		VALVE, P. B.			
FD04-43-970	1				
43-902A		RING 'O'			
NA17-43-902	2				

2101	FD3MM-200251
2201	FD3MM-201428
2306	FD3MM-203123

4400 PARKING BRAKE SYSTEM

4400 -1 M PARKING BRAKE SYSTEM



PART NO.	QTY	MODEL/RESTRICTION	MODEL/RESTRICTION	MODEL/RESTRICTION	FROM-TO
44-010		LEVER, PARKING BRAKE			
FD01-44-010C A (FD01-44-010G)	1				-2601
FD01-44-010G	1				2601-
44-150		CABLE, PARKING-FRT			
FD01-44-150	1				
44-375		CLIP, PARKING CABLE			
GA2B-44-375A	2	CHUOHATSUJO			
44-375B		CLIP			
0118-44-375	2				
44-410		CABLE(R), R.-PARK.			
FD01-44-410	1				
44-410A		CABLE(L), R.-PARK.			
FD01-44-420A	1				
64-998B		CLIP			
FD01-64-998	1				
66-840		SWITCH, PARKING LAMP			
FD01-66-450	1				

2601 FD3KMM-207062

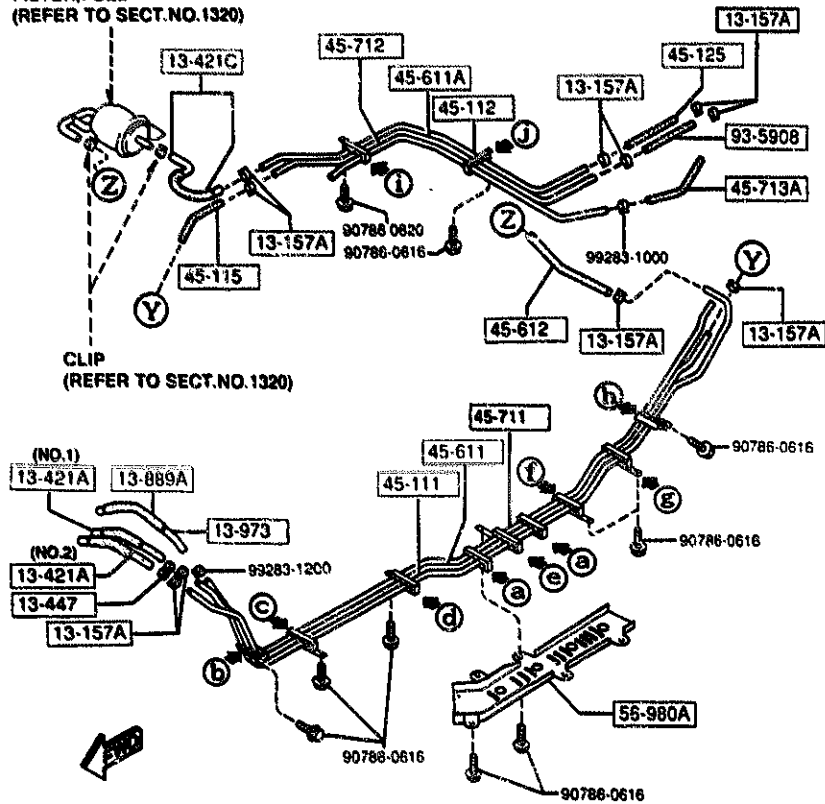
AUFA04

CAT. AUFA04-06

1994-09

4500 FUEL PIPINGS

FILTER, FUEL  
(REFER TO SECT. NO. 1320)



CLIP  
(REFER TO SECT. NO. 1320)

(NO. 1)

(NO. 2)

(a)	(b)	(c)	(d)	(e)	(f)
45-911C	45-91CE	45-920A	45-930	45-940	45-91X
(g)	(h)	(i)	(j)		
45-960A	45-990	45-970	45-963		

PART NO.	QTY	MODEL/RESTRICTION	MODEL/RESTRICTION	MODEL/RESTRICTION	FROM-TO
13-157A		CLIP			
8974-13-157	10				
13-421A		HOSE, FUEL MAIN			
NSA1-13-421	1	(ILLUST. NO. 1)			
NSA2-13-421	1	(ILLUST. NO. 2)			
13-421C		HOSE, FUEL			
NSA1-13-410	1				
13-447		CLIP			
1570-13-447	1				-2B02
13-889A		PROTECTOR			
NSA2-13-889A	1				
13-973		HOSE, DRAIN			
NSA2-13-971A	1				
45-111		PIPE, FUEL-MAIN			
FD01-45-111	1				
45-112		PIPE, FUEL-MAIN			
FD01-45-112	1				
45-115		HOSE, FUEL-MAIN PIPE			
FD01-45-115A	1				-2401
AN(FD01-45-115B)					
FD01-45-115B	1				2401-
45-125		HOSE, FUEL			
99359-0815	1				
45-611		PIPE, FUEL-RETURN			
FD01-45-611A	1				
45-611A		PIPE, FUEL-RETURN			
FD01-45-612	1				
45-612		HOSE, FUEL			
99359-0819	1				
2401 FD3MM-204313					
2B02 FD3MM-210514					

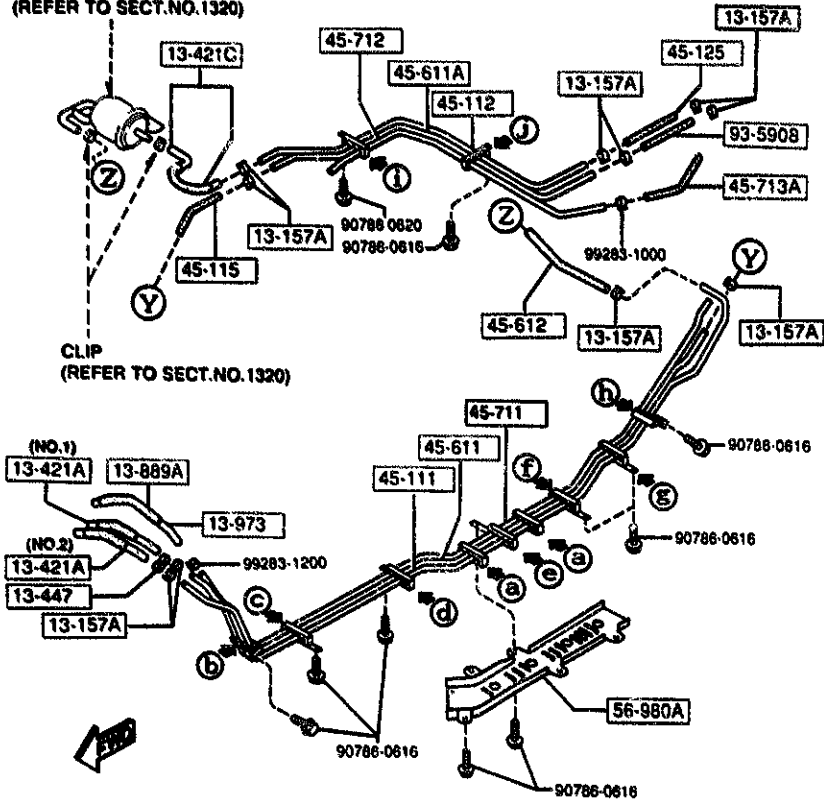




4500 FUEL PIPINGS

4500 -3 M FUEL PIPINGS

FILTER, FUEL  
(REFER TO SECT. NO. 1320)



(a)	(b)	(c)	(d)	(e)	(f)
45-911C	45-910E	45-920A	45-930	45-940	45-91X
(g)	(h)	(i)	(j)		
45-960A	45-990	45-970	45-983		

AUFA04

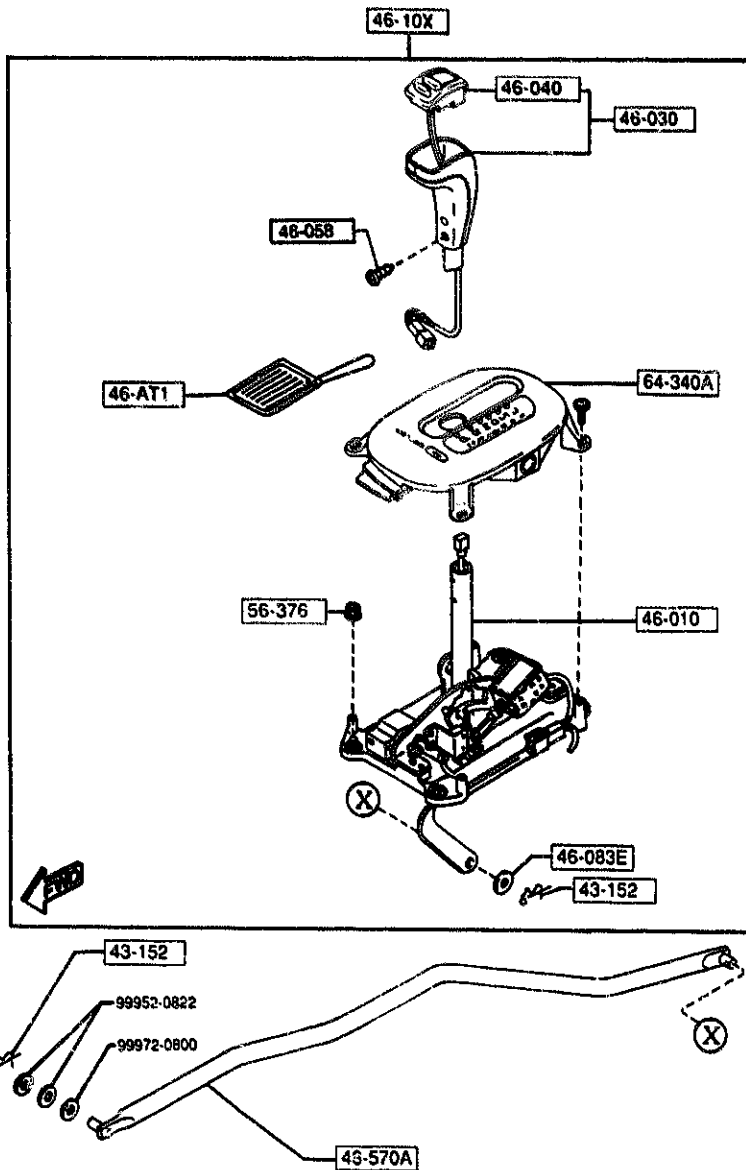
PART NO.	QTY	MODEL/RESTRICTION	MODEL/RESTRICTION	MODEL/RESTRICTION	FROM-TO
93-5908 99359-0815M	1	HOSE			

CAT. AUFA04-06

1994-09

4600 CHANGE CONTROL SYSTEM (AT)

4600 -1 M CHANGE CONTROL SYSTEM (AT)



PART NO.	QTY	MODEL/RESTRICTION	MODEL/RESTRICTION	MODEL/RESTRICTION	FROM-TO
43-152 FB02-43-152A	2	PIN, SNAP			
46-AT1 FD02-46-AT1	1	TAG, CAUTION-CHANGE			
46-010 FD02-46-100B A (FD02-46-100C)	1	LEVER, SELECT			-2206
46-030 FD02-46-030	1	KNOB, CHANGE LEVER			2206-
46-040 FC07-46-040A	1	SWITCH, OVER DRIVE CONTROL			
46-058 FD02-46-058	2	SCREW, CHANGE LEVER KNOB			
46-083E J001-46-051	1	WASHER			
46-10X FD02-46-10XD A (FD02-46-10XE)	1	CHANGE COMPLETE			-2206
46-570A FD02-46-570A	1	ROD, SELECTOR-REAR			2206-
56-376 B001-56-376	4	NUT, SELF LOCK			
64-340A FD02-64-350D	1	INDICATOR			
2206 FD3XXX-201662					

AUFA04

CAT. AUFA04-06

1994-09