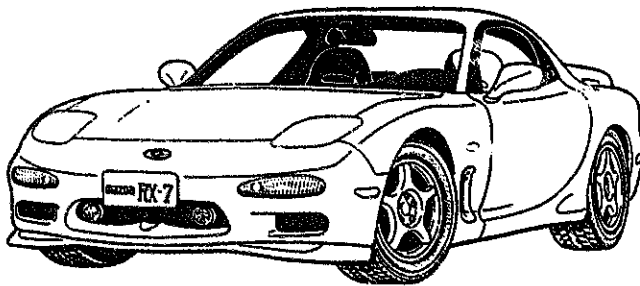


# Parts Catalog

Mazda RX-7  
U.S.A.  
(94)



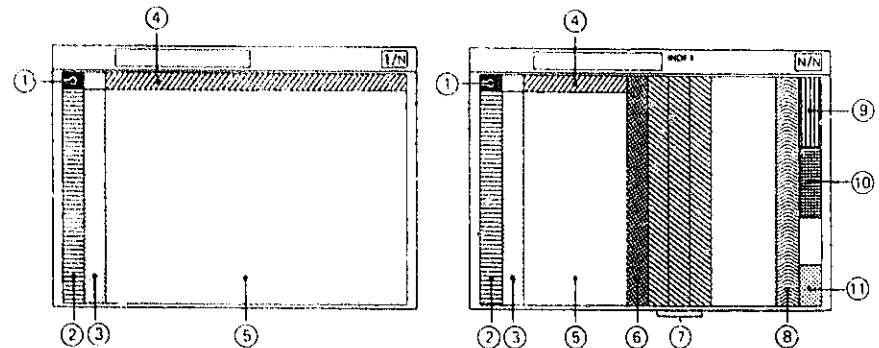
FD333 • 30001-31000

Apr. '95 (FINAL)  
Catalog No. AU-FA05-03

**mazda**  
© 1995 Mazda Motor Corporation

## LAYOUT OF CONTENTS / DISPOSITION TYPOGRAPHIQUE DE CONTENU / DISPOSICION DEL CONTENIDO / ANORDNUNG DES INHALTS

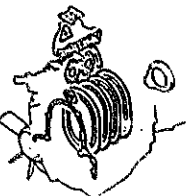
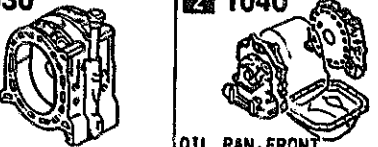
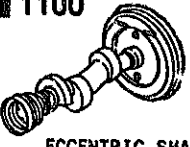

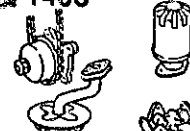
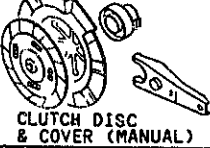
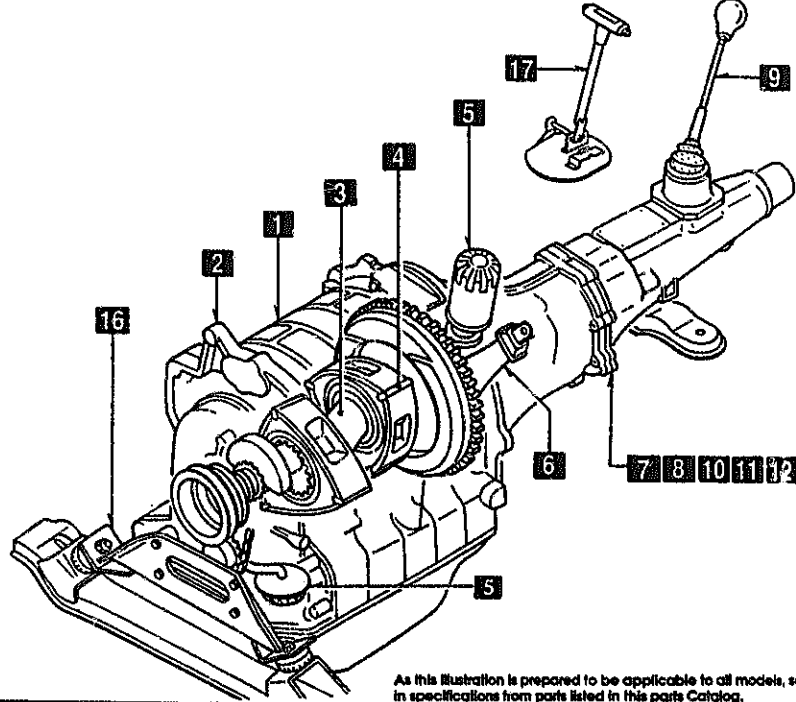
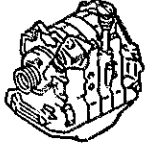
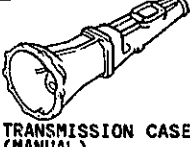
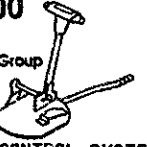
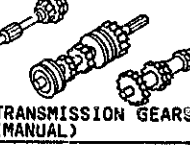

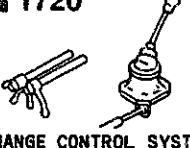
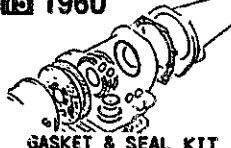


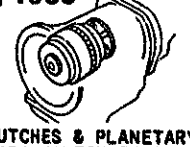

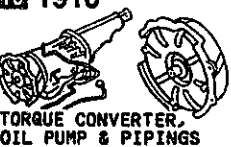
- The following is a typical example of the layout of contents on Mazda microfiche parts catalog
- Voici un exemple typique de la disposition typographique de contenu dans les microfiches de catalogue des pièces de Mazda.
- El siguiente es un ejemplo típico de la disposición del contenido en una microficha del catálogo de repuestos de Mazda.
- Folgendes ist ein typisches Beispiel der Inhaltsanordnung des Mazda-Mikrofiche Teilekatalogs.








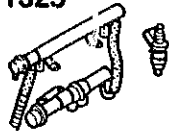
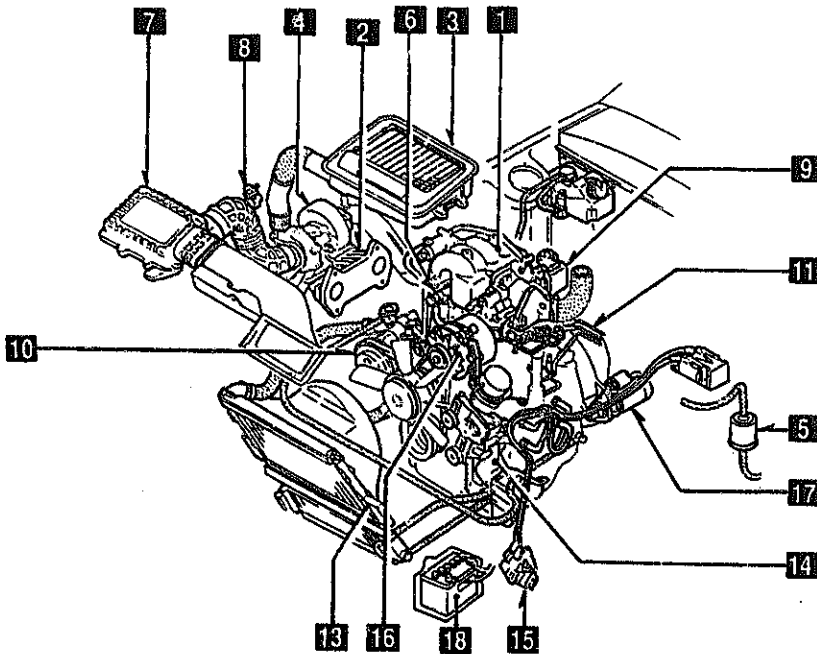
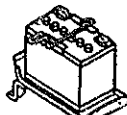
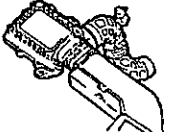


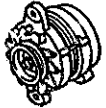
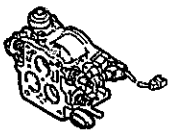
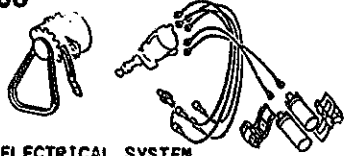
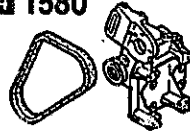
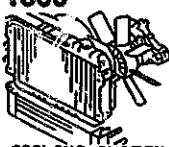
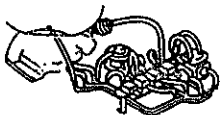
Remark: The items listed under ④ have been deleted from each fiche since Dec. '93

- |  |   |   |
|--|---|---|
| ① • Layout of contents<br>• Disposition Typographique de Contenu<br>• Disposición del contenido<br>• Anordnung des Inhalts   | ② • Pictorial Index<br>• Index par Schémas<br>• Índice Gráfico<br>• Illustrierter Index                           | ③ • Master Section No. Index<br>• Index des Numéros des Sections Totale<br>• Índice del Número de la Sección Maestra<br>• Hauptabschnittsnummer-Index       |
| <del>④ • Section No. Index for the Column<br/>• Index des Numéros des Sections pour les Colonnes<br/>• N° de la Sección para el Índice<br/>• Abschnittsnummer-Index für die Spalte</del> | ⑤ • Illustration & Text<br>• Illustrations et Textes<br>• Ilustración y Texto<br>• Abbildung und Text             | ⑥ • Part No. Index<br>• Index des Numéros des Pièces<br>• Índice del N° de Pieza<br>• Teile-Nr.-Index   |
| ⑦ • Alphabetical Index<br>• Index Alphabétique<br>• Índice Alfabético<br>• Alphabetischer Index  | ⑧ • Model Identification<br>• Identification des Modèles<br>• Identificación del Modelo<br>• Modell-Kennzeichnung | ⑨ • Vehicle Identification System<br>• Système d'Identification de Véhicule<br>• Sistema de Identificación de Vehículo<br>• Fahrzeug-Identifikations-system |

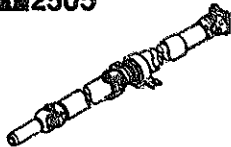
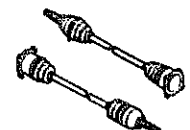


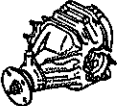

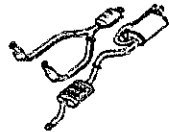

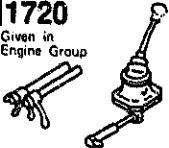
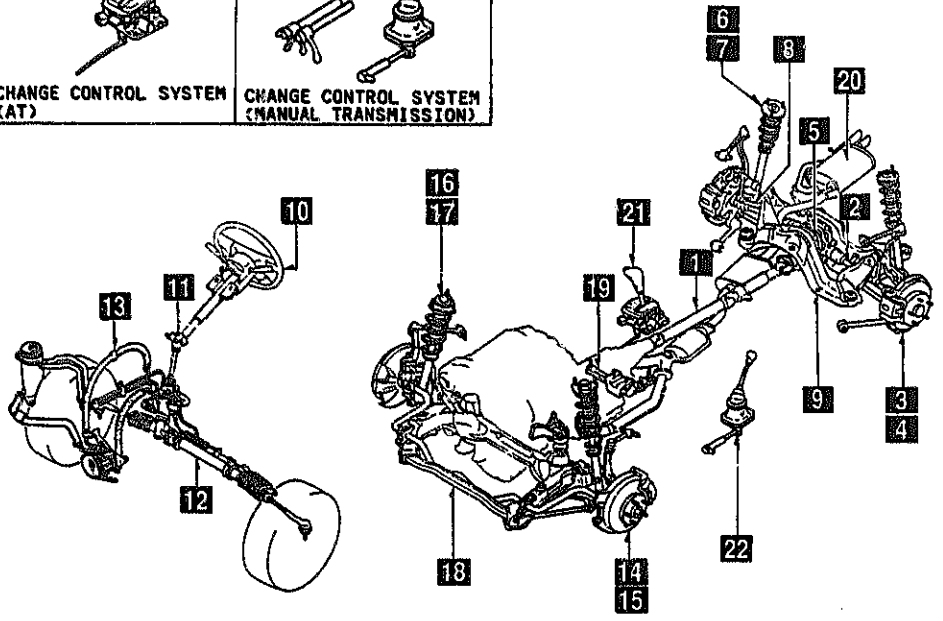

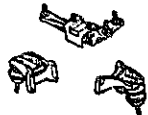

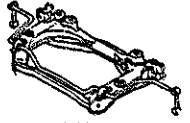

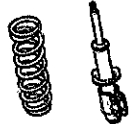




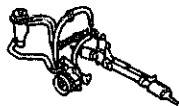


## PICTORIAL INDEX

<p><b>1000</b></p>  <p style="text-align: center;"><b>ROTOR HOUSINGS</b></p>	<p><b>1 1030</b></p>  <p style="text-align: center;"><b>OIL PAN, FRONT &amp; REAR HOUSING</b></p>	<p><b>2 1040</b></p>  <p style="text-align: center;"><b>ECCENTRIC SHAFT &amp; FLYWHEEL</b></p>	<p><b>3 1100</b></p>  <p style="text-align: center;"><b>ROTOR &amp; RELATED PARTS</b></p>	<p><b>4 1110</b></p>  <p style="text-align: center;"><b>OIL PUMP &amp; FILTER</b></p>	<p><b>5 1400</b></p>  <p style="text-align: center;"><b>CLUTCH DISC &amp; COVER (MANUAL)</b></p>
<h3 style="margin: 0;">ENGINE (1/2)</h3> 					
<p><b>ENGINE &amp; GASKET SETS</b></p> 	<p style="font-size: small;">As this illustration is prepared to be applicable to all models, some parts are different in specifications from parts listed in this parts Catalog.</p>				<p><b>6 1600</b></p>  <p style="text-align: center;"><b>TRANSMISSION CASE (MANUAL)</b></p>
<p><b>17 4600</b></p> <p style="font-size: x-small;">Given in Chassis Group</p>  <p style="text-align: center;"><b>CHANGE CONTROL SYSTEM (AT)</b></p>					<p><b>7 1700</b></p>  <p style="text-align: center;"><b>TRANSMISSION GEARS (MANUAL)</b></p>
<p><b>16 3900</b></p> <p style="font-size: x-small;">Given in Chassis Group</p>  <p style="text-align: center;"><b>ENGINE &amp; TRANSMISSION MOUNTINGS</b></p>					<p><b>8 1710</b></p>  <p style="text-align: center;"><b>CHANGE CONTROL SYSTEM (MANUAL)</b></p>
<p><b>15 1960</b></p>  <p style="text-align: center;"><b>GASKET &amp; SEAL KIT (AUTOMATIC)</b></p>	<p><b>14 1950</b></p>  <p style="text-align: center;"><b>MANUAL LINKAGE SYSTEM (AUTOMATIC)</b></p>	<p><b>13 1940</b></p>  <p style="text-align: center;"><b>GOVERNOR, LOW &amp; REVERSE PISTON (AUTOMATIC)</b></p>	<p><b>12 1930</b></p>  <p style="text-align: center;"><b>CLUTCHES &amp; PLANETARY GEARS (AUTOMATIC)</b></p>	<p><b>11 1920 &amp; 1925</b></p>  <p style="text-align: center;"><b>TRANSMISSION CASE &amp; MAIN CONTROL SYSTEM (AUTOMATIC)</b></p>	<p><b>10 1910</b></p>  <p style="text-align: center;"><b>TORQUE CONVERTER, OIL PUMP &amp; PIPINGS (AUTOMATIC)</b></p>

## PICTORIAL INDEX






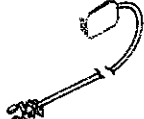
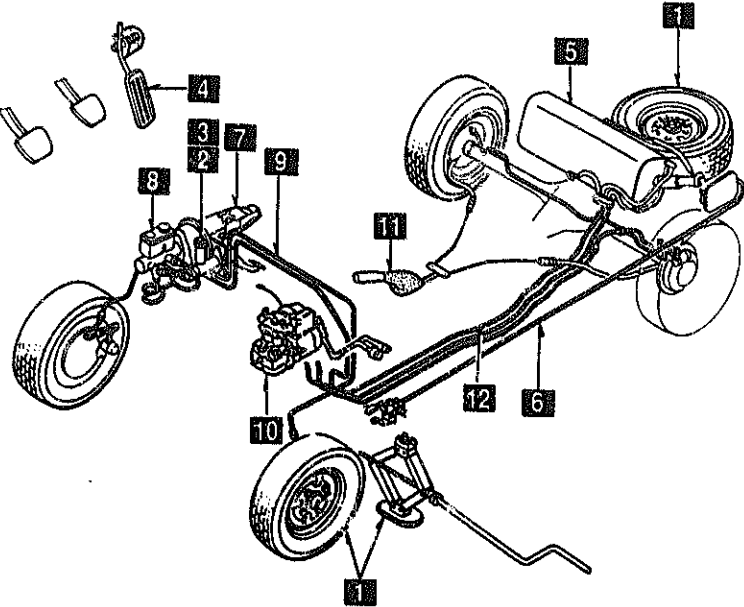
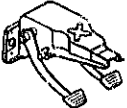
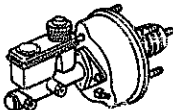

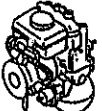


<b>1</b> 1300  INLET MANIFOLD	<b>2</b> 1310  EXHAUST MANIFOLD	<b>3</b> 1311  INTER COOLER	<b>4</b> 1312  TURBO CHARGER	<b>5</b> 1320  FUEL SYSTEM	<b>6</b> 1325  FUEL DISTRIBUTOR
<h3 style="margin: 0;">ENGINE (2/2)</h3> 					
<b>13</b> 1850  BATTERY					<b>7</b> 1330  AIR CLEANER
<b>17</b> 1840  STARTER					<b>8</b> 1313  TWIN TURBO AIR INTAKE SYSTEM
<b>16</b> 1830  ALTERNATOR					<b>9</b> 1364  THROTTLE BODY
As this illustration is prepared to be applicable to all models, some parts are different in specifications from parts listed in this parts Catalog.					
<b>15</b> 1800  ENGINE ELECTRICAL SYSTEM	<b>14</b> 1580  BRACKET, PULLEY & BELT	<b>13</b> 1500  COOLING SYSTEM	<b>12</b>	<b>11</b> 1380  EMISSION CONTROL SYSTEM	

## PICTORIAL INDEX

<p><b>1 2505</b></p>  <p>REAR PROPELLER SHAFT</p>	<p><b>2 2550</b></p>  <p>REAR DRIVE SHAFT</p>	<p><b>3 2600</b></p>  <p>REAR AXLE</p>	<p><b>4 2610</b></p>  <p>REAR BRAKE MECHANISMS</p>	<p><b>5 2710</b></p>  <p>REAR DIFFERENTIALS</p>	<p><b>6 2800</b></p>  <p>REAR SUSPENSION MECHANISMS</p>
<p><b>20 4000</b></p>  <p>EXHAUST SYSTEM</p>	<p><b>21 4600</b></p>  <p>CHANGE CONTROL SYSTEM (AT)</p>	<p><b>22 1720</b> Given in Engine Group</p>  <p>CHANGE CONTROL SYSTEM (MANUAL TRANSMISSION)</p>	<p><b>CHASSIS (1/2)</b></p> 		<p><b>7 2801</b></p>  <p>REAR SPRING &amp; DAMPER</p>
<p><b>19 3900</b></p>  <p>ENGINE &amp; TRANSMISSION MOUNTINGS</p>				<p><b>8 2810</b></p>  <p>REAR STABILIZER</p>	
<p><b>18 3410</b></p>  <p>CROSSMEMBER &amp; STABILIZER</p>				<p><b>9 2830</b></p>  <p>REAR LOWER ARMS &amp; SUB FRAME</p>	
<p><b>17 3401</b></p>  <p>FRONT SPRING &amp; DAMPER</p>				<p><b>10 3200</b></p>  <p>STEERING WHEEL</p>	
<p><b>16 3400</b></p>  <p>FRONT SUSPENSION MECHANISMS</p>	<p><b>15 3310</b></p>  <p>FRONT BRAKE MECHANISMS</p>	<p><b>14 3300</b></p>  <p>FRONT AXLE</p>	<p><b>13 3240</b></p>  <p>POWER STEERING SYSTEM (FRONT)</p>	<p><b>12 3220</b></p>  <p>STEERING GEAR</p>	<p><b>11 3210</b></p>  <p>STEERING COLUMN &amp; SHAFTS</p>


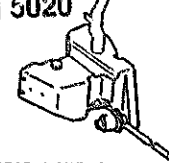

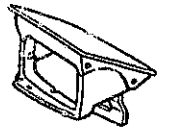
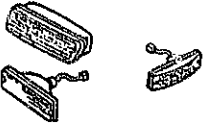
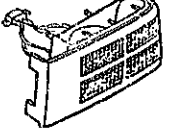

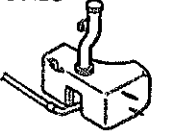
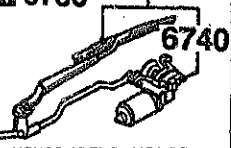
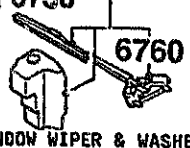
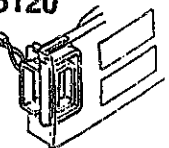

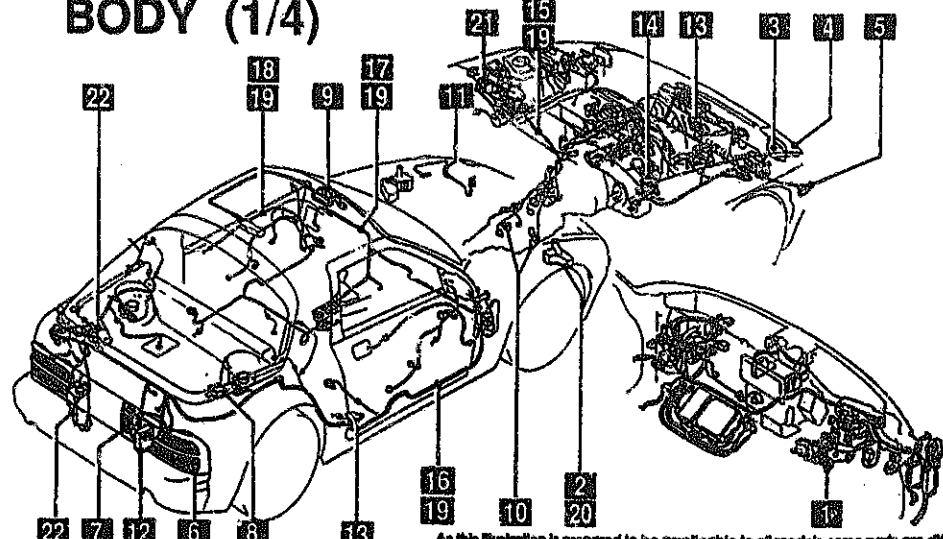


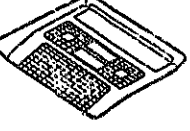







As this illustration is prepared to be applicable to all models, some parts are different in specifications from parts listed in this parts Catalog.

## PICTORIAL INDEX










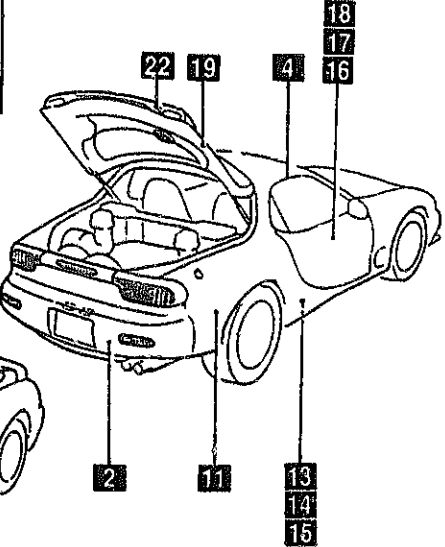
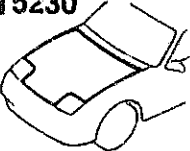

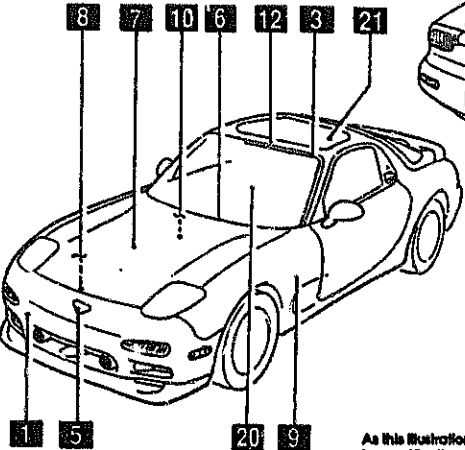
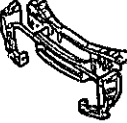

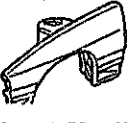

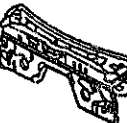







<b>1 3700</b>  TIRES & JACK	<b>2 4140</b>  CLUTCH RELEASE & MASTER CYLINDERS	<b>3 4145</b>  CLUTCH PIPINGS	<b>4 4160</b>  ACCELERATOR CONTROL SYSTEM	<b>5 4200</b>  FUEL TANK	<b>6 4210</b>  FUEL LID OPENER
<h3 style="margin: 0;">CHASSIS (2/2)</h3> 					
					<b>7 4300</b>  CLUTCH & BRAKE PEDALS
					<b>8 4340</b>  BRAKE MASTER CYLINDER & POWER BRAKE
					<b>9 4360</b>  BRAKE PIPINGS
					<b>10 4370</b>  ANTILOCK BRAKE SYSTEM
				<b>12 4500</b>  FUEL PIPINGS	<b>11 4400</b>  PARKING BRAKE SYSTEM

As this illustration is prepared to be applicable to all models, some parts are different in specifications from parts listed in this parts Catalog.

## PICTORIAL INDEX


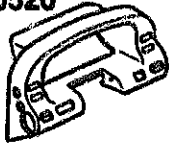

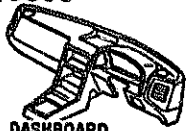
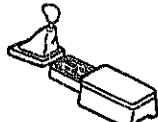




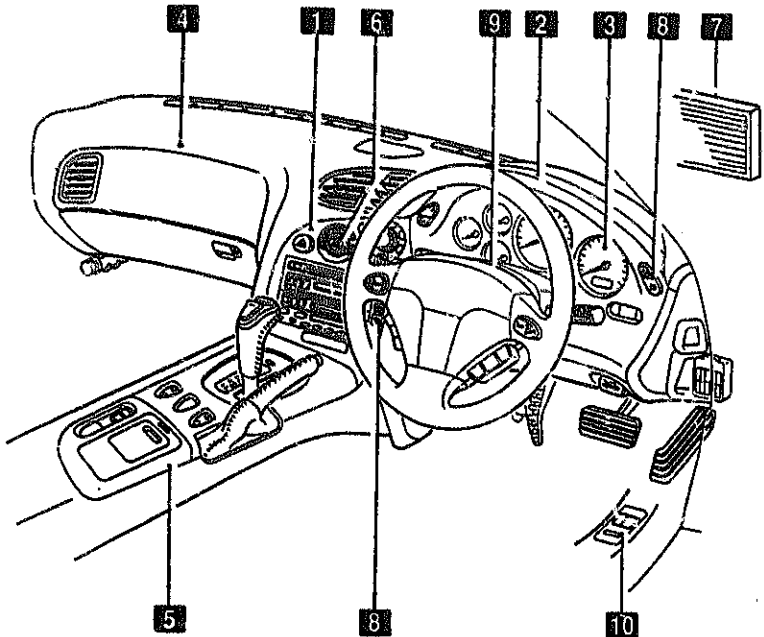







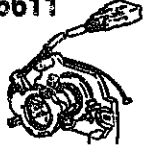
<p><b>1</b> 0900</p>  <p>KEY SETS</p>	<p><b>2</b> 5020</p>  <p>HEAD LAMP CLEANER</p>	<p><b>3</b> 5100</p>  <p>HEAD LAMPS</p>	<p><b>4</b> 5103</p>  <p>HEAD LAMP RETRACTORS</p>	<p><b>5</b> 5105</p>  <p>FRONT COMBINATION LAMPS</p>	<p><b>6</b> 5110</p>  <p>REAR COMBINATION LAMPS</p>
<p><b>19</b> 6704</p>  <p>WIRING HARNESS CLAMPS</p>	<p><b>20</b> 6720</p>  <p>WINDSHIELD WASHER</p>	<p><b>21</b> 6730</p>  <p>WINDSHIELD WIPERS</p>	<p><b>22</b> 6750</p>  <p>WINDOW WIPER &amp; WASHER (REAR)</p>	<p><b>7</b> 5120</p>  <p>LICENSE LAMPS</p>	
<p><b>18</b> 6703</p>  <p>WIRING HARNESSSES (DOOR, FLOOR/CEILING)</p>	<p><b>BODY (1/4)</b></p>  <p style="font-size: small; text-align: center;">As this illustration is prepared to be applicable to all models, some parts are different in specifications from parts listed in this parts Catalog.</p>				<p><b>8</b> 5125</p>  <p>INTERIOR LAMPS</p>
<p><b>17</b> 6702</p>  <p>WIRING HARNESSSES (DASHBOARD)</p>					<p><b>9</b> 5130</p>  <p>OVERHEAD CONSOLE</p>
<p><b>16</b> 6700</p>  <p>WIRING HARNESSSES (FRONT &amp; REAR)</p>					<p><b>10</b> 6600</p>  <p>SWITCHES &amp; RELAYS (ENGINE)</p>
<p><b>15</b> 6701</p>  <p>WIRING HARNESSSES (ENGINE &amp; T/MISSION)</p>	<p><b>14</b> 6640</p>  <p>AUTO CRUISE CONTROL SYSTEM</p>	<p><b>13</b> 6635</p>  <p>DOOR SWITCH &amp; HORNS</p>	<p><b>12</b> 6630</p>  <p>RELAYS &amp; UNIT (BODY)</p>	<p><b>11</b> 5795</p>  <p>AIR BAG</p>	

## PICTORIAL INDEX

<p><b>1</b> 5000</p>  <p style="text-align: center;">FRONT BUMPER</p>	<p><b>2</b> 5010</p>  <p style="text-align: center;">REAR BUMPER</p>	<p><b>3</b> 5030</p>  <p style="text-align: center;">WINDOW MOULDINGS</p>	<p><b>4</b> 5040</p>  <p style="text-align: center;">BODY MOULDINGS</p>	<p><b>5</b> 5170</p>  <p style="text-align: center;">ORNAMENTS</p>	<p><b>6</b> 5180</p>  <p style="text-align: center;">COWL &amp; EXTRACTOR GRILLES</p>
<p><b>20</b> 6300</p>  <p style="text-align: center;">WINDOW GLASSES</p>	<p><b>21</b> 6330</p>  <p style="text-align: center;">SUNROOF</p>	<p><b>22</b> 7800</p>  <p style="text-align: center;">SPOILERS &amp; RELATED PARTS</p>	<p><b>BODY (2/4)</b></p> 		<p><b>7</b> 5230</p>  <p style="text-align: center;">BONNET</p>
<p><b>19</b> 6230</p>  <p style="text-align: center;">LIFT GATE MECHANISMS</p>				<p><b>8</b> 5310</p>  <p style="text-align: center;">FRONT PANELS</p>	
<p><b>18</b> 5840</p>  <p style="text-align: center;">FRONT DOOR TRIMS &amp; RELATED PARTS</p>				<p><b>9</b> 5320</p>  <p style="text-align: center;">FENDER &amp; WHEEL APRON PANELS</p>	
<p><b>17</b> 5830</p>  <p style="text-align: center;">FRONT DOOR MECHANISMS</p>				<p><b>10</b> 5330</p>  <p style="text-align: center;">DASH &amp; COWL PANELS</p>	
<p><b>16</b> 5800</p>  <p style="text-align: center;">FRONT DOORS</p>				<p><b>11</b> 5340</p>  <p style="text-align: center;">SIDE PANELS</p>	
<p><b>15</b> 5390</p>  <p style="text-align: center;">FLOOR ATTACHMENTS</p>	<p><b>14</b> 5380</p>  <p style="text-align: center;">FLOOR ATTACHMENTS (HOLE COVERS)</p>	<p><b>13</b> 5370</p>  <p style="text-align: center;">FLOOR PANELS</p>	<p><b>12</b> 5360</p>  <p style="text-align: center;">ROOF PANELS</p>	<p><b>11</b> 5340</p>  <p style="text-align: center;">SIDE PANELS</p>	

As this illustration is prepared to be applicable to all models, some parts are different in specifications from parts listed in this parts Catalog.

## PICTORIAL INDEX

<b>1</b> 5500  DASHBOARD EQUIPRENTS	<b>2</b> 5520  METER HOOD	<b>3</b> 5540  METER COMPONENTS	<b>4</b> 5560  DASHBOARD & RELATED PARTS	<b>5</b> 5570  CONSOLE	<b>6</b>  6120  6100  6110  6115 HEATER
<h3 style="margin: 0;">BODY (3/4)</h3> 					
As this illustration is prepared to be applicable to all models, some parts are different in specifications from parts listed in this parts Catalog.					
					<b>7</b>  6135  6130  6130  6140  6150 AIR CONDITIONER
					<b>8</b> 6610  6610 DASHBOARD SWITCHES
				<b>10</b> 6615  6615 POWER WINDOW SWITCHES	<b>9</b> 6611  6611 COMBINATION SWITCH





## SECTION NAME INDEX (ENGINE)

LO.NO	SEC.NO	SECTION NAME	LO.NO	SEC.NO	SECTION NAME	LO.NO	SEC.NO	SECTION NAME
1-C03	1000	ENGINE & GASKET SETS	1-F11	1940	GOVERNOR, LOW & REVERSE PISTON (AUTOMATIC)			
1-D03	1030	ROTOR HOUSINGS	1-H11	1950	MANUAL LINKAGE SYSTEM (AUTOMATIC)			
1-G03	1040	OIL PAN, FRONT & REAR HOUSING	1-J11	1960	GASKET & SEAL KIT (AUTOMATIC)			
1-J03	1100	ECCENTRIC SHAFT & FLYWHEEL						
1-N03	1110	ROTORS & RELATED PARTS						
1-C04	1300	INLET MANIFOLD						
1-D04	1310	EXHAUST MANIFOLD						
1-E04	1311	INTER COOLER						
1-F04	1312	TURBO CHARGER						
1-K04	1313	TWIN TURBO AIR INTAKE SYSTEM						
1-J04	1320	FUEL SYSTEM						
1-K04	1325	FUEL DISTRIBUTOR						
1-M04	1330	AIR CLEANER						
1-C05	1364	THROTTLE BODY						
1-E05	1371	AIR PUMP & AIR CONTROL VALVE						
1-G05	1380	EMISSION CONTROL SYSTEM						
1-C06	1400	OIL PUMP & FILTER						
1-F06	1500	COOLING SYSTEM						
1-N06	1580	BRACKET, PULLEY & BELT						
1-C07	1600	CLUTCH DISC & COVER (MANUAL)						
1-E07	1700	TRANSMISSION CASE (MANUAL)						
1-I07	1710	TRANSMISSION GEARS (MANUAL)						
1-C08	1720	CHANGE CONTROL SYSTEM (MANUAL)						
1-E08	1800	ENGINE ELECTRICAL SYSTEM						
1-H08	1830	ALTERNATOR						
1-J08	1840	STARTER (MT)						
1-L08	1840 A	STARTER (AT)						
1-N08	1850	BATTERY						
1-C09	1910	TORQUE CONVERTER, OIL PUMP & PIPINGS (AUTOMATIC)						
1-H09	1920	TRANSMISSION CASE & MAIN CONTROL SYSTEM (AUTOMATIC)						
1-N09	1925	CONTROL VALVE (AUTOMATIC)						
1-J10	1930	CLUTCHES & PLANETARY GEARS (AUTOMATIC)						

## SECTION NAME INDEX (CHASSIS)

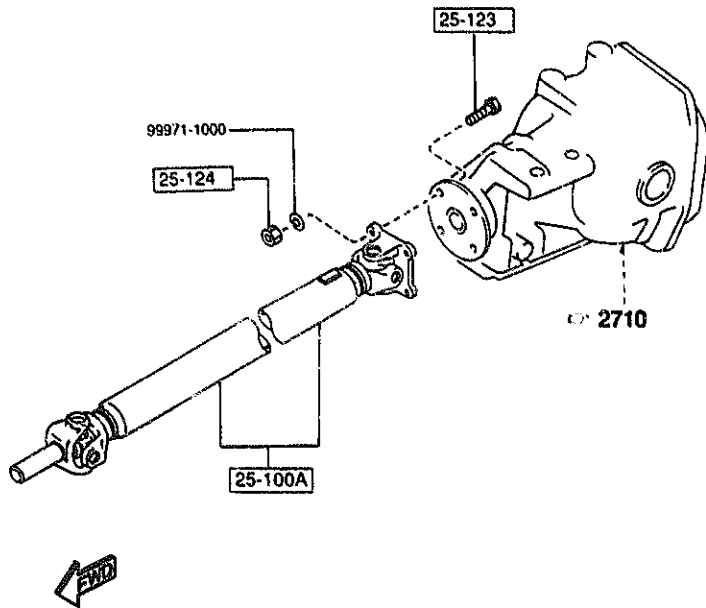
LD.NO	SEC.NO	SECTION NAME	LD.NO	SEC.NO	SECTION NAME	LD.NO	SEC.NO	SECTION NAME
2-C03	2505	REAR PROPELLER SHAFT	2-E08	4600	CHANGE CONTROL SYSTEM (AT)			
2-D03	2550	REAR DRIVE SHAFT						
2-E03	2600	REAR AXLE						
2-G03	2610	REAR BRAKE MECHANISMS						
2-J03	2710	REAR DIFFERENTIALS						
2-N03	2800	REAR SUSPENSION MECHANISMS						
2-C04	2801	REAR SPRING & DAMPER						
2-D04	2810	REAR STABILIZER						
2-E04	2830	REAR LOWER ARMS & SUB FRAME						
2-H04	3200	STEERING WHEEL						
2-I04	3210	STEERING COLUMN & SHAFTS						
2-J04	3220	STEERING GEAR						
2-L04	3240	POWER STEERING SYSTEM						
2-M04	3300	FRONT AXLE						
2-N04	3310	FRONT BRAKE MECHANISMS						
2-C05	3400	FRONT SUSPENSION MECHANISMS						
2-E05	3401	FRONT SPRING & DAMPER						
2-F05	3410	CROSSMEMBER & STABILIZER						
2-G05	3700	TIRES & JACK						
2-C06	3900	ENGINE & TRANSMISSION MOUNTINGS						
2-D06	4000	EXHAUST SYSTEM						
2-G06	4140	CLUTCH RELEASE & MASTER CYLINDERS (MANUAL TRANSMISSION)						
2-I06	4145	CLUTCH PIPINGS (MANUAL TRANSMISSION)						
2-J06	4160	ACCELERATOR CONTROL SYSTEM						
2-K06	4200	FUEL TANK						
2-C07	4210	FUEL L/D OPENER						
2-D07	4300	CLUTCH & BRAKE PEDALS (MANUAL TRANSMISSION)						
2-F07	4300A	BRAKE PEDALS (AUTOMATIC TRANSMISSION)						
2-G07	4340	BRAKE MASTER CYLINDER & POWER BRAKE						
2-I07	4360	BRAKE PIPINGS						
2-L07	4370	ANTILOCK BRAKE SYSTEM						
2-N07	4400	PARKING BRAKE SYSTEM						
2-C08	4500	FUEL PIPINGS						

## SECTION NAME INDEX (BODY)

LO.NO	SEC.NO	SECTION NAME	LO.NO	SEC.NO	SECTION NAME	LO.NO	SEC.NO	SECTION NAME
2-C10	0900	KEY SETS	3-C03	5795	ATR BAG	3-E08	6702	WIRING HARNESSSES(DASHBOARD)
2-E10	5000	FRONT BUMPER	3-D03	5800	FRONT DOORS	3-G08	6703	WIRING HARNESSSES(DOOR,FLOOR/CEILING)
2-H10	5010	REAR BUMPER	3-G03	5830	FRONT DOOR MECHANISMS	3-H08	6704	WIRING HARNESS CLAMPS
2-J10	5020	HEAD LAMP CLEANER (SUN ROOF)	3-J03	5840	FRONT DOOR TRIMS & RELATED PARTS	3-I08	6720	WINDSHIELD WASHER
2-L10	5030	WINDOW MOULDINGS	3-C04	6100	HEATER	3-K08	6730	WINDSHIELD WIPERS
2-M10	5040	BODY MOULDINGS	3-D04	6110	HEATER UNIT COMPONENTS	3-N08	6740	WIPER MOTOR COMPONENTS(FRONT)
2-N10	5100	HEAD LAMPS	3-E04	6115	HEATER CONTROLS COMPONENTS	3-N08	6750	WINDOW WIPER & WASHER (REAR)
2-D11	5103	HEAD LAMP RETRACTORS	3-F04	6120	HEATER BLOWER COMPONENTS	3-E09	6760	WINDOW WIPER MOTOR COMPONENTS (REAR)
2-F11	5105	FRONT COMBINATION LAMPS	3-G04	6130	AIR CONDITIONER (DENSO MAKE)	3-F09	6800	CEILING TRIMS
2-K11	5110	REAR COMBINATION LAMPS	3-J04	6130A	AIR CONDITIONER (MANA MAKE)	3-G09	6820	PILLAR TRIMS
2-D12	5120	LICENSE LAMPS	3-M04	6135	O RING SET,PIPING	3-H09	6840	TRIMS & SCUFF PLATES
2-E12	5125	INTERIOR LAMPS	3-N04	6140	COMPRESSOR COMPONENTS (AIR CONDITIONER) (DENSO MAKE)	3-L09	6845	STRAGE BOX
2-F12	5130	OVERHEAD CONSOLE	3-D05	6140A	COMPRESSOR COMPONENTS (AIR CONDITIONER) (MANA MAKE)	3-M09	6860	FLOOR MATS & PADS
2-G12	5170	ORNAMENTS	3-F05	6150	COOLING UNIT (AIR CONDITIONER) (DENSO MAKE)	3-D10	6870	SERVICE TOOLS
2-H12	5180	COWL & EXTRACTOR GRILLES	3-G05	6150A	COOLING UNIT (AIR CONDITIONER) (MANA MAKE)	3-E10	6900	VISORS,ASSIST HANDLES & MIRROR S
2-J12	5230	BONNET	3-I05	6230	LIFT GATE MECHANISMS	3-H10	6930	CAUTION PLATES & LABELS
2-L12	5310	FRONT PANELS	3-L05	6300	WINDOW GLASSES	3-J10	7250	QUARTER WINDOW & TRIMS
2-M12	5320	FENDER & WHEEL APRON PANELS	3-M05	6330	SUNROOF	3-L10	7800	SPOILERS & RELATED PARTS
2-D13	5330	DASH & COWL PANELS	3-F06	6600	SWITCHES & RELAYS (ENGINE)			
2-E13	5340	SIDE PANELS	3-J06	6610	DASHBOARD SWITCHES			
2-I13	5360	ROOF PANELS (W/O SUN ROOF)	3-K06	6611	COMBINATION SWITCH			
2-J13	5360 A	ROOF PANELS (SUN ROOF)	3-L06	6615	POWER WINDOW SWITCHES			
2-K13	5370	FLOOR PANELS	3-H06	6630	RELAYS & UNIT (BODY)			
2-M13	5380	FLOOR ATTACHMENTS (HOLE COVERS)	3-C07	6635	DOOR SWITCH & HORNS			
2-C14	5390	FLOOR ATTACHMENTS	3-D07	6640	AUTO CRUISE CONTROL SYSTEM			
2-C15	5500	DASHBOARD EQUIPMENTS	3-E07	6680	AUDIO SYSTEMS (RADIO & TAPE DECK)			
2-D15	5520	METER HOOD	3-G07	6682	AUDIO SYSTEMS (ANTENNA & SPEAKER)			
2-E15	5540	METER COMPONENTS	3-K07	6700	WIRING HARNESSSES(FRONT & REAR)			
2-G15	5560	DASHBOARD & RELATED PARTS	3-C08	6701	WIRING HARNESSSES(ENGINE & T/MISSION)			
2-K15	5570	CONSOLE						
2-N15	5580	VENTILATOR						
2-C16	5700	FRONT SEATS						
2-M16	5790	SEAT BELTS						

2505 -1 \* REAR PROPELLER SHAFT

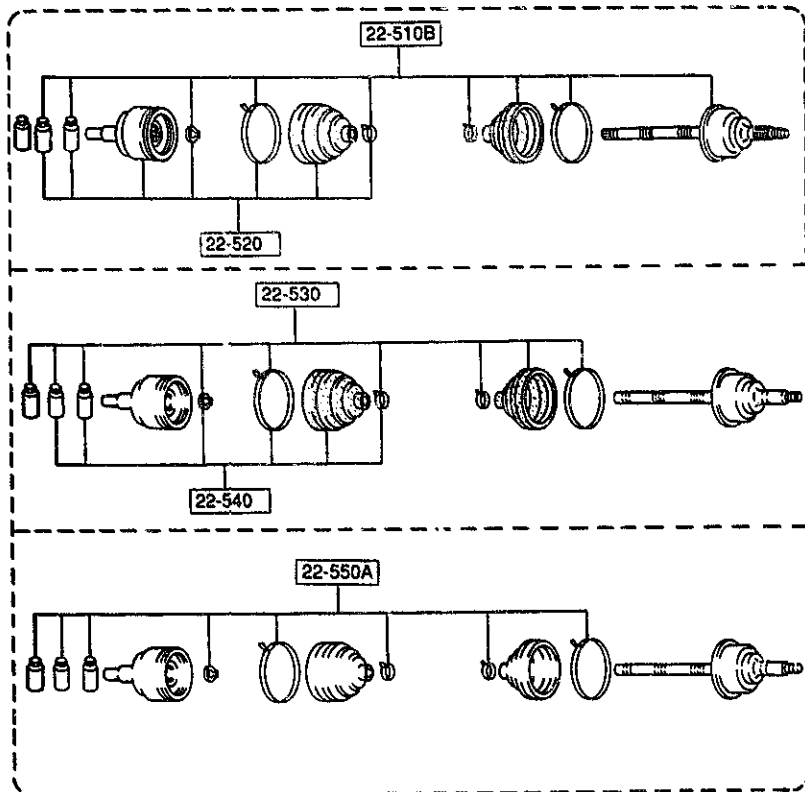
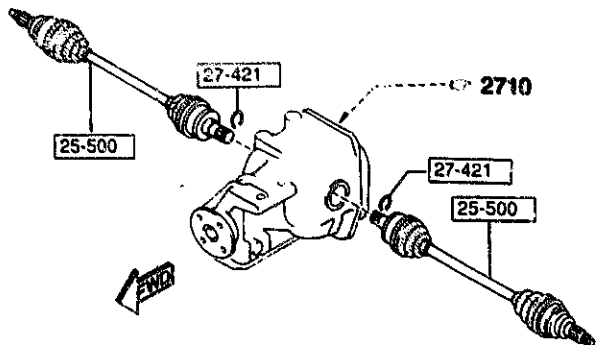
2505 REAR PROPELLER SHAFT



PART NO.	QTY	MODEL/RESTRICTION	MODEL/RESTRICTION	MODEL/RESTRICTION	FROM TO
25-100A		SHAFT, PROPELLER			
PF03-25-100	1	(MT)			
PF04-25-100	1	(AT)			
25-123		BOLT			
P011-25-123	4				
25-124		NUT			
1368-25-124	4				

2950 -1 \* REAR DRIVE SHAFT

2550 REAR DRIVE SHAFT



PART NO.	QTY	MODEL/RESTRICTION	MODEL/RESTRICTION	MODEL/RESTRICTION	FROM TO
22-5108		JOINT SET, OUTER			
MA10-22-510	2				
22-520		JOINT SET, INNER			
MA10-22-520	2				
22-530		BOOT SET, OUTER JOINT			
MA10-22-530	2				
22-540		BOOT SET, INNER JOINT			
MA10-22-540	2				
22-550A		CLIP SET, DRIVE SHAFT			
MA10-22-550	2				
25-500		SHAFT, DRIVE			
MA10-25-500	2				
27-421		CLIP			
P017-27-421A	2				

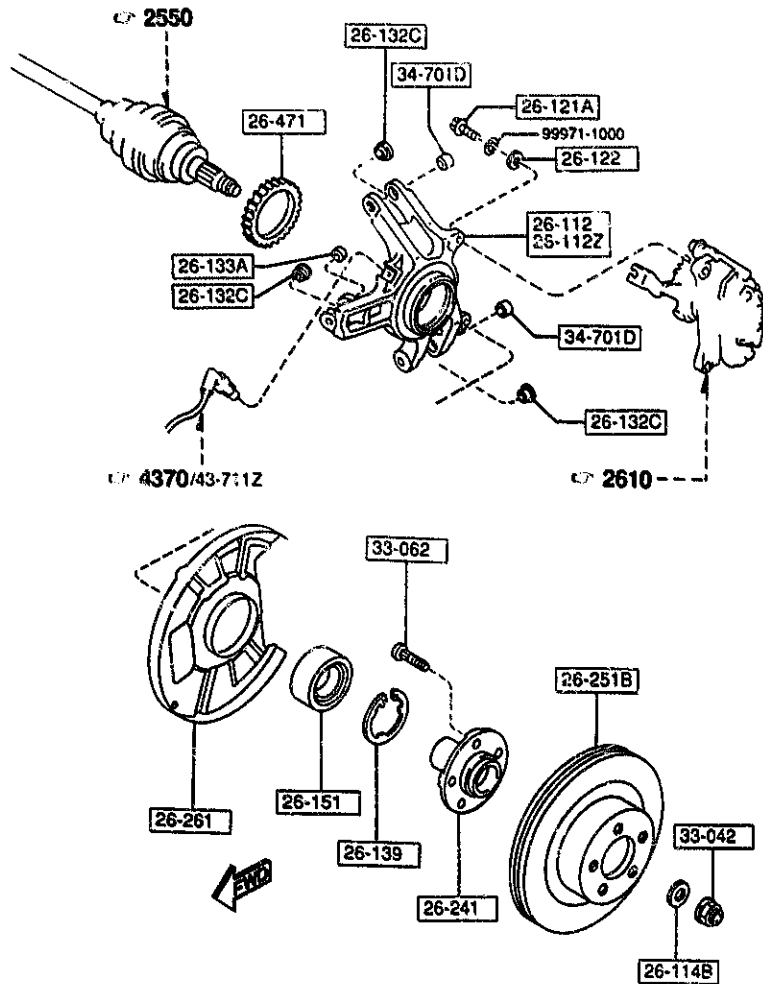
AUFA05

CAT. AUFA05-03

1995-03

2600 REAR AXLE

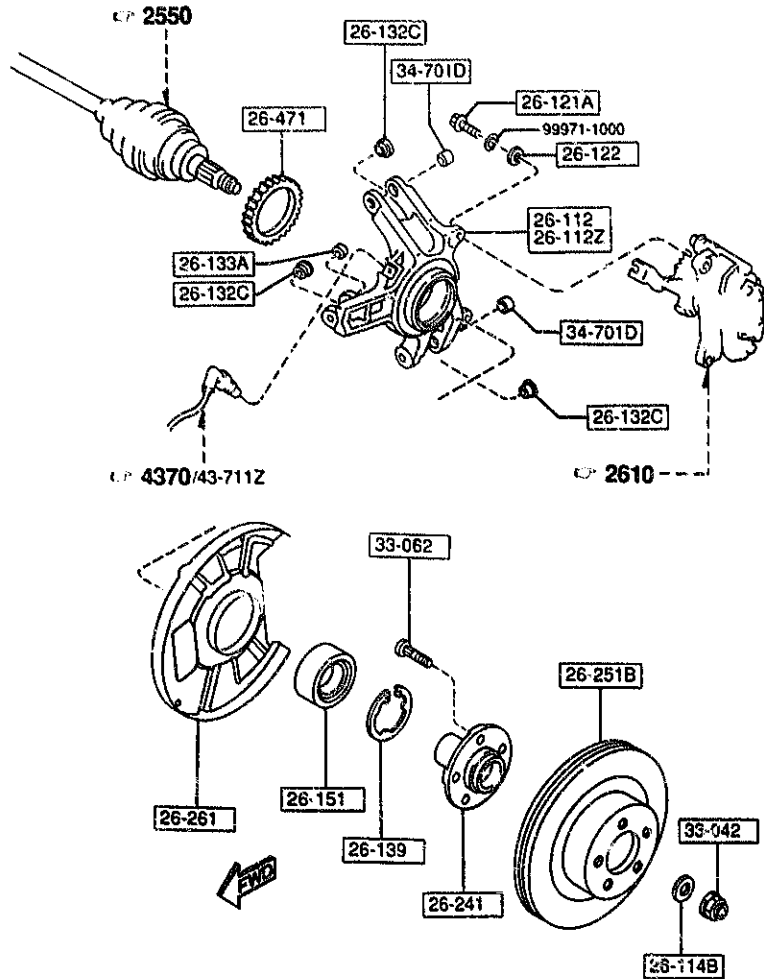
2600 -1 REAR AXLE



PART NO.	QTY	MODEL/RESTRICTION	MODEL/RESTRICTION	MODEL/RESTRICTION	FROM-TO
26-112		HUB(R),SUPPORT			
FD01-26-112	1				
26-112Z		HUB(L),SUPPORT			
FD01-26-122	1				
26-114B		WASHER,PLAIN			
J001-26-114	2				
26-121A		BOLT,REAR BRAKE			
FB01-26-121A	4				
26-122		WASHER,PLAIN-REAR BRAKE			
FB01-26-122	4				
26-132C		WASHER,SLEEVE-REAR BRAKE			
FD01-26-132A	6				
26-133A		SLEEVE			
FD01-26-133B	2				
26-139		RING,RETAINING			
J001-26-139A	2				
26-151		BEARING,WHEEL			
J001-26-151	2				
26-241		FLANGE,REAR AXLE			
FD04-26-241	2				
26-251B		PLATE,DISC			
FD01-26-25X	2				
26-261		COVER,DUST			
FD01-26-261	2				
26-471		ROTOR,SENSOR-RR A.B.S.			
FD04-26-471	2				
33-042		NUT			
LA01-33-042B	2				

2600 REAR AXLE

2600 -2 \* REAR AXLE



PART NO.	QTY	MODEL/RESTRICTION	MODEL/RESTRICTION	MODEL/RESTRICTION	FIGURE
33-062		BOLT, HUB			
8455-33-062	10				
34-701D		SLEEVE			
FD01-34-701B	4				

AUFA05

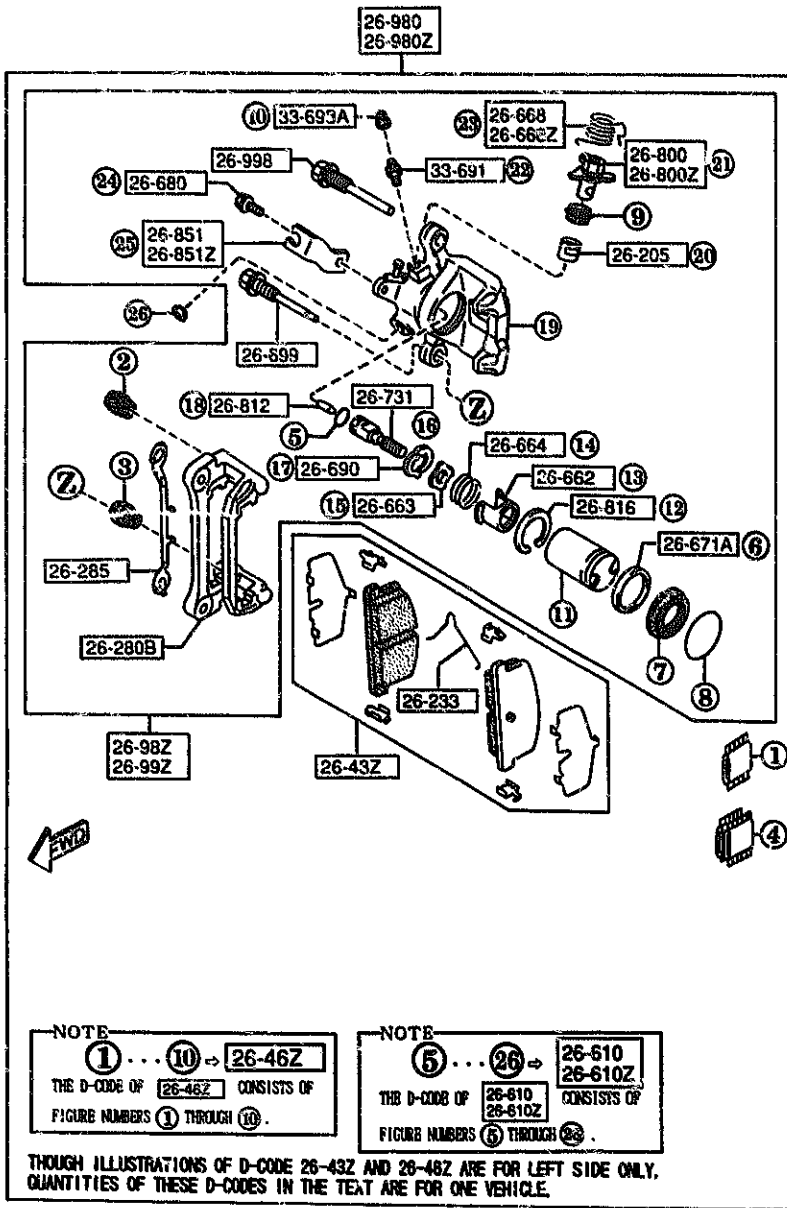
CAT. AUFA05-03

1995-03



2610 REAR BRAKE MECHANISMS

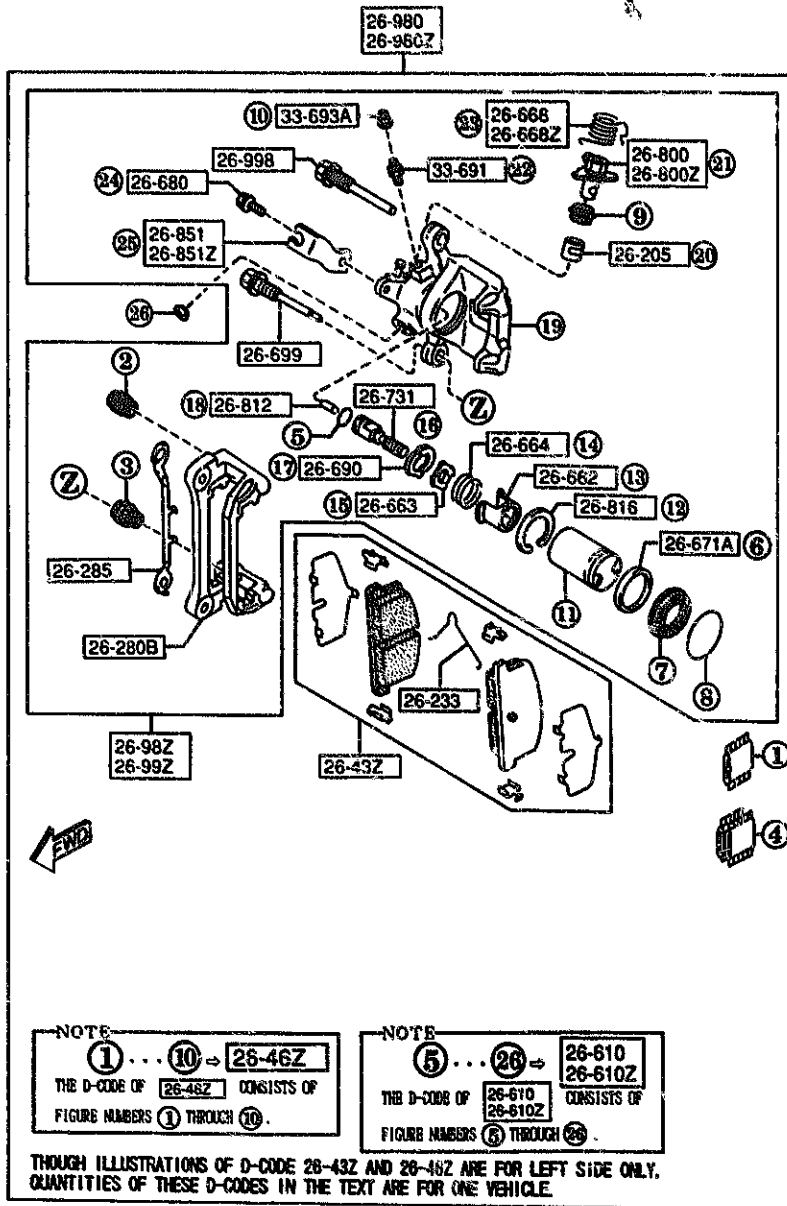
2610 -1 REAR BRAKE MECHANISMS



PART NO.	QTY	MODEL/RESTRICTION	MODEL/RESTRICTION	MODEL/RESTRICTION	FROM-TO
26-205		BEARING			
H001-26-205	2				
26-233		SPRING(V), REAR BRAKE			
FU01-26-233	2				
26-280B		SUPPORT, MOUNTING			
FD01-26-281	2				
26-285		PLATE, GUARD-CALIPER BRAKE			
FD01-26-285A	2				
26-43Z		PAD SET, RR CALIPER NON ASBESTOS			
FDY1-26-43Z	1				
26-46Z		SEAL & BOOT SET, CAL- -RR			
FDY1-26-46Z	1				
26-610		BODY & PISTON(R), CAL IPER			
FD01-26-61X	1				
26-610Z		BODY & PISTON(L), CAL IPER			
FD01-26-71X	1				
26-662		COVER, CASE			
B462-26-662	2				
26-663		WASHER, SPRING			
B462-26-663	2				
26-664		SPRING			
B462-26-664	2				
26-668		SPRING(R), LEVER			
FD01-26-668	1				
26-668Z		SPRING(L), LEVER			
FD01-26-669	1				
26-671A		SEAL, PISTON			

2610 REAR BRAKE MECHANISMS

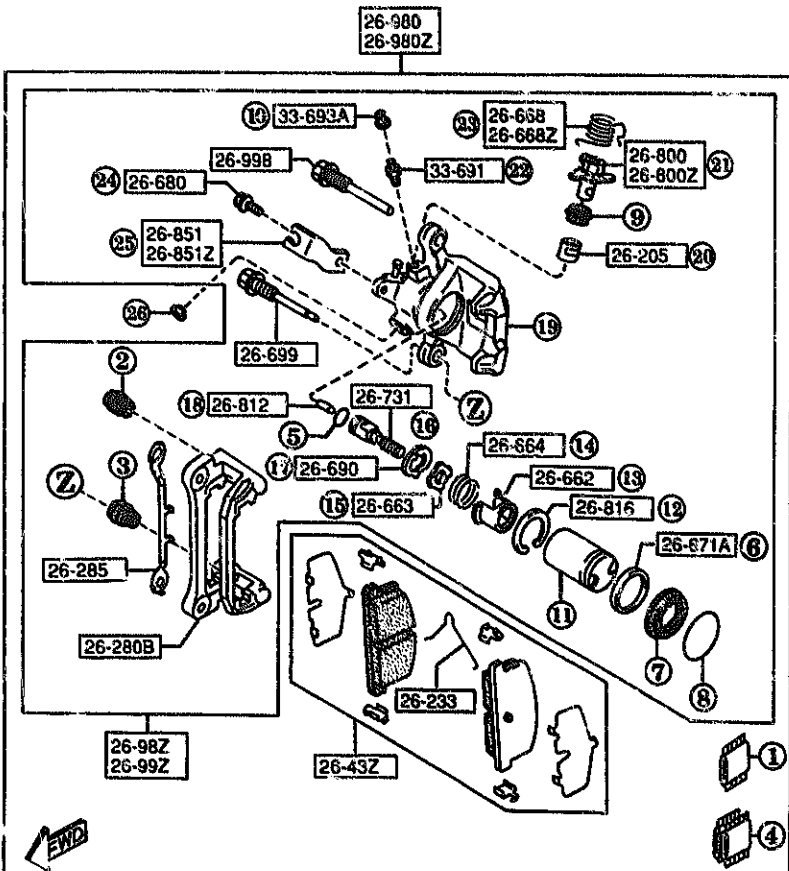
2610 -2 REAR BRAKE MECHANISMS



PART NO.	QTY	MODEL/RESTRICTION	MODEL/RESTRICTION	MODEL/RESTRICTION	FROM-TO
CONT'D					
1393-26-671	2				
26-680		BOLT			
FA18-26-680	2				
26-690		STOPPER, CALIPER-RR			
B462-26-694	2				
26-699		PIN, LOCK			
FD01-26-699	2				
26-731		SPINDLE, ADJUSTER			
FD01-26-731	2				
26-800		LEVER(R), OPERATING			
FD01-26-800	1				
26-800Z		LEVER(L), OPERATING			
FD81-26-810	1				
26-812		LINK, CONNECTING			
H001-26-812	2				
26-816		RING, SNAP-RR CALIPER			
GJ25-26-816	2				
26-851		BRACKET(R), CABLE			
FD01-26-851	1				
26-851Z		BRACKET(L), CABLE			
FD83-26-861	1				
26-98Z		CALIPER(R), PADLES R			
FD01-26-98Z	1				
26-980		CALIPER(R), RR BRAKE			
FD01-26-980A	1				
26-980Z		CALIPER(L), RR BRAKE			
FD01-26-990A	1				

2610 REAR BRAKE MECHANISMS

2610 -3 \* REAR BRAKE MECHANISMS



PART NO.	QTY	MODEL/RESTRICTION	MODEL/RESTRICTION	MODEL/RESTRICTION	FROM-TO
26-992		CALIPER(L), PADLESS-R			
FD01-26-99Z	1				
26-998		PIN, GUIDE			
FD01-26-998	2				
33-691		SCREW, BLEEDER			
0233-33-691	2				
33-693A		CAP, BLEEDER SCREW			
1316-33-693	2				

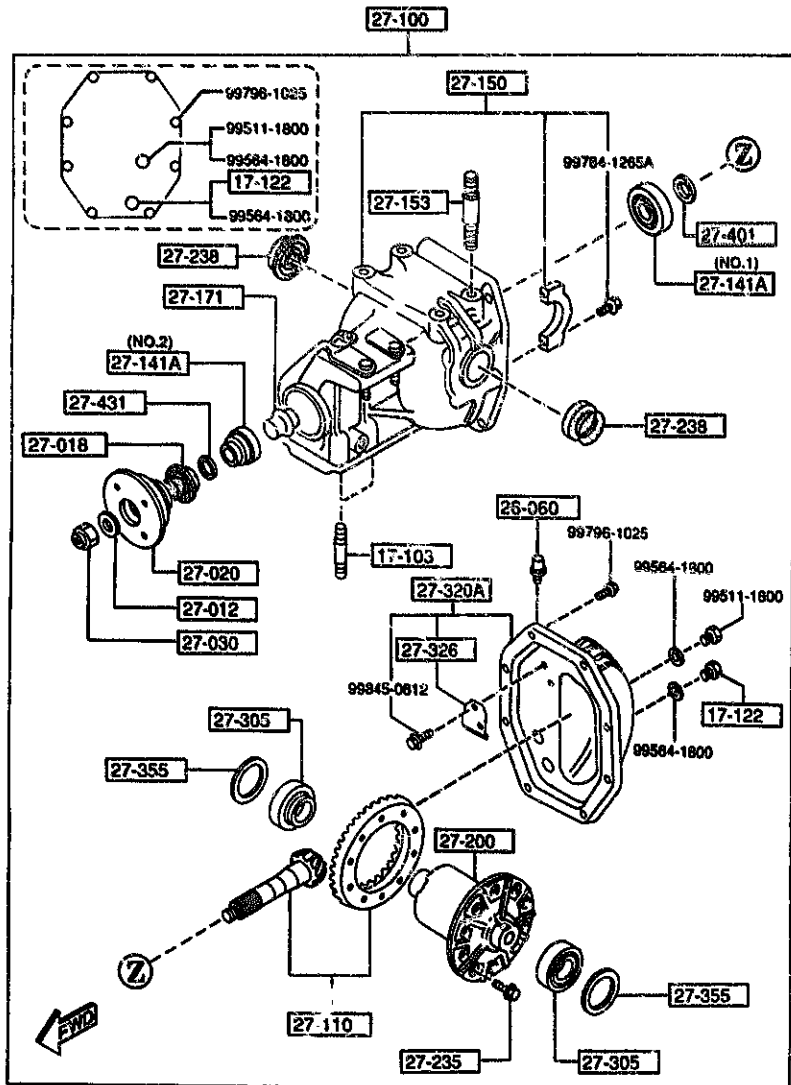
NOTE  
 ① ... ⑩ ⇒ 26-46Z  
 THE D-CODE OF 26-46Z CONSISTS OF  
 FIGURE NUMBERS ① THROUGH ⑩.

NOTE  
 ⑤ ... ⑳ ⇒ 26-610  
 26-610Z  
 THE D-CODE OF 26-610  
 26-610Z CONSISTS OF  
 FIGURE NUMBERS ⑥ THROUGH ⑳.

THOUGH ILLUSTRATIONS OF D-CODES 26-43Z AND 26-46Z ARE FOR LEFT SIDE ONLY,  
 QUANTITIES OF THESE D-CODES IN THE TEXT ARE FOR ONE VEHICLE.

2710 -1 REAR DIFFERENTIALS

2710 REAR DIFFERENTIALS

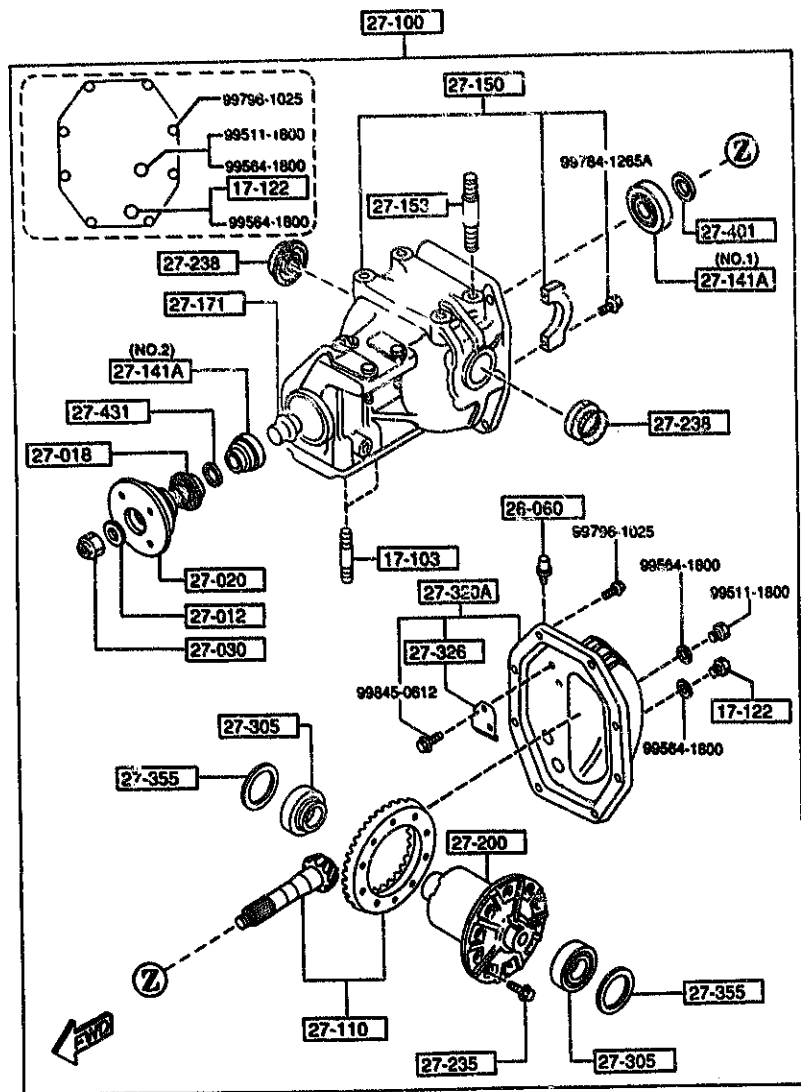


PART NO.	QTY	MODEL/RESTRICTION	MODEL/RESTRICTION	MODEL/RESTRICTION	FROM-TO
17-103		BOLT			
R526-17-103	2				
17-122		PLUG, MAGNET			
0810-17-121	1				
26-060		BREATHER			
0758-26-060	1				
27-012		WASHER			
0233-27-012	1				
27-018		SEAL, OIL			
R001-27-165	1				
27-020		FLANGE, COMPANION			
P044-27-120B	1	(AT)			
P945-27-120A	1	(MT)			
27-030		NUT, LOCK			
0223-27-030	1				
27-100		DRIVING & DIFF.			
R008-27-100C	1	(MT)			
R010-27-100B	1	(AT)			
27-110		GEAR SET, FINAL			
P061-27-110	1	R=4.100			
		(MT)			
P062-27-110	1	R=3.909			
		(AT)			
27-141A		BEARING, PINION			
R001-27-210	1	(ILLUST. NO.1)			
0604-27-220	1	(ILLUST. NO.2)			
27-150		CARRIER, DIFFERENTIAL			
R005-27-150	1				
27-153		BOLT			
R005-27-153	4				

2-1-3

2710 REAR DIFFERENTIALS

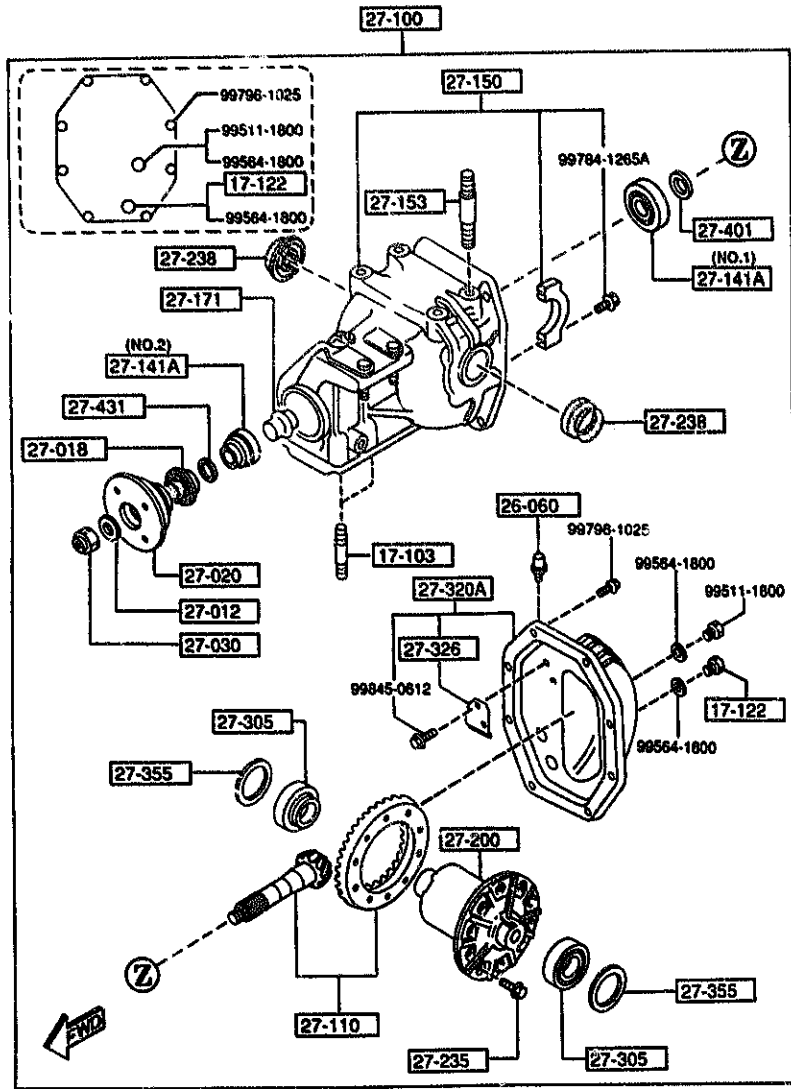
2710 -2 REAR DIFFERENTIALS



PART NO.	QTY	MODEL/RESTRICTION	MODEL/RESTRICTION	MODEL/RESTRICTION	FROM-TO
27-171		PIECE, DISTANCE			
P304-27-171	1				
27-200		DIFFERENTIAL			
P099-27-200E	1	(MT)			
R008-27-200B	1	(AT)			
27-235		BOLT, RING GEAR			
8051-27-235	10	D=10MM			
8051-27-236	10	D=10.2MM			
27-238		SEAL, OIL			
P043-27-238	2				
27-305		BEARING			
0118-27-350A	2				
27-320A		COVER, REAR			
R005-27-320	1				
27-326		PLATE, BAFFLE			
M005-27-326A	1				
27-355		SHIM, ADJUST			
R001-27-355	2	T=5.5MM			
R001-27-356	2	T=5.75MM			
R001-27-357	2	T=5.6MM			
R001-27-358	2	T=5.65MM			
R001-27-359	2	T=5.7MM			
R001-27-361	2	T=5.8MM			
R001-27-362	2	T=5.85MM			
R001-27-363	2	T=5.9MM			
R001-27-364	2	T=5.95MM			

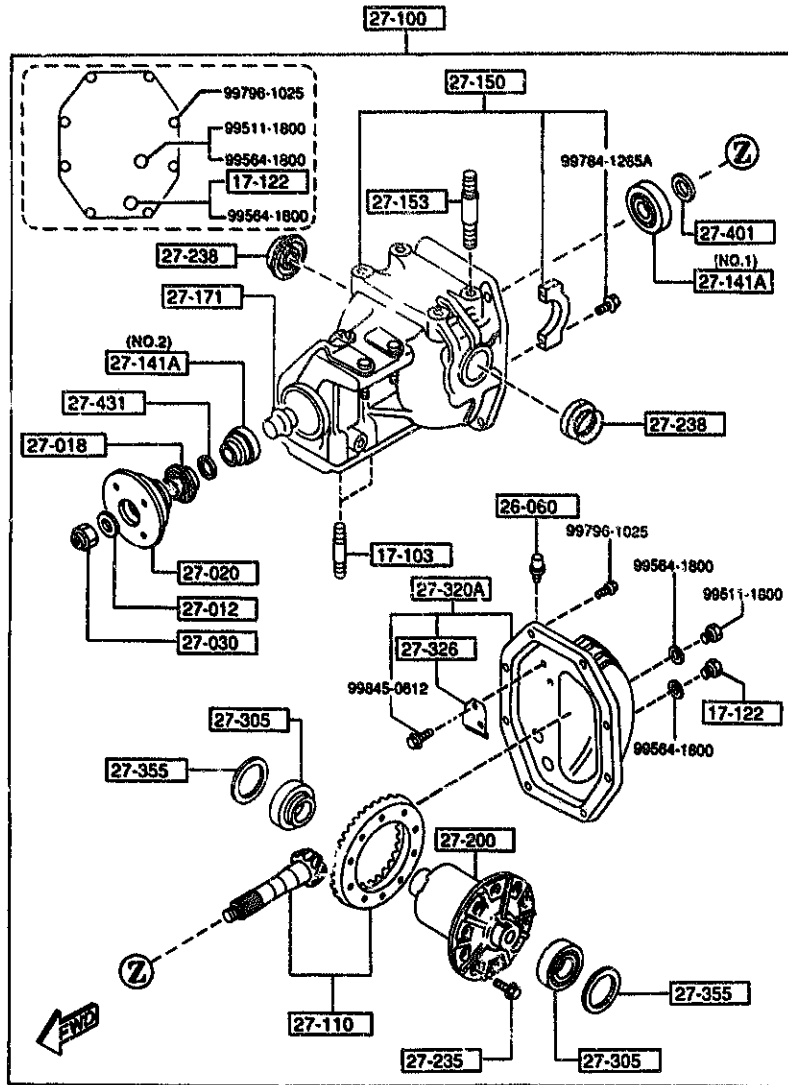
2710 REAR DIFFERENTIALS

2710 -3 REAR DIFFERENTIALS



PART NO.	QTY	MODEL/RESTRICTION	MODEL/RESTRICTION	MODEL/RESTRICTION	FROM-TO
CONT'D	2				
R001-27-365	2	T=6MM			
R001-27-366	2	T=6.05MM			
R001-27-367	2	T=6.1MM			
R001-27-368	2	T=6.15MM			
R001-27-369	2	T=6.2MM			
R001-27-371	2	T=6.25MM			
R001-27-372	2	T=6.3MM			
R001-27-373	2	T=6.35MM			
R001-27-374	2	T=6.4MM			
R001-27-375	2	T=6.5MM			
27-401		SPACER			
R001-27-401	1	T=3.47MM			
R001-27-402	1	T=3.08MM			
R001-27-403	1	T=3.11MM			
R001-27-404	1	T=3.14MM			
R001-27-405	1	T=3.17MM			
R001-27-406	1	T=3.2MM			
R001-27-407	1	T=3.23MM			
R001-27-408	1	T=3.26MM			
R001-27-409	1	T=3.29MM			
R001-27-411	1	T=3.32MM			
R001-27-412	1	T=3.35MM			

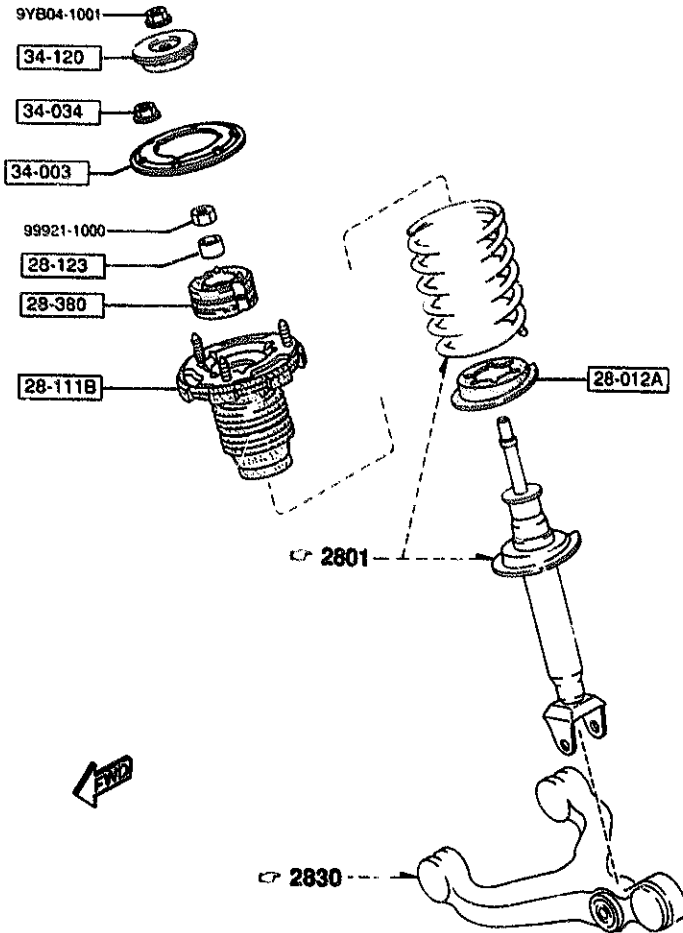
2710 REAR DIFFERENTIALS



PART NO.	QTY	MODEL/RESTRICTION	MODEL/RESTRICTION	MODEL/RESTRICTION	FROM - TO
CONT'D					
R001-27-413	1	T=3.38MM			
R001-27-414	1	T=3.41MM			
R001-27-415	1	T=3.44MM			
27-431	1	SPACER			
PAD1-27-431	1				

2800 REAR SUSPENSION MECHANISMS

2800 -1 \* REAR SUSPENSION MECHANISMS

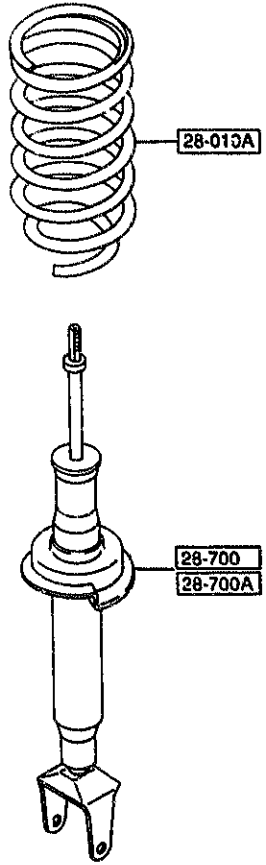


PART NO.	QTY	MODEL/RESTRICTION	MODEL/RESTRICTION	MODEL/RESTRICTION	FROM-TO
28-012A		SHEET, RUBBER			
FD01-28-012	2				
28-111B		STOPPER, BUMP			
FD15-28-110A	2				
28-123		SPACER			
FD01-28-123A	2				
28-380		RUBBER, MOUNTING			
FD15-28-380A	2				
34-003		SHEET, FRT DAMPER			
FD01-34-003	2				
34-034		NUT, FLANGE			
M380-34-034 AN(M380-34-034A)	6				4501
MH380-34-034A	6				4501-
34-120		STOPPER			
FD01-34-120	2				
4501 FD333*-303535					



2801 -1 \* REAR SPRING & DAMPER

2801 REAR SPRING & DAMPER



PART NO.	QTY	MODEL/RESTRICTION	MODEL/RESTRICTION	MODEL/RESTRICTION	FROM-TO
+-----+   28-010A   +-----+ FD15-28-011B	2	SPRING, COIL-REAR			
+-----+   28-700   +-----+ FD15-28-700A	2	DAMPER, REAR (NOR. SUSP)			
+-----+   28-700A   +-----+ FD16-28-700A	2	DAMPER(R), REAR (IN SPITE OF (R), THIS PART IS APPLICABLE TO BOTH RH&LH SIDE) (HARD SUSP)			

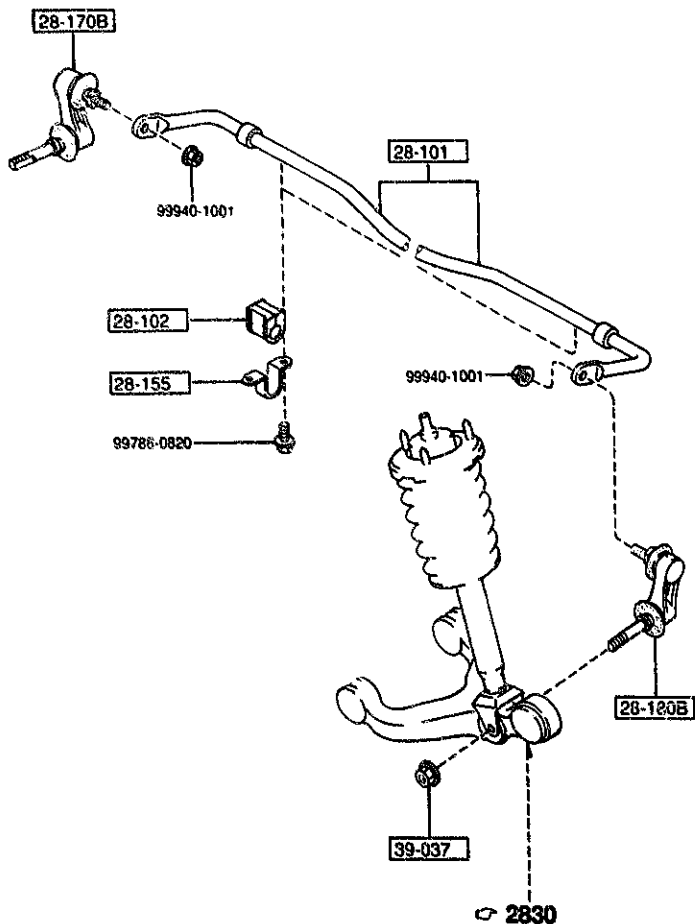


AUFA05

CAT. AUFA05-03

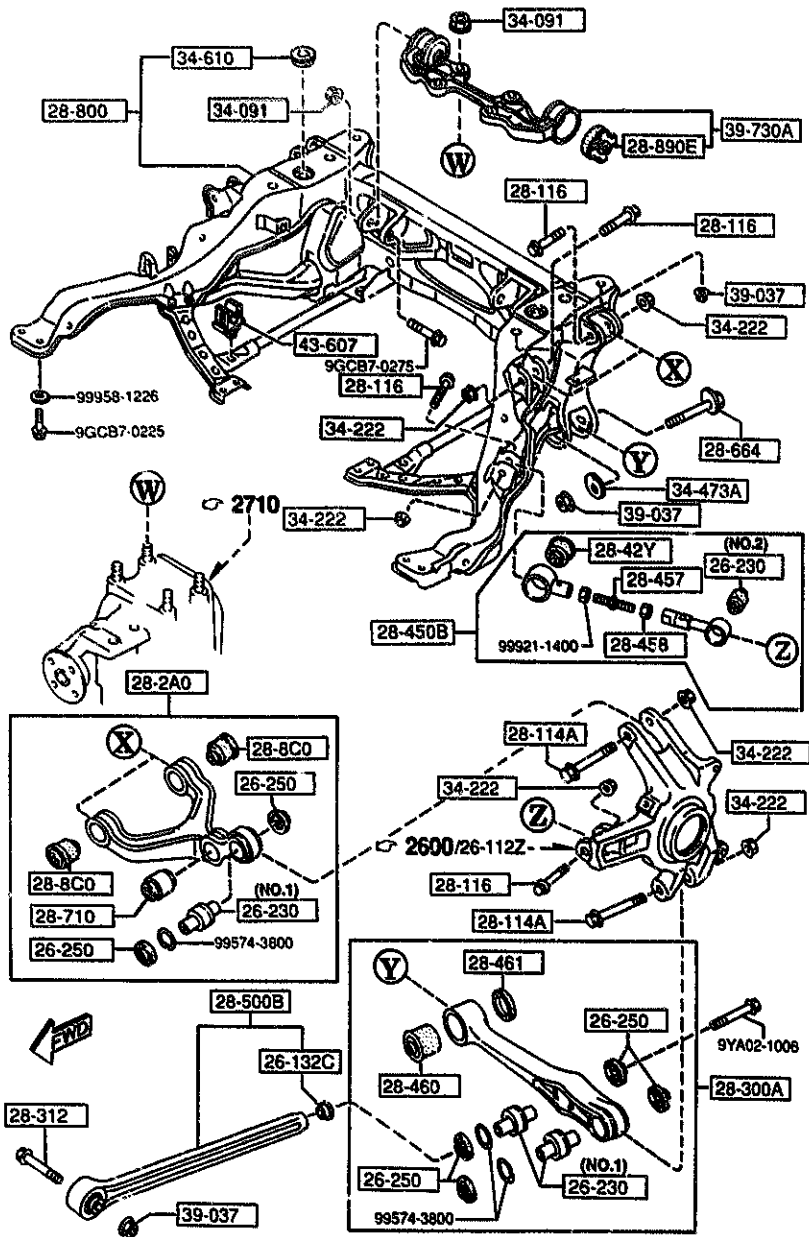
1995-03

2810 REAR STABILIZER



PART NO.	QTY	MODEL/RESTRICTION	MODEL/RESTRICTION	MODEL/RESTRICTION	FRONT
28-101 FD15-28-151A	1	STABILIZER,RR			
28-102 FD15-28-156A	2	BUSH,STABILIZER-RR			
28-155 FD01-28-155A	2	PLATE,STABILIZER-RR			
28-170B FD01-28-170B	1	LINK,CONTROL-STAB			
28-180B FD01-28-180B	1	LINK,CONTROL			
39-037 B001-39-037B	2	NUT			

2830 REAR LOWER ARMS & SUB FRAME



PART NO.	QTY	MODEL/RESTRICTION	MODEL/RESTRICTION	MODEL/RESTRICTION	FROM-TO
26-132C		WASHER, SLEEVE-REAR B			
FD01-26-132A	2	RAKE			
26-230		BALL, PILLOW-RR LOWER			
FD01-26-220	6	ARM (ILLUST. NO.1)			
FD01-26-230	2	(ILLUST. NO.2)			
26-250		RUBBER, SEAL-RR LOWER			
FD01-26-250	12	ARM			
28-114A		BOLT			
FD01-28-114	4				
28-116		BOLT			
FD01-28-116	8				
28-2A0		ARM, UPPER-REAR			
FD01-28-2A0B	2				
28-300A		ARM, LOWER-REAR			
FD01-28-300B	2				
28-312		BOLT*A*, LINK			
H266-28-312	2				
28-42Y		BUSH, PILLOW BALL			
FD01-28-42Y	2				
28-450B		LINK, TOE CONTROL			
FD01-28-450B	2				
28-457		BOLT			
FD01-28-457	2				
28-458		NUT			
FD01-28-458	2				
28-460		BUSHING, LOWER ARM			
FD01-28-460	2				

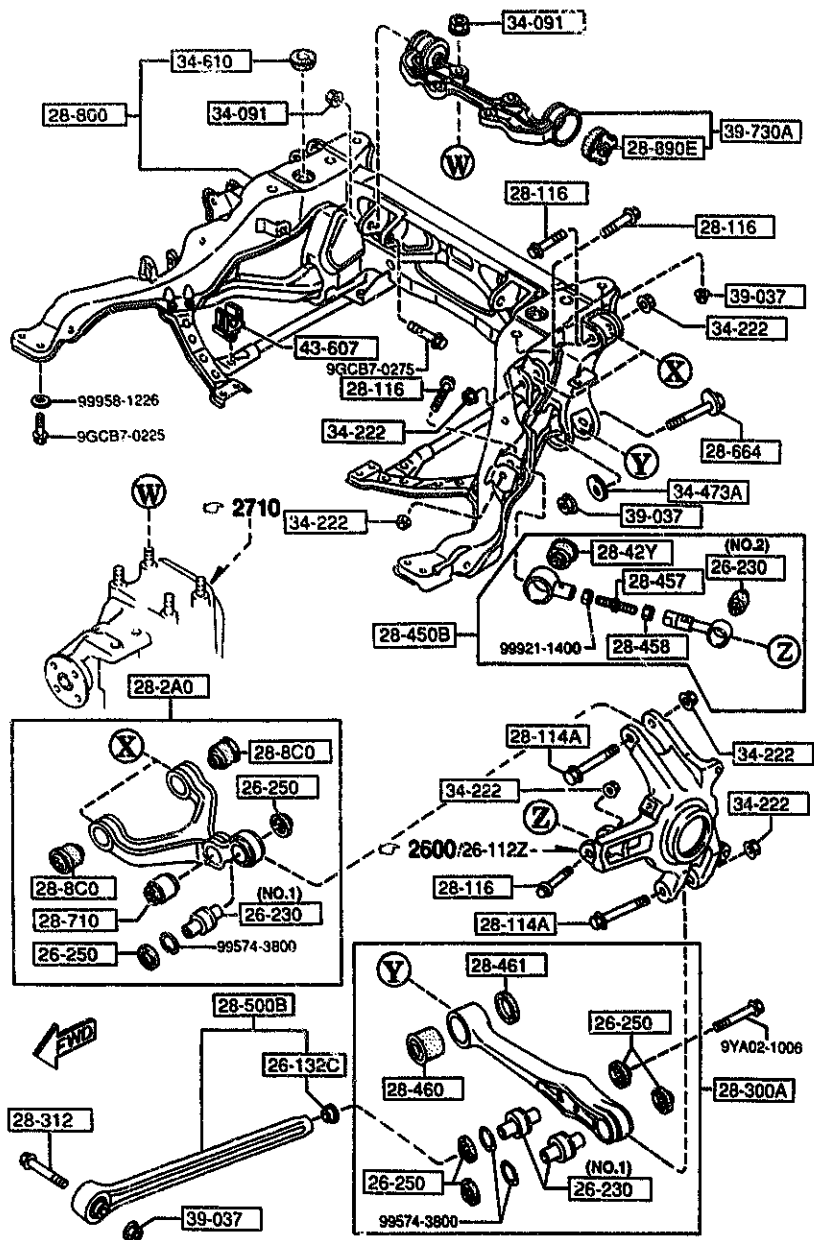
AUFA05

-114-

CAT. AUFA05-03

1995-03

2830 REAR LOWER ARMS & SUB FRAME



2830 -2 REAR LOWER ARMS & SUB FRAME

PART NO.	QTY	MODEL/RESTRICTION	MODEL/RESTRICTION	MODEL/RESTRICTION	FROM-TO
28-461		STOPPER, LOWER ARM			
FD01-28-461	2				
28-500B		LINK, LOWER-FRONT			
FD15-28-50X	2	(NOR. SUSP)			
FD16-28-50X	2	(HARD SUSP)			
28-664		BOLT, ADJUST			
FD01-28-664	2				
28-710		BUSH, DAMPER			
FD01-28-710A	2				
28-800		BUSHING, RUBBER			
FD01-28-800A	4				
28-800		FRAME, SUB			
FD15-28-80XB	1				
28-890E		RUBBER, MOUNT. - DIFF. C			
FD01-28-890A	2	ASING			
34-091		NUT			
B455-34-091	2				
34-222		NUT			
8871-34-222	12				
34-473A		PLATE, CAM			
FD01-34-473	2				
34-610		RUBBER, MOUNTING			
FD01-34-610A	2				
39-037		NUT			
B001-39-037B	8				
39-730A		BRACKET, DIFF. MOUNTIN			
FD01-39-730A	1	G			

AUFA05

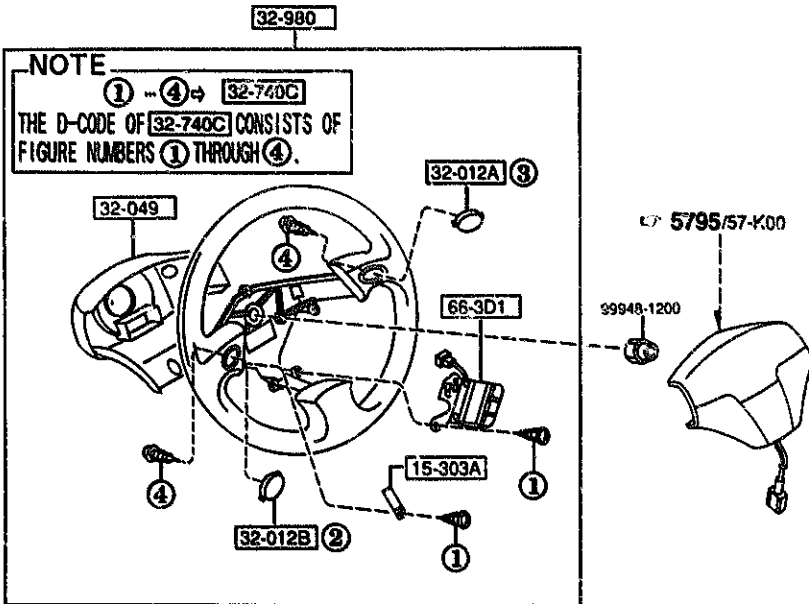
-114-

CAT. AUFA05-03

1995-03



3200 STEERING WHEEL



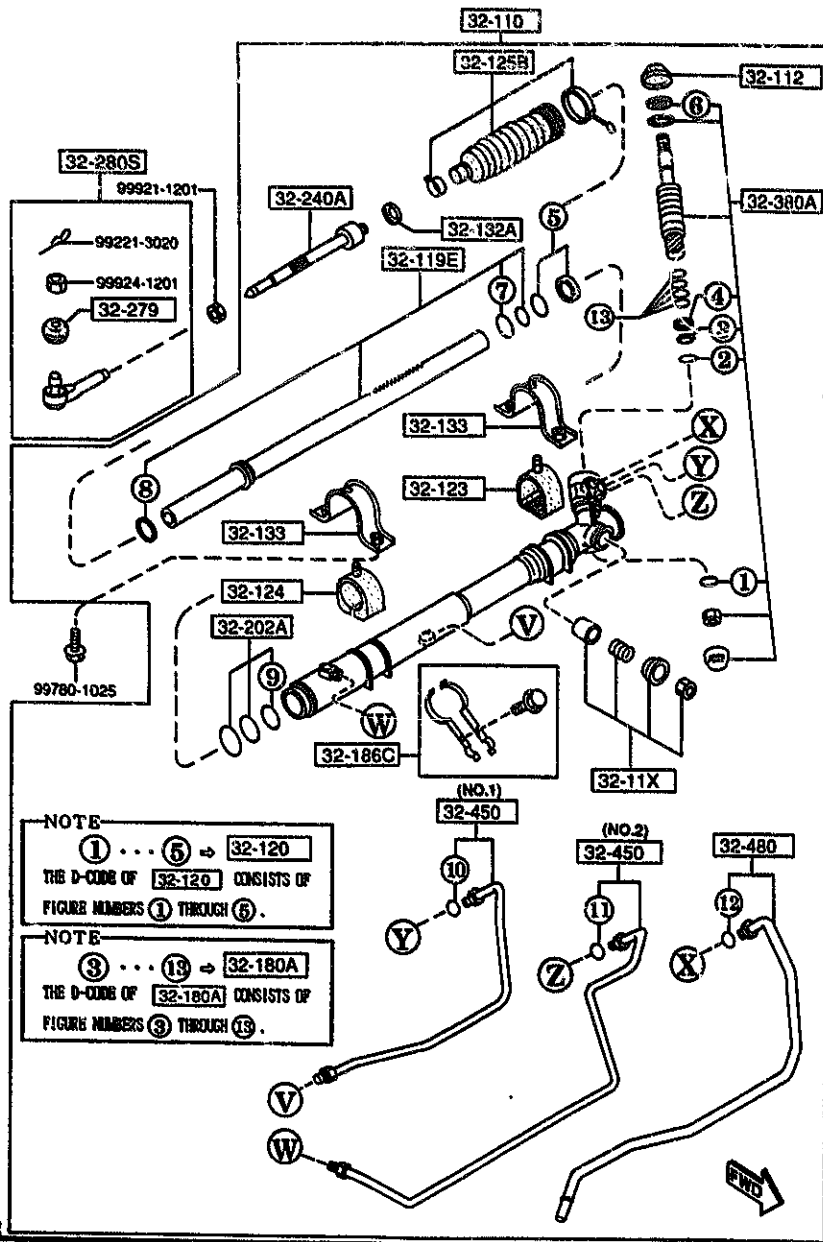
3200 -1 \* STEERING WHEEL

PART NO.	QTY	MODEL/RESTRICTION	MODEL/RESTRICTION	MODEL/RESTRICTION	FROM-TO
15-303A		CLIP			
2667-15-303A	2				
32-012A		BUTTON(R),HORN			
FD01-32-81X	1				
32-012B		BUTTON(L),HORN			
FD01-32-810	1				
32-049		COVER,WHEEL CORE			
FD01-32-049	1	(NOR.SUSP)			
FD03-32-049	1	(HARD SUSP)			
32-740C		PARTS SET,ST. WHEEL			
FD01-32-750	1				
32-980		BOSS,STEERING WHEEL			
FD01-32-980D A (FD01-32-980E)	1				-3903
FD03-32-980D A (FD03-32-980E)	1				-3903
FD01-32-980E	1	(NOR.SUSP)			3903-
FD03-32-980E	1	(HARD SUSP)			3903-
66-3D1		SWITCH,AUTOCRUISE			
FD01-66-3D1A	1	(NOR.SUSP)			
3903 FD333*-300440					



3220 STEERING GEAR

3220 -1 STEERING GEAR



PART NO.	QTY	MODEL/RESTRICTION	MODEL/RESTRICTION	MODEL/RESTRICTION	FROM-TO
32-11X		YOKE SEY,SUPPORT-ST. GEAR			
FD01-32-11X	1				
32-110		GEAR,STEERING			
FD15-32-110A AN(FD15-32-110B)	1				-4401
FD15-32-110B	1				4401-
32-112		COVER,DUST			
FD01-32-112	1				
32-119E		RACK,STEERING GEAR			
FD01-32-119	1				-4401
FD01-32-119A	1				4401-
32-120		HOUSING,GEAR			
FD01-32-120	1				
32-123		RUBBER,MOUNTING			
FD01-32-123	1				-4401
F110-32-123	1				4401-
32-124		RUBBER,MOUNTING			
FD01-32-124	1				
32-125B		BOOT,RACK			
FD01-32-125A	1	(FOR LEFT)			
FD02-32-125A	1	(FOR RIGHT)			
32-132A		WASHER			
FD01-32-132	2				
32-133		PLATE,CLAMP			
FD01-32-133	2				
32-180A		SEAL KIT,ST. GEAR			
FD01-32-180	1				
32-186C		CLIP KIT,ST. GEAR			
FD01-32-186	1				
4401 FD333*-303310					

AUFA05

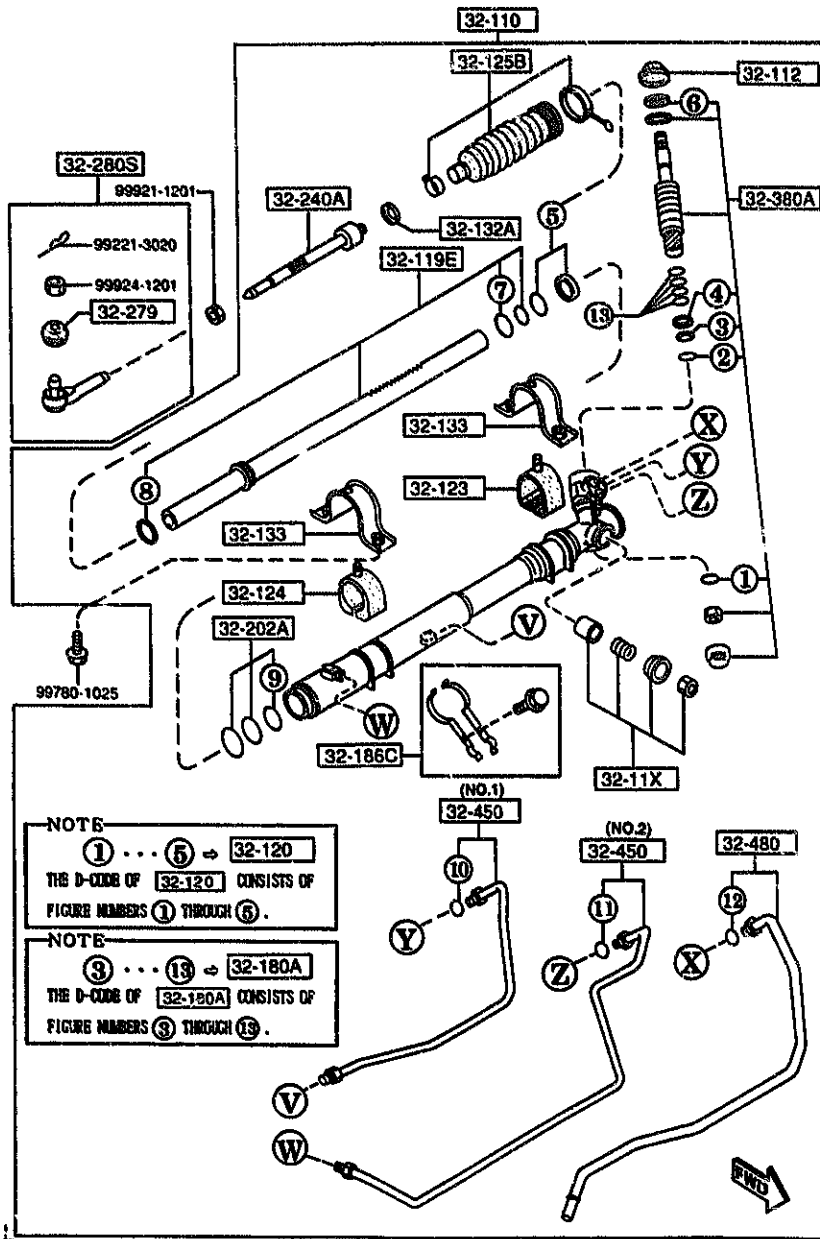
CAT. AUFA05-03

1995-03



3220 STEERING GEAR

3220 -2 M STEERING GEAR

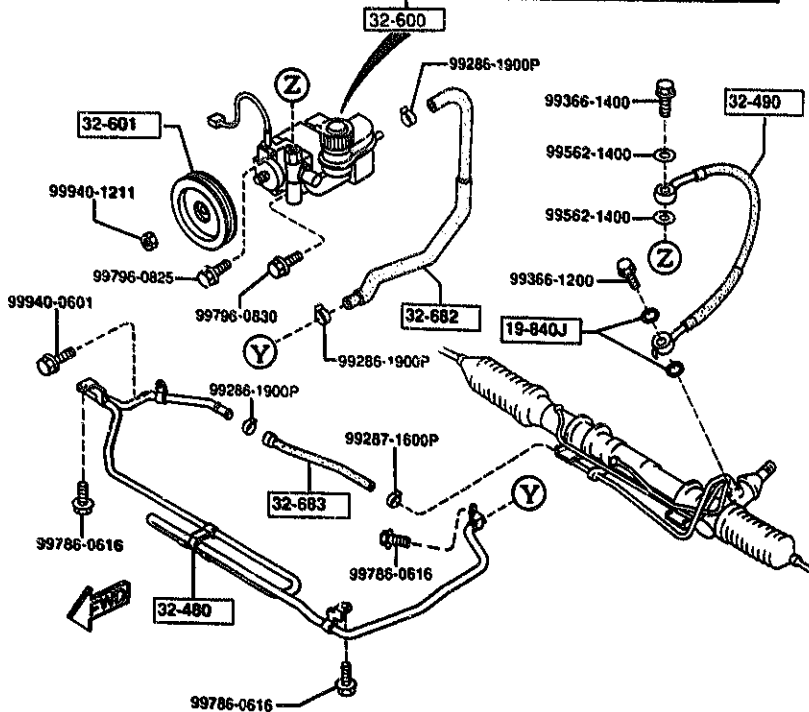
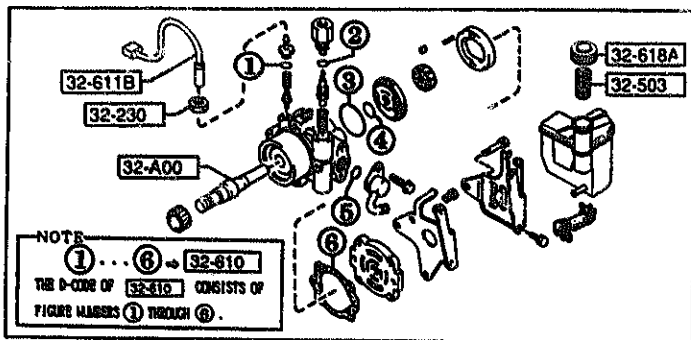


PART NO.	QTY	MODEL/RESTRICTION	MODEL/RESTRICTION	MODEL/RESTRICTION	FROM TO
32-252A		STOPPER, RACK-ST. GEAR			
FD01-32-202	1				
32-240A		JOINT, BALL			
FD01-32-240	2				-4401
FD01-32-240A	2				4401-
32-279		SEAL, DUST-BALL JOINT			
B455-32-279	2				
32-280S		JOINT SET, BALL			
6A82-32-280	2				
32-380A		VALVE, ST. GEAR			
FD15-32-380	1				
32-450		PIPE, PRESSURE			
FD01-32-450	1	(ILLUST. NO.1)			
FD02-32-450	1	(ILLUST. NO.2)			
32-480		PIPE, RETURN			
FD02-32-480	1				
4401 FD333M-303310					

AUFA05

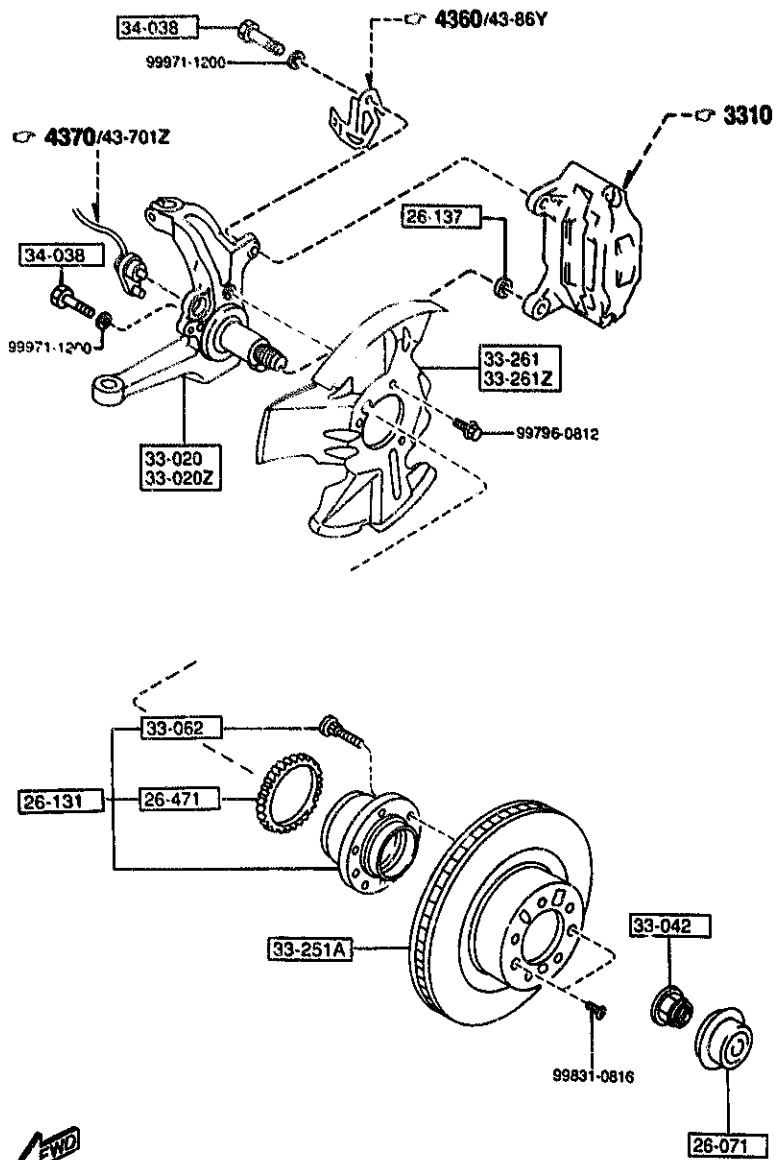
CAT. AUFA05-03

1995-03



PART NO.	QTY	MODEL/RESTRICTION	MODEL/RESTRICTION	MODEL/RESTRICTION	FROM-TO
19-840J		RING, 'O'			
99541-01401	2				
32-A00		SHAFT			
GA2A-32-607	1				
32-230		SENSOR, STEERING PRES SURE			
H380-32-230	1				
32-480		PIPE, RETURN			
FD01-32-480F	1				
32-490		HOSE, PRESSURE			
FD01-32-490D	1				
32-503		STRAINER			
BR71-32-503	1				
32-600		PUMP, VANE			
FD15-32-600A	1				
32-601		PULLEY, VANE PUMP			
FD01-32-620B	1				
32-610		SEAL KIT, VANE PUMP			
EA03-32-610	1				
32-611B		HARNES			
FD01-32-611A	1				
32-618A		CAP, VANE PUMP TANK			
G211-32-618A	1				
32-682		HOSE, RETURN			
FD01-32-682E	1				
32-683		CLAMP			
FD01-32-683A	1				

3300 FRONT AXLE



3300 -1 R FRONT AXLE

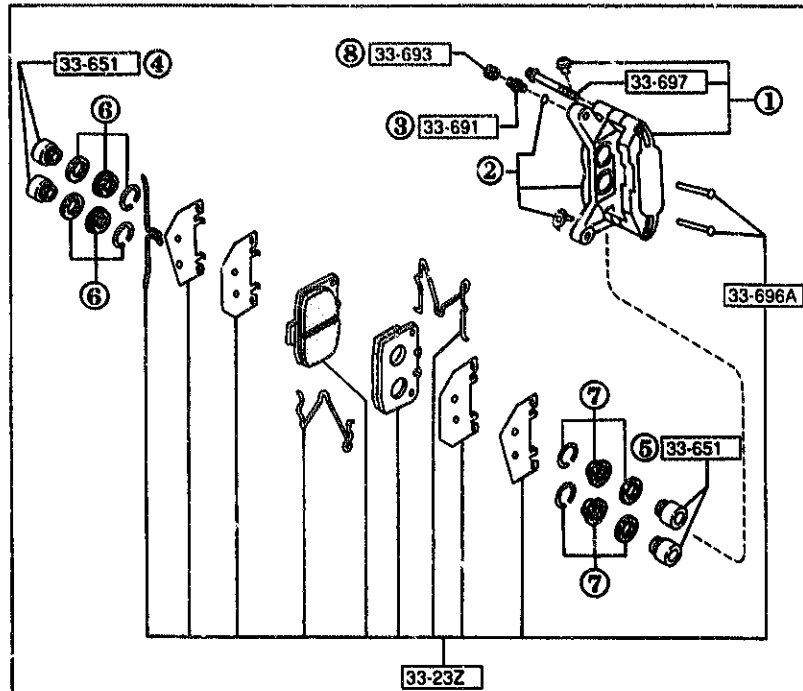
PART NO.	QTY	MODEL/RESTRICTION	MODEL/RESTRICTION	MODEL/RESTRICTION	FROM TO
26-071		CAP, HUB			
GA2A-26-071	2				
26-131		BEARING & HUB			
GA5S-26-15X	2				
26-137		WASHER, PLAIN-LOWER ARM			
FD01-24-137	2				
26-471		ROTOR, SENSOR-RR A. B. S.			
GA5S-26-471	2				
33-020		KNUCKLE(R), STEERING			
FD15-33-021	1				
33-020Z		KNUCKLE(L), STEERING			
FD15-33-031	1				
33-042		NUT			
LA01-33-042B	2				
33-062		BOLT, HUB			
J00Y-33-062	10				
33-251A		PLATE, DISC			
FD01-33-25X	2				
33-261		COVER(R), DUST			
FD01-33-261B	1				
33-261Z		COVER(L), DUST			
FD01-33-271B	1				
34-038		BOLT, DAMPER-REAR			
LA01-34-038	4				

AUFA05

-125-

CAT. AUFA05-03

1995-03



NOTE  
 ① ... ⑦ ⇒ 33-610  
 33-610Z  
 THE D-CODE OF 33-610  
 33-610Z CONSISTS OF  
 FIGURE NUMBERS ① THROUGH ⑦.

NOTE  
 ① ... ⑧ ⇒ 33-98Z  
 33-99Z  
 THE D-CODE OF 33-98Z  
 33-99Z CONSISTS OF  
 FIGURE NUMBERS ① THROUGH ⑧.

NOTE  
 ⑥ ... ⑧ ⇒ 49-240C  
 THE D-CODE OF 49-240C  
 CONSISTS OF  
 FIGURE NUMBERS ⑥ THROUGH ⑧.

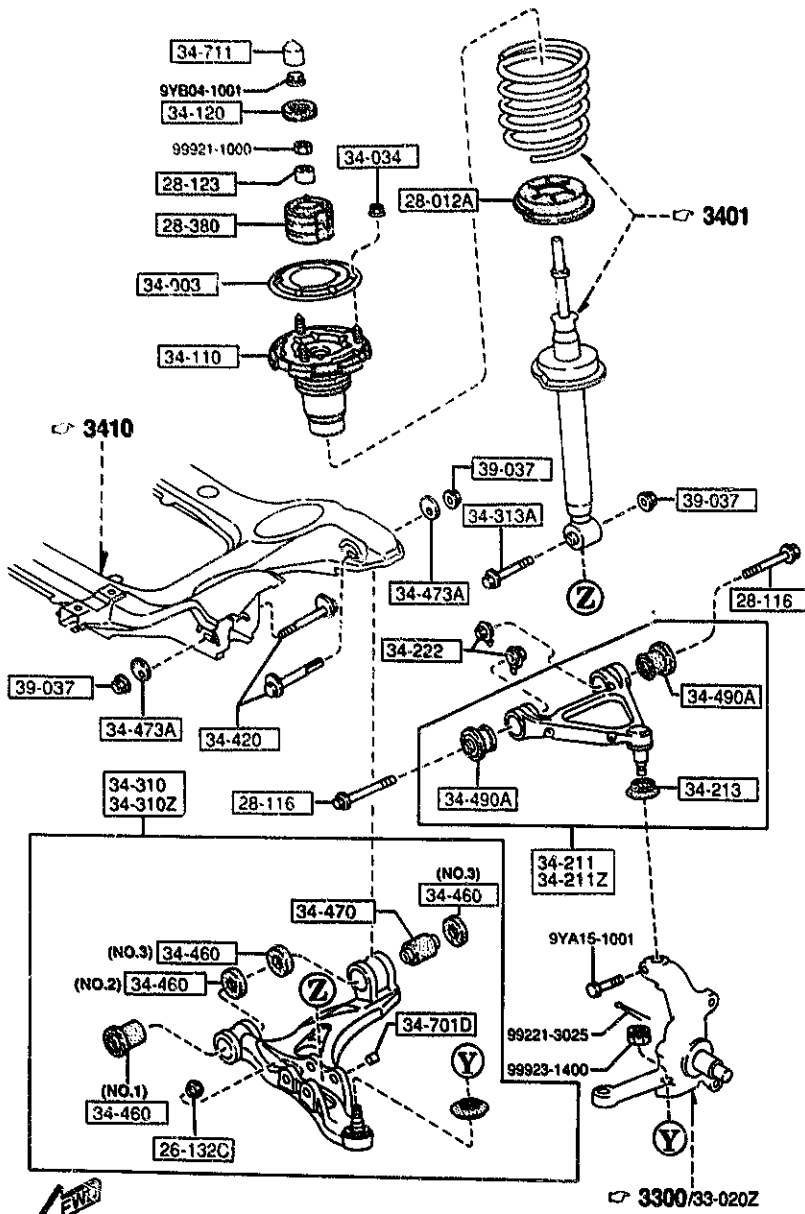
THOUGH ILLUSTRATIONS OF D-CODE 49-240C AND 33-23Z ARE FOR LEFT SIDE ONLY,  
 QUANTITIES OF THESE D-CODES IN THE TEXT ARE FOR ONE VEHICLE.

33-980  
 33-980Z

PART NO.	QTY	MODEL/RESTRICTION	MODEL/RESTRICTION	MODEL/RESTRICTION	FROM TO
33-25Z FD23-33-23Z	1	PAD SET, FRT CALIPER NON ASBESTOS			
33-610 FD01-33-61XA	1	BODY & PISTON(R), CAL IPER			
33-610Z FD01-33-71XA	1	BODY & PISTON(L), CAL IPER			
33-651 FB05-33-651A	8	PISTON, CALIPER-FRT			
33-691 B001-33-691	2	SCREW, BLEEDER			
33-693 FB05-33-693	2	CAP, RUBBER			
33-696A FD01-33-696	4	PIN, PAD-FRONT BRAKE			
33-697 FD01-33-697	8	BOLT, BRIDGE-FRT BRAK E			
33-98Z FD13-33-98Z	1	CALIPER(R), PADLESS-F R			
33-980 FD13-33-980B	1	CALIPER(R), FRT BRAKE			
33-980Z FD13-33-990B	1	CALIPER(L), FRT BRAKE			
33-99Z FD13-33-99Z	1	CALIPER(L), PADLESS-F R			
49-240C FB05-49-240	1	SEAL KIT, CALIPER-FRT			



3400 FRONT SUSPENSION MECHANISMS



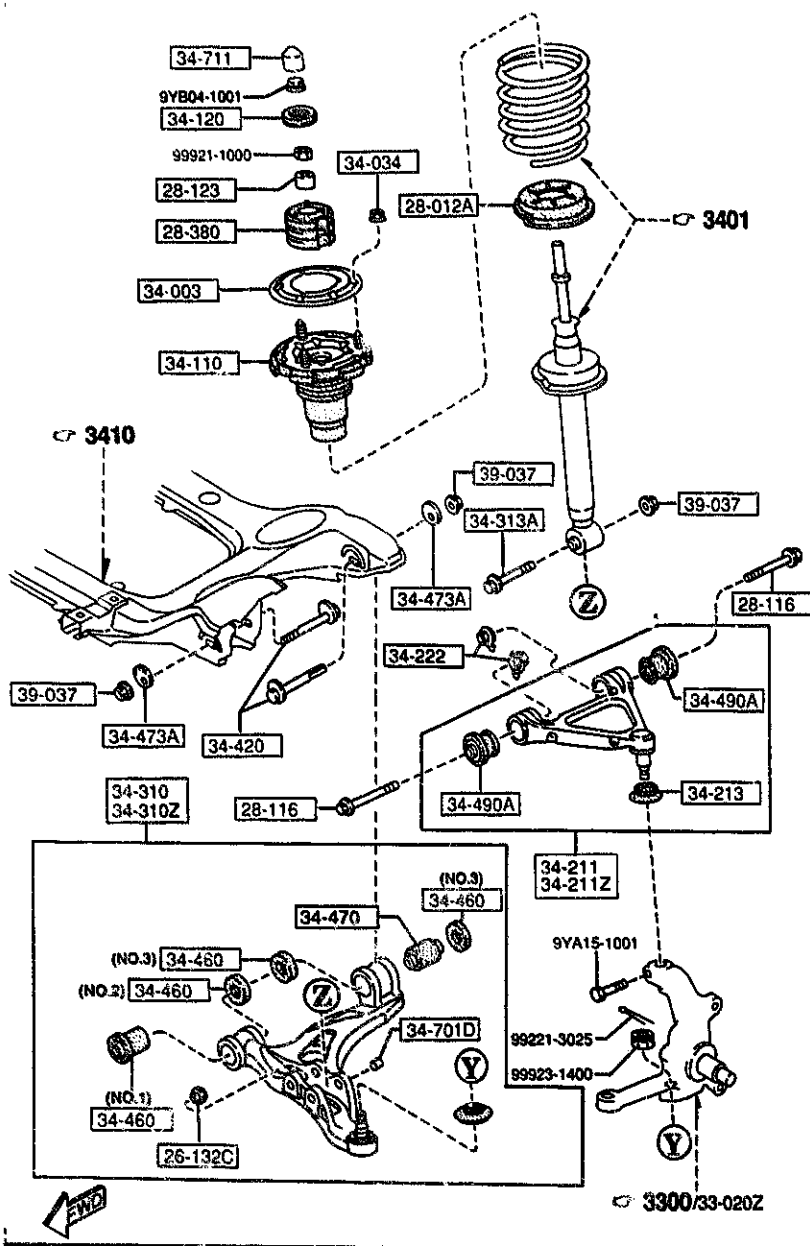
PART NO.	QTY	MODEL/RESTRICTION	MODEL/RESTRICTION	MODEL/RESTRICTION	FROM-TO
26-132C		WASHER, SLEEVE-REAR B			
FB01-26-132	2	RAKE			
28-012A		SHEET, RUBBER			
FD01-28-012	2				
28-116		BOLT			
FD01-28-116	4				
28-123		SPACER			
FD01-28-123A	2				
28-380		RUBBER, MOUNTING			
FD15-28-380A	2				
34-003		SHEET, FRT DAMPER			
FD01-34-003	2				
34-034		NUT, FLANGE			
H380-34-034	6				-4501
AN(H380-34-034A)	6				
H380-34-034A	6				4501-
34-110		BUMPER, BOUND			
FD15-34-110A	2				
FD15-34-110B	2				
34-120		STOPPER			
FD01-34-120	2				
34-211		ARM(R), UPPER			
FD15-34-200	1				
34-211Z		ARM(L), UPPER			
FD15-34-250	1				
34-213		BOOT, BALL JOINT-UP. A			
FD01-34-213	2	RM			
34-222		NUT			
8871-34-222	4				
3A15 FD333*-301059					
4501 FD333*-303535					

AUFA05

CAT. AUFA05-03

1995-03

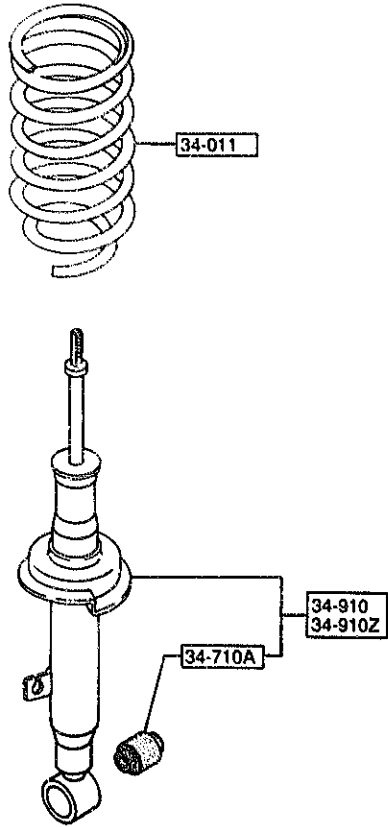
3400 FRONT SUSPENSION MECHANISMS



PART NO.	QTY	MODEL/RESTRICTION	MODEL/RESTRICTION	MODEL RESTRICTION	FROM-TO
34-310		ARM(R), LOWER			
FD15-34-300	1				
34-310Z		ARM(L), LOWER			
FD15-34-350	1				
34-313A		BOLT			
H260-34-313	2				
34-420		BOLT, ADJUST			
FD01-34-420	4				
34-460		BUSH, RUBBER-LWR ARM			
FD01-34-460B	2	(ILLUST. NO.1)			
FD01-34-461	2	(ILLUST. NO.2)			
FD01-34-471A	4	(ILLUST. NO.3)			
34-470		BUSHING, RUBBER-FRT			
FD01-34-470A	2				
34-473A		PLATE, CAM			
FD01-34-473	4				
34-490A		BUSHING, RUBBER			
FD01-34-480A	4				
34-701D		SLEEVE			
FD01-34-701B	2				
34-711		CAP			
FD01-34-711A	2				
39-037		NUT			
B001-39-037B	6				

3401 FRONT SPRING & DAMPER

3401 -1 \* FRONT SPRING & DAMPER



PART NO.	QTY	MODEL/RESTRICTION	MODEL/RESTRICTION	MODEL/RESTRICTION	FROM-TO
34-011		SPRING, COIL-FRONT			
FD01-34-011	2	((MT))>(W/O SUN-RF) ((MT))>(GLASS SUN-RF)			
FD17-34-011	2	(AT) ((MT))>(STEEL SUN-RF)			
34-710A		BUSHING, DAMPER-LOWER			
FD01-34-710A	2				
34-910		DAMPER(R), FRONT			
FD15-34-700A	1	(NOR. SUSP)			
FD16-34-700A	1	(HARD SUSP)			
34-910Z		DAMPER(L), FRONT			
FD15-34-900A	1	(NOR. SUSP)			
FD16-34-900A	1	(HARD SUSP)			



AUFA05

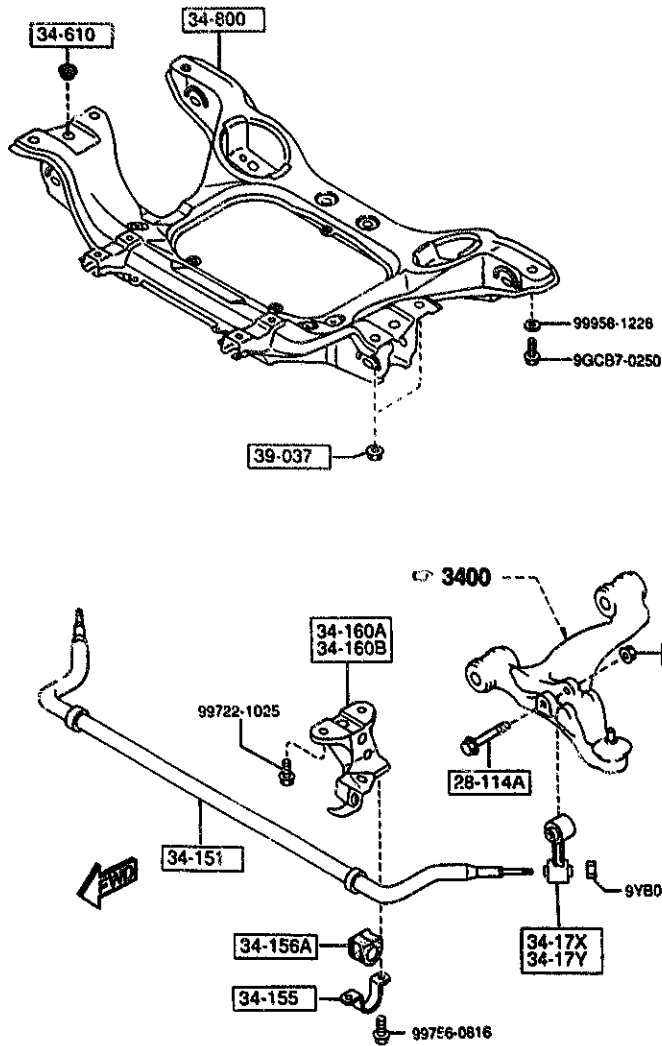
-131-

CAT. AUFA05-03

1995-03

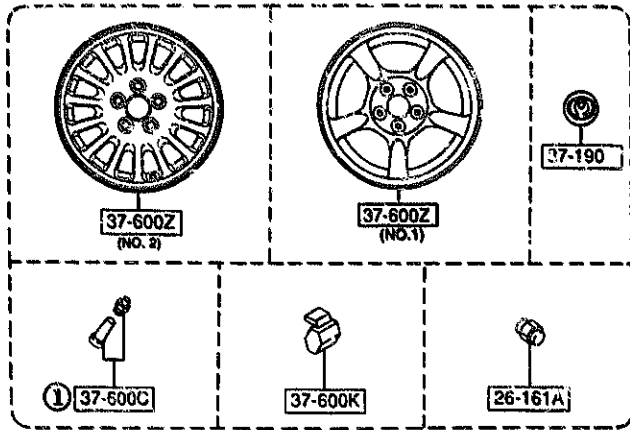
3410 CROSSMEMBER & STABILIZER

3410 -1 K CROSSMEMBER & STABILIZER

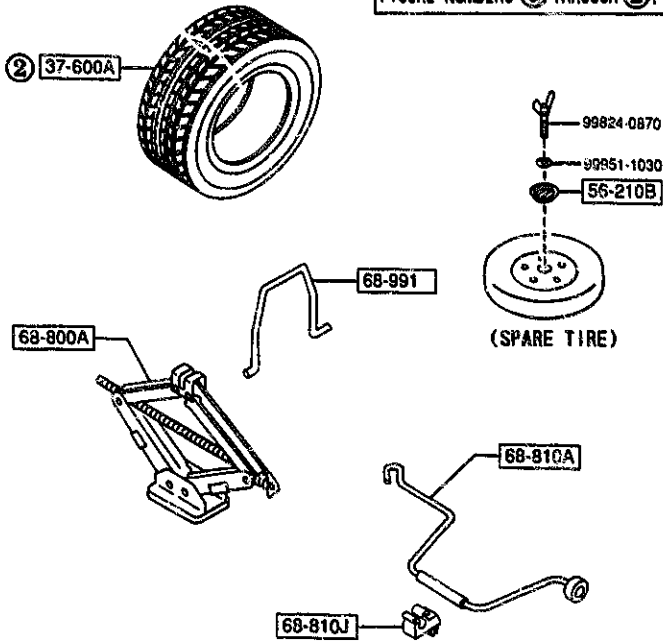


PART NO.	QTY	MODEL/RESTRICTION	MODEL/RESTRICTION	MODEL/RESTRICTION	FRGM-TO
28-114A		BOLT			
FD01-28-114	2				
34-151		STABILIZER, FRONT			
FD01-34-151A	1				
34-155		PLATE, STABILIZER			
FD01-34-155	2				
34-156A		RUBBER, STAB -FRT			
FD01-34-156	2				
34-160A		BRACKET, STABILIZER			
FD01-34-160D	1 (FOR RIGHT)				
34-160B		BRACKET, STABILIZER			
FD01-34-180C	1 (FOR LEFT)				
34-17X		LINK(R), FRONT STABILIZER			
FD01-34-17X	1				
34-17Y		LINK(L), FRONT STABILIZER			
FD01-34-19X	1				
34-222		NUT			
8871-34-222	2				
34-610		RUBBER, MOUNTING			
FD01-34-610A	2				
34-800		MEMBER, CROSS			
FD01-34-800G AN(FD01-34-800H)	1				-3A05
FD01-34-800H	1				3A05-
39-037		NUT			
8001-39-037B	4				
3A05 FD333K-300921					

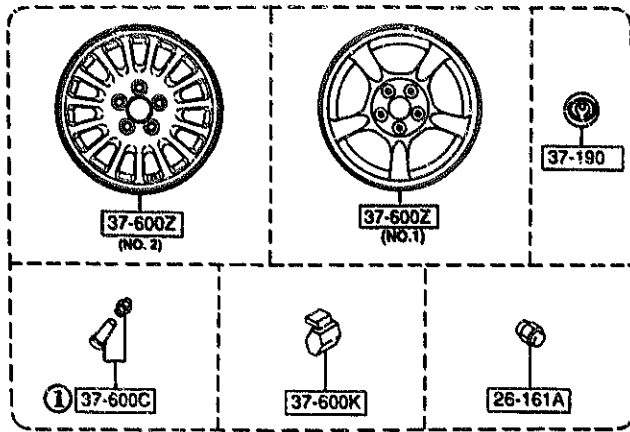




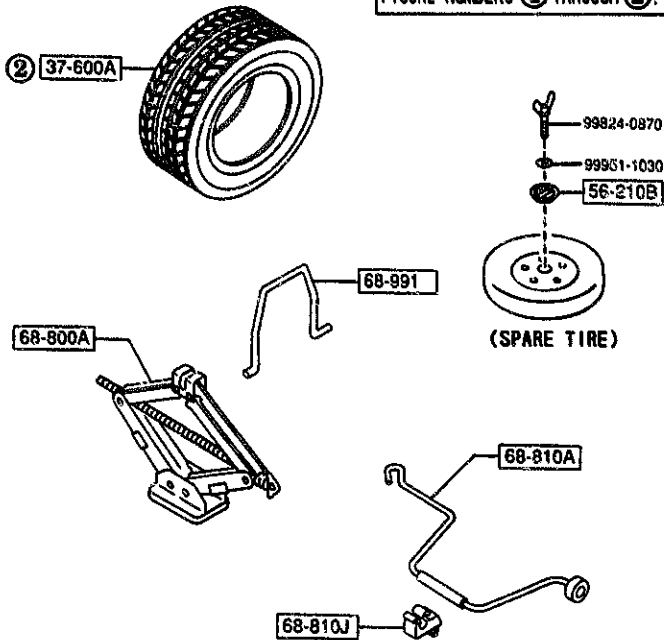
**NOTE**  
 ①-② ⇔ 37-600X  
 THE D-CODE OF 37-600X CONSISTS OF  
 FIGURE NUMBERS ① THROUGH ②.



PART NO.	QTY	MODEL/RESTRICTION	MODEL/RESTRICTION	MODEL/RESTRICTION	FROM-TO
26-161A		NUT, HUB			
8002-37-166	20	PLATED			
37-190		CAP, CENTER			
FD01-37-191B	4				
37-600A		TIRE			
90620-17636	1	T135/70D16 8S			
90622-65726	4	225/50R16 {(MT)>(A,TR. SUSP)>(GL ASS SUN-RF)}			
90623-25726	4	225/50R16 {(MT)>(NDR. SUSP)>(N/ O SUN-RF)} {(MT)>(NDR. SUSP)>(ST EEL SUN-RF)}			
90623-35726	4	225/50R16 (AT)			
37-600C		VALVE, AIR			
99636-04130	5	TR413			
37-600K		WEIGHT, DISC WHEEL-AL UMI			
99655-90005	4	5G FOR 1-PIECE WHL			
99655-90010	4	10G FOR 1-PIECE WHL			
99655-90015	4	15G FOR 1-PIECE WHL			
99655-90020	4	20G FOR 1-PIECE WHL			
99655-90025	4	25G FOR 1-PIECE WHL			
99655-90030	4	30G FOR 1-PIECE WHL			
99655-90035	4	35G FOR 1-PIECE WHL			
99655-90040	4	40G FOR 1-PIECE WHL			
99655-90045	4	45G FOR 1-PIECE WHL			
99655-90050	4	50G FOR 1-PIECE WHL			

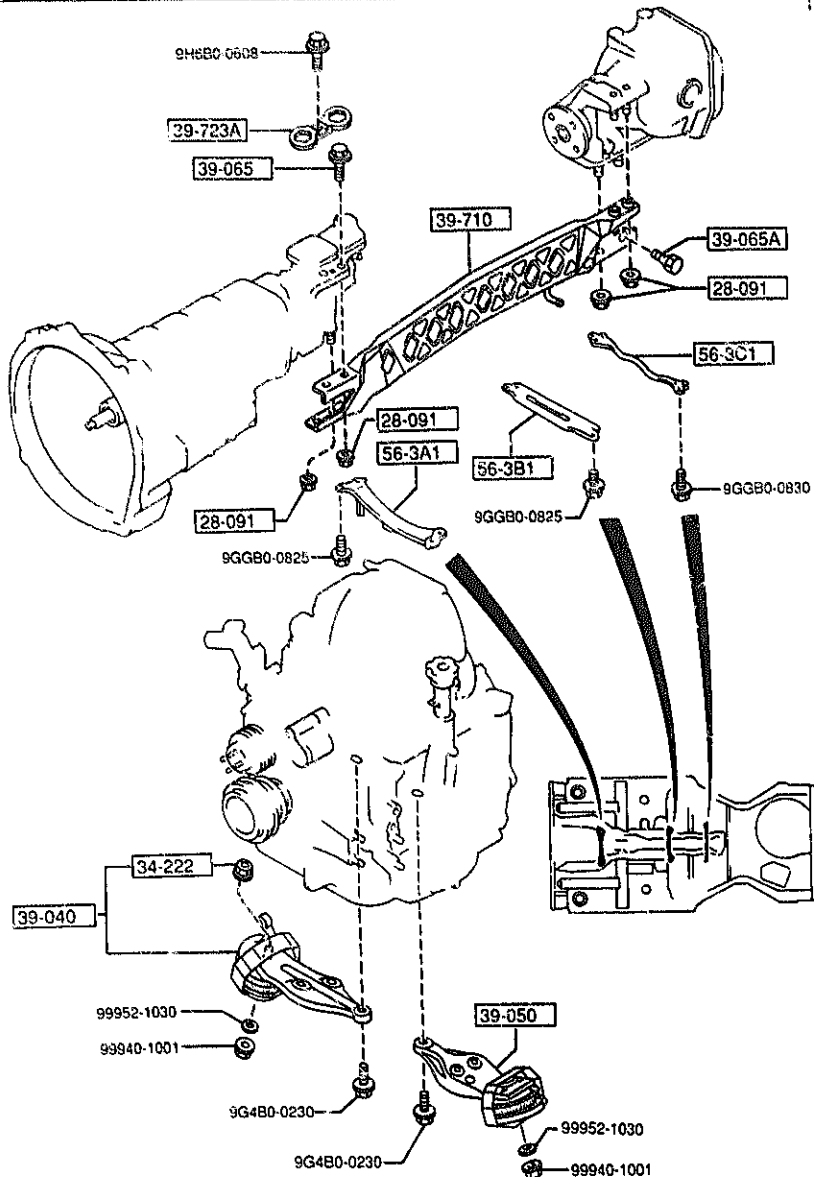


**NOTE**  
 ① - ② ⇒ 37-600X  
 THE D-CODE OF 37-600X CONSISTS OF  
 FIGURE NUMBERS ① THROUGH ②.



PART NO.	QTY	MODEL/RESTRICTION	MODEL/RESTRICTION	MODEL/RESTRICTION	FROM-TO
CONT'D					
99655-90055	4	550 FOR 1-PIECE WHL			
99655-90060	4	600 FOR 1-PIECE WHL			
37-600X		TIRE & AIR VALVE			
90692-55726	4	((MT)>(HARD SUSP) )			
37-600Z		WHEEL, DISC-ALUMI.			
99650-28060	4	8JX16 P=114/0=50 (ILLUST. NO.1) (MT)			
99650-58060	4	8JX16 P=114/0=50 (ILLUST. NO.1) (AT)			
99651-94060	1	4TX16 P=114/0=40 (ILLUST. NO.2)			
56-210B		CLAMP, SPARE TIRE			
FB01-56-971	1				
68-800A		JACK			
FD01-37-790A	1				
68-810A		HANDLE, JACK			
FD01-37-810	1				
68-810J		HOLDER, JACK HANDLE			
FD01-56-171A	1				
68-991		WIRE			
FD01-56-172	1				

3900 ENGINE & T/MISSION MOUNTINGS



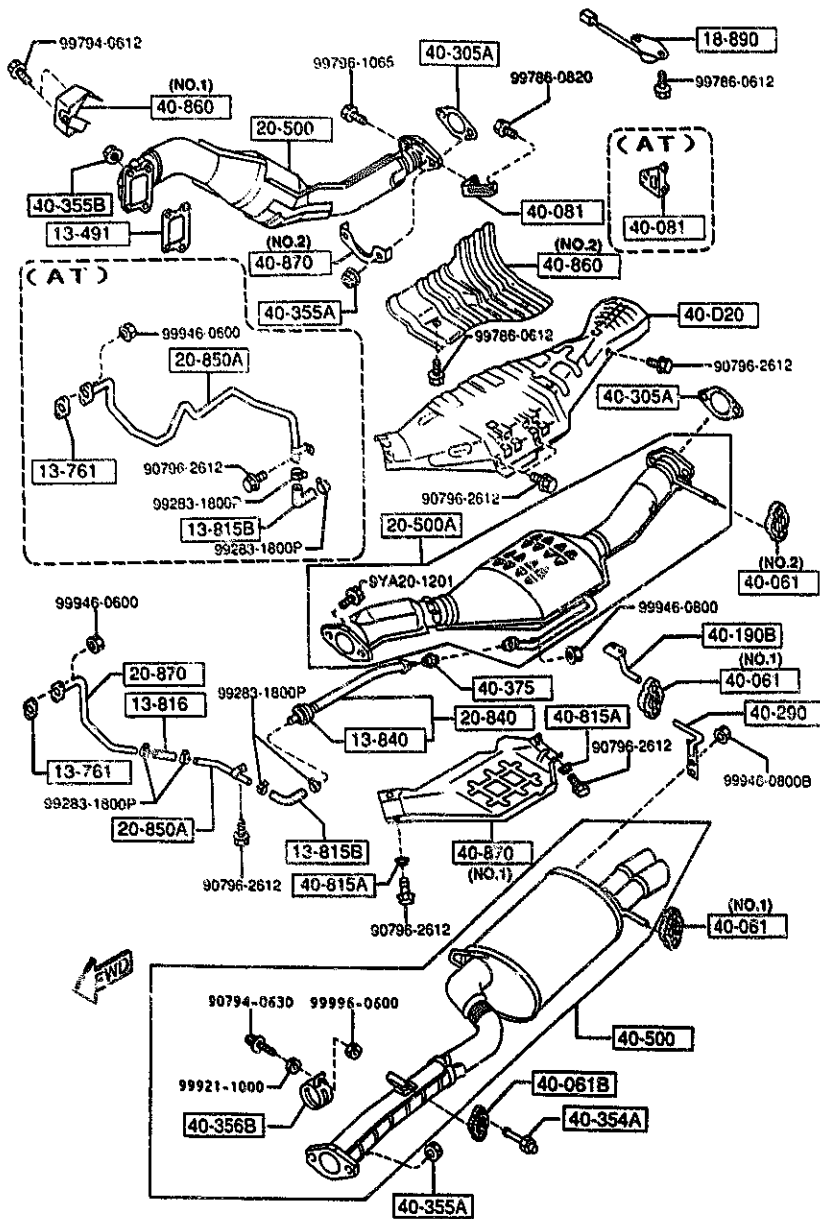
PART NO.	QTY	MODEL/RESTRICTION	MODEL/RESTRICTION	MODEL/RESTRICTION	FROM-TO
28-091		NUT			
FB01-28-091A	8				
34-222		NUT			
8871-34-222	1				
39-040		RUBBER(R),ENGINE MT.			
FD01-39-040C	1				
39-050		RUBBER(L),ENGINE MT.			
FD01-39-050A	1				
39-065		BOLT			
FD01-39-065	2				
39-065A		BOLT			
FD01-39-066	1				
39-710		FRAME,POWER PLANT			
FD01-39-710B AN(FD01-39-710C)	1				-3A14
FD31-39-710C	1				3A14-
39-723A		STOPPER			
FD01-39-723	1				
56-3A1		MEMBER 'A', TUNNEL			
FD01-56-3A1	1				
56-3B1		MEMBER 'B', TUNNEL			
FD01-56-3B1	1				
56-3C1		MEMBER 'C', TUNNEL			
FD01-56-3C1D	1				
3A14 FD333*-301042					

AUFA05

CAT. AUFA05-03

1995-03

4000 EXHAUST SYSTEM



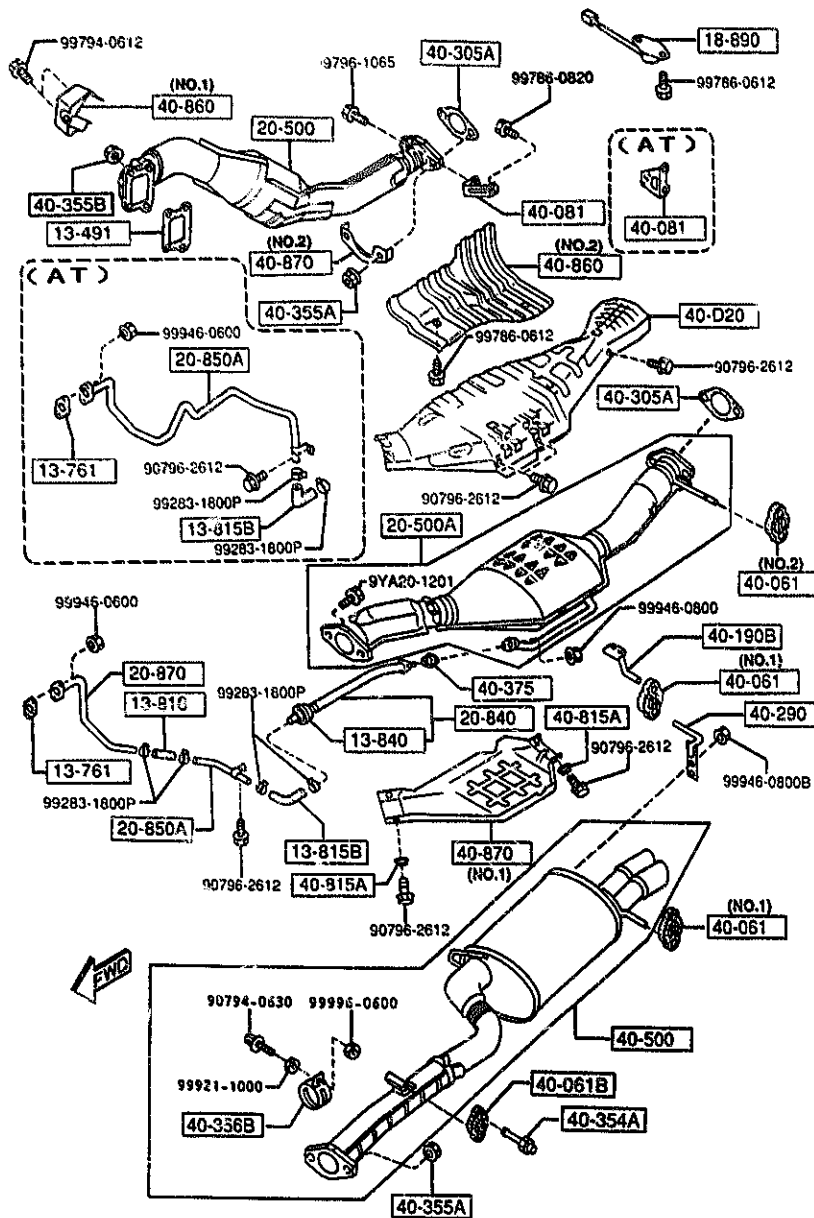
4000 -1 EXHAUST SYSTEM

PART NO.	QTY	MODEL/RESTRICTION	MODEL/RESTRICTION	MODEL/RESTRICTION	FROM-TO
13-491					
NSA1-13-491	1	GASKET, JOINT PIPE			
13-761					
NS86-13-535	1	GASKET NON ASBESTOS			
13-815B					
NSA1-13-815A	1	HOSE, AIR	(AT)		
NSA7-13-815	1	HOSE, AIR	(MT)		
13-816					
NSA1-13-816A	1	HOSE, AIR	(MT)		
13-840					
NSA2-13-840	1	VALVE, CHECK			
18-890					
NSA1-18-890	1	SWITCH, THERMO			
20-500					
NSA1-20-500	1	CONVERTER, CATALYST	(MT)		
NSA2-20-500	1	CONVERTER, CATALYST	(AT)		
20-500A					
NSA1-20-600	1	CATALYST, THREE WAY	(MT)		
NSA2-20-600	1	CATALYST, THREE WAY	(AT)		
20-840					
NSA2-20-840B	1	PIPE, AIR			
20-850A					
NSA1-20-850A	1	PIPE, AIR	(MT)		
N3C2-20-850	1	PIPE, AIR	(AT)		
20-870					
NSB7-20-870B	1	PIPE, AIR	(MT)		
40-D20					
NSA1-40-D20F	1	INSULATOR, CONVERTER			

AUFA05

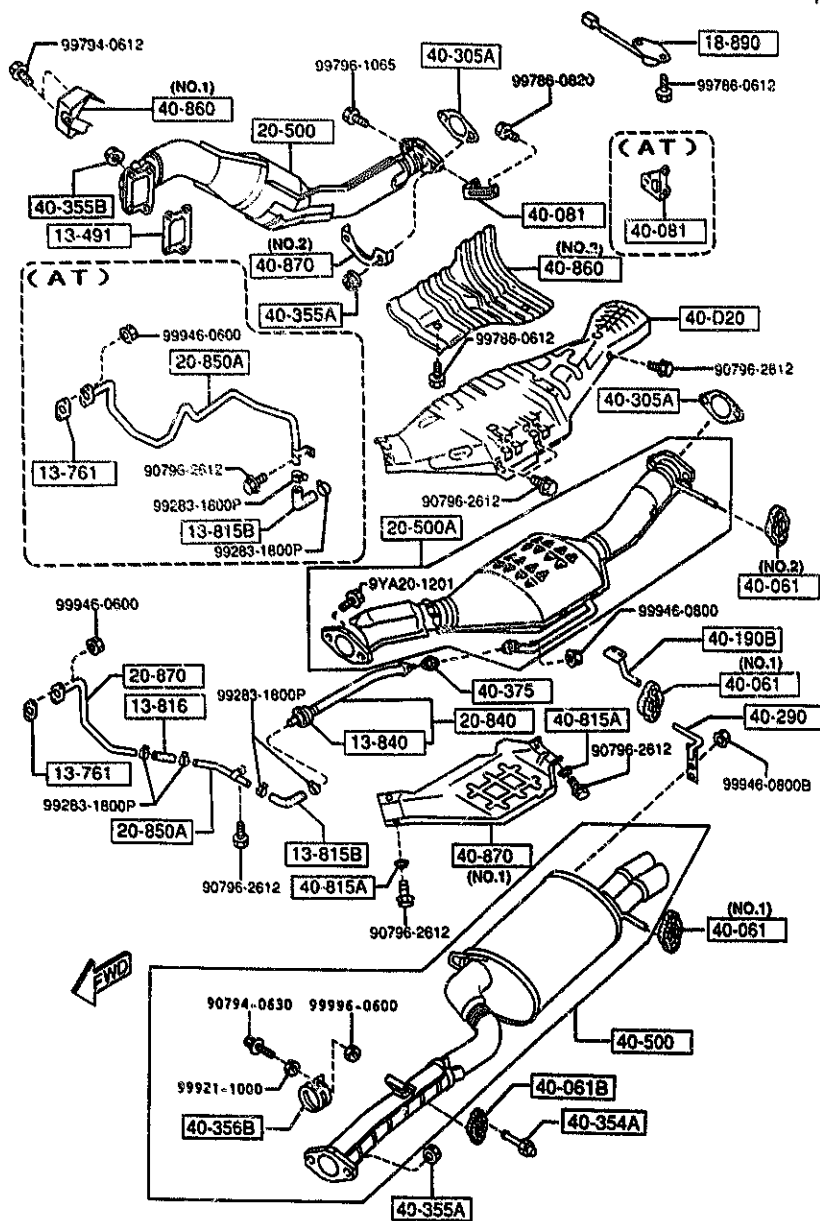
CAT. AUFA05-03

1995-03



PART NO.	QTY	MODEL/RESTRICTION	MODEL/RESTRICTION	MODEL/RESTRICTION	FROM-TO
40-061		HANGER, SILENCER			
N3A2-40-061A	1	(ILLUST. NO.2)			-4307
N3A1-40-061C A (N3A1-40-061D)	2				4307-
N3A1-40-061D	2	(ILLUST. NO.1)			
40-061B		RUBBER, HANGER			
FE20-40-061	1				
40-081		BRACKET, HANGER			
N3A1-40-080A	1	(MT)			
N3A2-40-080	1	(AT)			
40-190B		BRACKET, HANGER			
N3A1-40-190	1				
40-290		HANGER			
N3A1-40-290	1				
40-305A		GASKET			
RF36-40-305	2	NON ASBESTOS			
40-354A		BOLT			
N3A1-40-354	1				
40-355A		NUT			
JE11-40-355	4				
40-355B		NUT			
JE10-40-355	4				
40-356B		BAND			
N3A8-40-356	1				
40-375		GASKET			
N378-40-307	1				
40-500		SILENCER, MAIN			
N3C1-40-100A	1	(MT)			
N3C2-40-100A	1	(AT)			
4307 FD333#-302860					

4000 EXHAUST SYSTEM



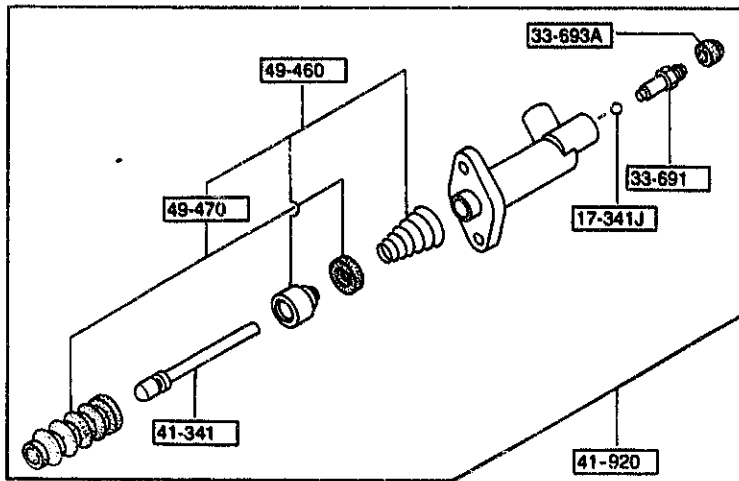
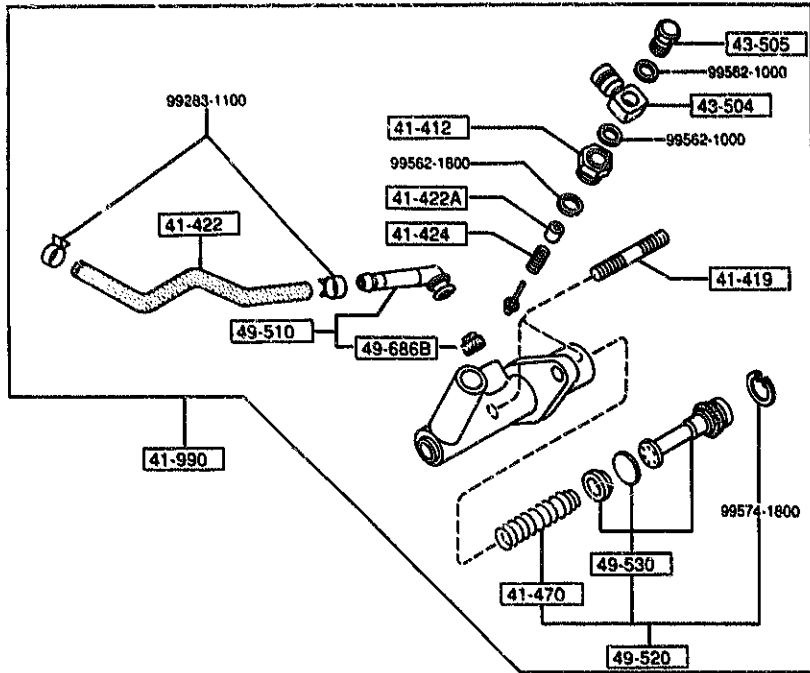
PART NO.	QTY	MODEL/RESTRICTION	MODEL/RESTRICTION	MODEL/RESTRICTION	FROM-TO
40-815A		WASHER			
8545-40-815	2				
40-860		PROTECTOR, CONVERTER			
N3C1-40-860	1	(ILLUST. NO.1)			
N3A1-40-865A	1	(ILLUST. NO.2)			
40-870		PROTECTOR			
N3A1-40-870B	1	(ILLUST. NO.1)			
N3A1-40-872	1	(ILLUST. NO.2)			

AUFA05

CAT. AUFA05-03

1995-03

4140 CLUTCH RELEASE & MASTER CYLINDERS (MANUAL TRANSMISSION)



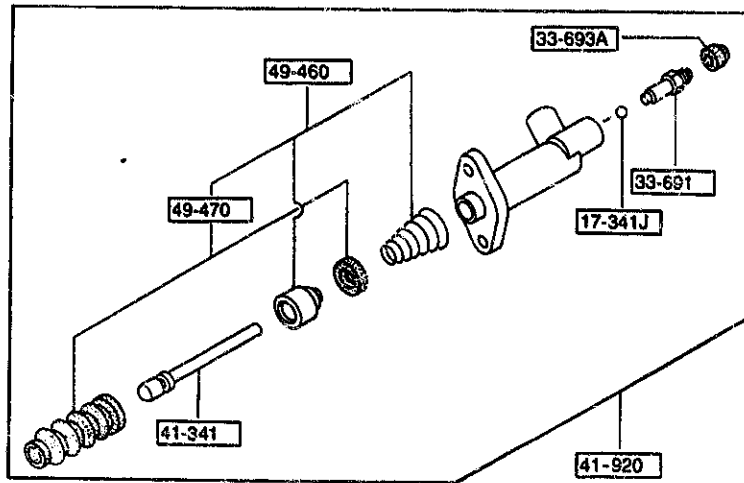
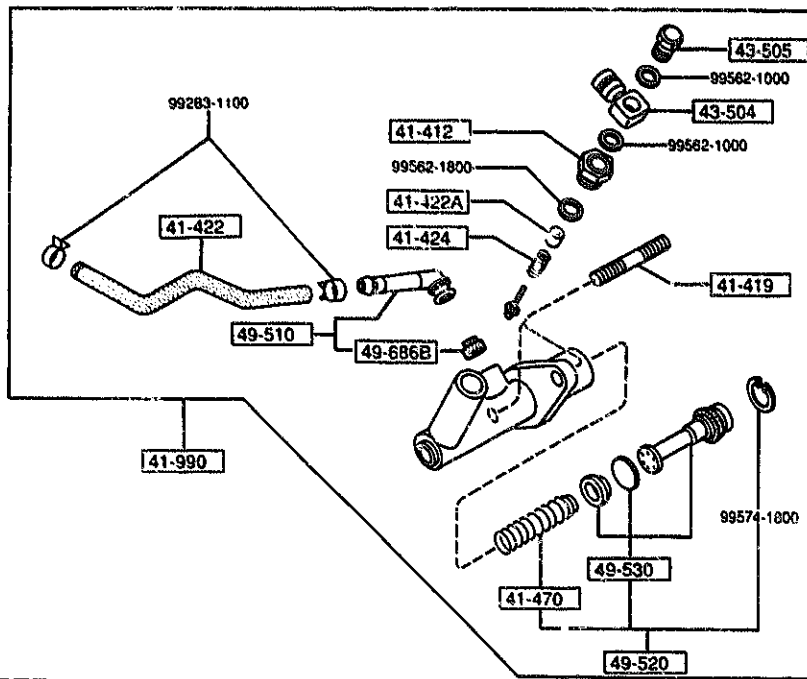
AUFA05

PART NO.	QTY	MODEL/RESTRICTION	MODEL/RESTRICTION	MODEL/RESTRICTION	FROM-TO
17-341J	1	BALL, STEEL			
99611-1500	1				
33-691	1	SCREW, BLEEDER			
0259-33-691	1				
33-693A	1	CAP, BLEEDER SCREW			
0259-33-693	1				
41-341	1	ROD, PUSH			
H266-41-341	1				
41-412	1	BOLT, JOINT			
G091-41-412	1				
41-419	2	STUD, CLUTCH CYL.			
FD01-41-419	2				
41-422	1	HOSE, RESERVE			
F100-41-421	1				
41-422A	1	PISTON, O.W. VALVE			
081-41-422D	1				
41-424	1	SPRING, O.W. VALVE			
H005-41-424	1				
41-470	1	SPRING			
8312-41-470	1				
41-920	1	CYL., CLUTCH RELEASE			
FD01-41-920	1				
41-990	1	CYL., CLUTCH MASTER			
F100-41-990B	1				
43-504	1	JOINT, PIPE			
W023-43-504	1				
43-505	1	BOLT, CONNECTOR			
W023-43-505	1				

CAT. AUFA05-03

1995-03

4140 CLUTCH RELEASE & MASTER CYLINDERS (MANUAL TRANSMISSION)



PART NO.	QTY	MODEL/RESTRICTION	MODEL/RESTRICTION	MODEL/RESTRICTION	FROM-TO
49-460		PARTS KIT, INNER			
H005-49-460	1				
49-470		SEAL KIT			
H005-49-470	1				
49-510		BUSH SET			
W001-49-510	1				
49-520		PARTS KIT, INN.-CLUTC H			
B312-41-522	1				
49-530		SEAL KIT			
B312-41-532	1				
49-686B		BUSH, ELBOW JOINT			
0839-49-686A	1				



AUFA05

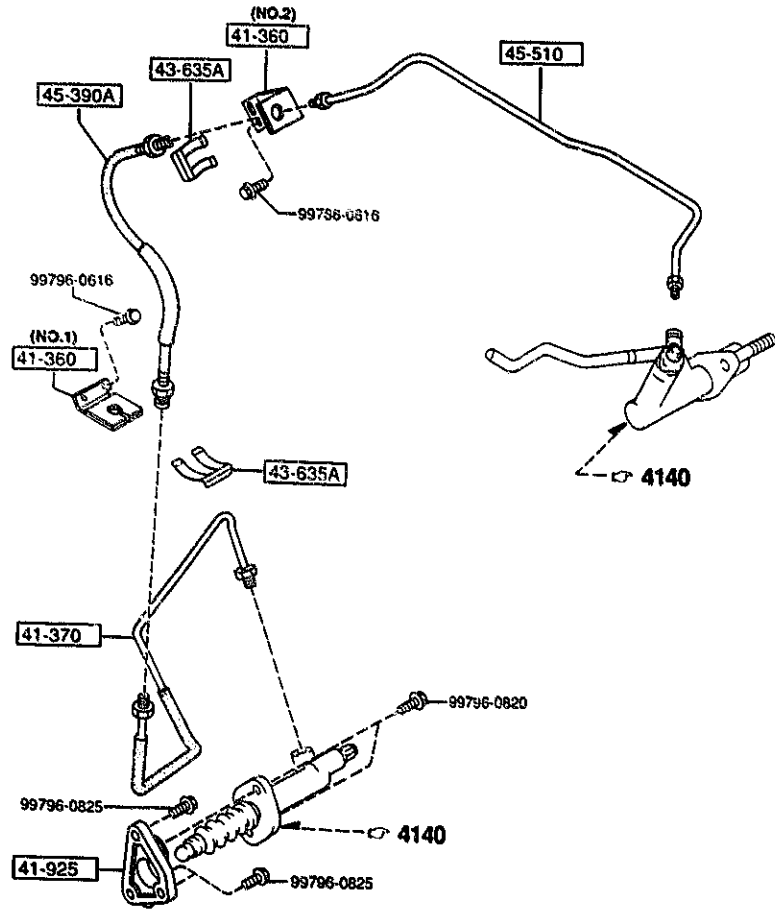
CAT. AUFA05-03

1995-03



4145 CLUTCH PIPINGS (MANUAL TRANSMISSION)

4145 -1 \* CLUTCH PIPINGS (MANUAL TRANSMISSION)



PART NO.	QTY	MODEL/RESTRICTION	MODEL/RESTRICTION	MODEL/RESTRICTION	FRGM-TO
41-360		HOLDER, CLUTCH			
FD03-41-370	1	(ILLUST. NO.1)			
F100-41-370	1	(ILLUST. NO.2)			
41-370		PIPE, CLUTCH			
FD01-41-360A	1				
41-925		SUPPORT, CLUTCH RELEASE			
NS15-16-921	1				
43-635A		CLIP, FLEXIBLE HOSE			
0136-43-635	2				
45-390A		HOSE, CLUTCH FLEXIBLE			
HE01-45-540	1				
45-510		PIPE, CLUTCH			
FD01-45-510D	1				



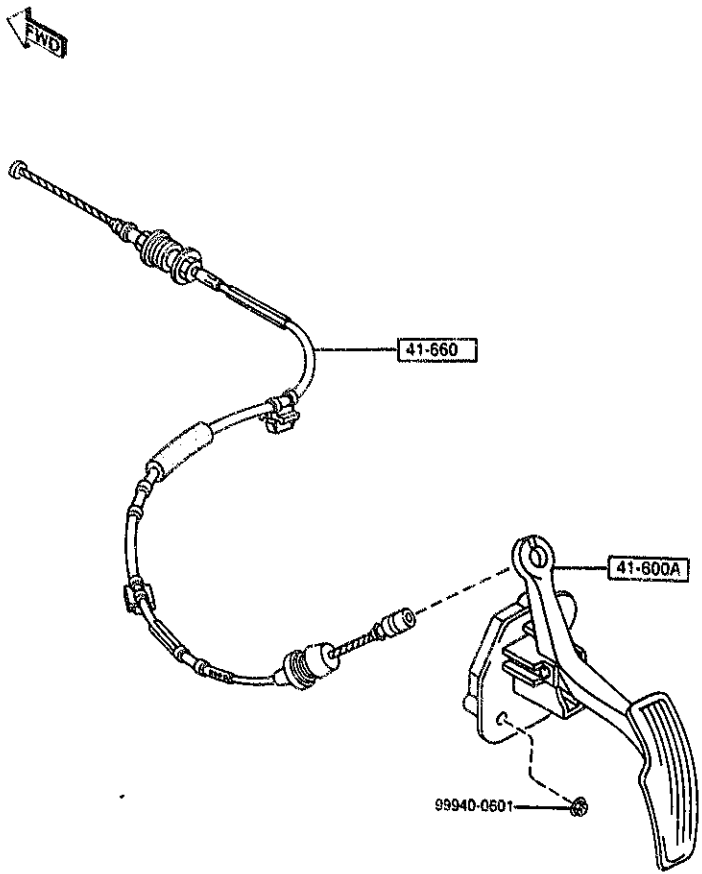
AUFA05

CAT. AUFA05-03

1995-03

4160 ACCELERATOR CONTROL SYSTEM

4160 -1 \* ACCELERATOR CONTROL SYSTEM



PART NO.	QTY	MODEL/RESTRICTION	MODEL/RESTRICTION	MODEL/RESTRICTION	FROM-TO
41-600A		PEDAL, ACCEL.			
FD01-41-600B	1				
41-660		CABLE, ACCEL.			
FD01-41-660B	1				

AUFA05

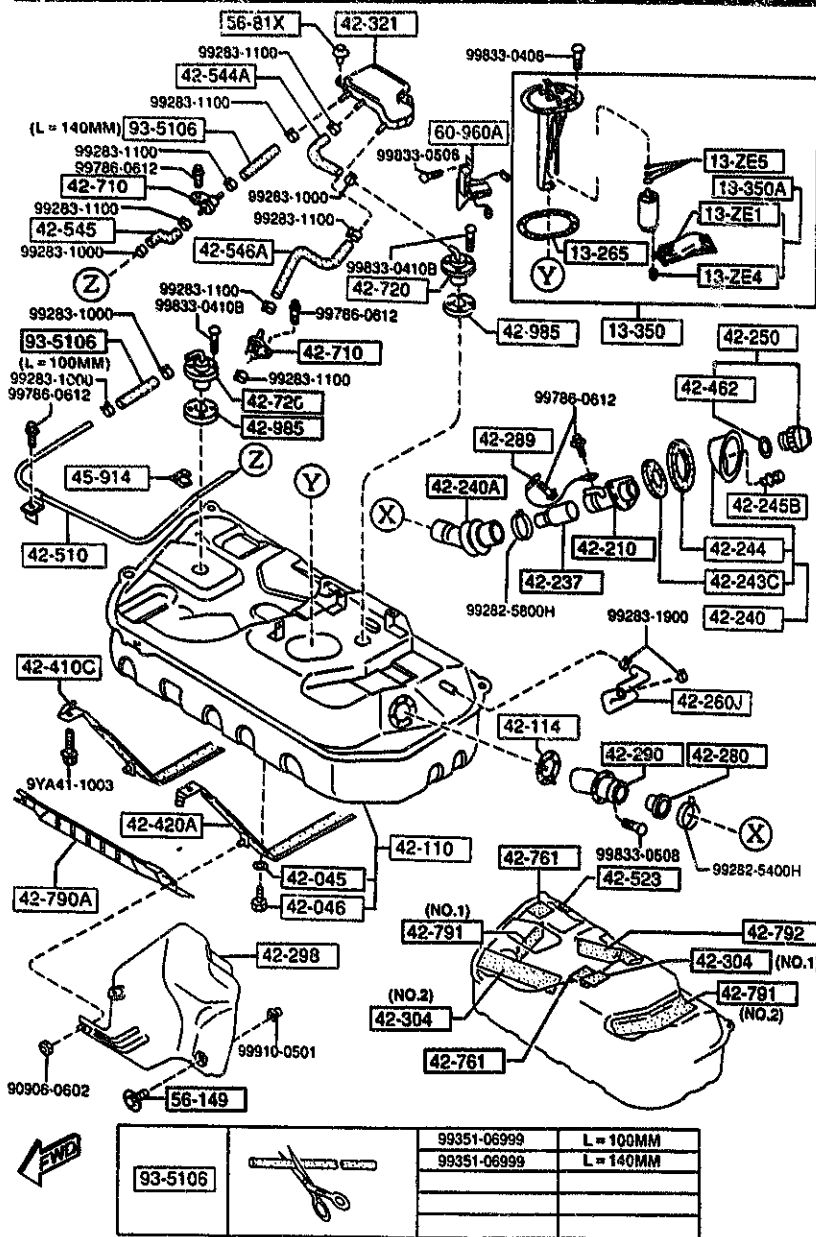
CAT. AUFA05-03

1995-03

2-J 6

4200 FUEL TANK

4200 -1 FUEL TANK



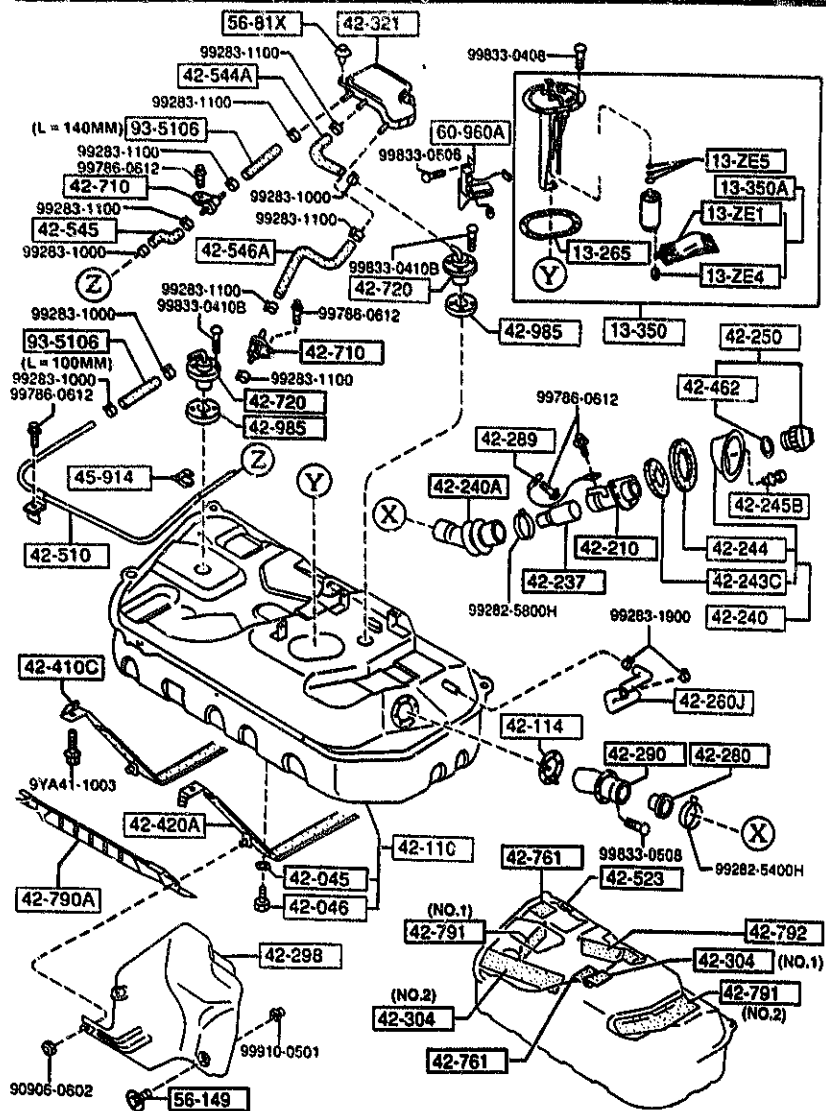
PART NO.	QTY	MODEL/RESTRICTION	MODEL/RESTRICTION	MODEL/RESTRICTION	FROM-TO
13-ZE1		FILTER, FUEL PUMP			
JE17-13-ZE1	1	DENSO			
13-ZE4		WASHER, LOCK-PUMP FILTER			
FEH2-13-ZE4	1	NIPPONDENSO (JAPAN)			
13-ZE5		RING, 'O'-FUEL PUMP			
BP02-13-ZE5	1				
13-265		GASKET			
H030-60-962	1				
13-350		PUMP, FUEL			
NSA1-13-35Z	1				
13-350A		PUMP, FUEL-SUB			
NS90-13-350	1				
42-045		GASKET, DRAIN PLUG			
0866-42-046	1				
42-046		PLUG, DRAIN			
B596-42-045	1				
42-110		TANK, FUEL			
FD15-42-110	1				-4525
A (FD15-42-110A)					
FD17-42-110A	1				-4525
A (FD17-42-110B)					
*FD15-42-110A	1 (MT)				4525-
*FD17-42-110B	1 (AT)				4525-
42-114		GASKET, FILLER PIPE/TANK			
H031-42-114	1				
42-210		PIPE, FILLER			
FD01-42-210A	1				
42-237		PIPE, INNER			
FD01-42-237	1				
4525 FD333M-303554					

AUFA05

CAT. AUFA05-03

1993-03

4200 FUEL TANK



PART NO.	QTY	MODEL/RESTRICTION	MODEL/RESTRICTION	MODEL/RESTRICTION	FROM-TO
42-240		COVER, DUST			
FD01-42-24Z	1				
42-240A		HOSE, JOINT-FILLER PIPE			
FD01-42-231A	1				
42-243C		GASKET 'A', REINFORCEMENT			
GE60-42-243	1				
42-244		GASKET 'B', DUST COVER			
FD01-42-244	1				
42-245B		BOLT, DUST COVER			
H260-42-245A	2				
42-250		CAP, FILLER			
UE54-42-250	1				
42-260J		HOSE, BREATHER			
FD01-42-252	1				
42-280		VALVE, NON RETURN			
D061-42-270	1				
42-289		WIRE, EARTH-FILLER PIPE			
FD01-42-289	1				
42-290		PIPE, FILLER NO.2			
FD17-42-11X	1 (AT)				
H030-42-11X	1 (MT)				
FD17-42-11X	1 (MT)				
42-298		PROTECTOR, FILLER HOSE			
FD01-42-298	1				
42-304		PAD, FUEL TANK			
B455-42-761	1 (ILLUST. NO.1)				
FD01-42-762	1 (ILLUST. NO.2)				

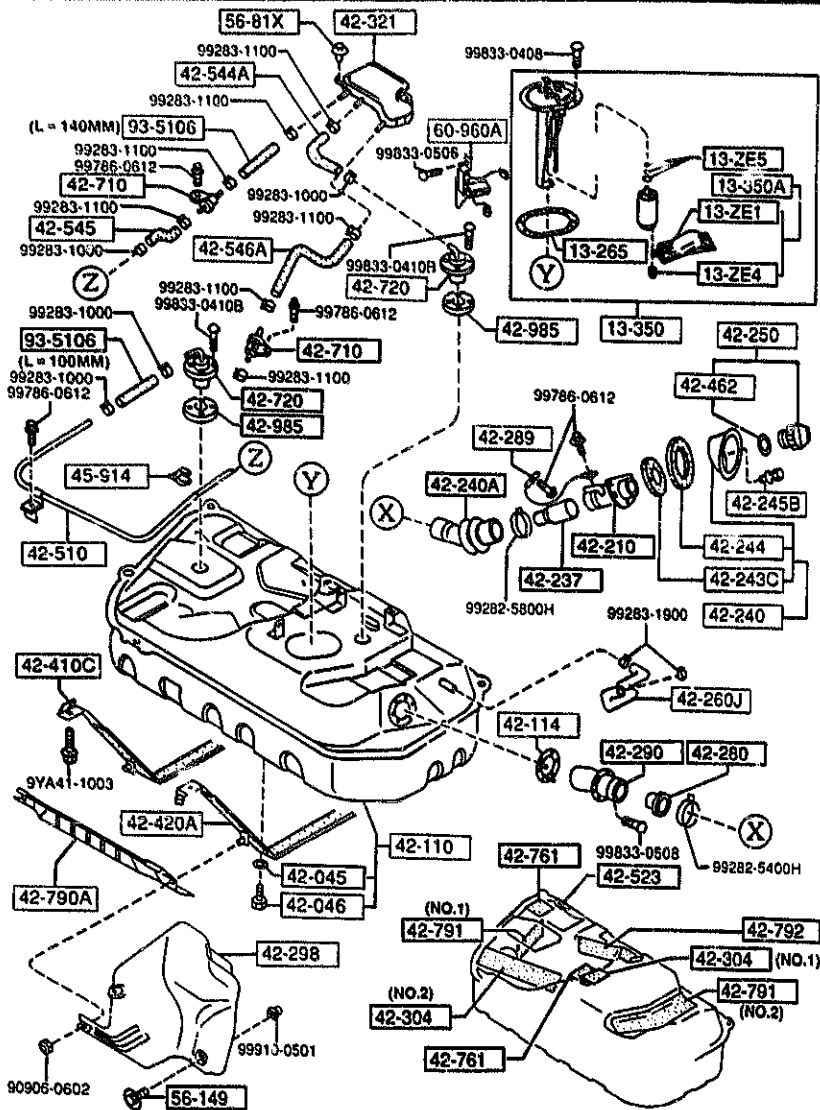
4106 FD333M-301753

AUFA05

CAT. AUFA05-03

1995-03

4200 FUEL TANK



93-5106		99351-06999	L = 100MM
		99351-06999	L = 140MM

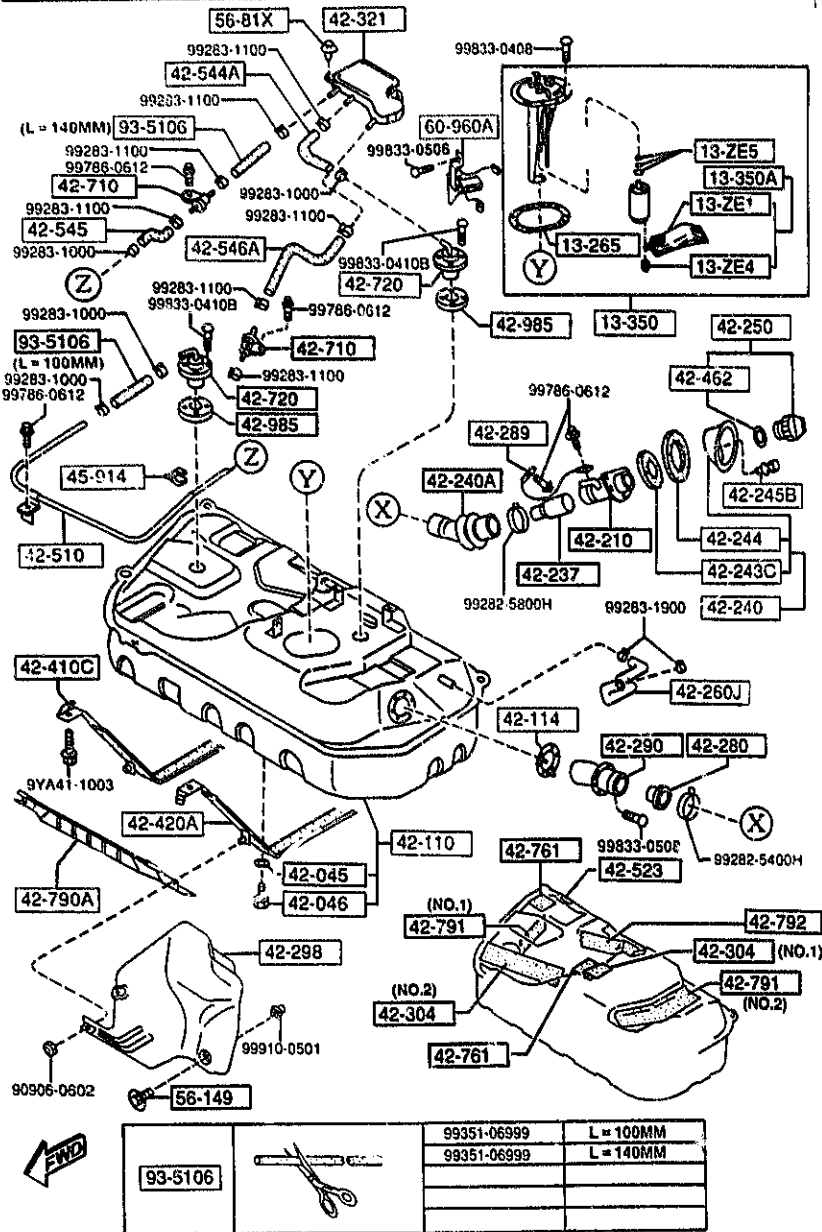
PART NO.	QTY	MODEL/RESTRICTION	MODEL/RESTRICTION	MODEL/RESTRICTION	FROM TO
42-321		SEPARATOR, LIQ. VAPOR			
FD01-42-541	1				
42-410C		BAND(R), TANK FIX.			
FD01-42-710	1				
42-420A		BAND(L), TANK FIX.			
FD01-42-720	1				
42-462		GASKET, CAP			
BF67-42-252	1				
42-510		PIPE, FUEL			
FD01-42-510A	1				
42-523		PAD, FUEL TANK			
FD01-42-767	1				
42-544A		HOSE, FUEL-SEPARATOR			
FD01-42-544	1				
42-545		HOSE, FUEL			
FD01-42-545	1				
42-546A		HOSE, FUEL-SEPARATOR			
FD01-42-546	1				
42-710		VALVE, CHECK			
J001-42-910A	2				
42-720		VALVE, FUEL VAPOR.			
BC1M-42-980	2 (MT)				
FB01-42-980	2 (AT)				
42-761		PAD			
FD01-42-761	2				
42-790A		PROTECTOR, FUEL TANK			
FD01-42-790	1				

AUFA05

CAT. AUFA05-03

1995-03

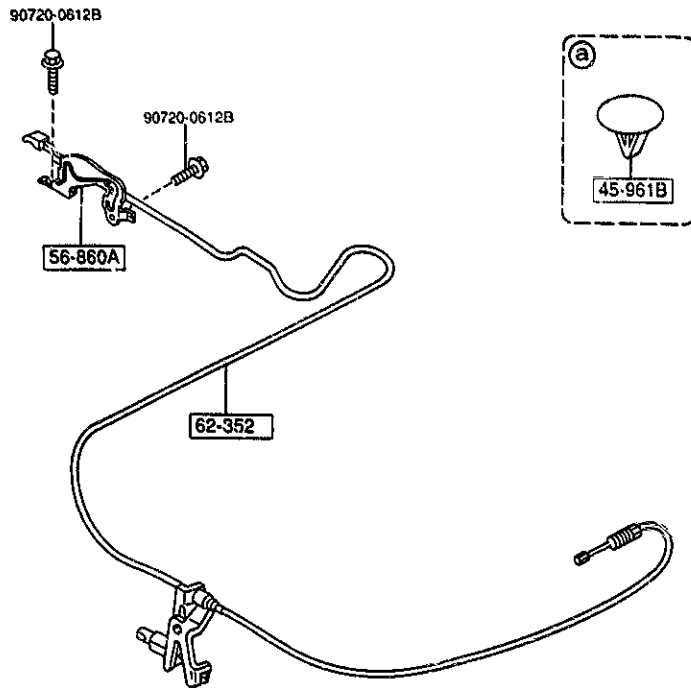
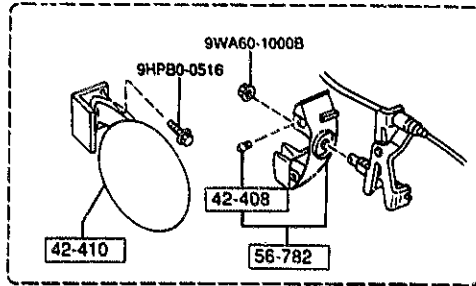
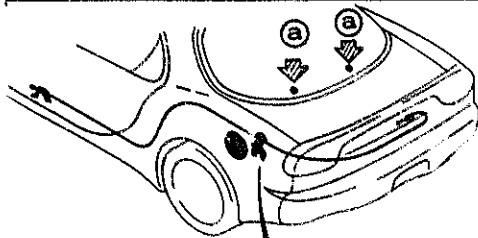
4200 FUEL TANK



PART NO.	QTY	MODEL/RESTRICTION	MODEL/RESTRICTION	MODEL/RESTRICTION	FROM TO
42-791		PAD, FUEL TANK			
8529-42-763	1	NISSHO (ILLUST. NO.1)			
FD01-42-763	1	MOLTEN (ILLUST. NO.2)			
42-792		PAD, FUEL TANK			
FD01-42-768	1				
42-985		GASKET, VAPOR VALVE			
FB01-42-985	2 (AT)				
45-914		HOLDER, PIPE			
FB01-45-914	1	NIFUKO			
56-149		SCREW, TAPPING-MUD GUARD			
B455-56-149	3				
56-81X		FASTENER, DUCT PANEL			
FB01-56-81X	2				
60-960A		GAUGE, FUEL TANK			
FD01-60-960A	1 (MT)				
FD17-60-960	1 (AT)				
93-5106		HOSE			
99351-06999	1				

4210 -1 \* FUEL LID OPENER

4210 FUEL LID OPENER



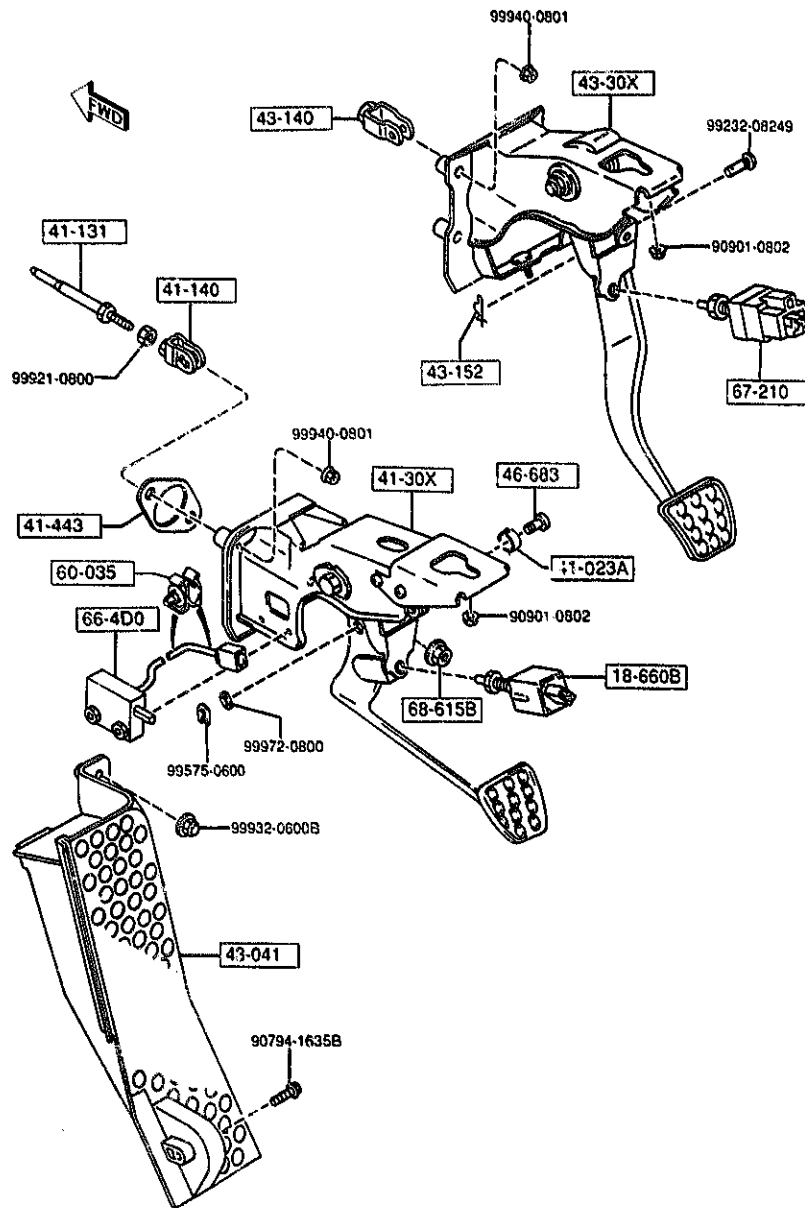
PART NO.	QTY	MODEL/RESTRICT. ON	MODEL/RESTRICTION	MODEL/RESTRICTION	FROM-TO
42-408		STOPPER, FILLER LID			
0187-70-491	2				
42-410		LID, FUEL FILLER			
FD01-42-41X	1				
45-961B		CAP			
H002-45-961	2				
56-782		BRACKET, STOPPER			
FD01-56-83XC	1				
56-860A		LEVER, OPENER			
FD01-56-860C	1				
62-352		CABLE, OPENER			
FD01-56-870A	1				

AUFA05

CAT. AUFA05-03

1995-03

4300 CLUTCH & BRAKE PEDALS (MANUAL TRANSMISSION)



4300 -1 CLUTCH & BRAKE PEDALS (MANUAL TRANSMISSION)

PART NO.	QTY	MODEL/RESTRICTION	MODEL/RESTRICTION	MODEL/RESTRICTION	FROM-TO
18-660B	1	SWITCH, CLUTCH			
LA01-66-490A	1				
41-023A	1	BUSH			
0727-41-023	1				
41-131	1	ROD, PUSH			
0727-41-131	1				
41-140	1	FORK, CLUTCH			
0305-41-140	1				
41-30X	1	PEDAL, CLUTCH			
FD01-41-30XA	1				
41-443	1	GASKET			
H001-41-443	1				
43-041	1	REST, FOOT			
FD01-43-041	1				
43-140	1	FORK, BRAKE			
HE01-43-140	1				
43-152	1	PIN, SNAP			
D001-43-152	1				
43-30X	1	PEDAL, BRAKE			
FD01-43-30XA	1				
46-683	1	PIN			
0187-46-683	1				
60-035	2	CLIP, C.S.D. WIRE			
W201-60-035	2				
66-4D0	1	SWITCH, CLUTCH CUT			
NF05-66-4D0	1				
67-210	1	SWITCH, STOP-LAMP			
BR70-66-490A	1				

AUFA05

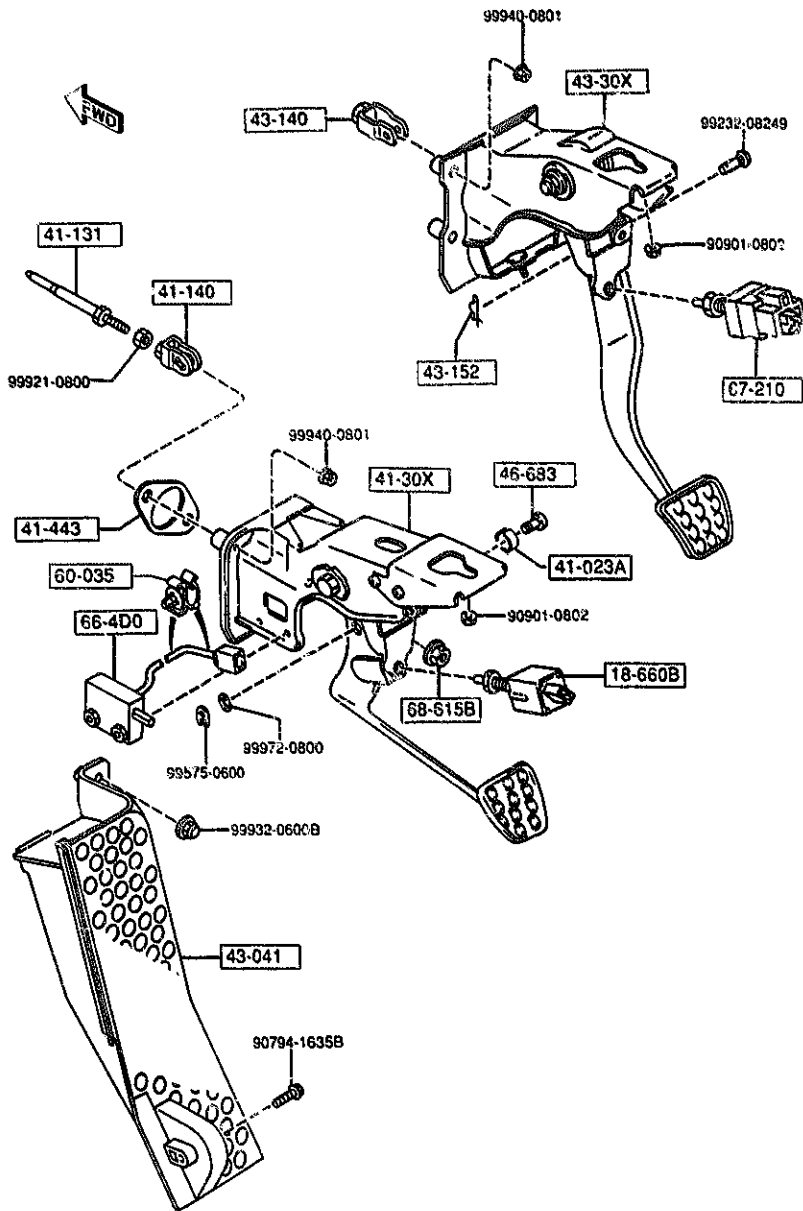
CAT. AUFA05-03

1995-03



4300 -2 \* CLUTCH & BRAKE PEDALS (MANUAL TRANSMISSION)

4300 CLUTCH & BRAKE PEDALS (MANUAL TRANSMISSION)



PART NO.	QTY	MODEL/RESTRICTION	MODEL/RESTRICTION	MODEL/RESTRICTION	FROM-TO
+-----+   68-615B   +-----+ B100-68-615	1	NUT, FLANGE-CAP			

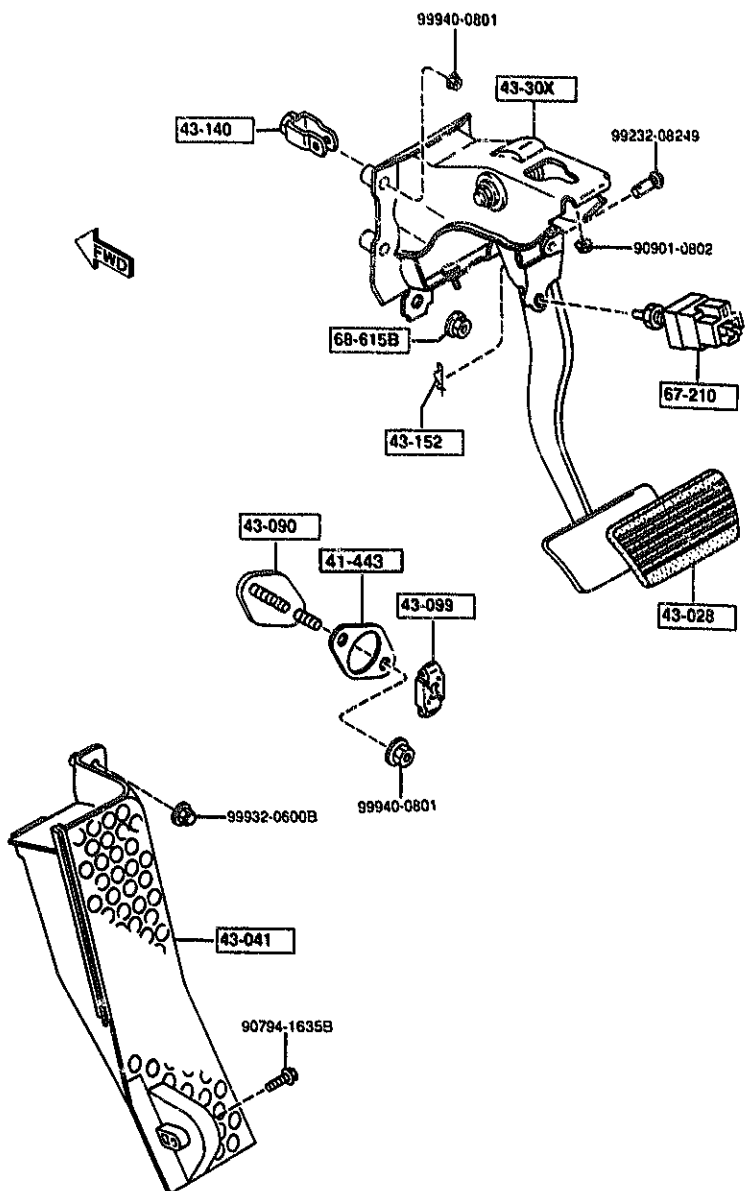
AUFA05

CAT. AUFA05-03

1995-03

4300A -1 \* BRAKE PEDALS (AUTOMATIC TRANSMISSION)

4300A BRAKE PEDALS (AUTOMATIC TRANSMISSION)



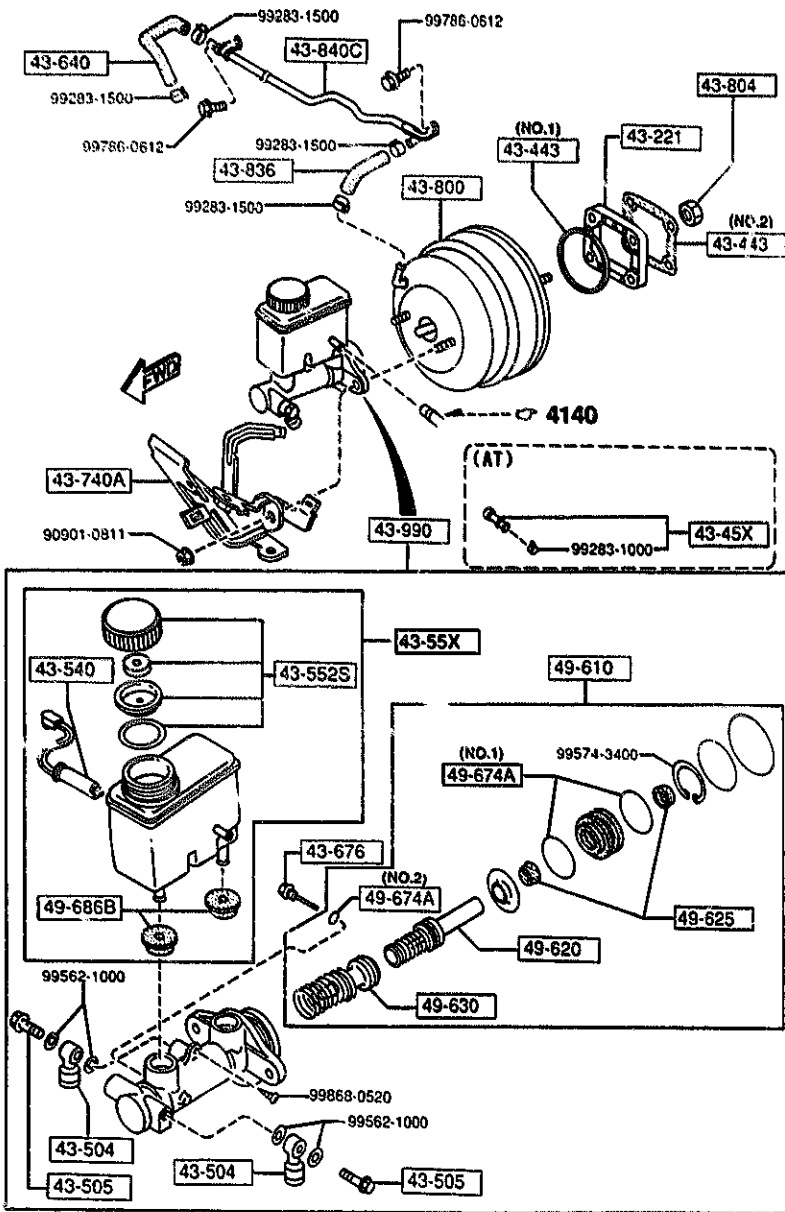
PART NO.	QTY	MODEL/RESTRICTION	MODEL/RESTRICTION	MODEL/RESTRICTION	FROM-TO
41-443		GASKET			
H001-41-443	1				
43-028		PAD, PEDAL			
H261-43-028	1				
43-041		REST, FOOT			
FD01-43-041	1				
43-090		PLATE			
HF23-43-090A	1				
43-099		HOLDER, PLATE			
HF23-43-099	1				
43-140		FORK, BRAKE			
HE01-43-140	1				
43-152		PIN, SNAP			
DD01-43-152	1				
43-30X		PEDAL, BRAKE			
FD02-43-30XA	1				
67-210		SWITCH, STOP-LAMP			
BR70-66-490A	1				
68-615B		NUT, FLANGE-CAP			
B100-68-615	1				

AUFA05

CAT. AUFA05-03

1995-03

4340 BRAKE MASTER CYLINDER & POWER BRAKE



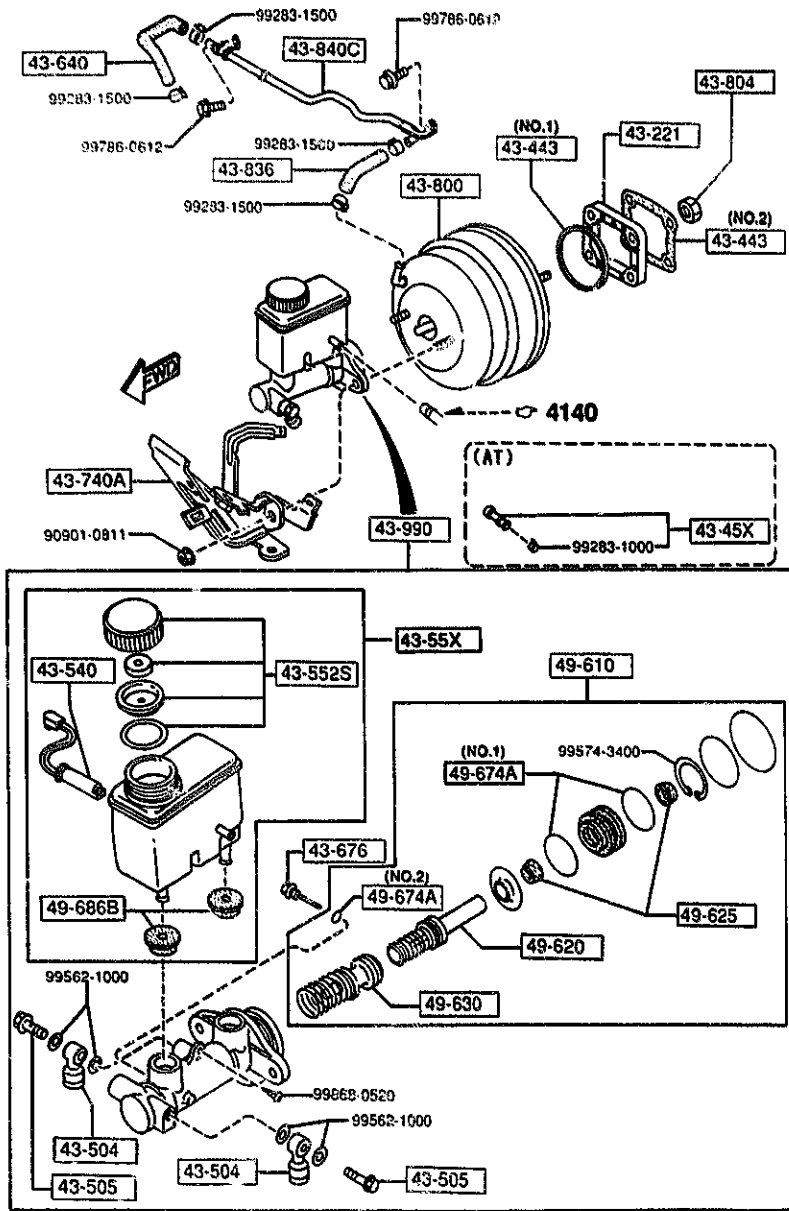
PART NO.	QTY	MODEL/RESTRICTION	MODEL/RESTRICTION	MODEL/RESTRICTION	FROM-TO
43-221		SPACER			
FD01-43-221A	1				
43-443		GASKET, VAC POWER AS SIST			
FD01-43-443A	1	(ILLUST. NO.1)			
H001-43-443	1	NON ASBESTOS (ILLUST. NO.2)			
43-45X		PROTECTOR			
B603-43-45XA	1	(AT)			
43-504		JOINT, PIPE			
W023-43-504	2				
43-505		BOLT, CONNECTOR			
W023-43-505	2				
43-540		INDICATOR, LEVEL			
FD04-43-540A	1				
43-55X		SET, TANK			
*FDY1-43-55X	1				
43-552S		CAP SET, RESERVE TANK			
B603-49-580	1				
43-640		HOSE, VACUUM			
FD01-43-640B	1				
43-676		BOLT SET			
H381-43-676	1				
43-740A		BRACKET, CABLE			
FD01-43-740B	1				
43-800		VACUUM POWER ASSIST			
FD04-43-800B	1				
43-804		NUT			
B91C-43-954	1				

AUFA05

CAT. AUFA05-03

1995-03

4340 BRAKE MASTER CYLINDER & POWER BRAKE



4340 -2 \* BRAKE MASTER CYLINDER & POWER BRAKE

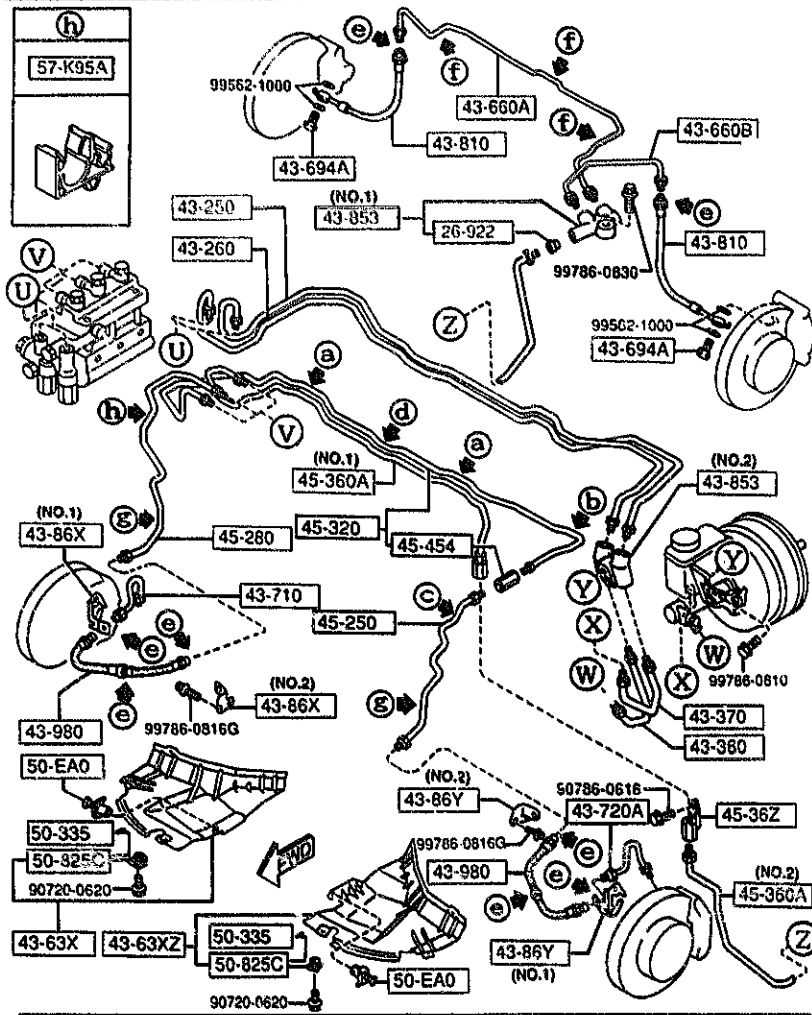
PART NO.	QTY	MODEL/RESTRICTION	MODEL/RESTRICTION	MODEL/RESTRICTION	FROM-TO
43-836		HOSE, VACUUM			
FD01-43-836B	1				
43-840C		PIPE, VACUUM			
FD01-43-840B	1				
43-990		CYL., TANDEM MASTER			
GDY1-43-402B	1				-3B01
MFDD4-43-40Z	1				3B01-
49-610		PARTS KIT, INN.-BRAKE			
B6Y4-43-41Z	1				
49-620		PISTON, PRIMARY			
B533-43-62Z	1				
49-625		CUP, SECONDARY			
NA23-43-625	2				
49-630		PISTON, FLOATING			
B604-43-63Z	1				
49-674A		RING, "O"-MASTER CYL.			
NA23-43-515	2	SHINEI KOGYO (ILLUST. NO.1)			
99541-00603	1	NOK (ILLUST. NO.2)			
49-686B		BUSH, ELBOW JOINT			
F100-49-686	2				
3B01 FD333M-301117					

AUFA05

CAT. AUFA05-03

1995-03

4360 BRAKE PIPINGS



(a)	(b)	(c)	(d)	(e)	(f)	(g)
45-920	45-921A	45-903G	45-984	43-635	45-819	45-914

4360 -1 BRAKE PIPINGS

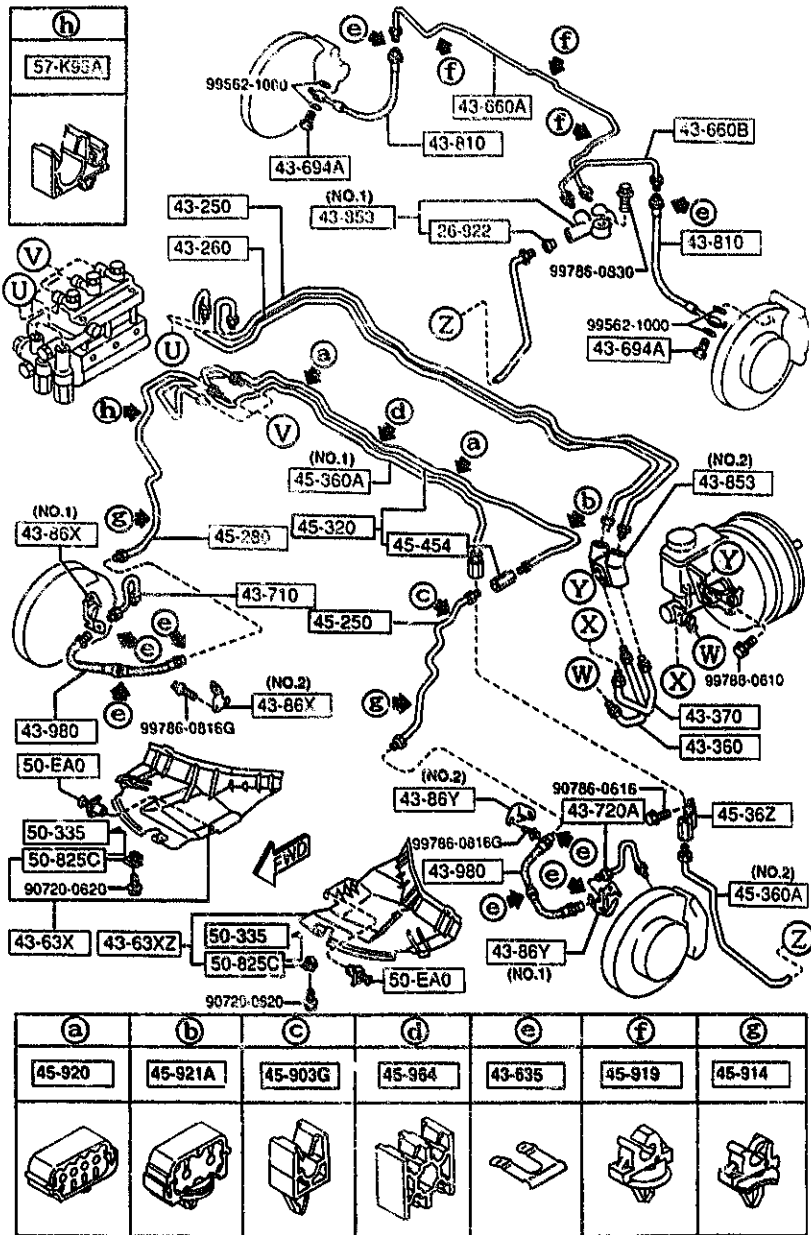
PART NO.	QTY	MODEL/RESTRICTION	MODEL/RESTRICTION	MODEL/RESTRICTION	FROM-TO
26-922		SHEET, TUBE			
0613-26-922	1				
43-250		PIPE NO.1, BRAKE-A.B.			
FD04-43-250F	1				
43-260		PIPE NO.2, BRAKE-A.B.			
FD04-43-260C	1				
43-360		PIPE, BRAKE			
FD04-43-360B	1				
43-370		PIPE, BRAKE			
FD04-43-370B	1				
43-63X		DUCT(R), AIR-BRAKE PIPE			
FD01-43-63XE A (FD01-43-63XF)	1				-3A01
FD03-43-63XE A (FD03-43-63XF)	1				-3A01
FD01-43-63XF	1	(NOR. SUSP)			3A01-
FD03-43-63XF	1	(HARD SUSP)			3A01-
43-63XZ		DUCT(L), AIR-BRAKE PIPE			
FD01-43-64XD A (FD01-43-64XE)	1				-3A01
FD03-43-64XD A (FD03-43-64XE)	1				-3A01
FD01-43-64XE	1	(NOR. SUSP)			3A01-
FD03-43-64XE	1	(HARD SUSP)			3A01-
43-635		CLIP, FLEXIBLE HOSE			
W023-43-635	8				
43-660A		PIPE(R), BRAKE-REAR			
FD01-43-670B	1				
43-660B		PIPE(L), BRAKE REAR			
FD01-43-680B	1				
43-694A		BOLT, CONNECTOR			
3A01 FD333R-300088					

AUFA05

CAT. AUFA05-03

1995-03

4360 BRAKE PIPINGS

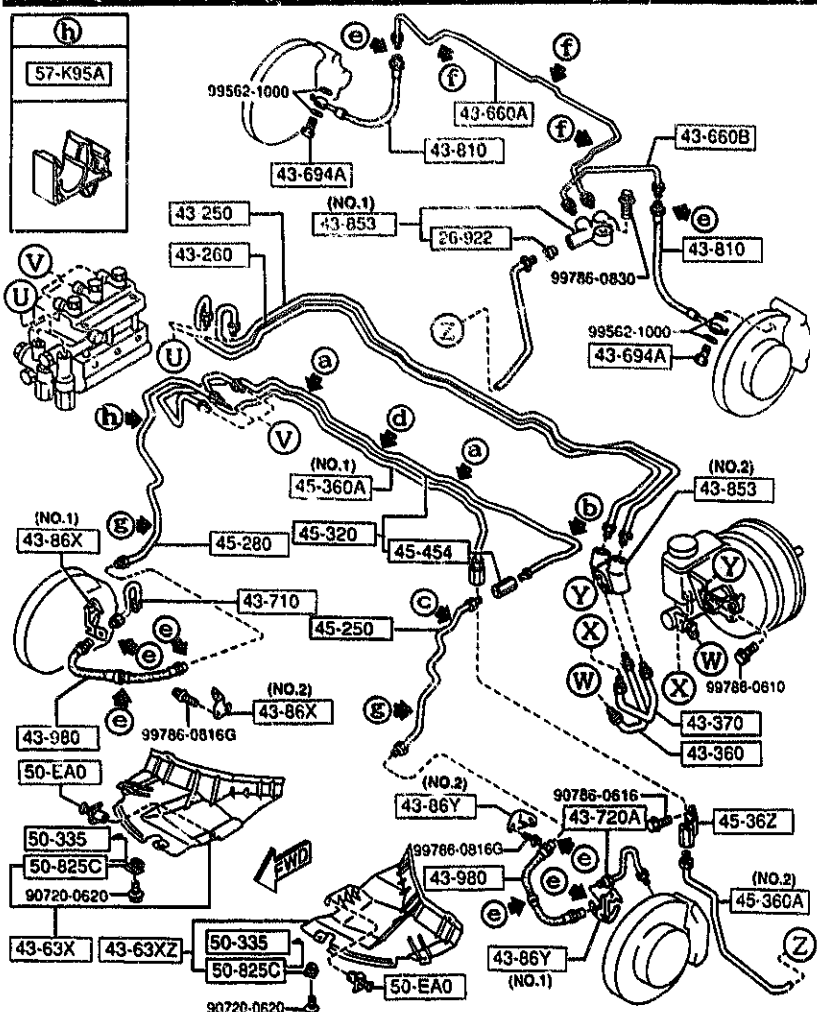


PART NO.	QTY	MODEL/RESTRICTION	MODEL/RESTRICTION	MODEL/RESTRICTION	FROM-TO
CONT'D 8001-43-694A	2				
43-710		PIPE(R), BRAKE-FRONT			
FD01-43-710A	1				
43-720A		PIPE(L), BRAKE-FRONT			
FD01-43-720A	1				
43-810		HOSE, FLEXIBLE			
FD01-43-810A	2				
43-853		JOINT, PIPE			
F100-43-85X	1	(ILLUST. NO.1)			
3455-43-853	1	(ILLUST. NO.2)			
43-86X		BRACKET, HOSE			
FD01-43-86XB	1	(ILLUST. NO.1)			
FD01-43-87XA	1	(ILLUST. NO.2)			
43-86Y		BRACKET, HOSE			
FD01-43-86YB	1	(ILLUST. NO.1)			
FD01-43-87YA	1	(ILLUST. NO.2)			
43-980		HOSE, FLEXIBLE			
FD01-43-980B	2				
45-250		PIPE, BRAKE-FRT			
FD01-45-33XC	1				
45-280		PIPE(R), BRAKE-FRONT			
FD01-45-280C	1				
45-320		PIPE(L), BRAKE-FRONT			
FD01-45-320D	1				
45-36Z		JOINT, FUEL PIPE			
FD01-45-36ZA	1				
45-360A		PIPE, BRAKE-REAR			
FD01-45-36XA	1	(ILLUST. NO.1)			

2-J 7

4360 BRAKE PIPINGS

4360 -3 \* BRAKE PIPINGS

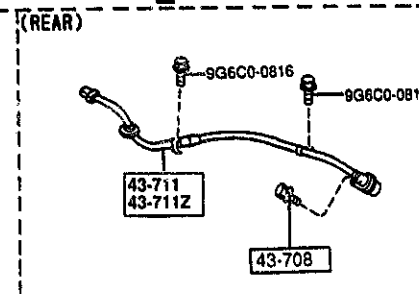
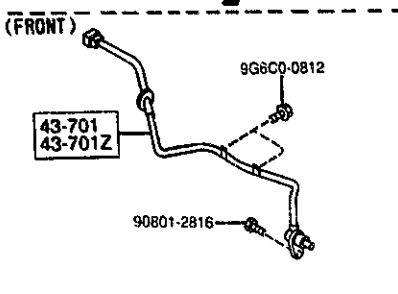
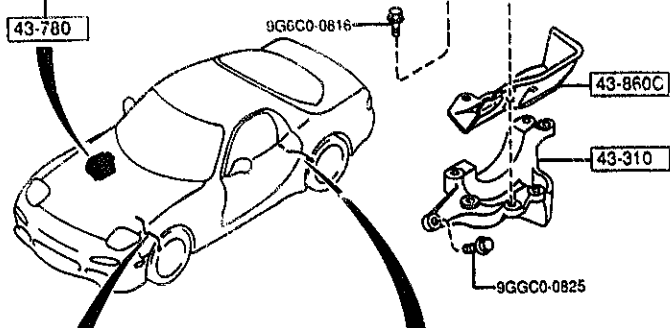
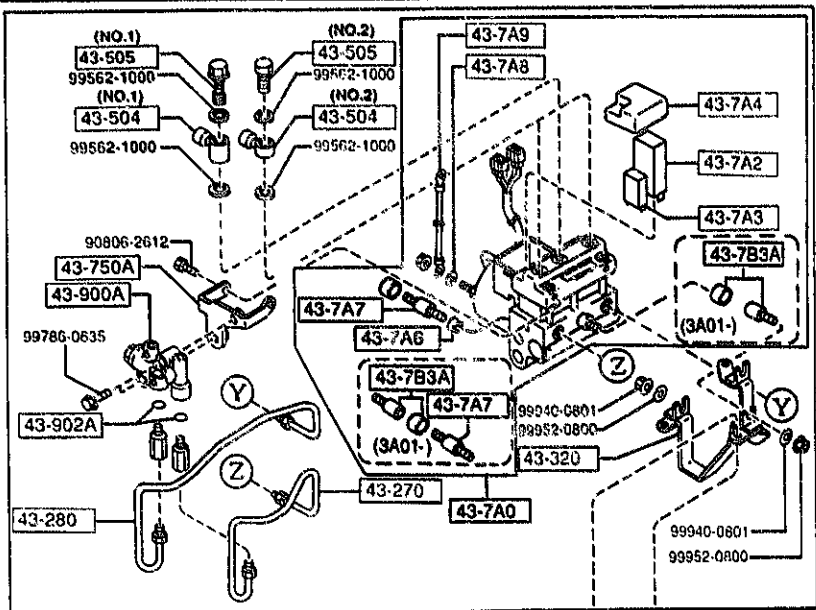


(a)	(b)	(c)	(d)	(e)	(f)	(g)
45-920	45-921A	45-903G	45-964	43-63E	45-919	45-914

PART NO.	QTY	MODEL/RESTRICTION	MODEL/RESTRICTION	MODEL/RESTRICTION	FROM-TO
CONT FD01-45-360B	1	(ILLUST. NO.2)			
45-454		JOINT,PIPE			
D001-45-367	1				
45-9030		CLIP,PIPE			
B455-45-916	1				
45-914		HOLDER,PIPE			
FB01-45-914	2	NIFUKO			
45-919		CLIP,PIPE			
B001-45-919B	3				
45-920		BRACKET			
NA20-45-920B	2				
45-921A		HOLDER,PIPE			
F100-45-92X	1				
45-964		HOLDER,PIPE-FRT BRAK E(L)			
F048-45-964B	1				
50-EA0		FASTENER			
EA01-50-EA0	2				
50-335		NUT,CLIP			
MF801-50-133C	4				4511-
50-825C		NUT,CLIP			
FA01-50-054	4				-4511
57-K95A		CLIP,AIR BAG			
FD14-57-K95	1				
4511 FD333M-303537					

2-K 7

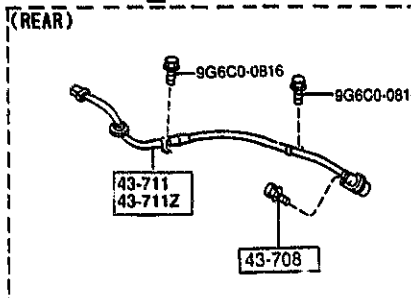
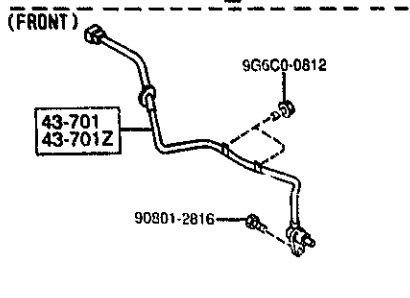
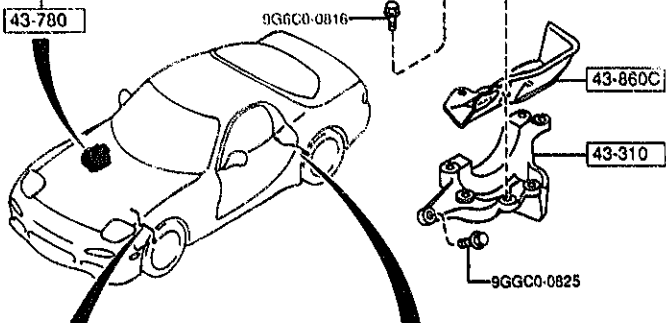
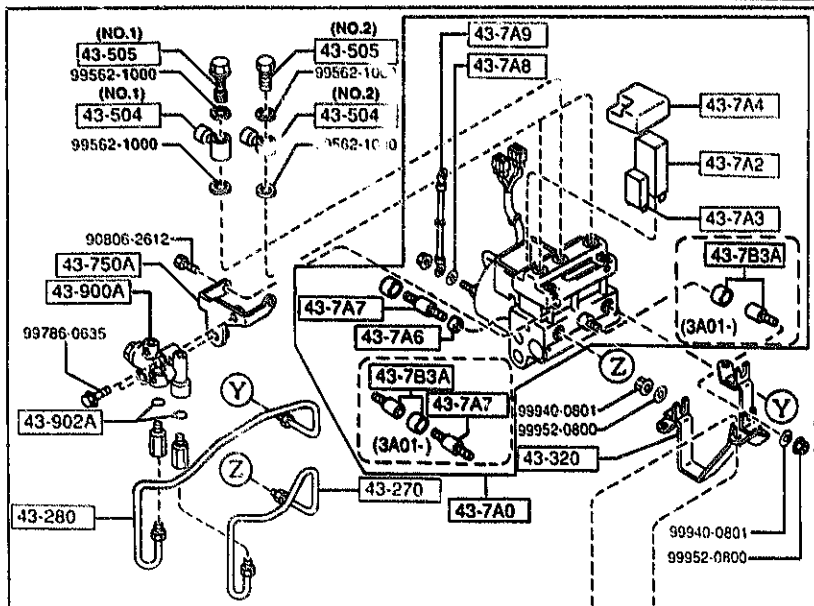
4370 ANTILOCK BRAKE SYSTEM



PART NO.	QTY	MODEL/RESTRICTION	MODEL/RESTRICTION	MODEL/RESTRICTION	FROM-TO
43-270		PIPE NO.3, BRAKE-A. B.			
FD04-43-270B	1				
43-280		PIPE NO.4, BRAKE-A. B.			
FD04-43-280D	1				
43-310		BRACKET NO 1, A. B. S.			
FD04-43-311B	1				
43-320		BRACKET NO 2, A. B. S.			
FD04-43-320D	1				
43-504		JOINT, PIPE			
FD04-43-504	1	(ILLUST. NO.1)			
W023-43-504	2	(ILLUST. NO.2)			
43-505		BOLT, CONNECTOR			
FD04-43-505	1	(ILLUST. NO.1)			
W023-43-505	2	(ILLUST. NO.2)			
43-7A0		HYDRAULIC UNIT, A B S			
FD04-43-7A0D	1				
43-7A2		RELAY, MOTOR-HYD. UNI			
NA23-43-7A2	1				
43-7A3		RELAY, VALVE-HYD. UNI			
NA23-43-7A3	1				
43-7A4		COVER *L*, HYDRAULIC U			
NA23-43-7A4	1	NIT			
43-7A6		RUBBER, MOUNT-HYD. UN			
NA23-43-7A6	1	IT			- 3A01
43-7A7		STUD, HEX-HYD. UNIT			
NA23-43-7A7	1				
43-7A8		WASHER, HYD. UNIT			
NA23-43-7A8	1				
3A01 FD333K-300888					



4370 ANTILOCK BRAKE SYSTEM

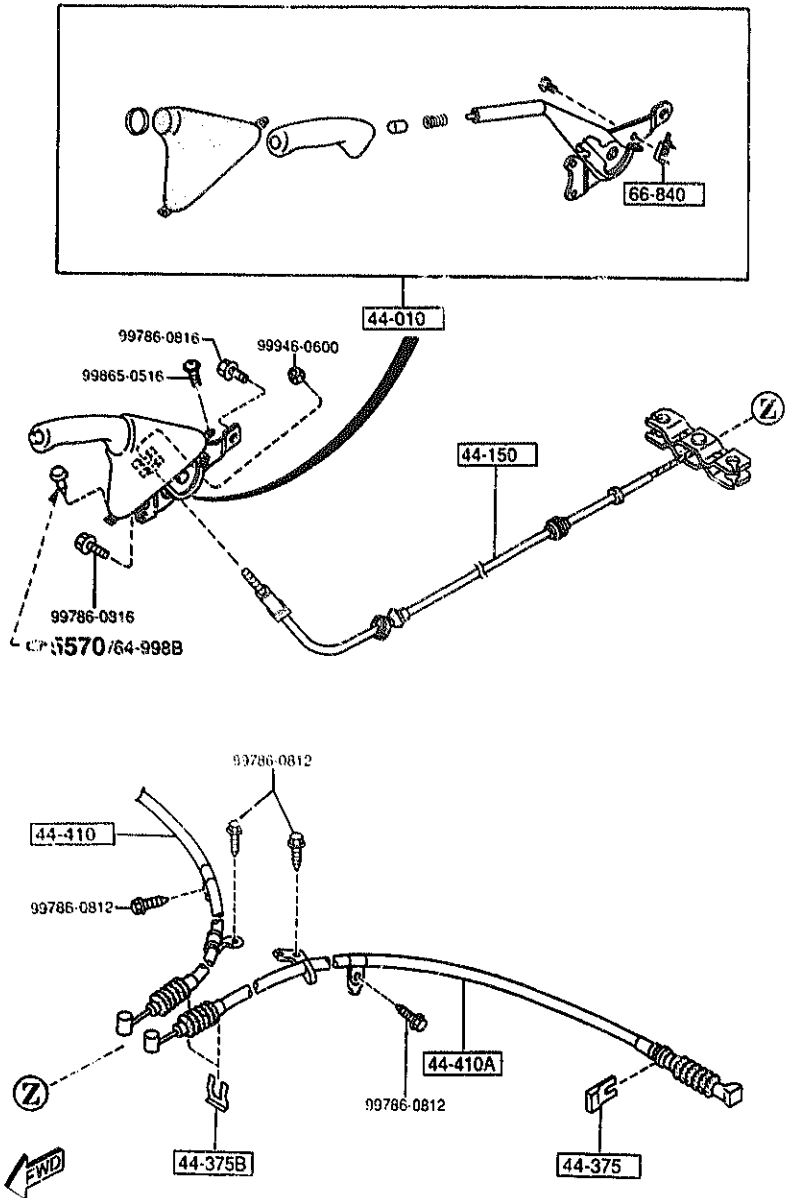


PART NO.	QTY	MODEL/RESTRICTION	MODEL/RESTRICTION	MODEL/RESTRICTION	FROM TO
43-7A9		WIRE, EARTH-HYD. UNIT			
FD04-43-7A9A	1				
43-7B3A		CASING, HYDRAULIC UNIT			
NA23-43-7B3	3				3A01-
43-701		SENSOR(R), FRT-A. B. S.			
FD05-43-70XB	1				
43-701Z		SENSOR(L), FRT-A. B. S.			
FD05-43-73XC	1				
43-708		BOLT, REAR SENSOR			
FD51-43-708A	2				
43-711		SENSOR(R), RR A. B. S.			
FD04-43-71YC	1				
43-711Z		SENSOR(L), RR-A. B. S.			
FD04-43-72YC	1				
43-750A		HOLDER, P. B. VALVE			
FD01-43-750C	1				
43-780		ANTILOCK BRAKE			
FD04-43-780F	1				
43-860C		INSULATOR, MASTER VAC			
FD01-43-860E	1				
43-900A		VALVE, P. B.			
FD04-43-920	1				
43-902A		RING 'O'			
NA17-43-902	2				

3A01 FD333\*-300888

4400 -1 \* PARKING BRAKE SYSTEM

4400 PARKING BRAKE SYSTEM



PART NO.	QTY	MODEL/RESTRICTION	MODEL/RESTRICTION	MODEL/RESTRICTION	FROM TO
44-010		LEVER,PARKING BRAKE			
FD01-44-010G	1				
44-150		CABLE,PARKING-FRT			
FD01-44-150	1				
44-375		CLIP,PARKING CABLE			
GA2B-44-375A	2	CHUOUHATSUJD			
44-375B		CLIP			
011B-44-375	2				
44-410		CABLE(R),R.-PARK.			
FD01-44-410	1				-3901
A (FD01-44-410A)					
FD01-44-410A	1				3901-
44-410A		CABLE(L),R.-PARK.			
FD01-44-420A	1				-3917
A (FD01-44-420B)					
FD01-44-420B	1				3913-
66-840		SWITCH,PARKING LAMP			
FD01-66-450	1				
3901 FD333*-300438					
3913 FD333*-300537					

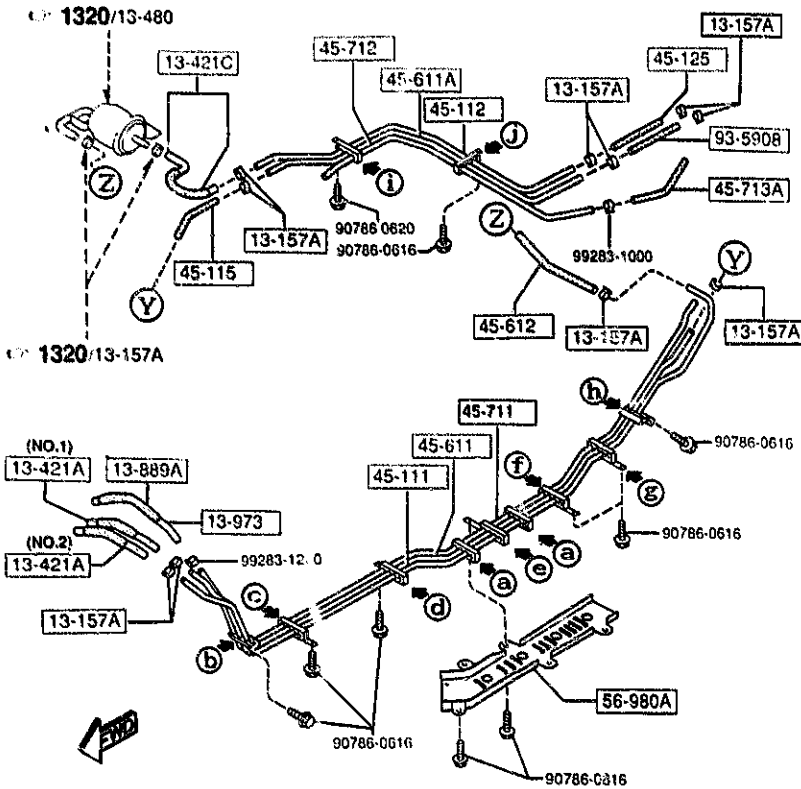
AUFA05

CAT. AUFA05-03

1995-03

4500 FUEL PIPINGS

4500 -1 FUEL PIPINGS



(NO.1)  
13-421A 13-889A

(NO.2)  
13-421A

(a) 45-911C 	(b) 45-910E 	(c) 45-920A 	(d) 45-930 	(e) 45-940 	(f) 45-91X 
(g) 45-960A 	(h) 45-990 	(i) 45-970 	(j) 45-963 		

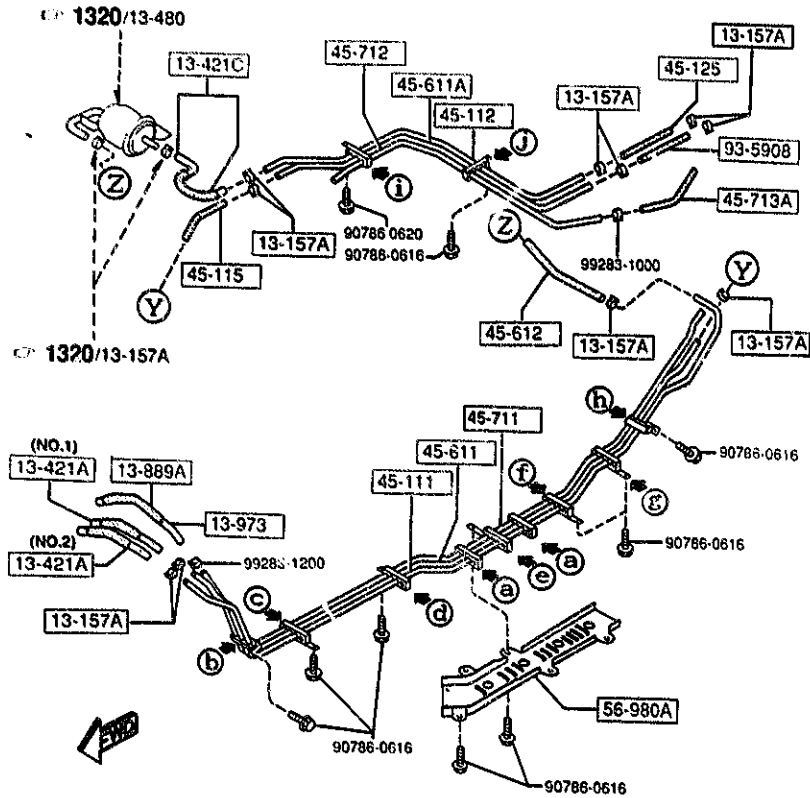
PART NO.	QTY	MODEL/RESTRICTION	MODEL/RESTRICTION	MODEL/RESTRICTION	FROM-TO
13-157A		CLIP			
8574-13-157	10				
13-421A		HOSE, FUEL MAIN			
N3A1-13-421	1	(ILLUST. NO.1)			
N3A2-13-421	1	(ILLUST. NO.2)			
13-421C		HOSE, FUEL			
N3A1-13-410	1				
13-889A		PROTECTOR			
N3A2-13-889A	1				
13-973		HOSE, DRAIN			
N3A2-13-971A	1				
45-111		PIPE, FUEL-MAIN			
FD01-45-111	1				
45-112		PIPE, FUEL-MAIN			
FD01-45-112	1				
45-115		HOSE, FUEL-MAIN PIPE			
FD01-45-115B	1				
45-125		HOSE, FUEL			
99359-0815	1				
45-611		PIPE, FUEL-RETURN			
FD01-45-611A	1				
45-611A		PIPE, FUEL-RETURN			
FD01-45-612	1				
45-612		HOSE, FUEL			
99359-0819	1				
45-711		PIPE, EVAPORATION			
FD01-45-711	1				

AUFA05

CAT. AUFA05-03

1995-03

4500 FUEL PIPINGS

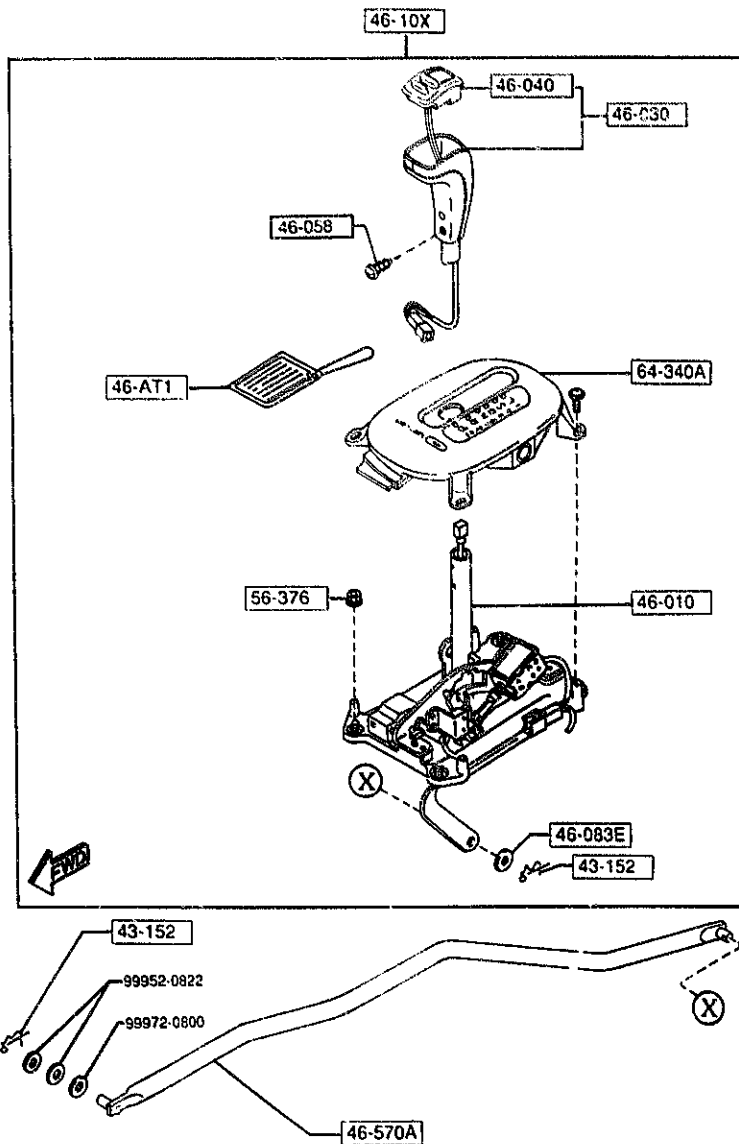


a	b	c	d	e	f
45-911C	45-910E	45-920A	45-930	45-940	45-91X
g	h	i	j		
45-960A	45-990	45-970	45-963		

PART NO.	QTY	MODEL/RESTRICTION	MODEL/RESTRICTION	MODEL/RESTRICTION	FROM-TO
45-712		PIPE, EVAPORATOR			
FD01-45-712A	1				
45-713A		HOSE, FUEL			
FD01-45-713	1				
45-91X		HOLDER 'E', PIPE-FUEL			
FD01-45-95X	1				
45-910E		HOLDER, PIPE			
FD01-45-910A	1				
45-911C		CLIP, PIPE			
FD01-45-911	9				
45-920A		HOLDER 'B', PIPE			
FD01-45-920	1				
45-930		HOLDER 'C', PIPE			
FD01-45-930	1				
45-940		HOLDER, PIPE			
FD01-45-940A	1				
45-960A		HOLDER 'F', PIPE			
FD01-45-960	1				
45-963		HOLDER 'J', PIPE			
FD01-45-980	1				
45-970		HOLDER 'G', PIPE			
FD01-45-970	1				
45-990		HOLDER 'K', PIPE-FUEL			
FD01-45-990	1				
56-980A		PROTECTOR, PIPE			
FD01-56-191A	1				
93-5908		HOSE			
99359-0815M	1				

4600 CHANGE CONTROL SYSTEM  
(AT)

4600 -1 \* CHANGE CONTROL SYSTEM  
(AT)



PART NO.	QTY	MODEL/RESTRICTION	MODEL/RESTRICTION	MODEL/RESTRICTION	FROM-TO
43-152		PIN, SNAP			
FB02-43-152A	2				
46-AT1		TAG, CAUTION-CHANGE			
FD02-46-AT1	1				
46-010		LEVER, SELECT			
FD02-46-100C	1				
46-030		KNOB, CHANGE LEVER			
FD02-46-030	1				
46-040		SWITCH, OVER DRIVE CO NTROL			
FC07-46-040A	1				
46-058		SCREW, CHANGE LEVER K NOB			
FD02-46-058	2				
46-083E		WASHER			
J001-46-051	1				
46-10X		CHANGE COMPLETE			
FD02-46-10XE	1				
46-570A		ROD, SELECTOR-REAR			
FD02-46-570A	1				
56-376		NUT, SELF LOCK			
B001-56-376	4				
64-340A		INDICATOR			
FD02-64-350D	1				

AUFA05

CAT. AUFA05-03

1995-03