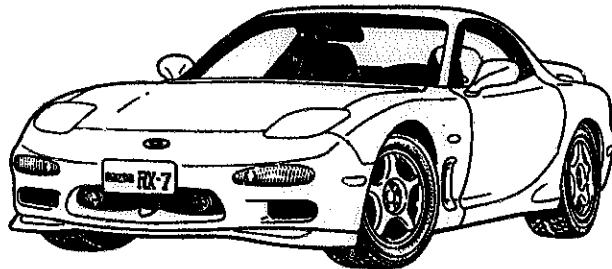


Parts Catalog

Mazda RX-7
U.S.A.
'95



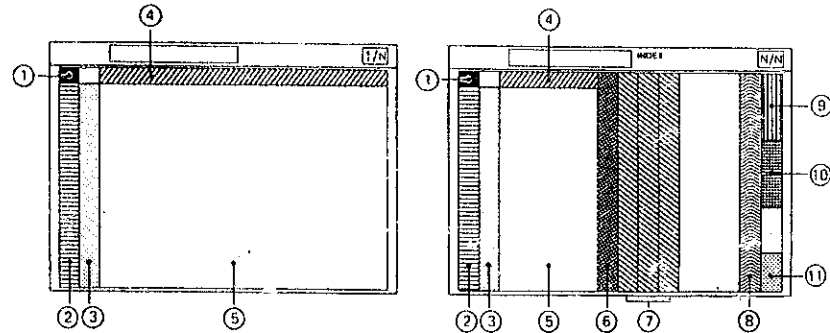
FD333 - 400001-800000

Feb. '97 (FINAL)
Catalog No. AU-FA08-04

mazda
© 1997 Mazda Motor Corporation

LAYOUT OF CONTENTS / DISPOSITION TYPOGRAPHIQUE DE CONTENU / DISPOSICION DEL CONTENIDO / ANORDNUNG DES INHALTS



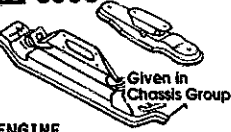
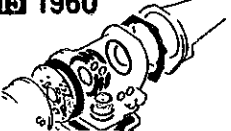
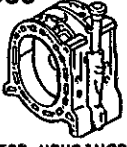




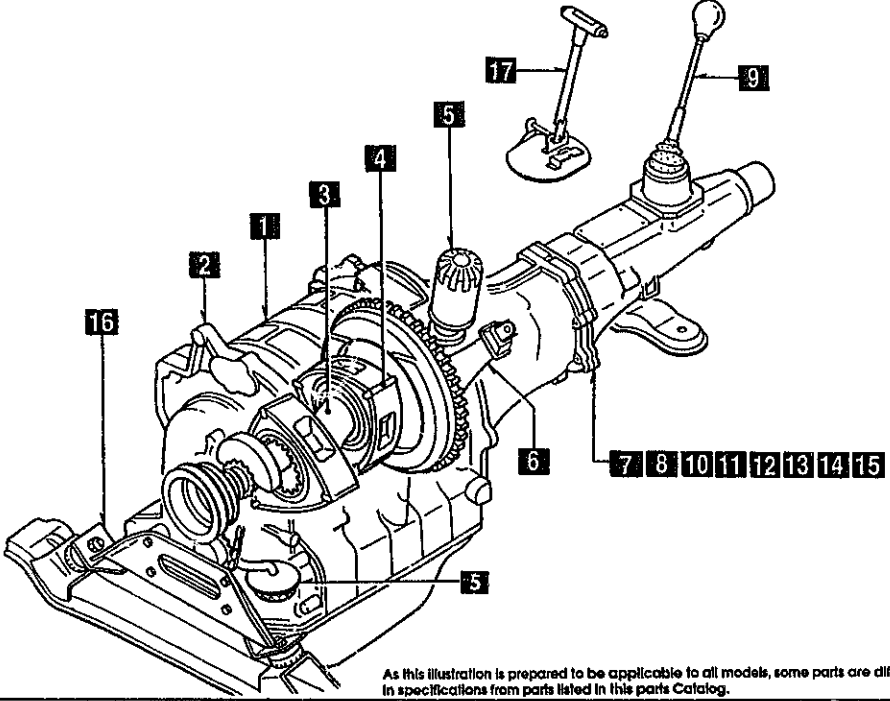
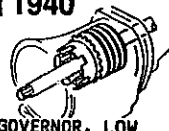


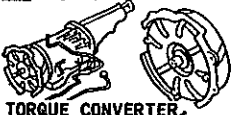
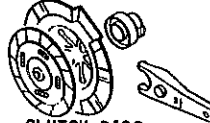
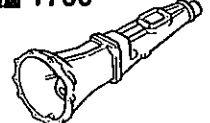

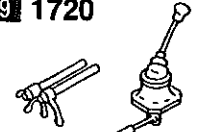
- The following is a typical example of the layout of contents on Mazda microfiche parts catalog.
- Voici un exemple typique de la disposition typographique de contenu dans les microfiches de catalogue des pièces de Mazda.
- El siguiente es un ejemplo típico de la disposición del contenido en una microficha del catálogo de repuestos de Mazda.
- Folgendes ist ein typisches Beispiel der Inhaltsanordnung des Mazda-Mikrofiche-Teilekatalogs.








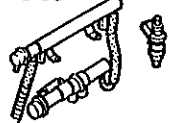
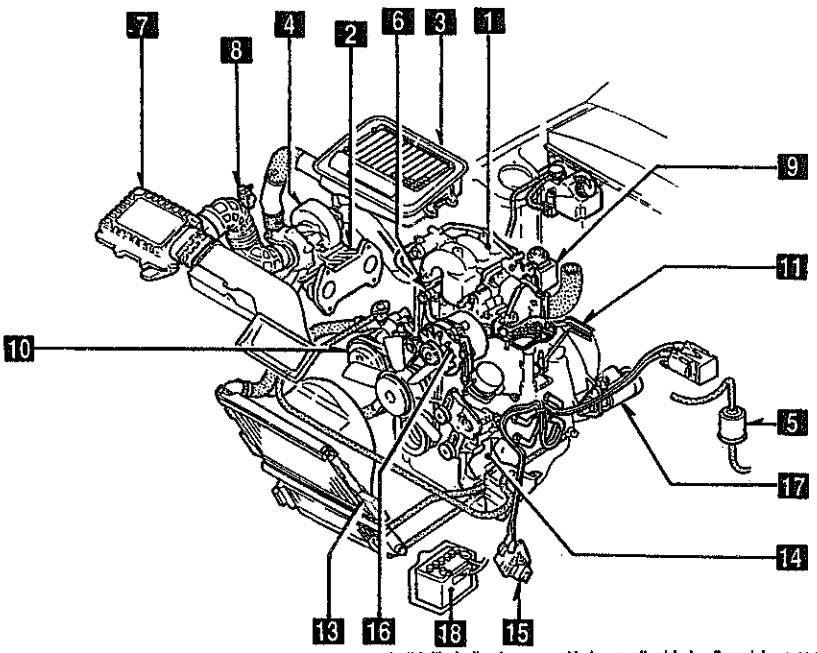
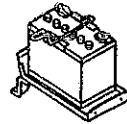
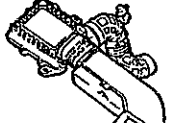
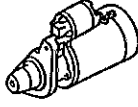

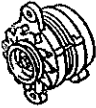
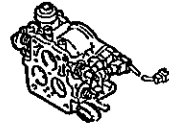
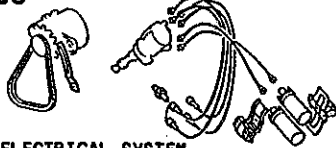

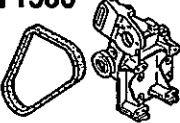
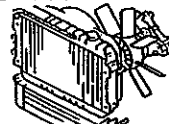
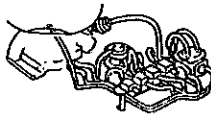
Remark : The items listed under ④ have been deleted from each fiche since Dec. '93

- | | | |
|------------------------------------------------------------------------------------------------------------------------------------------------------------------------------------------|-------------------------------------------------------------------------------------------------------------------|-------------------------------------------------------------------------------------------------------------------------------------------------------------|
| ① • Layout of contents
• Disposition Typographique de Contenu
• Disposición del contenido
• Anordnung des Inhalts | ② • Pictorial Index
• Index par Schémas
• Índice Gráfico
• Illustrierter Index | ③ • Master Section No. Index
• Index des Numéros des Sections Totale
• Índice del Número de la Sección Maestra
• Hauptabschnittsnummer-Index |
| ④ • Section No. Index for the Column
• Index des Numéros des Sections pour les Colonnes
• N° de la Sección para el Índice
• Abschnittsnummer-Index für die Spalte | ⑤ • Illustration & Text
• Illustrations et Textes
• Ilustración y Texto
• Abbildung und Text | ⑥ • Part No. Index
• Index des Numéros des Pièces
• Índice del N° de Pieza
• Teile-Nr.-Index |
| ⑦ • Alphabetical Index
• Index Alphabétique
• Índice Alfabético
• Alphabetischer Index | ⑧ • Model Identification
• Identification des Modèles
• Identificación del Modelo
• Modell-Kennzeichnung | ⑨ • Vehicle Identification System
• Système d'Identification de Véhicule
• Sistema de Identificación de Vehículo
• Fahrzeug-Identifikations-system |

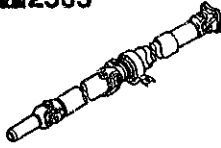
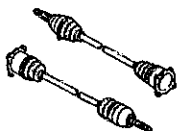



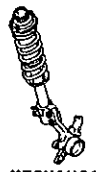


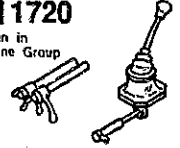
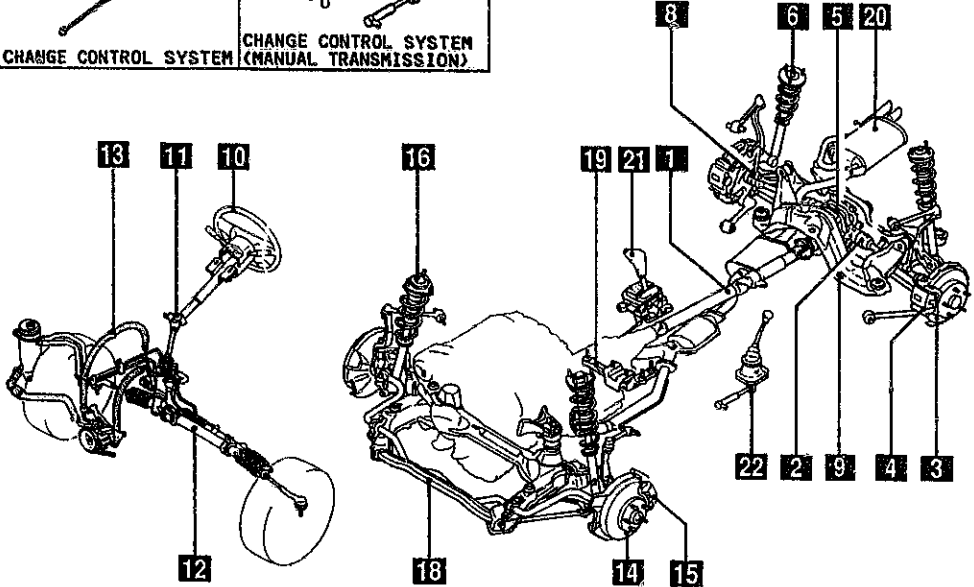
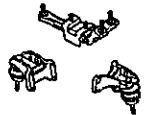
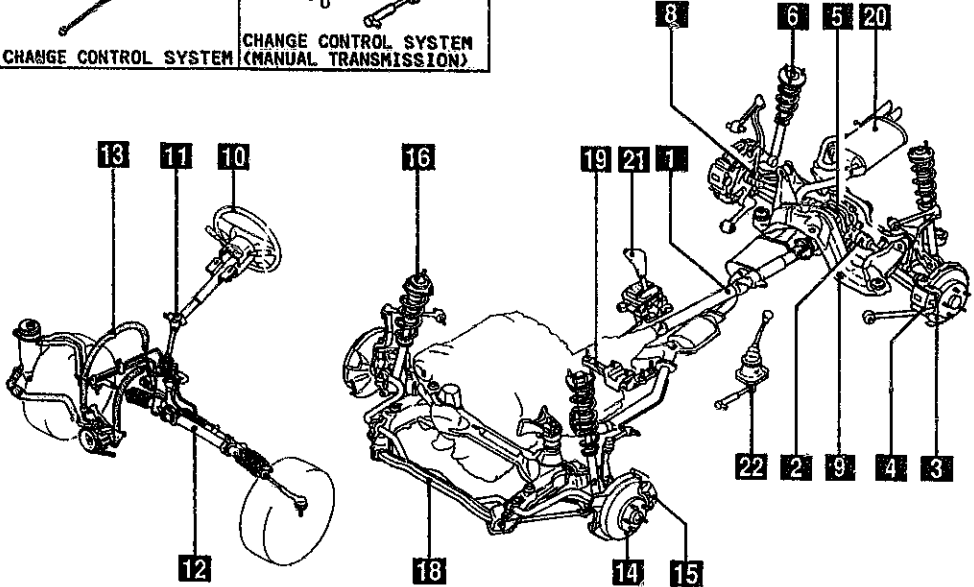

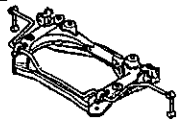
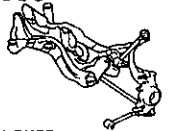




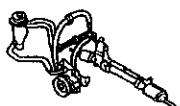
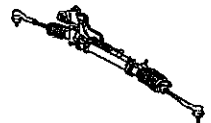

PICTORIAL INDEX

<p>1000</p>  <p style="text-align: center;">ENGINE & GASKET SETS</p> <p>17 4600 Given in Chassis Group</p>  <p style="text-align: center;">CHANGE CONTROL SYSTEM (AT)</p> <p>16 3900 Given in Chassis Group</p>  <p style="text-align: center;">ENGINE & TRANSMISSION MOUNTINGS</p> <p>15 1960</p>  <p style="text-align: center;">GASKET & SEAL KIT (AUTOMATIC)</p>	<p>1 1030</p>  <p style="text-align: center;">ROTOR HOUSINGS</p> <p>2 1040</p>  <p style="text-align: center;">OIL PAN, FRONT & REAR HOUSING</p>	<p>3 1100</p>  <p style="text-align: center;">ECCENTRIC SHAFT & FLYWHEEL</p>	<p>4 1110</p>  <p style="text-align: center;">ROTORS & RELATED PARTS</p>	<p>5 1400</p>  <p style="text-align: center;">OIL PUMP & FILTER</p>
<p style="font-size: 24pt;">ENGINE (1/2)</p>  <p style="font-size: 10pt; text-align: center;">As this illustration is prepared to be applicable to all models, some parts are different in specifications from parts listed in this parts Catalog.</p>				
<p style="font-size: 24pt;">ENGINE (1/2)</p>				
<p style="font-size: 10pt;">As this illustration is prepared to be applicable to all models, some parts are different in specifications from parts listed in this parts Catalog.</p>				
<p style="font-size: 24pt;">ENGINE (1/2)</p>				
<p style="font-size: 10pt;">As this illustration is prepared to be applicable to all models, some parts are different in specifications from parts listed in this parts Catalog.</p>				
<p>13 1940</p>  <p style="text-align: center;">GOVERNOR, LOW & REVERSE PISTON (AUTOMATIC)</p>	<p>12 1930</p>  <p style="text-align: center;">CLUTCHES & PLANETARY GEARS (AUTOMATIC)</p>	<p>11 1920 & 1925</p>  <p style="text-align: center;">TRANSMISSION CASE & MAIN CONTROL SYSTEM (AUTOMATIC)</p>	<p>10 1910</p>  <p style="text-align: center;">TORQUE CONVERTER, OIL PUMP & PIPINGS (AUTOMATIC)</p>	<p>6 1600</p>  <p style="text-align: center;">CLUTCH DISC & COVER (MANUAL)</p> <p>7 1700</p>  <p style="text-align: center;">TRANSMISSION CASE (MANUAL)</p> <p>8 1710</p>  <p style="text-align: center;">TRANSMISSION GEARS (MANUAL)</p> <p>9 1720</p>  <p style="text-align: center;">CHANGE CONTROL SYSTEM (MANUAL)</p>

PICTORIAL INDEX





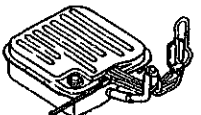
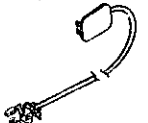
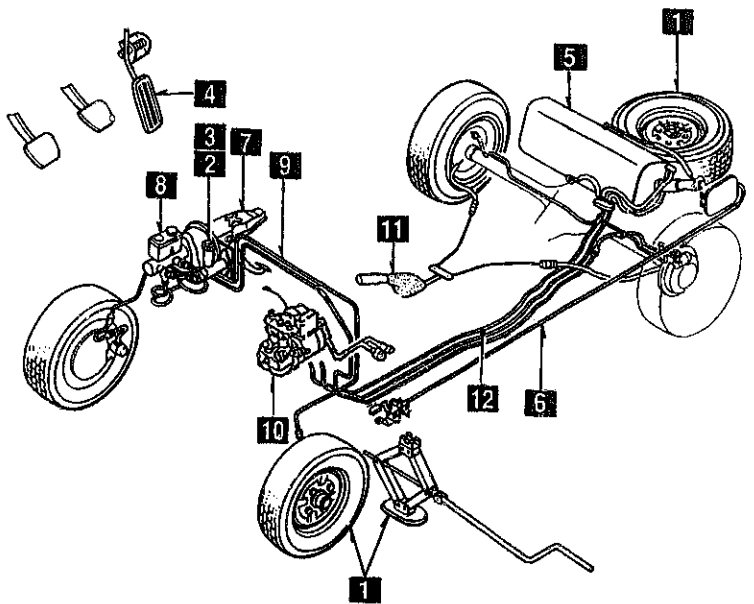
1 1300  INLET MANIFOLD	2 1310  EXHAUST MANIFOLD	3 1311  INTER COOLER	4 1312  TURBO CHARGER	5 1320  FUEL SYSTEM	6 1325  FUEL DISTRIBUTOR
<h3 style="margin: 0;">ENGINE (2/2)</h3> 					
18 1850  BATTERY	As this illustration is prepared to be applicable to all models, some parts are different in specifications from parts listed in this parts Catalog.				7 1330  AIR CLEANER
17 1840  STARTER					8 1313  TWIN TURBO AIR INTAKE SYSTEM
16 1830  ALTERNATOR					9 1364  THROTTLE BODY
15 1800  ENGINE ELECTRICAL SYSTEM					10 1371  AIR PUMP & AIR CONTROL VALVE
14 1580  BRACKET, PULLEY & BELT		13 1500  COOLING SYSTEM	12	11 1380  EMISSION CONTROL SYSTEM	

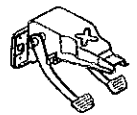
PICTORIAL INDEX

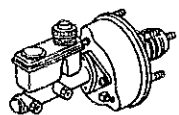
<p>1 2505</p>  <p>REAR PROPELLER SHAFT</p>	<p>2 2550</p>  <p>REAR DRIVE SHAFT</p>	<p>3 2600</p>  <p>REAR AXLE</p>	<p>4 2610</p>  <p>REAR BRAKE MECHANISMS</p>	<p>5 2710</p>  <p>REAR DIFFERENTIALS</p>	<p>6 2800</p>  <p>REAR SUSPENSION MECHANISMS</p>
<p>20 4000</p>  <p>EXHAUST SYSTEM</p>	<p>21 4600</p>  <p>CHANGE CONTROL SYSTEM</p>	<p>22 1720 Given in Engine Group</p>  <p>CHANGE CONTROL SYSTEM (MANUAL TRANSMISSION)</p>	<h3 style="margin: 0;">CHASSIS (1/2)</h3> 		<p>7</p>
<p>19 3900</p>  <p>ENGINE & TRANSMISSION MOUNTINGS</p>				<p>8 2810</p>  <p>REAR STABILIZER</p>	
<p>18 3410</p>  <p>CROSSMEMBER & STABILIZER</p>				<p>9 2830</p>  <p>REAR LOWER ARMS & SUB FRAME</p>	
<p>17</p>				<p>10 3200</p>  <p>STEERING WHEEL</p>	
<p>16 3400</p>  <p>FRONT SUSPENSION MECHANISMS</p>	<p>15 3310</p>  <p>FRONT BRAKE MECHANISMS</p>	<p>14 3300</p>  <p>FRONT AXLE</p>	<p>13 3240</p>  <p>POWER STEERING SYSTEM (FRONT)</p>	<p>12 3220</p>  <p>STEERING GEAR</p>	<p>11 3210</p>  <p>STEERING COLUMN & SHAFTS</p>


As this illustration is prepared to be applicable to all models, some parts are different in specifications from parts listed in this parts Catalog.

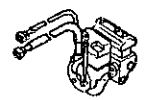
PICTORIAL INDEX


1 3700  TIRES & JACK	2 4140  CLUTCH RELEASE & MASTER CYLINDERS	3 4145  CLUTCH PIPINGS	4 4160  ACCELERATOR CONTROL SYSTEM	5 4200  FUEL TANK	6 4210  FUEL LID OPENER
CHASSIS (2/2)					
					
As this illustration is prepared to be applicable to all models, some parts are different in specifications from parts listed in this parts Catalog.					


7 4300

 CLUTCH & BRAKE PEDALS

8 4340

 BRAKE MASTER CYLINDER & POWER BRAKE

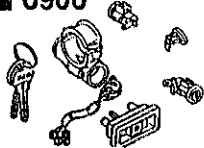

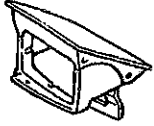
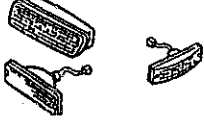
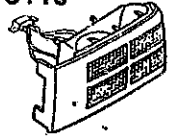
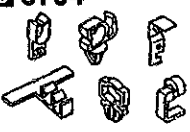
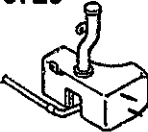
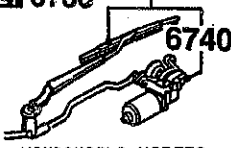
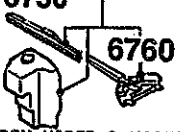
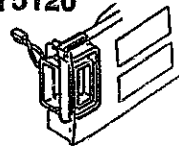

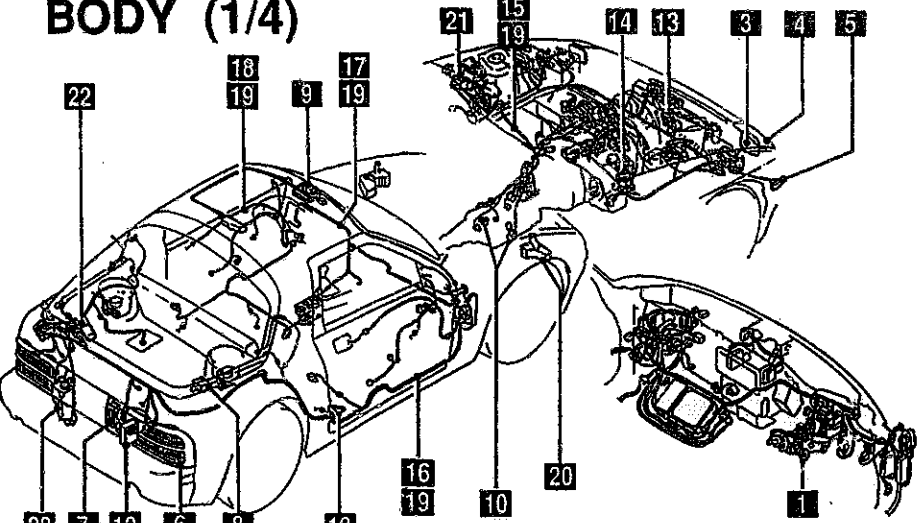
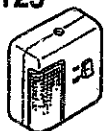
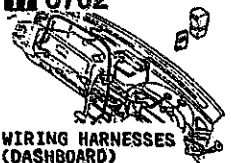





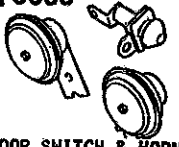
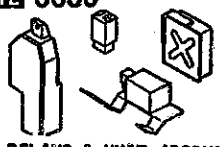
9 4360

 BRAKE PIPINGS

10 4370

 ANTILOCK BRAKE SYSTEM

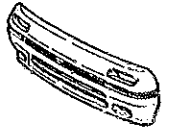








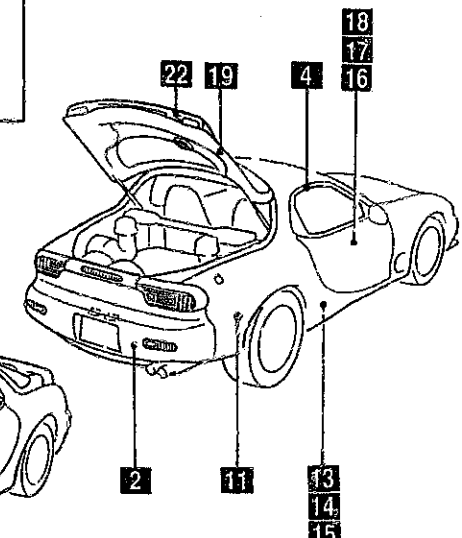


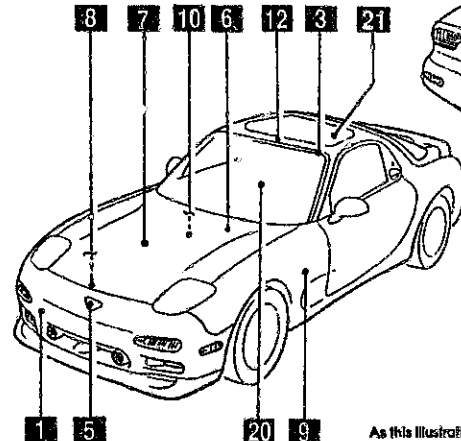
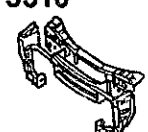









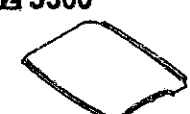
12 4500

 FUEL PIPINGS

11 4400

 PARKING BRAKE SYSTEM

PICTORIAL INDEX


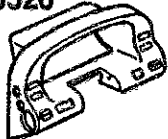
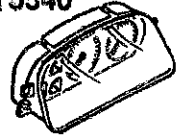
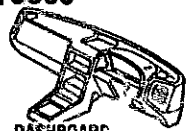
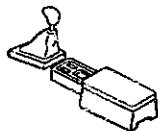
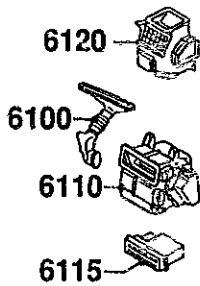
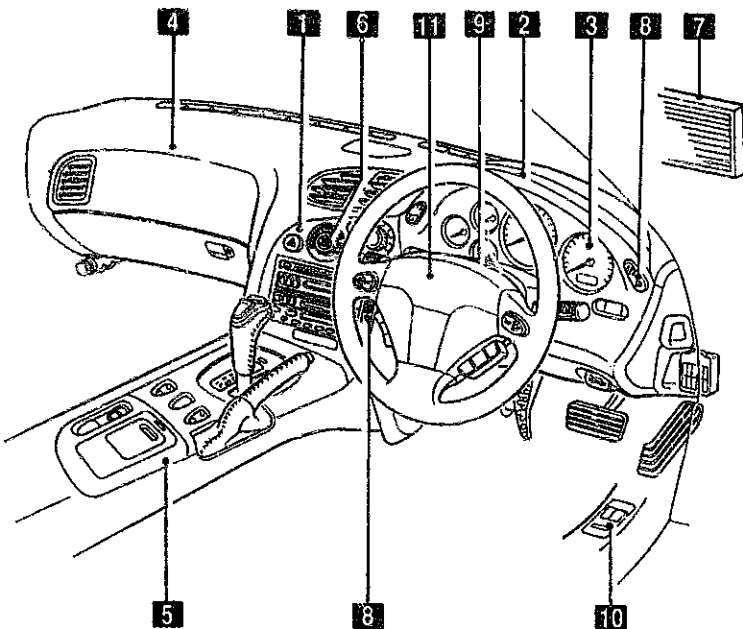

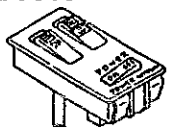
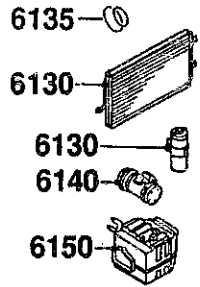
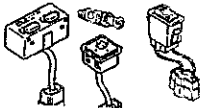
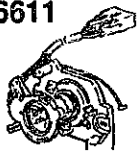
<p>1 0900</p>  <p>KEY SETS</p>	<p>2</p>	<p>3 5100</p>  <p>HEAD LAMPS</p>	<p>4 5103</p>  <p>HEAD LAMP RETRACTORS</p>	<p>5 5105</p>  <p>FRONT COMBINATION LAMPS</p>	<p>6 5110</p>  <p>REAR COMBINATION LAMPS</p>
<p>19 6704</p>  <p>WIRING HARNESS CLAMPS</p>	<p>20 6720</p>  <p>WINDSHIELD WASHER</p>	<p>21 6730</p>  <p>WINDSHIELD WIPERS</p>	<p>22 6750</p>  <p>WINDOW WIPER & WASHER (REAR)</p>	<p>7 5120</p>  <p>LICENSE LAMPS</p>	
<p>18 6703</p>  <p>WIRING HARNESSSES (DOOR, FLOOR/CEILING)</p>	<p>BODY (1/4)</p>  <p style="font-size: small; text-align: center;">As this illustration is prepared to be applicable to all models, some parts are different in specifications from parts listed in this parts Catalog.</p>				<p>8 5125</p>  <p>INTERIOR LAMPS</p>
<p>17 6702</p>  <p>WIRING HARNESSSES (DASHBOARD)</p>					<p>9 5130</p>  <p>OVERHEAD CONSOLE</p>
<p>16 6700</p>  <p>WIRING HARNESSSES (FRONT & REAR)</p>					<p>10 6600</p>  <p>SWITCHES & RELAYS (ENGINE)</p>
<p>15 6701</p>  <p>WIRING HARNESSSES (ENGINE & T/MISSION)</p>	<p>14 6640</p>  <p>AUTO CRUISE CONTROL SYSTEM</p>	<p>13 6635</p>  <p>DOOR SWITCH & HORNS</p>	<p>12 6630</p>  <p>RELAYS & UNIT (BODY)</p>	<p>11</p>	

PICTORIAL INDEX

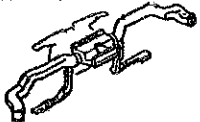


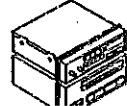
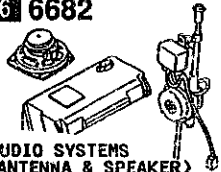
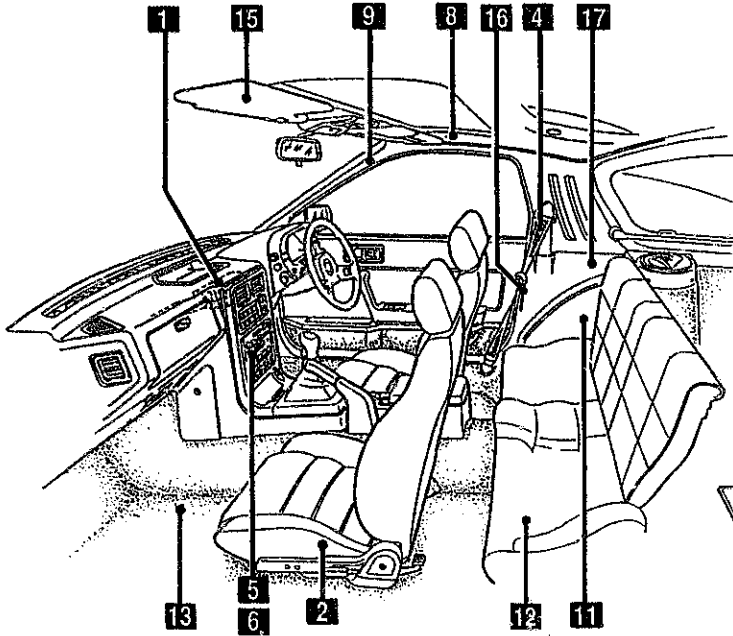
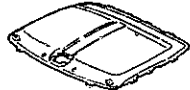


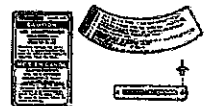

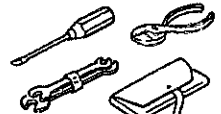
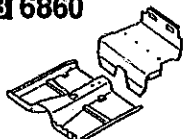
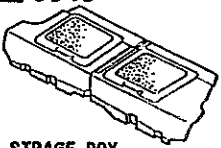
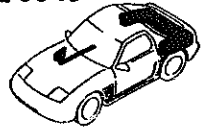
<p>1 5000</p>  <p style="text-align: center;">FRONT BUMPER</p>	<p>2 5010</p>  <p style="text-align: center;">REAR BUMPER</p>	<p>3 5030</p>  <p style="text-align: center;">WINDOW MOULDINGS</p>	<p>4 5040</p>  <p style="text-align: center;">BODY MOULDINGS</p>	<p>5 5170</p>  <p style="text-align: center;">ORNAMENTS</p>	<p>6 5180</p>  <p style="text-align: center;">COWL & EXTRACTOR GRILLES</p>
<p>20 6300</p>  <p style="text-align: center;">WINDOW GLASSES</p>	<p>21 6330</p>  <p style="text-align: center;">SUNROOF</p>	<p>22 7800</p>  <p style="text-align: center;">SPOILERS & RELATED PARTS</p>	<p>BODY (2/4)</p> 		<p>7 5230</p>  <p style="text-align: center;">BONNET</p>
<p>19 6230</p>  <p style="text-align: center;">LIFT GATE MECHANISMS</p>				<p>8 5310</p>  <p style="text-align: center;">FRONT PANELS</p>	
<p>18 5840</p>  <p style="text-align: center;">FRONT DOOR TRIMS & RELATED PARTS</p>				<p>9 5320</p>  <p style="text-align: center;">FENDER & WHEEL APRON PANELS</p>	
<p>17 5830</p>  <p style="text-align: center;">FRONT DOOR MECHANISMS</p>				<p>10 5330</p>  <p style="text-align: center;">DASH & COWL PANELS</p>	
<p>16 5800</p>  <p style="text-align: center;">FRONT DOORS</p>				<p>11 5340</p>  <p style="text-align: center;">SIDE PANELS</p>	
<p>15 5390</p>  <p style="text-align: center;">FLOOR ATTACHMENTS</p>	<p>14 5380</p>  <p style="text-align: center;">FLOOR ATTACHMENTS (HOLE COVERS)</p>	<p>13 5370</p>  <p style="text-align: center;">FLOOR PANELS</p>	<p>12 5360</p>  <p style="text-align: center;">ROOF PANELS</p>		

As this illustration is prepared to be applicable to all models, some parts are different in specifications from parts listed in this parts Catalog.

PICTORIAL INDEX

1 5500  DASHBOARD EQUIPMENTS	2 5520  METER HOOD	3 5540  METER COMPONENTS	4 5560  DASHBOARD & RELATED PARTS	5 5570  CONSOLE	6  6120 6100 6110 6115 HEATER
<h3 style="margin: 0;">BODY (3/4)</h3> 					
<small>As this illustration is prepared to be applicable to all models, some parts are different in specifications from parts listed in this parts Catalog.</small>					
			11 5795  AIR BAG	10 6615  POWER WINDOW SWITCHES	7  6135 6130 6130 6140 6150 AIR CONDITIONER
					8 6610  DASHBOARD SWITCHES
					9 6611  COMBINATION SWITCH

PICTORIAL INDEX

1 5580  VENTILATOR	2 5700  FRONT SEATS	3	4 5790  SEAT BELTS	5 6680  AUDIO SYSTEMS (RADIO & TAPE DECK)	6 6682  AUDIO SYSTEMS (ANTENNA & SPEAKER)
<h3 style="margin: 0;">BODY (4/4)</h3> 					
7					7
					8 6800  CEILING TRIMS
					9 6820  PILLAR TRIMS
17 7250  QUARTER WINDOW & TRIMS	As this illustration is prepared to be applicable to all models, some parts are different in specifications from parts listed in this parts Catalog.				10
16 6930  CAUTION PLATES & LABELS	15 6900  VISORS, ASSIST HANDLES & MIRRORS	14 6870  SERVICE TOOLS	13 6860  FLOOR MATS & PADS	12 6845  STORAGE BOX	11 6840  TRIMS & SCUFF PLATES

SECTION NAME INDEX (ENGINE)

LO.NO	SEC.NO	SECTION NAME	LO.NO	SEC.NO	SECTION NAME	LO.NO	SEC.NO	SECTION NAME
1-C03	1000	ENGINE & GASKET SETS	1-H11	1940	AUTOMATIC TRANSMISSION GOVERNO R, LOW & REVERSE PISTON			
1-D03	1030	ROTOR HOUSING	1-K11	1950	AUTOMATIC TRANSMISSION MANUAL LINKAGE SYSTEM			
1-G03	1040	OIL PAN, FRONT & REAR HOUSING	1-M11	1960	AUTOMATIC TRANSMISSION GASKET & SEAL KIT			
1-I03	1100	ECCENTRIC SHAFT & FLYWHEEL						
1-L03	1110	ROTORS & RELATED PARTS						
1-N03	1300	INLET MANIFOLD						
1-C04	1310	EXHAUST MANIFOLD						
1-D04	1311	INTER COOLER						
1-E04	1312	TURBO CHARGER						
1-G04	1313	TWIN TURBO AIR INTAKE SYSTEM						
1-I04	1320	FUEL SYSTEM						
1-K04	1325	FUEL DISTRIBUTOR						
1-M04	1330	AIR CLEANER						
1-D05	1364	THROTTLE BODY						
1-F05	1371	AIR PUMP & AIR CONTROL VALVE						
1-H05	1380	EMISSION CONTROL SYSTEM						
1-D06	1400	OIL PUMP & FILTER						
1-G06	1500	COOLING SYSTEM						
1-N06	1580	BRACKET, PULLEY & BELT						
1-C07	1600	CLUTCH DISC & COVER						
1-E07	1700	MANUAL TRANSMISSION CASE						
1-J07	1710	MANUAL TRANSMISSION GEARS						
1-D08	1720	MANUAL TRANSMISSION CHANGE CON TROL SYSTEM						
1-F08	1800	ENGINE ELECTRICAL SYSTEM						
1-I08	1830	ALTERNATOR						
1-K08	1840	STARTER (MT)						
1-M08	1840 A	STARTER (AT)						
1-C09	1850	BATTERY						
1-D09	1910	AUTOMATIC TRANSMISSION TORQUE CONVERTER, OIL PUMP & PIPINGS						
1-I09	1920	AUTOMATIC TRANSMISSION CASE & MAIN CONTROL SYSTEM						
1-C10	1925	AUTOMATIC TRANSMISSION CONTROL VALVE						
1-K10	1930	AUTOMATIC TRANSMISSION CLUTCHE S & PLANETARY GEARS						

CATLOG-NO= AUFAD6-04

DATE. 1997-01

PAGE. 1

SECTION NAME INDEX (CHASSIS)

LO.NO	SEC.NO	SECTION NAME	LO.NO	SEC.NO	SECTION NAME	LO.NO	SEC.NO	SECTION NAME
2-C03	2505	REAR PROPELLER SHAFT						
2-D03	2550	REAR DRIVE SHAFT						
2-E03	2600	REAR AXLE						
2-G03	2610	REAR BRAKE MECHANISMS						
2-J03	2710	REAR DIFFERENTIALS						
2-N03	2800	REAR SUSPENSION MECHANISMS						
2-C04	2810	REAR STABILIZER						
2-D04	2830	REAR LOWER ARMS & SUB FRAME						
2-G04	3200	STEERING WHEEL						
2-H04	3210	STEERING COLUMN & SHAFTS						
2-I04	3220	STEERING GEAR						
2-K04	3240	POWER STEERING SYSTEM						
2-N04	3300	FRONT AXLE						
2-N04	3310	FRONT BRAKE MECHANISMS						
2-C05	3400	FRONT SUSPENSION MECHANISMS						
2-F05	3410	CROSSMEMBER & STABILIZER						
2-G05	3700	TIRES & JACK						
2-C06	3900	ENGINE & T/MISSION MOUNTINGS						
2-D06	4000	EXHAUST SYSTEM						
2-G06	4140	CLUTCH RELEASE & MASTER CYLINDERS (MANUAL TRANSMISSION)						
2-I06	4145	CLUTCH PIPINGS (MANUAL TRANSMISSION)						
2-J06	4160	ACCELERATOR CONTROL SYSTEM						
2-K06	4200	FUEL TANK						
2-C07	4210	FUEL LID OPENER						
2-D07	4300	CLUTCH & BRAKE PEDALS (MANUAL TRANSMISSION)						
2-F07	4300A	BRAKE PEDALS (AUTOMATIC TRANSMISSION)						
2-G07	4340	BRAKE MASTER CYLINDER & POWER BRAKE						
2-I07	4360	BRAKE PIPINGS						
2-L07	4370	ANTILOCK BRAKE SYSTEM						
2-N07	4400	PARKING BRAKE SYSTEM						
2-C08	4500	FUEL PIPINGS						
2-F08	4600	CHANGE CONTROL SYSTEM (AT)						

CATLOG-NO= AUF006-04

DATE. 1997-01

PAGE. 2

SECTION NAME INDEX (BODY)

LO.NO	SEC.NO	SECTION NAME	LO.NO	SEC.NO	SECTION NAME	LO.NO	SEC.NO	SECTION NAME
2-C10	0900	KEY SETS	2-L16	5840	FRONT DOOR TRIMS & RELATED PARTS	3-K07	6704	WIRING HARNESS CLAMPS
2-E10	5000	FRONT BUMPER	3-C03	6100	HEATER	3-L07	6720	WINDSHIELD WASHER
2-H10	5010	REAR BUMPER	3-D03	6110	HEATER UNIT COMPONENTS	3-N07	6730	WINDSHIELD WIPERS
2-J10	5030	WINDOW MOULDINGS	3-E03	6115	HEATER CONTROLS COMPONENTS	3-D08	6740	WIPER MOTOR COMPONENTS (FRONT)
2-K10	5040	BODY MOULDINGS	3-F03	6120	HEATER BLOWER COMPONENTS	3-E08	6750	WINDOW WIPER & WASHER (REAR)
2-L10	5100	HEAD LAMPS	3-G03	6130	AIR CONDITIONER (DENSO MAKE)	3-H08	6760	WINDOW WIPER MOTOR COMPONENTS (REAR)
2-N10	5103	HEAD LAMP RETRACTORS	3-J03	6130A	AIR CONDITIONER (MANA MAKE)	3-I08	6800	CEILING TRIMS
2-D11	5105	FRONT COMBINATION LAMPS	3-M03	6135	AIR CONDITIONING COOLING PIPE 'O' RING	3-J08	6820	PILLAR TRIMS
2-I11	5110	REAR COMBINATION LAMPS	3-C04	6140	AIR CONDITIONING COMPRESSOR COMPONENTS (DENSO MAKE)	3-K08	6840	TRIMS & SCUFF PLATES
2-N11	5120	LICENSE LAMPS	3-E04	6140A	AIR CONDITIONING COMPRESSOR COMPONENTS (MANA MAKE)	3-N08	6845	STRAGE BOX
2-C12	5125	INTERIOR LAMPS	3-G04	6150	AIR CONDITIONING COOLING UNIT (DENSO MAKE)	3-C09	6860	FLOOR MATS & PADS
2-D12	5130	OVERHEAD CONSOLE	3-H04	6150A	AIR CONDITIONING COOLING UNIT (MANA MAKE)	3-F09	6870	SERVICE TOOLS
2-E12	5170	ORNAMENTS	3-J04	6230	LIFT GATE MECHANISMS	3-G09	6900	SUNVISORS, ASSIST HANDLES & MIRRORS
2-F12	5180	COWL & EXTRACTOR GRILLES	3-M04	6300	WINDOW GLASSES	3-J09	6930	CAUTION PLATES & LABELS
2-H12	5230	BONNET	3-N04	6330	SUNROOF	3-L09	7250	QUARTER WINDOW & TRIMS
2-J12	5310	FRONT PANELS	3-G05	6600	ENGINE SWITCHES & RELAYS	3-N09	7800	SPOILERS & RELATED PARTS
2-K12	5320	FENDER & WHEEL APRON PANELS	3-L05	6610	DASHBOARD SWITCHES			
2-N12	5330	DASH & COWL PANELS	3-M05	6611	COMBINATION SWITCH			
2-C13	5340	SIDE PANELS	3-N05	6615	POWER WINDOW SWITCHES			
2-G13	5360	ROOF PANELS	3-C06	6630	BODY RELAYS & UNIT			
2-H13	5370	FLOOR PANELS	3-E06	6635	DOOR SWITCH & HORNS			
2-J13	5380	FLOOR ATTACHMENTS (HOLE COVERS)	3-F06	6640	AUTO CRUISE CONTROL SYSTEM			
2-L13	5390	FLOOR ATTACHMENTS	3-G06	6680	AUDIO SYSTEMS (RADIO & TAPE DECK)			
2-C14	5500	DASHBOARD EQUIPMENTS	3-J06	6682	AUDIO SYSTEMS (ANTENNA & SPEAKER)			
2-D14	5520	METER HOOD	3-N06	6700	FRONT & REAR WIRING HARNESSES			
2-E14	5540	METER COMPONENTS	3-F07	6701	ENGINE & TRANSMISSION WIRING HARNESSES			
2-G14	5560	DASHBOARD & RELATED PARTS	3-H07	6702	DASHBOARD WIRING HARNESSES			
2-K14	5570	CONSOLE	3-J07	6703	DOOR, FLOOR & CEILING WIRING HARNESSES			
2-N14	5580	VENTILATOR						
2-C15	5700	FRONT SEATS						
2-D16	5790	SEAT BELTS						
2-E16	5795	AIR BAG						
2-F16	5800	FRONT DOORS						
2-I16	5830	FRONT DOOR MECHANISMS						

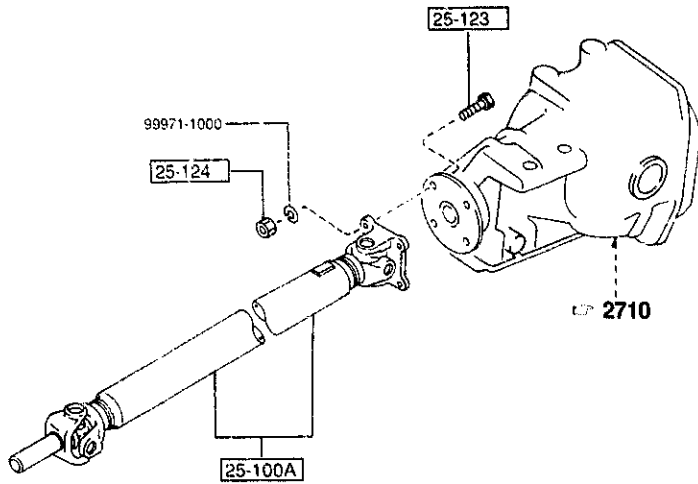
CATLOG-NO= AUF06-04

DATE. 1997-01

PAGE. 3

2505 REAR PROPELLER SHAFT

2505 -1 * REAR PROPELLER SHAFT



PART NO.	QTY	MODEL/RESTRICTION	MODEL/RESTRICTION	MODEL/RESTRICTION	FROM TO
25-100A		SHAFT, PROPELLER			
PF03-25-100	1	(MT)			
PF04-25-100	1	(AT)			
25-123		BOLT			
P011-25-123	4				
25-124		NUT			
1368-25-124	4				



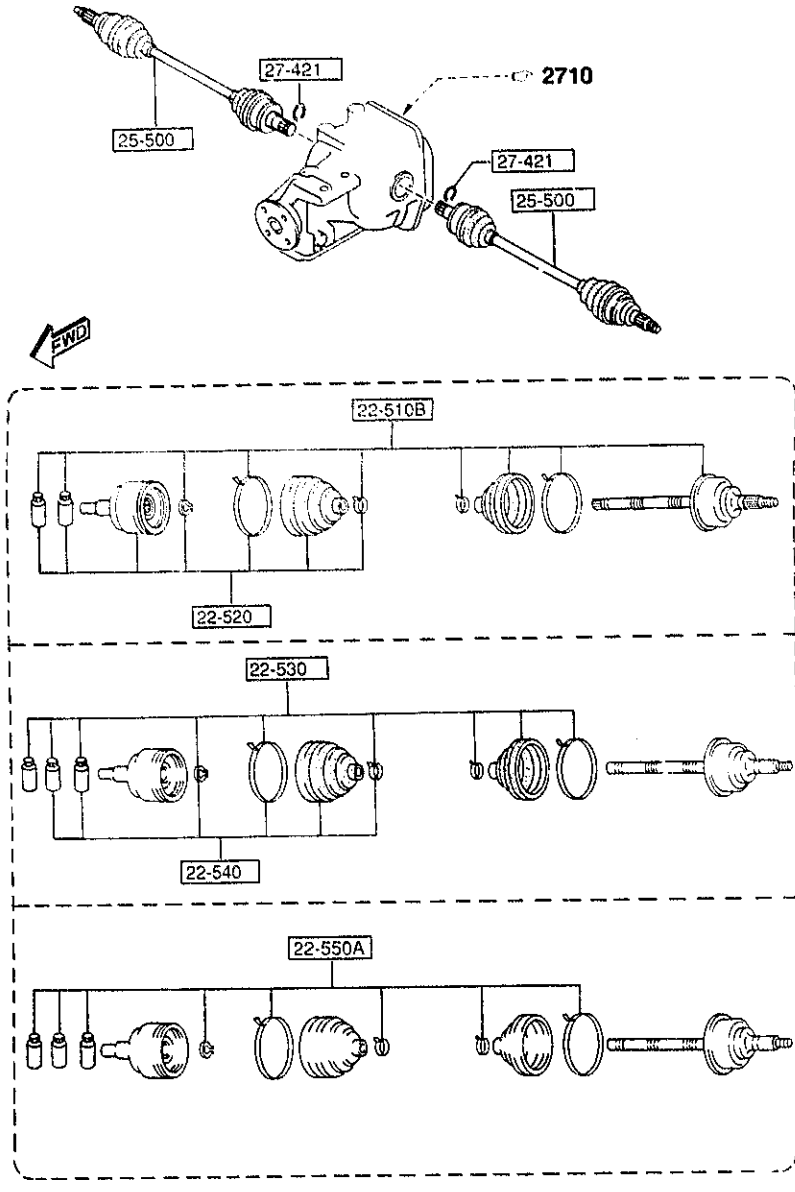
AUFA06

CAT. AUFA06-04

1997-01

2550 -1 * REAR DRIVE SHAFT

2550 REAR DRIVE SHAFT



PART NO.	QTY	MODEL/RESTRICTION	MODEL/RESTRICTION	MODEL/RESTRICTION	FROM - TO
22-510B		JOINT SET, OUTER			
MA10-22-510	2				
22-520		JOINT SET, INNER			
MA10-22-520	2				
22-530		BOOT SET, OUTER JOINT			
MA10-22-530	2				
22-540		BOOT SET, INNER JOINT			
MA10-22-540	2				
22-550A		CLIP SET, DRIVE SHAFT			
MA10-22-550	2				
25-500		SHAFT, DRIVE			
MA10-25-500	2				
27-421		CLIP			
P017-27-421A	2				

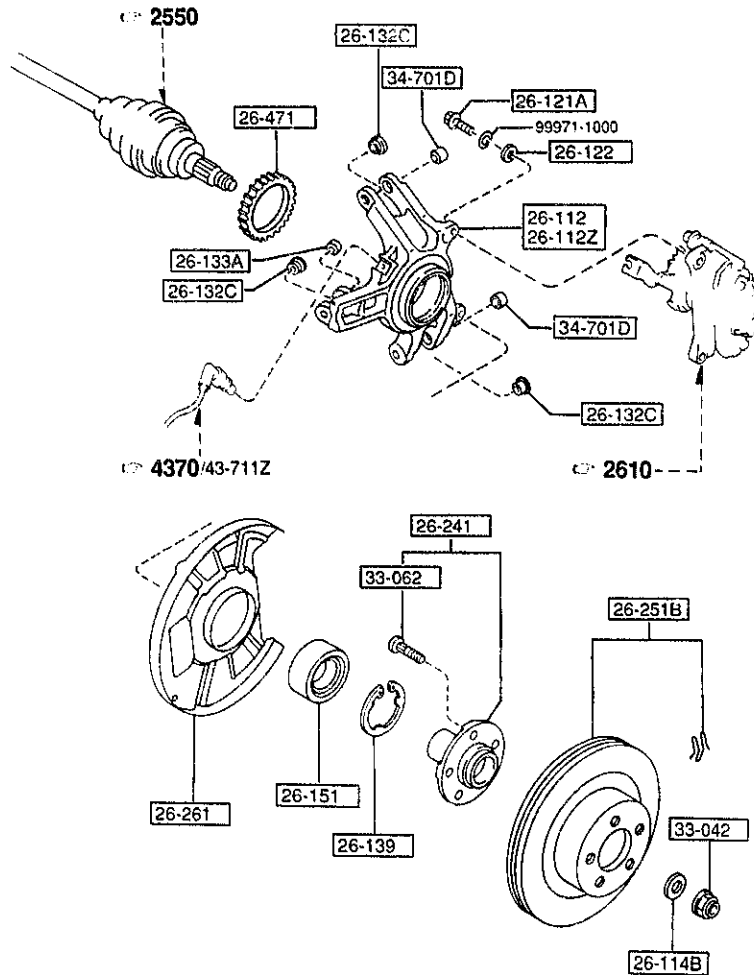
AUFA06

CAT. AUFA06-04

1997-01

2600 -1 REAR AXLE

2600 REAR AXLE



PART NO.	QTY	MODEL/RESTRICTION	MODEL/RESTRICTION	MODEL/RESTRICTION	FROM-TO
26-112		HUB(R),SUPPORT			
FD01-26-112	1				
26-112Z		HUB(L),SUPPORT			
FD01-26-122	1				
26-114B		WASHER,PLAIN			
J001-26-114	2				
26-121A		BOLT,REAR BRAKE			
FB01-26-121A	4				
26-122		WASHER,PLAIN-REAR BRAKE			
FB01-26-122	4				
26-132C		WASHER,SLEEVE-REAR BRAKE			
FD01-26-132A	6				
26-133A		SLEEVE			
FD01-26-133B	2				
26-139		RING,RETAINING			
J001-26-139A	2				
26-151		BEARING,WHEEL			
J001-26-151	2				
26-241		FLANGE,REAR AXLE			
FD04-26-240A (J001-26-240B)	2				
J001-26-240B	2				
26-251B		PLATE,DISC			
FD01-26-25X	2				
26-261		COVER,DUST			
FD01-26-261	2				
26-471		ROTOR,SENSOR-RR A.B.S.			
FD04-26-471	2				

4C01 FD333 -400022

-4C01
4C01-

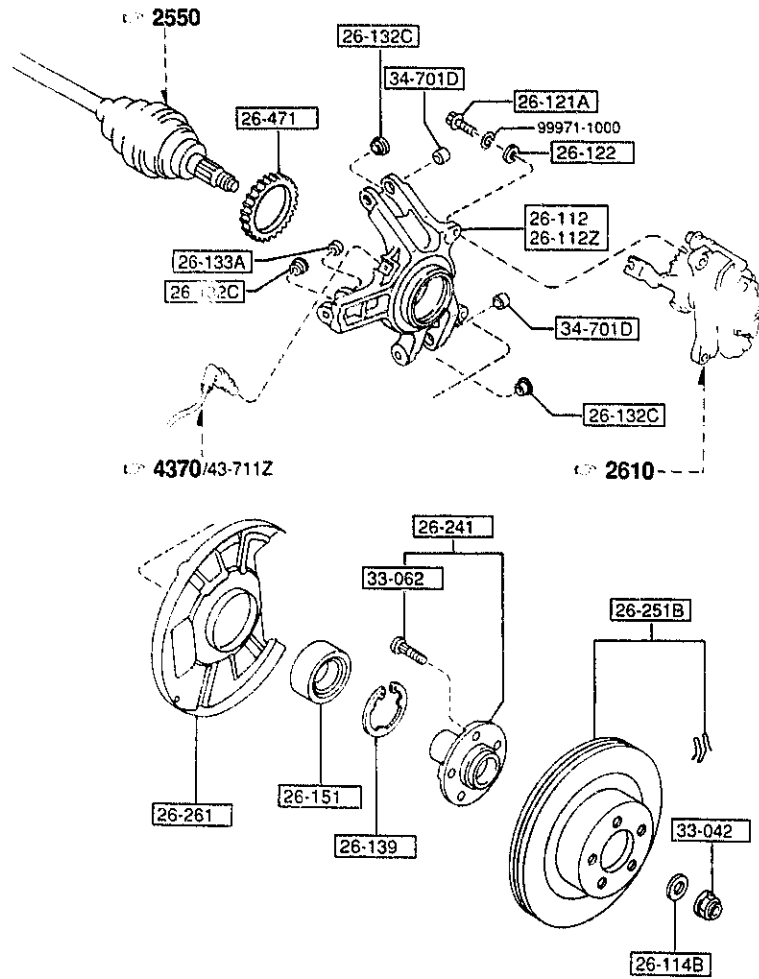
AUFA06

CAT. AUFA06-04

1997-01

2600 -2 * REAR AXLE

2600 REAR AXLE



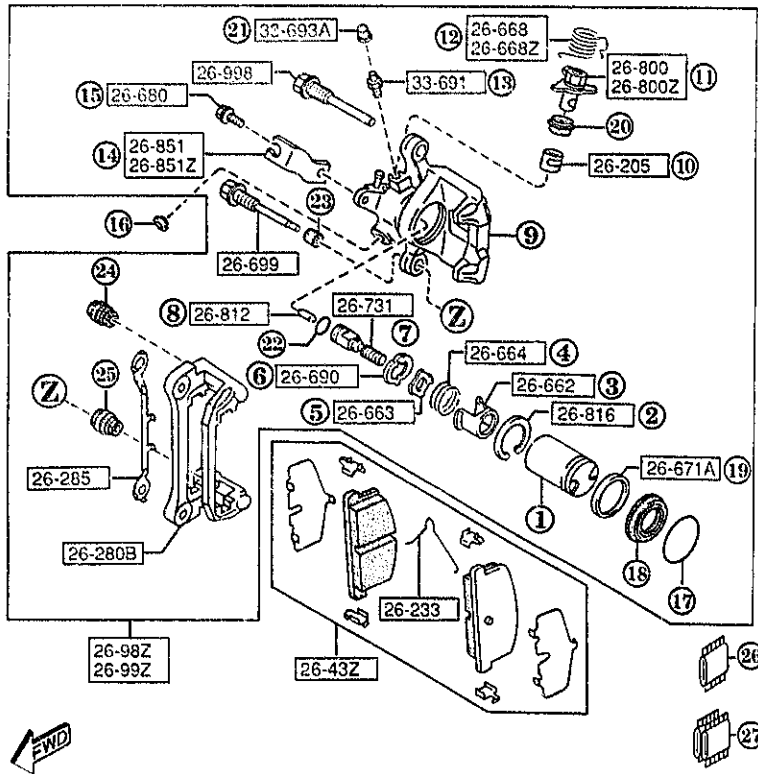
PART NO.	QTY	MODEL/RESTRICTION	MODEL/RESTRICTION	MODEL/RESTRICTION	FROM-10
33-042 LA01-33-042B	2	NUT			
33-062 B455-33-062	10	BOLT, HUB			
34-701D FD01-34-701B	4	SLEEVE			



AUFA06

CAT. AUFA06-04

1997-01



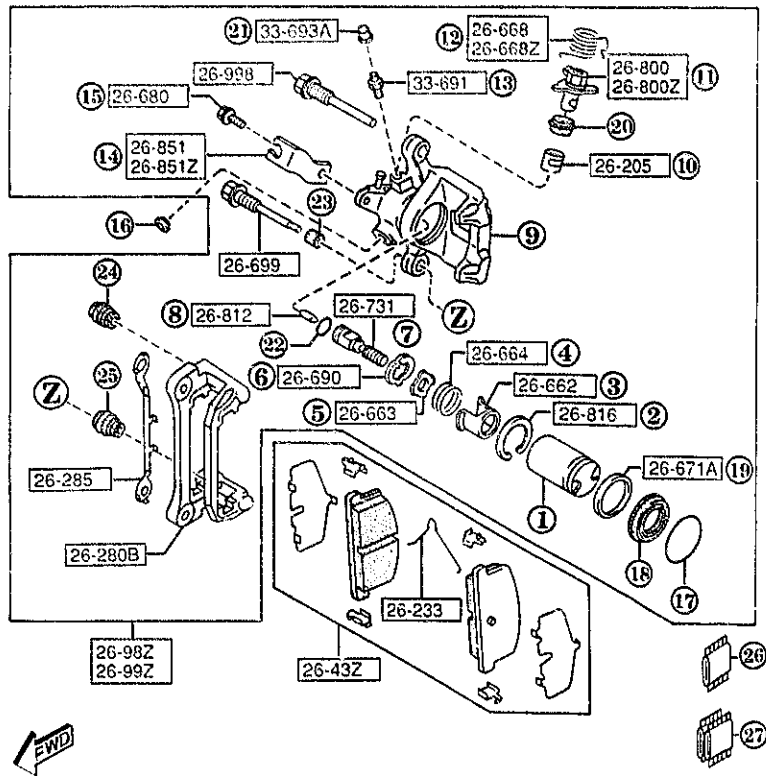
NOTE
 ① ... ②③ ⇨ 26-610
 26-610Z
 THE D-CODE OF 26-610
 26-610Z CONSISTS OF
 FIGURE NUMBERS ① THROUGH ②③.

NOTE
 ①⑦ ... ②⑦ ⇨ 26-46Z
 THE D-CODE OF 26-46Z CONSISTS OF
 FIGURE NUMBERS ①⑦ THROUGH ②⑦.

THOUGH ILLUSTRATIONS OF D-CODE 26-43Z AND 26-46Z
 ARE FOR LEFT SIDE ONLY, QUANTITIES OF THESE D-CODES
 IN THE TEXT ARE FOR ONE VEHICLE.

PART NO.	QTY	MODEL/RESTRICTION	MODEL/RESTRICTION	MODEL/RESTRICTION	FROM-TO
26-205		BEARING			
H001-26-205	2				
26-233		SPRING*V',REAR BRAKE			
FD01-26-233	2				
26-280B		SUPPORT,MOUNTING			
FD01-26-281	2				
26-285		PLATE, GUARD-CALIPER BRAKE			
FD01-26-285A	2				
26-43Z		PAD SET,RR CALIPER NON ASBESTOS			
FDY1-26-43Z AN(FDY1-26-43ZA)	1				
*FDY1-26-43ZA	1				-5C01 5C01-
26-46Z		SEAL & BOOT SET,CAL. -RR			
FDY1-26-46Z	1				
26-610		BODY & PISTON(R),CAL IPER			
FD01-26-61X	1				
26-610Z		BODY & PISTON(L),CAL IPER			
FD01-26-71X	1				
26-662		COVER,CASE			
B462-26-662	2				
26-663		WASHER, SPRING			
B462-26-663	2				
26-664		SPRING			
B462-26-664	2				
26-668		SPRING(R), LEVER			
FD01-26-668	1				
26-668Z		SPRING(L), LEVER			
FD01-26-669	1				

5C01 FD333 -400331



NOTE

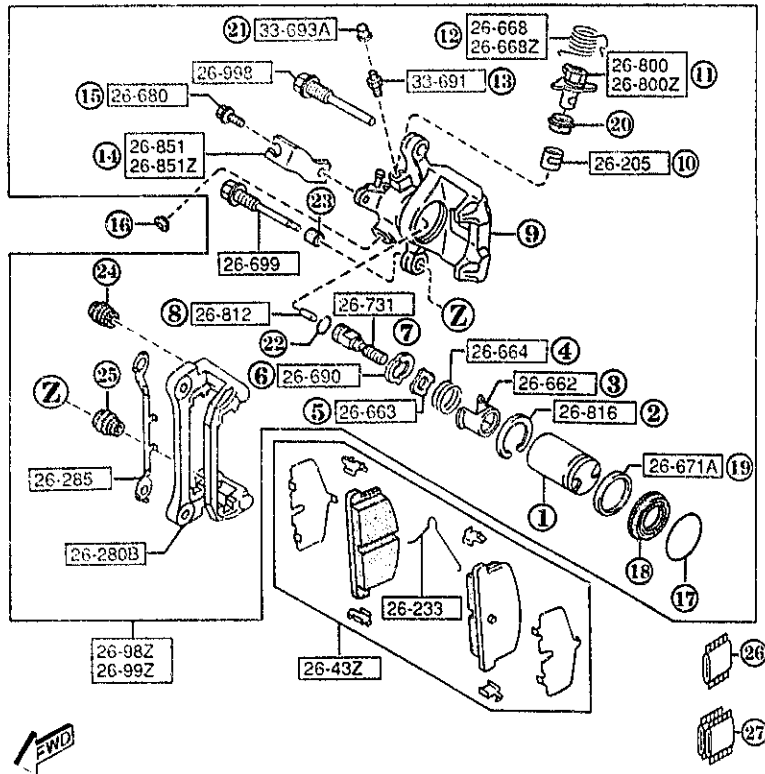
① ... ② ⇒ 26-610
26-610Z
THE D-CODE OF 26-610
26-610Z CONSISTS OF
FIGURE NUMBERS ① THROUGH ②.

NOTE

①7 ... ②7 ⇒ 26-46Z
THE D-CODE OF 26-46Z CONSISTS OF
FIGURE NUMBERS ①7 THROUGH ②7.

THOUGH ILLUSTRATIONS OF D-CODE 26-43Z AND 26-46Z
ARE FOR LEFT SIDE ONLY. QUANTITIES OF THESE D-CODES
IN THE TEXT ARE FOR ONE VEHICLE.

PART NO.	QTY	MODEL/RESTRICTION	MODEL/RESTRICTION	MODEL/RESTRICTION	FROM-TO
26-671A		SEAL, PISTON			
1243-26-671	2				
26-680		BOLT			
FA18-26-680	2				
26-690		STOPPER, CALIPER-RR			
8462-26-690	2				
26-699		PIN, LOCK			
FD01-26-699	2				
26-731		SPINDLE, ADJUSTER			
FD01-26-731	2				
26-800		LEVER(R), OPERATING			
FD01-26-800	1				
26-800Z		LEVER(L), OPERATING			
FD01-26-810	1				
26-812		LINK, CONNECTING			
H001-26-812	2				
26-816		RING, SNAP-RR CALIPER			
GJ25-26-816	2				
26-851		BRACKET(R), CABLE			
FD01-26-851	1				
26-851Z		BRACKET(L), CABLE			
FD01-26-861	1				
26-98Z		CALIPER(R), PADLESS-R			
FD01-26-98Z	1				
26-99Z		CALIPER(L), PADLESS-R			
FD01-26-99Z	1				
26-998		PIN, GUIDE			
FD01-26-998	2				



NOTE
 ① ... ②② ⇨ 26-610
 26-610Z
 THE D-CODE OF 26-610
 26-610Z CONSISTS OF
 FIGURE NUMBERS ① THROUGH ②②.

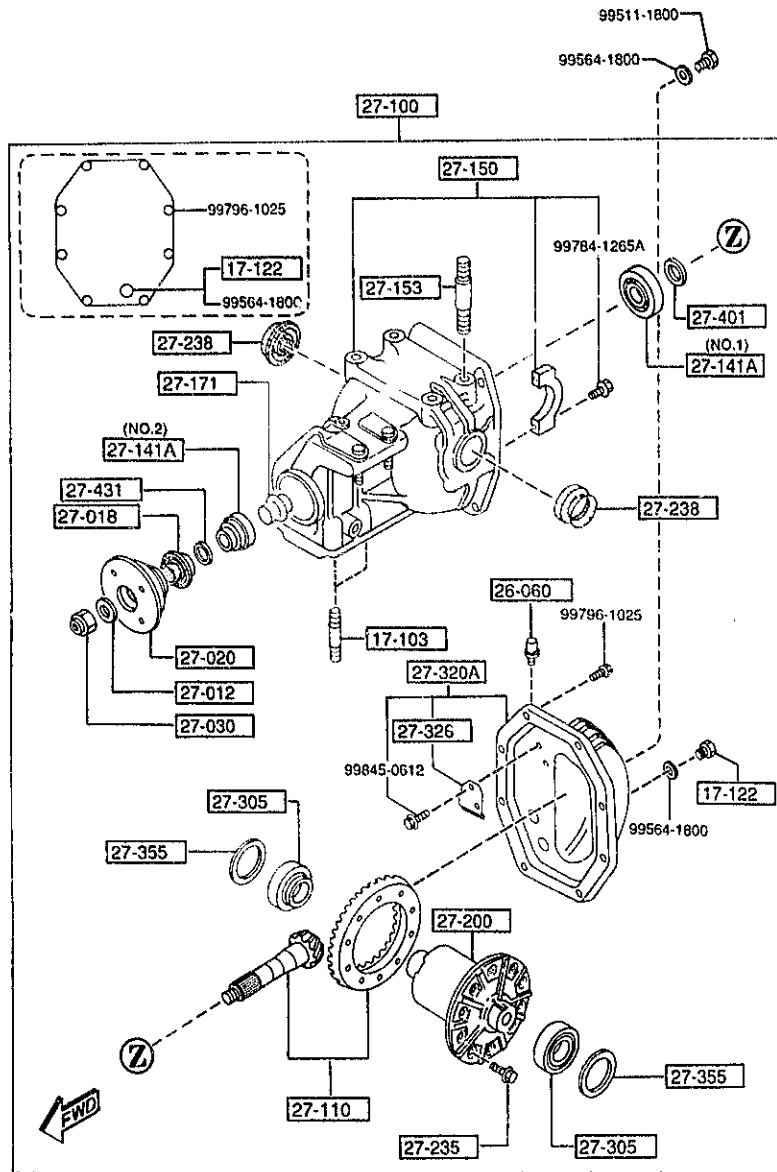
NOTE
 ①⑦ ... ②⑦ ⇨ 26-46Z
 THE D-CODE OF 26-46Z CONSISTS OF
 FIGURE NUMBERS ①⑦ THROUGH ②⑦.

THOUGH ILLUSTRATIONS OF D-CODE 26-43Z AND 26-46Z
 ARE FOR LEFT SIDE ONLY. QUANTITIES OF THESE D-CODES
 IN THE TEXT ARE FOR ONE VEHICLE.

PART NO.	QTY	MODEL/RESTRICTION	MODEL/RESTRICTION	MODEL/RESTRICTION	FROM-TO
33-691		SCREW, BLEEDER			
0233-33-691	2				
33-693A		CAP, BLEEDER SCREW			
1316-33-693	2				

2710 REAR DIFFERENTIALS

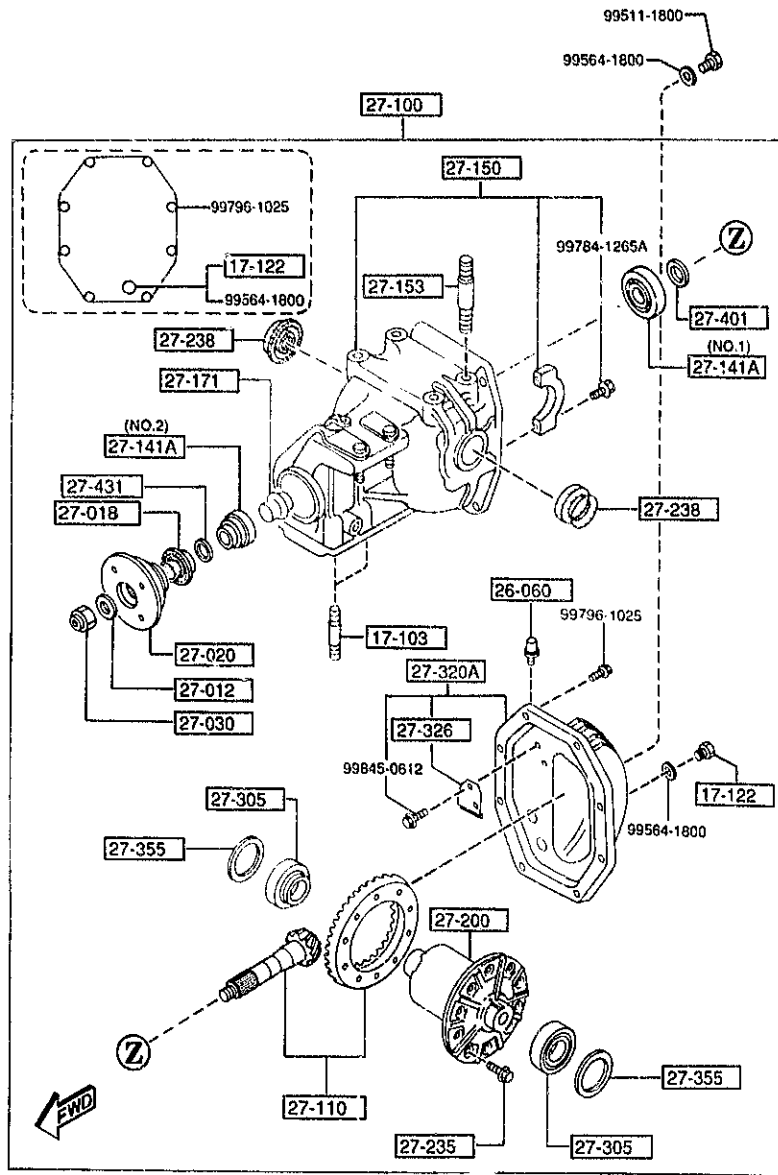
2710 -2 REAR DIFFERENTIALS



PART NO.	QTY	MODEL/RESTRICTION	MODEL/RESTRICTION	MODEL/RESTRICTION	FROM-TO
CONT'D					
0604-27-220	1	(ILLUST. NO. 2)			
27-150		CARRIER, DIFFERENTIAL			
R005-27-150	1				
27-153		BOLT			
R003-27-153	4				
27-171		PIECE, DISTANCE			
R004-27-171	1				
27-200		DIFFERENTIAL			
P099-27-200E	1	(MT)			
R008-27-200B	1	(AT)			
27-235		BOLT, RING GEAR			
8051-27-235	10	D=10.0MM			
8051-27-236	10	D=10.2MM			
27-238		SEAL, OIL			
P043-27-238	2				
R004-27-238	2				
27-305		BEARING			
O118-27-350A	2				
27-320A		COVER, REAR			
R005-27-320	1				
27-326		PLATE, BAFFLE			
M005-27-326A	1				
27-355		SHIM, ADJUST			
R001-27-355	2	T=5.5MM			
R001-27-356	2	T=5.6MM			
R001-27-357	2	T=5.65MM			
R001-27-358	2	T=5.7MM			
4C01 FD333 -400022					

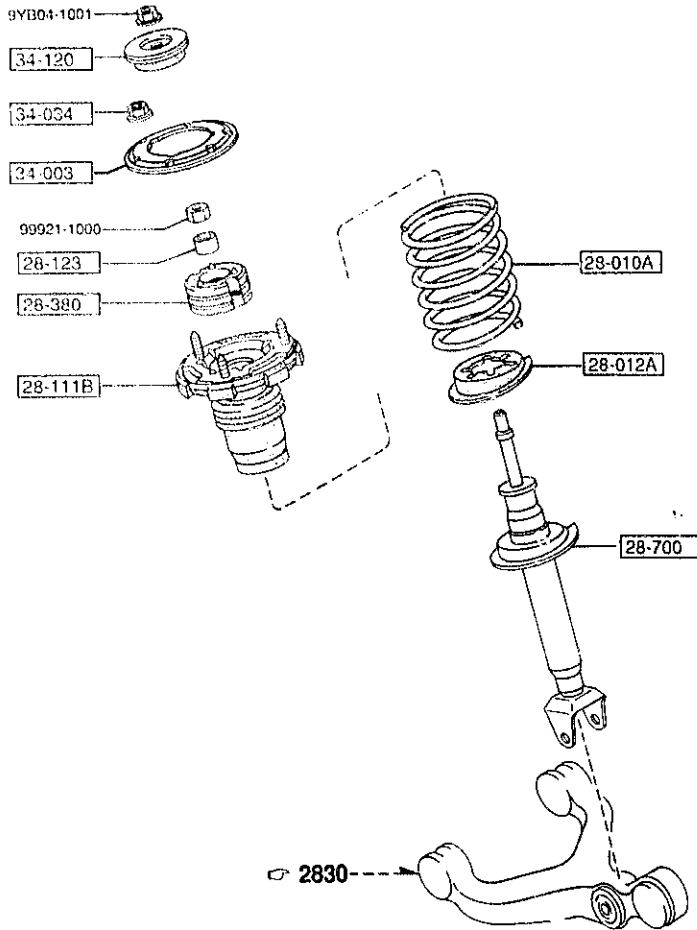
-4C01
4C01-

2710 REAR DIFFERENTIALS



PART NO.	QTY	MODEL/RESTRICTION	MODEL/RESTRICTION	MODEL/RESTRICTION	FROM-TO
CONT'D	2				
R001-27-359	2	T=5.75MM			
R001-27-361	2	T=5.8MM			
R001-27-362	2	T=5.85MM			
R001-27-363	2	T=5.9MM			
R001-27-364	2	T=5.95MM			
R001-27-365	2	T=6MM			
R001-27-366	2	T=6.05MM			
R001-27-367	2	T=6.1MM			
R001-27-368	2	T=6.15MM			
R001-27-369	2	T=6.2MM			
R001-27-371	2	T=6.25MM			
R001-27-372	2	T=6.3MM			
R001-27-373	2	T=6.35MM			
R001-27-374	2	T=6.4MM			
R001-27-375	2	T=6.5MM			
27-401		SPACER			
R001-27-401	1	T=3.47MM			
R001-27-402	1	T=3.08MM			
R001-27-403	1	T=3.11MM			
R001-27-404	1	T=3.14MM			
R001-27-405	1	T=3.17MM			
R001-27-406	1	T=3.2MM			

2800 REAR SUSPENSION MECHANISMS



PART NO.	QTY	MODEL/RESTRICTION	MODEL/RESTRICTION	MODEL/RESTRICTION	FROM 10
28-010A		SPRING, COIL-REAR			
FD15-28-011B	2				
28-012A		SHEET, RUBBER			
FD01-28-012	2				
28-111B		STOPPER, BUMP			
FD15-28-110A	2				
28-123		SPACER			
FD01-28-123A	2				
28-380		RUBBER, MOUNTING			
FD15-28-380A	2				
28-700		DAMPER, REAR			
FD15-28-700A	2	(NOR. SUSP)			
*FD16-28-700A	2	(HARD SUSP)			
34-003		SHEET, FRT DAMPER			
FD01-34-003	2				
34-034		NUT, FLANGE			
H380-34-034A	6				
34-120		STOPPER			
FD01-34-120	2				



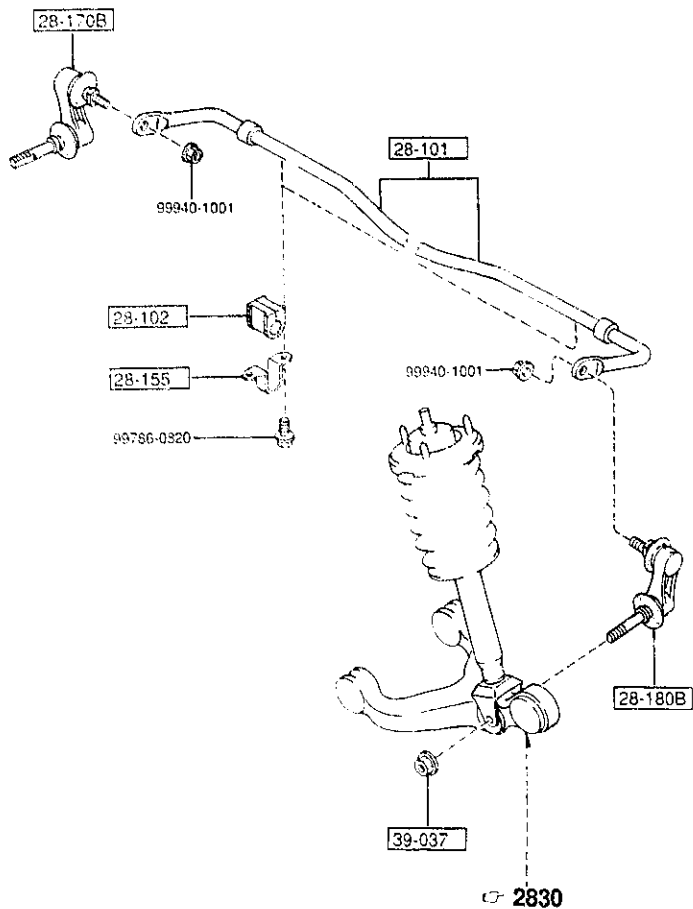
AUFA06

CAT. AUFA06-04

1997-01

2810 -1 * REAR STABILIZER

2810 REAR STABILIZER



PART NO.	QTY	MODEL/RESTRICTION	MODEL/RESTRICTION	MODEL/RESTRICTION	FROM-TO
28-101		STABILIZER,RR			
FD15-28-151A	1	(HARD SUSP)			
F123-28-151	1	(NOR. SUSP)			
28-102		BUSH,STABILIZER-RR			
FD15-28-156A	2	(HARD SUSP)			
F123-28-156	2	(NOR. SUSP)			
28-155		PLATE,STABILIZER-RR			
FD01-28-155A	2				
28-170B		LINK,CONTROL-STAB			
FD01-28-170B	1				
28-180B		LINK,CONTROL			
FD01-28-180B	1				
39-037		NUT			
B001-39-037B	2				



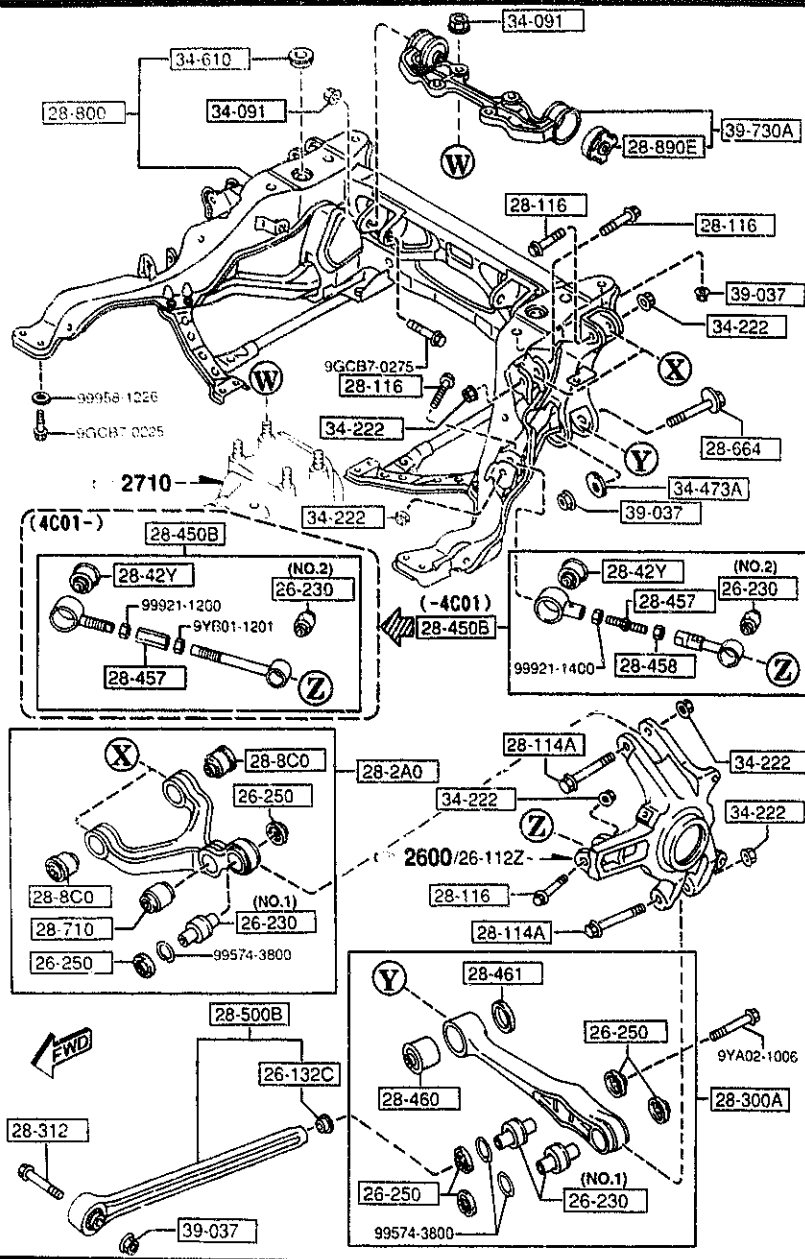
AUFA06

CAT. AUFA06-04

1997-01

2830 REAR LOWER ARMS & SUB FRAME

2830 -1 REAR LOWER ARMS & SUB FRAME



PART NO.	QTY	MODEL/RESTRICTION	MODEL/RESTRICTION	MODEL/RESTRICTION	FROM TO
26-132C		WASHER, SLEEVE-REAR B			
FD01-26-132A	2	RAKE			
26-230		BALL, PILLOW-RR LOWER			
FD01-26-220	6	ARM (ILLUST. NO.1)			
FD01-26-230	2	(ILLUST. NO.2)			
26-250		RUBBER, SEAL-RR LOWER			
FD01-26-250	12	ARM			
28-114A		BOLT			
FD01-28-114	4				
28-116		BOLT			
FD01-28-116	8				
28-2A0		ARM, UPPER-REAR			
FD01-28-2A0B	2	(HARD SUSP)			
F123-28-2A0A	2	(NOR. SUSP)			
28-300A		ARM, LOWER-REAR			
FD01-28-300B	2				
28-312		BOLT 'A', LINK			
H266-28-312	2				
28-42Y		BUSH, PILLOW BALL			
FD01-28-42Y	2				
28-450B		LINK, TOE CONTROL			
FD01-28-450B	2				-4C01
AN(FD02-28-450)					
FD02-28-450	2				4C01-
28-457		BOLT			
FD01-28-457	2				-4C01
FD02-28-456	2				4C01-
28-458		NUT			
FD01-28-458	2				-4C01
4C01 FD333 -400022					

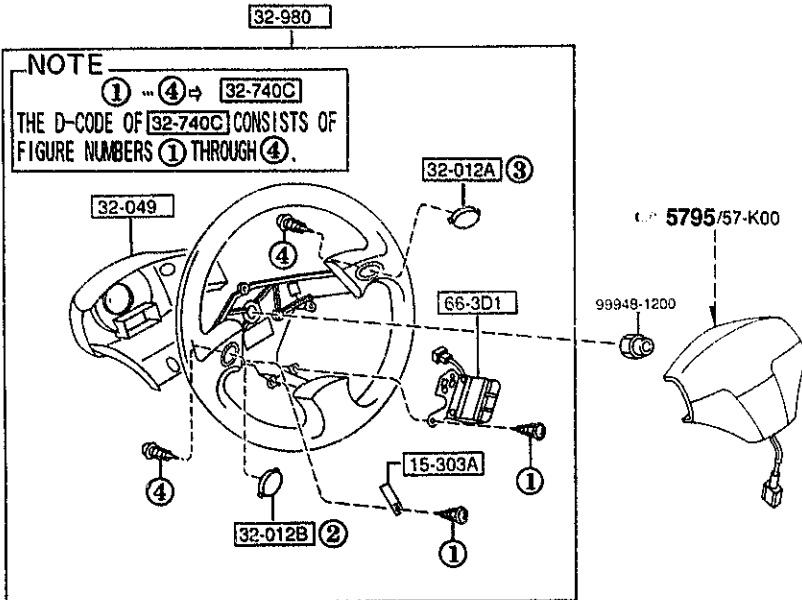
AUFA06

CAT. AUFA06-04

1997-01

3200 STEERING WHEEL

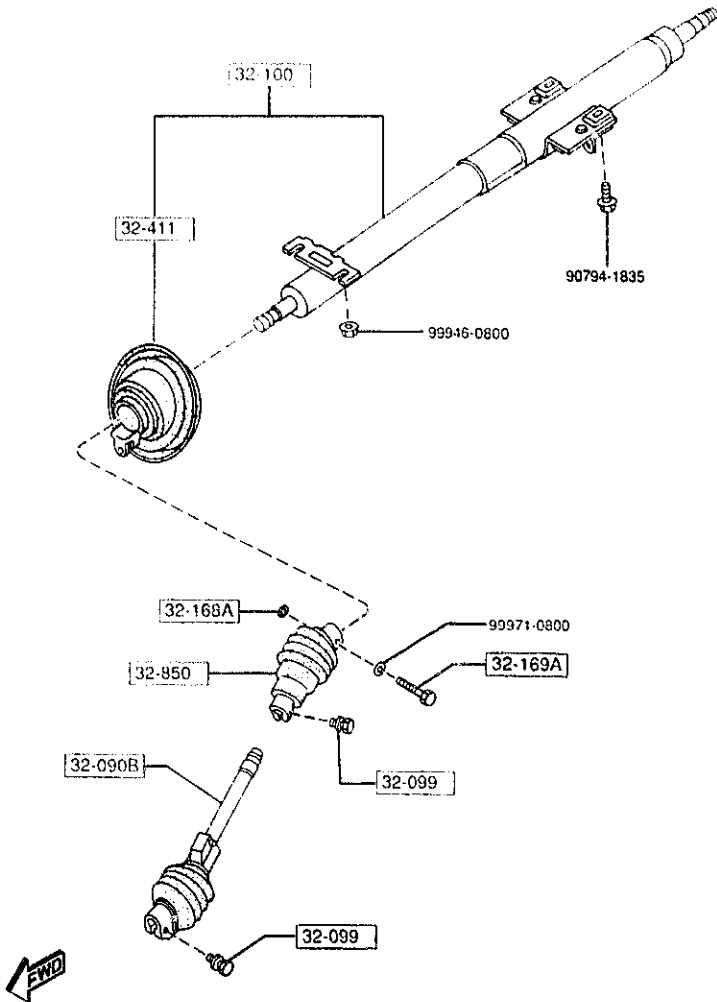
3200 -1 * STEERING WHEEL



PART NO.	QTY	MODEL/RESTRICTION	MODEL/RESTRICTION	MODEL/RESTRICTION	FROM TO
15-303A		CLIP			
2667-15-303A	2				
32-012A		BUTTON(R),HORN			
FD01-32-01X	1				
32-012B		BUTTON(L),HORN			
FD01-32-010	1				
32-049		COVER,WHEEL CORE			
FD01-32-049	1	(NOR. SUSP)			
FD03-32-049	1	(HARD SUSP)			
32-740C		PARTS SET,ST. WHEEL			
FD01-32-750	1				
32-980		BOSS,STEERING WHEEL			
FD01-32-980E	1	(NOR. SUSP)			
FD03-32-980E	1	(HARD SUSP)			
66-3D1		SWITCH,AUTOCRUISE			
FD01-66-3D1A	1	(NOR. SUSP)			

3210 -1 * STEERING COLUMN & SHAFTS

3210 STEERING COLUMN & SHAFTS



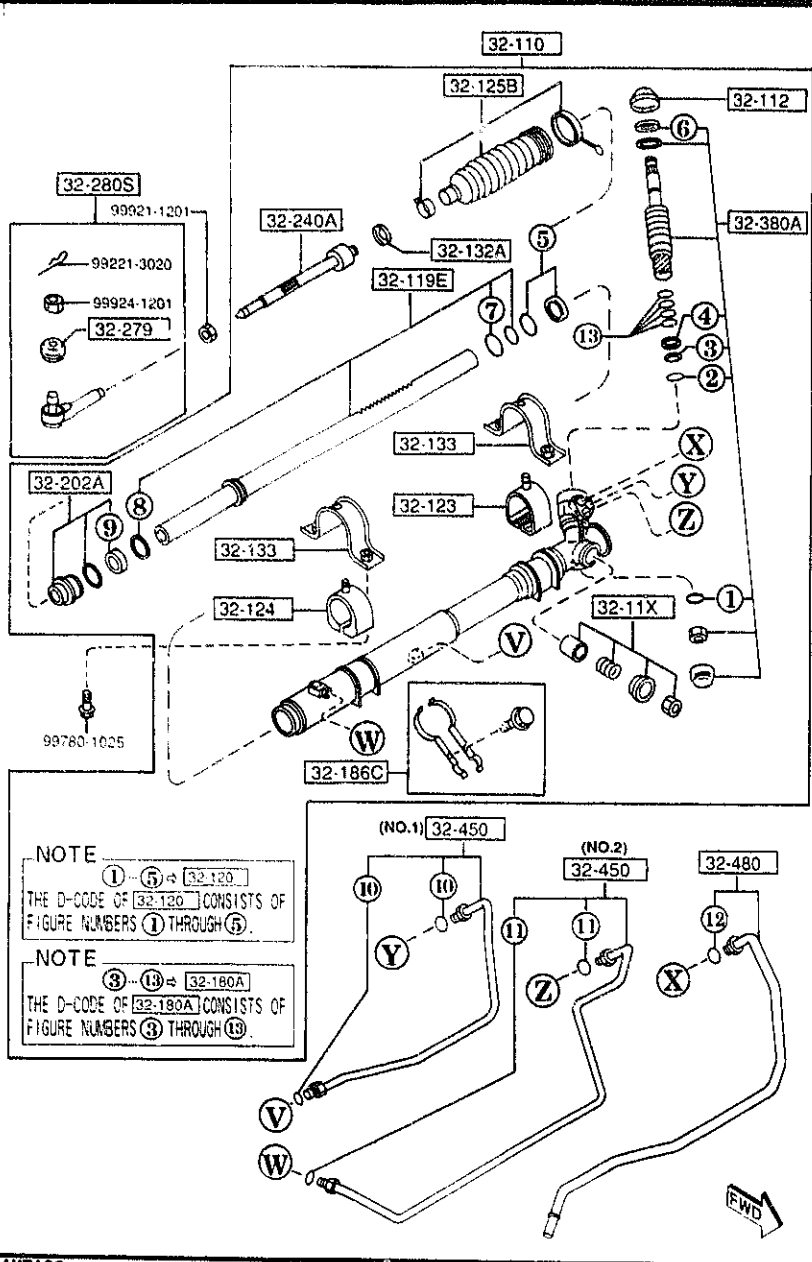
PART NO.	QTY	MODEL/RESTRICTION	MODEL/RESTRICTION	MODEL/RESTRICTION	FROM TO
32-090B		SHAFT, INTERMED.			
FD01-32-090A	1				
32-099		BOLT, SHAFT			
B455-32-099	2				
32-100		SHAFT, ENGY. ABSORBER			
FD15-32-100	1				
32-168A		WASHER, STOP			
FB01-32-168	1				
32-169A		BOLT			
B001-32-169A	1				
32-411		COVER, DUST			
FD15-32-411	1				
32-850		JOINT, STEERING			
FD15-32-850	1				

AUFA06

CAT. AUFA06-04

1997-01

3220 STEERING GEAR



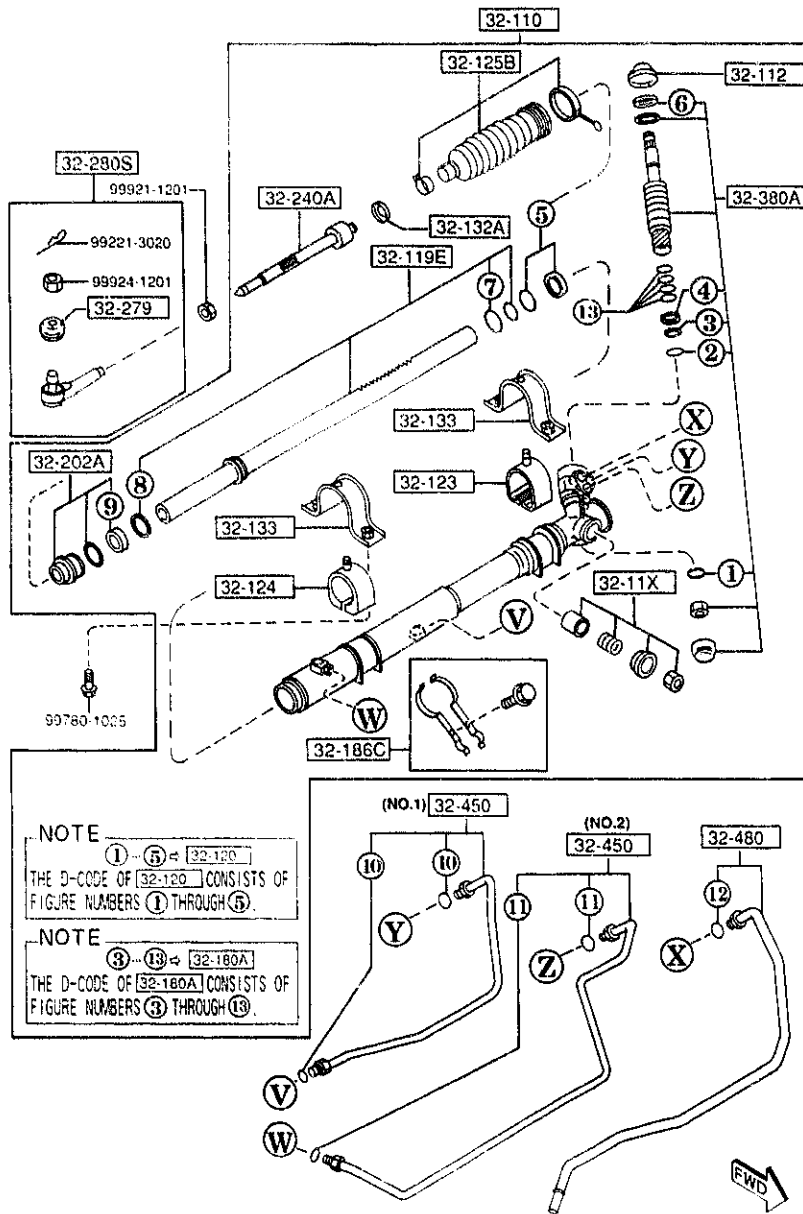
NOTE
 ①-⑤ → 32-120
 THE D-CODE OF 32-120 CONSISTS OF
 FIGURE NUMBERS ① THROUGH ⑤.

NOTE
 ③-⑬ → 32-180A
 THE D-CODE OF 32-180A CONSISTS OF
 FIGURE NUMBERS ③ THROUGH ⑬.

PART NO.	QTY	MODEL/RESTRICTION	MODEL/RESTRICTION	MODEL/RESTRICTION	FROM TO
32-11X	1	YOKES SET,SUPPORT-ST. GEAR			
FD01-32-11X					
32-110	1	GEAR,STEERING			
FD15-32-110B					
32-112	1	COVER,DUST			
FD01-32-112					
32-119E	1	RACK,STEERING GEAR			
FD01-32-119A					
32-120	1	HOUSING,GEAR			
FD01-32-120					
32-123	1	RUBBER,MOUNTING			
F110-32-123					
32-124	1	RUBBER,MOUNTING			
FD01-32-124					
32-125B	1 (FOR RIGHT)	BOOT,RACK			
FD01-32-125A					
FD02-32-125A	1 (FOR LEFT)				
32-132A	2	WASHER			
FD01-32-132					
32-133	2	PLATE,CLAMP			
FD01-32-133					
32-180A	1	SEAL KIT,ST. GEAR			
FD01-32-180					
32-186C	1	CLIP KIT,ST. GEAR			
FD01-32-186					
32-202A	1	STOPPER,RACK-ST. GEAR			
FD01-32-202					

3220 STEERING GEAR

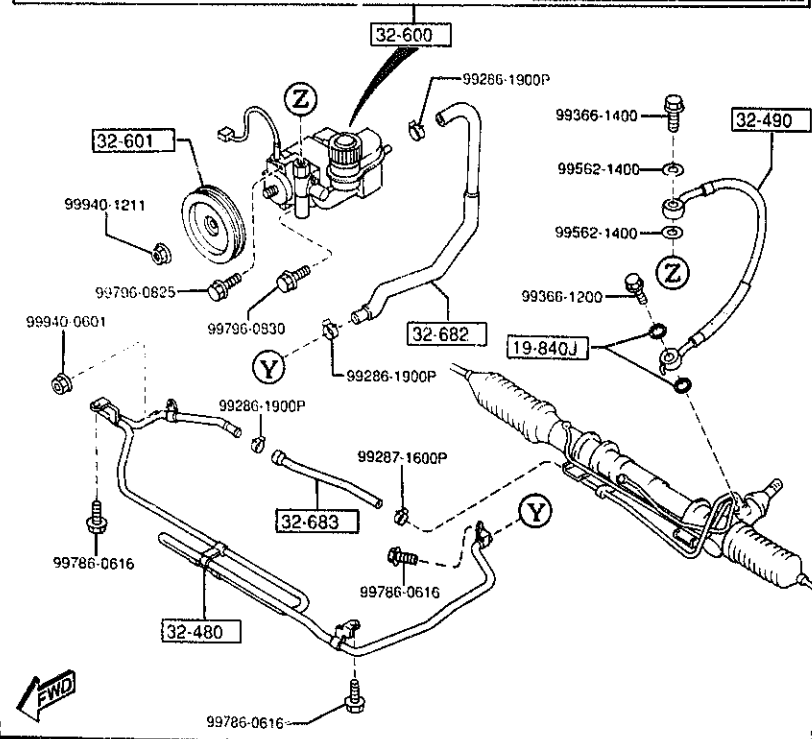
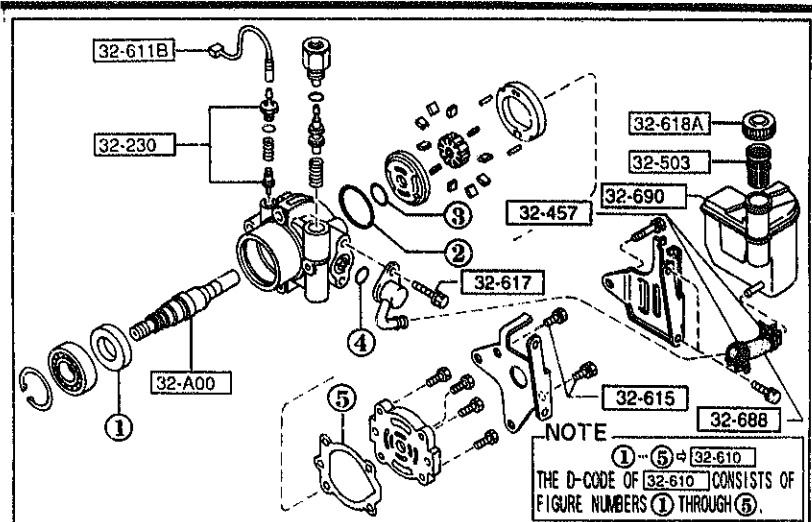
3220 -2 * STEERING GEAR



PART NO.	QTY	MODEL/RESTRICTION	MODEL/RESTRICTION	MODEL/RESTRICTION	FROM 10
32-240A		JOINT, BALL			
FD01-32-240A	2				
32-279		SEAL, DUST-BALL JOINT			
B455-32-279	2				
32-280S		JOINT SET, BALL			
BAB2-32-280	2				
32-380A		VALVE, ST. GEAR			
FD15-32-380	1				
32-450		PIPE, PRESSURE			
FD01-32-450	1 (ILLUST. NO.1)				
FD02-32-450	1 (ILLUST. NO.2)				
32-480		PIPE, RETURN			
FD02-32-480	1				

3240 -1 POWER STEERING SYSTEM

3240 POWER STEERING SYSTEM



PART NO.	QTY	MODEL/RESTRICTION	MODEL/RESTRICTION	MODEL/RESTRICTION	FROM TO
19-840J		RING, 'O'			
99541-01401	2				
32-A00		SHAFT			
GA2A-32-607	1				
32-230		SENSOR, STEERING PRES SURE			
H300-32-230	1				
32-457		CLIP, HOSE			
FD01-32-457	1				
32-480		PIPE, RETURN			
FD01-32-480F	1				
32-490		HOSE, PRESSURE			
FD01-32-490D	1				
32-503		STRAINER			
BR71-32-503	1				
32-600		PUMP, VANE			
FD15-32-600A	1				
32-601		PULLEY, VANE PUMP			
FD01-32-620B	1				
32-610		SEAL KIT, VANE PUMP			
EA03-32-610	1				
32-611B		HARNES			
FD01-32-611A	1				
32-615		KEY, VANE PUMP			
*FD01-32-615	1				
32-617		BOLT, VANE PUMP			
*FD01-32-617	1				
32-618A		CAP, VANE PUMP TANK			
G211-32-618A	1				

AUFA06

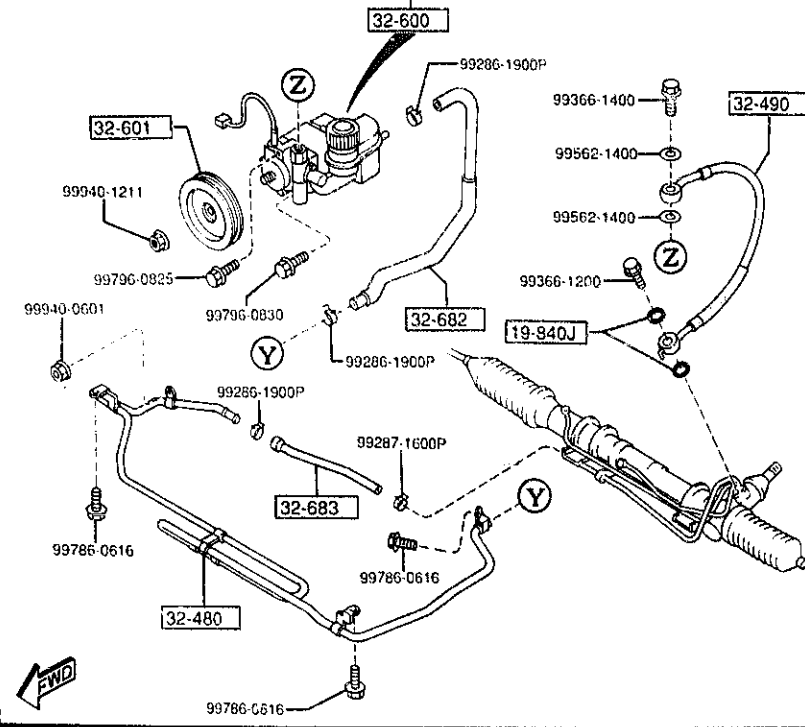
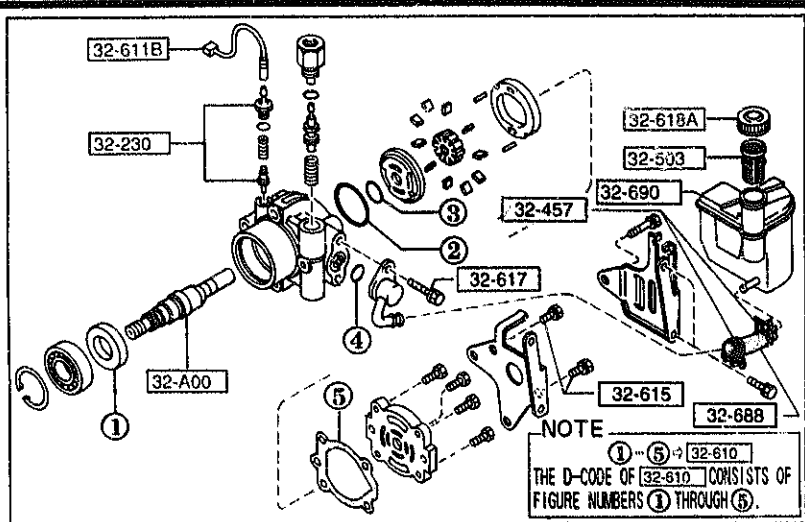
CAT. AUFA06-04

1997-01

2-K 4

3240 POWER STEERING SYSTEM

3240 -2 * POWER STEERING SYSTEM



PART NO.	QTY	MODEL/RESTRICTION	MODEL/RESTRICTION	MODEL/RESTRICTION	FROM-TO
32-682		HOSE, RETURN			
FD01-32-682E	1				
32-683		CLAMP			
FD01-32-683A	1				
32-688		HOSE, SUCTION			
*FD01-32-488	1				
32-690		TANK, VANE PUMP			
FD01-32-690	1				

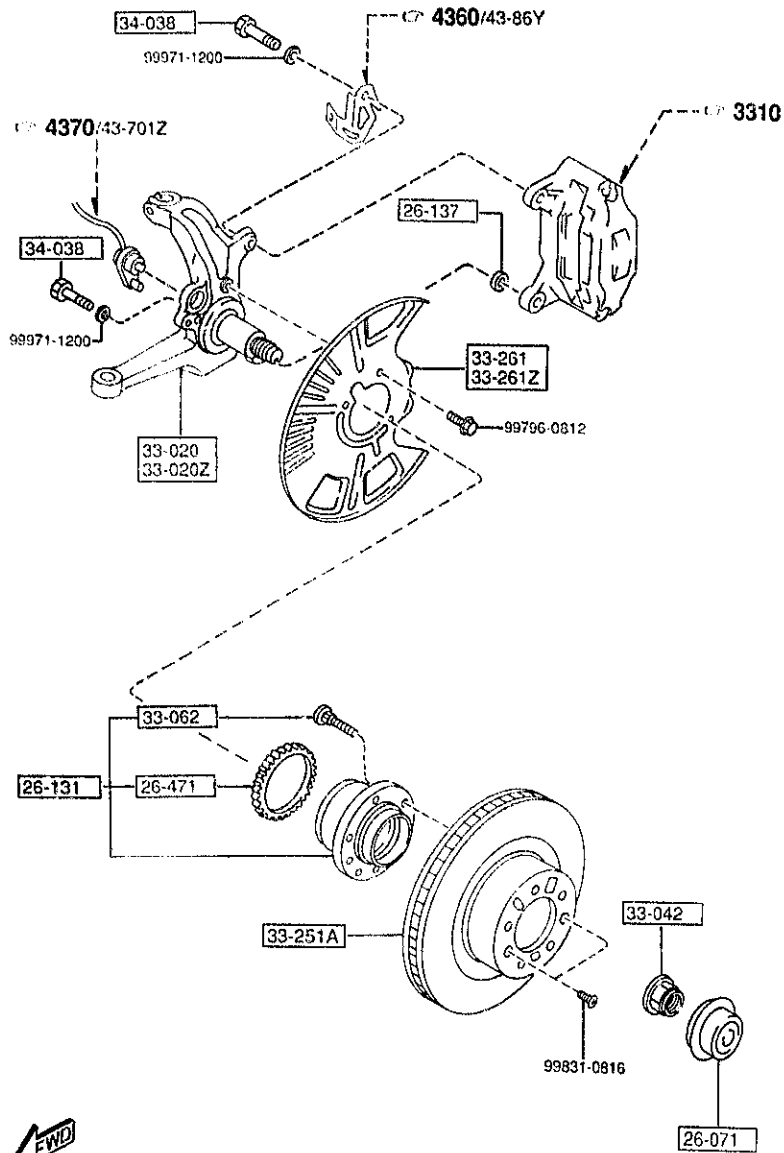
AUFA06

CAT. AUFA06-04

1997-01

3300 -1 * FRONT AXLE

3300 FRONT AXLE

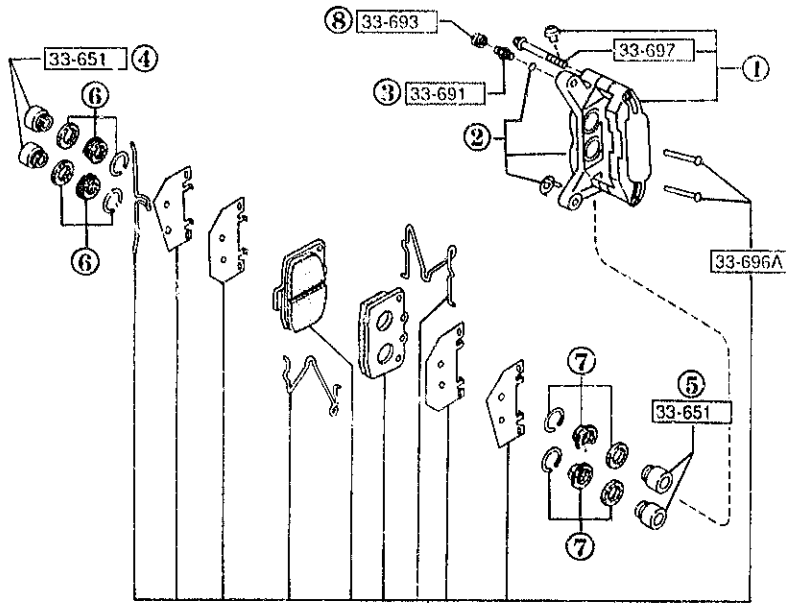


PART NO.	QTY	MODEL/RESTRICTION	MODEL/RESTRICTION	MODEL/RESTRICTION	FROM-TO
26-071		CAP, HUB			
GA2A-26-071	2				
26-131		BEARING & HUB			
GA5S-26-15X	2				
26-137		WASHER, PLAIN-LOWER ARM			
FB01-26-137	2				
26-471		ROTOR, SENSOR-RR A. B. S.			
GA5S-26-471	2				
33-020		KNUCKLE(R), STEERING			
FD15-33-021	1				
33-020Z		KNUCKLE(L), STEERING			
FD15-33-031	1				
33-042		NUT			
LAD1-33-042B	2				
33-062		BOLT, HUB			
J00V-33-062	10				
33-251A		PLATE, DISC			
FD01-33-25X	2				
33-261		COVER(R), DUST			
F124-33-261	1				
33-261Z		COVER(L), DUST			
F124-33-271	1				
34-038		BOLT, DAMPER-REAR			
LA01-34-038	4				

AUFA06

CAT. AUFA06-04

1997-01



NOTE

① ... ⑧ ⇒ 33-98Z
33-99Z

THE D-CODE OF 33-98Z
33-99Z CONSISTS OF
FIGURE NUMBERS ① THROUGH ⑧.

NOTE

⑥ ... ⑧ ⇒ 49-240C

THE D-CODE OF 49-240C CONSISTS OF
FIGURE NUMBERS ⑥ THROUGH ⑧.

NOTE

① ... ⑦ ⇒ 33-610
33-610Z

THE D-CODE OF 33-610
33-610Z CONSISTS OF
FIGURE NUMBERS ① THROUGH ⑦.

THOUGH ILLUSTRATIONS OF D-CODE 33-23Z AND 49-240C ARE FOR LEFT SIDE ONLY,
QUANTITIES OF THESE D-CODES IN THE TEXT ARE FOR ONE VEHICLE.

PART NO.	QTY	MODEL/RESTRICTION	MODEL/RESTRICTION	MODEL/RESTRICTION	FROM TO
33-23Z FD23-33-23Z	1	PAD SET, FRT CALIPER NON ASBESTOS			
33-610 FD01-33-61XA	1	BODY & PISTON(R), CALIPER			
33-610Z FD01-33-71XA	1	BODY & PISTON(L), CALIPER			
33-651 FB05-33-651A	8	PISTON, CALIPER-FRT			
33-691 B001-33-691	2	SCREW, BLEEDER			
33-693 FB05-33-693	2	CAP, RUBBER			
33-696A FD01-33-696	4	PIN, PAD-FRONT BRAKE			
33-697 FD01-33-697	8	BOLT, BRIDGE-FRT BRAKE			
33-98Z FD13-33-98Z	1	CALIPER(R), PADLESS-FR			
33-99Z FD13-33-99Z	1	CALIPER(L), PADLESS-FR			
49-240C FB05-49-240	1	SEAL KIT, CALIPER-FRT			

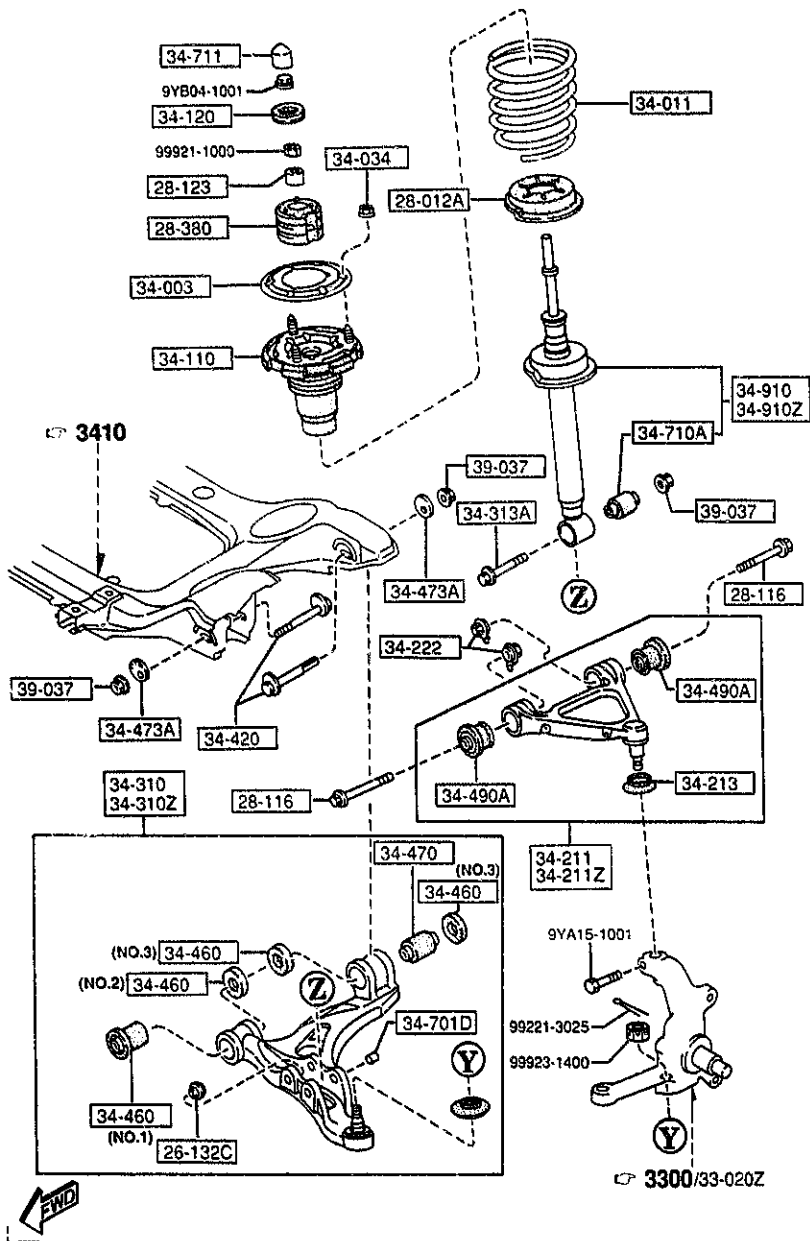


AUFA06

CAT. AUFA06-04

1997-01

3400 FRONT SUSPENSION MECHANISMS



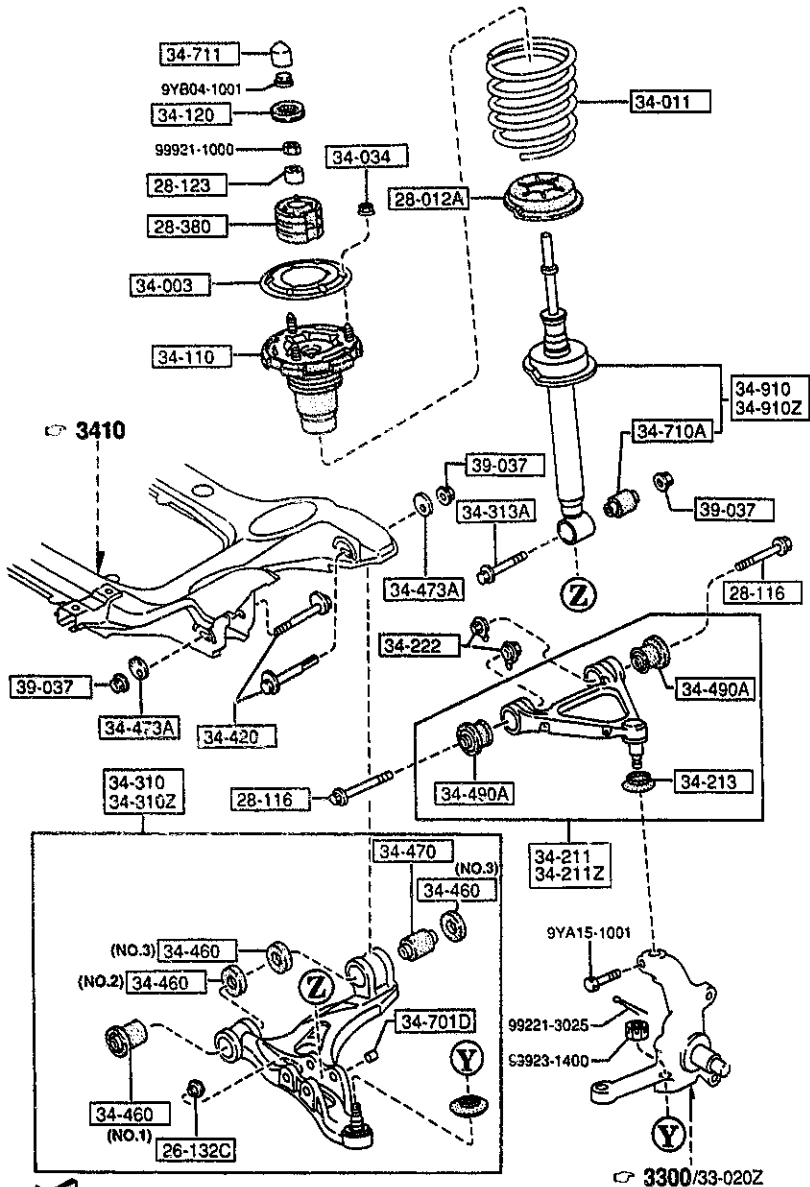
PART NO.	QTY	MODEL/RESTRICTION	MODEL/RESTRICTION	MODEL/RESTRICTION	FROM TO
26-132C FD01-26-132	2	WASHER, SLEEVE-REAR B RAKE			
28-012A FD01-28-012	2	SHEET, RUBBER			
28-116 FD01-28-116	4	BOLT			
28-123 FD01-28-123A	2	SPACER			
28-380 FD15-28-380A	2	RUBBER, MOUNTING			
34-003 FD01-34-003	2	SHEET, FRT DAMPER			
34-011 FD01-34-011	2	SPRING, COIL-FRONT ((MT)>>(W/O SUN ROOF) ((MT)>>(W/GLASS SUN R OOF))			
34-011 FD17-34-011	2	((MT)>>(W/STEEL SUN R OOF)) (AT)			
34-034 H380-34-034A	6	NUT, FLANGE			
34-110 FD15-34-110B	2	BUMPER, BOUND			
34-120 FD01-34-120	2	STOPPER			
34-211 FD15-34-200	1	ARM(R), UPPER			
34-211Z FD15-34-250	1	ARM(L), UPPER			

AUFA06

CAT. AUFA06-04

1997-01

3400 FRONT SUSPENSION MECHANISMS



PART NO.	QTY	MODEL/RESTRICTION	MODEL/RESTRICTION	MODEL/RESTRICTION	FROM-TO
34-213		BOOT, BALL JOINT-UP. ARM			
FD01-34-213	2				
34-222		NUT			
8871-34-222	4				
34-310		ARM(R), LOWER			
FD15-34-300	1 (HARD SUSP)				
F123-34-300A	1 (NOR. SUSP)				
34-310Z		ARM(L), LOWER			
FD15-34-350	1 (HARD SUSP)				
F123-34-350A	1 (NOR. SUSP)				
34-313A		BOLT			
H260-34-313	2				
34-420		BOLT, ADJUST			
FD01-34-420	4				
34-460		BUSH, RUBBER-LWR ARM			
FD01-34-460B	2 (ILLUST. NO.1) (HARD SUSP)				
F123-34-460A	2 (ILLUST. NO.1) (NOR. SUSP)				
FD01-34-461	2 (ILLUST. NO.2)				
FD01-34-471A	4 (ILLUST. NO.3)				
34-470		BUSHING, RUBBER-FRT			
FD01-34-470A	2				
34-475A		PLATE, CAM			
FD01-34-475	4				
34-490A		BUSHING, RUBBER			
FD01-34-480A	4				
34-701D		SLEEVE			
FD01-34-701B	2				

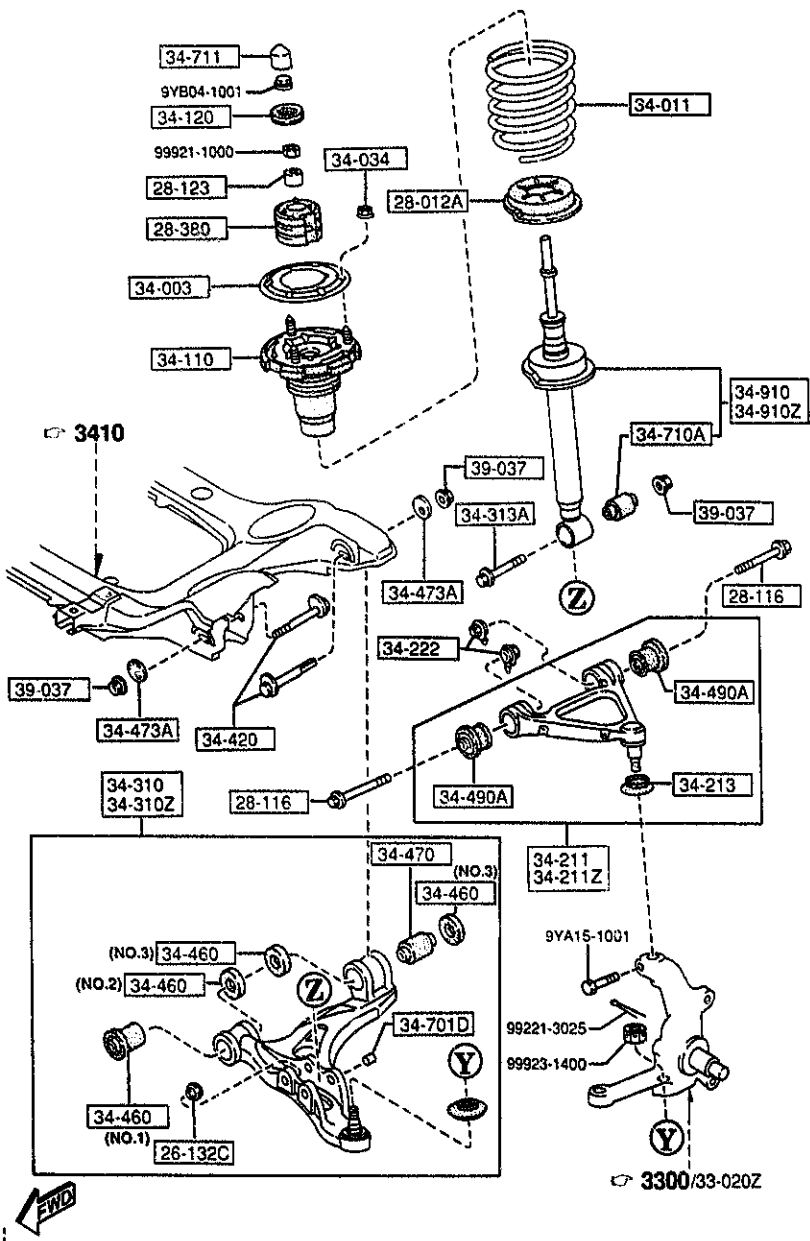
AUFA06

CAT. AUFA06-04

1997-01

3400 FRONT SUSPENSION MECHANISMS

3460 -3 * FRONT SUSPENSION MECHANISMS



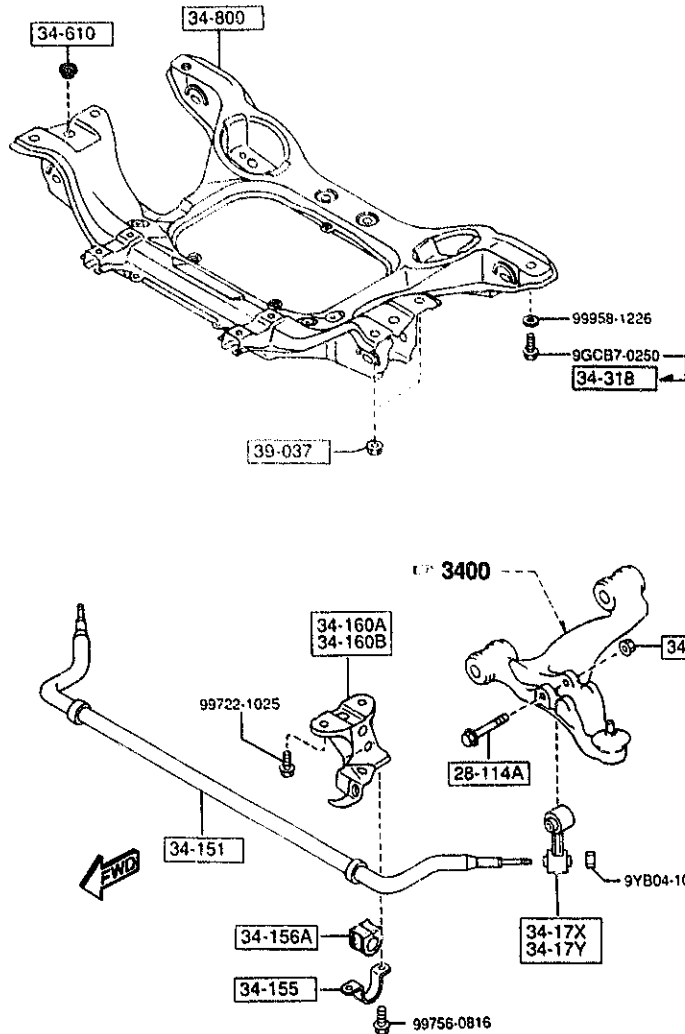
PART NO.	QTY	MODEL/RESTRICTION	MODEL/RESTRICTION	MODEL/RESTRICTION	FROM TO
34-710A		BUSHING, DAMPER-LOWER			
FD01-34-710A	2	(HARD SUSP)			
F123-34-710A	2	(NOR. SUSP)			
34-711		CAP			
FD01-34-711A	2				
34-910		DAMPER(R), FRONT			
FD16-34-700A	1	(HARD SUSP)			
F123-34-700A	1	(NOR. SUSP)			
34-910Z		DAMPER(L), FRONT			
FD16-34-900A	1	(HARD SUSP)			
F123-34-900A	1	(NOR. SUSP)			
39-037		NUT			
B001-39-037B	10				

AUFA06

CAT. AUFA06-04

1997-01

3410 CROSSMEMBER & STABILIZER

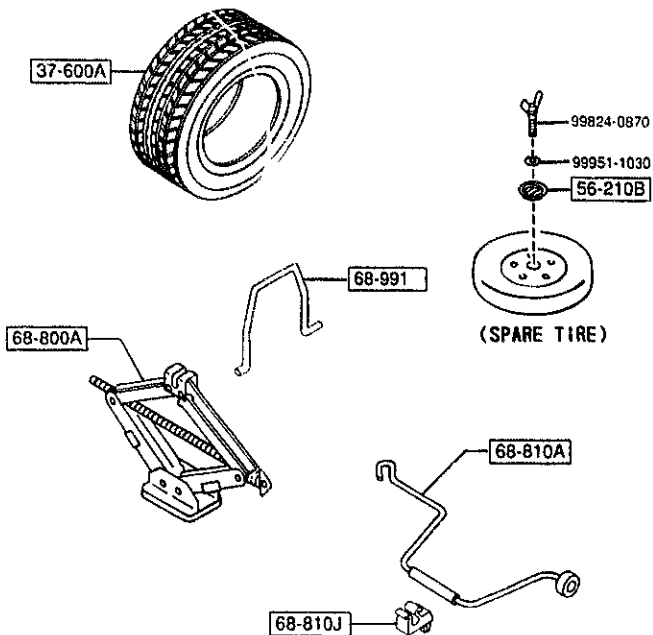
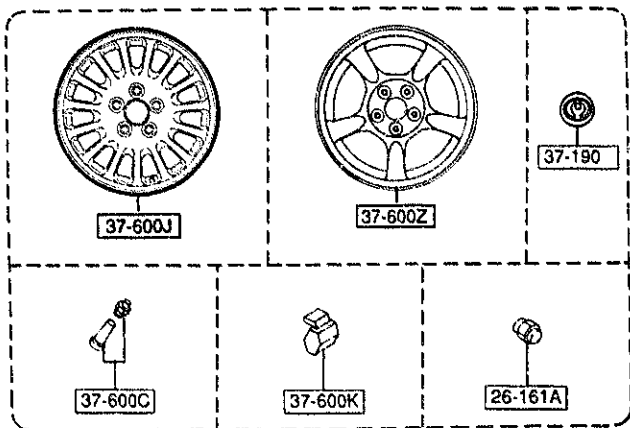


3410 -1 * CROSSMEMBER & STABILIZER

PART NO.	QTY	MODEL/RESTRICTION	MODEL/RESTRICTION	MODEL/RESTRICTION	FROM TO
28-114A		BOLT			
FD01-28-114	2				
34-151		STABILIZER, FRONT			
FD01-34-151A	1				
34-155		PLATE, STABILIZER			
FD01-34-155	2				
34-156A		RUBBER, STAB -FRT			
FD01-34-156	2				
34-160A		BRACKET, STABILIZER			
FD01-34-160D	1 (FOR RIGHT)				
34-160B		BRACKET, STABILIZER			
FD01-34-180C	1 (FOR LEFT)				
34-17X		LINK(R), FRONT STABILIZER			
FD01-34-17X	1				
34-17Y		LINK(L), FRONT STABILIZER			
FD01-34-19X	1				
34-222		NUT			
8871-34-222	2				
34-318		BOLT, FLANGE-ST. KNUCKLE			
H380-34-318A	2				5801-
34-610		RUBBER, MOUNTING			
FD01-34-610A	2				
34-800		MEMBER, CROSS			
FD01-34-800H	1				
39-037		NUT			
B001-39-037B	4				

5801 FD333 -400230

3700 TIRES & JACK



3700 -1 TIRES & JACK

PART NO.	QTY	MODEL/RESTRICTION	MODEL/RESTRICTION	MODEL/RESTRICTION	FROM TO
26-161A		NUT, HUB			
B002-37-160	20	PLATED			
37-190		CAP, CENTER			
FD01-37-191B	4				
37-600A		TIRE			
90620-17636	1	T135/70D16 BS			
90622-65726	4	225/50R16 (225/50VR16 GOOD YEAR)			
90623-25726	4	225/50R16 (225/50VR16 YOKOHAMA)			
90623-35726	4	225/50R16 (225/50VR16 DUNLOP)			
37-600C		VALVE, AIR			
99636-04130	4	TR413			
37-600J		WHEEL DISK-TEMPORARY			
99651-94060	1	4TX16 P-114/0=40			
37-600K		WEIGHT, DISC WHEEL-ALUMI			
99655-90005	4	5G FOR 1-PIECE WHL			
99655-90010	4	10G FOR 1-PIECE WHL			
99655-90015	4	15G FOR 1-PIECE WHL			
99655-90020	4	20G FOR 1-PIECE WHL			
99655-90025	4	25G FOR 1-PIECE WHL			
99655-90030	4	30G FOR 1-PIECE WHL			
99655-90035	4	35G FOR 1-PIECE WHL			
99655-90040	4	40G FOR 1-PIECE WHL			
99655-90045	4	45G FOR 1-PIECE WHL			

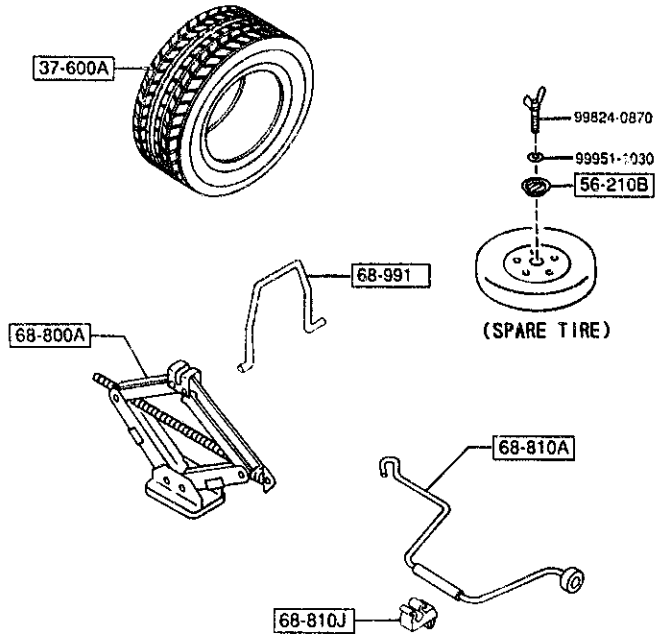
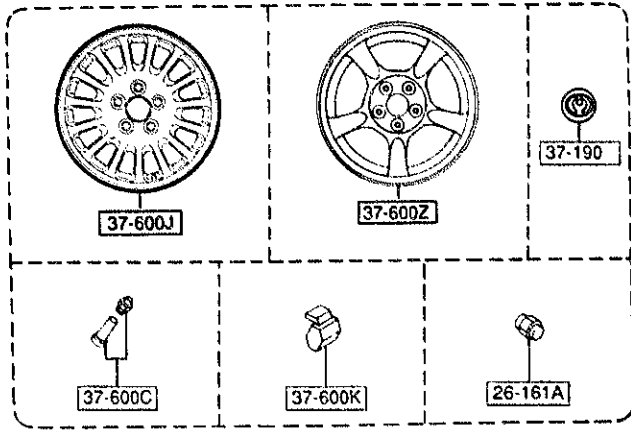
AUFA06

CAT. AUFA06-04

1997-01

3700 -2 * TIRES & JACK

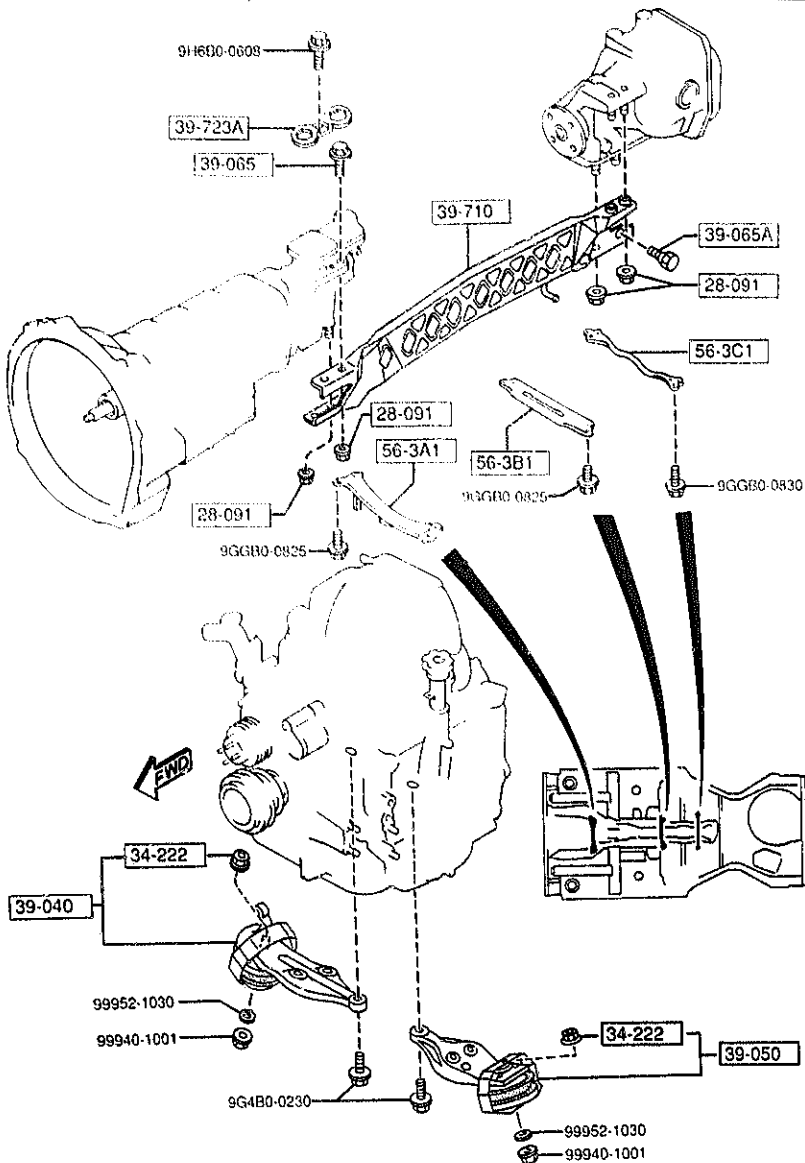
3700 TIRES & JACK



PART NO.	QTY	MODEL/RESTRICTION	MODEL/RESTRICTION	MODEL/RESTRICTION	FROM-TO
CONT'D					
99655-90050	4	50G FOR 1-PIECE WHL			
99655-90055	4	55G FOR 1-PIECE WHL			
99655-90060	4	60G FOR 1-PIECE WHL			
37-600Z		WHEEL,DISC-ALUMI.			
99650-28060	4	8JXX16 P=114/0=50			
99650-58060	4	8JXX16 P=114/0=50			
56-210B		CLAMP,SPARE TIRE			
FB01-56-971	1				
68-800A		JACK			
FD01-37-790A	1				
68-810A		HANDLE,JACK			
FD01-37-810	1				
68-810J		HOLDER,JACK HANDLE			
FD01-56-171A	1				
68-991		WIRE			
FD01-56-172	1				

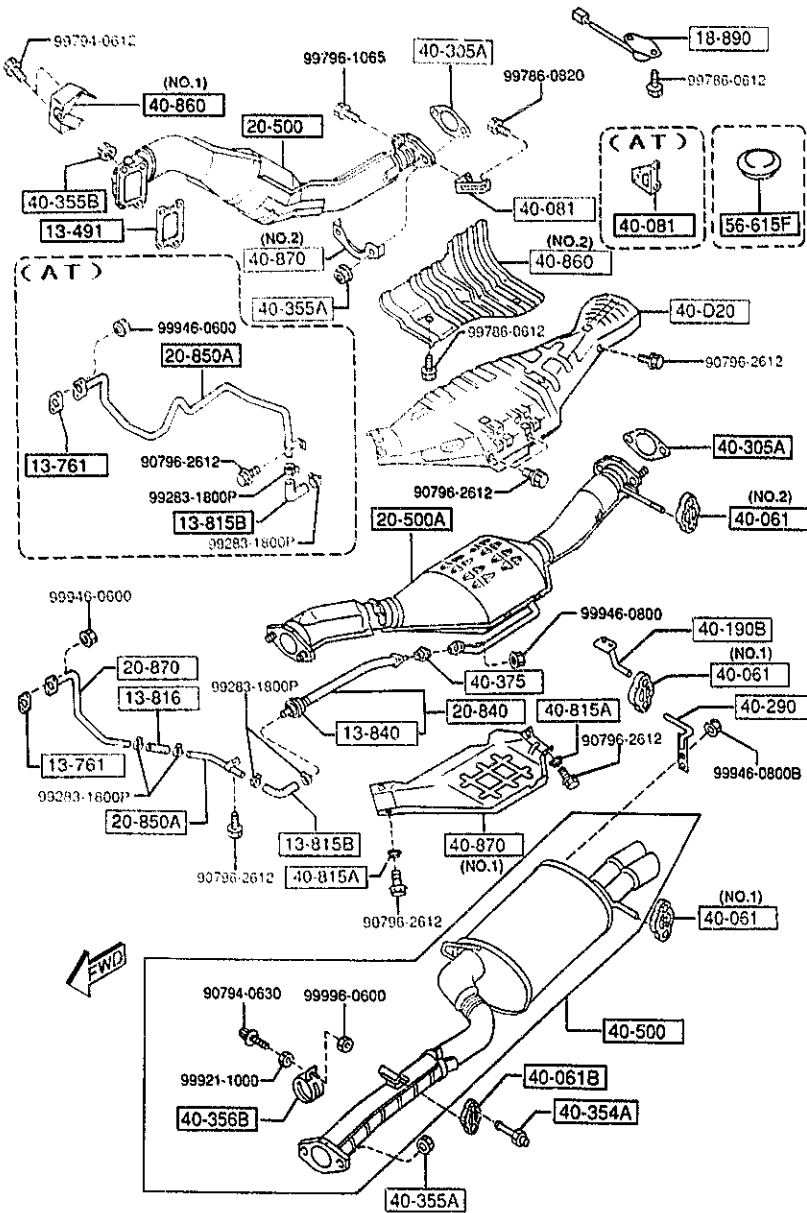
3900 -1 * ENGINE & T/MISSION MOUNTINGS

3900 ENGINE & T/MISSION MOUNTINGS



PART NO.	QTY	MODEL/RESTRICTION	MODEL/RESTRICTION	MODEL/RESTRICTION	FROM-TO
28-091		NUT			
FB01-28-091A	8				
34-222		NUT			
8871-34-222	2				
39-040		RUBBER(R),ENGINE MT.			
FD01-39-040C A (FD01-39-040D)	1				-4A01
FD01-39-040D	1				4A01-
39-050		RUBBER(L),ENGINE MT.			
FD01-39-050A A (FD31-39-050)	1				-5301
FD31-39-050 A (FD31-39-050A)	1				5301-5C06
*FD31-39-050A	1				5C06-
39-065		BOLT			
FD01-39-065	2				
39-065A		BOLT			
FD01-39-066	1				
39-710		FRAME,POWER PLANT			
FD01-39-710C A (FD01-39-710D)	1				-5C03
*FD01-39-710D	1				5C03-
39-723A		STOPPER			
FD01-39-723	1				
56-3A1		MEMBER 'A', TUNNEL			
FD01-56-3A1	1				
56-3B1		MEMBER 'B', TUNNEL			
FD01-56-3B1	1				
56-3C1		MEMBER 'C', TUNNEL			
FD01-56-3C1D	1				
4A01	FD333	-400014			
5301	FD333	-400027			
5C03	FD333	-400346			
5C06	FD333	-400368			

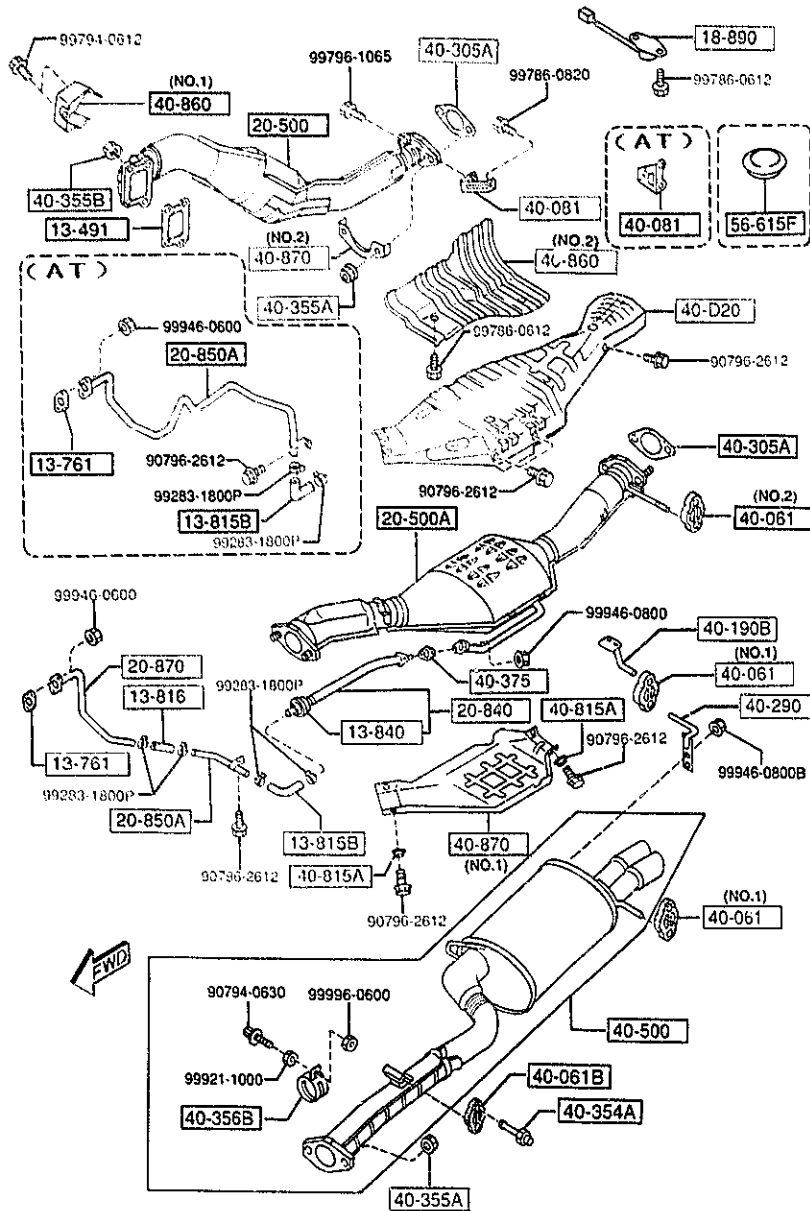
4000 EXHAUST SYSTEM



PART NO.	QTY	MODEL/RESTRICTION	MODEL/RESTRICTION	MODEL/RESTRICTION	FROM TO
13-491	1	GASKET, JOINT PIPE			
N3A1-13-491					
13-761	1	GASKET NON ASBESTOS			
N3B6-13-535					
13-815B	1	HOSE, AIR			
N3A1-13-815A		(AT)			
N3A7-13-815	1	(MT)			
13-816	1	HOSE, AIR			
N3A1-13-816A		(MT)			
13-840	1	VALVE, CHECK			
N3A2-13-840					
18-890	1	SWITCH, THERMO			
N3A1-18-890					
20-500	1	CONVERTER, CATALYST			
N3D8-20-500		(MT)			
N3D9-20-500	1	(AT)			
20-500A	1	CATALYST, THREE WAY			
N3D8-20-600		(MT)			
N3D9-20-600	1	(AT)			
20-840	1	PIPE, AIR			
N3A2-20-840B					
20-850A	1	PIPE, AIR			
N3A1-20-850A		(MT)			
N3C2-20-850	1	(AT)			
20-870	1	PIPE, AIR			
N3B7-20-870B		(MT)			
40-D20	1	INSULATOR, CONVERTER			
N3A1-40-D20F					

4000 EXHAUST SYSTEM

4000 -2 EXHAUST SYSTEM



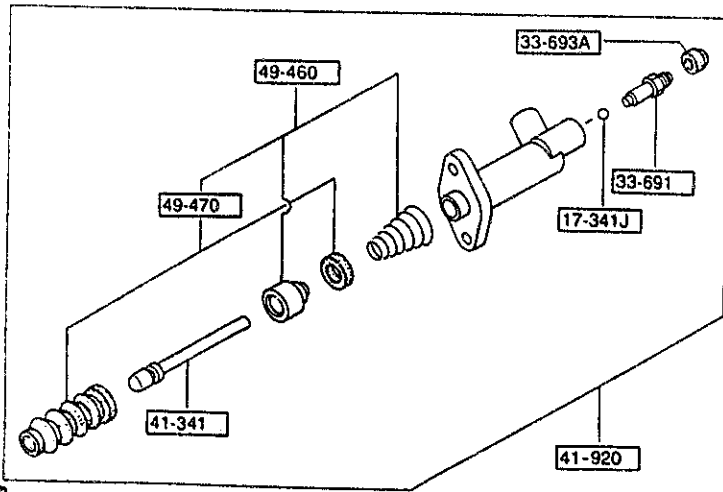
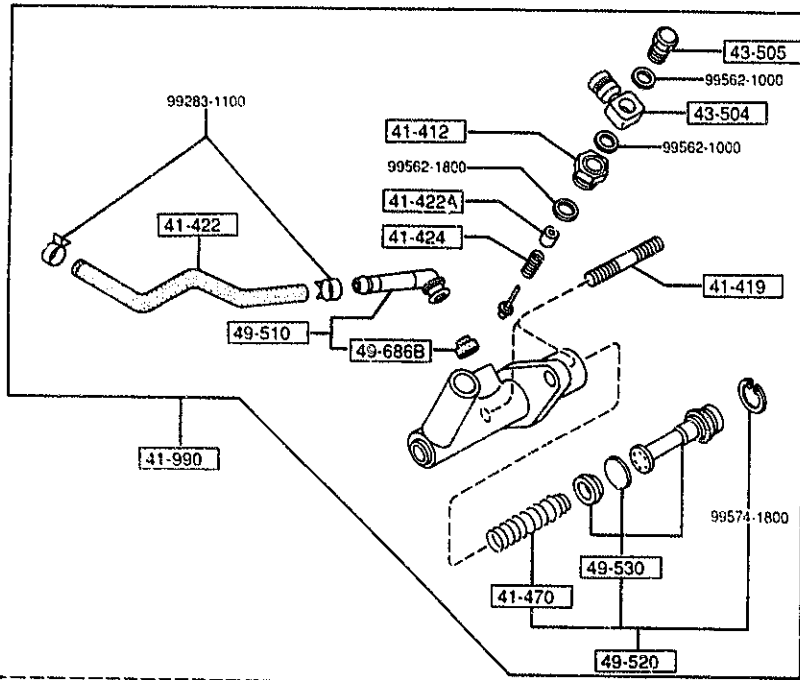
PART NO.	QTY	MODEL/RESTRICTION	MODEL/RESTRICTION	MODEL/RESTRICTION	FROM-TO
40-061		HANGER, SILENCER			
N3A2-40-061A	1	(ILLUST. NO. 2)			
N3A1-40-061D A (N3A1-40-061E)	2	(ILLUST. NO. 1)			-5801
N3A1-40-061E	2	(ILLUST. NO. 1)			5801-
40-061B		RUBBER, HANGER			
FE20-40-061	1				
40-081		BRACKET, HANGER			
N3A1-40-080A	1	(MT)			
N3A2-40-080	1	(AT)			
40-190B		BRACKET, HANGER			
N3A1-40-190	1				
40-290		HANGER			
N3A1-40-290	1				
40-305A		GASKET NON ASBESTOS			
RF36-40-305	2				
40-354A		BOLT			
N3A1-40-354	1				
40-355A		NUT			
JE11-40-355	4				
40-355B		NUT			
JE10-40-355	4				
40-356B		BAND			
N3A8-40-356	1				
40-375		GASKET			
N37B-40-307	1				
40-500		SILENCER, MAIN			
N3C1-40-100A	1				
5801 FD333 -400230					

AUFA06

CAT. AUFA06-04

1997-81

4140 CLUTCH RELEASE & MASTER CYLINDERS (MANUAL TRANSMISSION)



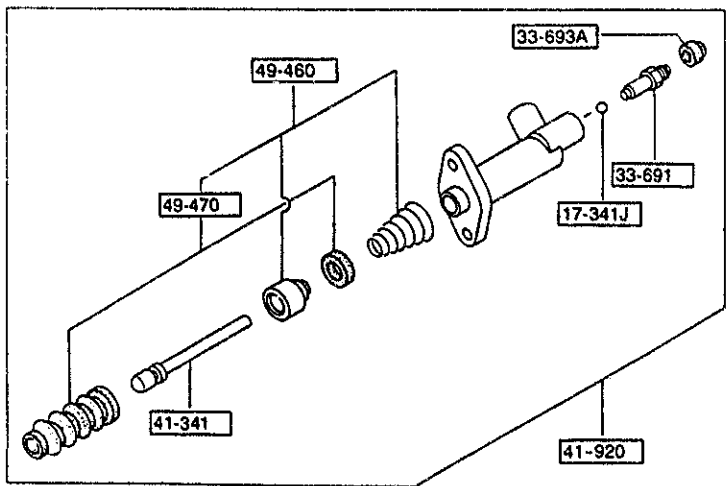
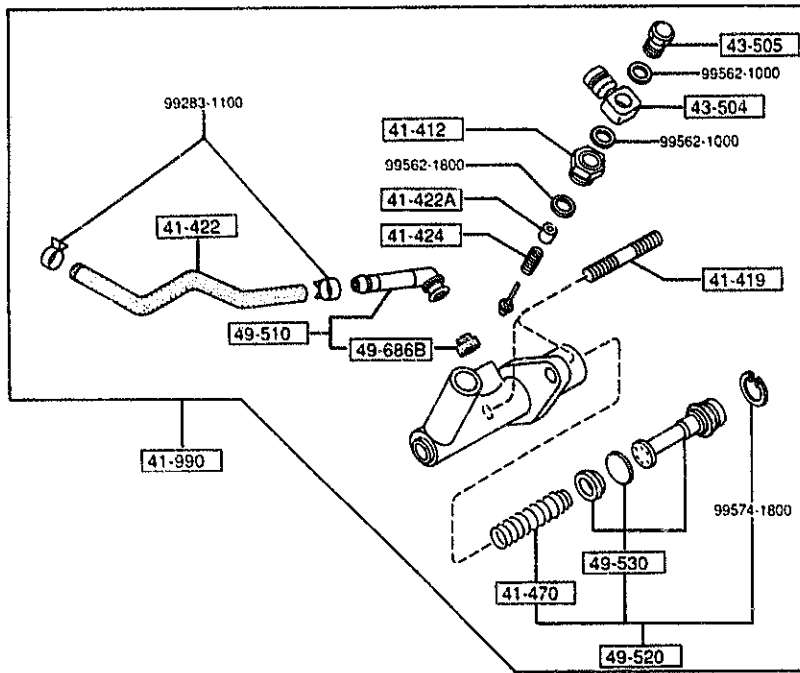
PART NO.	QTY	MODEL/RESTRICTION	MODEL/RESTRICTION	MODEL/RESTRICTION	FROM 10
17-341J		BALL, STEEL			
99611-1500	1				
33-691		SCREW, BLEEDER			
0259-33-691	1				
33-693A		CAP, BLEEDER SCREW			
0259-33-693	1				
41-341		ROD, PUSH			
H266-41-341	1				
41-412		BOLT, JOINT			
G091-41-412	1				
41-419		STUD, CLUTCH CYL.			
FD01-41-419	2				
41-422		HOSE, RESERVE			
F100-41-421	1				
41-422A		PISTON, O.W. VALVE			
0813-41-422D	1				
41-424		SPRING, O.W. VALVE			
H005-41-424	1				
41-470		SPRING			
B312-41-470	1				
41-920		CYL., CLUTCH RELEASE			
FD01-41-920	1				
41-990		CYL., CLUTCH MASTER			
F100-41-990B	1				
43-504		JOINT, PIPE			
W023-43-504	1				
43-505		BOLT, CONNECTOR			
W023-43-505	1				

AUFA06

CAT. AUFA06-04

1997-01

4140 CLUTCH RELEASE & MASTER CYLINDERS (MANUAL TRANSMISSION)



PART NO.	QTY	MODEL/RESTRICTION	MODEL/RESTRICTION	MODEL/RESTRICTION	FROM TO
49-460		PARTS KIT, INNER			
FD01-49-460	1				
49-470		SEAL KIT			
FD01-49-470	1				
49-510		BUSH SET			
W001-49-510	1				
49-520		PARTS KIT, INN.-CLUTCH			
B312-41-522	1				
49-530		SEAL KIT			
B312-41-532	1				
49-686B		BUSH, ELBOW JOINT			
0839-49-686A	1				

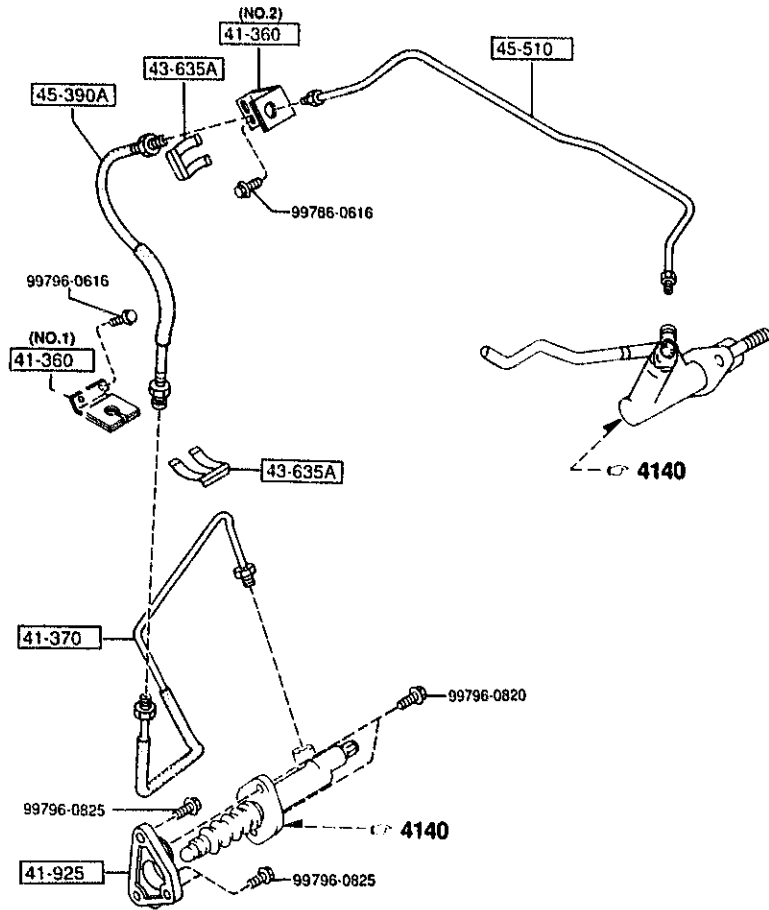
AUFA06

CAT. AUFA06-04

1997-01

4145 CLUTCH PIPINGS (MANUAL TRANSMISSION)

4145 -1 * CLUTCH PIPINGS (MANUAL TRANSMISSION)



PART NO.	QTY	MODEL/RESTRICTION	MODEL/RESTRICTION	MODEL/RESTRICTION	FROM-TO
41-360		HOLDER, CLUTCH			
FD03-41-370	1	(ILLUST. NO. 1)			
F100-41-370	1	(ILLUST. NO. 2)			
41-370		PIPE, CLUTCH			
FD01-41-360A	1				
41-925		SUPPORT, CLUTCH RELEASE			
N315-16-921	1				
43-635A		CLIP, FLEXIBLE HOSE			
0136-43-635	2				
45-390A		HOSE, CLUTCH FLEXIBLE			
HE01-45-540	1				
45-510		PIPE, CLUTCH			
FD01-45-510D	1				



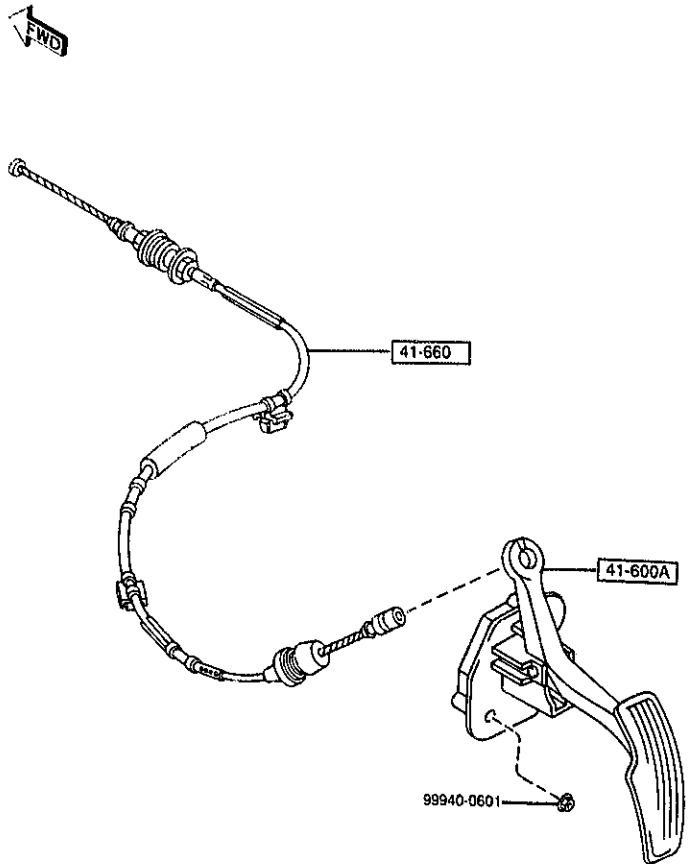
AUFA06

CAT. AUFA06-04

1997-01

4160 ACCELERATOR CONTROL SYSTEM

4160 -1 * ACCELERATOR CONTROL SYSTEM



PART NO.	QTY	MODEL/RESTRICTION	MODEL/RESTRICTION	MODEL/RESTRICTION	FROM-TO
41-600A FD01-41-600B	1	PEDAL, ACCEL.			
41-660 FD01-41-660B	1	CABLE, ACCEL.			

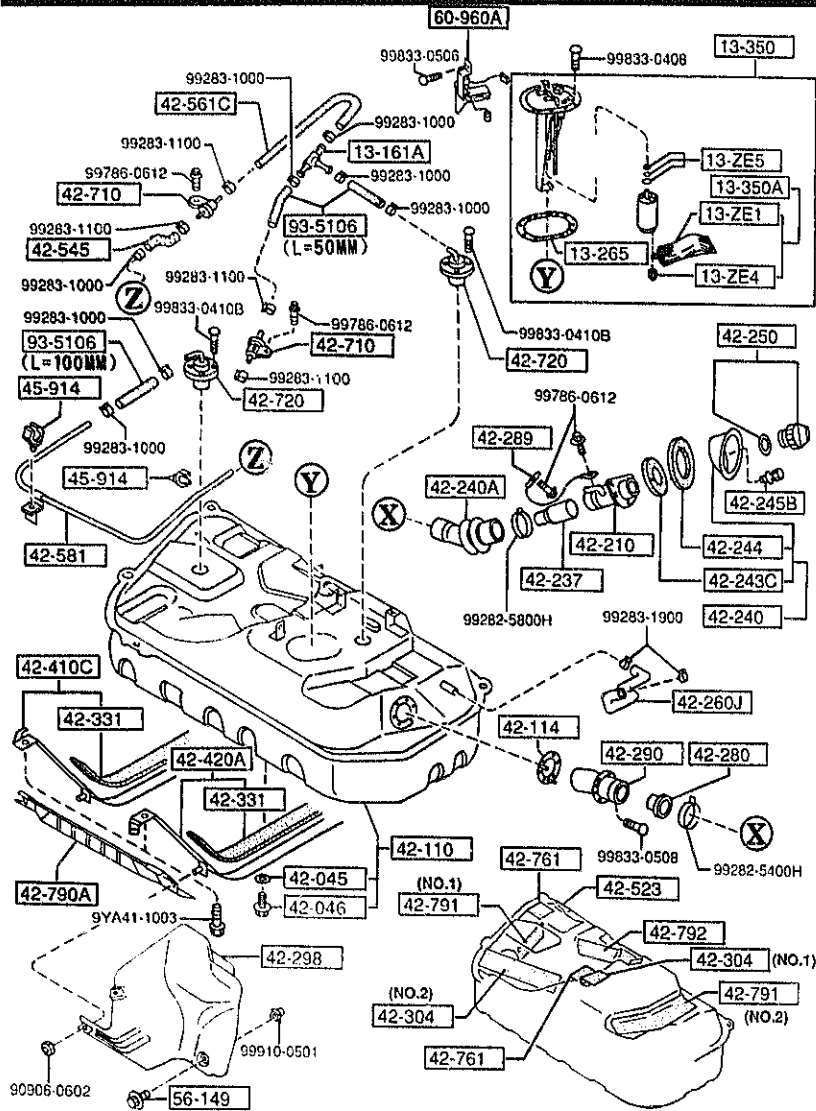
AUFA06

CAT. AUFA06-04

1997-01

4200 FUEL TANK

4200 -1 FUEL TANK



PART NO.	QTY	MODEL/RESTRICTION	MODEL/RESTRICTION	MODEL/RESTRICTION	FROM TO
13-ZE1		FILTER, FUEL PUMP			
JE17-13-ZE1	1	DENSO			
13-ZE4		WASHER, LOCK-PUMP FILTER			
FEH2-13-ZE4	1	NIPPONDENSO (JAPAN)			
13-ZE5		RING, 'O'-FUEL PUMP			
BP02-13-ZE5	1				
13-161A		JOINT 'T'			
E580-13-161	1				
13-265		GASKET			
H630-60-962	1				
13-350		PUMP, FUEL			
NSA1-13-35Z	1				
13-350A		PUMP, FUEL-SUB			
N390-13-350	1				
42-045		GASKET, DRAIN PLUG			
0866-42-046	1				
42-046		PLUG, DRAIN			
B596-42-045	1				
42-110		TANK, FUEL			
FD31-42-110	1	(MT)			
FD33-42-110	1	(AT)			
42-114		GASKET, FILLER PIPE/TANK			
HG31-42-114	1				
42-210		PIPE, FILLER			
FD01-42-210A	1				
42-237		PIPE, INNER			
FD01-42-237	1				



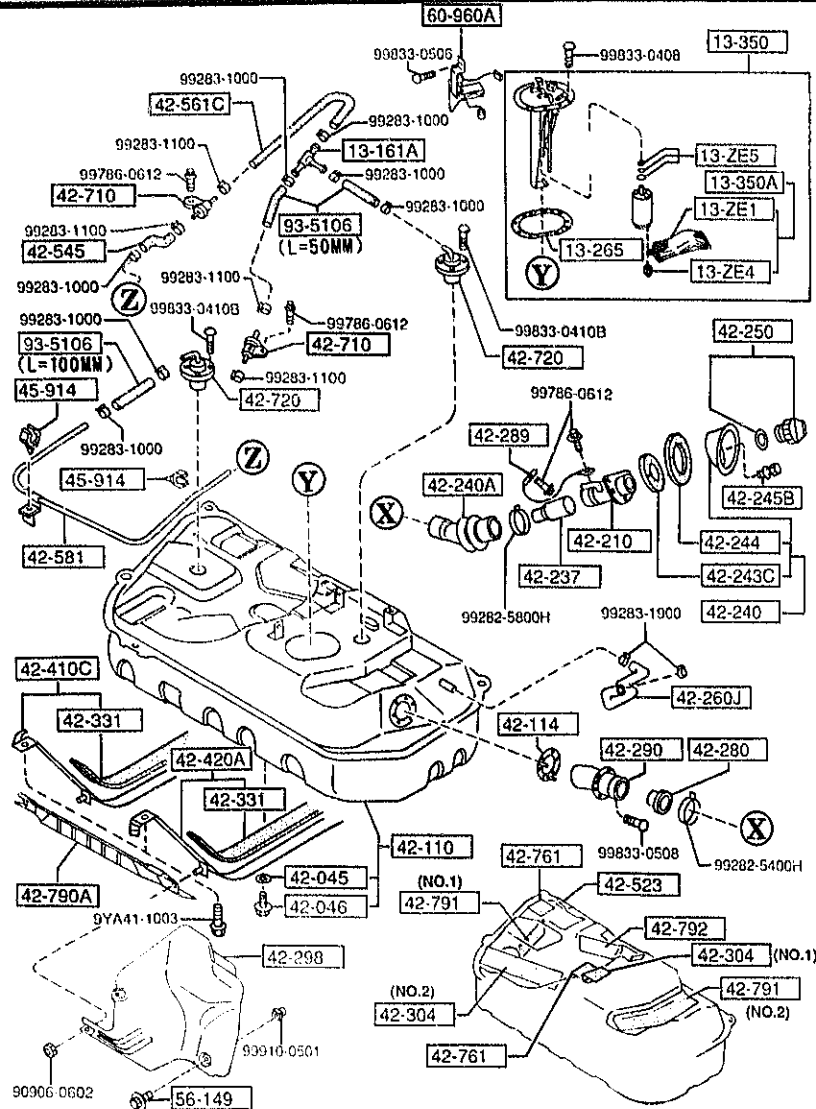
AUFA06

CAT. AUFA06-04

1997-01

4200 FUEL TANK

4200 -3 FUEL TANK



PART NO.	QTY	MODEL/RESTRICTION	MODEL/RESTRICTION	MODEL/RESTRICTION	FROM-TO
42-410C		BAND(R),TANK FIX.			
FD01-42-710	1				
42-420A		BAND(L),TANK FIX.			
FD01-42-720	1				
42-523		PAD,FUEL TANK			
FD01-42-767	1				
42-545		HOSE,FUEL			
FD01-42-545	1				
42-561C		HOSE NO.1,BREATHER			
HG30-42-561	1				
42-581		HOSE,BREATHER			
FD31-42-511A	1				
42-710		VALVE,CHECK			
GA5R-42-910	2				
42-720		VALVE,FUEL VAPOR.			
BC1M-42-980	2				-5501
A (BC1M-42-980A)					
BC1M-42-980A	2				5501-
42-761		PAD			
FD01-42-761	2				
42-790A		PROTECTOR,FUEL TANK			
FD01-42-790	1				
42-791		PAD,FUEL TANK			
B529-42-763	1	NISSHO (ILLUST. NO.1)			
FD01-42-763	1	MOLTEN (ILLUST. NO.2)			
42-792		PAD,FUEL TANK			
FD01-42-768	1				
5501 FD333 -400229					

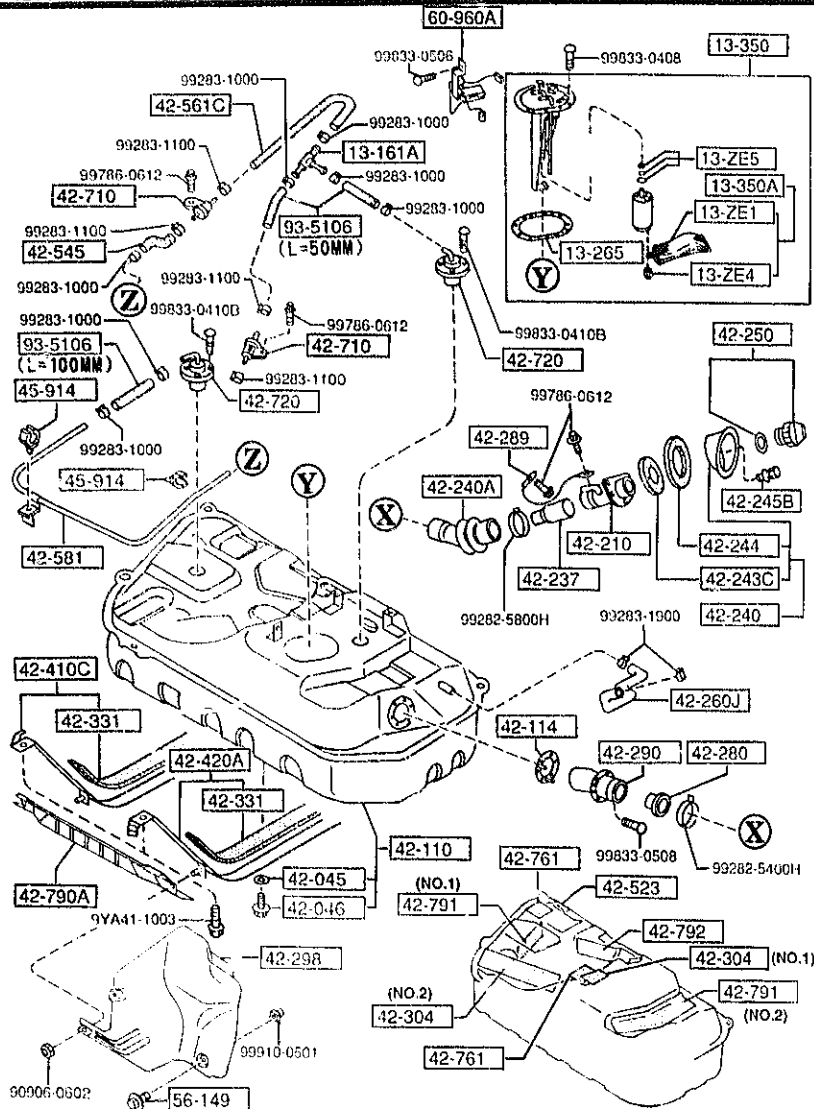
AUFA06

CAT. AUFA06-04

1997-01

4200 FUEL TANK

4200 -4 * FUEL TANK



PART NO.	QTY	MODEL/RESTRICTION	MODEL/RESTRICTION	MODEL/RESTRICTION	FROM TO
45-914	2	HOLDER, PIPE			
FB01-45-914		NIFUKO			
56-149	3	SCREW, TAPPING-MUD GUARD			
B455-56-149					
60-960A	1	GAUGE, FUEL TANK			
FD01-60-960A		(MT)			
FD17-60-960	1	(AT)			
93-5106	1	HOSE			
99351-06999		L=1M CUT IT TO USE			



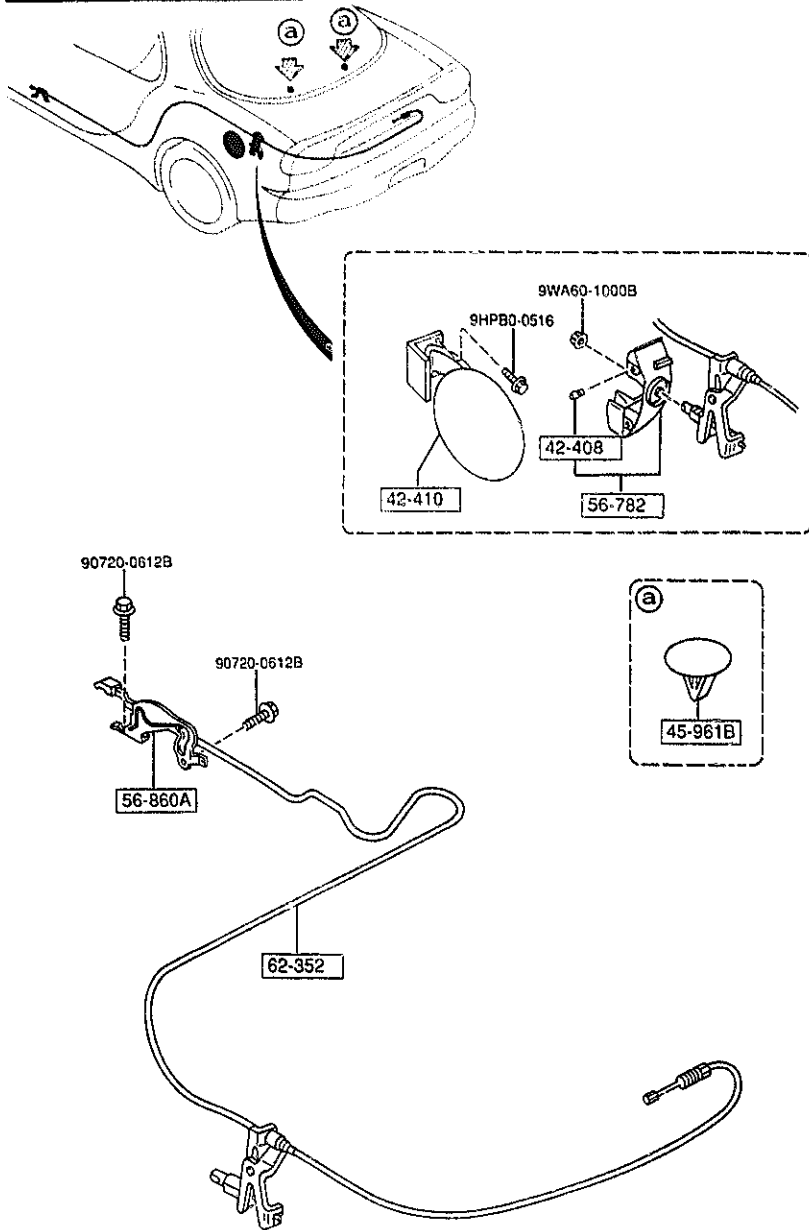
AUFA06

CAT. AUFA06-04

1997-01

4210 FUEL LID OPENER

4210 -1 * FUEL LID OPENER



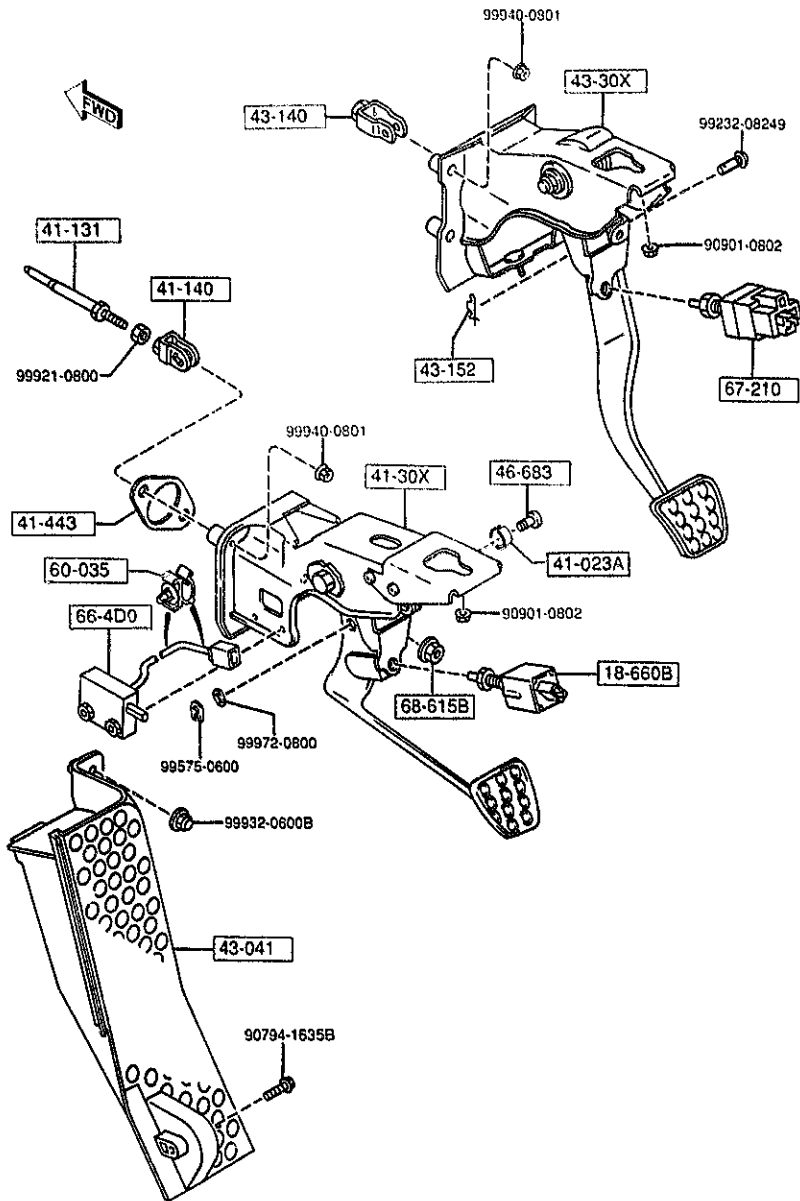
PART NO.	QTY	MODEL/RESTRICTION	MODEL/RESTRICTION	MODEL/RESTRICTION	FROM-TO
42-408		STOPPER, FILLER LID			
0187-70-491	2				
42-410		LID, FUEL FILLER			
FD01-42-41X	1				
45-961B		CAP			
H002-45-961	2				
56-782		BRACKET, STOPPER			
FD01-56-83XC	1				
56-860A		LEVER, OPENER			
FD01-56-860C	1				
62-352		CABLE, OPENER			
FD01-56-870A	1				

AUFA06

CAT. AUFA06-04

1997-01

4300 CLUTCH & BRAKE PEDALS (MANUAL TRANSMISSION)

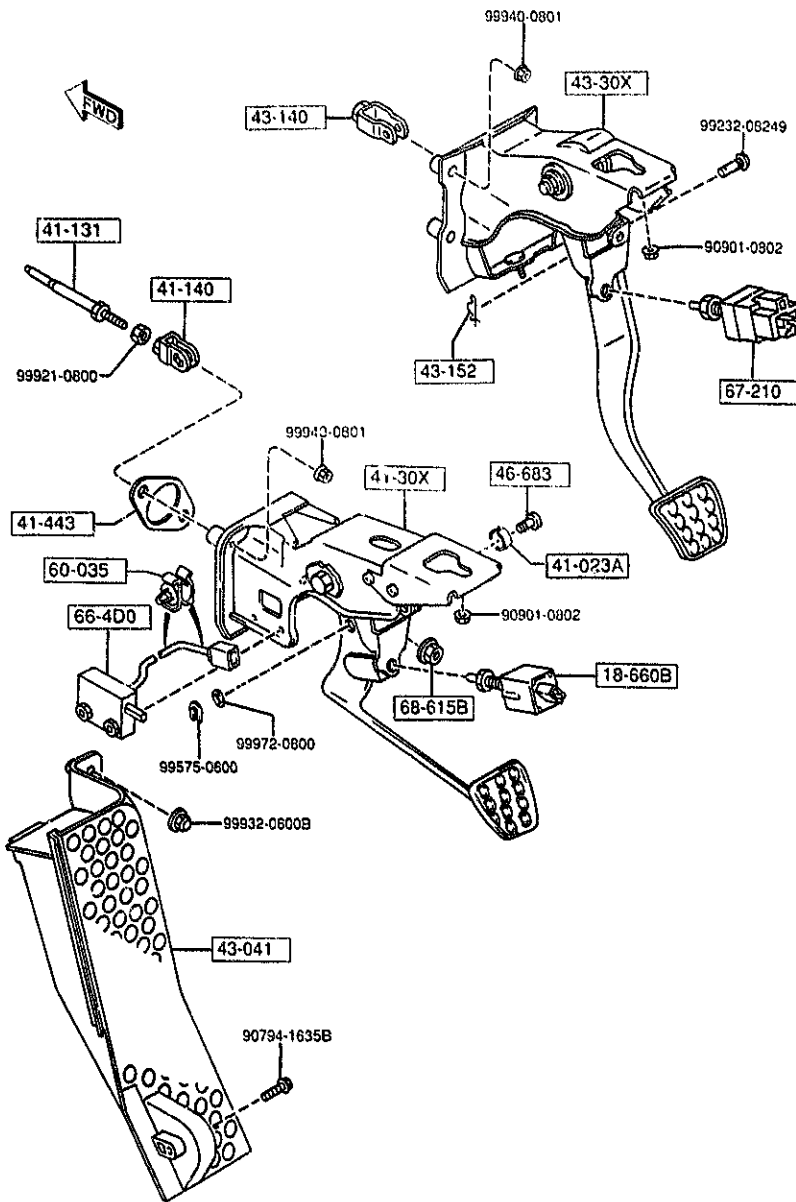


4300 -1 CLUTCH & BRAKE PEDALS (MANUAL TRANSMISSION)

PART NO.	QTY	MODEL/RESTRICTION	MODEL/RESTRICTION	MODEL/RESTRICTION	FROM TO
18-660B		SWITCH, CLUTCH			
LA01-66-490A	1				
41-023A		BUSH			
0727-41-023	1				
41-131		ROD, PUSH			
0727-41-131	1				
41-140		FORK, CLUTCH			
0305-41-140	1				
41-30X		PEDAL, CLUTCH			
FD01-41-30XA	1				
41-443		GASKET			
H001-41-443	1				
43-041		REST, FOOT			
FD01-43-041	1				
43-140		FORK, BRAKE			
HE01-43-140	1				
43-152		PIN, SNAP			
D001-43-152	1				
43-30X		PEDAL, BRAKE			
FD01-43-30XA	1				-4814
AN(FD01-43-30XB)					
FD01-43-30XB	1				4814-
46-683		PIN			
0187-46-683	1				
60-035		CLIP, C.S.D. WIRE			
W201-60-035	2				
66-4D0		SWITCH, CLUTCH CUT			
HF05-66-4D0	1				

4814 FD333 -400022

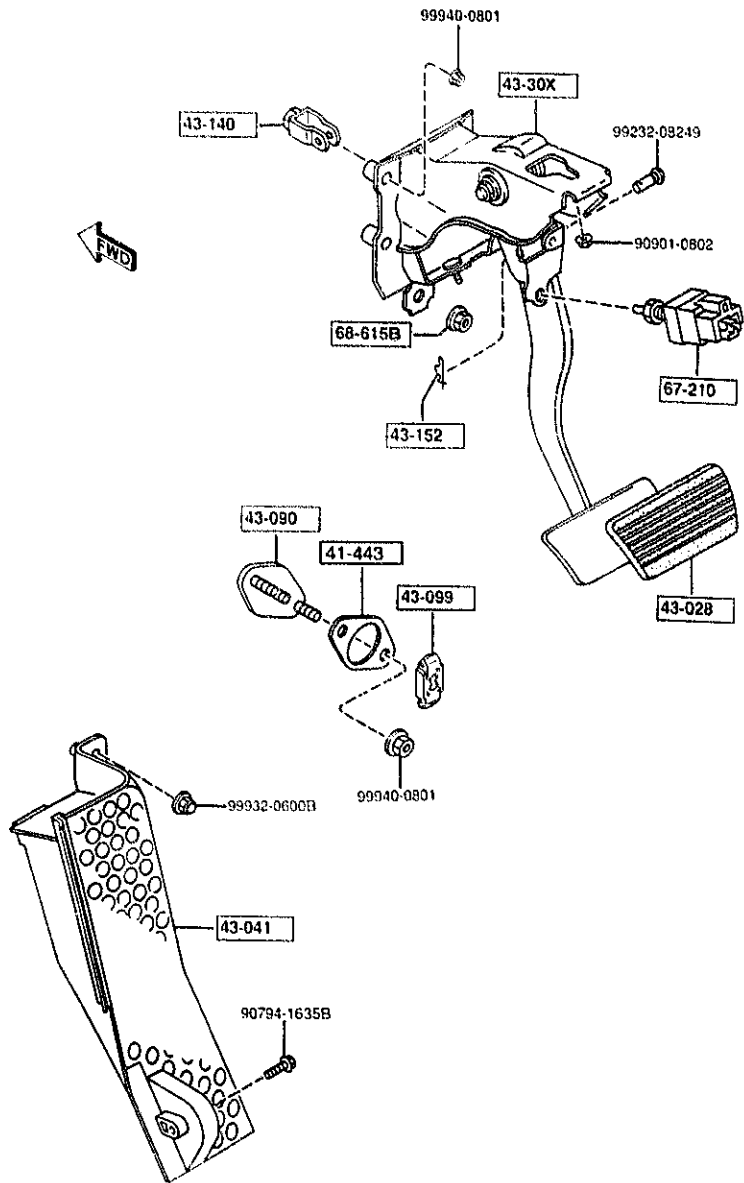
4300 CLUTCH & BRAKE PEDALS (MANUAL TRANSMISSION)



4300 -2 * CLUTCH & BRAKE PEDALS (MANUAL TRANSMISSION)

PART NO.	QTY	MODEL/RESTRICTION	MODEL/RESTRICTION	MODEL/RESTRICTION	FROM-TO
67-210 BR70-66-490A	1	SWITCH, STOP-LAMP			
68-615B 8100-68-615	1	NUT, FLANGE-CAP			

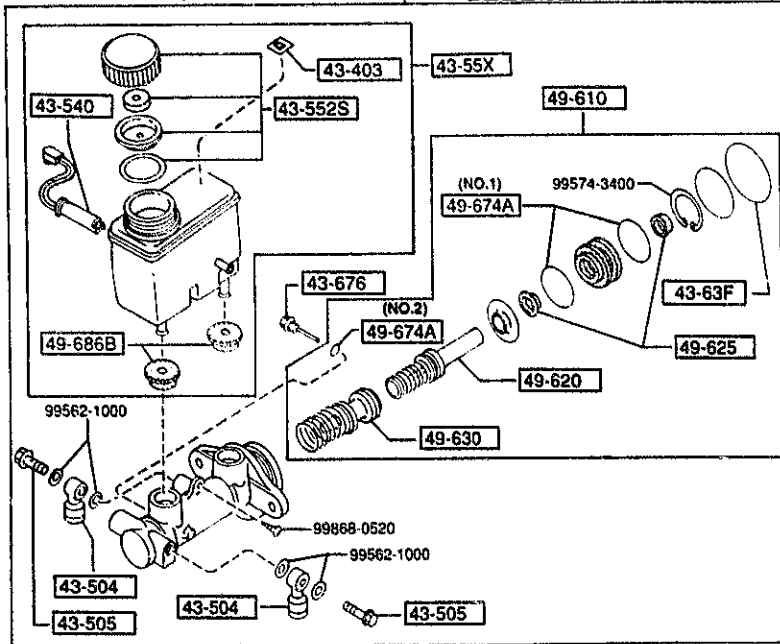
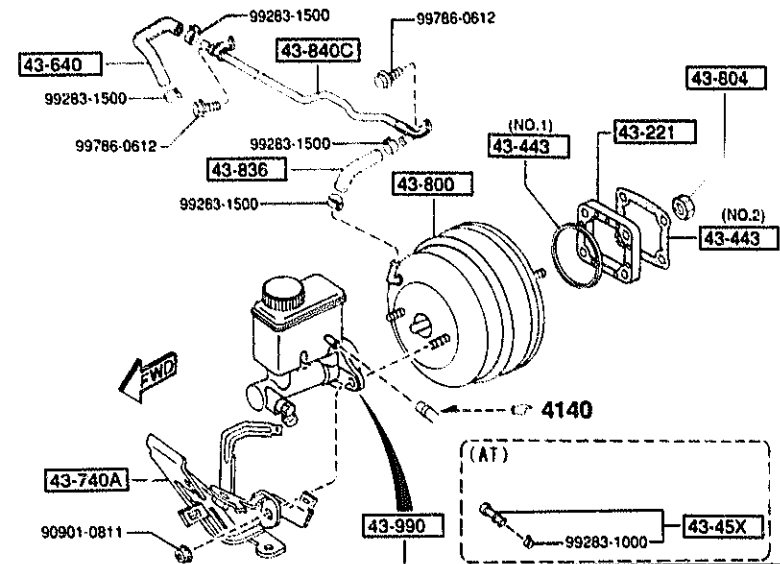
4300A BRAKE PEDALS (AUTOMATIC TRANSMISSION)



4300A -1 * BRAKE PEDALS (AUTOMATIC TRANSMISSION)

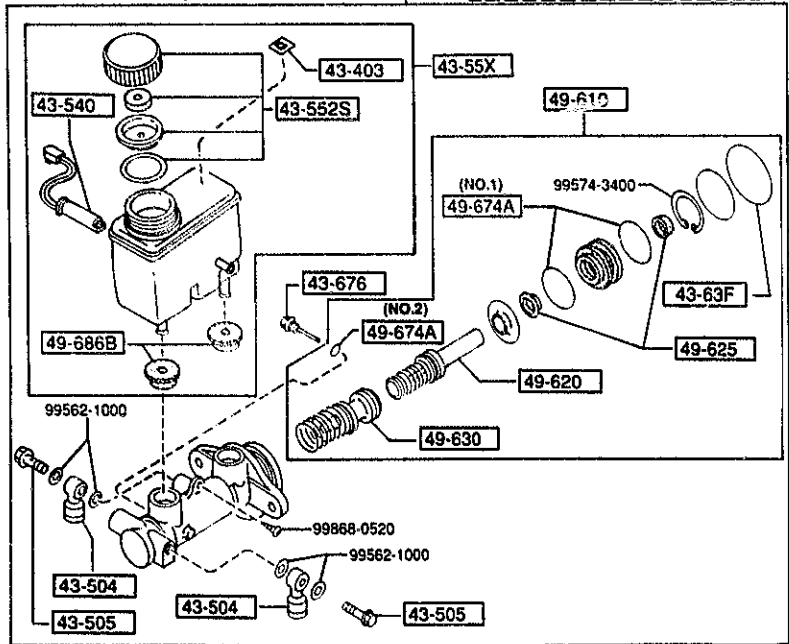
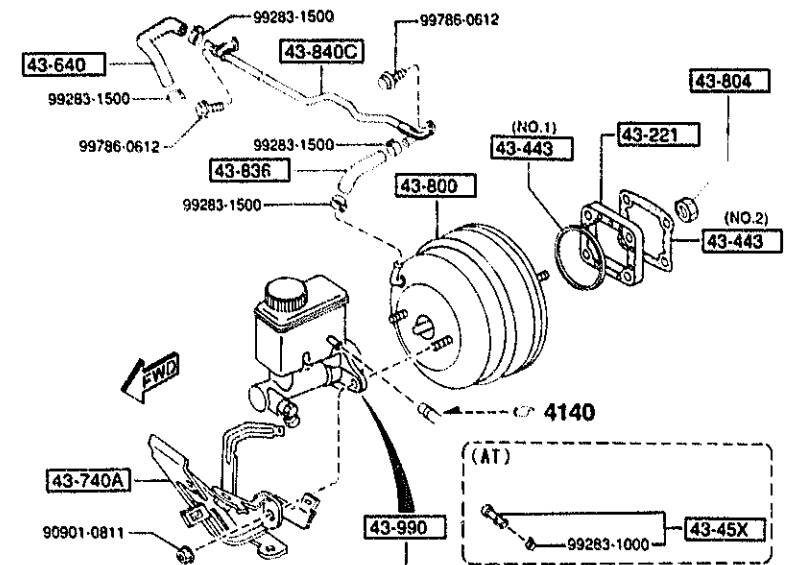
PART NO.	QTY	MODEL/RESTRICTION	MODEL/RESTRICTION	MODEL/RESTRICTION	FROM TO
41-443		GASKET			
H001-41-443	1				
43-028		PAD, PEDAL			
H261-43-028	1				
43-041		REST, FOOT			
FD01-43-041	1				
43-090		PLATE			
HF23-43-090A	1				
43-099		HOLDER, PLATE			
HF23-43-099	1				
43-140		FORK, BRAKE			
HE01-43-140	1				
43-152		PIN, SNAP			
D001-43-152	1				
43-30X		PEDAL, BRAKE			
FD02-43-30XA AN(FD02-43-30XB)	1				-4807
FD02-43-30XB	1				4807-
67-210		SWITCH, STOP-LAMP			
BR70-66-490A	1				
68-615B		NUT, FLANGE-CAP			
B100-68-615	1				
4807 FD333 -400022					

4340 BRAKE MASTER CYLINDER & POWER BRAKE



PART NO.	QTY	MODEL/RESTRICTION	MODEL/RESTRICTION	MODEL/RESTRICTION	FROM-TO
43-221		SPACER			
FD01-43-221A	1				
43-03		LABEL, ISO			
TA04-43-403A	1				
43-443		GASKET, VAC POWER AS SIST			
FD01-43-443A	1	(ILLUST. NO.1)			
H001-43-443	1	NON ASBESTOS			
		(ILLUST. NO.2)			
43-45X		PROTECTOR			
B603-43-45XA	1	(AT)			
43-504		JOINT, PIPE			
W023-43-504	2				
43-505		BOLT, CONNECTOR			
W023-43-505	2				
43-540		INDICATOR, LEVEL			
FD04-43-540A	1				
43-55X		SET, TANK			
FDY1-43-55X	1				
43-552S		CAP SET, RESERVE TANK			
B603-49-580	1				
43-63F		RING, 'O'			
*B252-49-512	1				
43-640		HOSE, VACUUM			
FD01-43-640B	1				
43-676		BOLT SET			
H381-43-676	1				
43-740A		BRACKET, CABLE			
FD01-43-740B	1				

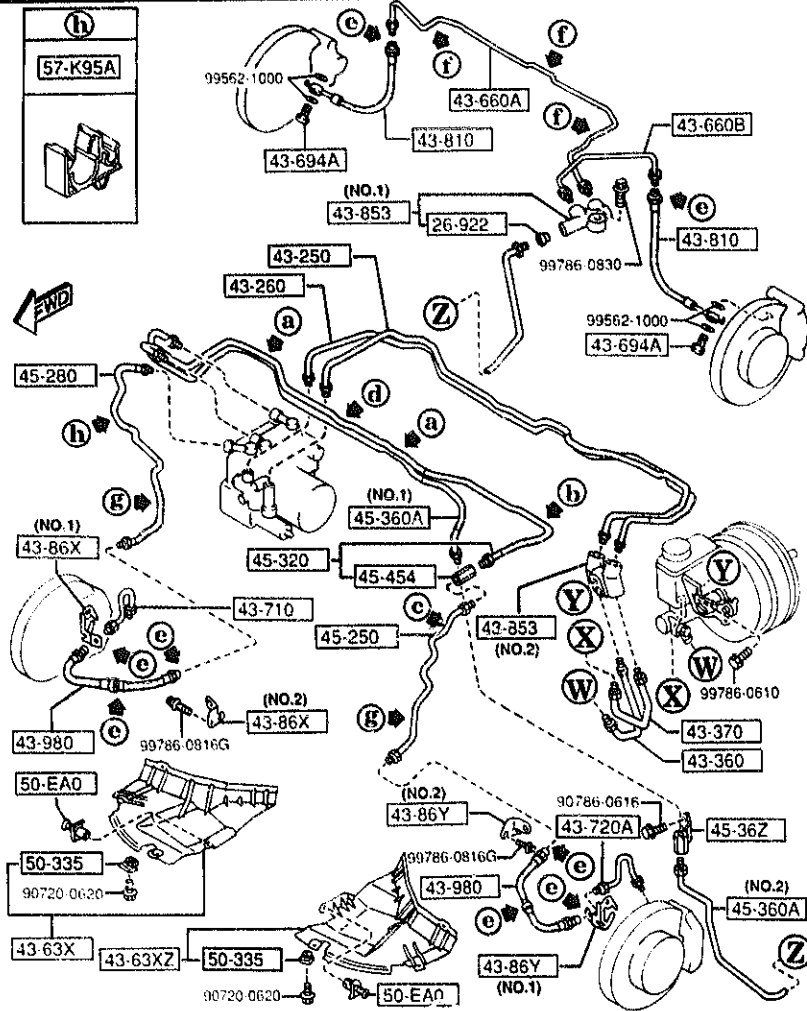
4340 BRAKE MASTER CYLINDER & POWER BRAKE



4340 -2 * BRAKE MASTER CYLINDER & POWER BRAKE

PART NO.	QTY	MODEL/RESTRICTION	MODEL/RESTRICTION	MODEL/RESTRICTION	FROM-TO
43-800		VACUUM POWER ASSIST			
FD04-43-800B	1				
43-804		NUT			
B01C-43-954	1				
43-836		HOSE, VACUUM			
FD01-43-836B	1				
43-840C		PIPE, VACUUM			
FD01-43-840B	1				
43-990		CYL., TANDEM MASTER			
FD04-43-402	1				
49-610		PARTS KIT, INN.-BRAKE			
B6Y4-43-412	1				-5901
AN(B6Y4-43-412A)	1				5901-
*B6Y4-43-412A	1				
49-620		PISTON, PRIMARY			
B533-43-622	1				
49-625		CUP, SECONDARY			
NA23-43-625	2				
49-630		PISTON, FLOATING			
B604-43-632	1				
49-674A		RING, 'O'-MASTER CYL.			
NA23-43-515	2	SHINEI KOGYO (ILLUST. NO.1)			
99541-00603	1	NOK (ILLUST. NO.2)			
49-686B		BUSH, ELBOW JOINT			
F100-49-686	2				
5901 FD333 -400232					

4360 BRAKE PIPINGS



(a)	(b)	(c)	(d)	(e)	(f)	(g)
45-920	45-921A	45-903G	45-964	43-635	45-919	45-914

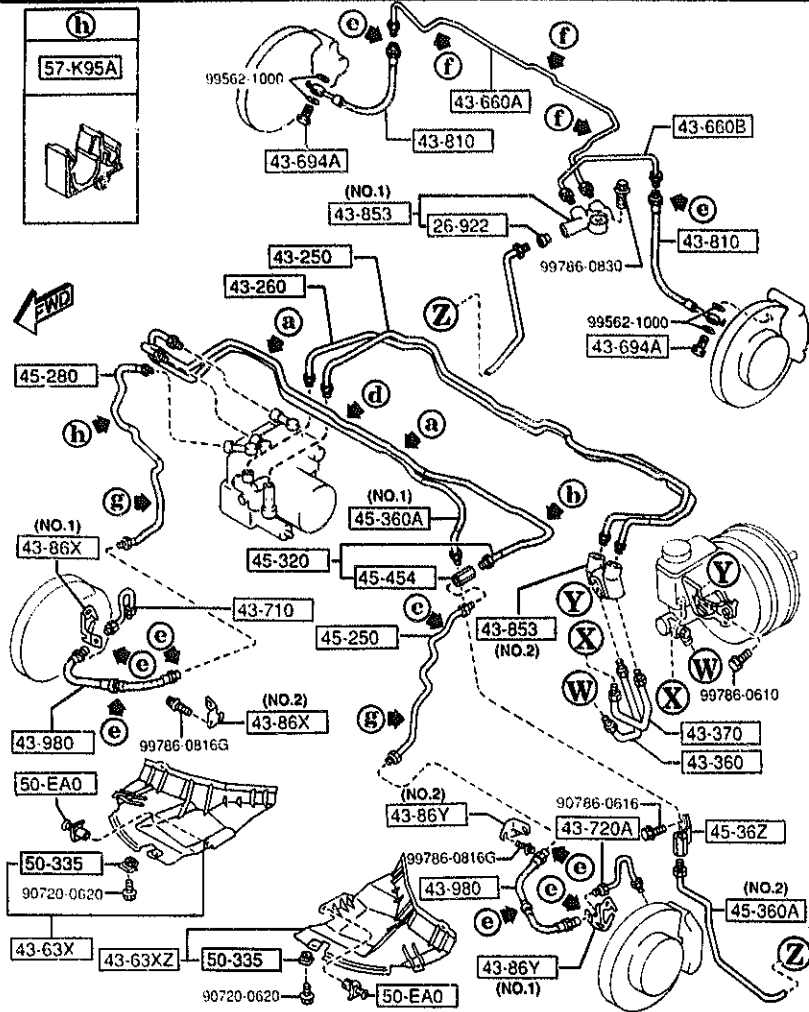
PART NO.	QTY	MODEL/RESTRICTION	MODEL/RESTRICTION	MODEL/RESTRICTION	FROM TO
43-720A		PIPE(L), BRAKE-FRONT			
FD01-43-720A	1				
43-810		HOSE, FLEXIBLE			
FD01-43-810A	2				
43-853		JOINT, PIPE			
F100-43-85X	1	(ILLUST. NO. 1)			
B455-43-853	1	(ILLUST. NO. 2)			
43-86X		BRACKET, HOSE			
FD01-43-86XB	1	(ILLUST. NO. 1)			
FD01-43-87XA	1	(ILLUST. NO. 2)			
43-86Y		BRACKET, HOSE			
FD01-43-86YB	1	(ILLUST. NO. 1)			
FD01-43-87YA	1	(ILLUST. NO. 2)			
43-980		HOSE, FLEXIBLE			
FD01-43-980B	2				
45-250		PIPE, BRAKE-FRT			
FD01-45-33XC	1				
45-280		PIPE(R), BRAKE-FRONT			
FD31-45-280A	1				
45-320		PIPE(L), BRAKE-FRONT			
FD31-45-320A	1				
45-362		JOINT, FUEL PIPE			
FD01-45-362A	1				
45-360A		PIPE, BRAKE-REAR			
FD31-45-36XA	1	(ILLUST. NO. 1)			
FD01-45-360B	1	(ILLUST. NO. 2)			
45-454		JOINT, PIPE			
D001-45-367	1				

AUFA06

CAT. AUFA06-04

1997-01

4360 BRAKE PIPINGS



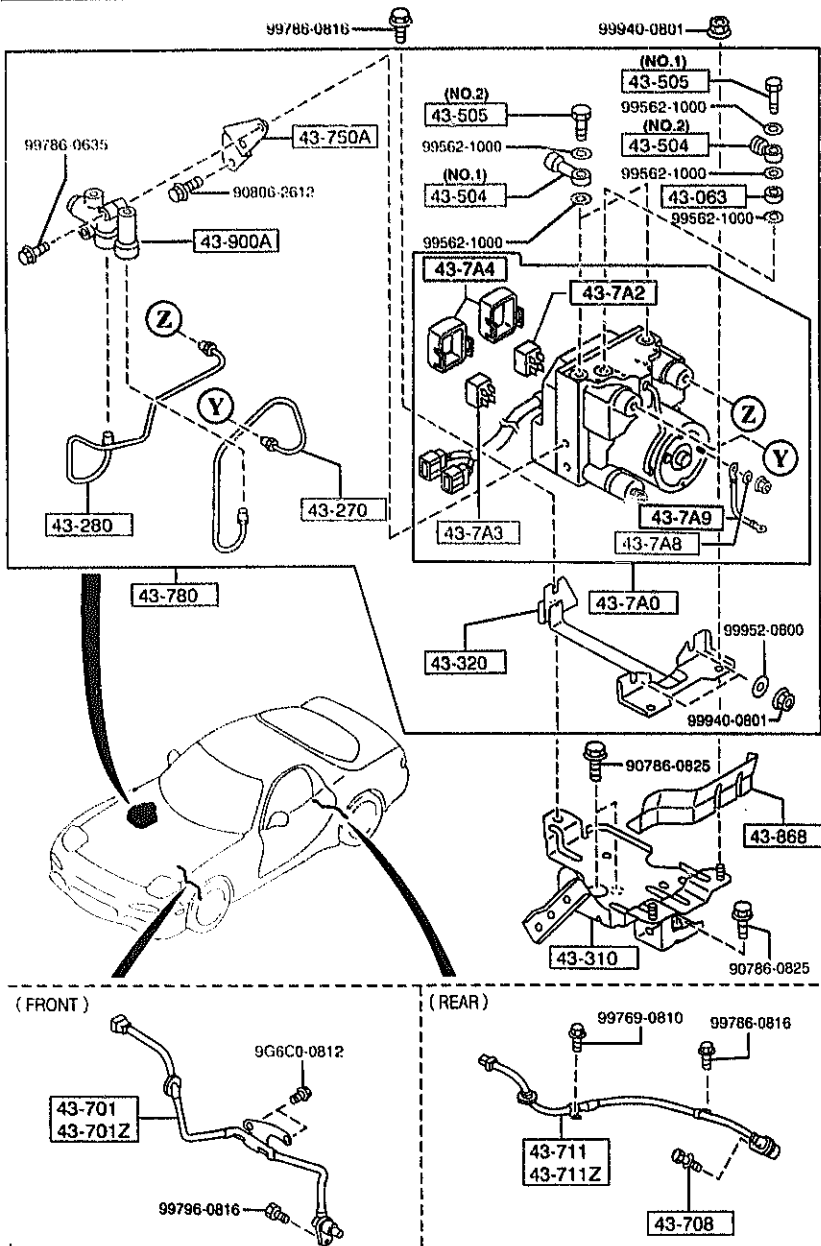
(a)	(b)	(c)	(d)	(e)	(f)	(g)
45-920	45-921A	45-903G	45-964	43-635	45-919	45-914

PART NO.	QTY	MODEL/RESTRICTION	MODEL/RESTRICTION	MODEL/RESTRICTION	FROM-TO
45-903G		CLIP, PIPE			
B455-45-916	1				
45-914		HOLDER, PIPE			
FB01-45-914	2	NIFUKU			
45-919		CLIP, PIPE			
B001-45-919B	3				
45-920		BRACKET			
NA20-45-920B	2				
45-921A		HOLDER, PIPE			
F100-45-92X	1				
45-964		HOLDER, PIPE-FRT BRAK E(L)			
F048-45-964B	1				
50-EA0		FASTENER			
EA01-50-EA0	2				
50-335		NUT, CLIP			
FB01-50-133C	4				
57-K95A		CLIP, AIR BAG			
FD14-57-K95	1				

2-K 7

4370 ANTILOCK BRAKE SYSTEM

4370 -1 ANTILOCK BRAKE SYSTEM



PART NO.	QTY	MODEL/RESTRICTION	MODEL/RESTRICTION	MODEL/RESTRICTION	FROM-TO
43-063		SPACER			
H083-43-506	1				
43-270		PIPE NO.3, BRAKE-A.B.			
FD31-43-270C	1				
43-280		PIPE NO.4, BRAKE-A.B.			
FD31-43-280B	1				
43-310		BRACKET NO 1, A.B.S.			
FD31-43-310	1				
43-320		BRACKET NO 2, A.B.S.			
FD31-43-320A	1				
43-504		JOINT, PIPE			
EA03-43-504B	2 (ILLUST. NO.1)				
W023-43-504	1 (ILLUST. NO.2)				
43-505		BOLT, CONNECTOR			
H083-43-505	1 (ILLUST. NO.1)				
W023-43-505	2 (ILLUST. NO.2)				
43-7A0		UNIT, HYDRAULIC-ABS			
FD31-43-7A0A	1				
A (FD31-43-7A0B)					
FD31-43-7A0B	1				
43-7A2		RELAY, MOTOR-HYD. UNI			
*H082-43-7A2	1				
43-7A3		RELAY, VALVE-HYD. UNI			
NA23-43-7A3	1				
43-7A4		COVER 'L', HYDRAULIC U			
*H082-43-7A4	2	NIT			
43-7A8		WASHER, HYD. UNIT			
NA23-43-7A8	1				
5410 FD333 -400028					

-5410
5410-

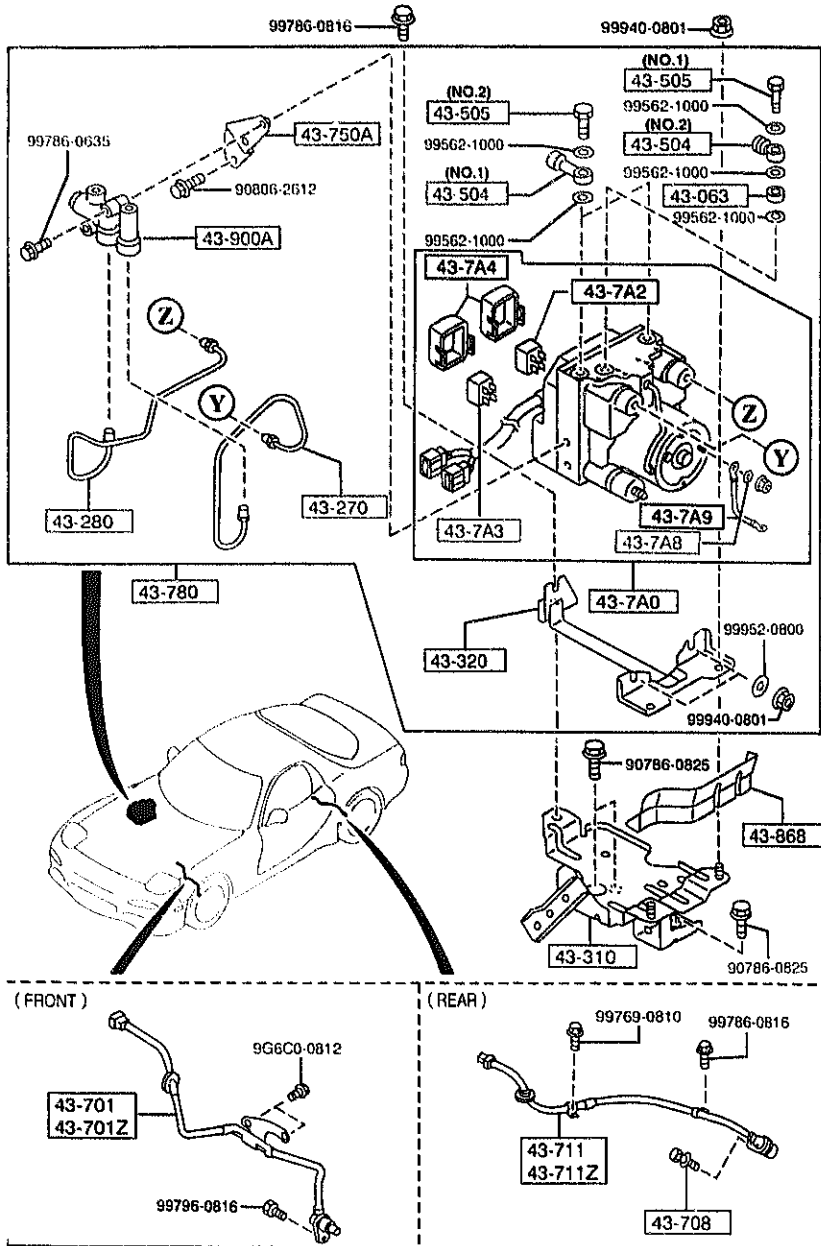
AUFA06

CAT. AUFA06-04

1997-01

4370 ANTILOCK BRAKE SYSTEM

4370 -2 * ANTILOCK BRAKE SYSTEM



PART NO.	QTY	MODEL/RESTRICTION	MODEL/RESTRICTION	MODEL/RESTRICTION	FROM-TO
43-7A9		WIRE, EARTH-HVD. UNIT			
*FD31-43-7A9	1				
43-701		SENSOR(R), FRT-A. B. S.			
FD05-43-70XB	1				
43-701Z		SENSOR(L), FRT-A. B. S.			
FD05-43-73XC	1				
43-708		BOLT, REAR SENSOR			
FD051-43-708A	2				
43-711		SENSOR(R), RR-A. B. S.			
FD04-43-71YC	1				
43-711Z		SENSOR(L), RR-A. B. S.			
FD04-43-72YC	1				
43-750A		HOLDER, P. B. VALVE			
FD31-43-750	1				
43-780		ANTILOCK BRAKE			
FD31-43-780C	1				-5410
A (FD31-43-780D)					
FD31-43-780D	1				5410-
43-868		INSULATOR			
FD31-43-867A	1				
43-900A		VALVE, P. B.			
F123-43-900	1				
5410 FD333 -400028					

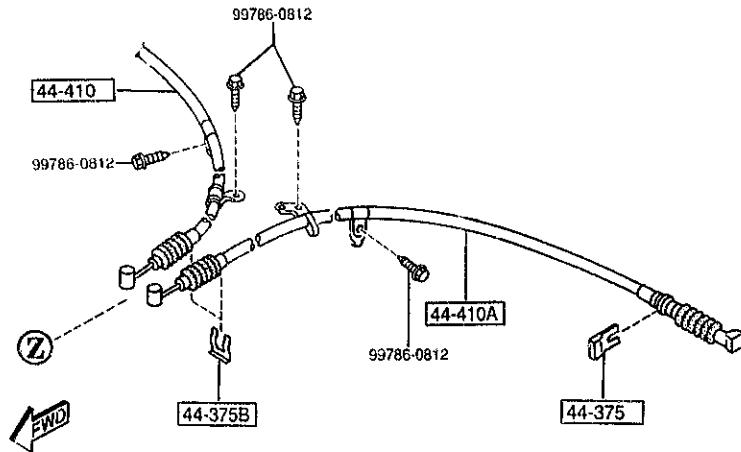
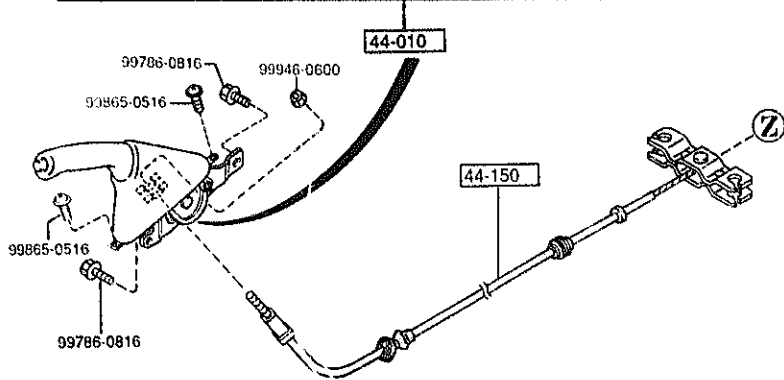
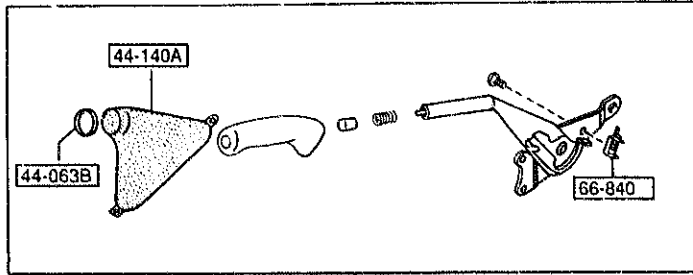
AUFA06

CAT. AUFA06-04

1997-01

4400 PARKING BRAKE SYSTEM

4400 -1 * PARKING BRAKE SYSTEM



PART NO.	QTY	MODEL/RESTRICTION	MODEL/RESTRICTION	MODEL/RESTRICTION	FROM TO
44-010		LEVER,PARKING BRAKE			
FD01-44-010G AN(FD01-44-010H)	1				-4801
FD01-44-010H	1				4801-
44-063B		RING,PARK BRAKE LVR			
FD01-44-036	1				
44-140A		BOOT			
FD01-44-035	1				
44-150		CABLE,PARKING-FRT			
FD01-44-150	1				
44-375		CLIP,PARKING CABLE CHUOUHATSUJO			
GA2B-44-375A	2				
44-375B		CLIP			
011B-44-375	2				
44-410		CABLE(R),R.-PARK.			
FD01-44-410A	1				
44-410A		CABLE(L),R.-PARK.			
FD01-44-420B	1				
66-840		SWITCH,PARKING LAMP			
FD01-66-450	1				

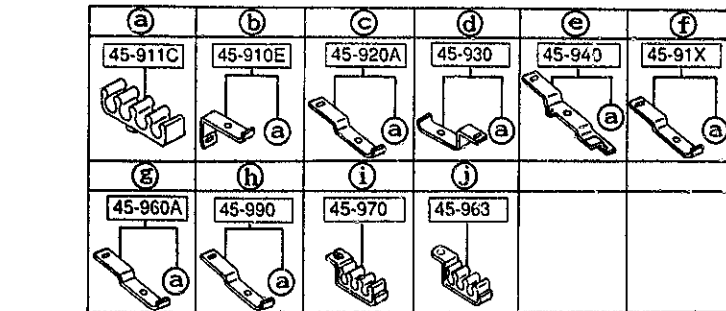
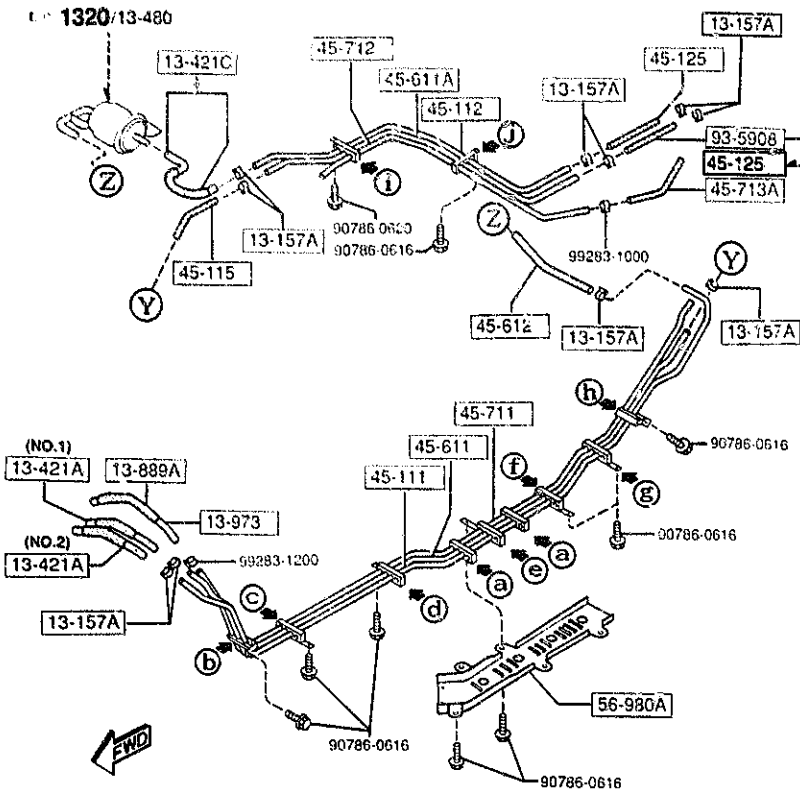
4801 FD333 -400022

AUFA06

CAT. AUFA06-04

1997-01

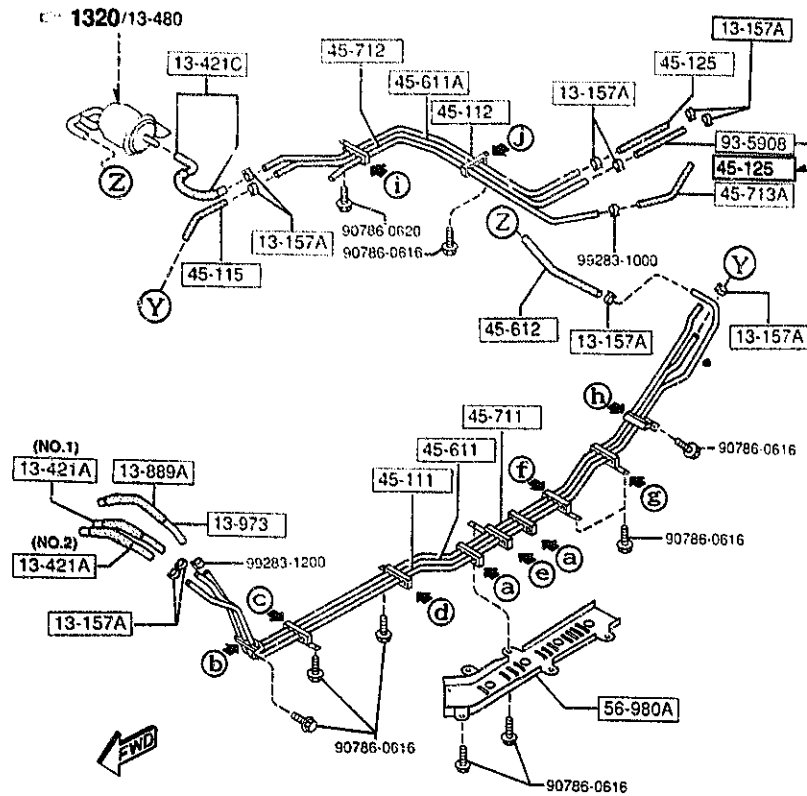
4500 FUEL PIPINGS



PART NO.	QTY	MODEL/RESTRICTION	MODEL/RESTRICTION	MODEL/RESTRICTION	FROM-TO
13-157A		CLIP			
8574-13-157	10				
13-421A		HOSE, FUEL MAIN			
NSA2-13-421	1	(ILLUST. NO. 2)			-541b
NSA1-13-421	1	(ILLUST. NO. 1)			541b-
NSD8-13-421	1	(ILLUST. NO. 1)			
13-421C		HOSE, FUEL			
NSA1-13-410	1				
13-889A		PROTECTOR			
NSA2-13-889A	1				
13-973		HOSE, DRAIN			
NSA2-13-971A	1				
45-111		PIPE, FUEL-MAIN			
FD01-45-111	1				
45-112		PIPE, FUEL-MAIN			
FD01-45-112	1				
45-115		HOSE, FUEL-MAIN PIPE			
FD01-45-115B	1				
45-125		HOSE, FUEL			
99359-0815	1				-5701
99359-0815	2				5701-
45-611		PIPE, FUEL-RETURN			
FD01-45-611A	1				
45-611A		PIPE, FUEL-RETURN			
FD01-45-612	1				
45-612		HOSE, FUEL			
99359-0819	1				
45-711		PIPE, EVAPORATION			
5418 FD333 -400030					
5701 FD333 -400230					

4500 FUEL PIPINGS

4500 -2 FUEL PIPINGS

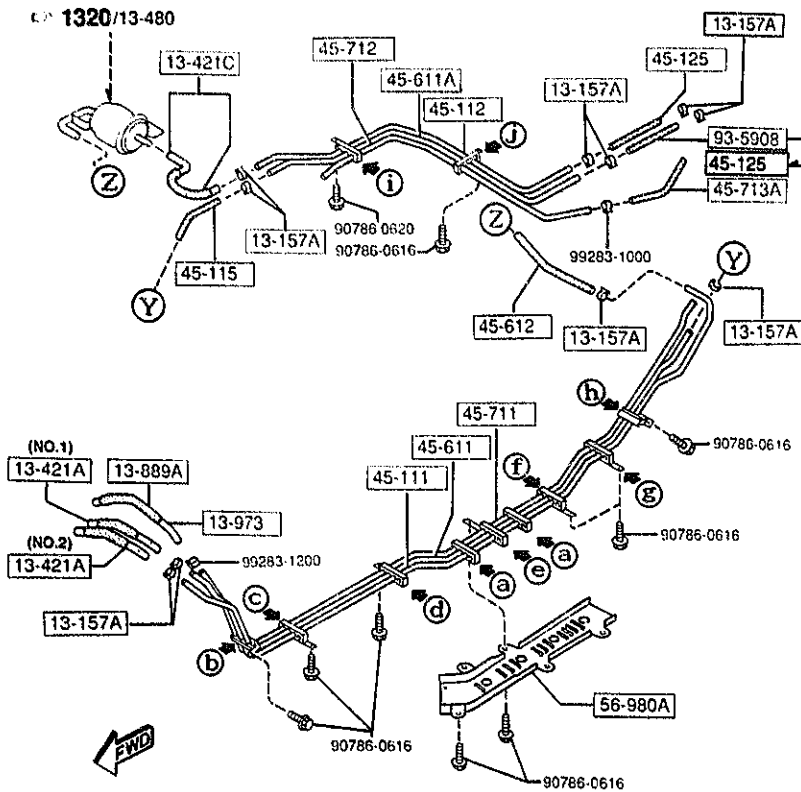


a	b	c	d	e	f
45-911C	45-910E	45-920A	45-930	45-940	45-91X
g	h	i	j		
45-960A	45-990	45-970	45-963		

PART NO.	QTY	MODEL/RESTRICTION	MODEL/RESTRICTION	MODEL/RESTRICTION	FROM-10
CONT'D					
FD01-45-711	1				
45-712		PIPE, EVAPORATOR			
FD01-45-712A	1				
45-713A		HOSE, FUEL			
FD01-45-713	1				
45-91X		HOLDER 'E', PIPE-FUEL			
FD01-45-95X	1				
45-910E		HOLDER, PIPE			
FD01-45-910A	1				
45-911C		CLIP, PIPE			
FD01-45-911	9				
45-920A		HOLDER 'B', PIPE			
FD01-45-920	1				
45-930		HOLDER 'C', PIPE			
FD01-45-930	1				
45-940		HOLDER, PIPE			
FD01-45-940A	1				
45-960A		HOLDER 'F', PIPE			
FD01-45-960	1				
45-963		HOLDER 'J', PIPE			
FD01-45-980	1				
45-970		HOLDER 'G', PIPE			
FD01-45-970	1				
45-990		HOLDER 'K', PIPE-FUEL			
FD01-45-990	1				
56-980A		PROTECTOR, PIPE			
FD01-56-191A	1				

4500 FUEL PIPINGS

4500 -3 * FUEL PIPINGS

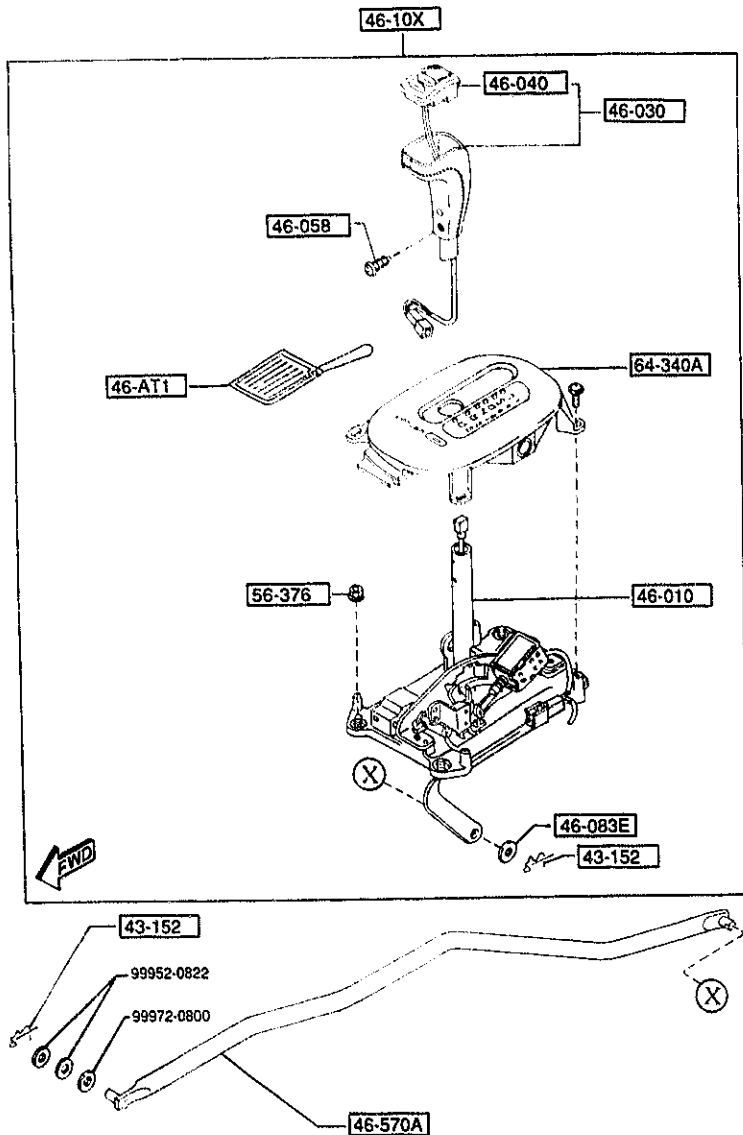


(a)	(b)	(c)	(d)	(e)	(f)
45-911C	45-910E	45-920A	45-930	45-940	45-91X
(g)	(h)	(i)	(j)		
45-960A	45-990	45-970	45-963		

PART NO.	QTY	MODEL/RESTRICTION	MODEL/RESTRICTION	MODEL/RESTRICTION	FROM-TO
93-5908 99359-0815M	1	HOSE			-5701
5701 FD333 -400230					

4600 CHANGE CONTROL SYSTEM
(AT)

4600 -1 * CHANGE CONTROL SYSTEM
(AT)



PART NO.	QTY	MODEL/RESTRICTION	MODEL/RESTRICTION	MODEL/RESTRICTION	FROM TO
43-152		PIN,SNAP			
FB02-43-152A	2				
46-AT1		TAG,CAUTION-CHANGE			
FD02-46-AT1	1				-4A01
46-010		LEVER,SELECT			
FD02-46-100C	1				
46-030		KNOB,CHANGE LEVER			
FD02-46-030	1				
46-040		SWITCH,OVER DRIVE CO NTROL			
FC07-46-040A	1				-5901
*FD02-46-040	1				5901-
46-058		SCREW,CHANGE LEVER K NOB			
FD02-46-058	2				
46-083E		WASHER			
J001-46-051	1				
46-10X		CHANGE COMPLETE			
FD02-46-10XE	1				
46-570A		ROD,SELECTOR-REAR			
FD02-46-570A	1				
56-376		NUT,SELF LOCK			
B001-56-376	4				
64-340A		INDICATOR			
FD02-64-350D	1				
4A01 FD333 -400014					
5901 FD333 -400232					

AUFA06

CAT. AUFA06-04

1997-01