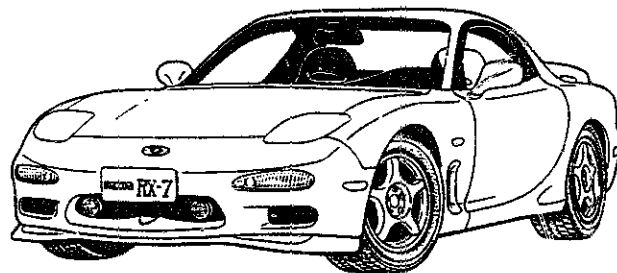


# Parts Catalog

Mazda RX-7  
U.S.A.  
'94



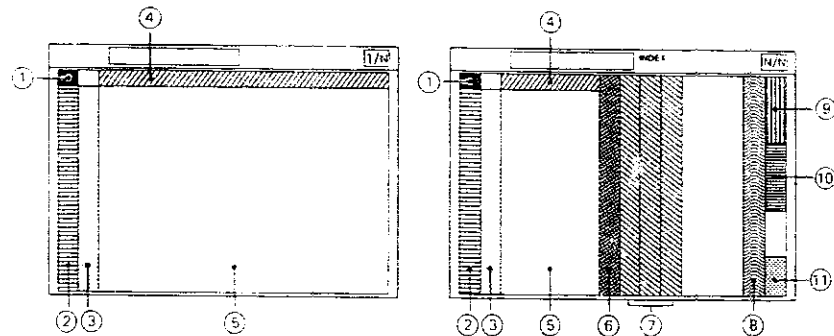
FD333 • 300001-310000

Apr. '95 (FINAL)  
Catalog No. AU-FA05-03

**Mazda**  
© 1995 Mazda Motor Corporation

## LAYOUT OF CONTENTS / DISPOSITION TYPOGRAPHIQUE DE CONTENU / DISPOSICION DEL CONTENIDO / ANORDNUNG DES INHALTS


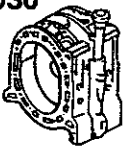

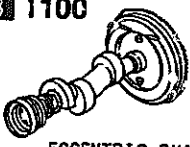

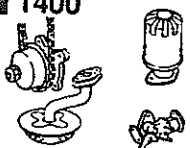
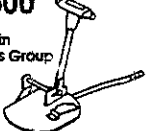
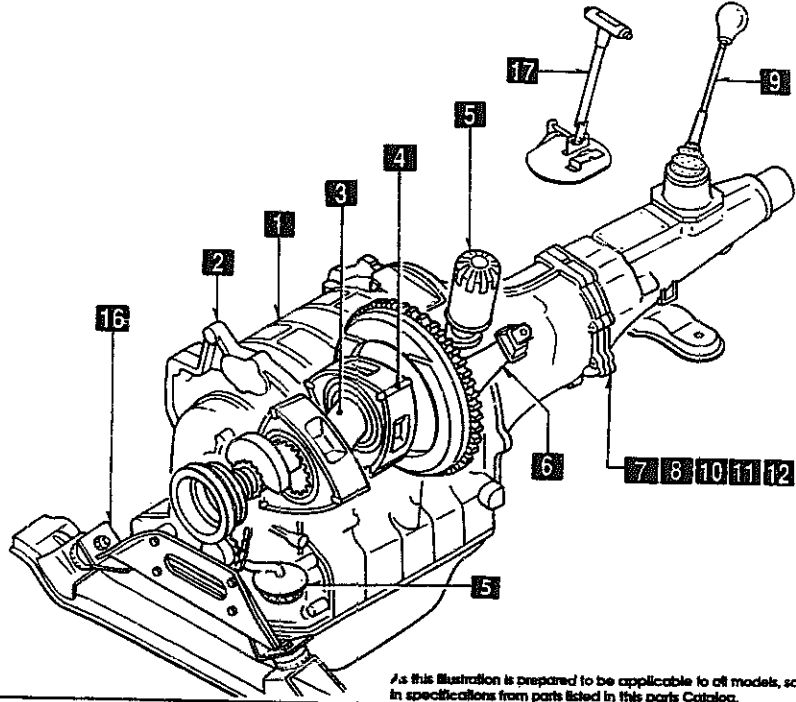
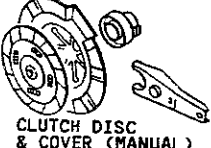
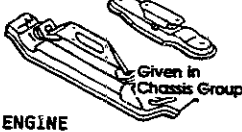
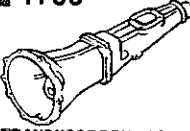
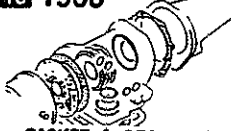
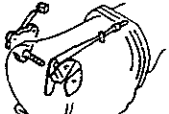
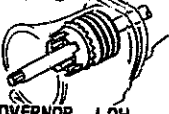



- The following is a typical example of the layout of contents on Mazda microfiche parts catalog
- Voici un exemple typique de la disposition typographique de contenu dans les microfiches de catalogue des pièces de Mazda.
- El siguiente es un ejemplo típico de la disposición del contenido en una microficha del catálogo de repuestos de Mazda.
- Folgendes ist ein typisches Beispiel der Inhaltsanordnung des Mazda-Mikrofiche Teilekatalogs.




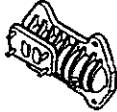



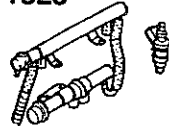
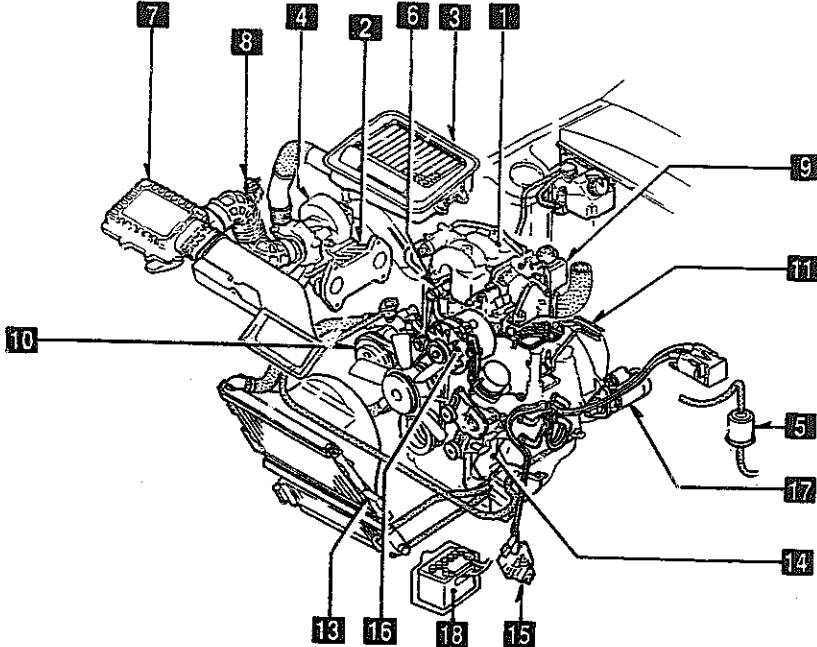
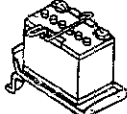
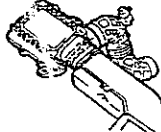
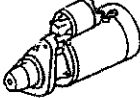
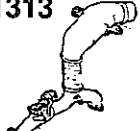
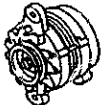


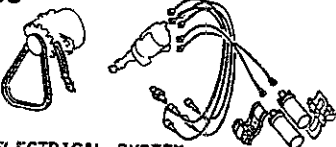

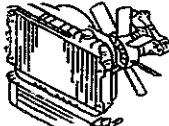

Remark : The items listed under ④ have been deleted from each fiche since Dec. '93

- |  |   |   |
|--|---|---|
| ① • Layout of contents<br>• Disposition Typographique de Contenu<br>• Disposición del contenido<br>• Anordnung des Inhalts   | ② • Pictorial Index<br>• Index par Schémas<br>• Índice Gráfico<br>• Illustrierter Index                           | ③ • Master Section No. Index<br>• Index des Numéros des Sections Totale<br>• Índice del Número de la Sección Maestra<br>• Hauptabschnittsnummer-Index       |
| <del>④ • Section No. Index for the Column<br/>• Index des Numéros des Sections pour les Colonnes<br/>• N° de la Sección para el Índice<br/>• Abschnittsnummer-Index für die Spalte</del> | ⑤ • Illustration & Text<br>• Illustrations et Textes<br>• Ilustración y Texto<br>• Abbildung und Text             | ⑥ • Part No. Index<br>• Index des Numéros des Pièces<br>• Índice del N° de Pieza<br>• Teile-Nr.-Index   |
| ⑦ • Alphabetical Index<br>• Index Alphabétique<br>• Índice Alfabético<br>• Alphabetischer Index  | ⑧ • Model Identification<br>• Identification des Modèles<br>• Identificación del Modelo<br>• Modell-Kennzeichnung | ⑨ • Vehicle Identification System<br>• Système d'Identification de Véhicule<br>• Sistema de Identificación de Vehículo<br>• Fahrzeug-Identifikations-system |

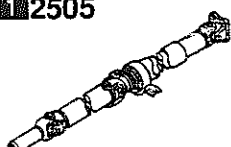
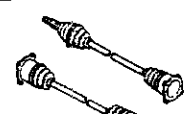


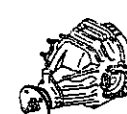



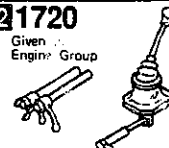
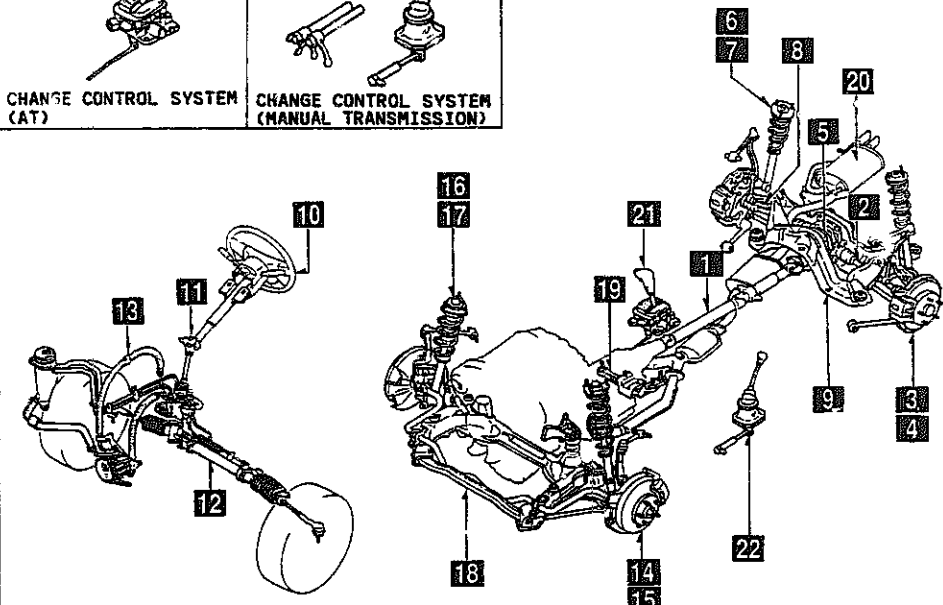

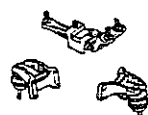

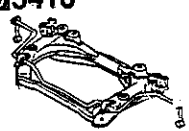
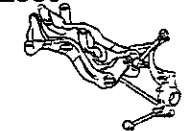
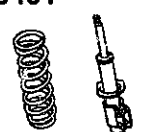



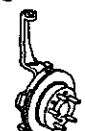
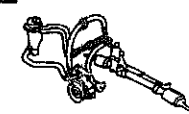
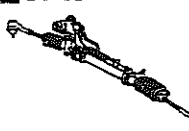

## PICTORIAL INDEX

<p><b>1000</b></p>  <p style="text-align: center;"><b>ENGINE &amp; GASKET SETS</b></p>	<p><b>1 1030</b></p>  <p style="text-align: center;"><b>ROTOR HOUSINGS</b></p>	<p><b>2 1040</b></p>  <p style="text-align: center;"><b>OIL PAN, FRONT &amp; REAR HOUSING</b></p>	<p><b>3 1100</b></p>  <p style="text-align: center;"><b>ECCENTRIC SHAFT &amp; FLYWHEEL</b></p>	<p><b>4 1110</b></p>  <p style="text-align: center;"><b>ROTORs &amp; RELATED PARTS</b></p>	<p><b>5 1400</b></p>  <p style="text-align: center;"><b>OIL PUMP &amp; FILTER</b></p>
<p><b>17 4600</b></p> <p style="font-size: small;">Given in Chassis Group</p>  <p style="text-align: center;"><b>CHANGE CONTROL SYSTEM (AT)</b></p>	<p style="font-size: 2em; font-weight: bold;">ENGINE (1/2)</p> 				<p><b>6 1600</b></p>  <p style="text-align: center;"><b>CLUTCH DISC &amp; COVER (MANUAL)</b></p>
<p><b>16 3900</b></p> <p style="font-size: small;">Given in Chassis Group</p>  <p style="text-align: center;"><b>ENGINE &amp; T/MISSION MOUNTINGS</b></p>	<p style="font-size: x-small;">As this illustration is prepared to be applicable to all models, some parts are different in specifications from parts listed in this parts Catalog.</p>				<p><b>7 1700</b></p>  <p style="text-align: center;"><b>TRANSMISSION CASE (MANUAL)</b></p>
<p><b>15 1960</b></p>  <p style="text-align: center;"><b>GASKET &amp; SEAL KIT (AUTOMATIC)</b></p>	<p><b>14 1950</b></p>  <p style="text-align: center;"><b>MANUAL LINKAGE SYSTEM (AUTOMATIC)</b></p>	<p><b>13 1940</b></p>  <p style="text-align: center;"><b>GOVERNOR, LOW &amp; REVERSE PISTON (AUTOMATIC)</b></p>	<p><b>12 1930</b></p>  <p style="text-align: center;"><b>CLUTCHES &amp; PLANETARY GEARS (AUTOMATIC)</b></p>	<p><b>11 1920 &amp; 1925</b></p>  <p style="text-align: center;"><b>TRANSMISSION CASE &amp; MAIN CONTROL SYSTEM (AUTOMATIC)</b></p>	<p><b>10 1910</b></p>  <p style="text-align: center;"><b>TORQUE CONVERTER, OIL PUMP &amp; PIPINGS (AUTOMATIC)</b></p>



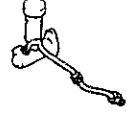


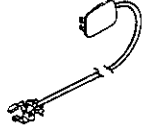
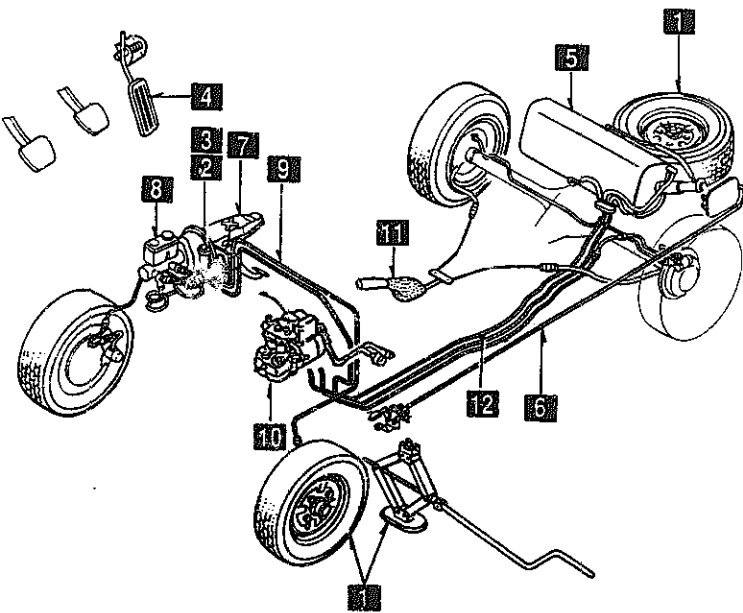
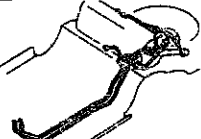

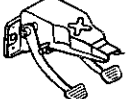
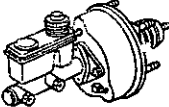

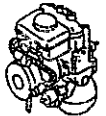
## PICTORIAL INDEX

<b>1</b> 1300  INLET MANIFOLD	<b>2</b> 1310  EXHAUST MANIFOLD	<b>3</b> 1311  INTER COOLER	<b>4</b> 1312  TURBO CHARGER	<b>5</b> 1320  FUEL SYSTEM	<b>6</b> 1325  FUEL DISTRIBUTOR
<h3 style="margin: 0;">ENGINE (2/2)</h3> 					
<b>18</b> 1850  BATTERY					<b>7</b> 1330  AIR CLEANER
<b>17</b> 1840  STARTER					<b>8</b> 1313  TWIN TURBO AIR INTAKE SYSTEM
<b>16</b> 1830  ALTERNATOR					<b>9</b> 1364  THROTTLE BODY
				<b>12</b>	<b>10</b> 1371  AIR PUMP & AIR CONTROL VALVE
<b>15</b> 1800  ENGINE ELECTRICAL SYSTEM		<b>14</b> 1580  BRACKET, PULLEY & BELT		<b>13</b> 1500  COOLING SYSTEM	
As this illustration is prepared to be applicable to all models, some parts are different in specifications from parts listed in this parts Catalog.					
<b>11</b> 1380  EMISSION CONTROL SYSTEM					

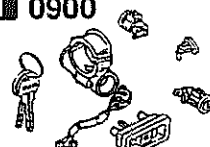
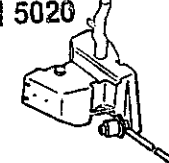

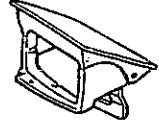
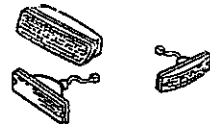
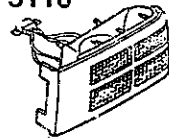
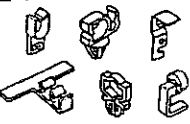
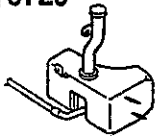
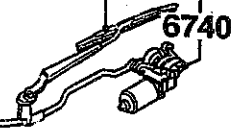
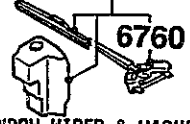
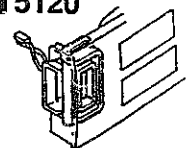

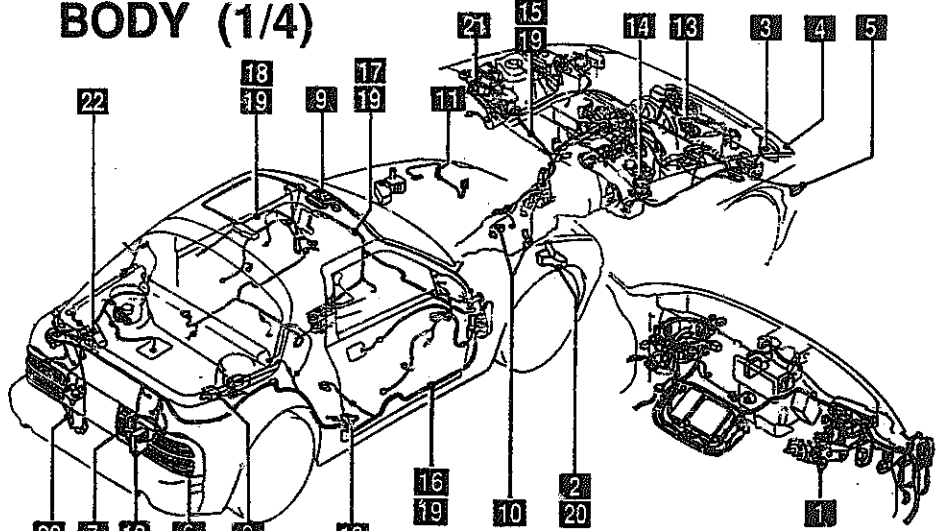
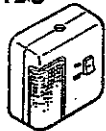

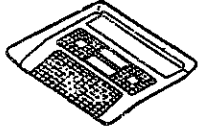


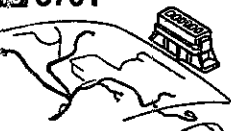

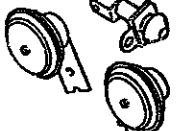
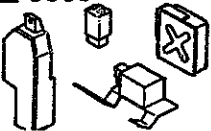

## PICTORIAL INDEX

<p><b>1 2505</b></p>  <p>REAR PROPELLER SHAFT</p>	<p><b>2 2550</b></p>  <p>REAR DRIVE SHAFT</p>	<p><b>3 2600</b></p>  <p>REAR AXLE</p>	<p><b>4 2610</b></p>  <p>REAR BRAKE MECHANISMS</p>	<p><b>5 2710</b></p>  <p>REAR DIFFERENTIALS</p>	<p><b>6 2800</b></p>  <p>REAR SUSPENSION MECHANISMS</p>
<p><b>20 4000</b></p>  <p>EXHAUST SYSTEM</p>	<p><b>21 4600</b></p>  <p>CHANGE CONTROL SYSTEM (AT)</p>	<p><b>22 1720</b></p> <p>Given Engin. Group</p>  <p>CHANGE CONTROL SYSTEM (MANUAL TRANSMISSION)</p>	<p><b>CHASSIS (1/2)</b></p> 		<p><b>7 2801</b></p>  <p>REAR SPRING &amp; DAMPER</p>
<p><b>19 3900</b></p>  <p>ENGINE &amp; T/MISSION MOUNTINGS</p>				<p><b>8 2810</b></p>  <p>REAR STABILIZER</p>	
<p><b>13 3410</b></p>  <p>CROSSMEMBER &amp; STABILIZER</p>				<p><b>9 2830</b></p>  <p>REAR LOWER ARMS &amp; SUB FRAME</p>	
<p><b>17 3401</b></p>  <p>FRONT SPRING &amp; DAMPER</p>				<p><b>10 3200</b></p>  <p>STEERING WHEEL</p>	
<p><b>16 3400</b></p>  <p>FRONT SUSPENSION MECHANISMS</p>				<p>As this illustration is prepared to be applicable to all models, some parts are different in specifications from parts listed in this parts Catalog.</p>	
<p><b>15 3310</b></p>  <p>FRONT BRAKE MECHANISMS</p>	<p><b>14 3300</b></p>  <p>FRONT AXLE</p>	<p><b>13 3240</b></p>  <p>POWER STEERING SYSTEM (FRONT)</p>	<p><b>12 3220</b></p>  <p>STEERING GEAR</p>	<p><b>11 3210</b></p>  <p>STEERING COLUMN &amp; SHAFTS</p>	

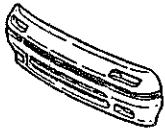






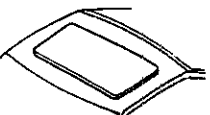

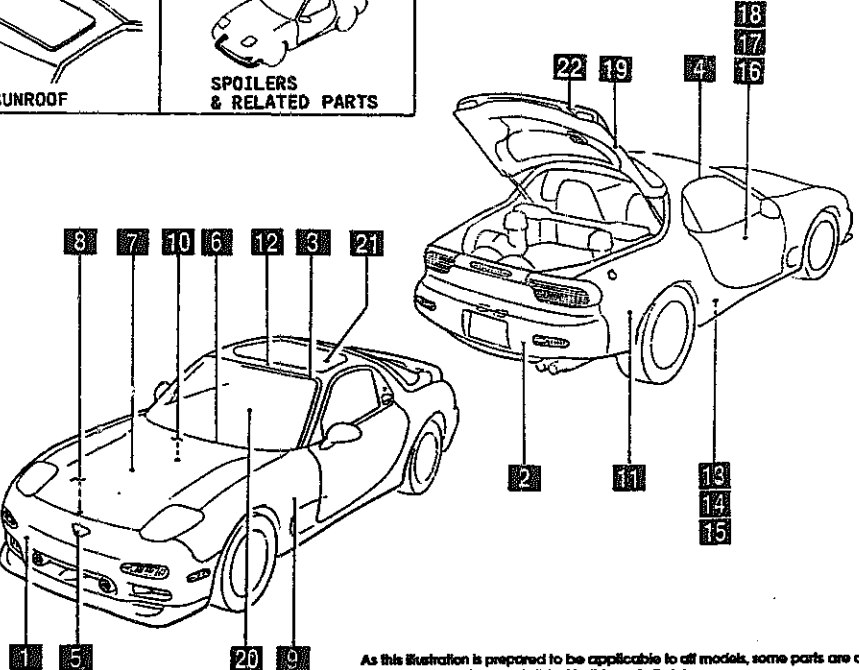


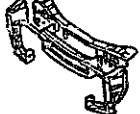

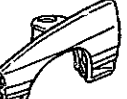

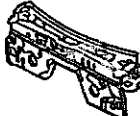

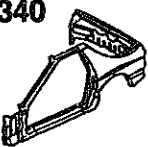




## PICTORIAL INDEX

<b>1</b> 3700  TIRES & JACK	<b>2</b> 4140  CLUTCH RELEASE & MASTER CYLINDERS	<b>3</b> 4145  CLUTCH PIPINGS	<b>4</b> 4160  ACCELERATOR CONTROL SYSTEM	<b>5</b> 4200  FUEL TANK	<b>6</b> 4210  FUEL LID OPENER
<h3 style="margin: 0;">CHASSIS (2/2)</h3> 					
As this illustration is prepared to be applicable to all models, some parts are different in specifications from parts listed in this parts Catalog.					
				<b>12</b> 4500  FUEL PIPINGS	<b>11</b> 4400  PARKING BRAKE SYSTEM
				<b>7</b> 4300  CLUTCH & BRAKE PEDALS	<b>8</b> 4340  BRAKE MASTER CYLINDER & POWER BRAKE
				<b>9</b> 4360  BRAKE PIPINGS	<b>10</b> 4370  ANTILOCK BRAKE SYSTEM

## PICTORIAL INDEX

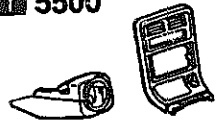
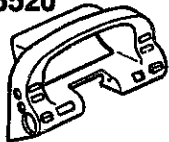

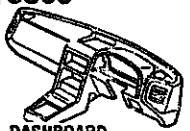
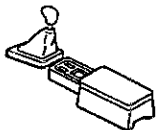




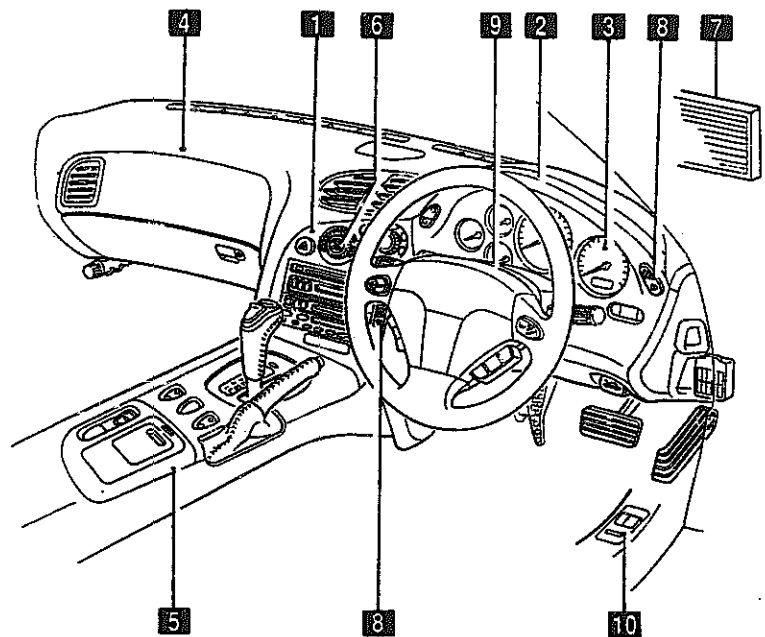
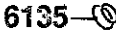

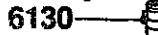


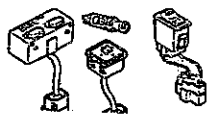
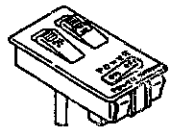
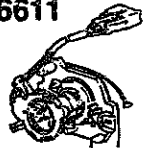
<p><b>1</b> 0900</p>  <p style="text-align: center;">KEY SETS</p>	<p><b>2</b> 5020</p>  <p style="text-align: center;">HEAD LAMP CLEANER</p>	<p><b>3</b> 5100</p>  <p style="text-align: center;">HEAD LAMPS</p>	<p><b>4</b> 5103</p>  <p style="text-align: center;">HEAD LAMP RETRACTORS</p>	<p><b>5</b> 5105</p>  <p style="text-align: center;">FRONT COMBINATION LAMPS</p>	<p><b>6</b> 5110</p>  <p style="text-align: center;">REAR COMBINATION LAMPS</p>
<p><b>19</b> 6704</p>  <p style="text-align: center;">WIRING HARNESS CLAMPS</p>	<p><b>20</b> 6720</p>  <p style="text-align: center;">WINDSHIELD WASHER</p>	<p><b>21</b> 6730</p>  <p style="text-align: center;">WINDSHIELD WIPERS</p>	<p><b>22</b> 6750</p>  <p style="text-align: center;">WINDOW WIPER &amp; WASHER (REAR)</p>	<p><b>7</b> 5120</p>  <p style="text-align: center;">LICENSE LAMPS</p>	
<p><b>13</b> 6703</p>  <p style="text-align: center;">WIRING HARNESSSES (DOOR, FLOOR/CEILING)</p>	<p><b>BODY (1/4)</b></p>  <p style="text-align: center; font-size: small;">As this illustration is prepared to be applicable to all models, some parts are different in specifications from parts listed in this parts Catalog.</p>				<p><b>8</b> 5125</p>  <p style="text-align: center;">INTERIOR LAMPS</p>
<p><b>17</b> 6702</p>  <p style="text-align: center;">WIRING HARNESSSES (DASHBOARD)</p>					<p><b>9</b> 5130</p>  <p style="text-align: center;">OVERHEAD CONSOLE</p>
<p><b>16</b> 6700</p>  <p style="text-align: center;">WIRING HARNESSSES (FRONT &amp; REAR)</p>					<p><b>10</b> 6600</p>  <p style="text-align: center;">SWITCHES &amp; RELAYS (ENGINE)</p>
<p><b>15</b> 6701</p>  <p style="text-align: center;">WIRING HARNESSSES (ENGINE &amp; T/MISSION)</p>	<p><b>14</b> 6640</p>  <p style="text-align: center;">AUTO CRUISE CONTROL SYSTEM</p>	<p><b>18</b> 6635</p>  <p style="text-align: center;">DOOR SWITCH &amp; HORNS</p>	<p><b>12</b> 6630</p>  <p style="text-align: center;">RELAYS &amp; UNIT (BODY)</p>	<p><b>11</b> 5795</p>  <p style="text-align: center;">AIR BAG</p>	

## PICTORIAL INDEX

<p><b>1 5000</b></p>  <p style="text-align: center;">FRONT BUMPER</p>	<p><b>2 5010</b></p>  <p style="text-align: center;">REAR BUMPER</p>	<p><b>3 5030</b></p>  <p style="text-align: center;">WINDOW MOULDINGS</p>	<p><b>4 5040</b></p>  <p style="text-align: center;">BODY MOULDINGS</p>	<p><b>5 5170</b></p>  <p style="text-align: center;">ORNAMENTS</p>	<p><b>6 5180</b></p>  <p style="text-align: center;">COWL &amp; EXTRACTOR GRILLES</p>
<p><b>20 6300</b></p>  <p style="text-align: center;">WINDOW GLASSES</p>	<p><b>21 6330</b></p>  <p style="text-align: center;">SUNROOF</p>	<p><b>22 7800</b></p>  <p style="text-align: center;">SPOILERS &amp; RELATED PARTS</p>	<p><b>BODY (2/4)</b></p> 		<p><b>7 5230</b></p>  <p style="text-align: center;">BONNET</p>
<p><b>19 6230</b></p>  <p style="text-align: center;">LIFT GATE MECHANISMS</p>			<p><b>8 5310</b></p>  <p style="text-align: center;">FRONT PANELS</p>		
<p><b>13 5840</b></p>  <p style="text-align: center;">FRONT DOOR TRIMS &amp; RELATED PARTS</p>			<p><b>9 5320</b></p>  <p style="text-align: center;">FENDER &amp; WHEEL APRON PANELS</p>		
<p><b>17 5830</b></p>  <p style="text-align: center;">FRONT DOOR MECHANISMS</p>			<p><b>10 5330</b></p>  <p style="text-align: center;">DASH &amp; COWL PANELS</p>		
<p><b>15 5800</b></p>  <p style="text-align: center;">FRONT DOORS</p>			<p><b>11 5340</b></p>  <p style="text-align: center;">SIDE PANELS</p>		
<p><b>15 5390</b></p>  <p style="text-align: center;">FLOOR ATTACHMENTS</p>	<p><b>14 5380</b></p>  <p style="text-align: center;">FLOOR ATTACHMENTS (HOLE COVERS)</p>	<p><b>13 5370</b></p>  <p style="text-align: center;">FLOOR PANELS</p>	<p><b>12 5360</b></p>  <p style="text-align: center;">ROOF PANELS</p>		

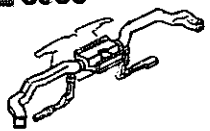



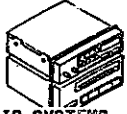
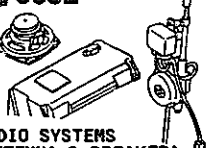
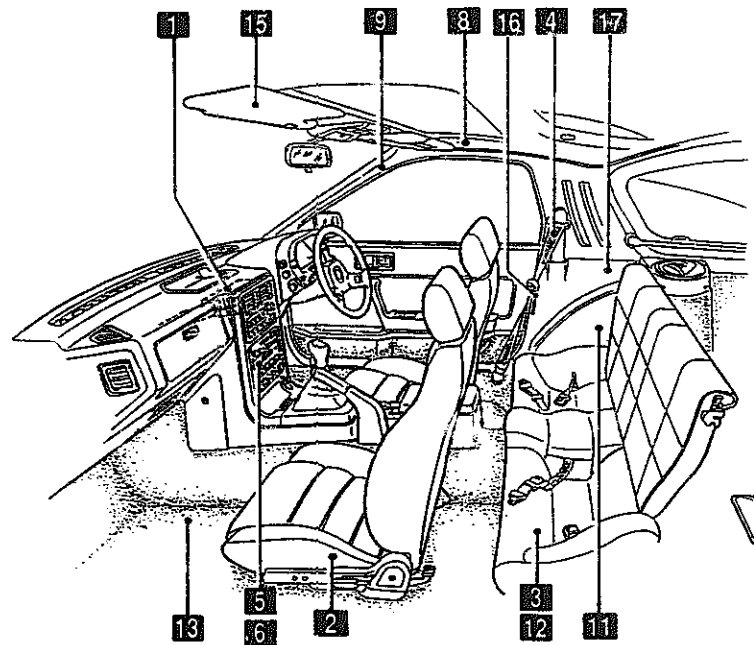
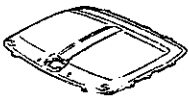

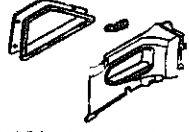


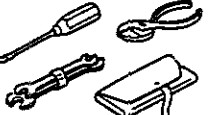
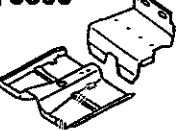
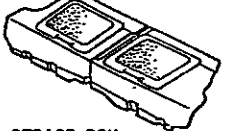
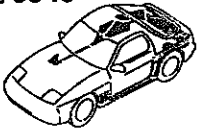
As this illustration is prepared to be applicable to all models, some parts are different in specifications from parts listed in this parts Catalog.

## PICTORIAL INDEX

<p><b>1 5500</b></p>  <p><b>DASHBOARD EQUIPMENTS</b></p>	<p><b>2 5520</b></p>  <p><b>METER HOOD</b></p>	<p><b>3 5540</b></p>  <p><b>METER COMPONENTS</b></p>	<p><b>4 5560</b></p>  <p><b>DASHBOARD &amp; RELATED PARTS</b></p>	<p><b>5 5570</b></p>  <p><b>CONSOLE</b></p>	<p><b>6</b></p>  <p>6120</p>  <p>6100</p>  <p>6110</p>  <p>6115</p> <p><b>HEATER</b></p>
<h3 style="margin: 0;">BODY (3/4)</h3>  <p style="text-align: center; font-size: small; margin-top: 10px;">As this illustration is prepared to be applicable to all models, some parts are different in specifications from parts listed in this parts Catalog.</p>					
<p><b>7</b></p>  <p>6135</p>  <p>6130</p>  <p>6130</p>  <p>6140</p>  <p>6150</p> <p><b>AIR CONDITIONER</b></p>					
<p><b>8 6610</b></p>  <p><b>DASHBOARD SWITCHES</b></p>					
<p><b>10 6615</b></p>  <p><b>POWER WINDOW SWITCHES</b></p>				<p><b>9 6611</b></p>  <p><b>COMBINATION SWITCH</b></p>	



## PICTORIAL INDEX

<b>1</b> 5580  VENTILATOR	<b>2</b> 5700  FRONT SEATS	<b>3</b> 5750  REAR SEATS	<b>4</b> 5790  SEAT BELTS	<b>5</b> 6680  AUDIO SYSTEMS (RADIO & TAPE DECK)	<b>6</b> 6682  AUDIO SYSTEMS (ANTENNA & SPEAKER)
<h3 style="margin: 0;">BODY (4/4)</h3> 					
					<b>7</b>
					<b>8</b> 6800  CEILING TRIMS
					<b>9</b> 6820  PILLAR TRIMS
<b>17</b> 7250  QUARTER WINDOW & TRIMS					<b>10</b>
<b>16</b> 6930  CAUTION PLATES & LABELS	<b>15</b> 6900  VISORS, ASSIST HANDLES & MIRRORS	<b>14</b> 6870  SERVICE TOOLS	<b>13</b> 6860  FLOOR MATS & PADS	<b>12</b> 6845  STORAGE BOX	<b>11</b> 68-10  TRIMS & SCUFF PLATES

As this illustration is prepared to be applicable to all models, some parts are different in specifications from parts listed in this parts Catalog.

## SECTION NAME INDEX (ENGINE)

LD.NO	SEC.NO	SECTION NAME	LD.NO	SEC.NO	SECTION NAME	LD.NO	SEC.NO	SECTION NAME
1-C03	1000	ENGINE & GASKET SETS	1-F11	1940	GOVERNOR, LOW & REVERSE PISTON (AUTOMATIC)			
1-D03	1030	ROTOR HOUSINGS	1-H11	1950	MANUAL LINKAGE SYSTEM (AUTOMATIC)			
1-G03	1040	OIL PAN, FRONT & REAR HOUSING	1-J11	1960	GASKET & SEAL KIT (AUTOMATIC)			
1-J03	1100	ECCENTRIC SHAFT & FLYWHEEL						
1-M03	1110	ROTORS & RELATED PARTS						
1-C04	1300	INLET MANIFOLD						
1-D04	1310	EXHAUST MANIFOLD						
1-E04	1311	INTER COOLER						
1-F04	1312	TURBO CHARGER						
1-H04	1313	TWIN TURBO AIR INTAKE SYSTEM						
1-J04	1320	FUEL SYSTEM						
1-K04	1325	FUEL DISTRIBUTOR						
1-N04	1330	AIR CLEANER						
1-C05	1364	THROTTLE BODY						
1-E05	1371	AIR PUMP & AIR CONTROL VALVE						
1-G05	1380	EMISSION CONTROL SYSTEM						
1-C06	1400	OIL PUMP & FILTER						
1-F06	1500	COOLING SYSTEM						
1-N06	1580	BRACKET, PULLEY & BELT						
1-C07	1600	CLUTCH DISC & COVER (MANUAL)						
1-E07	1700	TRANSMISSION CASE (MANUAL)						
1-I07	1710	TRANSMISSION GEARS (MANUAL)						
1-C08	1720	CHANGE CONTROL SYSTEM (MANUAL)						
1-E08	1800	ENGINE ELECTRICAL SYSTEM						
1-H08	1830	ALTERNATOR						
1-J08	1840	STARTER (MT)						
1-L08	1840 A	STARTER (AT)						
1-N08	1850	BATTERY						
1-C09	1910	TORQUE CONVERTER, OIL PUMP & PIPINGS (AUTOMATIC)						
1-N09	1920	TRANSMISSION CASE & MAIN CONTROL SYSTEM (AUTOMATIC)						
1-N09	1925	CONTROL VALVE (AUTOMATIC)						
1-J10	1930	CLUTCHES & PLANETARY GEARS (AUTOMATIC)						

## SECTION NAME INDEX (CHASSIS)

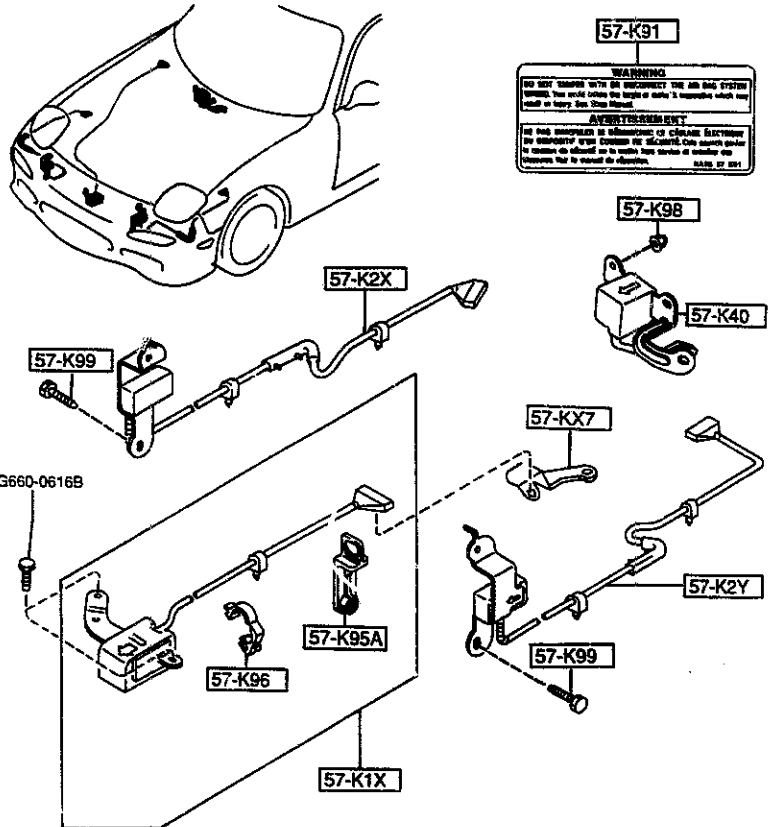
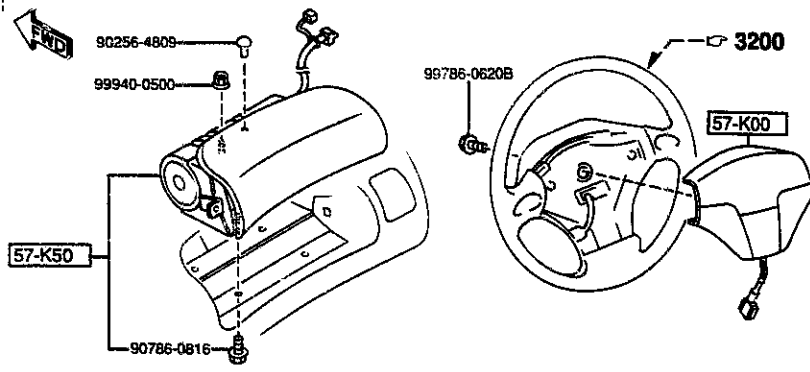
LO.NO	SEC.NO	SECTION NAME	LO.NO	SEC.NO	SECTION NAME	LO.NO	SEC.NO	SECTION NAME
2-C03	2505	REAR PROPELLER SHAFT	2-E08	4600	CHANGE CONTROL SYSTEM (AT)			
2-D03	2550	REAR DRIVE SHAFT						
2-E03	2600	REAR AXLE						
2-G03	2610	REAR BRAKE MECHANISMS						
2-J03	2710	REAR DIFFERENTIALS						
2-N03	2800	REAR SUSPENSION MECHANISMS						
2-C04	2801	REAR SPRING & DAMPER						
2-D04	2810	REAR STABILIZER						
2-E04	2830	REAR LOWER ARMS & SUB FRAME						
2-H04	3200	STEERING WHEEL						
2-I04	3210	STEERING COLUMN & SHAFTS						
2-J04	3220	STEERING GEAR						
2-L04	3240	POWER STEERING SYSTEM						
2-M04	3300	FRONT AXLE						
2-N04	3310	FRONT BRAKE MECHANISMS						
2-C05	3400	FRONT SUSPENSION MECHANISMS						
2-E05	3401	FRONT SPRING & DAMPER						
2-F05	3410	CROSSMEMBER & STABILIZER						
2-G05	3700	TIRES & JACK						
2-C06	3900	ENGINE & T/MISSION MOUNTINGS						
2-D06	4000	EXHAUST SYSTEM						
2-G06	4140	CLUTCH RELEASE & MASTER CYLINDERS (MANUAL TRANSMISSION)						
2-I06	4145	CLUTCH PIPINGS (MANUAL TRANSMISSION)						
2-J06	4160	ACCELERATOR CONTROL SYSTEM						
2-K06	4200	FUEL TANK						
2-C07	4210	FUEL LID OPENER						
2-D07	4300	CLUTCH & BRAKE PEDALS (MANUAL TRANSMISSION)						
2-F07	4300A	BRAKE PEDALS (AUTOMATIC TRANSMISSION)						
2-G07	4340	BRAKE MASTER CYLINDER & POWER BRAKE						
2-I07	4360	BRAKE PIPINGS						
2-L07	4370	ANTILOCK BRAKE SYSTEM						
2-N07	4400	PARKING BRAKE SYSTEM						
2-C08	4500	FUEL PIPINGS						

## SECTION NAME INDEX (BODY)

LO.NO	SEC.NO	SECTION NAME	LO.NO	SEC.NO	SECTION NAME	LO.NO	SEC.NO	SECTION NAME
2-C10	0900	KEY SETS	3-C03	5795	AIR BAG	3-E08	6702	WIRING HARNESES(DASHBOARD)
2-E10	5000	FRONT BUMPER	3-D03	5800	FRONT DOORS	3-G08	6703	WIRING HARNESES(DOOR,FLOOR/CEILING)
2-H10	5010	REAR BUMPER	3-G03	5830	FRONT DOOR MECHANISMS	3-H08	6704	WIRING HARNESS CLAMPS
2-J10	5020	HEAD LAMP CLEANER (SUN ROOF)	3-J03	5840	FRONT DOOR TRIMS & RELATED PARTS	3-I08	6720	WINDSHIELD WASHER
2-L10	5030	WINDOW MOULDINGS	3-C04	6100	HEATER	3-K08	6730	WINDSHIELD WIPERS
2-M10	5040	BODY MOULDINGS	3-D04	6110	HEATER UNIT COMPONENTS	3-M08	6740	WIPER MOTOR COMPONENTS(FRONT)
2-N10	5100	HEAD LAMPS	3-E04	6115	HEATER CONTROLS COMPONENTS	3-N08	6750	WINDOW WIPER & WASHER (REAR)
2-D11	5103	HEAD LAMP RETRACTORS	3-F04	6120	HEATER BLOWER COMPONENTS	3-E09	6760	WINDOW WIPER MOTOR COMPONENTS (REAR)
2-F11	5105	FRONT COMBINATION LAMPS	3-G04	6130	AIR CONDITIONER (DENSO MAKE)	3-F09	6800	CEILING TRIMS
2-K11	5110	REAR COMBINATION LAMPS	3-J04	6130A	AIR CONDITIONER (MANA MAKE)	3-G09	6820	PILLAR TRIMS
2-D12	5120	LICENSE LAMPS	3-M04	6135	O RING SET,PIPING	3-H09	6840	TRIMS & SCUFF PLATES
2-E12	5125	INTERIOR LAMPS	3-N04	6140	COMPRESSOR COMPONENTS (AIR CONDITIONER) (DENSO MAKE)	3-L09	6845	STRAGE BOX
2-F12	5130	OVERHEAD CONSOLE	3-D05	6140A	COMPRESSOR COMPONENTS (AIR CONDITIONER) (MANA MAKE)	3-M09	6860	FLOOR MATS & PADS
2-G12	5170	ORNAMENTS	3-F05	6150	COOLING UNIT (AIR CONDITIONER) (DENSO MAKE)	3-D10	6870	SERVICE TOOLS
2-H12	5180	COWL & EXTRACTOR GRILLES	3-G05	6150A	COOLING UNIT (AIR CONDITIONER) (MANA MAKE)	3-E10	6900	VISORS,ASSIST HANDLES & MIRRORS
2-J12	5230	BONNET	3-I05	6230	LIFT GATE MECHANISMS	3-H10	6930	CAUTION PLATES & LABELS
2-L12	5310	FRONT PANELS	3-L05	6300	WINDOW GLASSES	3-J10	7250	QUARTER WINDOW & TRIMS
2-M12	5320	FENDER & WHEEL APRON PANELS	3-M05	6330	SUNROOF	3-L10	7800	SPOILERS & RELATED PARTS
2-D13	5330	DASH & COWL PANELS	3-F06	6600	SWITCHES & RELAYS (ENGINE)			
2-E13	5340	SIDE PANELS	3-J06	6610	DASHBOARD SWITCHES			
2-I13	5360	ROOF PANELS (W/O SUN ROOF)	3-K06	6611	COMBINATION SWITCH			
2-J13	5360 A	ROOF PANELS (SUN ROOF)	3-L06	6615	POWER WINDOW SWITCHES			
2-K13	5370	FLOOR PANELS	3-M06	6630	RELAYS & UNIT (BODY)			
2-M13	5380	FLOOR ATTACHMENTS (HOLE COVERS)	3-C07	6635	DOOR SWITCH & HORNS			
2-C14	5390	FLOOR ATTACHMENTS	3-D07	6640	AUTO CRUISE CONTROL SYSTEM			
2-C15	5500	DASHBOARD EQUIPMENTS	3-E07	6680	AUDIO SYSTEMS (RADIO & TAPE DECK)			
2-D15	5520	METER HOOD	3-G07	6682	AUDIO SYSTEMS (ANTENNA & SPEAKER)			
2-E15	5540	METER COMPONENTS	3-K07	6700	WIRING HARNESES(FRONT & REAR)			
2-G15	5560	DASHBOARD & RELATED PARTS	3-C08	6701	WIRING HARNESES(ENGINE & T/MISSION)			
2-K15	5570	CONSOLE						
2-N15	5580	VENTILATOR						
2-C16	5700	FRONT SEATS						
2-M16	5790	SEAT BELTS						

5795 -1 \* AIR BAG

5795 AIR BAG



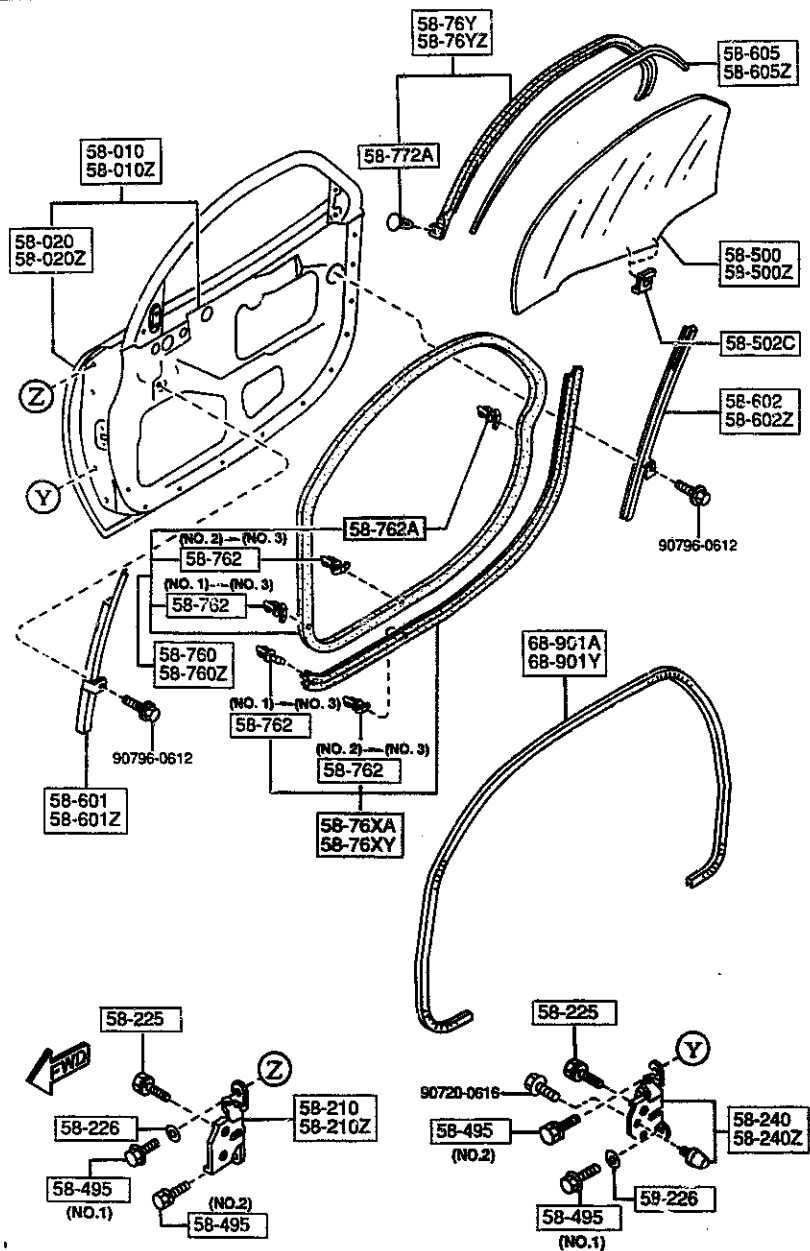
PART NO.	QTY	MODEL/RESTRICTION	MODEL/RESTRICTION	MODEL/RESTRICTION	FROM-TO
57-KX7		BRACKET,AIR BAG			
FDD1-57-KX7	1				
57-K00		MODULE,AIR BAG			
FD15-57-K00	1				
57-K1X		SENSOR,AIR BAG			
FD01-57-K1XD	1				
57-K2X		SENSOR(R),AIR BAG			
FD15-57-K2X	1				
57-K2Y		SENSOR(L),AIR BAG			
FD01-57-K2YC	1				
57-K40		SENSOR,AIR BAG-INNER			
FD01-57-K40A	1				
57-K50		MODULE,AIR BAG PASSENGER			
FD15-57-K7X	1				
57-K91		LABEL 'A',CAUTION-A/B			
KA7B-57-K91	1				
57-K95A		CLIP,AIR BAG			
FD01-57-K95	1				
57-K96		CLIP			
FD01-57-K96	1				
57-K98		NUT			
FC66-57-K98	2				
57-K99		SCREW,TAPPING			
FC66-57-K99	6				

AUFA05

CAT. AUFA05-03

1995-03

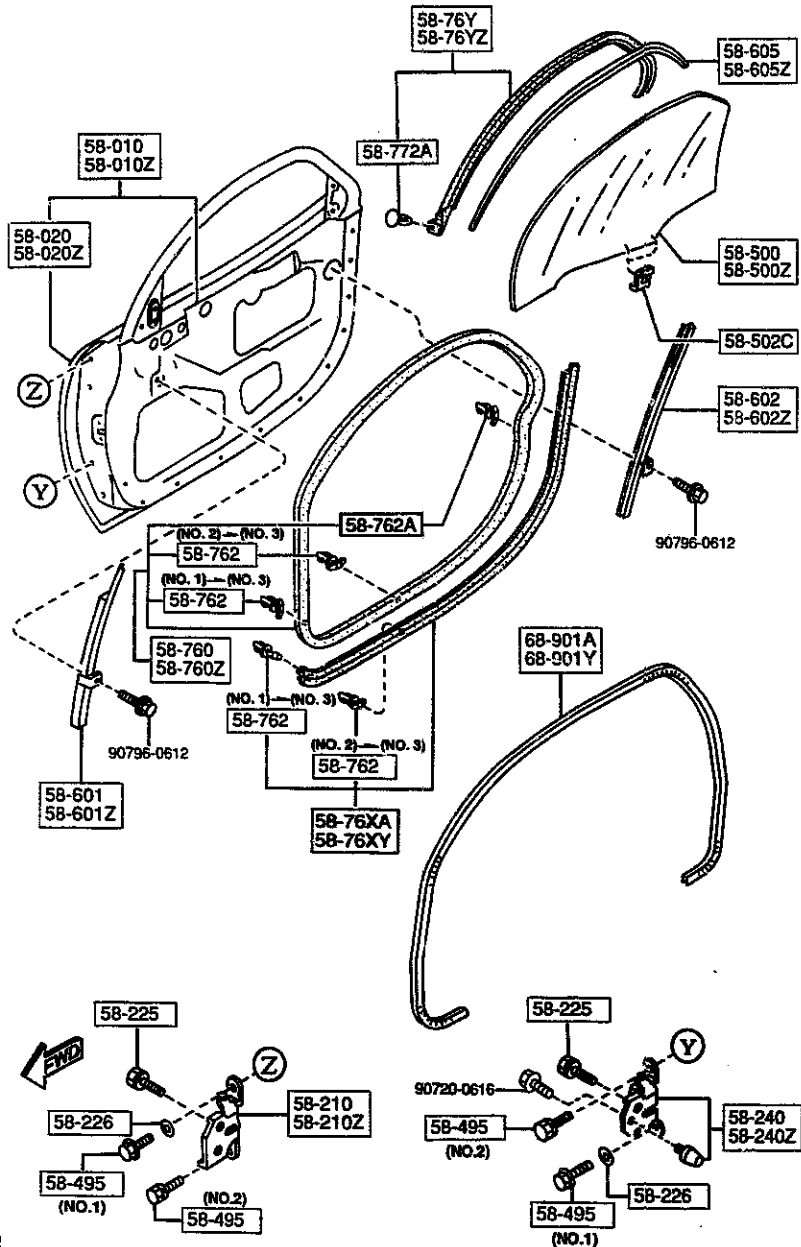
5800 FRONT DOORS



PART NO.	QTY	MODEL/RESTRICTION	MODEL/RESTRICTION	MODEL/RESTRICTION	FRONT
58-010	1	BODY(R), FRONT DOOR			-3902
FD15-58-020B A (FD15-58-020C)	1				3902-
FD15-58-020C	1				
58-010Z	1	BODY(L), FRONT DOOR			-3902
FD15-59-020B A (FD15-59-020C)	1				3902-
FD15-59-020C	1				
58-020	1	PANEL(R), OUT.-FRT DOOR			
FD01-58-030B	1				
58-020Z	1	PANEL(L), OUT.-FRT DOOR			
FD01-59-030B	1				
58-210	1	HINGE(R), DOOR-UPPER			
FD01-58-210A	1				
58-210Z	1	HINGE(L), DOOR-UPPER			
FD01-59-210A	1				
58-225	8	BOLT, SETTING-HINGE LOWER			
BA55-58-225					
58-226	4	WASHER, SETTING			
6J21-58-226					
58-240	1	HINGE(R), DOOR-LOWER			
FD01-58-240B	1				
58-240Z	1	HINGE(L), DOOR-LOWER			
FD01-59-240B	1				
58-495	4	BOLT, SET			
BA54-58-225	4	(ILLUST. NO.1)			
5085-58-225	4	(ILLUST. NO.2)			
58-500	1	GLASS(R), DOOR-FRT			-3B12
FD15-58-511 AN(FD15-58-511A)	1				
3902 FD333*-300440 3B12 FD333*-301294					

5800 FRONT DOORS

5800 -2 FRONT DOORS



PART NO.	QTY	MODEL/RESTRICTION	MODEL/RESTRICTION	MODEL/RESTRICTION	FROM-TO
CONT'D					
FD15-58-511A	1				3B12-
58-500Z		GLASS(L), DOOR-FRT			
FD15-59-511 AN(FD15-59-511A)	1				-3B12
FD15-59-511A	1				3B12-
58-502C		GROMMET, SCREW			
S084-58-502	4				
58-601		GUIDE'A'(R), GLASS			
FD01-58-601B	1				
58-601Z		GUIDE'A'(L), GLASS			
FD01-59-601B	1				
58-602		GUIDE'B'(R), GLASS			
FD01-58-603A	1				
58-602Z		GUIDE'B'(L), GLASS			
FD01-59-603A	1				
58-605		CHANNEL(R), GLASS			
FD01-58-605E	1				
58-605Z		CHANNEL(L), GLASS			
FD01-59-605E	1				
58-76XA		WEATHERSTRIP(R), DOOR-LDW.			
*FD01-58-76XA	1				
58-76XY		WEATHERSTRIP(L), DOOR-LDW.			
FD01-59-76XA	1				
58-76Y		WTHSTP(R), GLASS-F. D OOR			
FD01-58-76YC AN(FD01-58-76YD)	1				-3A20
FD01-58-76YD AN(FD01-58-76YE)	1				3A20-3C13
FD01-58-76YE AN(FD01-58-76YF)	1				3C13-4310
*FD01-58-76YF	1				4310-
3A20	FD333*-301093				
3B12	FD333*-301294				
3C13	FD333*-301585				
4310	FD333*-302928				

AUFA05

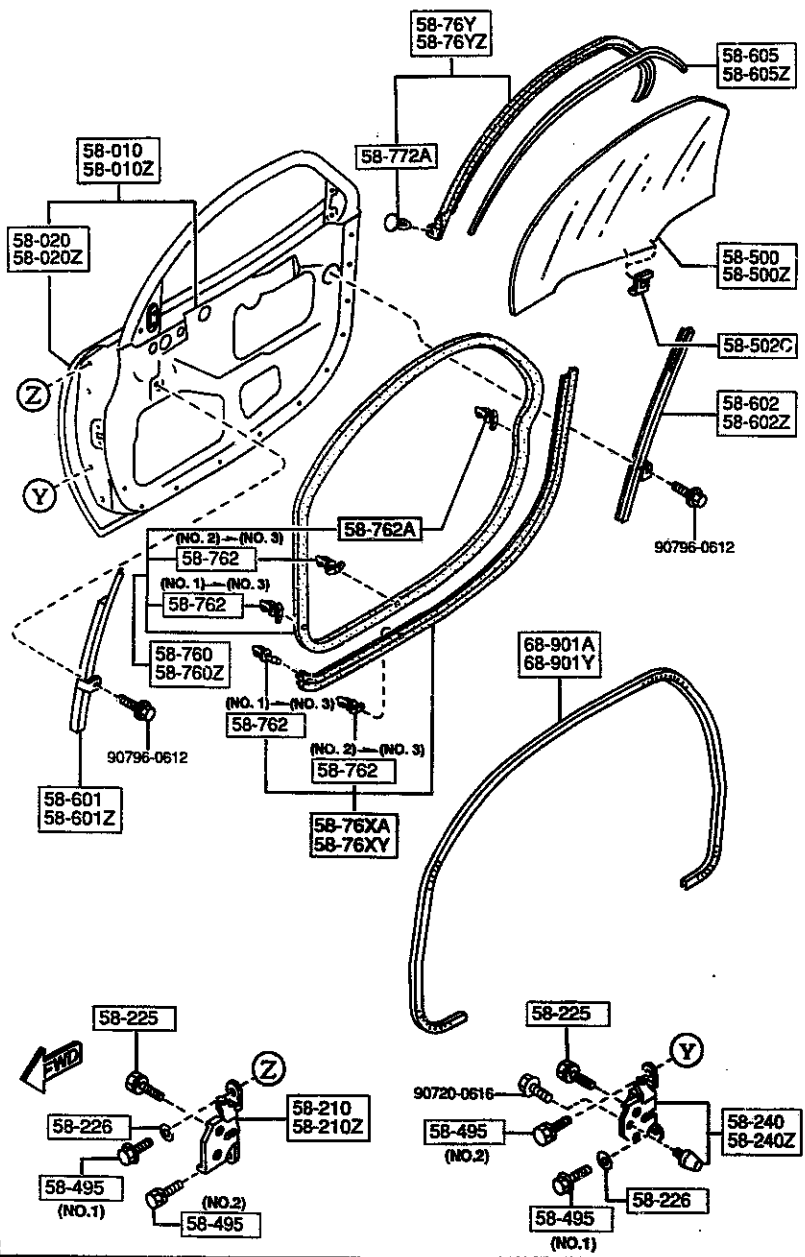
-256-

CAT. AUFA05-03

1995-03

5800 FRONT DOORS

5800 -3 \* FRONT DOORS



PART NO.	QTY	MODEL/RESTRICTION	MODEL/RESTRICTION	MODEL/RESTRICTION	FROM-TO
58-76YZ	1	WTHSTP(L), GLASS-F. DOOR			-3A20
FD01-59-76YC AN(FD01-59-76YD)	1				3A20-3C13
FD01-59-76YD AN(FD01-59-76YE)	1				3C13-4310
FD01-59-76YE AN(FD01-59-76YF)	1				4310-
*FD01-59-76YF	1				
58-760	1	WEATHERSTRIP(R), DOOR			
FD01-58-760D	1				
58-760Z	1	WEATHERSTRIP(L), DOOR			
FD01-59-760D	1				
58-762	14	FASTENER			-3A01
GA2A-58-762	40	(ILLUST. NO.1)			-3A01
603I-58-762	52	(ILLUST. NO.2)			3A01-
BC1D-58-762	4	(ILLUST. NO.3)			
58-762A	4	FASTENER			
FD01-58-762	2				
58-772A	1	FASTENER			
1011-58-772	1				
68-901A	1	WELT(R), SEAMING			
FD01-68-911A	1				
02	INT-	FE5 FE6 FE7 BLACK			
68-901Y	1	WELT(L), SEAMING			
FD01-68-912A	1				
02	INT-	FE5 FE6 FE7 BLACK			
3A01 FD333*-300888 3A20 FD333*-301093 3C13 FD333*-301585 4310 FD333*-302928					

AUFA05

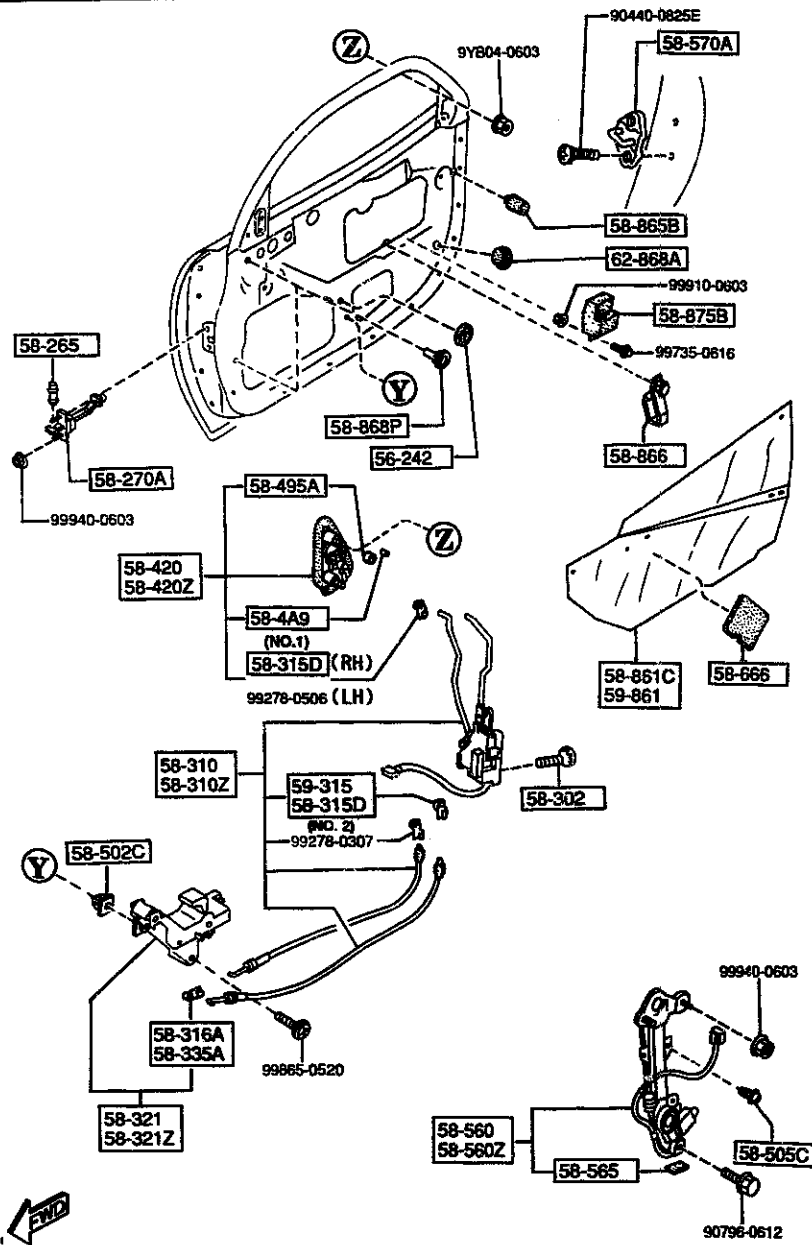
-256-

CAT. AUFA05-03

1995-03



5830 FRONT DOOR MECHANISMS



PART NO.	QTY	MODEL/RESTRICTION	MODEL/RESTRICTION	MODEL/RESTRICTION	FROM-TO
56-242		PLUG, DRAIN			
0118-56-242B	2				
58-265		PIN, CHECKER			
BC1D-58-265	2				
58-270A		CHECKER, DOOR			
FD01-58-270B	2				
58-302		SCREW, TAPPING-DOOR LOCK			
GA5R-58-302A	6				
58-310		LOCK(R), DOOR			
FD15-58-310	1				
58-310Z		LOCK(L), DOOR			
FD15-59-310	1				
58-315D		CLIP (R)			
FD01-58-315	1 (ILLUST. NO.1)				
6050-58-315	1 (ILLUST. NO.2) (FOR LEFT)				
58-316A		CLIP			
B001-59-335	2 (FOR RIGHT)				
58-321		HANDLE(R), INNER			
FD01-58-330C	1				
00	INT-	FE5 FE6 FE7 BLACK			
58-321Z		HANDLE(L), INNER			
FD01-59-330C	1				
00	INT-	FE5 FE6 FE7 BLACK			
58-335A		CLIP			
*FR01-58-335	2				
58-4A9		PLUG, OUTER HANDLE			
H030-58-4A9	1				

AUFA05

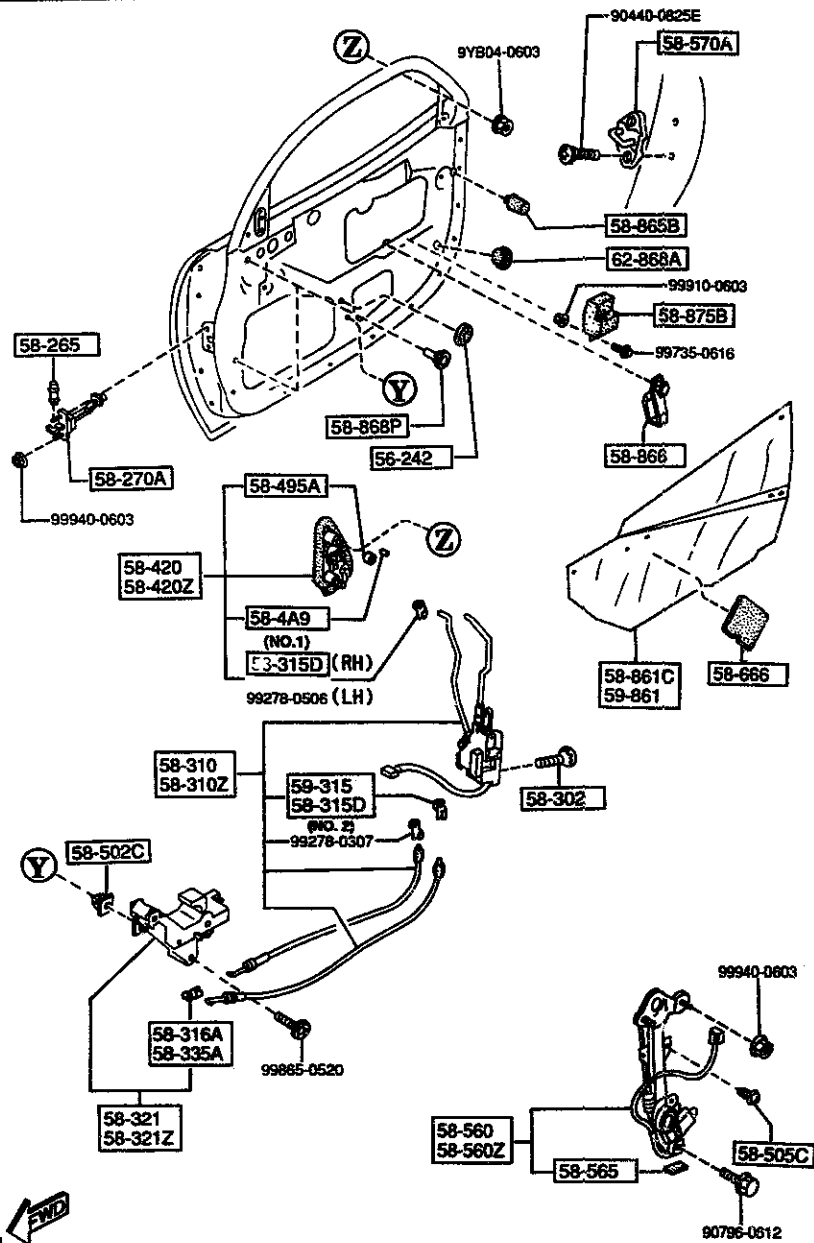
-239-

CAT. AUFA05-03

1995-03

5830 -2 FRONT DOOR MECHANISMS

5830 FRONT DOOR MECHANISMS



PART NO.	QTY	MODEL/RESTRICTION	MODEL/RESTRICTION	MODEL/RESTRICTION	FROM TO
58-420		HANDLE(R), OUT.			
FD15-58-410B A (FD15-58-410C)	1				-4110
FD15-58-410C	1				4110-
58-420Z		HANDLE(L), OUT.			
FD15-59-410B A (FD15-59-410C)	1				-4110
FD15-59-410C	1				4110-
58-495A		RETAINER, LOCK CYL.			
J001-58-495	2				
58-502C		GROMMET, SCREW			
FD01-58-332	10				
58-505C		SCREW, WINDOW REGULAT OR			
B092-58-505	4				
58-560		REGULATOR(R), WINDOW			
FD15-58-560B	1				
58-560Z		REGULATOR(L), WINDOW			
FD15-59-560B	1				
58-565		RUBBER, STOPPER			
6A7C-58-565	2				
58-570A		STRIKER			
FD01-58-361	2				
58-666		SHEET			
B092-58-862	5				
58-861C		SCREEN(R), FRONT DOOR			
FD15-58-861	1				
58-865B		CUSHION, RUBBER			
8067-58-873	2				
58-866		CLIP			
4110 FB333*-301814					

AUFA05

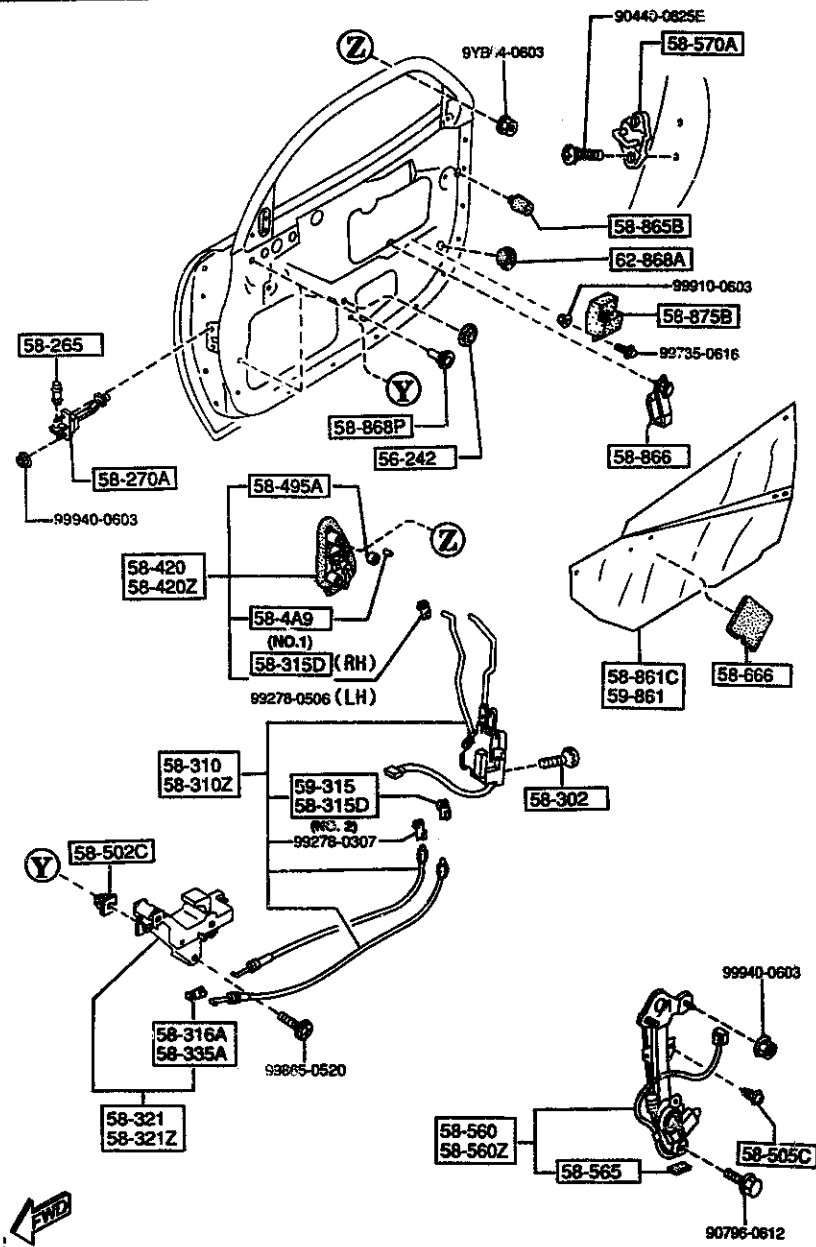
-299-

CAT. AUFA05-03

1995-03

5830 -3 \* FRONT DOOR MECHANISMS

5830 FRONT DOOR MECHANISMS



PART NO.	QTY	MODEL/RESTRICTION	MODEL/RESTRICTION	MODEL/RESTRICTION	FROM-TO
CONT'D 8038-58-866	4				
58-868P		COVER, HOLE-DOOR BODY			
FD01-58-868	4				
58-875B		PAD			
FR15-58-875B A (FD15-58-875D)	2				-3B02
FD15-58-875D A (FD15-58-875E)	2				3B02-4107
FD15-58-875E	2				4107-
59-315		CLIP			
6030-59-315	1	(FOR RIGHT)			
59-861		SCREEN(L), FRONT DOOR			
FD15-59-861	1				
62-868A		COVER, HOLE-LIFT GATE			
8499-62-868	2				
3B02 FD333*-301137					
4107 FD333*-301775					

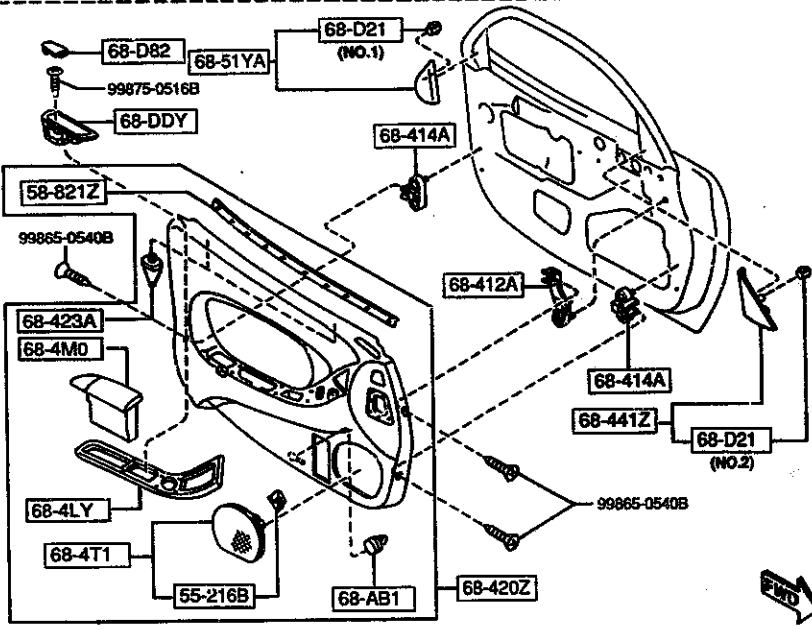
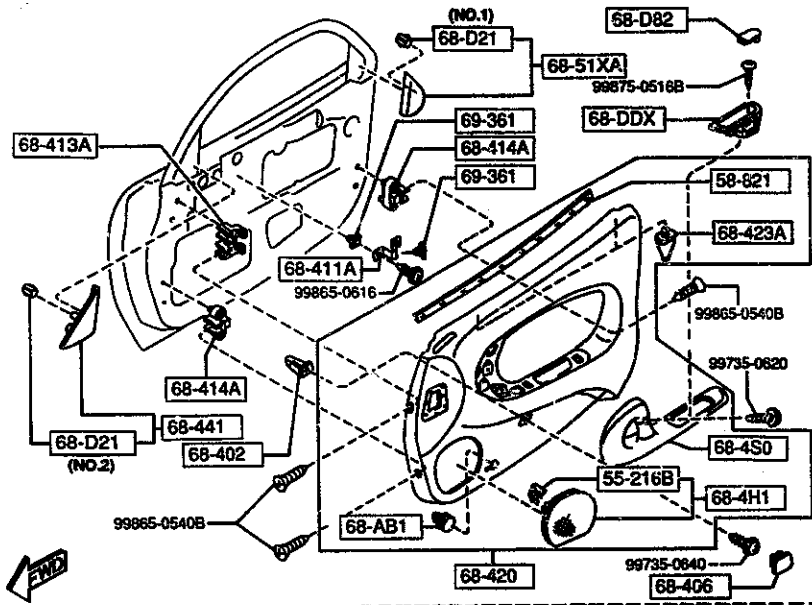
AUFA05

-258-

CAT. AUFA05-03

1995-03

5840 FRONT DOOR TRIMS & RELATED PARTS



PART NO.	QTY	MODEL/RESTRICTION	MODEL/RESTRICTION	MODEL/RESTRICTION	FROM-TO
55-216B		SPRING,CENTER PANEL			
8092-55-257	4				
58-821		WEATHERSTRIP(R),INN.			
FD01-58-821	1				
58-821Z		WEATHERSTRIP(L),INN.			
FD01-59-821	1				
48-AB1		FASTENER			
6350-48-AB1	6				
68-DDX		PANEL(R),RECESS			
FD01-68-DDXE	1				
00	INT-	FE5 FE6 FE7 BLACK			
68-DDY		PANEL(L),RECESS			
FD01-68-DDYE	1				
00	INT-	FE5 FE6 FE7 BLACK			
68-D21		CLIP,TRIM			
FD01-68-D21	4	(ILLUST. NO.1)			
LA10-68-D21	2	(ILLUST. NO.2)			
68-D82		CAP,ASSIST-DOOR TRIM			
FD01-68-D82A	2				
00	INT-	FE5 FE6 FE7 BLACK			
68-4H1		GRILLE(R),SPEAKER			
FD01-68-4H0A A (FD01-68-4H0B)	1				-3901
02	INT-	FE5 FE6 FE7 BLACK			
FD01-68-4H0B	1				3901-
02	INT-	FE5 FE6 FE7 BLACK			
68-4LY		PANEL(L),SWITCH			
FD15-68-4LY	1				
00	INT-	FE6 FE7 FE5 BLACK			
3901 FD333*-300438					

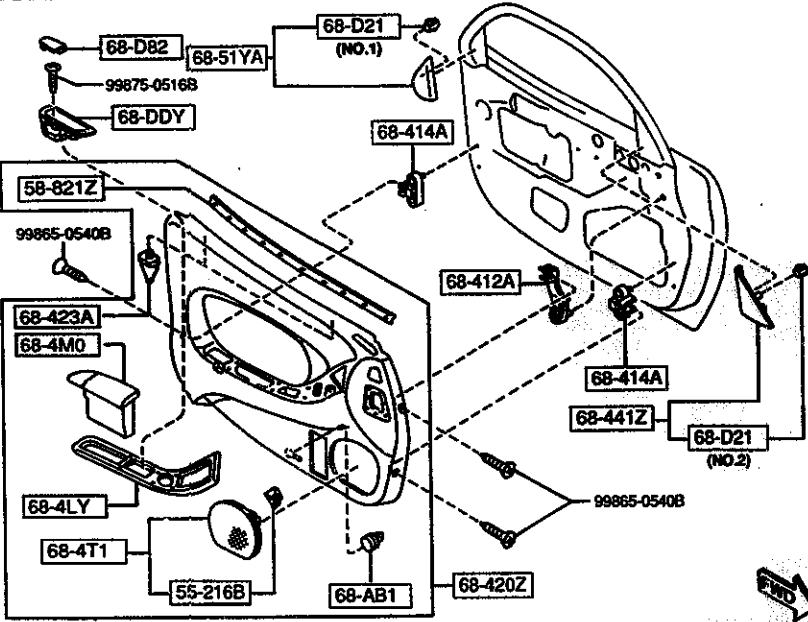
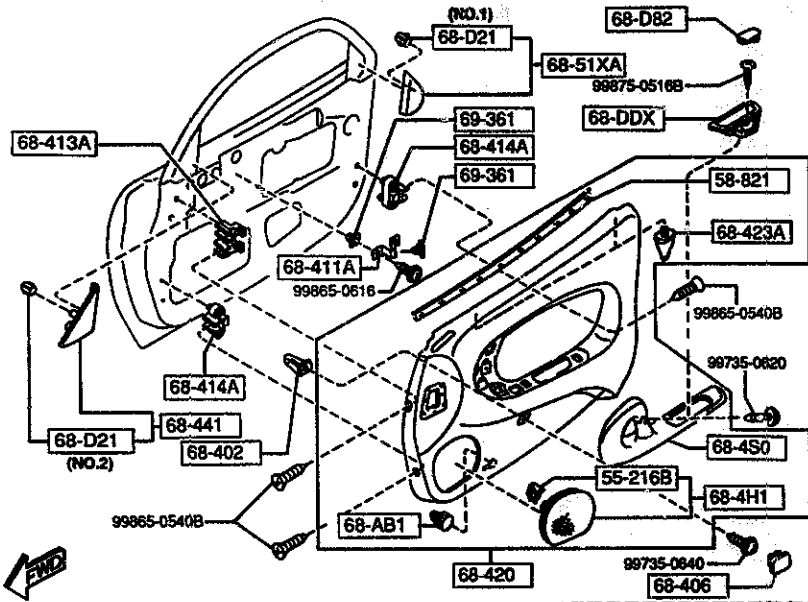
AUFA05

CAT. AUFA05-03

1995-03

5840 -2 FRONT DOOR TRIMS & RELATED PARTS

5840 FRONT DOOR TRIMS & RELATED PARTS



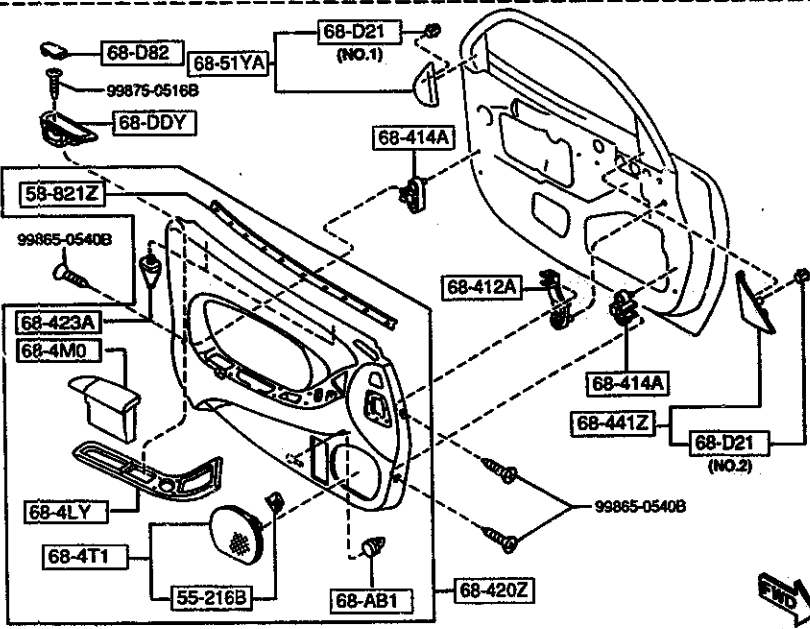
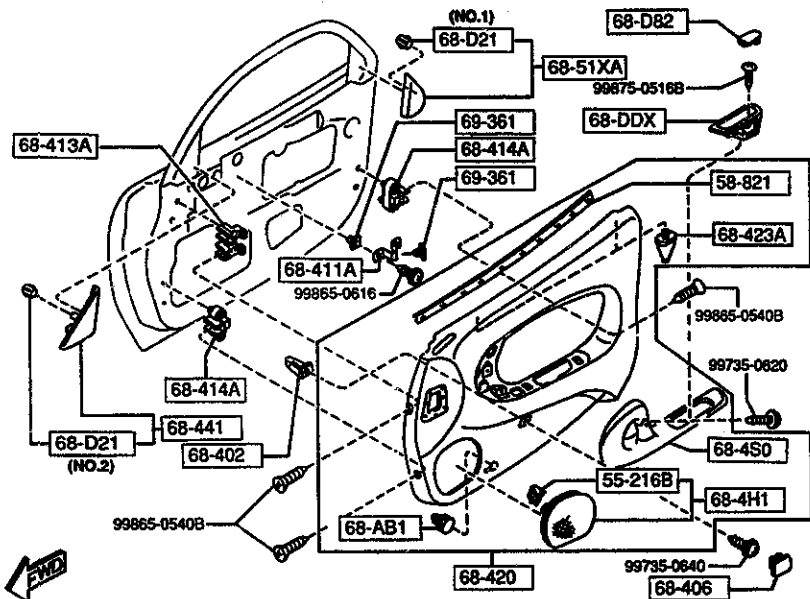
PART NO.	QTY	MODEL/RESTRICTION	MODEL/RESTRICTION	MODEL/RESTRICTION	FROM-TO
68-4M0		LID(L), ARM REST-TRIM			
FD15-68-4M0	1				-3901
00	INT-	FE5 FE6 FE7 BLACK			3901-3C03
FD15-68-4M0A	1				3C03-
00	INT-	FE5 FE6 FE7 BLACK			
FD15-68-4M0B	1				
00	INT-	FE5 FE6 FE7 BLACK			
68-4S0		GRIP, FRT ASSIST			
FD15-69-44X	1				
00	INT-	FE5 FE6 FE7 BLACK			
68-4T1		GRILLE(L), SPEAKER			
FD01-68-4M0 A (FD01-68-4M0B)	1				-3901
02	INT-	FE5 FE6 FE7 BLACK			3901-
FD01-68-4M0B	1				
02	INT-	FE5 FE6 FE7 BLACK			
68-402		GROMMET, SCREW			
H380-68-402	2				
68-406		CAP, DOOR TRIM			
FD01-68-406	1				
02	INT-	FE5 FE6 FE7 BLACK			
68-411A		BRACKET, TRIM			
FD01-68-411	1				
68-412A		BRACKET, TRIM			
FD01-68-412A	1				
68-413A		BRACKET, TRIM			
FD01-68-413A A (FD01-68-413B)	1				-3C10
FD01-68-413B	1				3C10-
68-414A		BRACKET, TRIM			
FD01-68-414A	4				
3901 FD333*-300438 3C03 FD333*-301492 3C10 FD333*-301568					

AUFA05

CAT. AUFA05-03

1995-03

5840 FRONT DOOR TRIMS & RELATED PARTS



5840 -3 FRONT DOOR TRIMS & RELATED PARTS

PART NO.	QTY	MODEL/RESTRICTION	MODEL/RESTRICTION	MODEL/RESTRICTION	FROM-TO
68-420		TRIM(R), DOOR			
FD15-68-420E	1				-3901
A (FD15-68-420G)					
02	INT-	FE5 FE6 FE7 BLACK			
FD15-68-420G	1				3901-4207
02	INT-	FE5 FE6 FE7 BLACK			
FD15-68-420H	1				4207-4404
02	INT-	FE5 FE6 FE7 BLACK			
*FD15-68-420J	1				4404-
* 02	INT-	FE5 FE6 FE7 BLACK			
68-420Z		TRIM(L), DOOR			
FD15-68-450E	1				-3901
A (FD15-68-450G)					
02	INT-	FE5 FE6 FE7 BLACK			
FD15-68-450G	1				3901-3C03
02	INT-	FE5 FE6 FE7 BLACK			
FD15-68-450H	1				3C03-4404
02	INT-	FE5 FE6 FE7 BLACK			
*FD15-68-450J	1				4404-
* 02	INT-	FE5 FE6 FE7 BLACK			
68-423A		PIN, LOCATOR			
FD01-68-423	4				-4404
AN(FD01-68-423A)					
*FD01-68-423A	4				4404-
68-441		GARNISH(R), DOOR			
FD01-68-DJXC	1				
68-441Z		GARNISH(L), DOOR			
FD01-68-DJYC	1				
68-51XA		GARNISH(R), SAIL-INN.			
FD01-68-51XD	1				
68-51YA		GARNISH(L), SAIL-INN.			
FD01-68-51YD	1				
3901	FD333*-300438				
3C03	FD333*-301492				
4207	FD333*-302357				
4404	FD333*-303323				

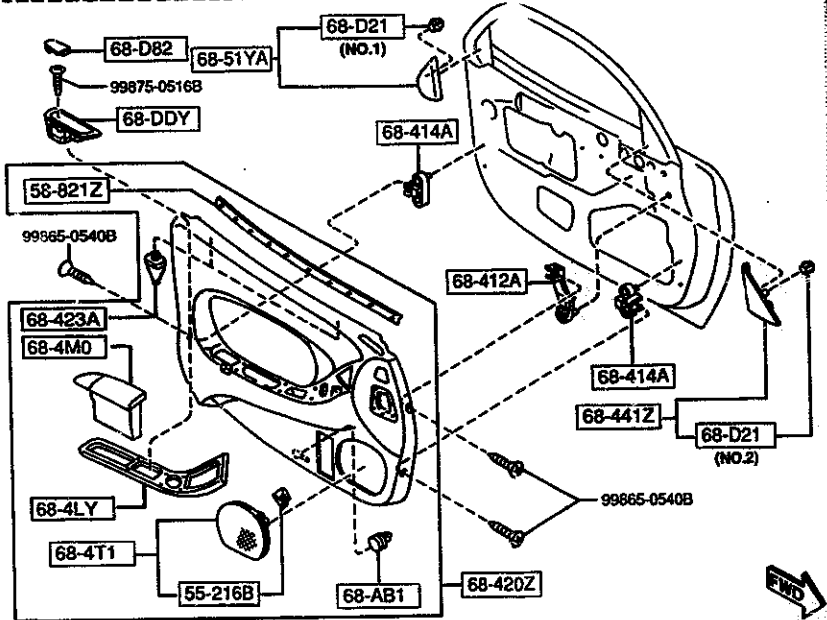
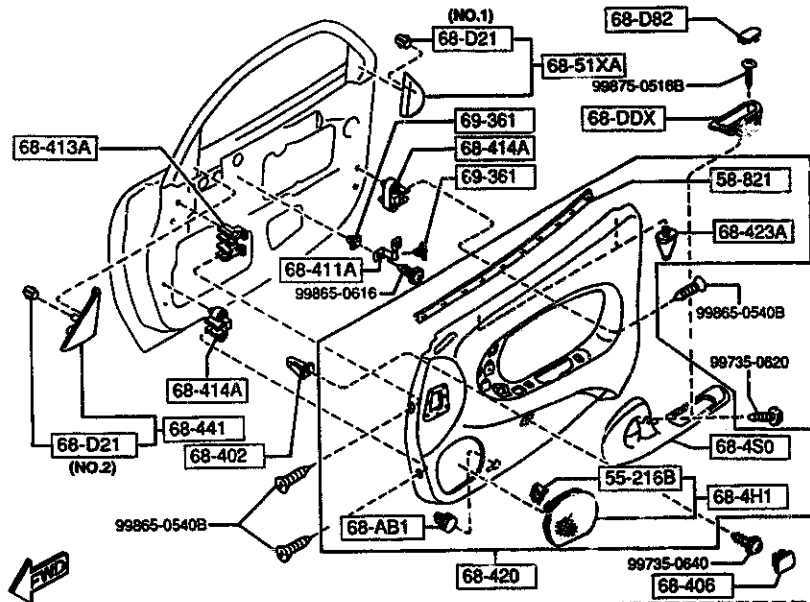
AUFA05

CAT. AUFA05-03

1995-03

5840 -4 \* FRONT DOOR TRIMS & RELATED PARTS

5840 FRONT DOOR TRIMS & RELATED PARTS



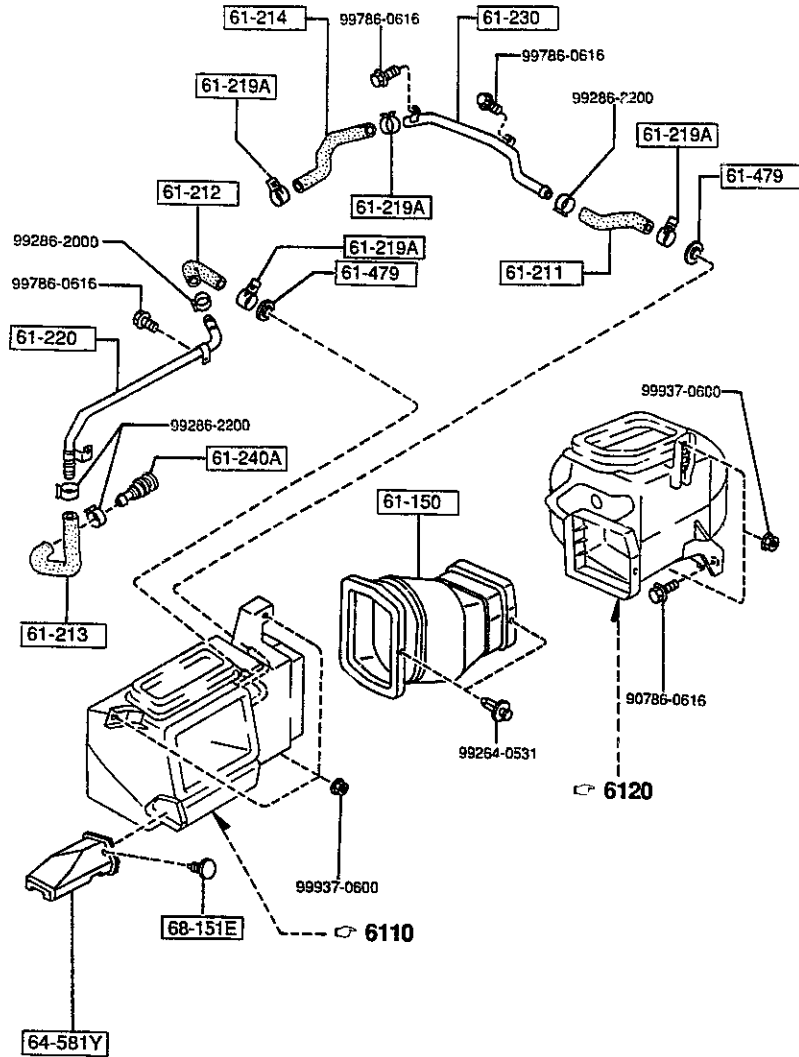
PART NO.	QTY	MODEL/RESTRICTION	MODEL/RESTRICTION	MODEL/RESTRICTION	FROM-TO
69-361	3	GROMMET, SCREW			
8316-69-361					

AUFA05

CAT. AUFA05-03

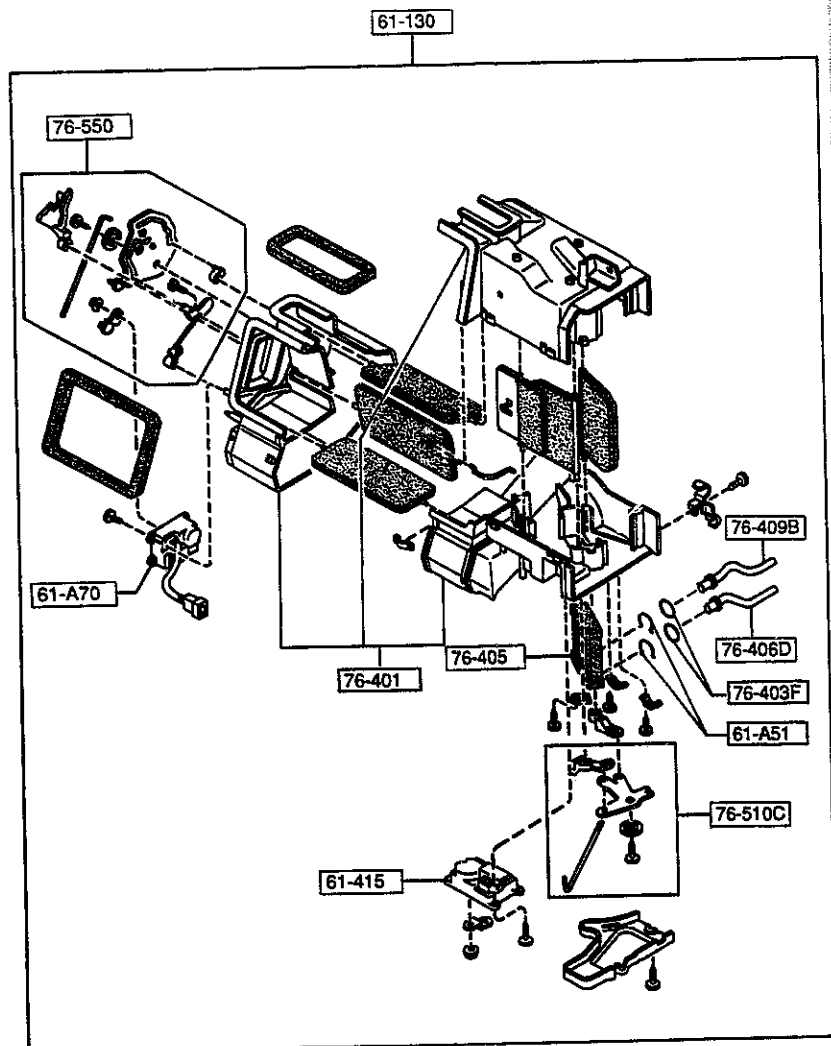
1995-03

3-M 3



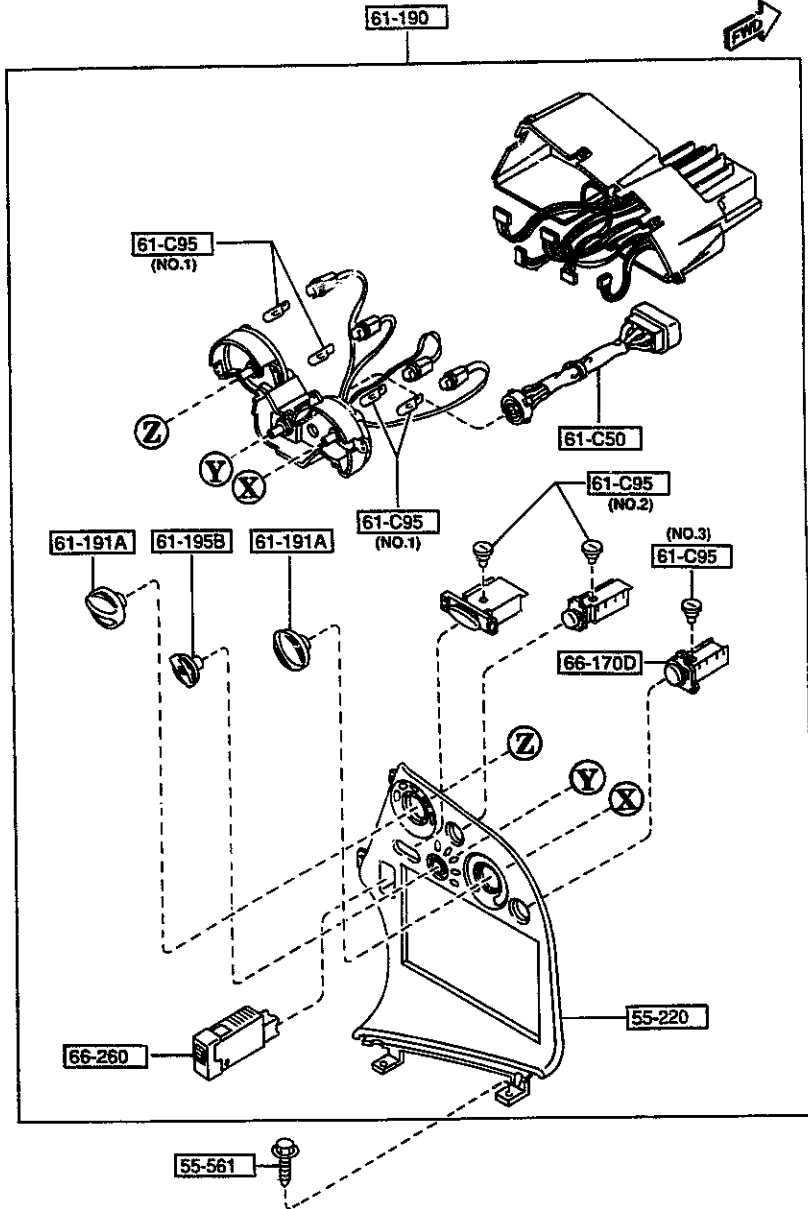
PART NO.	QTY	MODEL/RESTRICTION	MODEL/RESTRICTION	MODEL/RESTRICTION	FROM-TO
61-150		DUCT, AIR			
FD01-61-150B	1	(W/O AIR CON.)			
61-211		HOSE NO.1, WATER			
FD01-61-211A	1				
61-212		HOSE NO.2, WATER			
FD01-61-212A	1				
61-213		HOSE NO.3, WATER			
FD01-61-213B	1				
61-214		HOSE NO.4, WATER			
FD01-61-214B	1				
61-219A		CLAMP, HOSE			
H266-61-242	4				
61-220		PIPE, HEATER			
FD01-61-220	1				
61-230		PIPE, HEATER			
FD01-61-230	1				
61-240A		CONNECTOR, WATER HOSE			
B455-61-240A	1				
61-479		GROMMET			
B871-61-219A	2				
64-581Y		DUCT(L), SHOWER			
FD01-61-156A	1				
68-151E		CLIP			
B102-68-865	1				





PART NO.	QTY	MODEL/RESTRICTION	MODEL/RESTRICTION	MODEL/RESTRICTION	FROM-TO
61-A51		CLIP, HEATER UNIT			
FD01-61-A18	2				
61-A70		ACTUATOR, MODE-HEATER UNIT			
FD01-61-A70	1				
61-130		HEATER UNIT			
FD01-61-130B	1				
61-415		ACTUATOR, TEMP			
FD01-61-A60	1				
76-401		CASE, HEATER			
FD01-61-A80	1				
76-403F		RING, 'O'			
FD01-61-A19	2				
76-405		CORE, HEATER			
FD01-61-A10	1				
76-406D		PIPE, HEATER UNIT			
FD01-61-A15A	1				
76-409B		PIPE, HEATER UNIT			
FD01-61-A16A	1				
76-510C		LINK SET, TEMP			
FD01-61-A20	1				
76-550		LINK SET, MODE			
FD01-61-A30	1				

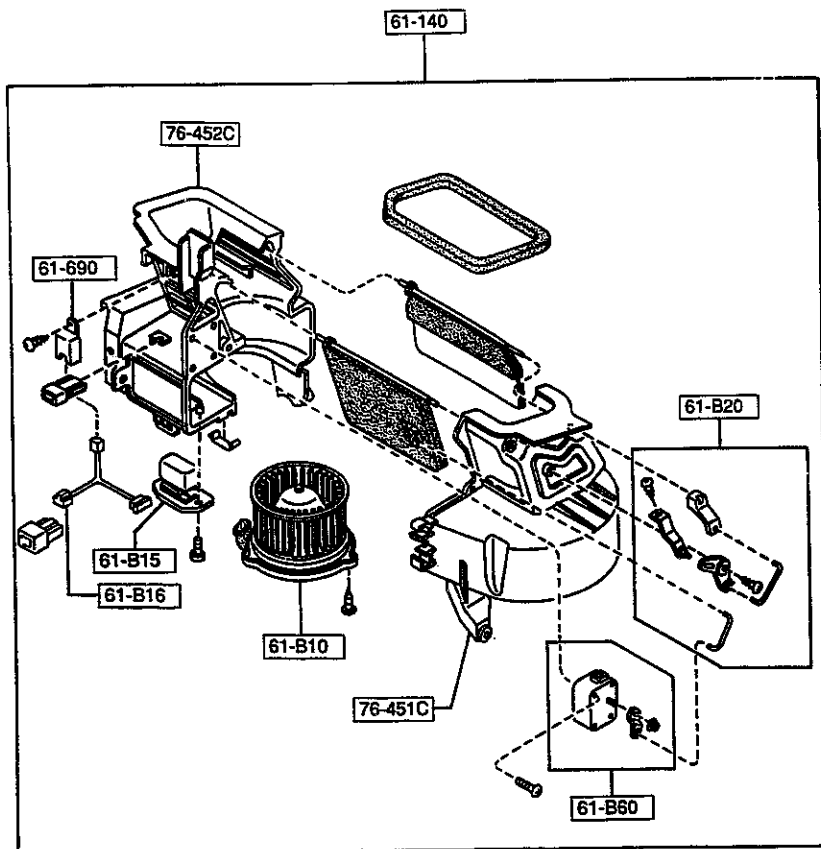
6115 HEATER CONTROLS COMPONENTS



PART NO.	QTY	MODEL/RESTRICTION	MODEL/RESTRICTION	MODEL/RESTRICTION	FROM-TO
55-220		PANEL,CENTER			4106-
FD15-55-21X	1				
55-561		BOLT,INST. PANEL			
B455-55-561	4				
61-C50		SWITCH,FAN-HEATER CO NTROL			
FD01-61-C50	1				
61-C95		BULB,MODE CONTROL			
FD01-61-C95	4	(ILLUST. NO.1)			
FD02-61-C95	2	(ILLUST. NO.2)			
FD03-61-C95	1	(ILLUST. NO.3)			
61-190		CONTROL,HEATER			-4106
FD15-61-19Z	1				
00	INT-	FE5 FE6 FE7 BLACK			
FD15-61-19ZA	1				4106-
00	INT-	FE5 FE6 FE7 BLACK			
61-191A		KNOB ND.1			
FD01-61-191	2				
61-195B		KNOB,FAN SWITCH			
FD01-61-195	1				
66-170D		SWITCH,HAZARD			
FD01-66-4HD	1				
66-260		RESISTOR			
FD01-55-490A	1				
4106 FD333*-301753					

6120 -1 \* HEATER BLOWER COMPONENTS

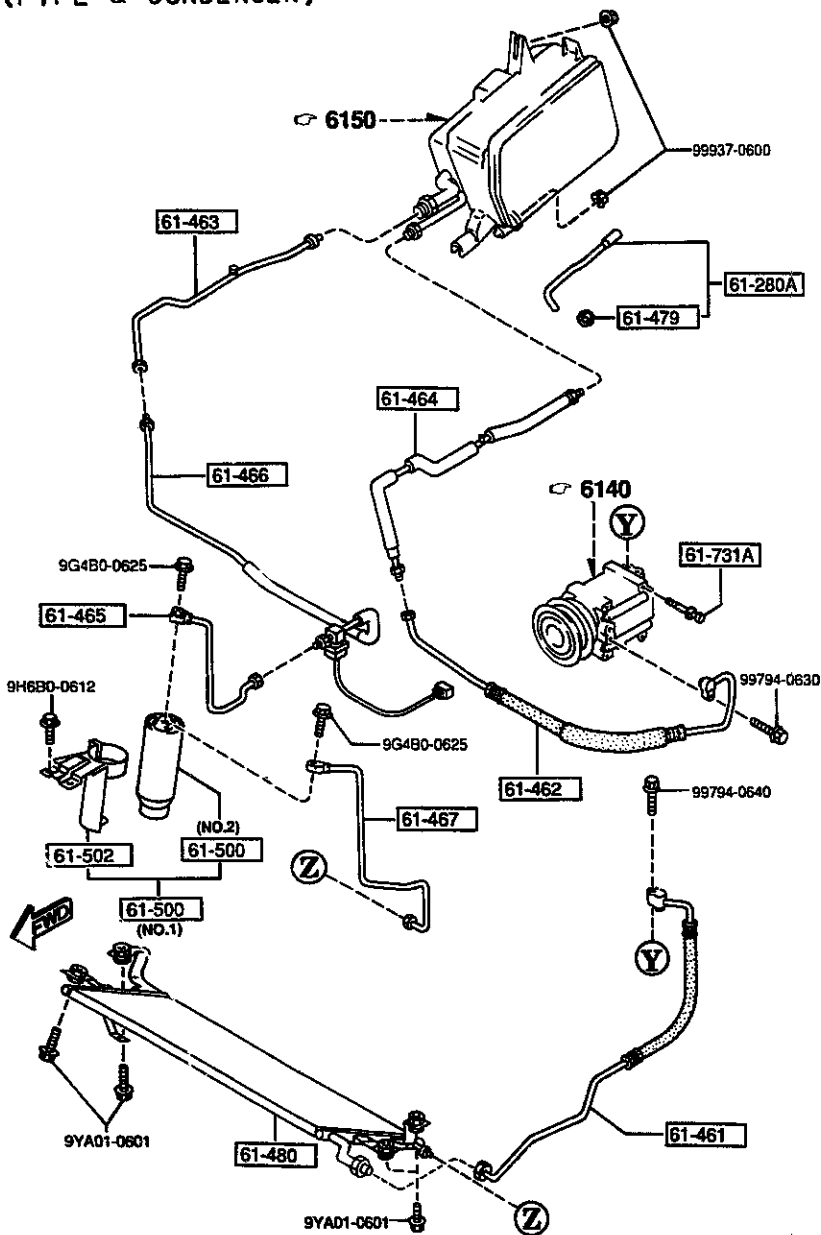
6120 HEATER BLOWER COMPONENTS



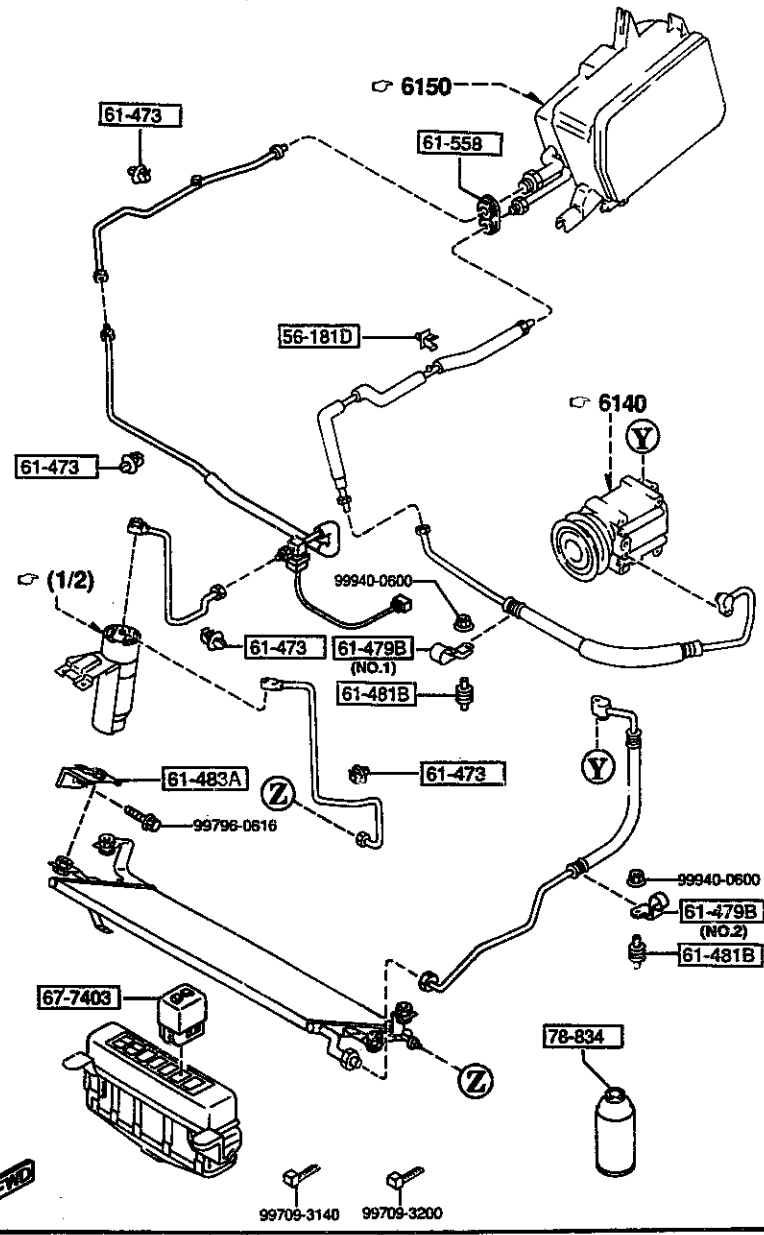
PART NO.	QTY	MODEL/RESTRICTION	MODEL/RESTRICTION	MODEL, RESTRICTION	FROM-TO
61-B10		MOTOR, FAN-BLOWER UNIT			
FD01-61-B10	1				
61-B15		RESISTOR, BLOWER UNIT			
D061-61-B15	1				
61-B16		HARNESS, BLOWER UNIT			
FDD1-61-B16A	1				
61-B20		LINK, RECYCLE & FRESH			
FD01-61-B20	1				
61-B60		ACTUATOR, RECYCLE & FRESH			
FD01-61-B60	1				
61-140		BLOWER UNIT			
FD01-61-140B	1				
61-690		RELAY			
FB03-61-691	1	W/IG. RELAY BLOWER			
76-451C		CASE(R), BLOWER			
FD01-61-B01	1				
76-452C		CASE(L), BLOWER			
FD01-61-B02	1				

(PIPE & CONDENSER)

(CLIP&BRACKET)

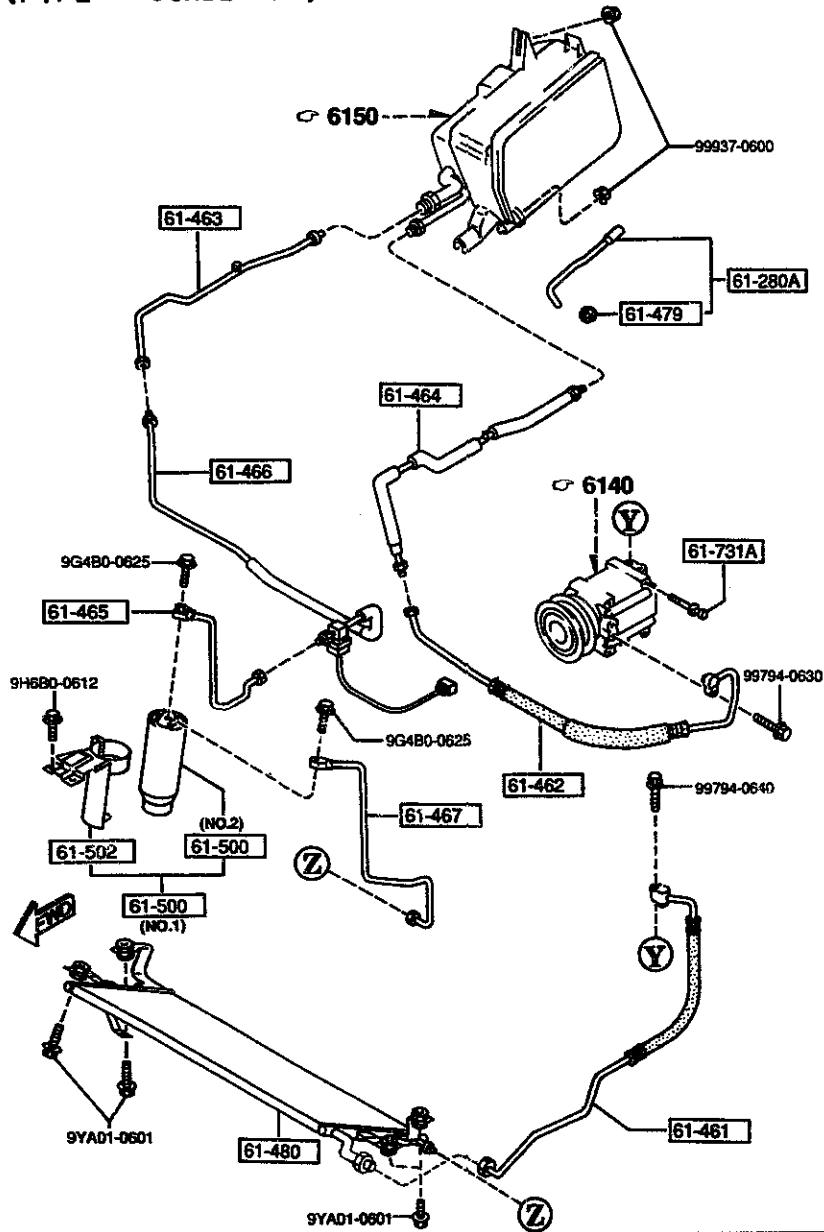


AUFA05



AUFA05

(PIPE & CONDENSER)



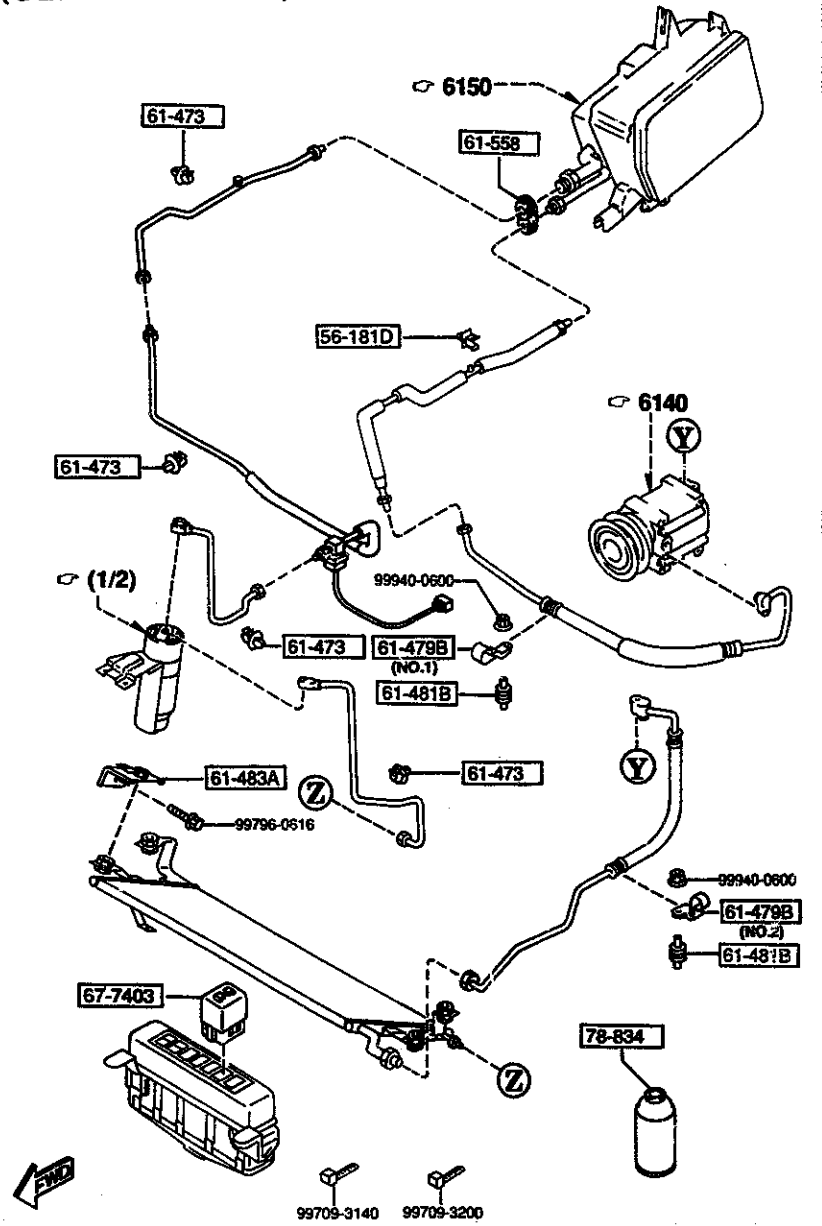
PART NO.	QTY	MODEL/RESTRICTION	MODEL/RESTRICTION	MODEL/RESTRICTION	FROM-TO
56-181D		CLIP			
S083-56-181	1				
61-280A		HOSE, DRAIN			
FD15-61-280	1				
61-461		HOSE, FLEXIBLE-HIGH			
FD15-61-461	1				
61-462		HOSE, FLEXIBLE-LOW			
FD15-61-462	1				
61-463		PIPE NO.1, COOLER			
FD15-61-464	1				
61-464		PIPE NO.2, COOLER			
FD15-61-465 A (FD15-61-465A)	1				-3809
FD15-61-465A	1				3809-
61-465		PIPE NO.3, COOLER			
FD15-61-466	1				
61-466		PIPE NO.4, COOLER			
FD15-61-467A	1				
61-467		PIPE NO.5, COOLER			
FD15-61-468	1				
61-473		CLIP, PIPE			
FD01-61-475	4				
61-479		GROMMET			
FB01-61-478A	1				
61-479B		CLIP			
FD04-61-479A	1	(ILLUST. NO.1)			
FD05-61-479	1	(ILLUST. NO.2)			
61-480		CONDENSER			
FD15-61-480	1				-3802
3802 FD333*-301137					
3809 FD333*-301234					

6130 AIR CONDITIONER  
(DENSO MAKE)

(2/2)

6130 -2 \* AIR CONDITIONER  
(DENSO MAKE)

(CLIP&BRACKET)

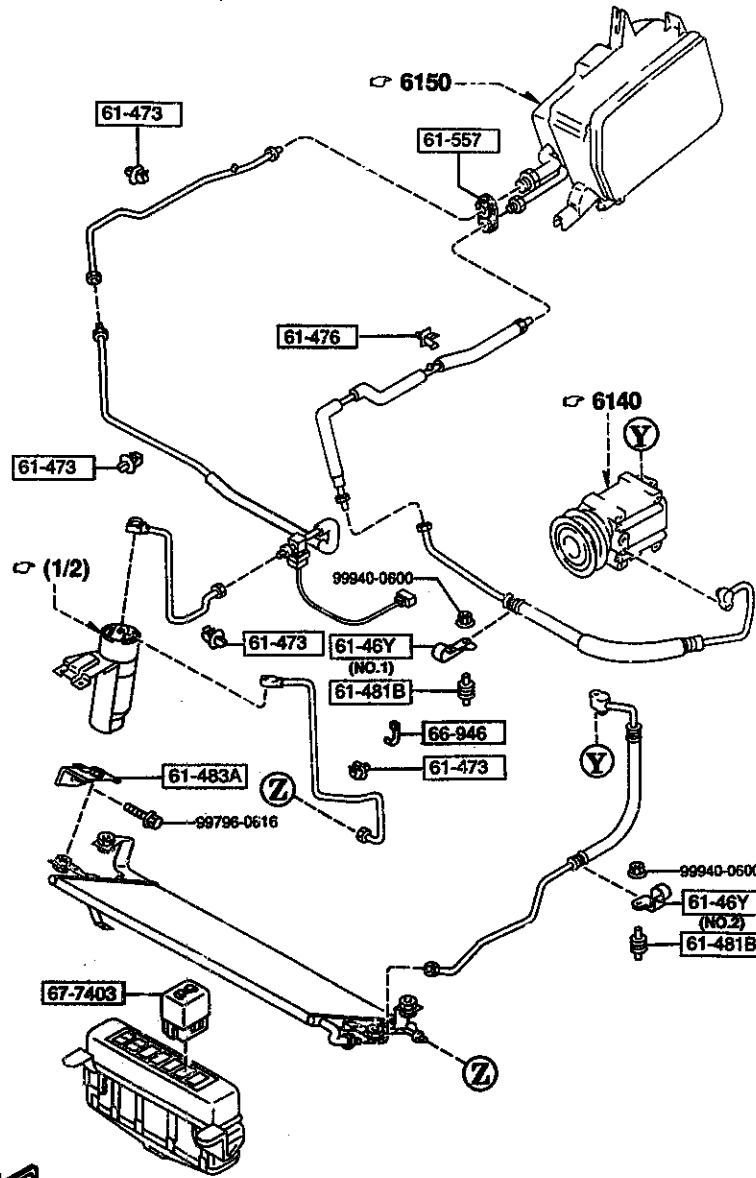
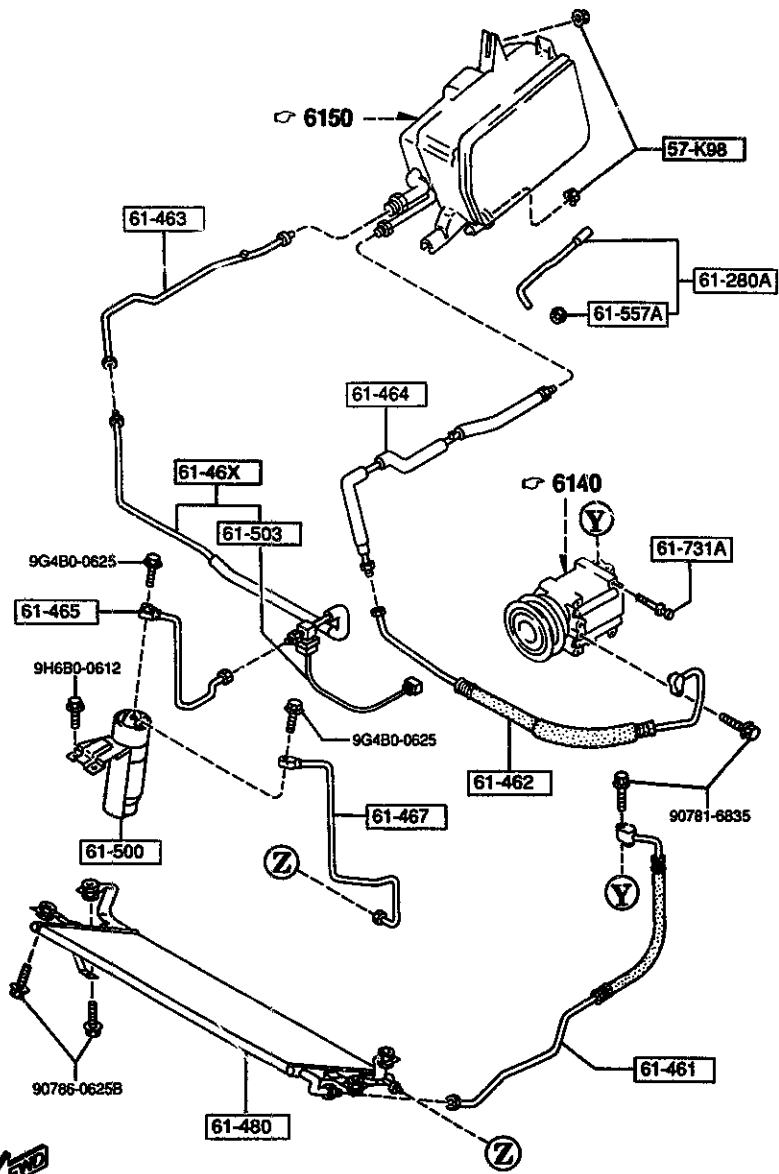


PART NO.	QTY	MODEL/RESTRICTION	MODEL/RESTRICTION	MODEL/RESTRICTION	FROM-TO
CONT'D					
F110-61-480	1				3B02-
61-481B		RUBBER, INSULATOR			
FD04-61-481	2				
61-483A		BRACKET, CONDENSER			
FD04-61-483A	1				
61-500		TANK, LIQUID			
FD15-61-500	1	(ILLUST. NO.1)			
N026-61-501	1	(ILLUST. NO.2)			
61-502		BRACKET, TANK			
FD04-61-502	1				
61-558		GROMMET, UNIT-COOLING			
LA01-61-558A	1				
61-731A		BOLT, AIR CON.			
FD05-61-731	4				
67-7403		RELAY, N.O.			
H270-67-740	1	30A			
78-834		REFRIGERANT DRUM			
W257-61-R13	1	200G			
W523-61-R13	1	300G			
3B02 FD333*-301137					

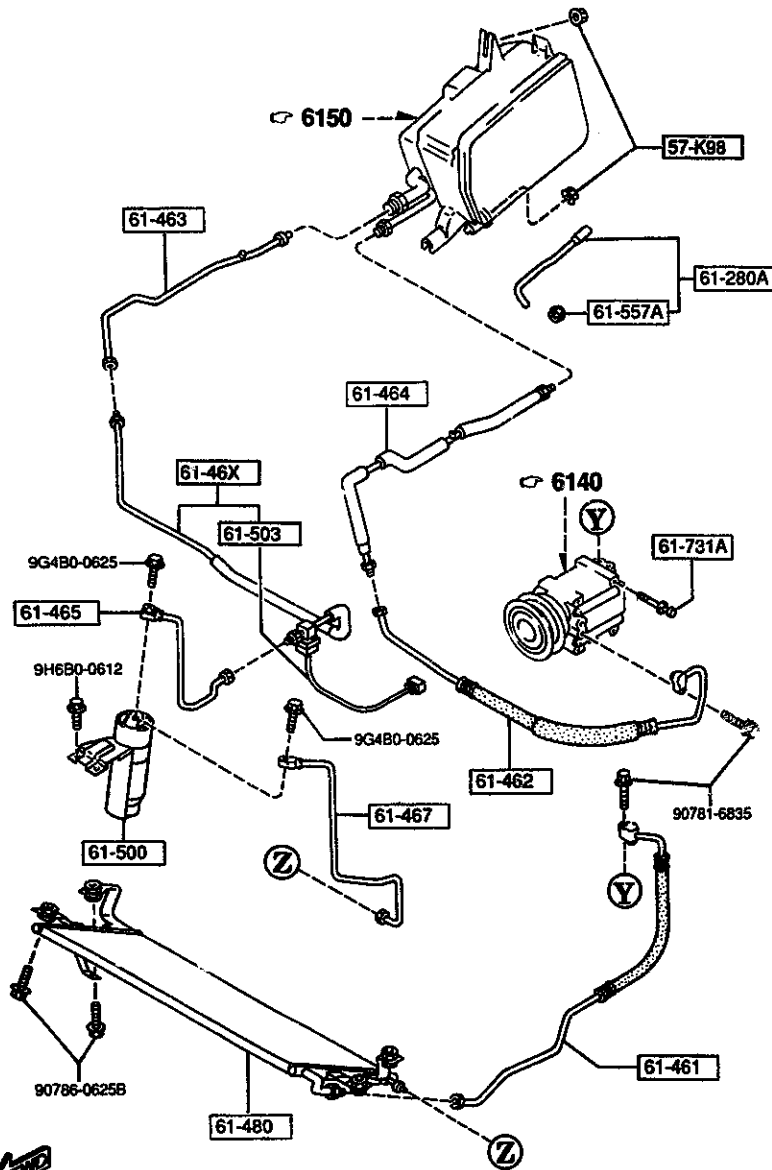
AUFA05

CAT. AUFA05-03

1995-03



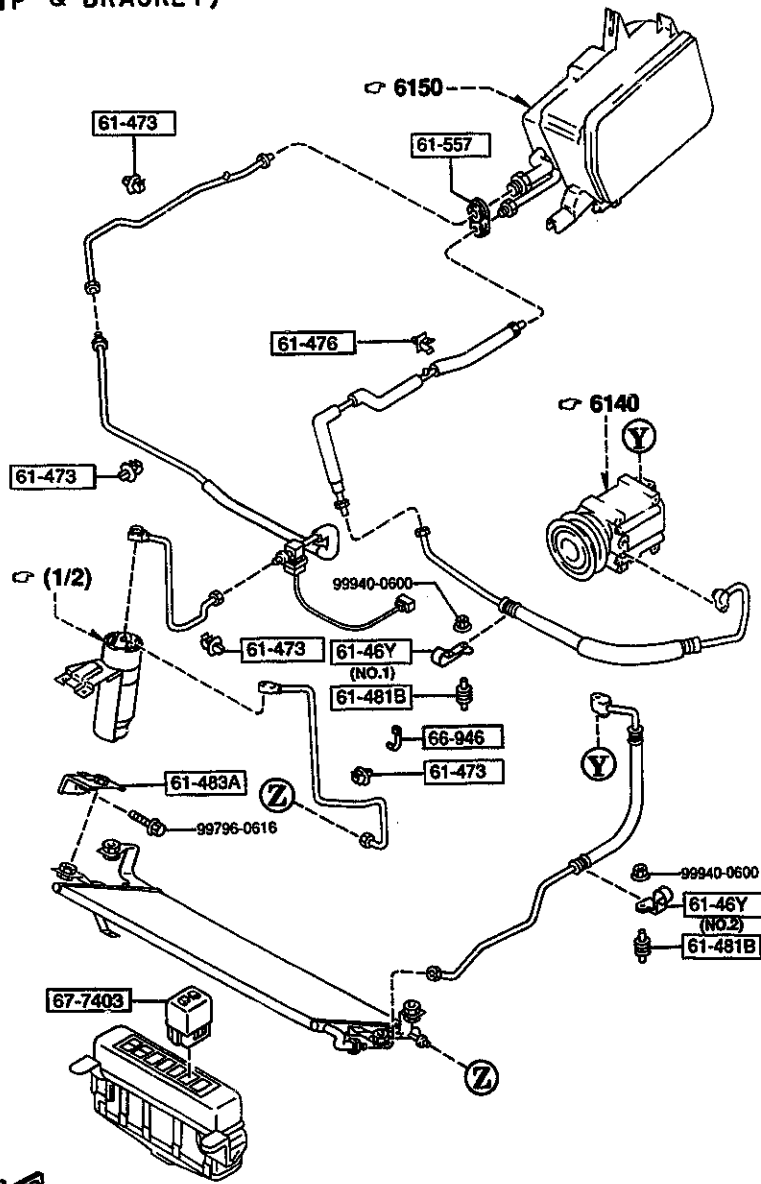
(PIPE&CONDENSER)



PART NO.	QTY	MODEL/RESTRICTION	MODEL/RESTRICTION	MODEL/RESTRICTION	FROM-TO
57-K98		NUT			
*MFC66-57-K98	2				
61-280A		HOSE, DRAIN			
FD16-61-280	1	(A)			
61-46X		PIPE, COOLER-HIGH			
*FD16-61-46X	1				
61-46Y		CLIP, PIPE			
FD01-61-46YA	1	(A)			(ILLUST. NO.1)
FD02-61-46Y	1	(A)			(ILLUST. NO.2)
61-461		HOSE, FLEXIBLE-HIGH			
FD01-61-461	1	(A)			
61-462		HOSE, FLEXIBLE-LOW			
FD01-61-462A	1	(A)			
61-463		PIPE NO.1, COOLER			
FD01-61-464	1	(A)			
61-464		PIPE NO.2, COOLER			
FD01-61-465	1	(A)			
61-465		PIPE NO.3, COOLER			
FD01-61-466	1	(A)			
61-467		PIPE NO.5, COOLER			
FD01-61-468A	1	(A)			
61-473		CLIP, PIPE			
FD01-61-473	4				
61-476		CLIP			



(CLIP & BRACKET)



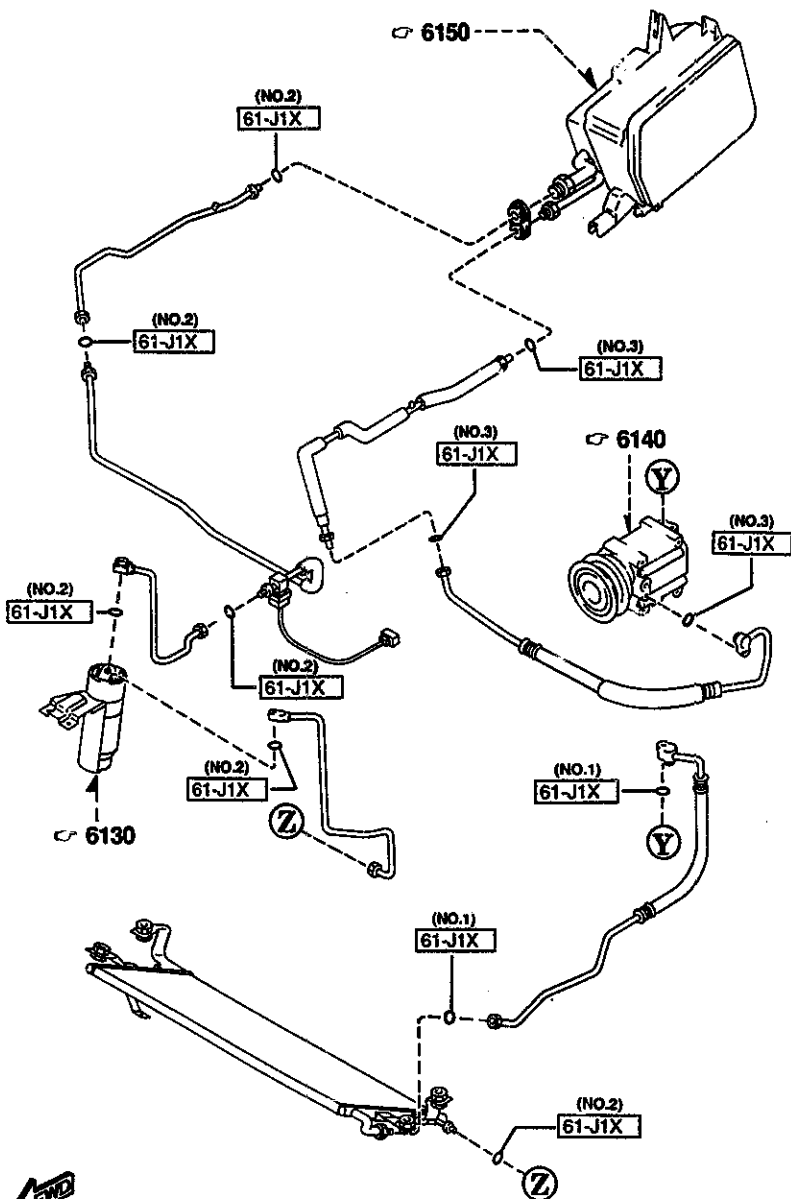
AUFA05

PART NO.	QTY	MODEL/RESTRICTION	MODEL/RESTRICTION	MODEL/RESTRICTION	FROM-TO
CONT'D FD01-61-476	1	(A)			
↑ 61-480 ↓ FD01-61-480A	1	CONDENSER (A)			
↑ 61-481B ↓ FC20-61-481	2	RUBBER, INSULATOR (A)			
↑ 61-483A ↓ FD01-61-483A	1	BRACKET, CONDENSER (A)			
↑ 61-500 ↓ FD01-61-500	1	TANK, LIQUID (A)			
↑ 61-503 ↓ FD16-61-503	1	SW., PRESSURE-LIQUID TANK (A)			
↑ 61-557 ↓ H269-61-557	1	GROMMET, REAR COOLER			
↑ 61-557A ↓ FB04-61-557	1	GROMMET (A)			
↑ 61-731A ↓ B111-61-731	4	BOLT, AIR CON.			
↑ 66-946 ↓ NA02-61-435	6	BAND (A)			
↑ 67-7403 ↓ H270-67-740	1	RELAY, N. O. 30A			

CAT. AUFA05-03

1995-03

6135 O RING SET, PIPING



6135 -1 \* O RING SET, PIPING

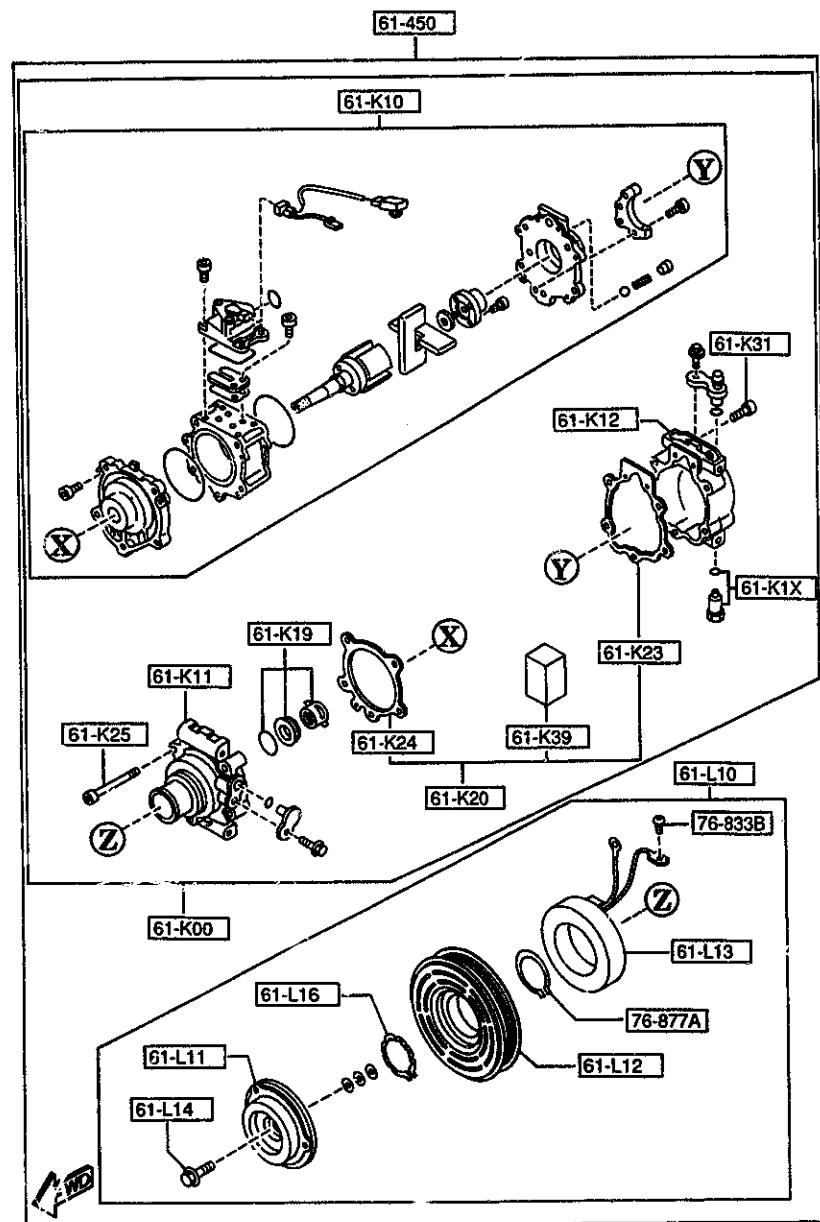
PART NO.	QTY	MODEL/RESTRICTION	MODEL/RESTRICTION	MODEL/RESTRICTION	FROM-TO
61-J1X		RING, 'O'-NO.1			
W257-61-J17	2	(ILLUST. NO.1)			
W326-61-J17	6	(ILLUST. NO.2)			
W329-61-J17	3	(ILLUST. NO.3)			

AUFA05

CAT. AUFA05-03

1995-03

6140 COMPRESSOR COMPONENTS (AIR CONDITIONER)  
(DENSO MAKE)



6140 -1 COMPRESSOR COMPONENTS (AIR CONDITIONER)  
(DENSO MAKE)

PART NO.	QTY	MODEL/RESTRICTION	MODEL/RESTRICTION	MODEL/RESTRICTION	FROM-TO
61-K00		COMPRESSOR,AIR CON.			
FD15-61-K00	1				
61-K1X		VALVE,RELIEF			
FD15-61-K1X	1				
61-K10		SHAFT,CYL -COMPRESSOR			
FD15-61-K10	1				
61-K11		HEAD,CYL.-COMPRESSOR			
FD15-61-K11	1				
61-K12		HEAD,CYL.-COMPRESSOR			
FD15-61-K12	1				
61-K19		SEAL,SHAFT-COMPR.			
FD15-61-K19	1				
61-K20		GASKET KIT,COMPRESSOR			
FD15-61-K2X	1				
61-K23		PLUG,COMPRESSOR			
FD15-61-K23	1				
61-K24		GASKET,COMPRESSOR			
FD05-61-K24	1				
61-K25		BOLT,COMPRESSOR-AIR CON.			
F065-61-K25	5				
61-K31		BOLT,COMPRESSOR			
F065-61-K31	2				
61-K39		OIL,COMPRESSOR			
FD15-61-K39	1				
61-L10		CLUTCH,MAGNET			
FD15-61-L10	1				
61-L11		ARMATURE,MAGNETIC CLUTCH			
FD15-61-L11	1				

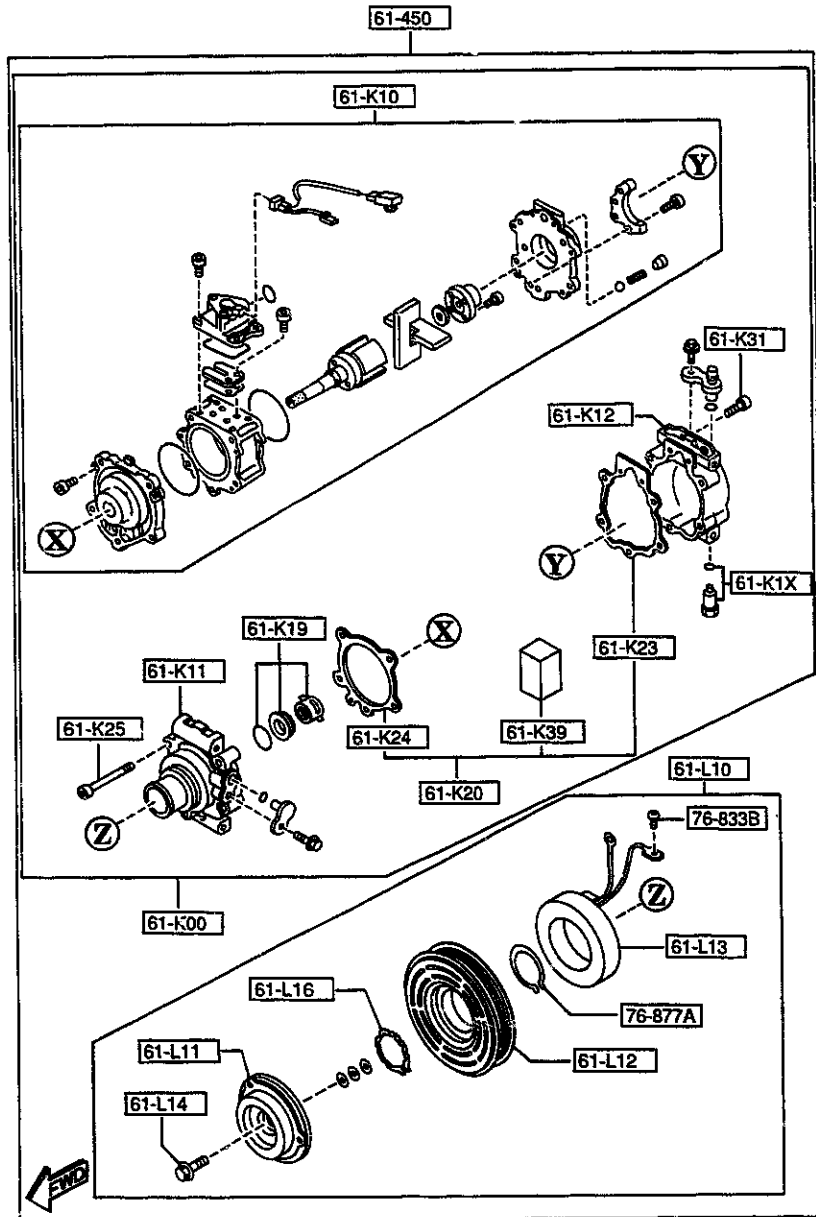
AUFA05

CAT. AUFA05-03

1995-05

6140 COMPRESSOR COMPONENTS (AIR CONDITIONER)  
(DENSO MAKE)

6140 -2 \* COMPRESSOR COMPONENTS (AIR CONDITIONER)  
(DENSO MAKE)



PART NO.	QTY	MODEL/RESTRICTION	MODEL/RESTRICTION	MODEL/RESTRICTION	FROM-TO
61-L12		PULLEY, MAGNET CLUTCH			
FD15-61-L12	1				
61-L13		COIL, FIELD-MAGNET CLUTCH			
FD15-61-L13	1				
61-L14		BOLT, MAGNET CLUTCH			
F065-61-L14	1				
61-L16		RING, SNAP-MAGNET CLUTCH			
F065-61-L16	1				
61-450		COMPRESSOR			
FD15-61-450	1				
76-833B		WASHER			
B001-76-734	1				
76-877A		RING, SNAP			
B001-76-725	1				

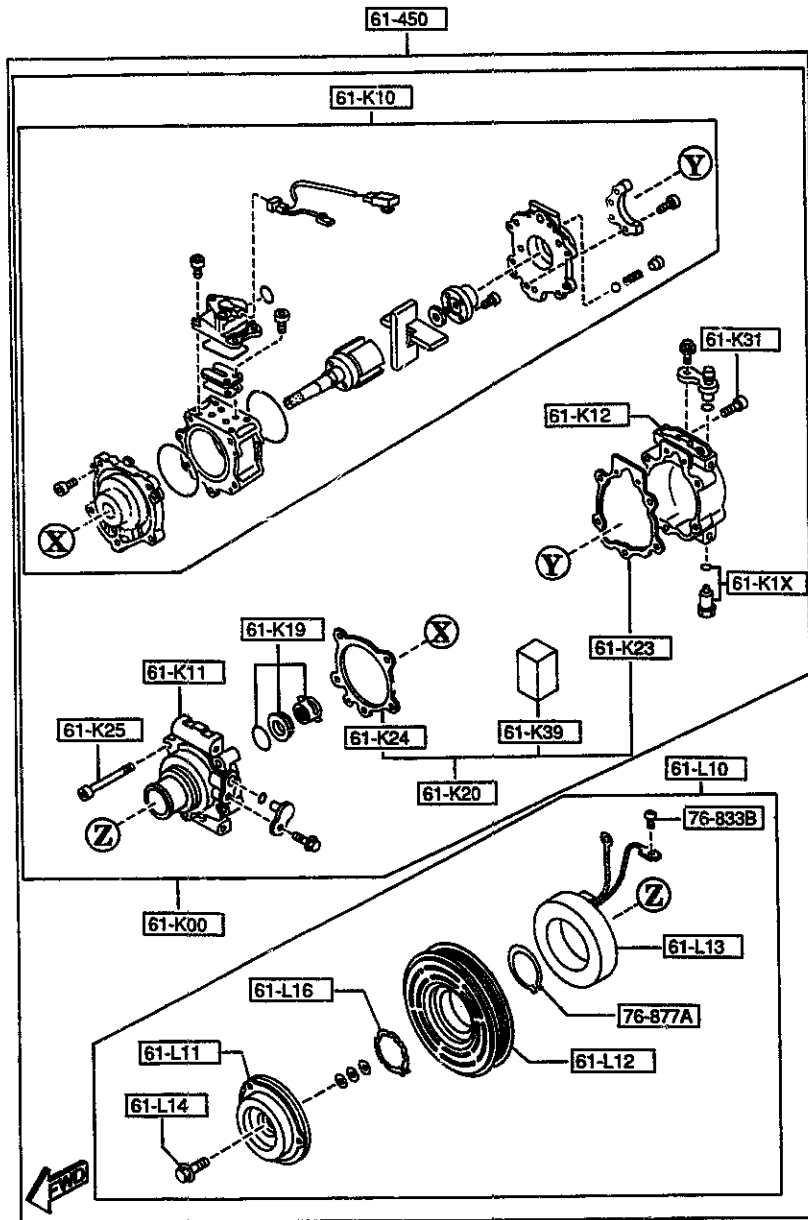
AUFA05

CAT. AUFA05-03

1995-03

6140A COMPRESSOR COMPONENTS (AIR CONDITIONER)  
(MANA MAKE)

6140A -1 COMPRESSOR COMPONENTS (AIR CONDITIONER)  
(MANA MAKE)



PART NO.	QTY	MODEL/RESTRICTION	MODEL/RESTRICTION	MODEL/RESTRICTION	FROM-TO
61-K00		COMPRESSOR,AIR CON.			
FD01-61-K00	1	(A)			
61-K1X		VALVE,RELIEF			
FD01-61-K1X	1	(A)			
61-K10		SHAFT,CYL -COMPRESSOR			
FD01-61-K10	1	(A)			
61-K11		HEAD,CYL.-COMPRESSOR			
NA02-61-K11	1	(A)			
61-K12		HEAD,CYL.-COMPRESSOR			
FD01-61-K12	1	(A)			
61-K19		SEAL,SHAFT-COMPR.			
F065-61-K19	1				
61-K20		GASKET KIT,COMPRESSOR			
NA02-61-K2X	1	(A)			
61-K23		PLUG,COMPRESSOR			
NA02-61-K23	1	(A)			
61-K24		GASKET,COMPRESSOR			
NA02-61-K24	1	(A)			
61-K25		BOLT,COMPRESSOR-AIR CON.			
F065-61-K25	5				
61-K31		BOLT,COMPRESSOR			
F065-61-K31	2				
61-K39		OIL,COMPRESSOR			
NA02-61-K39	1	(A)			

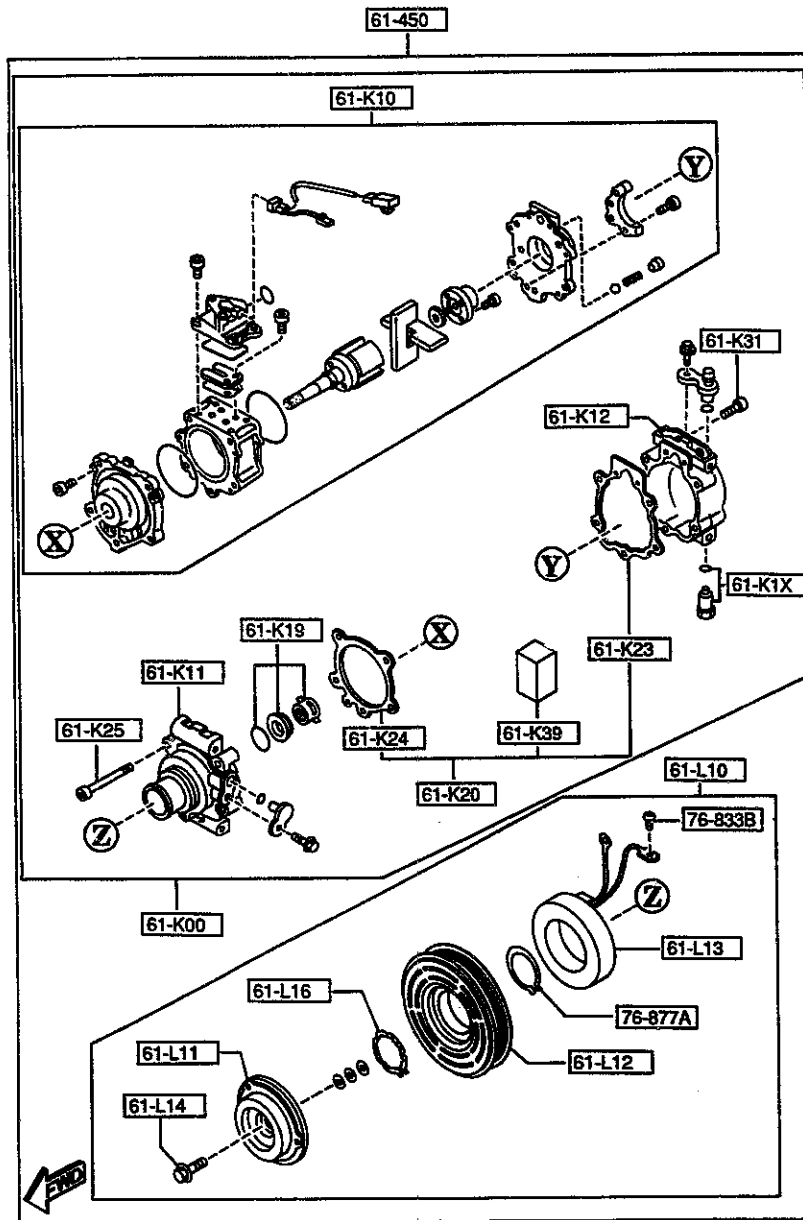
AUFA05

CAT. AUFA05-03

1995-03

6140A COMPRESSOR COMPONENTS (AIR CONDITIONER)  
(MANA MAKE)

6140A -2 \* COMPRESSOR COMPONENTS (AIR CONDITIONER)  
(MANA MAKE)



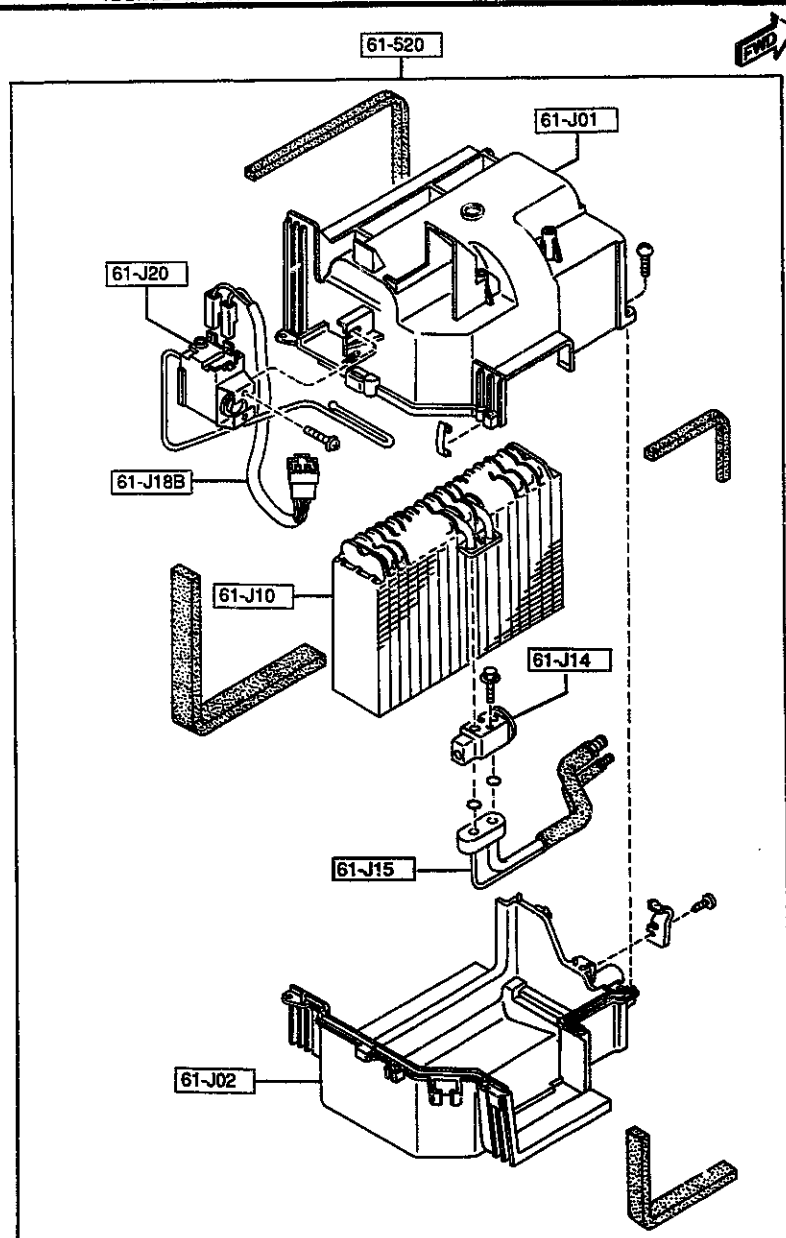
PART NO.	QTY	MODEL/RESTRICTION	MODEL/RESTRICTION	MODEL/RESTRICTION	FROM-TO
61-L10		CLUTCH, MAGNET			
FD01-61-L10	1	(A)			
61-L11		ARMATURE, MAGNETIC CL			
F065-61-L11	1	UTCH			
61-L12		PULLEY, MAGNET CLUTCH			
FD01-61-L12	1	(A)			
61-L13		COIL, FIELD-MAGNET CL			
F065-61-L13	1	UTCH			
61-L14		BOLT, MAGNET CLUTCH			
F065-61-L14	1				
61-L16		RING, SNAP-MAGNET CLU			
F065-61-L16	1	TCH			
61-450		COMPRESSOR			
FD01-61-450	1	(A)			
76-833B		WASHER			
B001-76-734	1				
76-877A		RING, SNAP			
B001-76-725	1				

AUFA05

CAT. AUFA05-03

1995-03

6150

COOLING UNIT (AIR CONDITIONER)  
(DENSO MAKE)6150 -1 \* COOLING UNIT (AIR CONDITIONER)  
(DENSO MAKE)

PART NO.	QTY	MODEL/RESTRICTION	MODEL/RESTRICTION	MODEL/RESTRICTION	FROM-TO
61-J01		CASE 'A', COOLING UNIT			
FD15-61-J01	1				
61-J02		CASE 'B', COOLING UNIT			
FD15-61-J02	1				
61-J10		EVAPORATOR			
FD15-61-J10	1				
61-J14		VALVE, EXPANSION			
FD15-61-J14	1				
61-J15		PIPE, COOLING UNIT			
FD15-61-J15	1				
61-J18B		HARNES, COOLING UNIT			
FD15-61-J43	1				
61-J20		THERMOSTAT, COOLING UNIT			
FD15-61-J20	1				
61-520		UNIT, COOLING			
FD15-61-520	1				

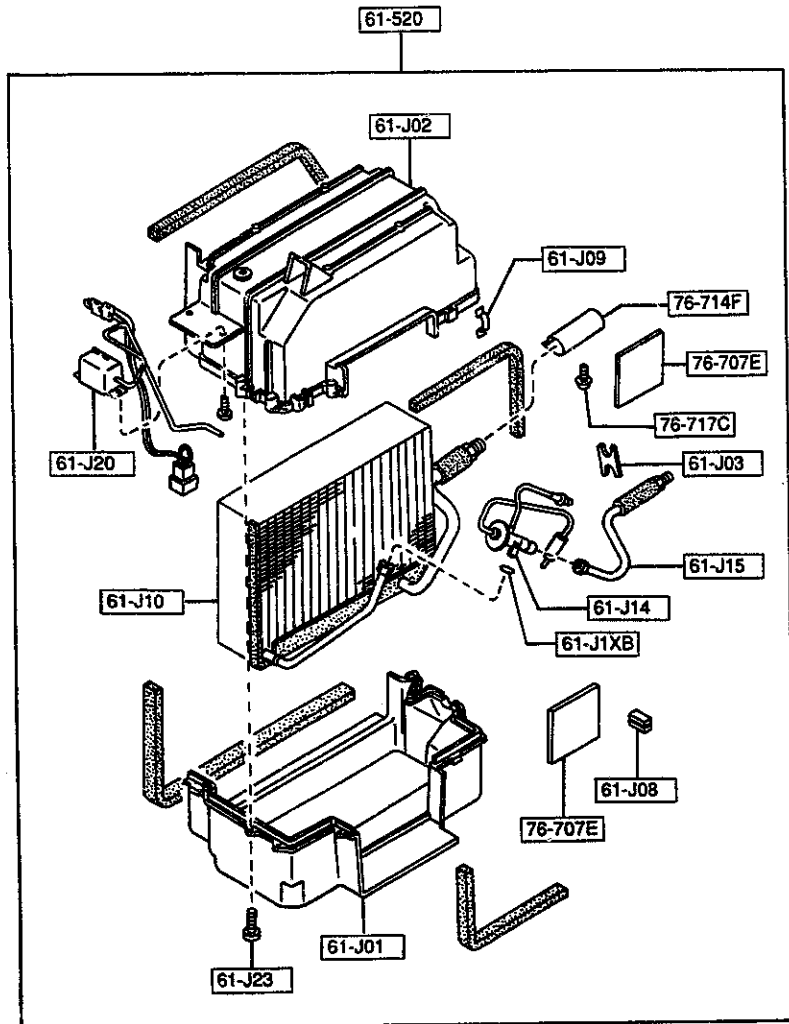
AUF05

CAT. AUF05-03

1995-03

6150A COOLING UNIT (AIR CONDITIONER)  
(MANA MAKE)

6150A -1 COOLING UNIT (AIR CONDITIONER)  
(MANA MAKE)

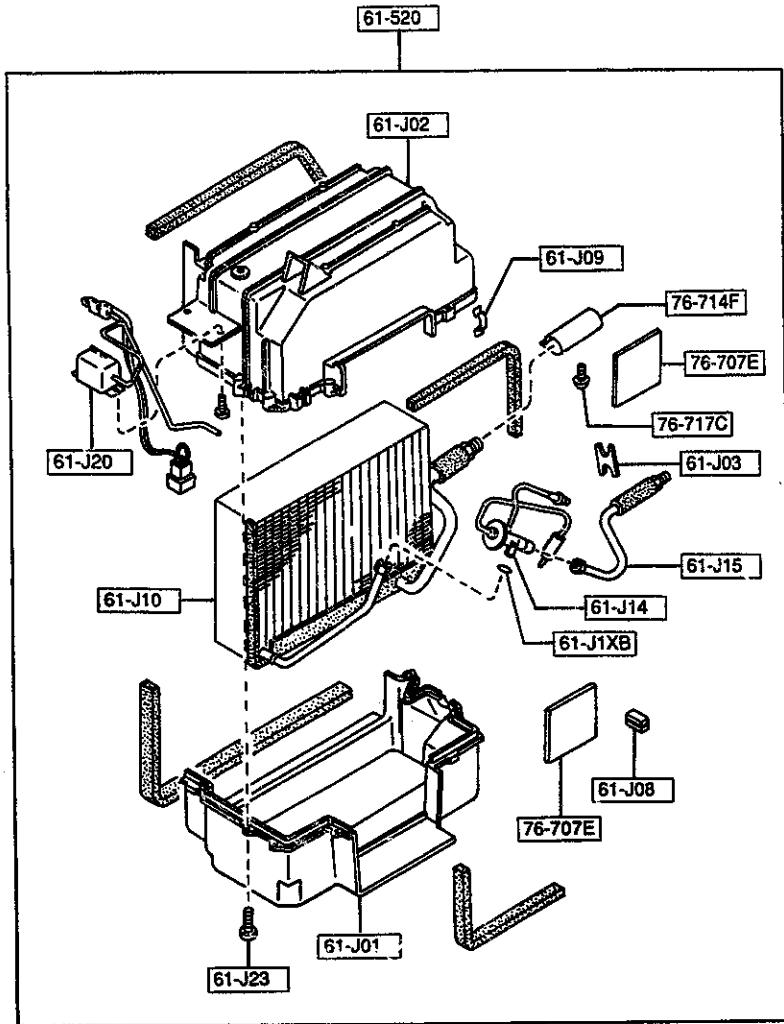


PART NO.	QTY	MODEL/RESTRICTION	MODEL/RESTRICTION	MODEL/RESTRICTION	FROM-TO
61-J01 FD17-61-J01	1	CASE*A*,COOLING UNIT (A)			
61-J02 FD17-61-J02	1	CASE*B*,COOLING UNIT (A)			
61-J03 FD01-61-J03	1	CASE*C*,COOLING UNIT (A)			
61-J08 GJ51-61-J08	1	CLIP,COOLING UNIT (G)			
61-J09 G213-61-J09	2	CLIP,COOLING UNIT			
61-J1XB H261-61-J17	1	RING,*O*-NO.3			
61-J10 FD17-61-J10	1	EVAPORATOR (A)			
61-J14 FD01-61-J14	1	VALVE,EXPANSION (A)			
61-J15 FD17-61-J15	1	PIPE,COOLING UNIT (A)			
61-J20 FD01-61-J20	1	THERMOSTAT,COOLING U NIT			
61-J23 GJ51-61-J23	5	SCREW,COOLING UNIT (G)			
61-520 FD17-61-520	1	UNIT,COOLING (A)			



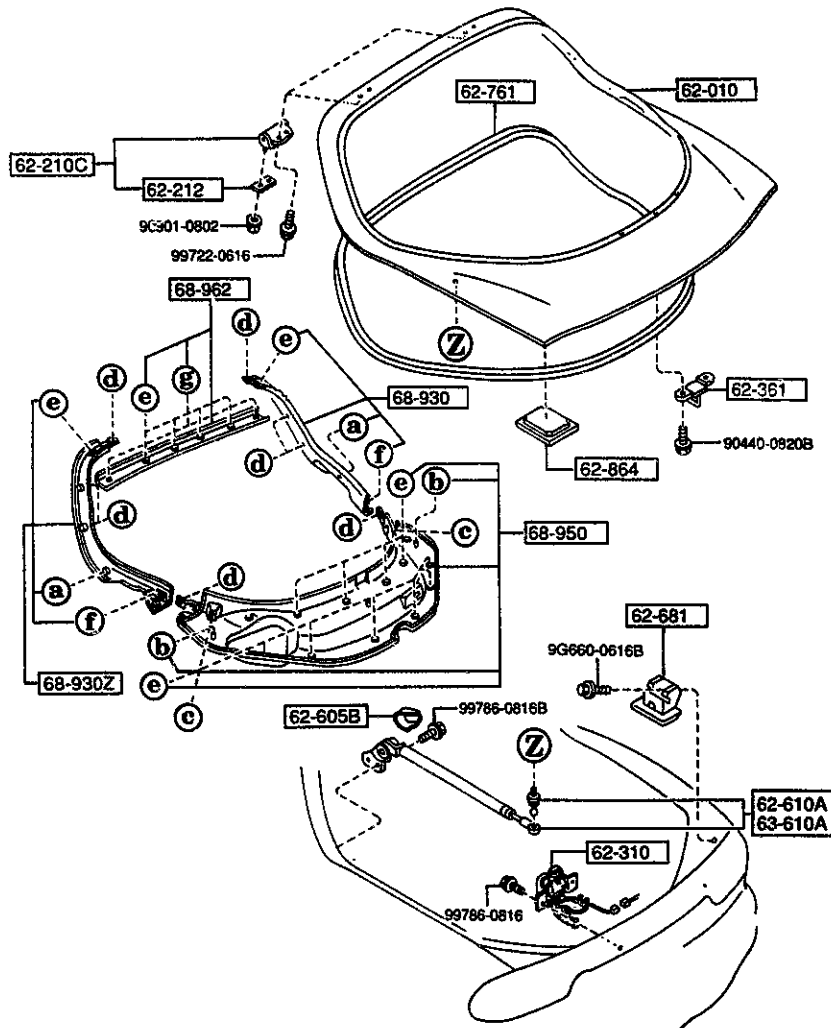
6150A COOLING UNIT (AIR CONDITIONER)  
(MANA MAKE)

6150A -2 \* COOLING UNIT (AIR CONDITIONER)  
(MANA MAKE)



PART NO.	QTY	MODEL/RESTRICTION	MODEL/RESTRICTION	MODEL/RESTRICTION	FROM-TO
76-707E		INSULATOR			
HA16-76-707	2				
76-714F		CLIP			
H001-76-714	1				
76-717C		SCREW			
H001-76-717	1				

6230 LIFT GATE MECHANISMS



a	b	c	d	e	f	g
68-AD1	68-D21	68-305B	68-865Q	68-865S	68-172H	68-AD2

PART NO.	QTY	MODEL/RESTRICTION	MODEL/RESTRICTION	MODEL/RESTRICTION	FROM-TO
62-010		BODY, LIFT GATE			
FD01-62-020D	1	((W/O SUN-RF)>>(NOR.S USP)) (STEEL SUN-RF)			
FD03-62-020D	1	((W/O SUN-RF)>>(HARD SUSP))			
FD04-62-020D	1	(GLASS SUN-RF)			
62-210C		HINGE, GLASS HATCH			
FD01-62-210C	2				
62-212		GASKET, HINGE-LIFT GATE			
B001-62-212	2				
62-310		LOCK, LIFT GATE			
FD01-62-310	1				
62-361		STRIKER, LOCK			
KA01-62-361	1				
62-605B		COVER, DAMPER STAY			
FB01-62-615	2				
62-610A		STAY(R), DAMPER			
88FA-62-620	1	((W/O SUN-RF)>>(HARD SUSP)) (GLASS SUN-RF)			
88F9-62-620	1	((W/O SUN-RF)>>(NOR.S USP)) (STEEL SUN-RF)			
62-681		WEDGE, LIFTGATE			
FD01-62-681B	2				
62-761		WTHSTP, LIFT GATE			
FD01-62-761	1				
62-864		TAPE, PROTECTOR-STOPPER			
B467-62-864 AN(B467-62-864A)	2				-4101
B467-62-864A AN(B467-62-864B)	2				4101-4117
B467-62-864B	2				4117-
4101 FD333*-301753 4117 FD333*-301957					

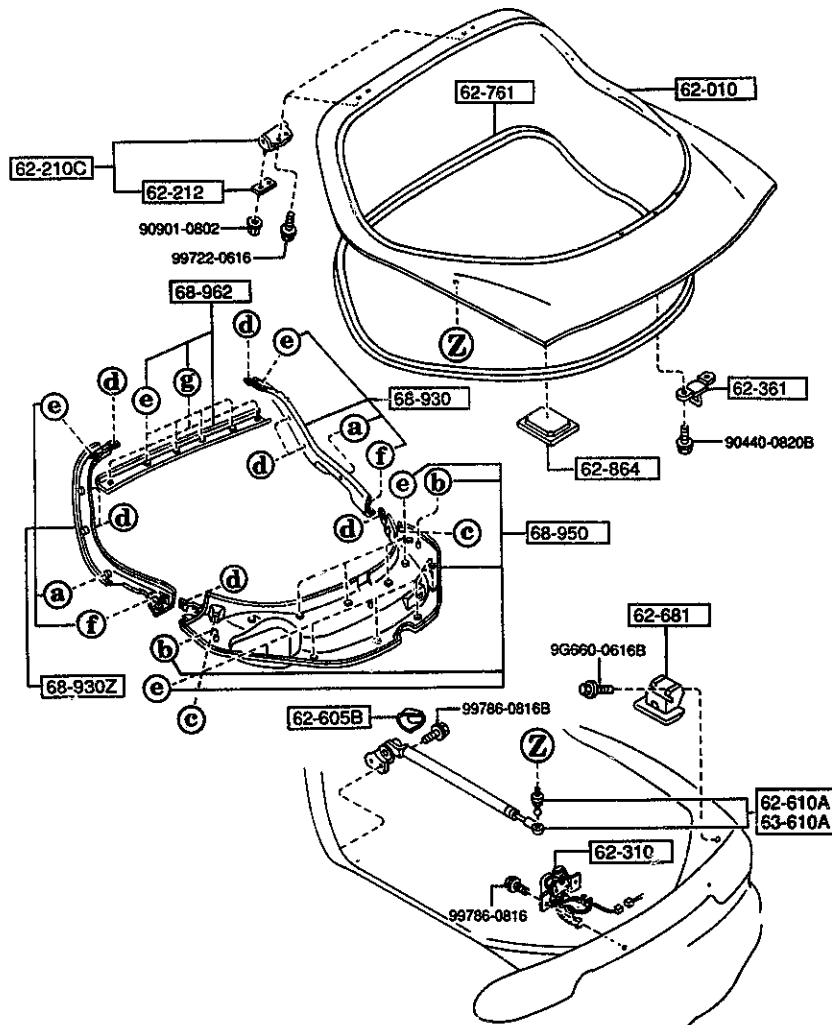
AUFA05

-283-

CAT. AUFA05-03

1995-03

6230 LIFT GATE MECHANISMS

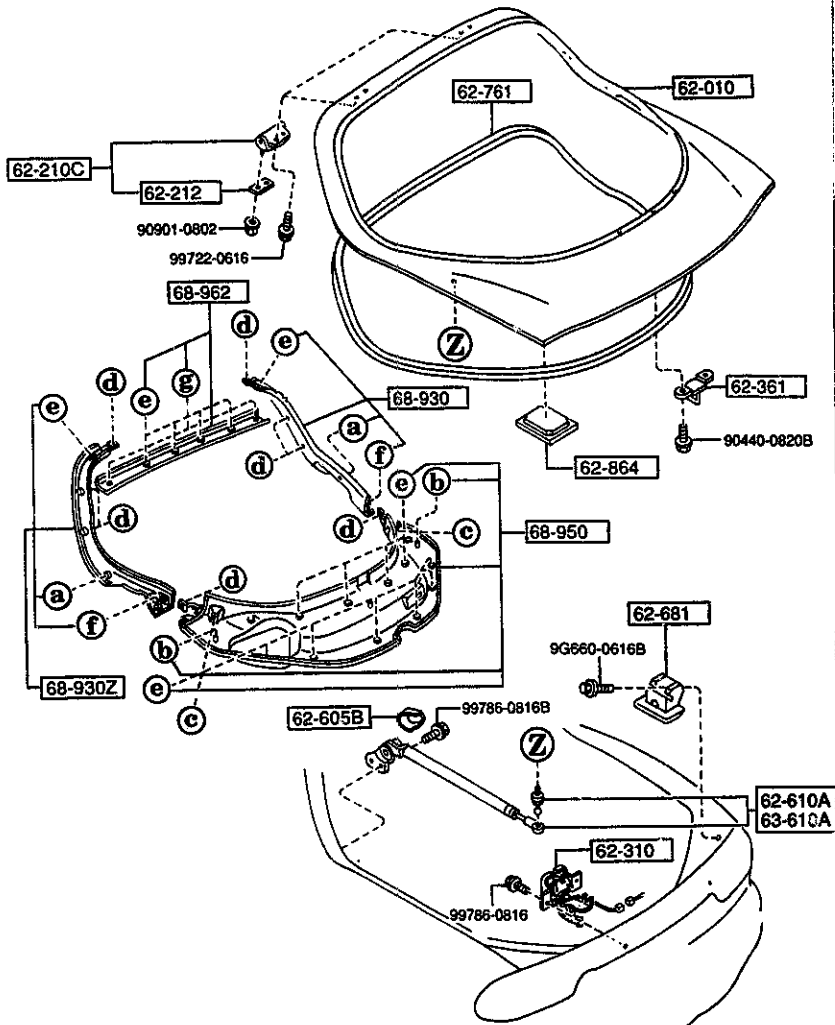


a	b	c	d	e	f	g
68-AD1	68-D21	68-305B	68-865Q	68-865S	68-172H	68-AD2

PART NO.	QTY	MODEL/RESTRICTION	MODEL/RESTRICTION	MODEL/RESTRICTION	FROM-TO
43-619A		STAY(L), DAMPER			
68F5-63-620	1	((W/O SUN-RF))>(NOR.S USP) (STEEL SUN-RF)			
68F6-63-620	1	((W/O SUN-RF))>(HARD SUSP) (GLASS SUN-RF)			
68-AD1		CLIP, SLIDE			
B499-68-AD1A	2				
68-AD2		CLIP			
B455-68-AD2	2				
68-D21		CLIP, TRIM			
LA10-68-D21	2				
68-172H		FASTENER, CTR. P/UPP.			
B100-68-215A	2				
68-305B		HANGER, STRAP			
FD01-68-301	2				
02	INT-	FE5 FE6 FE7 BLACK			
68-865Q		FASTENER			
GJ21-68-885B	8				
00	INT-	FE5 FE6 FE7 BLACK			
68-865S		CLIP, TRIM			
GJ12-68-865	17				
68-930		TRIM(R), LIFT GATE-SIDE			
FD01-68-940B	1				
02	INT-	FE5 FE6 FE7 BLACK			
68-930Z		TRIM(L), LIFT GATE-SIDE			
FD01-68-950B	1				
02	INT-	FE5 FE6 FE7 BLACK			
68-950		TRIM, LIFTGATE-LOWER			
FD01-68-960C	1				

3-J 5

6230 LIFT GATE MECHANISMS

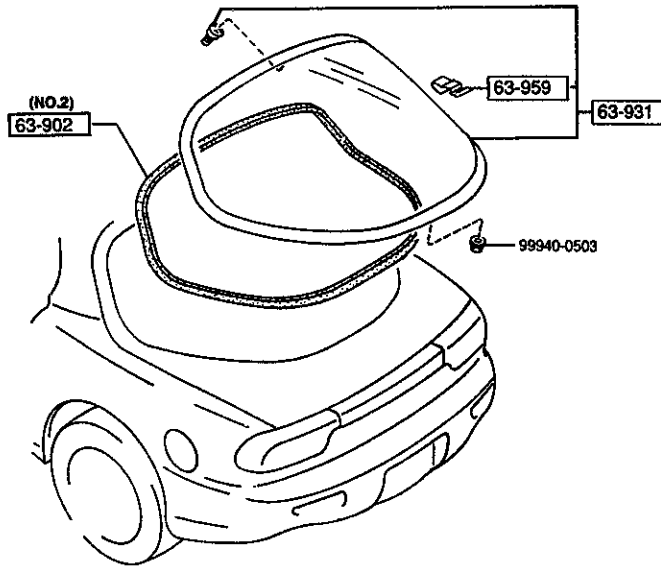
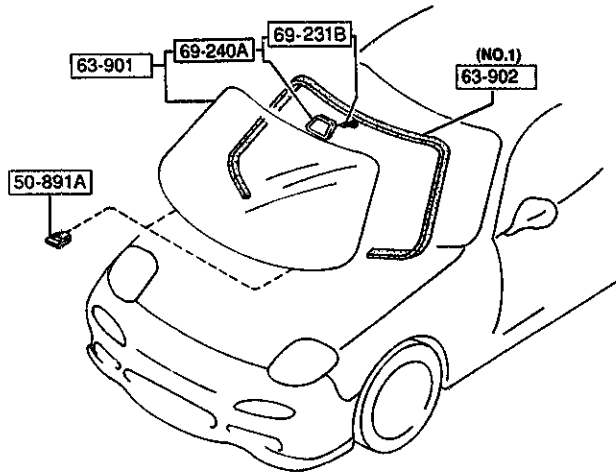


<b>a</b>	<b>b</b>	<b>c</b>	<b>d</b>	<b>e</b>	<b>f</b>	<b>g</b>
68-AD1	68-D21	68-305B	68-865Q	68-865S	68-172H	68-AD2

PART NO.	QTY	MODEL/RESTRICTION	MODEL/RESTRICTION	MODEL/RESTRICTION	FROM-TO
CONT'D 02	INT-	FE5 FE6 FE7 BLACK			
↑ 68-962 ↓		TRIM, LIFTGATE-UPPER			
FD01-68-930A	1				
02	INT-	FE5 FE6 FE7 BLACK			

6300 -1 \* WINDOW GLASSES

6300 WINDOW GLASSES



PART NO.	QTY	MODEL/RESTRICTION	MODEL/RESTRICTION	MODEL/RESTRICTION	FROM-TO
50-891A		SPACER, WINDOW			
EA01-50-891 AN(EA01-50-891A)	2	WHITE			-4401
*EA01-50-891A	2	WHITE			4401-
63-901		GLASS, WINDSHIELD			
FD15-63-900	1				
63-902		DAM, FRT. WSHLD GLASS			
FD01-50-894	1	L=3120MM (ILLUST. NO.1)			
8545-63-902	1	L=3850MM (ILLUST. NO.2)			
63-931		GLASS, BACK WINDOW			
FD15-63-930	1				
63-959		TERMINAL, BACK WIND. GLASS			
FB01-63-959	3				
69-231B		SCREW			
HG30-69-119	2				
69-240A		BASE, INTERIOR MIRROR			
HG31-69-240	1				
4401 FD333*-303310					

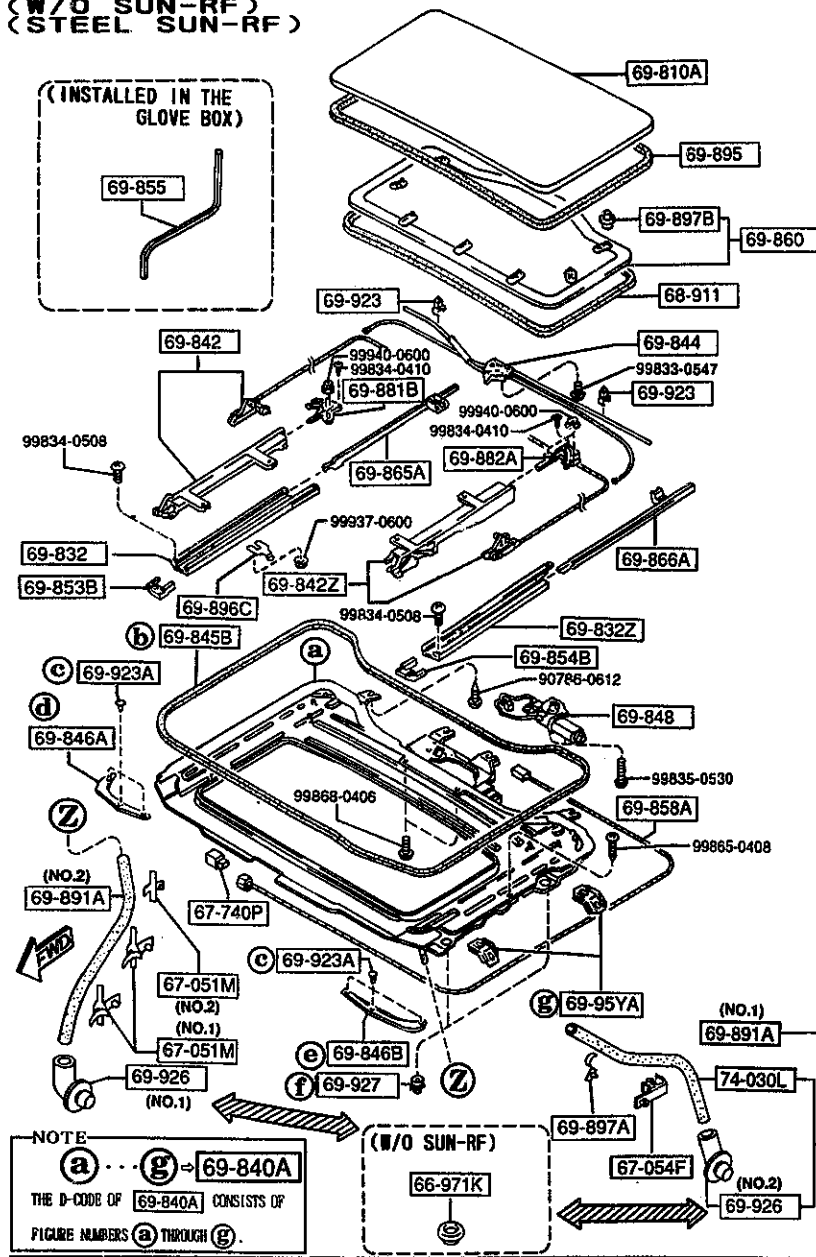
AUFA05

CAT. AUFA05-03

1995-03

6330 SUNROOF  
 (W/O SUN-RF)  
 (STEEL SUN-RF)

(1/2)

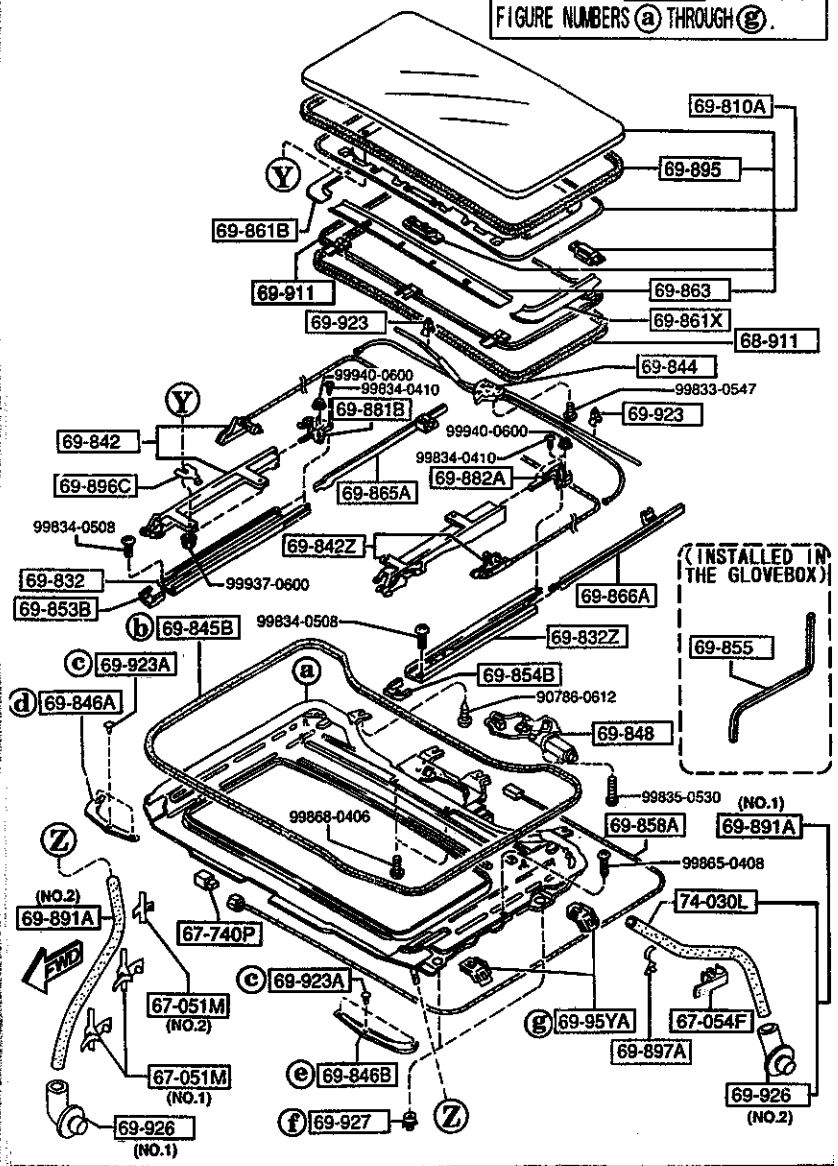


AUFA05

6330 SUNROOF  
 (GLASS SUN-RF)

(2/2)

NOTE  
 (a)-(g) → 69-840A  
 THE D-CODE OF 69-840A CONSISTS OF  
 FIGURE NUMBERS (a) THROUGH (g).

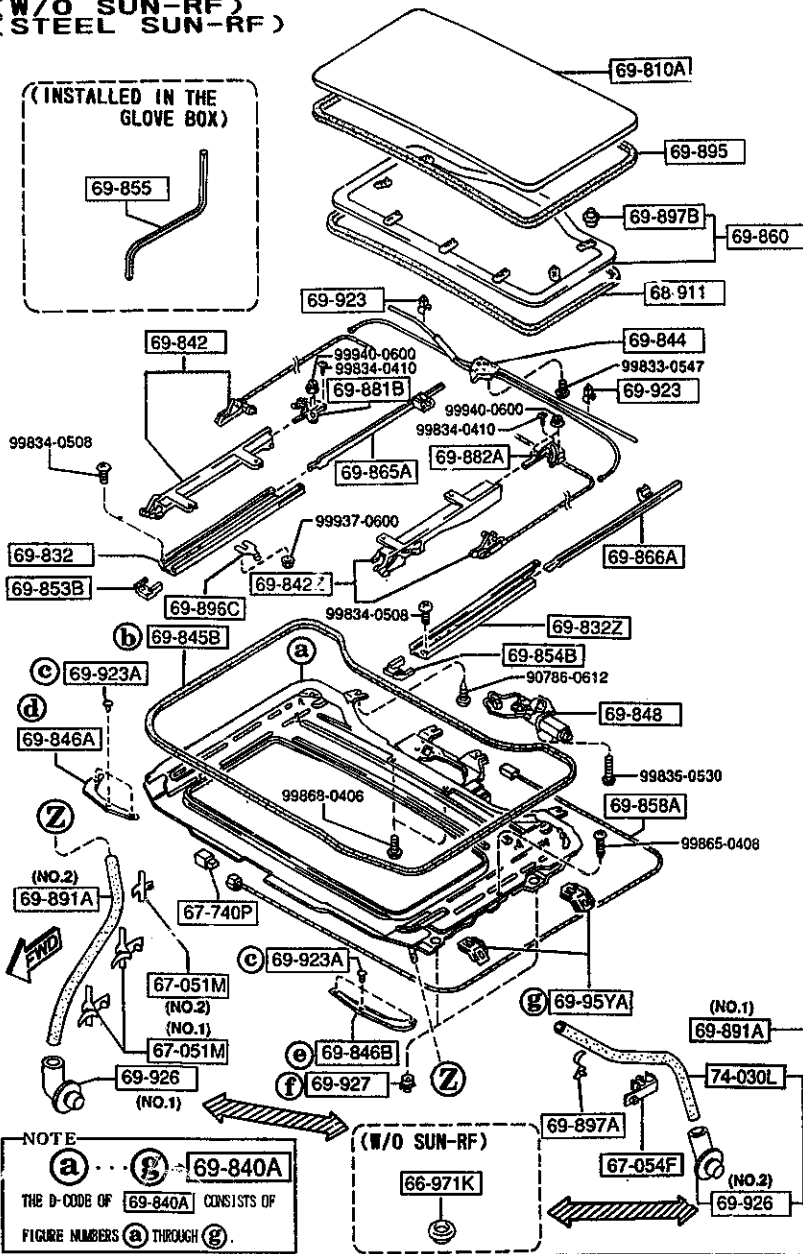


AUFA05

-288-

6330 SUNROOF  
 (W/O SUN-RF)  
 (STEEL SUN-RF)

(1/2)

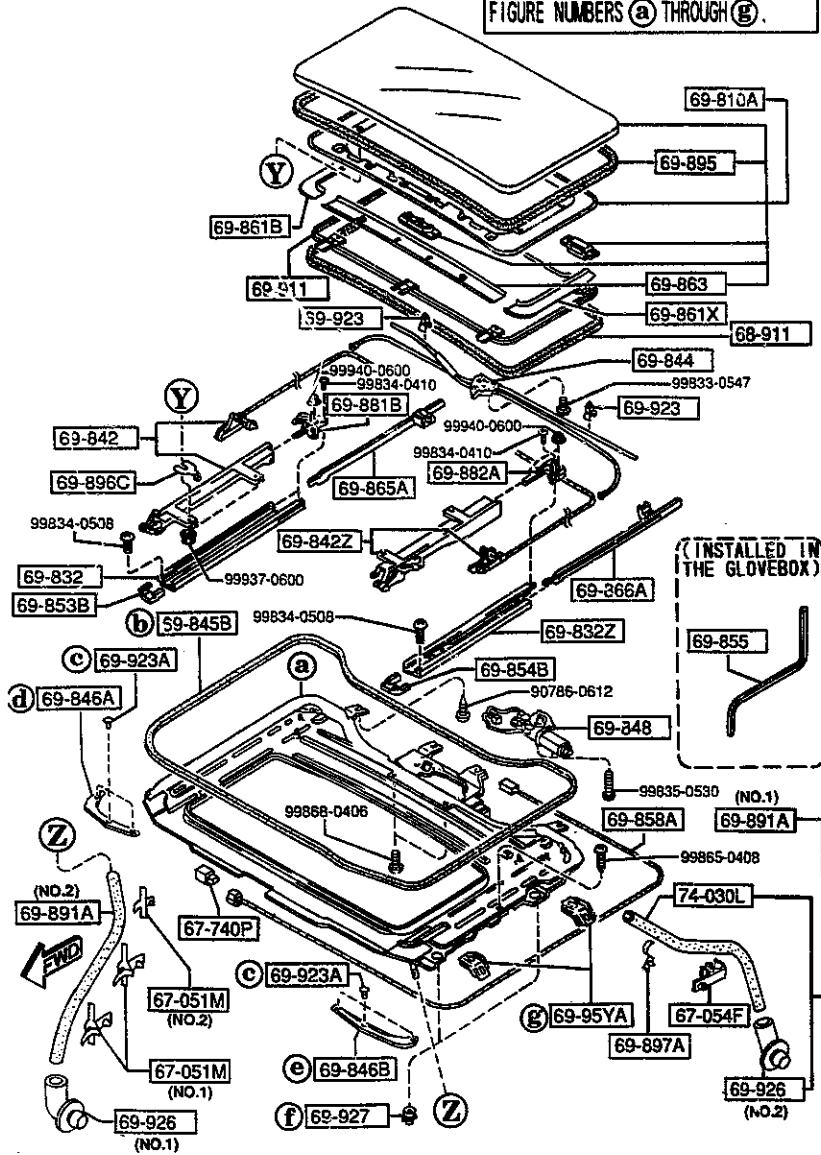


PART NO.	QTY	MODEL/RESTRICTION	MODEL/RESTRICTION	MODEL/RESTRICTION	FROM-TO
66-971K		GROMMET			
0222-66-971	4	(W/O SUN-RF)			
67-051M		CLIP			
8455-67-C31	2	(ILLUST. NO.1)			
6A2A-67-C33	1	(ILLUST. NO.2)			
67-054F		CLIP			
6030-67-052	2				
67-740P		RELAY, SLIDE ROOF			
EA05-69-873	1				
68-911		WELT, SEAMING			
FD01-69-981A	1				
02	INT-	FE5 FE6 FE7 BLACK			
69-810A		PANEL, SLIDING ROOF			
FD01-69-810B	1	(STEEL SUN-RF)			
F114-69-810B	1	(GLASS SUN-RF)			
69-832		RAIL(R), GUIDE			
FD01-69-851	1				
69-832Z		RAIL(L), GUIDE			
FD01-69-852	1				
69-840A		FRAME, SLIDING ROOF			
FD01-69-840	1				
69-842		GUIDE(R), REAR			
FD01-69-864	1				
69-842Z		GUIDE(L), REAR			
FD01-69-865	1				
69-844		UNIT, DRIVE			
FD01-69-861	1				
69-845B		TAPE, SEAL-SLDG ROOF FRAME			

(GLASS SUN-RF)

NOTE

(a)-(g) ⇒ [69-840A]  
 THE D-CODE OF [69-840A] CONSISTS OF  
 FIGURE NUMBERS (a) THROUGH (g).



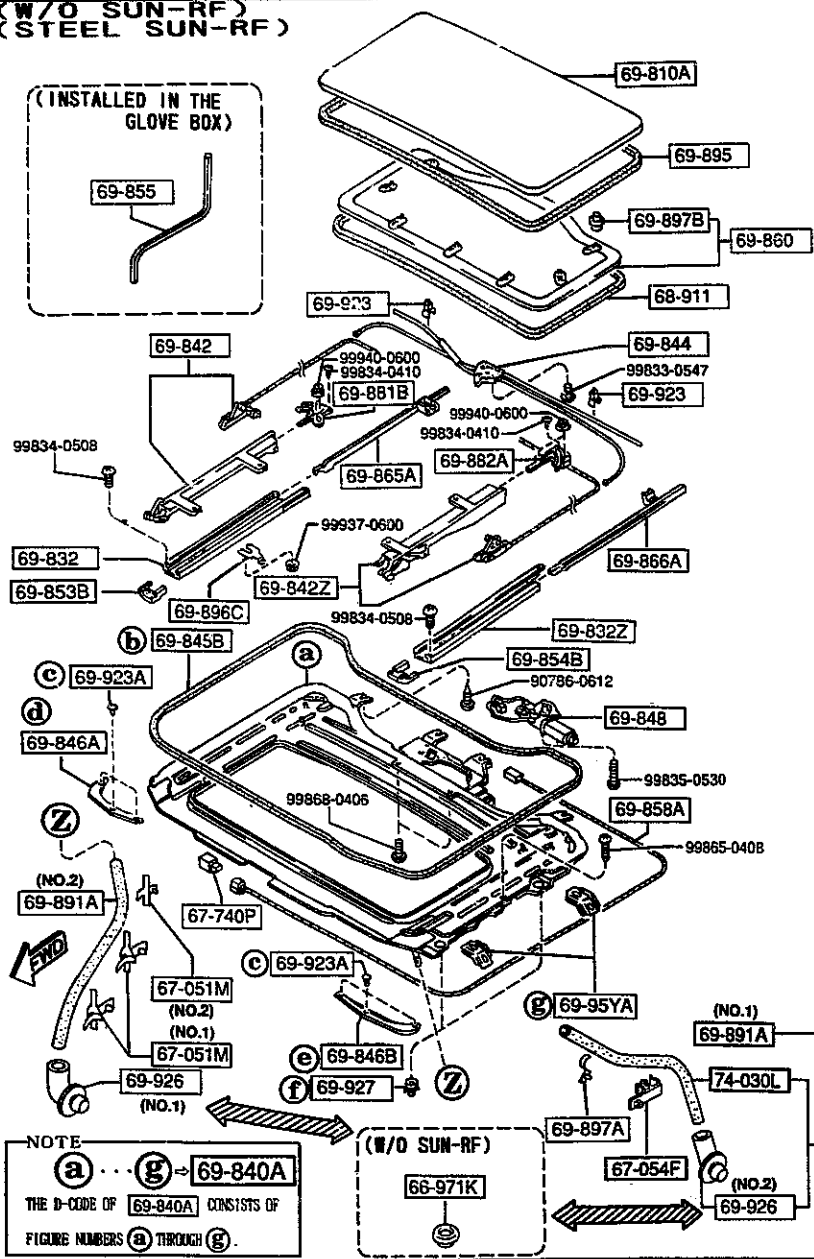
PART NO.	QTY	MODEL/RESTRICTION	MODEL/RESTRICTION	MODEL/RESTRICTION	FROM-TO
CONT'D					
FD01-69-845	1				
↑ 69-846A ↓		COVER 'A', FRAME-SLIDE			
FD01-69-846	1	ROOF			
↑ 69-846B ↓		COVER 'B', FRAME-SLIDE			
FD02-69-846	1	ROOF			
↑ 69-848 ↓		MOTOR, SLIDING ROOF			
EA05-69-871	1				
↑ 69-853B ↓		PLATE (R), POSITION-S.			
FD01-69-858	1	ROOF			
↑ 69-854B ↓		PLATE (L), POSITION-S.			
FD01-69-859	1	ROOF			
↑ 69-855 ↓		HANDLE, SLIDING ROOF			
EA05-69-924	1				
↑ 69-858A ↓		HARNES, SLIDING ROOF			
EA05-69-872	1				
↑ 69-860 ↓		TRIM, SLIDING ROOF			
FD01-69-960A	1	(STEEL SUN-RF)			
02	INT-	FE5 FE6 FE7 BLACK			
↑ 69-861B ↓		COVER (R), DECORATION			
F114-69-983	1	(GLASS SUN-RF)			
↑ 69-861X ↓		COVER (L), DECORATION			
F114-69-984	1	(GLASS SUN-RF)			
↑ 69-863 ↓		COVER, LOWER PANEL			
F114-69-893	1	(GLASS SUN-RF)			
↑ 69-865A ↓		SHUTTING (R), SLIDING			
FD01-69-9H1	1	ROOF			
↑ 69-866A ↓		SHUTTING (L), SLIDING			
FD01-69-9H2	1	ROOF			
3C01 FD333*-301464					

-3C01



6330 SUNROOF  
 (W/O SUN-RF)  
 (STEEL SUN-RF)

(1/2)



PART NO.	QTY	MODEL/RESTRICTION	MODEL/RESTRICTION	MODEL/RESTRICTION	FROM-TO
69-881B		PLATE(R),GUIDE			
FDD1-69-9H3	1				
69-882A		PLATE(L),GUIDE			
FDD1-69-9H4	1				
69-891A		HOSE,DRAIN-SUN ROOF FRONT (ILLUST. NO.1)			
FD04-69-920	2				
FD01-69-921	2	(ILLUST. NO.2)			
69-895		WEATHERSTRIP,S/ROOF			
FD01-69-825A	1	(STEEL SUN-RF)			
F114-69-825	1	(GLASS SUN-RF)			
69-896C		SHIM,LOWER PANEL FRONT			
FB03-69-896A	4				
69-897A		CLIP			
G034-69-897	2				
69-897B		FASTENER,TRIM-SLIDE ROOF (STEEL SUN-RF)			
GA2B-69-897	7				
69-911		SHADE,SUN			
F114-69-890A	1	(GLASS SUN-RF)			
69-923		CLIP,DRAIN HOSE-SUN ROOF			
FDD1-69-929	2				
69-923A		CLIP,DRAIN HOSE-REAR			
FDD1-69-923	6				
69-926		JOINT,DRAIN HOSE-REAR (ILLUST. NO.1)			
F100-69-926A	2				
KA02-69-926	2	(ILLUST. NO.2)			
69-927		NUT,ADJUST-S/ROOF FRAME			
GA2B-69-927	4				
69-95YA		BRACKET,SUN ROOF-FRONT			

AUFA05

CAT. AUFA05-03

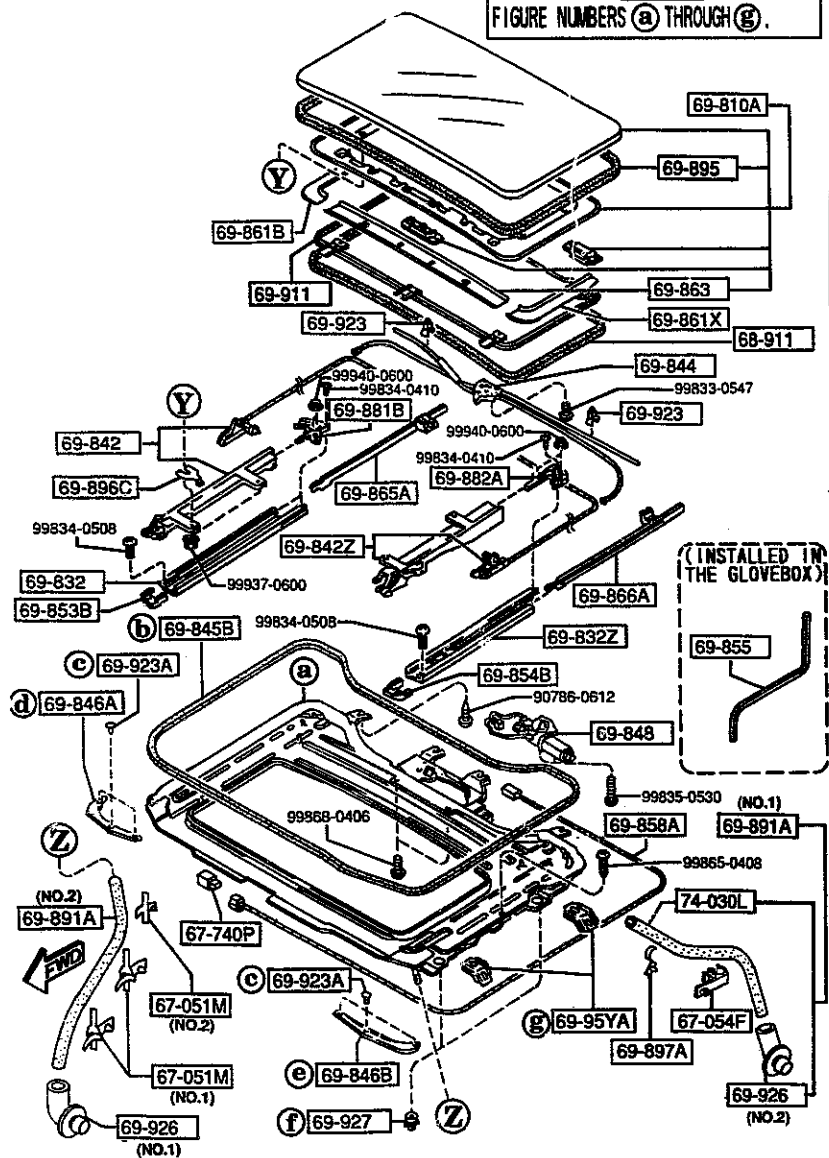
1995-03

6330 SUNROOF  
(GLASS SUN-RF)

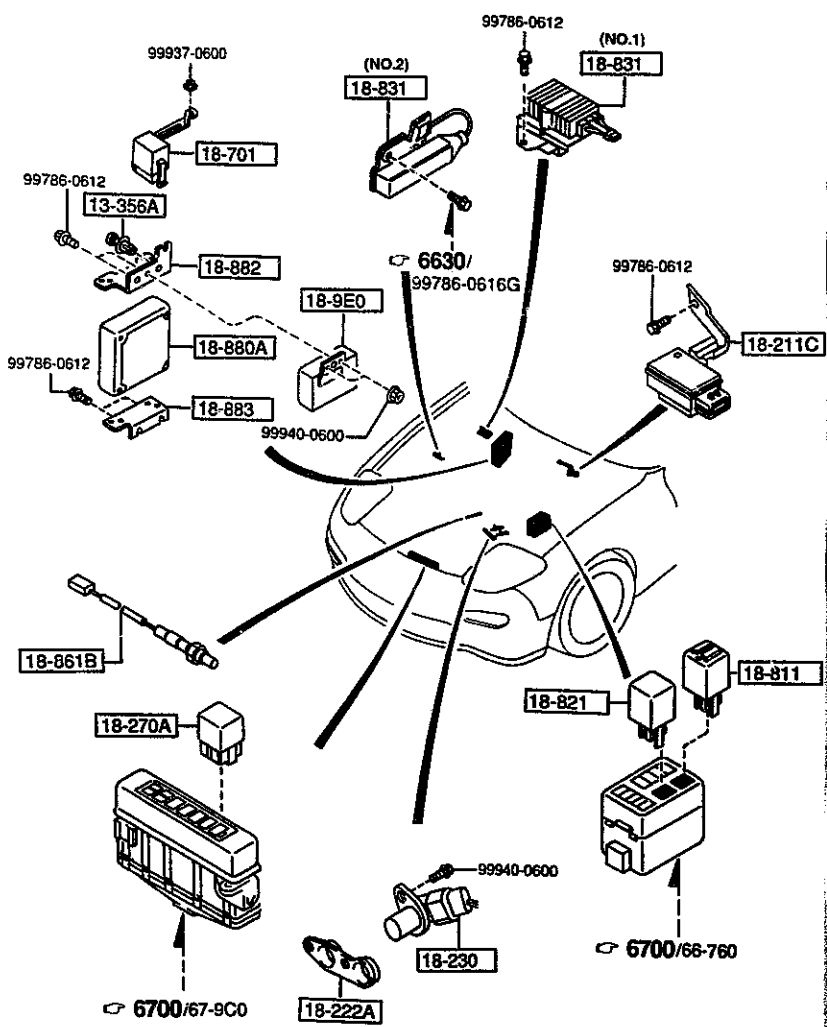
(2/2)

NOTE

(a)-(g) → [69-840A]  
THE D-CODE OF [69-840A] CONSISTS OF  
FIGURE NUMBERS (a) THROUGH (g).

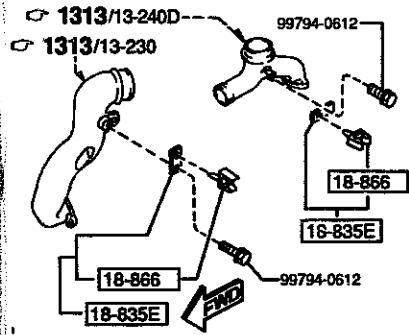
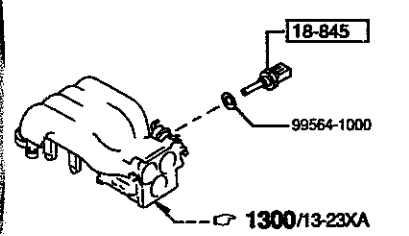
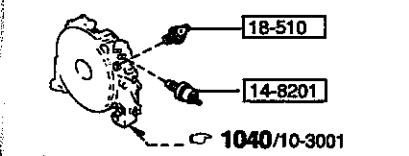
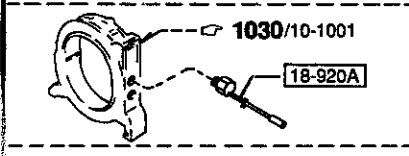
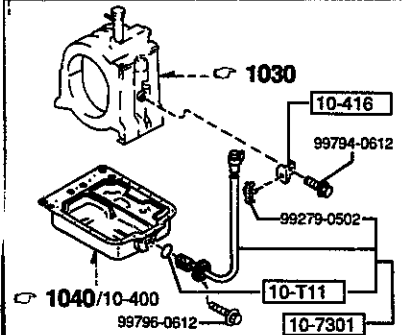


PART NO.	QTY	MODEL/RESTRICTION	MODEL/RESTRICTION	MODEL/RESTRICTION	FROM-TO
CONT'D FD01-69-842	4				
↑-----↑ 74-030L ↓-----↓		HOSE, DRAIN-REAR			
FD04-69-922	2				

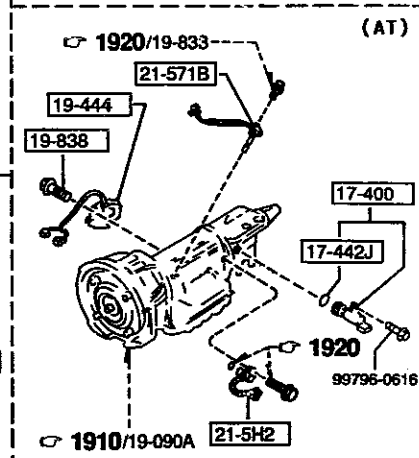
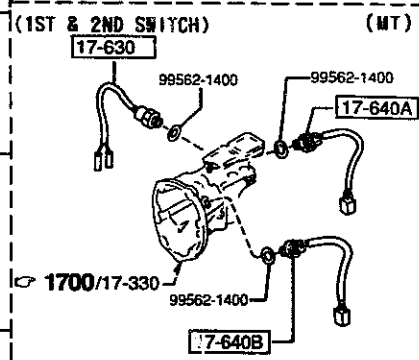
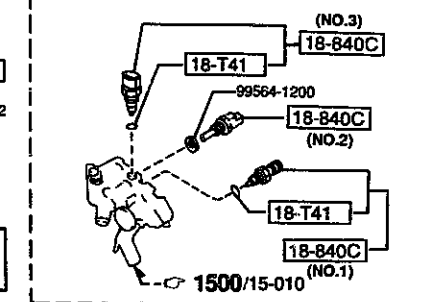


AUFA05

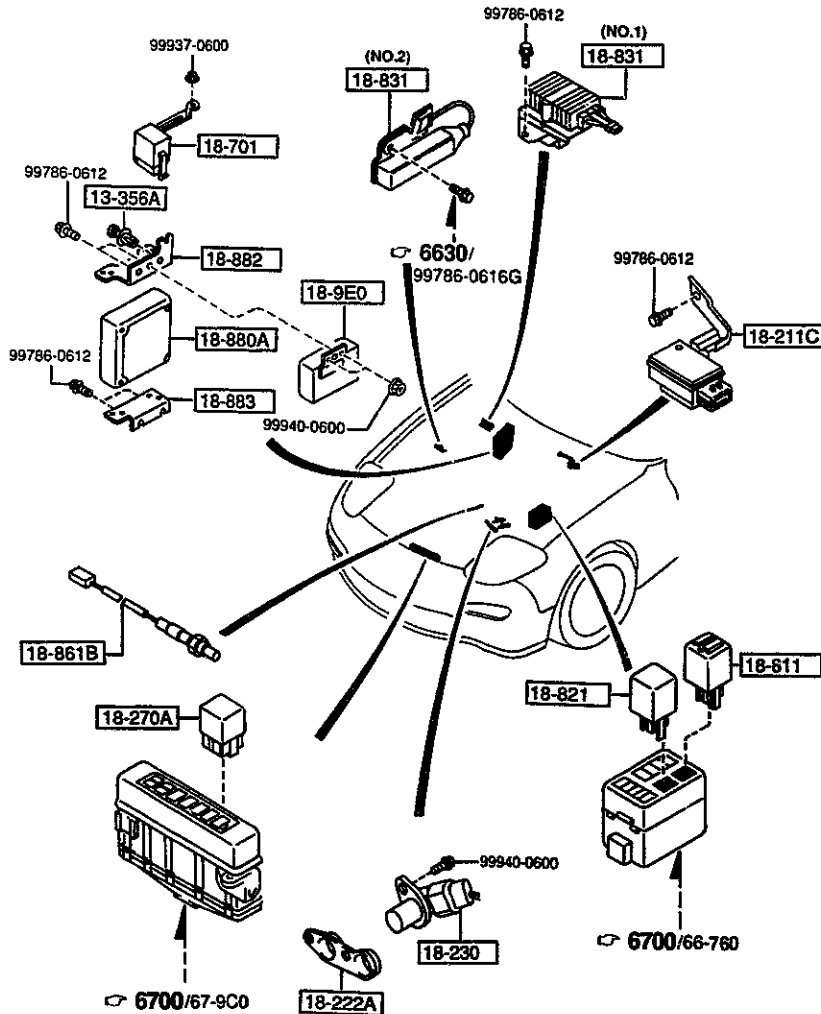
-291-



AUFA05



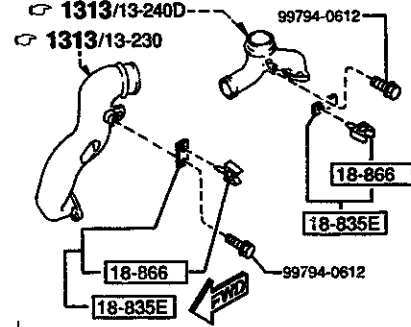
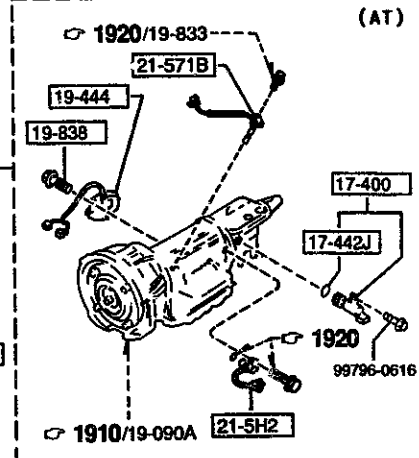
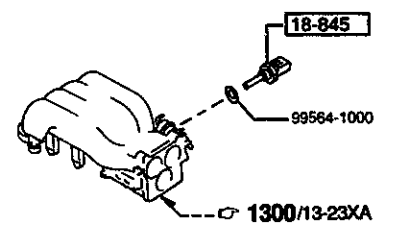
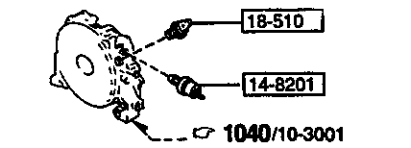
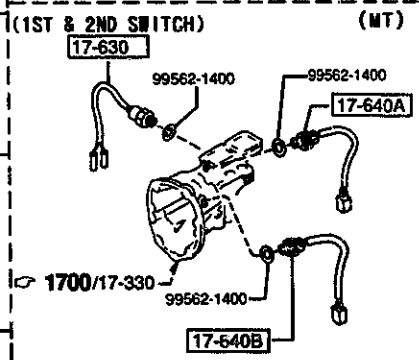
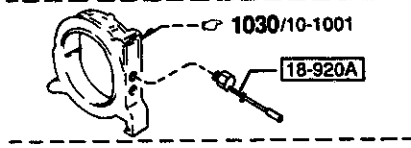
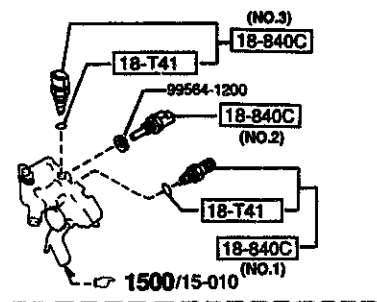
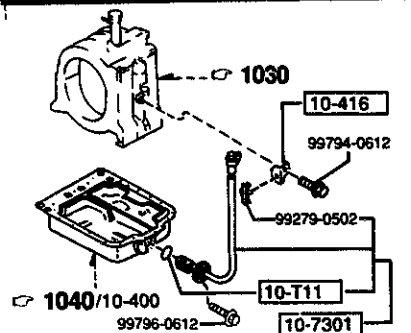
-292-



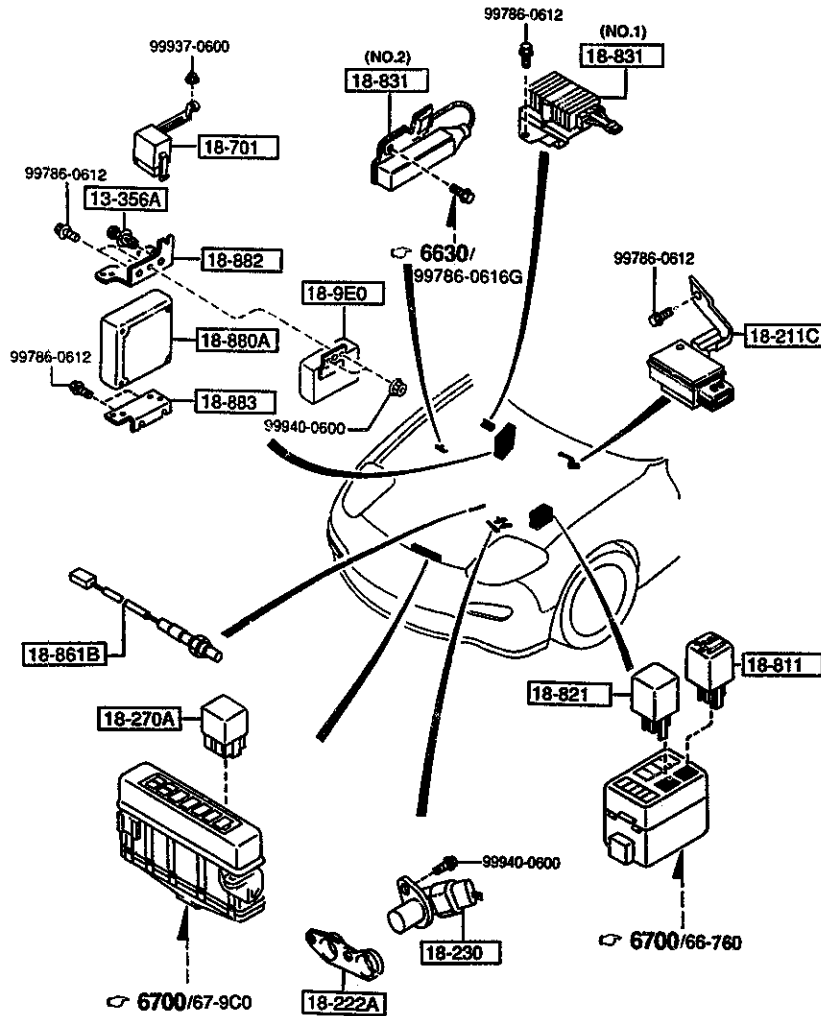
PART NO.	QTY	MODEL/RESTRICTION	MODEL/RESTRICTION	MODEL/RESTRICTION	FROM-TO
10-T11 N326-10-T11	1	RING, 'O'-OIL LEVEL S ENSOR			
10-416 N3A1-10-416	1	PLATE, LOCKING			
10-7301 N3A1-10-470	1	SENSOR, OIL LEVEL			
13-356A N304-13-356B	1	RIVET			
14-8201 N3A1-14-820	1	GAUGE UNIT, OIL PRES.			
17-400 *BV65-17-400	1 (AT)	GEAR SET, DRIVEN-SPEE D			
17-442J *1011-17-443	1 (AT)	RING, 'O'			
17-630 R506-17-640	1 (1ST & 2ND SWITCH) (MT)	SWITCH			
17-640A R507-17-640	1 (MT)	SWITCH, PARK & NEUTRA L			
17-640B R508-17-640	1 (MT)	SWITCH, BACK UP LAMP			
18-T41 F8B5-18-T41	1 (MT)	RING, 'O'-WATER THERM O SW.			
18-T41 F8B5-18-T41	2 (AT)				
18-211C N3A1-18-211	1	SENSOR, M. A. P.			
18-222A N3A1-18-222	1	PLATE, SENSOR			

6600 SWITCHES & RELAYS (ENGINE)

(2/2)



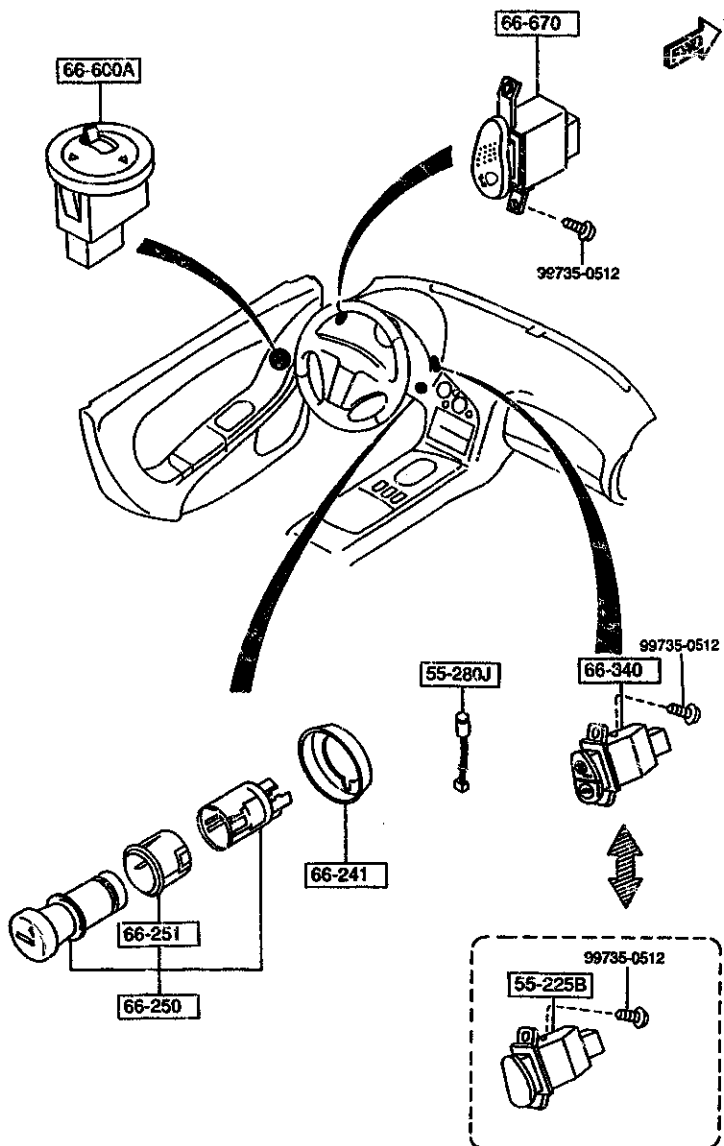
PART NO.	QTY	MODEL/RESTRICTION	MODEL/RESTRICTION	MODEL/RESTRICTION	FROM-TO
18-250		SENSOR, CRANKSHAFT POS.			
N3A1-18-221	2				
18-270A		RELAY, FUEL PUMP			
NF01-18-821	1				
18-510		UNIT, HEAT GAUGE PANASONIC			
JE15-18-51X	1				
18-510		UNIT, HEAT GAUGE PANASONIC			
KL01-18-51X	1				
18-701		CONTROL UNIT			
N3A1-18-701	1				
18-811		RELAY, MAIN DENSO			
JE16-18-811	1				
18-821		RELAY, FUEL PUMP			
NF02-18-821A	1				
18-831		RESISTOR			
N3A1-18-831	1	(ILLUST. NO.1)			
N3A2-18-831A	1	(ILLUST. NO.2) (AT)			
18-835E		BRACKET, BOOST SENSOR			
N3A1-18-835	2				
18-840C		SENSOR, TEMP.-ENG. COOLANT DENSO			
F202-18-840A	1	(ILLUST. NO.1)			
NF02-18-840	1	(ILLUST. NO.2)			
N370-18-840	1	(ILLUST. NO.3) (AT)			
18-845		SENSOR, IN. AIR TEMP			
N3A1-18-845	1				
18-861B		SENSOR, OXYGEN			
N3A1-18-861A	1				



PART NO.	QTY	MODEL/RESTRICTION	MODEL/RESTRICTION	MODEL/RESTRICTION	FROM-TO
18-866		CLIP			
E5A1-18-867	2				
18-880A		MODULE, POWERTRAIN CO NTROL			
N3A3-18-881B	1	(CALIF.) (MT)			
N3A4-18-881C	1	(CALIF.) (AT)			
N3C1-18-881A	1	(FED.) (MT)			
N3C2-18-881A	1	(FED.) (AT)			
18-882		BRACKET, CONTROL UNIT			
N3A2-18-882	1				
18-883		BRACKET, CONTROL UNIT			
N3A2-18-883	1				
18-9E0		MODULE, PWT. CONTROL			
N3A2-18-9E1B	1	(AT)			
18-920A		SENSOR, KNOCK			
N3A1-18-921	1				
19-444		SWITCH, INHIBITOR			
BV65-19-444A	1	(AT)			
19-838		BOLT-HEX, HD WASHER			
BV11-19-429	3	(AT)			
21-5H2		SENSOR, REVOLUTION			
BV65-21-5H2	1	(AT)			
21-571B		GENERATOR, SPEED PULS E			
BV65-21-5H1	1	(AT)			

6610

## DASHBOARD SWITCHES



## 6610 -1 \* DASHBOARD SWITCHES

PART NO.	QTY	MODEL/RESTRICTION	MODEL/RESTRICTION	MODEL/RESTRICTION	FROM-TO
55-225B		COVER, HOLE			
FD03-55-225	1	(HARD SUSP)			
00	INT-	FE5 FE6 FE7 BLACK			
55-280J		BULB			
B456-60-223	1				
66-241		PROTECTOR			
FD01-66-241	1				
66-250		LIGHTER, CIGAR			
P100-66-250	1				
66-251		RING, ILLUMINATION			
UB40-66-251	1				
66-340		SWITCH, MAIN			
FD01-66-340	1	(NOR. SUSP)			
66-600A		SWITCH, RMT. MIRROR			
FD01-66-600A	1				
66-670		SWITCH, RETRACTOR			
FD01-66-670	1				

AUFA05

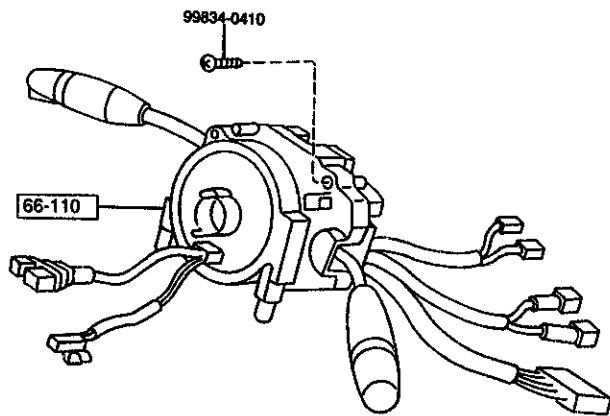
CAT. AUFA05-03

1995-03

3-J 6

6611 COMBINATION SWITCH

6611 -1 \* COMBINATION SWITCH

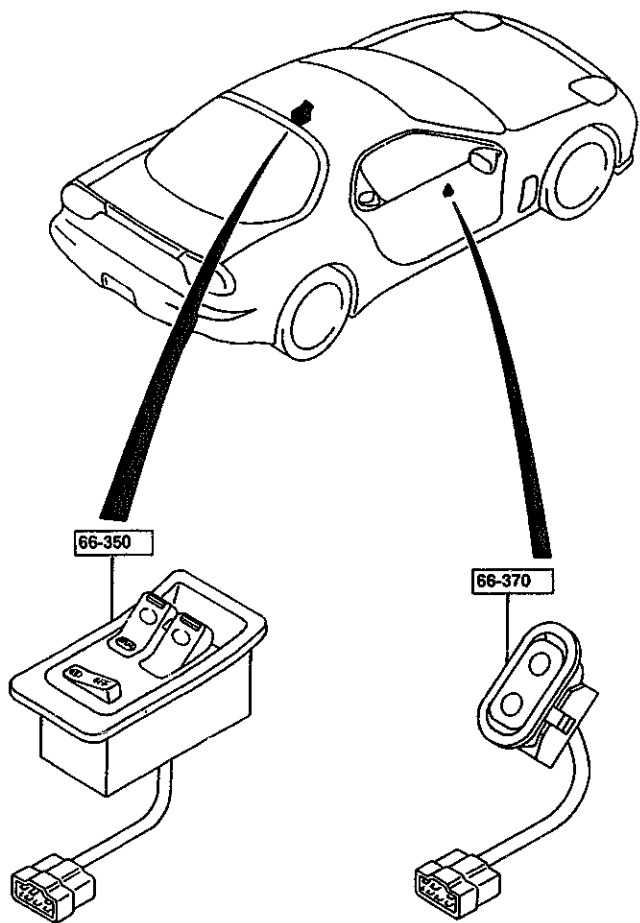


The inner parts of the combination switch with air bag are not serviced separately.

PART NO.	QTY	MODEL/RESTRICTION	MODEL/RESTRICTION	MODEL/RESTRICTION	FROM-TO
66-110		SWITCH, COMBINATION			
FD01-66-120E	1	(W/O SUN-RF) (STEEL SUN-RF)			
FD04-66-120D	1	(GLASS SUN-RF)			

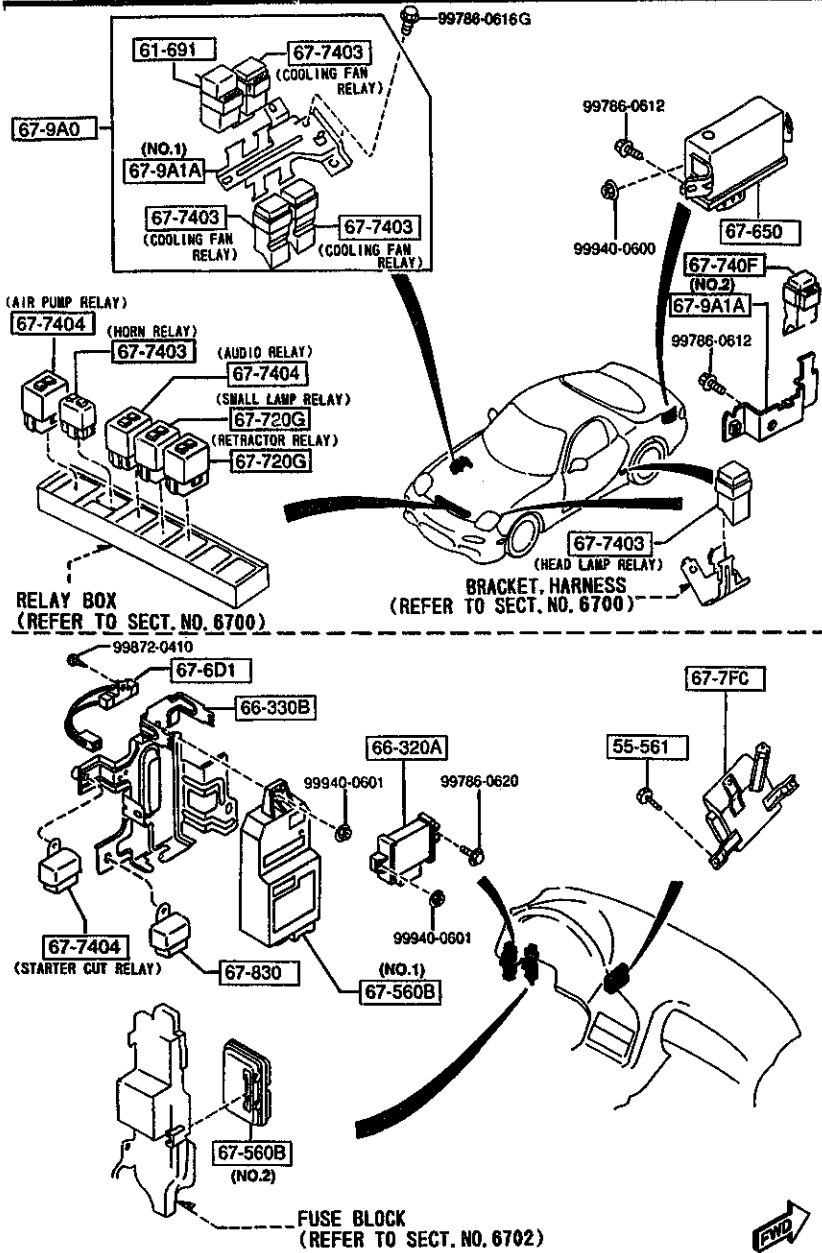


6615 POWER WINDOW SWITCHES



PART NO.	QTY	MODEL/RESTRICTION	MODEL/RESTRICTION	MODEL/RESTRICTION	FROM-TO
66-350		SWITCH, POWER WINDOW			
FD14-66-350C	1				
66-370		SWITCH, POWER WINDOW			
FD01-66-370A	1				

6630 RELAYS & UNIT (BODY)



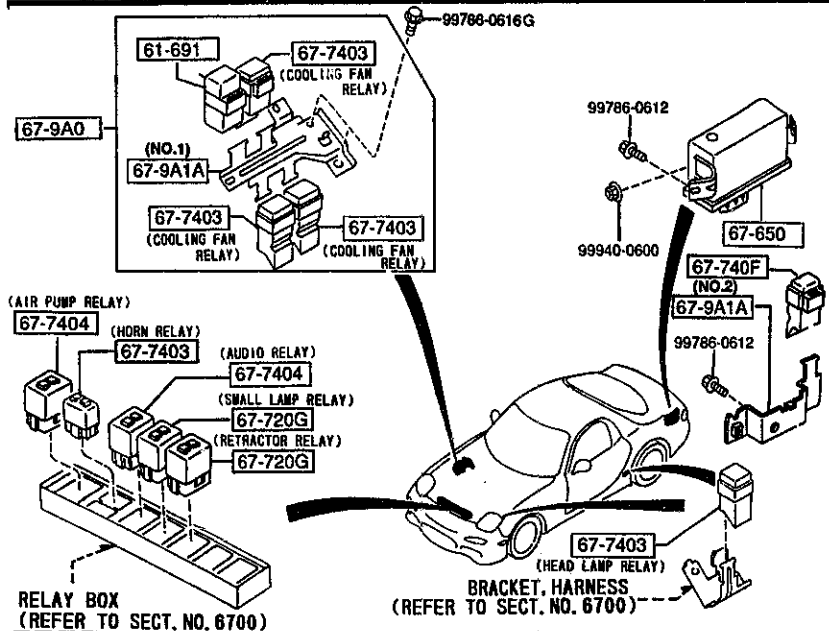
PART NO.	QTY	MODEL/RESTRICTION	MODEL/RESTRICTION	MODEL/RESTRICTION	FROM-TO
55-561	3	BOLT, INST. PANEL			
B455-55-561	3				
61-691	1	RELAY			
H380-61-690A	1				
66-320A	1	UNIT, A.C. CONTROL (NDR. SUSP)			
FD01-66-320A	1				
66-330B	1	BRACKET, A.C.C. BOX			
FD01-67-BCXB	1				
67-560B	1	UNIT, CENTRAL PROCESSING (ILLUST. NO.2) (MT)			
FD01-67-580	1				
FD02-67-580	1	(ILLUST. NO.2) (AT)			
FD01-67-560A (FD01-67-560B)	1				-4401
FD01-67-560B	1	(ILLUST. NO.1) (W/O DAY RUNNING LAMP)			4401-
67-6D1	1	RESISTOR, INTERLOCK			
M020-67-6D1	1	(AT)			
67-650	1	BOX, CONTROL-A. B. S.			
FD03-67-650	1				
67-7F0	1	UNIT, DIAGNOSIS-AIR BAG			
FD15-67-7F0	1				
67-720G	2	RELAY, TRANSFER (RETRACTOR RELAY) (SMALL LAMP RELAY)			
KA32-67-720	2				
67-740F	1	CONTROL, COOLANT FAN			
H450-67-740	1				
67-7403	1	RELAY, N.O.			
GE10-67-730	1	(HEAD LAMP RELAY)			
KE10-67-730	3	(COOLING FAN RELAY)			
4401 FB333*-303310					

AUFA05

CAT. AUFA05-03

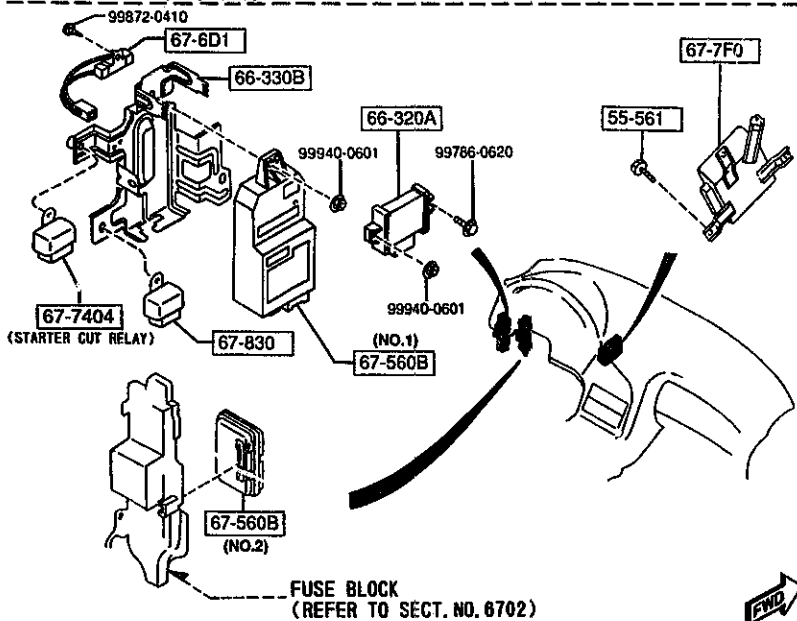
1995-03

6630 RELAYS & UNIT (BODY)



RELAY BOX  
(REFER TO SECT. NO. 6700)

BRACKET, HARNESS  
(REFER TO SECT. NO. 6700)

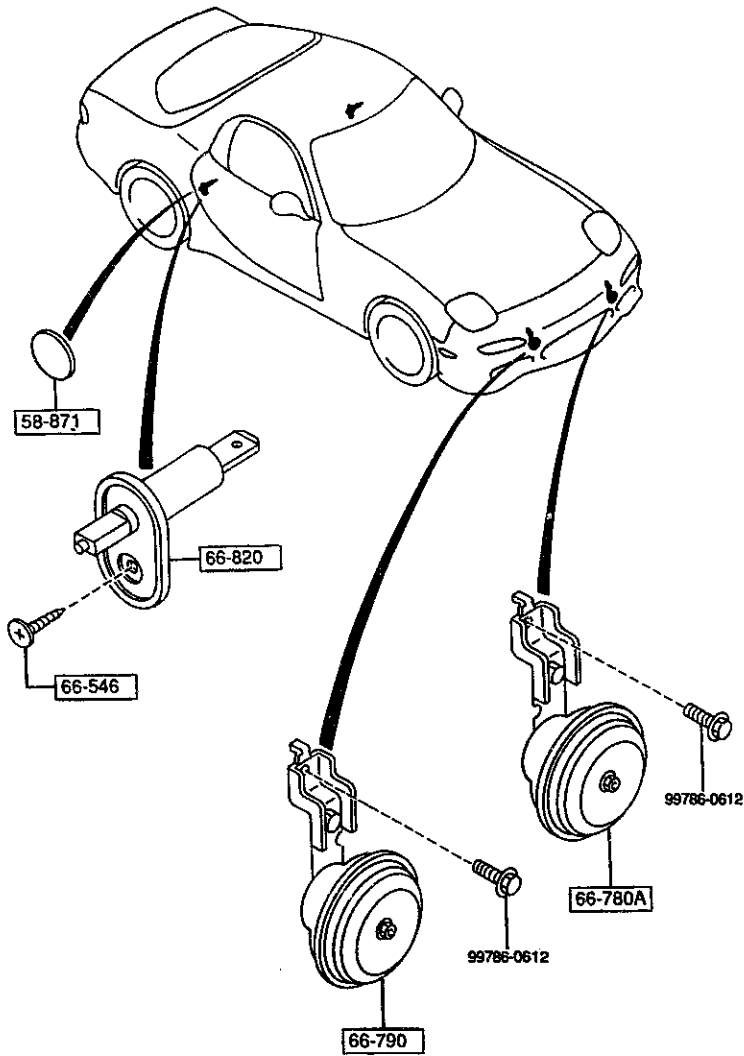


FUSE BLOCK  
(REFER TO SECT. NO. 6702)

PART NO.	QTY	MODEL/RESTRICTION	MODEL/RESTRICTION	MODEL/RESTRICTION	FROM-TO
CONT'D LA10-67-740					
10A (HORN RELAY)	1				
67-7404		RELAY, TRANSFER			
HD22-67-740	1	(AIR PUMP RELAY) (W/O SUN-RF) (STEEL SUN-RF)			
HD22-67-740	2	(AIR PUMP RELAY) (AUDIO RELAY) (GLASS SUN-RF)			
H302-67-740	20A	(STARTER CUT RELAY)			
67-830		UNIT, DOOR LOCK & TIMER			
FC33-67-830	1				
67-9A0		BRACKET & RELAY			
FD01-67-9B0A	1				
67-9A1A		BRACKET, RELAY			
FD01-67-9B1A	1	(ILLUST. NO.1)			
F100-67-9C1A	1	(ILLUST. NO.2)			

6635 DOOR SWITCH & HORNS

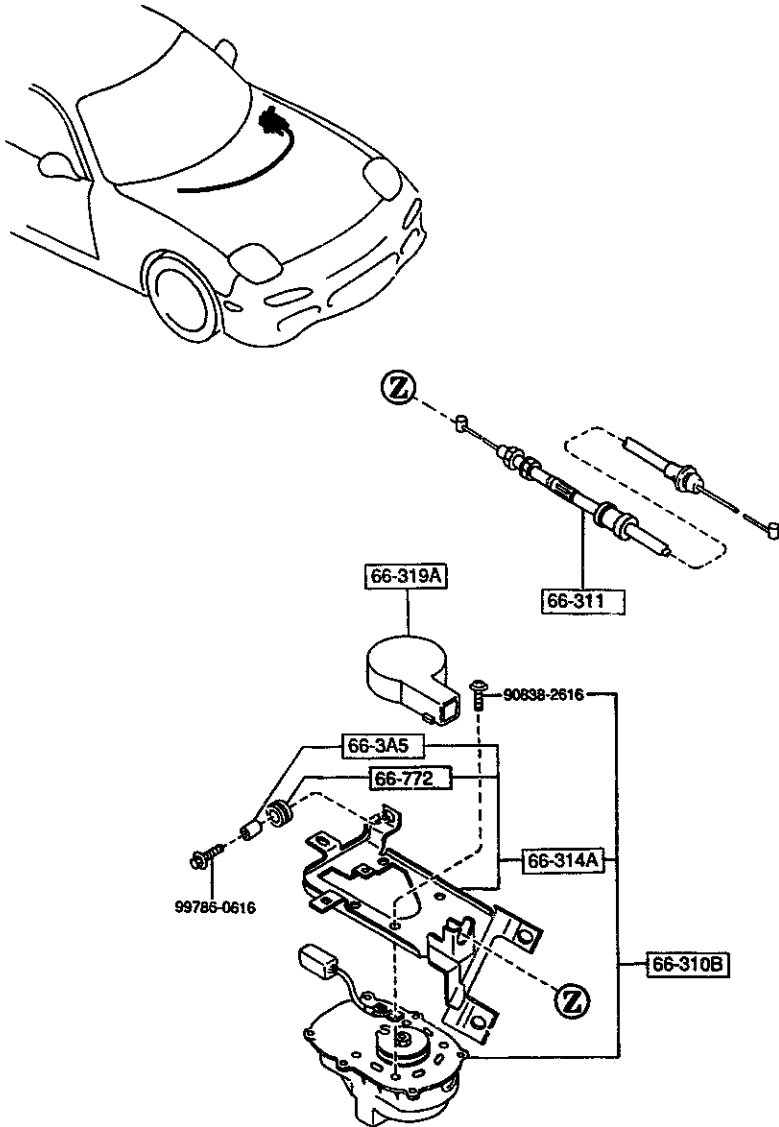
6635 -1 \* DOOR SWITCH & HORNS



PART NO.	QTY	MODEL/RESTRICTION	MODEL/RESTRICTION	MODEL/RESTRICTION	FROM TO
58-871 EA01-66-547A	2	PROTECTOR, DOOR SWITCH			
66-546 LA01-66-546	2	SCREW, DOOR SWITCH			
66-780A F100-66-780A	1	HORN, HIGH TONE			
66-790 FD01-66-790A	1	HORN, LOW TONE			
66-820 B455-66-540	2	SWITCH, DOOR			

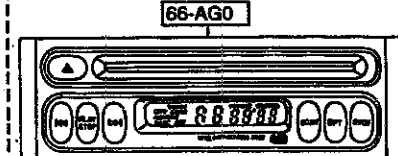
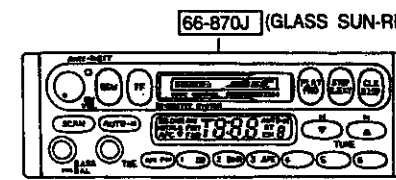
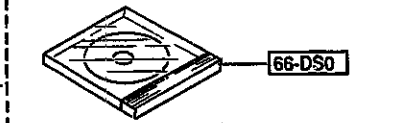
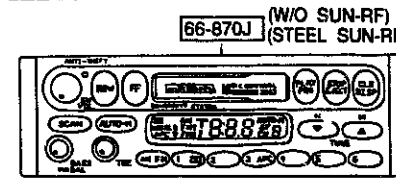
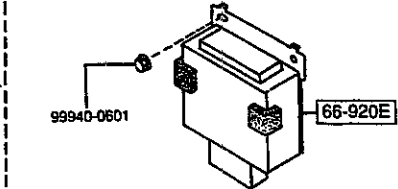
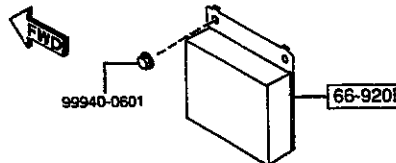
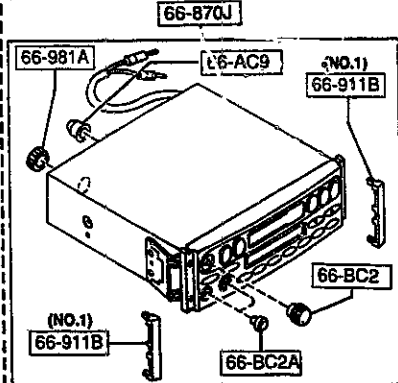
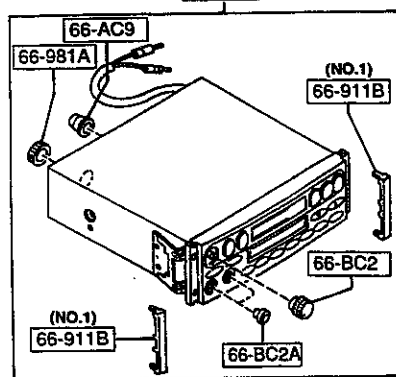
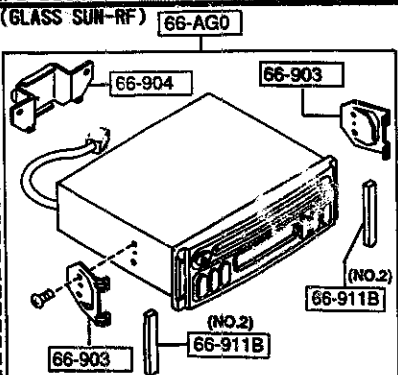
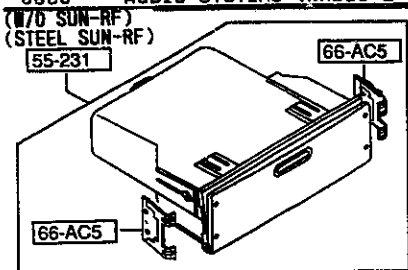
6640 -1 \* AUTO CRUISE CONTROL SYSTEM

6640 AUTO CRUISE CONTROL SYSTEM



PART NO.	QTY	MODEL/RESTRICTION	MODEL/RESTRICTION	MODEL/RESTRICTION	FROM-TO
66-3A5		SPACER, ACTUATOR			
UE54-66-3A5	3	(NOR. SUSP)			
66-310B		ACTUATOR, A.C.C.			
FD01-66-310C	1	(NOR. SUSP)			
66-311		WIRE, A.C.C.			
FD01-66-311B	1	(NOR. SUSP)			
66-314A		BRACKET, A.C.C.			
FD02-66-3AXC	1	(NOR. SUSP)			
66-319A		COVER, ACTUATOR			
GN55-66-319D	1	(NOR. SUSP)			
66-772		GROMMET			
UE54-66-3A4	3	(NOR. SUSP)			

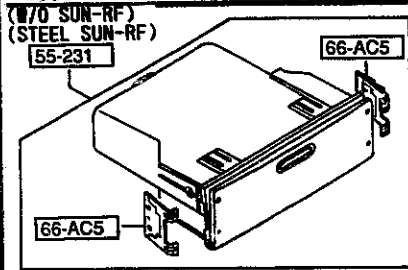
6680 AUDIO SYSTEMS (RADIO & TAPE DECK)



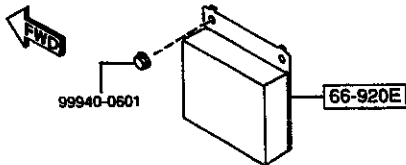
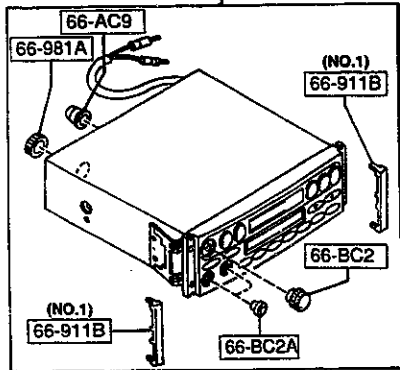
PART NO.	QTY	MODEL/RESTRICTION	MODEL/RESTRICTION	MODEL/RESTRICTION	FROM-TO
55-231		ORNAMENT, STEREO			
FD01-66-9M0D	1	(W/O SUN-RF) (STEEL SUN-RF)			
66-AC5		SPRING, AUDIO			
E016-66-AC5	2	(W/O SUN-RF) (STEEL SUN-RF)			
66-AC9		RUBBER, REAR-ET/ED CD MBI.			
FD01-66-AC9	1				
66-AGO		PLAYER, COMPACT DISC			
FD04-66-9G0B	1	(GLASS SUN-RF)			
66-BC2		KNOB, VOLUME-TUNER & DECK			
FD01-66-BC1	1				
66-BC2A		KNOB, BASS/TREBLE			
FD01-66-BC2	2				
66-DS0		CD SOFT			
F105-66-DS0	1				
66-870J		AUDIO SET			
FD01-66-9C0B	1	(W/O SUN-RF) (STEEL SUN-RF)			
FD04-66-9C0B	1	(GLASS SUN-RF)			
66-903		BRACKET, TUNER			
*FD04-66-AW1	2	(GLASS SUN-RF)			
66-904		BRACKET, REAR			
FD04-66-AW6	1	(GLASS SUN-RF)			
66-911B		COVER, HOLE			
FD01-66-BC4	2	(ILLUST. NO.1)			
FD04-66-BC4	2	(ILLUST. NO.2) (GLASS SUN-RF)			
66-920E		AMP, POWER-FRONT			
FD01-66-920A	1	(W/O SUN-RF) (STEEL SUN-RF)			

6680 -2 \* AUDIO SYSTEMS (RADIO & TAPE DECK)

6680 AUDIO SYSTEMS (RADIO & TAPE DECK)



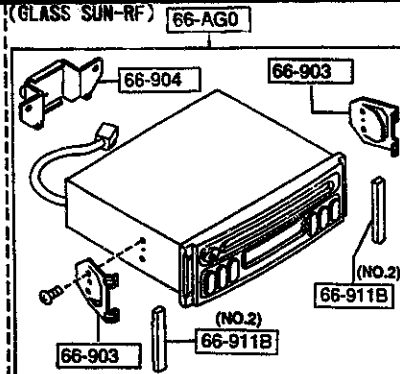
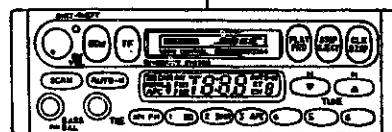
66-870J



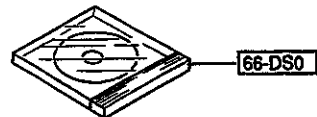
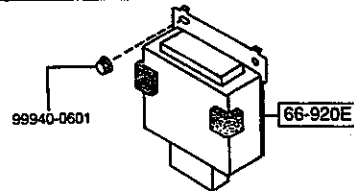
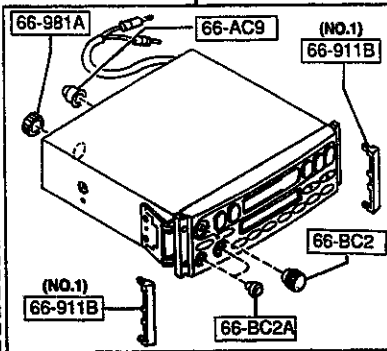
66-870J (W/O SUN-RF)  
(STEEL SUN-RF)



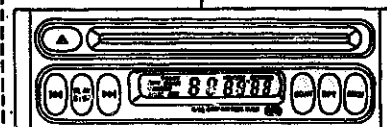
66-870J (GLASS SUN-RF)



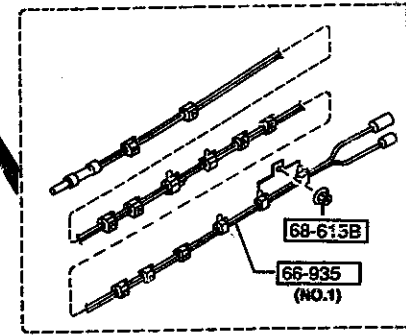
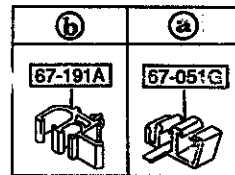
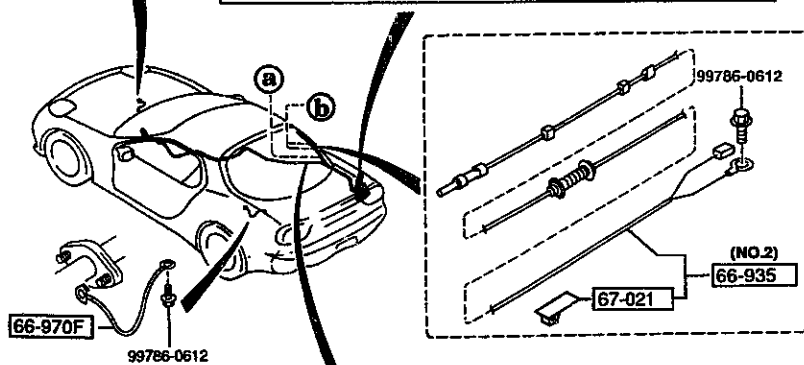
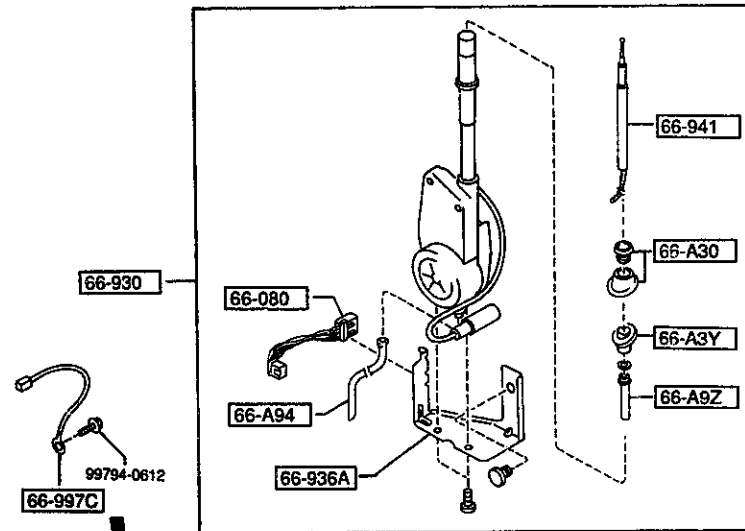
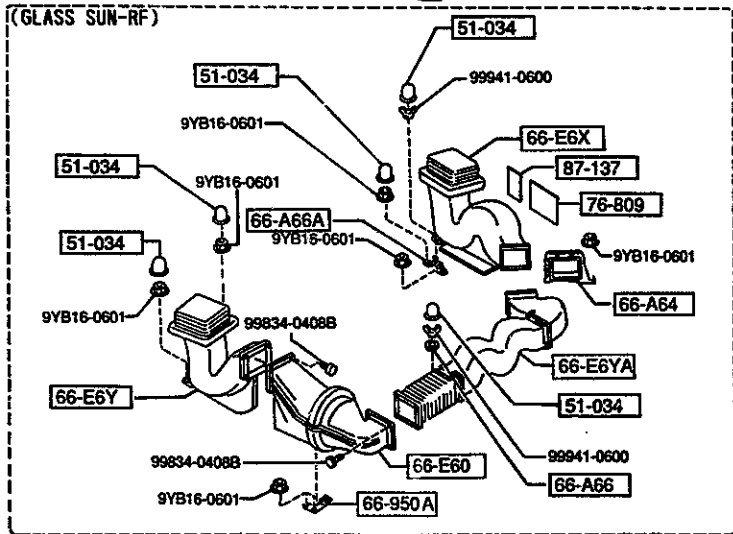
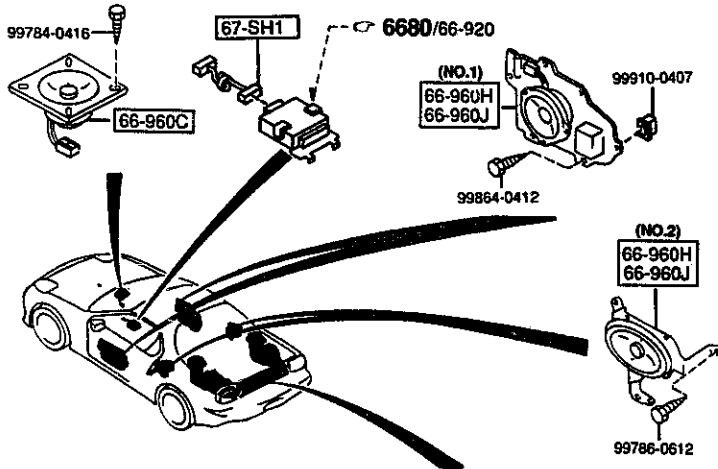
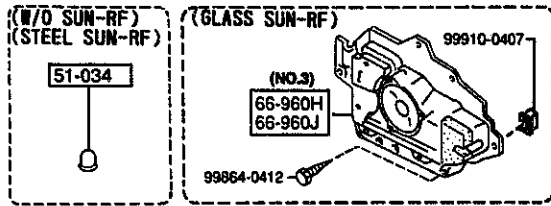
66-870J



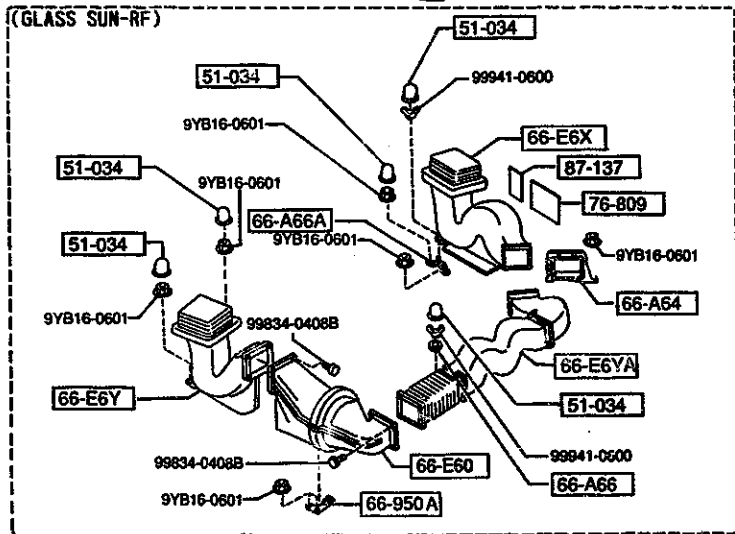
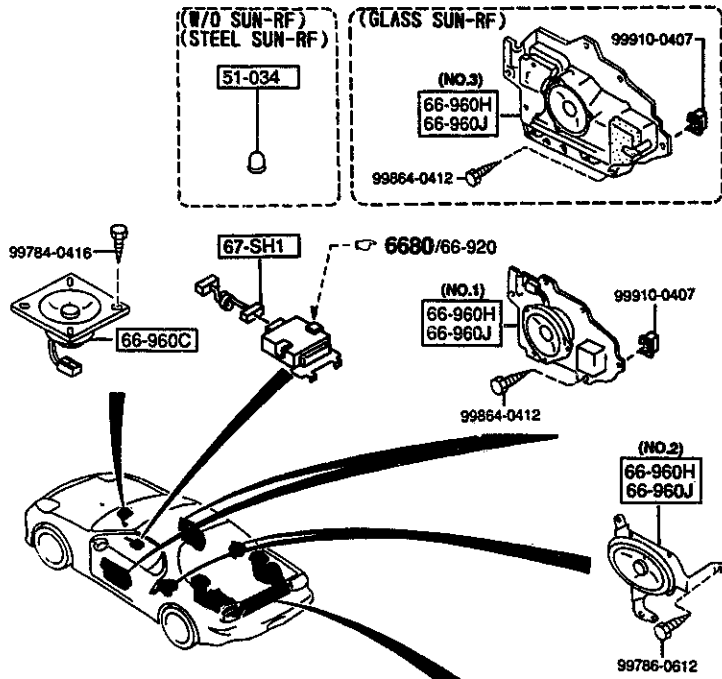
66-AG0



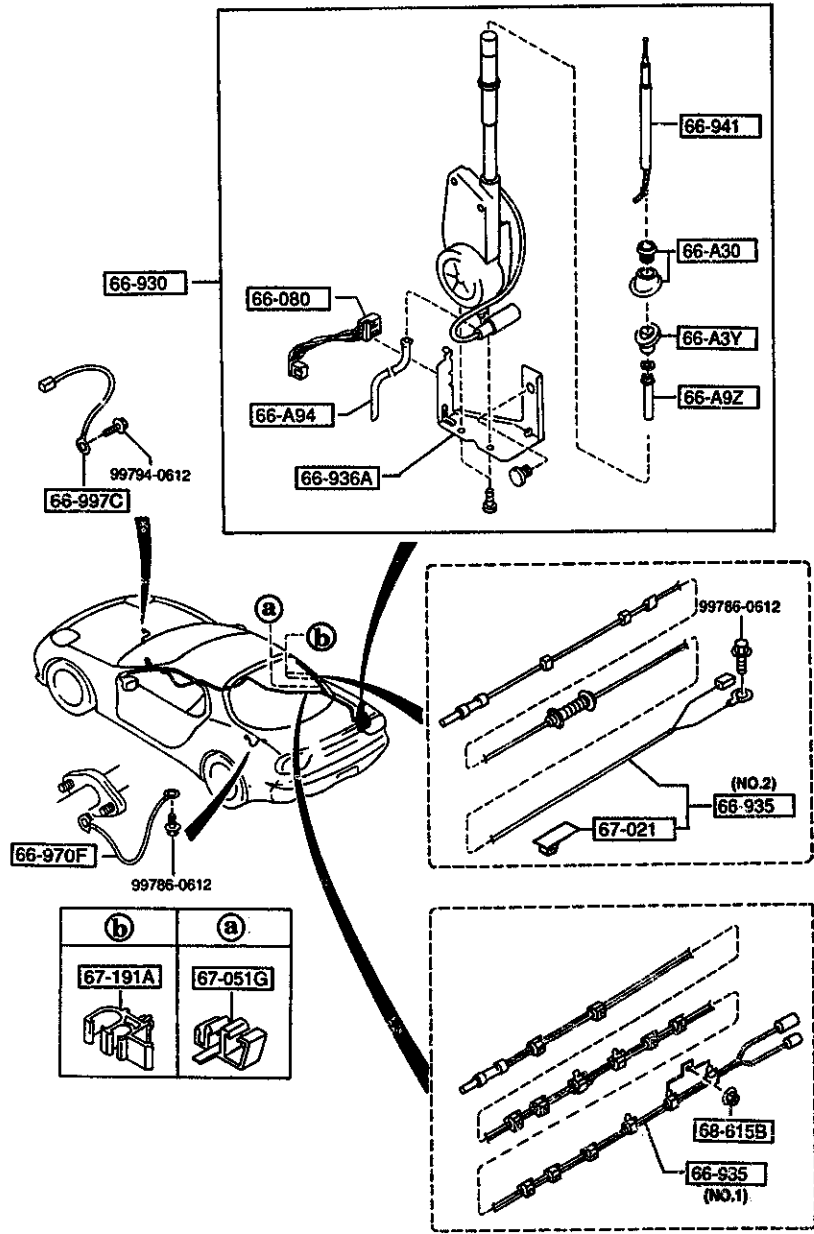
PART NO.	QTY	MODEL/RESTRICTION	MODEL/RESTRICTION	MODEL/RESTRICTION	FROM-TO
CONT'D FD04-66-920A	1	(GLASS SUN-RF)			
66-981A		CONNECTOR, SHORT			
FD01-66-BC9	1				



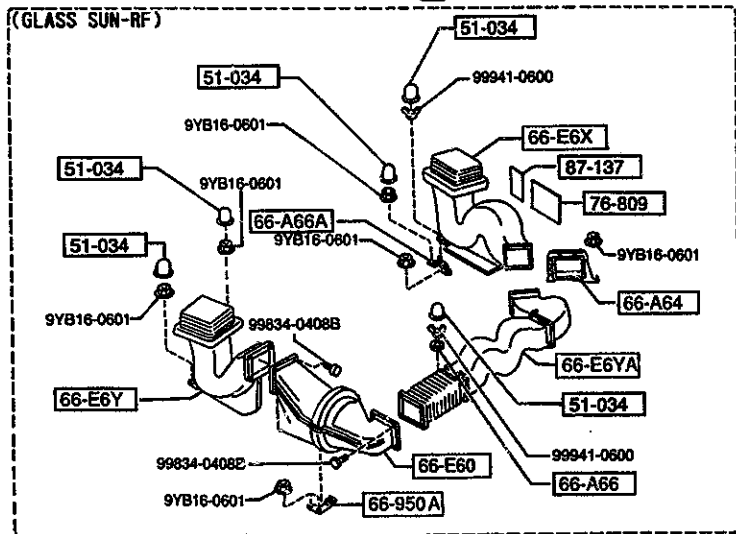
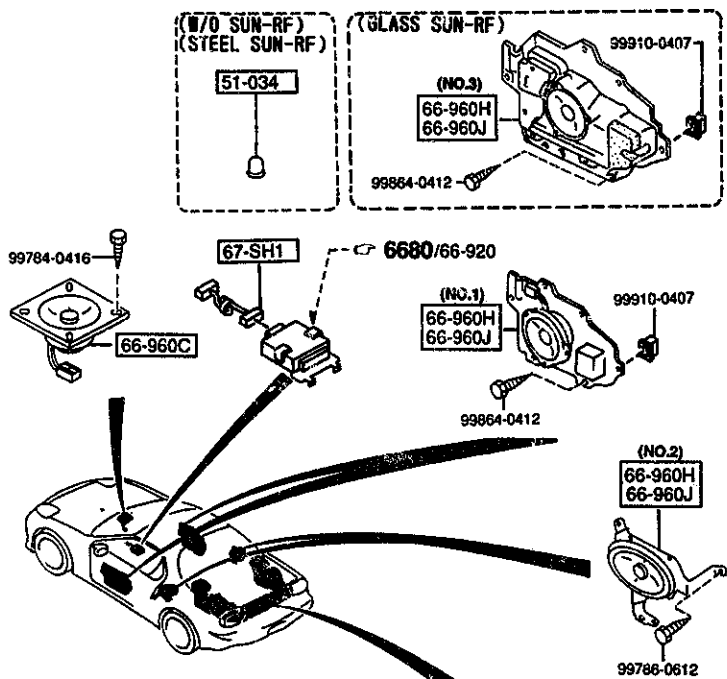




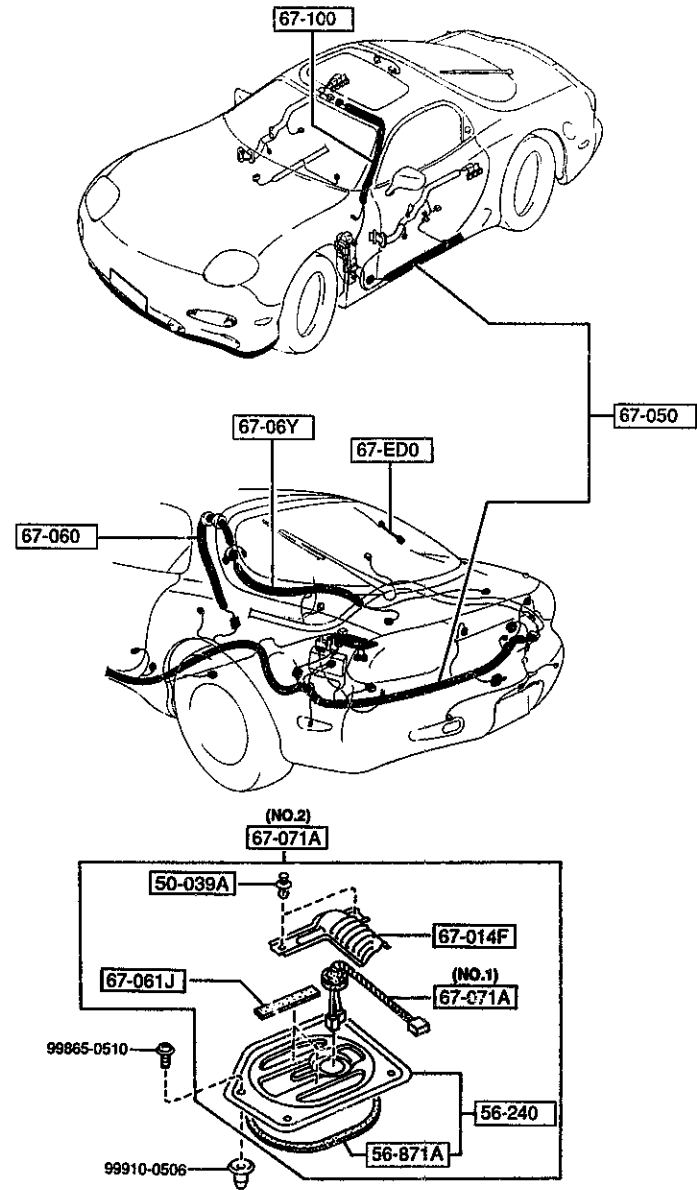
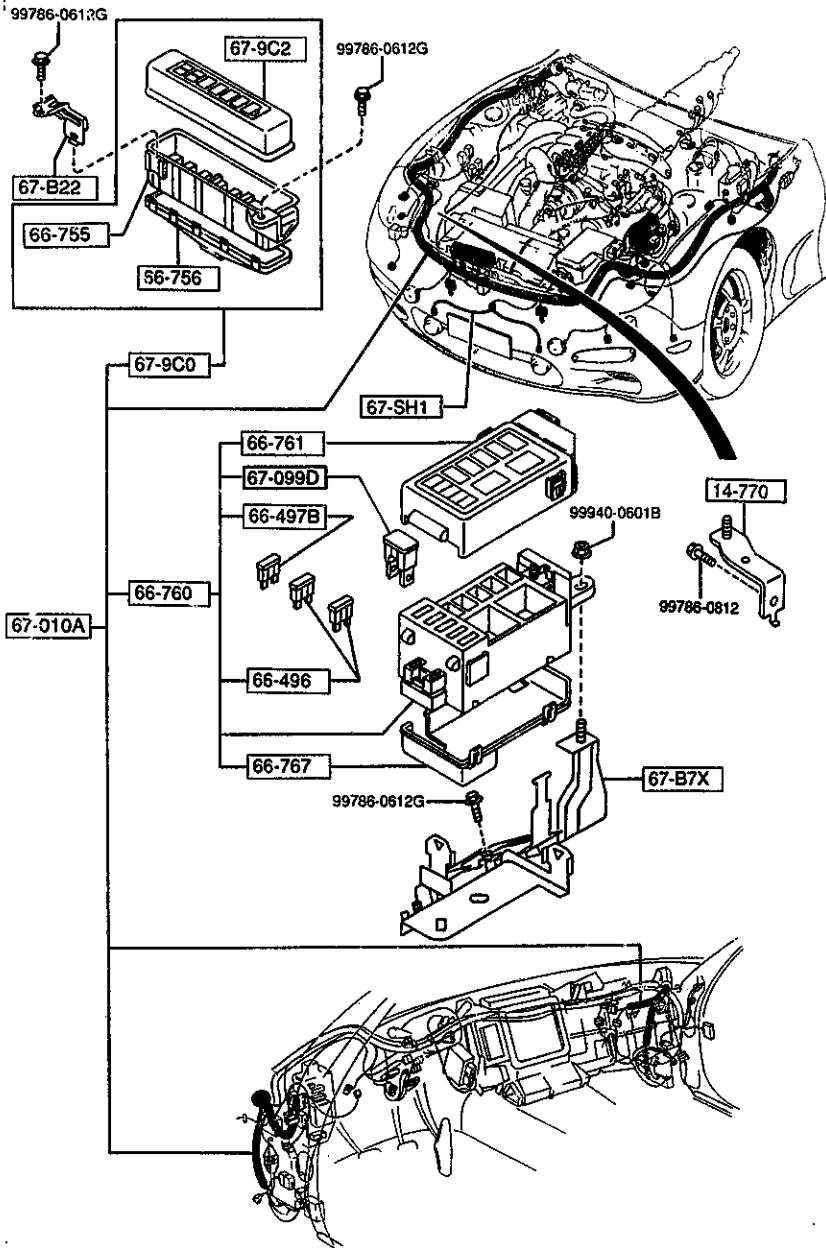
PART NO.	QTY	MODEL/RESTRICTION	MODEL/RESTRICTION	MODEL/RESTRICTION	FROM-TO
51-034		CAP			
H380-51-013	5	(GLASS SUN-RF)			
H380-51-013	8	(W/D SUN-RF) (STEEL SUN-RF)			
66-A3Y		PLATE, EARTH-MOTOR AN TENNA			
FD01-66-A3Z	1				
66-A30		NUT, MOUNTING-ANTENNA			
FD01-66-A9Y	1				
66-A64		BRKT, JOINT-SPEAKER D UCT			
FD10-66-A64A	1	(GLASS SUN-RF)			
66-A66		WASHER, SPEAKER			
FD09-66-A66	1	(GLASS SUN-RF)			
66-A66A		BRACKET, DUCT SPEAKER			
FD10-66-A66	1	(GLASS SUN-RF)			
66-A9Z		INSULATOR, ROD-ANTENN A			
FD01-66-A9Z	1				
66-A94		PIPE, DRAIN-ANTENNA			
FD01-66-A90	1				
66-E6X		DUCT 'A', REAR SPEAKER			
FD10-66-E6XC	1	(GLASS SUN-RF)			
66-E6Y		DUCT 'B', RR SPEAKER			
FD10-66-E6ZC	1	(GLASS SUN-RF)			
66-E6YA		DUCT 'C', RR SPEAKER			
FD10-66-E6YC	1	(GLASS SUN-RF)			
66-E60		SPEAKER, REAR			
FD10-66-960B	1	(GLASS SUN-RF)			
66-080		CORD			
FD01-66-D10	1				



PART NO.	QTY	MODEL/RESTRICTION	MODEL/RESTRICTION	MODEL/RESTRICTION	FROM-TO
66-930		ANTENNA, RADIO			
FD01-66-930B	1				
66-935		FEEDER-ANTENNA			
FD01-66-940B	1	(ILLUST. NO.1)			
FD02-66-940C	1	(ILLUST. NO.2)			
66-936A		BRKT, MOTOR-ANTENNA			
FD01-66-A9X	1				
66-941		POLE, ANTENNA			
FD01-66-A3X	1				
66-950A		BRACKET(L), SPEAKER			
FD10-66-A65A	1	(GLASS SUN-RF)			
66-960C		SPEAKER, FRONT			
FD01-66-960A	1	(W/O SUN-RF) (STEEL SUN-RF)			
FD04-66-960A	1	(GLASS SUN-RF)			
66-960H		SPEAKER(R), LOUD-DOOR			
FD15-66-96X	1	(ILLUST. NO.1) (W/O SUN-RF) (STEEL SUN-RF)			
FD17-66-96X	1	(ILLUST. NO.2) (W/O SUN-RF) (STEEL SUN-RF)			
FD09-66-960C	1	(ILLUST. NO.3) (GLASS SUN-RF)			
66-960J		SPEAKER(L), LOUD-DOOR			
FD15-66-96Y	1	(ILLUST. NO.1) (W/O SUN-RF) (STEEL SUN-RF)			
FD17-66-96Y	1	(ILLUST. NO.2) (W/O SUN-RF) (STEEL SUN-RF)			
FD08-66-960C	1	(ILLUST. NO.3) (GLASS SUN-RF)			
66-970F		CORD, EARTH			
FD01-66-997A	1				

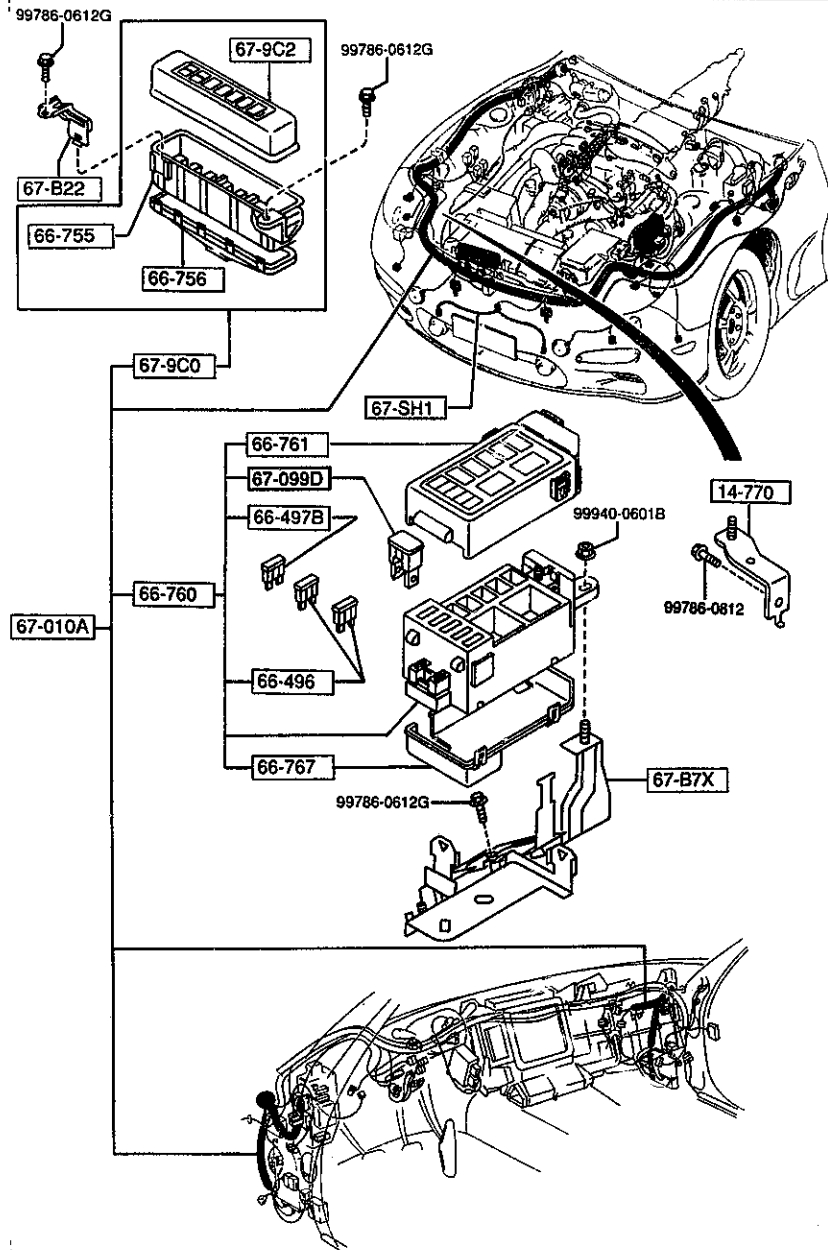


PART NO.	QTY	MODEL/RESTRICTION	MODEL/RESTRICTION	MODEL/RESTRICTION	FROM-TO
66-997C		CORD, EARTH-RADIO			
FD02-66-997A	1				
67-SH1		CORD, SHORT			
FD15-67-SH0	1				
67-021		CLIP			
B455-67-C21	1				
67-051G		CLIP			
B093-67-051	1				
67-191A		CLIP			
B467-67-CE1	2				
68-615B		NUT, FLANGE-CAP			
B100-68-615	1				
76-809		FELT			
FD08-66-E65A	1	(GLASS SUN-RF)			
87-137		FELT			
FD11-66-E65	2	(GLASS SUN-RF)			



6700 WIRING HARNESSES(FRONT & REAR )

(1/2)

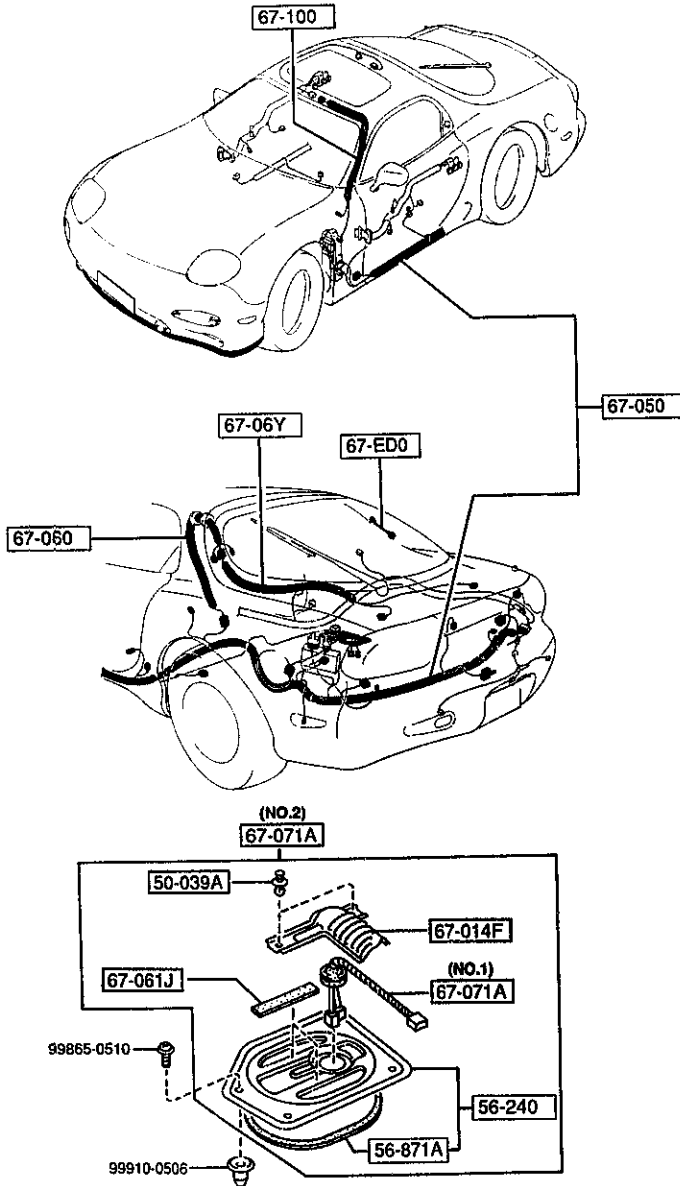


PART NO.	QTY	MODEL/RESTRICTION	MODEL/RESTRICTION	MODEL/RESTRICTION	FROM-TO
14-770 NSA2-14-770B	1	BRACKET,OIL COOLER ( (MT) > (NOR.SUSP) )			
50-039A F100-67-CH1	2	CLIP,PROTECTOR			
56-240 FD01-56-06XA	1	COVER			
56-871A FD01-56-06Z	1	RUBBER,SEAL			
66-496 99705-1115	2	FUSE(15A)			
66-497B 99705-1130	1	FUSE(30A)			
66-755 FD01-66-755C	1	CASE,RELAY BOX			
66-756 FD01-66-756	1	COVER,UNDER-RELAY BOX			
66-760 FD01-66-760B	1	BLOCK,MAIN FUSE			
66-761 FD01-66-761B	1	COVER,MAIN FUSE BLOCK			
66-767 FD01-66-767	1	COVER,UNDER-MAIN FUSE BLOCK			
67-B22 FD01-67-B12	1	BRACKET,HARNESS			
67-B7X FD05-67-B7XE	1	BRACKET,HARNESS			
67-ED0 FD01-67-ED0A	1	WIRE,EARTH-REAR DEFROSTER			

AUFA05

CAT. AUFA05-03

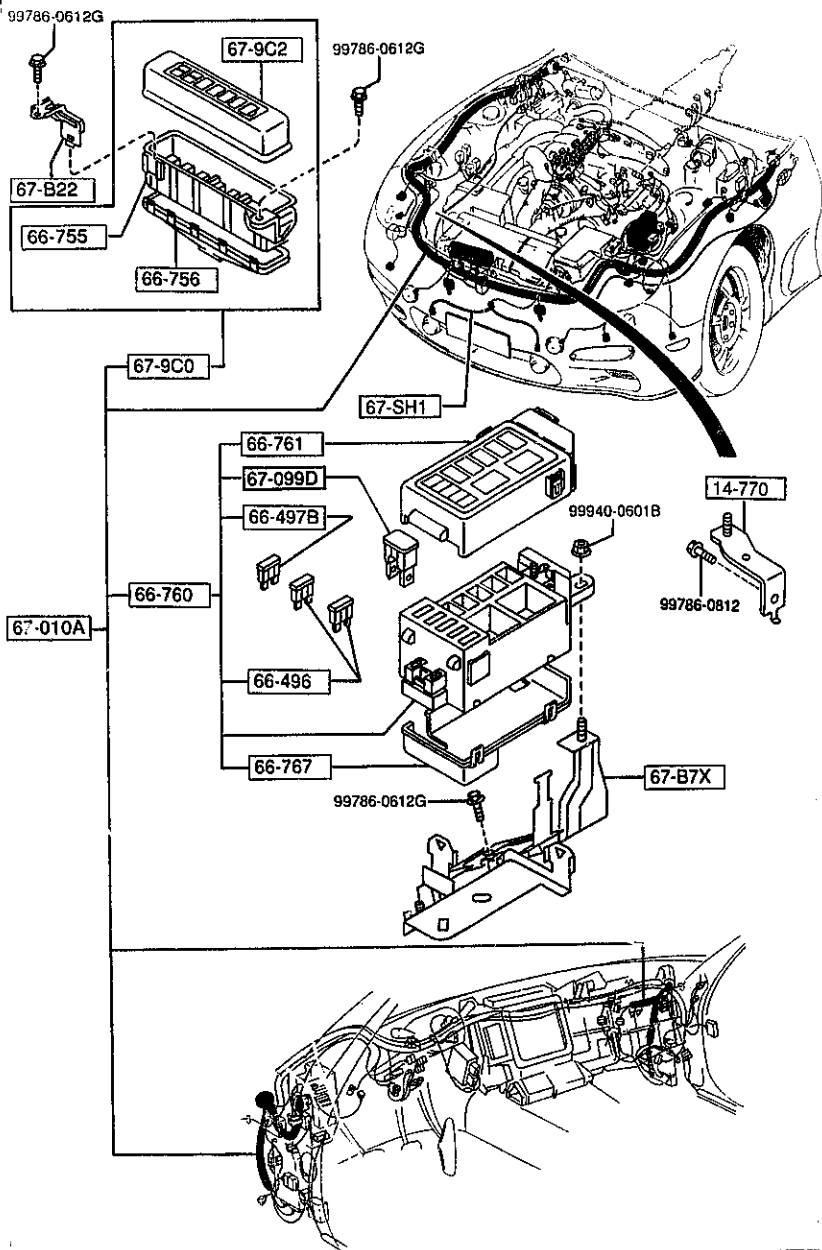
1995-03



PART NO.	QTY	MODEL/RESTRICTION	MODEL/RESTRICTION	MODEL/RESTRICTION	FROM-TO
67-SH1		CORD, SHORT			
F100-67-SH0D	1	(GLASS SUN-RF)			
67-010A		HARNESS, FRONT			
FD15-67-010C A (FD15-67-010F)	1				-3A01
FD17-67-010C A (FD17-67-010F)	1				-3A01
FD15-67-010F	1	(MT)			3A01-
FD17-67-010F	1	(AT)			3A01-
67-014F		PROTECTOR, HARNESS			
F100-67-PS1	1				
67-050		HARNESS, REAR			
FD15-67-050B	1	(W/O SUN-RF) (STEEL SUN-RF)			
FD18-67-050B	1	(GLASS SUN-RF)			
67-06Y		HARNESS NO. 3, REAR			
FD01-67-06YE	1	(W/O SUN-RF) (STEEL SUN-RF)			
FD04-67-06YF	1	(GLASS SUN-RF)			
67-060		HARNESS NO. 2, REAR			
FD01-67-060E	1	(W/O SUN-RF) (STEEL SUN-RF)			
FD04-67-060D	1	(GLASS SUN-RF)			
67-061J		PAD, PROTECTOR-HARNES			
F100-67-PP1	2				
67-071A		CORD			
F100-67-071F	1	(ILLUST. NO.1)			
F100-67-270A	1	(ILLUST. NO.2)			
67-099D		FUSE(60A)			
FB01-67-099	4	60A			
67-100		HARNESS, INT. LAMP			
FD01-67-100D	1	(W/O SUN-RF)			
3A01 FD333*-300888					

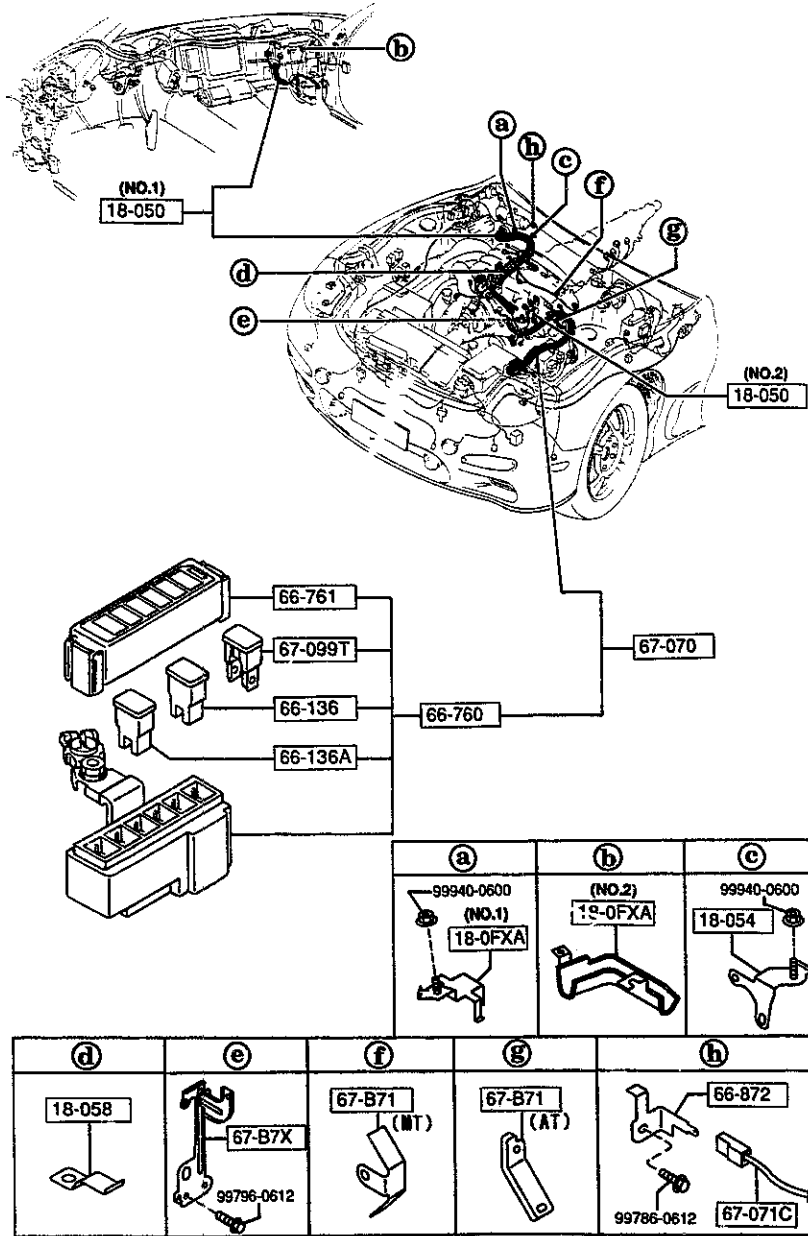
6700 WIRING HARNESSSES(FRONT & REAR )

(1/2)



PART NO.	QTY	MODEL/RESTRICTION	MODEL/RESTRICTION	MODEL/RESTRICTION	FROM-TO
CONT'D FD04-67-100D	1	(STEEL SUN-RF) (GLASS SUN-RF)			
↑-----↑ 67-9C0 ↑-----↑		BOX, RELAY-FRONT HARNESS			
FD15-66-750	1				
↑-----↑ 67-9C2 ↑-----↑		COVER, RELAY BOX-F.HARNNESS			
FD15-66-752	1				

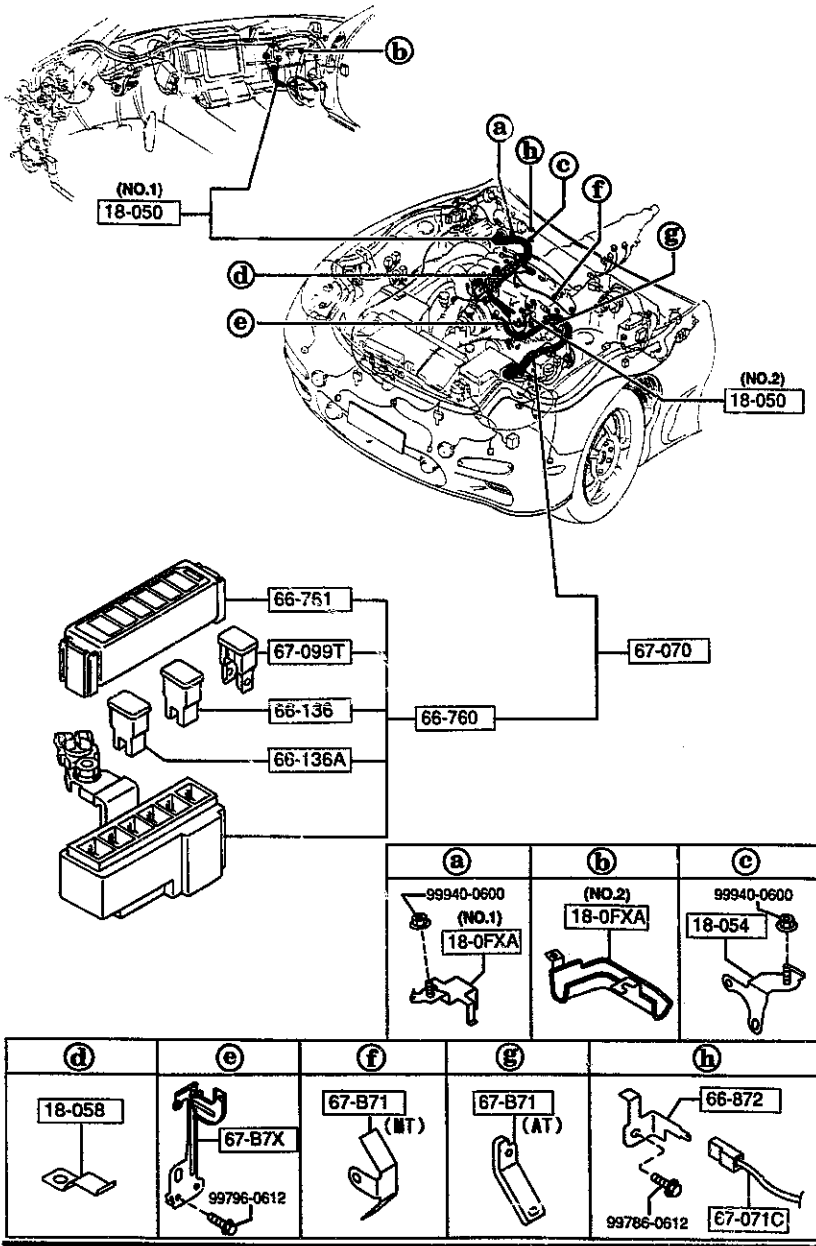
6701 WIRING HARNESSSES(ENGINE & T/MISSION)



PART NO.	QTY	MODEL/RESTRICTION	MODEL/RESTRICTION	MODEL/RESTRICTION	FROM-TO
18-0FXA		BRACKET,ENGINE HARNESS			
N3A1-18-0FXA	1	(ILLUST. NO.1)			
N3A2-18-0FXA	1	(ILLUST. NO.2)			
18-050		WIRING,ENGINE			
N3A3-18-05Z	1	(ILLUST. NO.2)			
N3A1-18-05ZE A (N3A1-18-05ZF)	1				-4408
N3A2-18-05ZE A (N3A2-18-05ZH)	1				-4408
*N3A1-18-05ZF	1	(ILLUST. NO.1) (MT)			4408-
*N3A2-18-05ZH	1	(ILLUST. NO.1) (AT)			4408-
18-054		BRACKET,HOLE-ENG. WIRING			
N3A1-18-0FY	1				
18-058		BRACKET,ENGINE HARNESS			
N3A2-18-054	1				
66-136		FUSE(30A)			
H115-67-099	3				
66-136A		FUSE(40A)			
H116-67-099	1				
66-760		BLOCK,MAIN FUSE			
FD02-66-760C	1				
66-761		COVER,MAIN FUSE BLOCK			
FD02-66-762A	1				
66-872		TAB,EARTH			
FD01-67-TE1C	1				
67-B7X		BRACKET,HARNESS			
FD03-67-B7XD	1				
67-B71		BRACKET,HARNESS			
FD01-67-B71B	1	(MT)			
4408 FD333K-303372					



6701 WIRING HARNESSSES(ENGINE & T/MISSION)



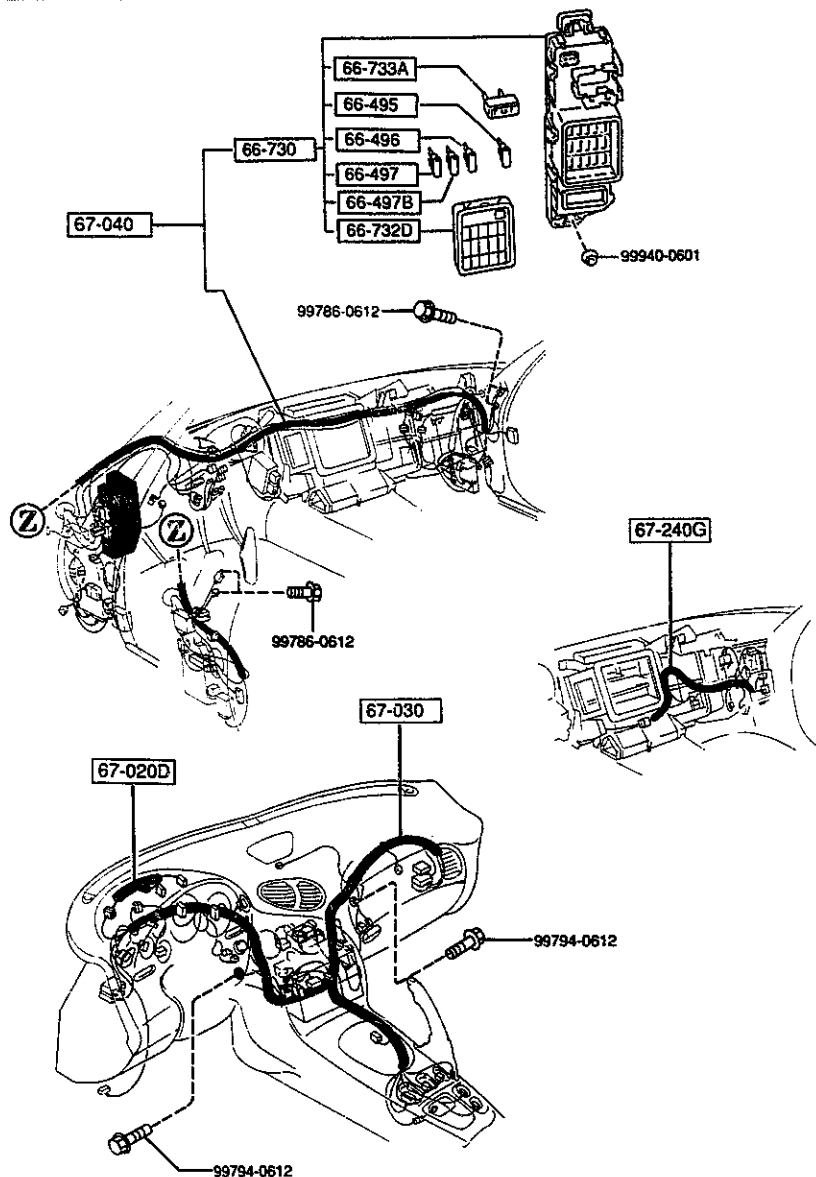
PART NO.	QTY	MODEL/RESTRICTION	MODEL/RESTRICTION	MODEL/RESTRICTION	FROM-TO
CONT'D					
FD02-67-B71A	1	(AT)			
67-070		HARNESS, ENGINE			
FD01-67-070K	1	(MT)			
FD02-67-070B	1	(AT)			
67-071C		WIRE, EARTH			
FD01-67-E70A	1				
67-099T		FUSE(120A)			
J001-67-099	1				

AUFA05

CAT. AUFA05-03

1995-03

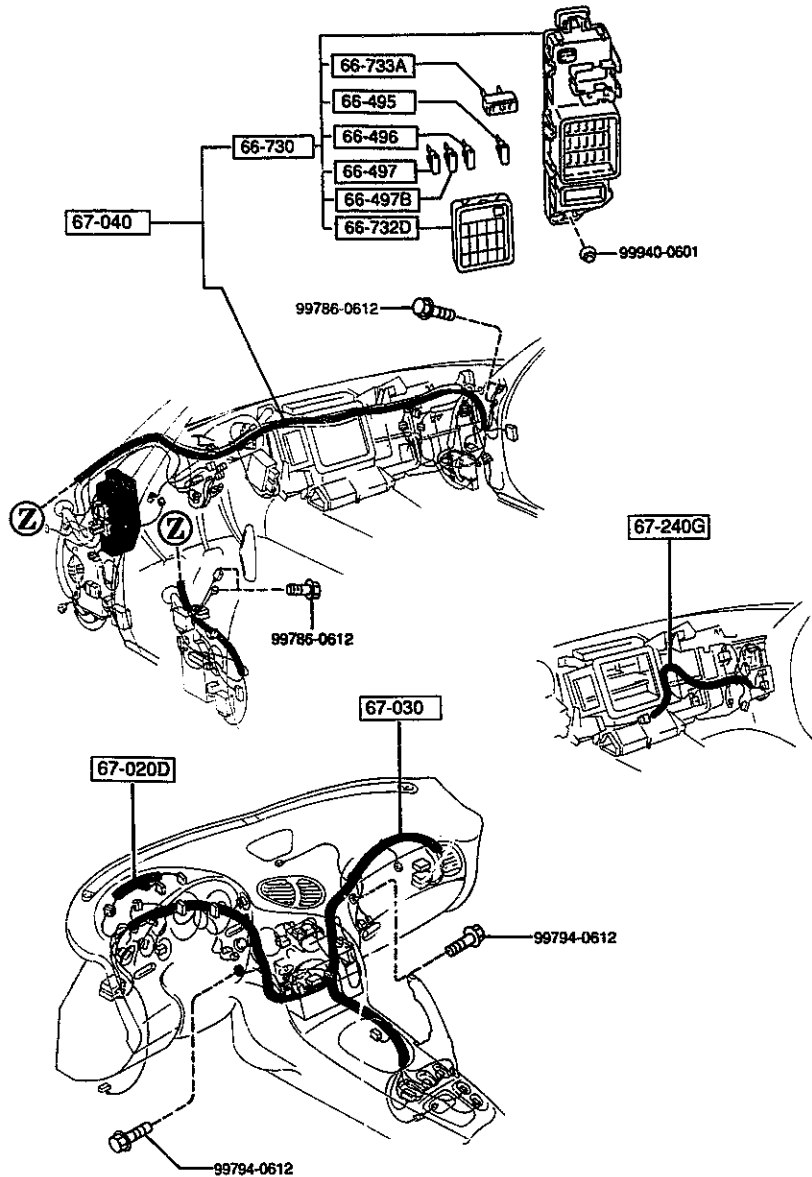
6702 WIRING HARNESSES(DASHBOARD)



PART NO.	QTY	MODEL/RESTRICTION	MODEL/RESTRICTION	MODEL/RESTRICTION	FROM-TO
66-495		FUSE(10A)			
99705-1110	5				
66-496		FUSE(15A)			
99705-1115	7				
66-497		FUSE(20A)			
99705-1120	4				
66-497B		FUSE(30A)			
99705-1130	1				
66-730		BLOCK,FUSE			
FD01-66-730A	1				
66-732D		COVER,FUSE BLOCK			
FD01-66-731A	1				
66-733A		BREAKER			
H001-66-733	1				
67-020D		HARNESS,INST.			
FD01-67-03ZA	1				
67-030		HARNESS,INSTRUMENT			
FD15-67-030C	1	((MT))>(W/O SUN-RF )			
		((MT))>(STEEL SUN-RF )			
		)			
FD17-67-030C	1	((AT))>(W/O SUN-RF )			
FD18-67-030C	1	((MT))>(GLASS SUN-RF )			
		)			
FD19-67-030C	1	((AT))>(GLASS SUN-RF )			
		)			
67-040		HARNESS,DASHBOARD			
FD15-67-040B	1	((MT))>(W/O SUN-RF )			
		((MT))>(STEEL SUN-RF )			
		)			
FD17-67-040B	1	((AT))>(W/O SUN-RF )			
FD18-67-040B	1	((MT))>(GLASS SUN-RF )			
		)			
FD19-67-040B	1	((AT))>(GLASS SUN-RF )			
		)			

6702 WIRING HARNESSSES(DASHBOARD)

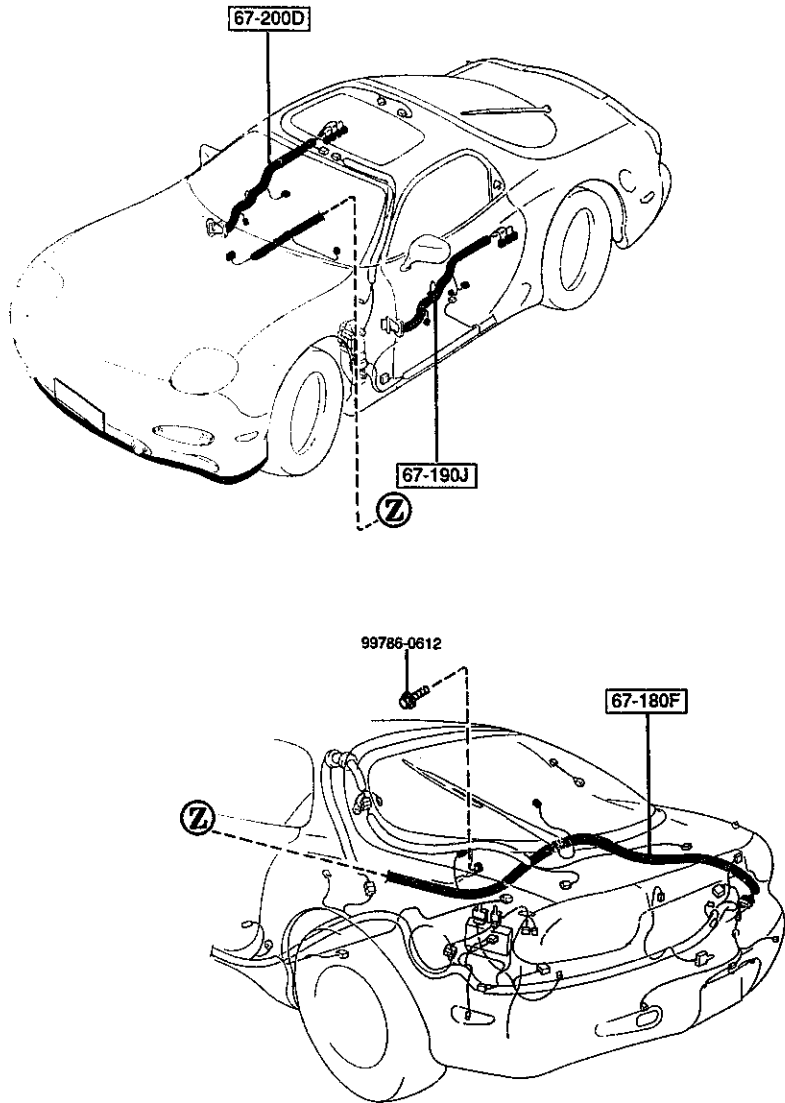
6702 -2 \* WIRING HARNESSSES(DASHBOARD)



PART NO.	QTY	MODEL/RESTRICTION	MODEL/RESTRICTION	MODEL/RESTRICTION	FROM-TO
67-240G		HARNESS, LOGICAL CONTROL			
FB01-67-240E	1				

6703 -1 \* WIRING HARNESSES(DOOR,FLOOR/CEILING)

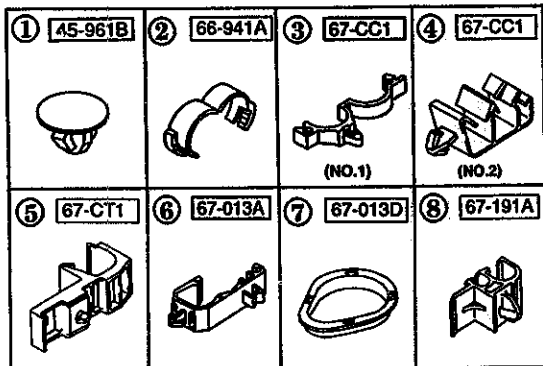
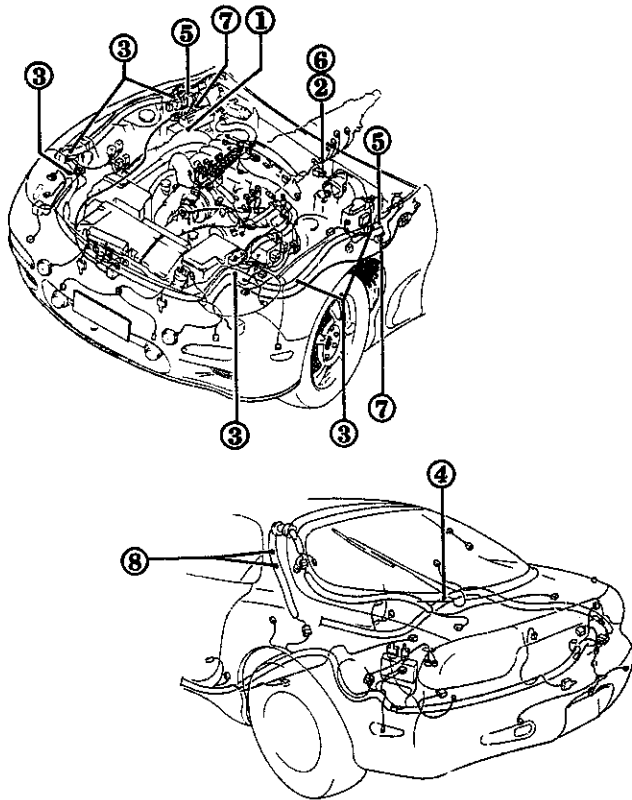
6703 WIRING HARNESSES(DOOR,FLOOR/CEILING)



PART NO.	QTY	MODEL/RESTRICTION	MODEL/RESTRICTION	MODEL/RESTRICTION	FROM-TO
+-----+   67-180F   +-----+ FD15-67-180	1	WIRING,FLOOR			
+-----+   67-190J   +-----+ FD15-67-190C	1	HARNESS,DOOR-DRIVER SIDE			
+-----+   67-200D   +-----+ FD15-67-200C	1	HARNESS,DOOR-PASSENG ER SIDE			

6704 WIRING HARNESS CLAMPS

6704 -1 \* WIRING HARNESS CLAMPS



PART NO.	QTY	MODEL/RESTRICTION	MODEL/RESTRICTION	MODEL/RESTRICTION	FROM-TO
45-961B H002-45-961	1	CAP			
66-941A FB01-66-945	1 (MT)	CLIP			
67-CC1 FD01-67-CC1 F100-67-C41	6 (ILLUST. NO.1) 1 (ILLUST. NO.2)	CLIP, HARNESS			
67-CT1 FD01-67-CD1	2	CLIP, HARNESS			
67-013A UB42-67-013	1 (AT)	CLIP			
67-013D FD01-67-P13	2	PROTECTOR, HARNESS			
67-191A B467-67-CE1	2	CLIP			

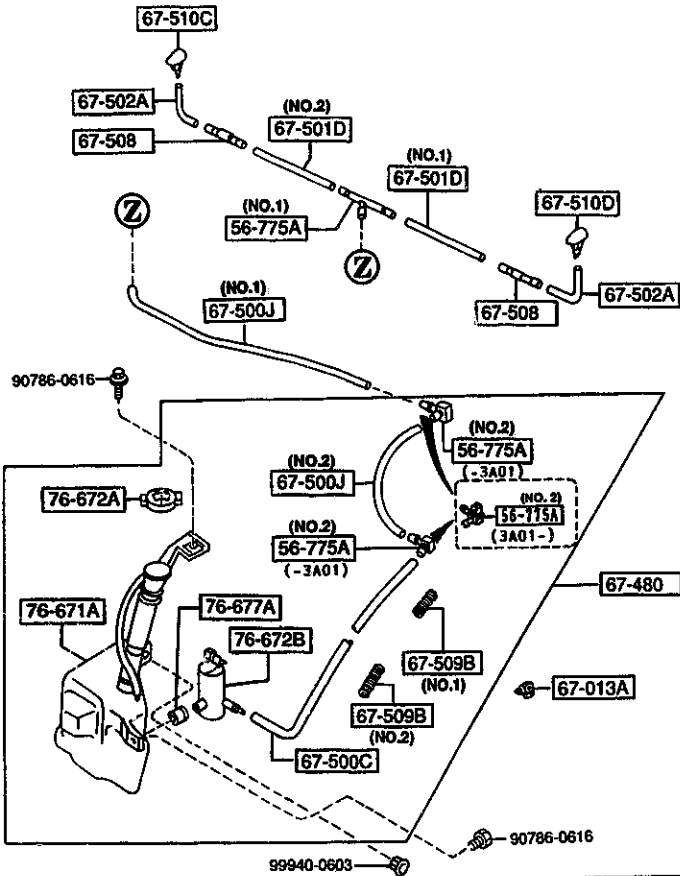
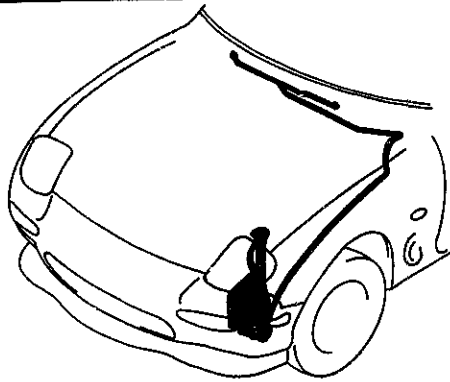
AUFA05

CAT. AUFA05-03

1995-03

6720 WINDSHIELD WASHER

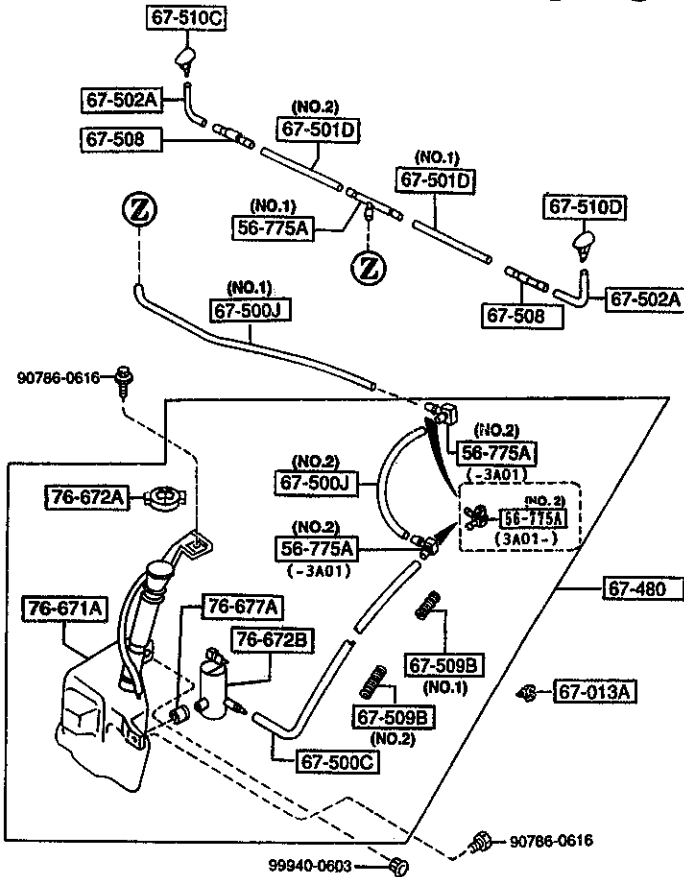
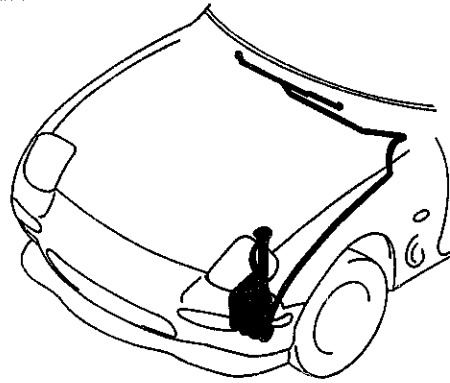
6720 -1 WINDSHIELD WASHER



PART NO.	QTY	MODEL/RESTRICTION	MODEL/RESTRICTION	MODEL/RESTRICTION	FROM-TO
56-775A		CLIP, WASHER HOSE			
D061-67-505	1	(ILLUST. NO.1)			
LA01-67-505B	2	(ILLUST. NO.2)			-3A01
M020-67-505	2	(ILLUST. NO.2)			3A01-
67-013A		CLIP			
H045-67-013	1				
67-480		TANK, WASHER-FRONT			
FD01-67-480B	1				
67-500C		PIPE, SCREEN WASHER			
FD05-67-501	1				
67-500J		PIPE, SCREEN WASHER			
FD03-67-501	1	(ILLUST. NO.1)			
FD04-67-501A	1	(ILLUST. NO.2)			
67-501D		PIPE, WASHER-FRONT W/ PER			
FD01-67-501	1	(ILLUST. NO.1)			
FD02-67-501	1	(ILLUST. NO.2)			
67-502A		JOINT, HOSE			
FD01-67-502	2				
67-508		VALVE, CHECK			
FD01-67-508	2				
67-509B		TUBE, CORRUGATE			
FD01-67-509	1	(ILLUST. NO.1)			
FD02-67-509	1	(ILLUST. NO.2)			
67-510C		NOZZLE(R), WASHER			
FD02-67-510	1				
NU	EXT	NT NU VINTAGE RED			
PT	EXT	PT VX CHAST WHITE			
03	EXT	N8 PX PZ 2A 3L 4G N6 BLACK			
3A01 FD333*-300888					

6720 WINDSHIELD WASHER

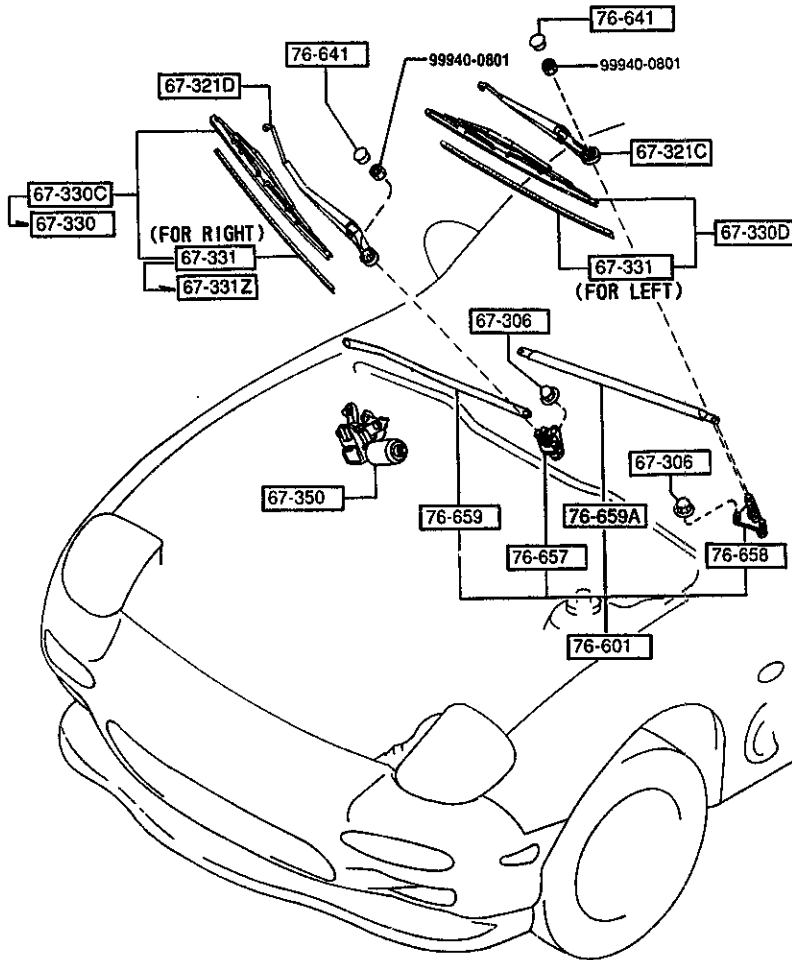
6720 -2 \* WINDSHIELD WASHER



PART NO.	QTY	MODEL/RESTRICTION	MODEL/RESTRICTION	MODEL/RESTRICTION	FROM-TO
67-510D		NOZZLE(L), WASHER			
FD01-67-510	1				
NU	EXT-	NT NU VINTAGE RED			
PT	EXT-	PT VX CHAST WHITE			
03	EXT-	MS PX PZ 2A 3L 4G N6 BLACK			
76-671A		TANK, WASHER-RR WIPER			
FD01-67-481A	1				
76-672A		CAP, TANK			
FD01-67-483	1				
76-672B		PUMP, WASHER			
FD01-67-482	1				
76-677A		GRONMET, WASHER TANK			
S084-76-677	1				

6730 -1 WINDSHIELD WIPERS

6730 WINDSHIELD WIPERS

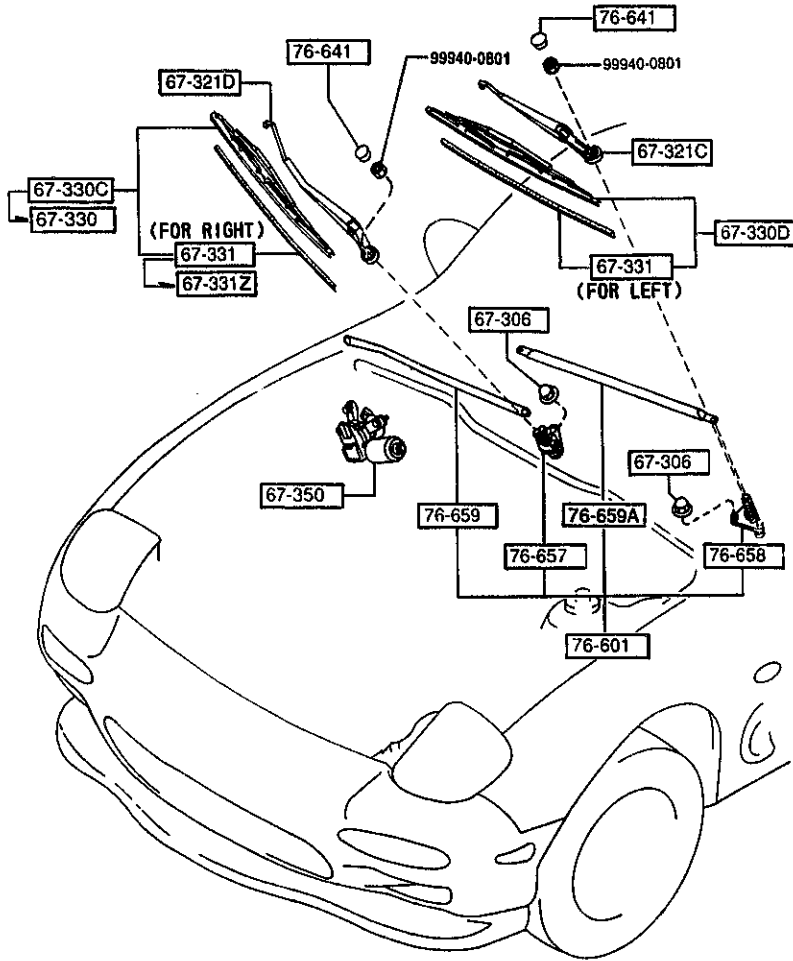


PART NO.	QTY	MODEL/RESTRICTION	MODEL/RESTRICTION	MODEL/RESTRICTION	FROM-TO
67-306		NUT, WIPER LINK			
GJ21-67-306	5				
67-321C		ARM, WIPER-DRIVER SIDE			
FD01-67-321	1				
67-321D		ARM, WIPER-CO DRIVER SIDE			
FD02-67-321	1				
67-330		BLADE, WIPER-FRONT			3C01-
TA02-67-330	1	(FOR RIGHT)			
67-330C		BLADE(R), WIPER-FRONT			-3C01
GA7D-67-330	1				
67-330D		BLADE(L), WIPER-FRONT			
FD01-67-330A	1				
67-331		RUBBER, BLADE-FRONT			
F100-67-331	1	(FOR LEFT)			
H381-67-331	1	(FOR RIGHT)			-3C01
67-331Z		RUBBER, BLADE-FRONT			
D061-67-331	1	(FOR RIGHT)			3C01-
67-350		MOTOR, WIPER			
FD01-67-340	1	(EXC. COLD SPEC)			
FD02-67-340	1	(COLD SPEC)			
76-601		LINK, WIPER			
FD01-67-360	1	(EXC. COLD SPEC)			
FD02-67-360	1	(COLD SPEC)			
76-641		COVER, WIPER ARM-FRONT			
LA01-67-395A	2				
76-657		SHAFT, DRIVE NO.1			
FD01-67-363	1	(EXC. COLD SPEC)			
FD02-67-363	1	(COLD SPEC)			
3C01 FD333*-301464					



6730 WINDSHIELD WIPERS

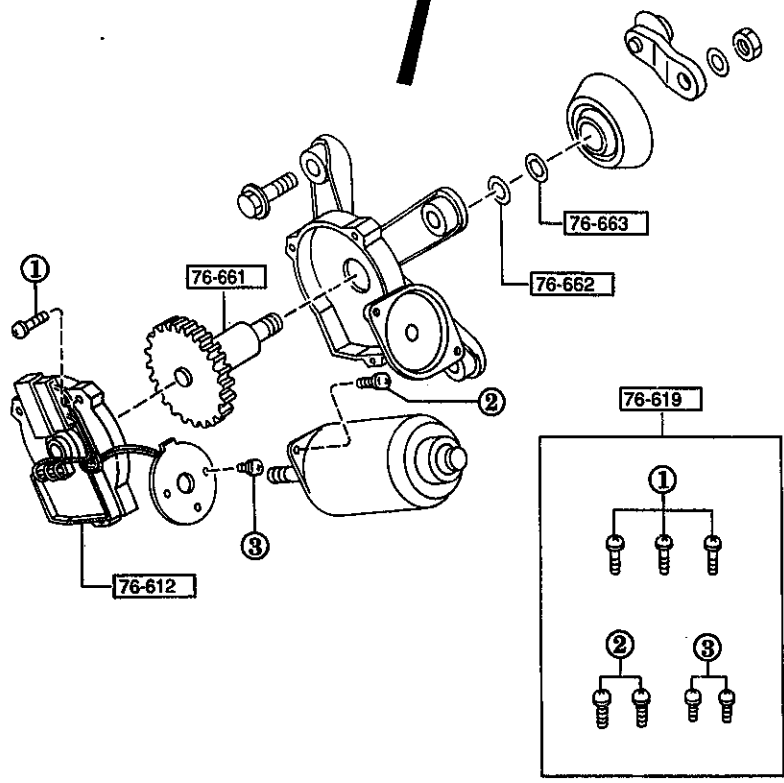
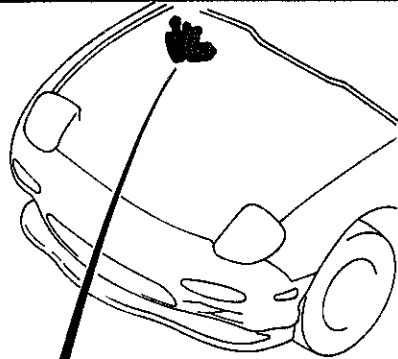
6730 -2 \* WINDSHIELD WIPERS



PART NO.	QTY	MODEL/RESTRICTION	MODEL/RESTRICTION	MODEL/RESTRICTION	FROM-TO
76-658		SHAFT, DRIVE NO. 2			
FD01-67-364	1	(EXC. COLD SPEC)			
FD02-67-364	1	(COLD SPEC)			
76-659		ARM NO. 1, LINK			
FD01-67-361	1				
76-659A		ARM NO. 2, LINK			
FD01-67-362	1				

6740 WIPER MOTOR COMPONENTS(FRONT)

COMPONENTS OF FD01-67-340  
FD02-67-340

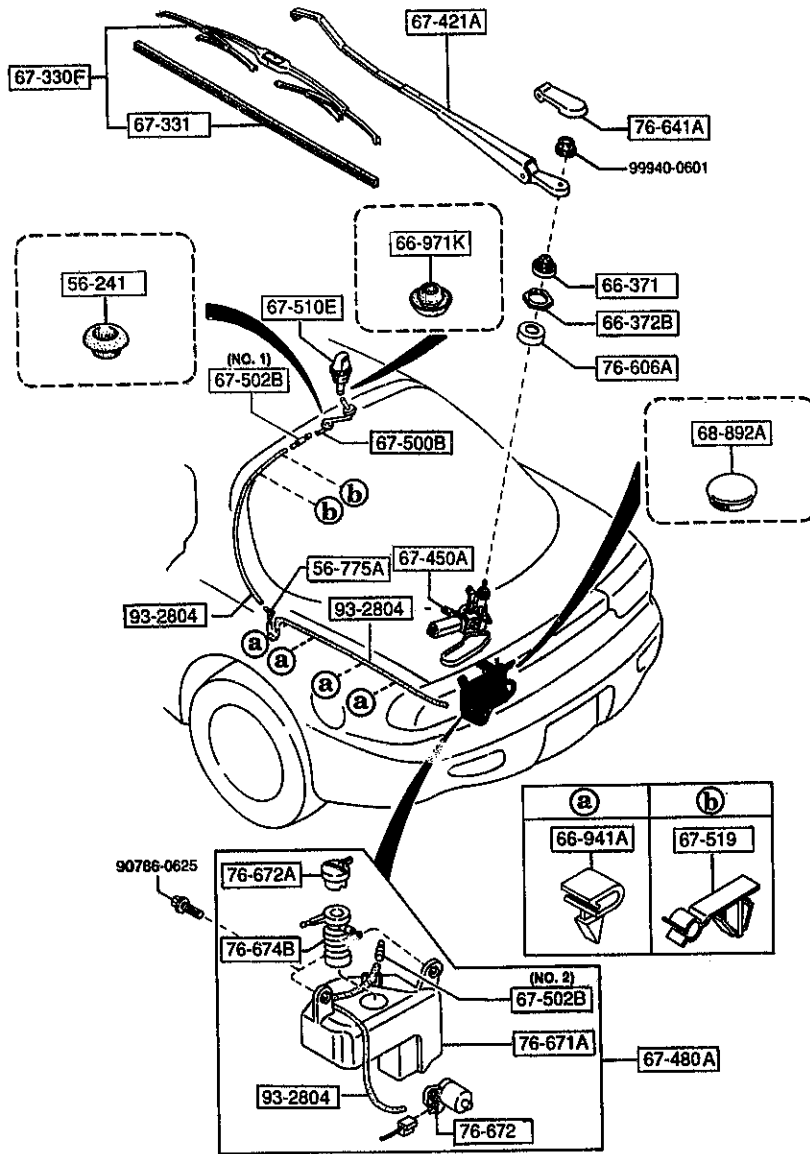


6740 -1 \* WIPER MOTOR COMPONENTS(FRONT)

PART NO.	QTY	MODEL/RESTRICTION	MODEL/RESTRICTION	MODEL/RESTRICTION	FROM-TO
76-612		PLATE, HOLDER-BRUSH			
FD01-67-351	1	(EXC. COLD SPEC)			
FD02-67-351	1	(COLD SPEC)			
76-619		PARTS SET			
H043-76-619A	1				
76-661		GEAR, SHAFT			
FD01-67-354	1				
76-662		WASHER			
B094-76-662	1				
76-663		WASHER, TOOTHED			
B094-76-663	1				

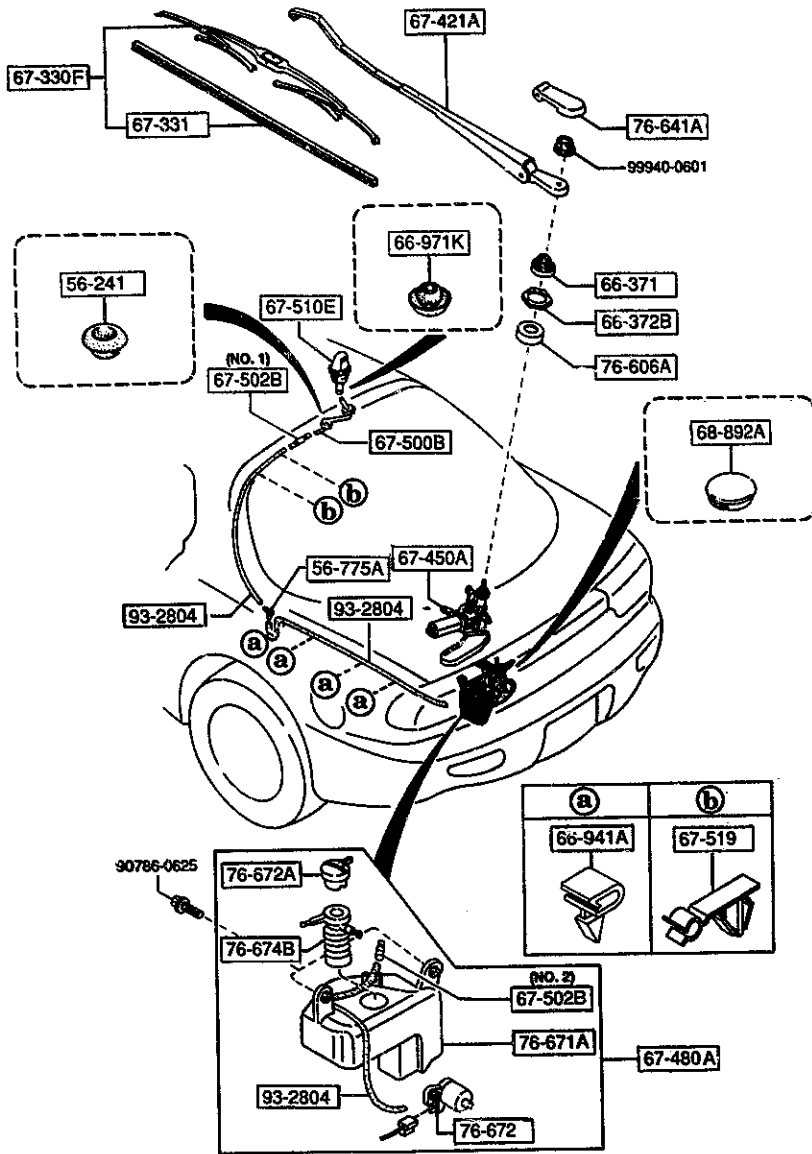
6750 WINDOW WIPER & WASHER (REAR)

6750 -1 WINDOW WIPER & WASHER (REAR)



PART NO.	QTY	MODEL/RESTRICTION	MODEL/RESTRICTION	MODEL/RESTRICTION	FROM-TO
56-241		PLUG, DRAIN			
0118-56-241	1	(W/O WASHER TANK) (W/O SUN-RF) (STEEL SUN-RF)			
56-775A		CLIP, WASHER HOSE			
LAD1-67-505B	1	(W/RR WASHER TANK) (GLASS SUN-RF)			
66-371		CAP, SEAL			
FD01-67-366	1	(GLASS SUN-RF)			
66-372B		NUT			
B093-76-605	1	(GLASS SUN-RF)			
66-941A		CLIP			
GB08-66-941	4	(W/RR WASHER TANK) (GLASS SUN-RF)			
66-971K		GROMMET			
0222-66-971	1	(W/O WASHER TANK) (W/O SUN-RF) (STEEL SUN-RF)			
67-330F		BLADE, WIPER			
*FD03-67-330	1	(GLASS SUN-RF)			
67-331		RUBBER, BLADE-FRONT			
B461-67-331	1	(GLASS SUN-RF)			
67-421A		ARM, WIPER			
FD01-67-421	1	(GLASS SUN-RF)			
67-450A		MOTOR			
FD01-67-450A	1	(GLASS SUN-RF)			
67-480A		TANK, WASHER-REAR			
FD02-67-480	1	(W/RR WASHER TANK) (GLASS SUN-RF)			
67-500B		PIPE, REAR WASHER-UPPER			
FD04-67-500	1	(W/RR WASHER TANK) (GLASS SUN-RF)			

6750 WINDOW WIPER & WASHER (REAR)

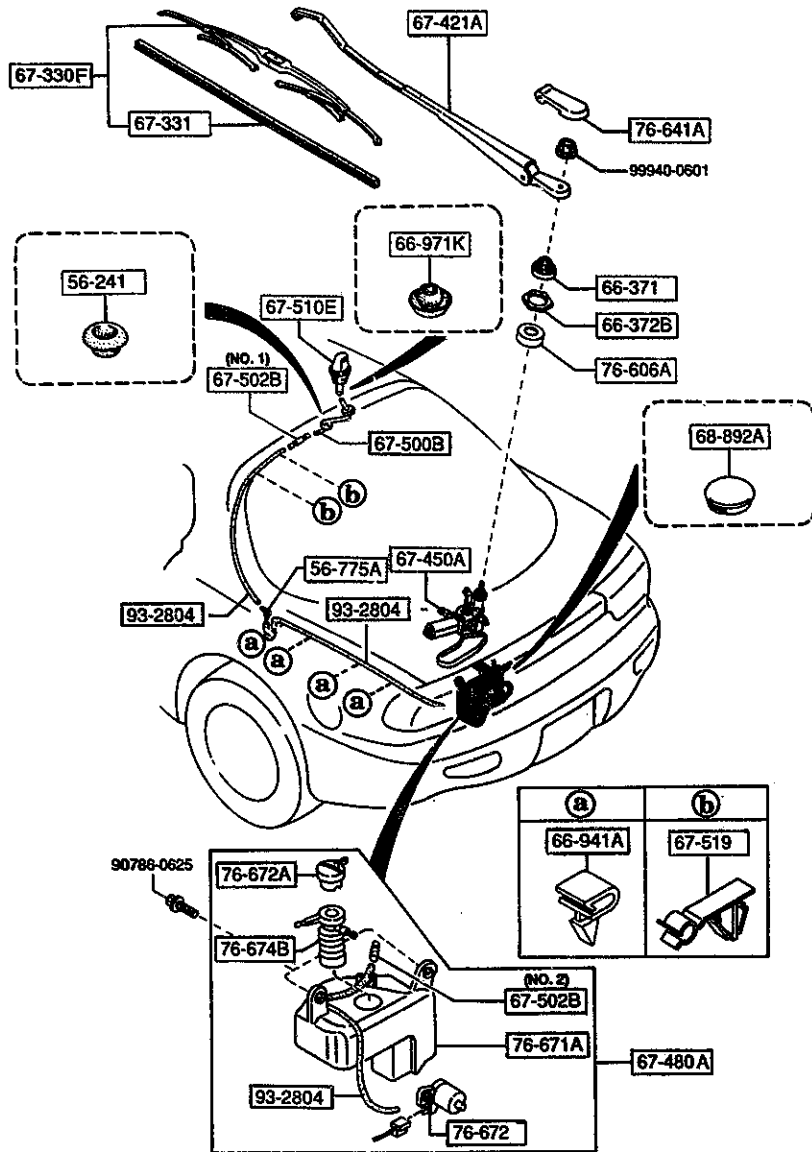


6750 -2 WINDOW WIPER & WASHER (REAR)

PART NO.	QTY	MODEL/RESTRICTION	MODEL/RESTRICTION	MODEL/RESTRICTION	FROM-TO
67-502B		JOINT, HOSE			
4116-67-502	2	(ILLUST. NO. 1) (W/RR WASHER TANK) (GLASS SUN-RF)			-4302
*D805-67-502	1	(ILLUST. NO. 2) (W/RR WASHER TANK) (GLASS SUN-RF)			4302-
4116-67-502	1	(ILLUST. NO. 1) (W/RR WASHER TANK) (GLASS SUN-RF)			4302-
67-510E		NOZZLE, WASHER			
FD03-67-510	1	(W/RR WASHER TANK) (GLASS SUN-RF)			
67-519		CLIP, PIPE			
B499-67-519	2	(W/RR WASHER TANK) (GLASS SUN-RF)			
68-892A		COVER, HOLE-RR WIPER			
FD01-67-492	1	(W/O WASHER TANK) (W/O SUN-RF) (STEEL SUN-RF)			
76-606A		BUSH, OUTER			
FD01-67-407	1	(GLASS SUN-RF)			
76-641A		COVER, WIPER ARM-REAR			
B093-76-641	1	(GLASS SUN-RF)			
76-671A		TANK, WASHER-RR WIPER			
FD02-67-481	1	(W/RR WASHER TANK) (GLASS SUN-RF)			
76-672		PUMP, WASHER			
FD02-67-482	1	(W/RR WASHER TANK) (GLASS SUN-RF)			
76-672A		CAP, TANK			
FD02-67-483	1	(W/RR WASHER TANK) (GLASS SUN-RF)			
76-674B		FANNEL			
FD02-67-484	1	(W/RR WASHER TANK) (GLASS SUN-RF)			
4302 FD333*-302787					

6750 -3 \* WINDOW WIPER & WASHER (REAR)

6750 WINDOW WIPER & WASHER (REAR)

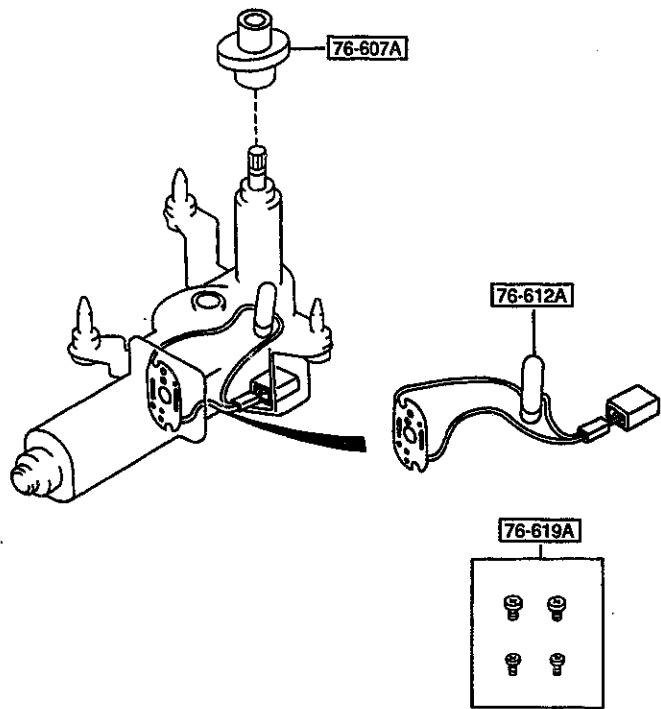
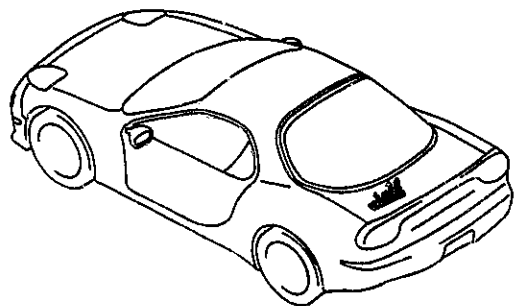


PART NO.	QTY	MODEL/RESTRICTION	MODEL/RESTRICTION	MODEL/RESTRICTION	FRON-TO
93-2804		PIPE, VINYL			
99328-04010	1	L=10M (W/RR WASHER TANK) (GLASS SUN-RF)			

6760 -1 \* WINDOW WIPER MOTOR COMPONENTS (REAR)

6760 WINDOW WIPER MOTOR COMPONENTS (REAR)

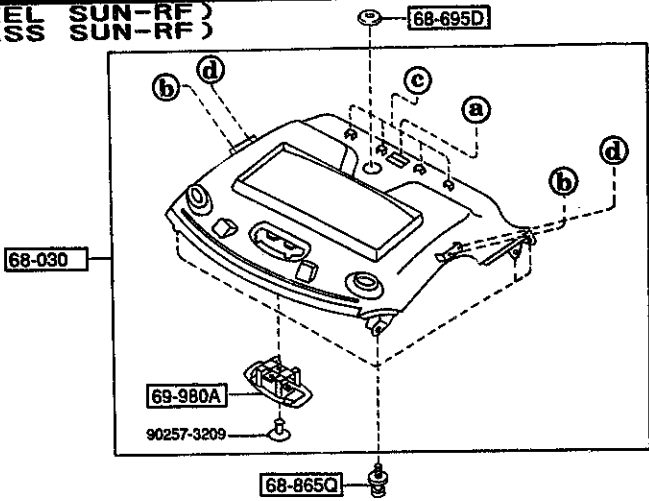
COMPONENTS OF FD01-67-450A



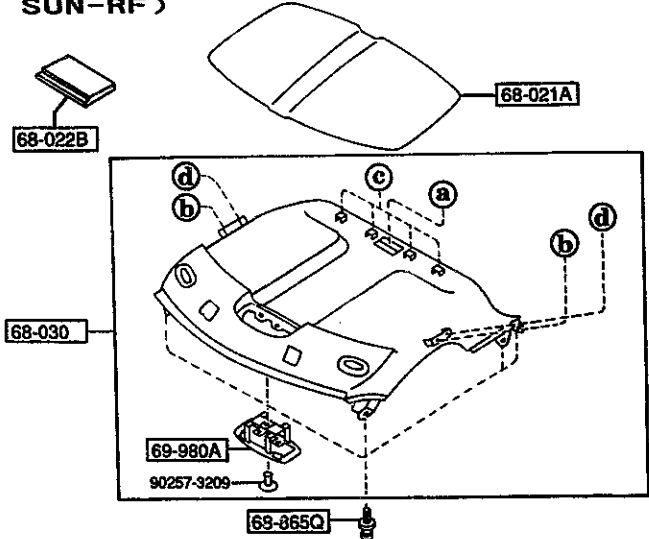
PART NO.	QTY	MODEL/RESTRICTION	MODEL/RESTRICTION	MODEL/RESTRICTION	FROM-TO
76-607A FD01-67-402	1	BUSH, INNER			
76-612A FD01-67-451	1	PLATE, HOLDER-BRUSH			
76-619A B002-76-619A	1	PARTS SET			

6800 CEILING TRIMS

(STEEL SUN-RF)  
(GLASS SUN-RF)



(W/O SUN-RF)



a	b	c	d
68-D21	68-0C0	68-865S	68-865U



AUFA05

-337-

6800 -1 \* CEILING TRIMS

PART NO.	QTY	MODEL/RESTRICTION	MODEL/RESTRICTION	MODEL/RESTRICTION	FROM-TO
68-D21		CLIP,TRIM			
GA2A-68-D21	1				
68-0C0		CLIP,TOP CEILING			
MO01-68-0C0A	2				
68-021A		INSULATOR,ROOF			
FD01-68-021A	1				-3920
A (FD01-68-021A)					
FD01-68-021A	1	(W/O SUN-RF)			3920-
68-022B		PAD,ROOF			
*FD15-68-016	1	(W/O SUN-RF)			
68-030		CEILING,TOP			
FD01-68-030C	1	(STEEL SUN-RF) (GLASS SUN-RF)			
02	INT-	FE5 FE6 FE7 BLACK			
FD03-68-030C	1	(W/O SUN-RF)			
02	INT-	FE5 FE6 FE7 BLACK			
68-695D		COVER,HOLE-BELT			
GM09-68-049	1	(STEEL SUN-RF) (GLASS SUN-RF)			
02	INT-	FE5 FE6 FE7 BLACK			
68-865Q		FASTENER			
GJ21-68-885B	4				
00	INT-	FE5 FE6 FE7 BLACK			
68-865S		CLIP,TRIM			
GJ12-68-865	4				
68-865U		CLIP,TRIM			
GJ21-68-865	2				
69-980A		BRACKET,OVERHEAD CON SOLE			
FD01-69-98X	1				

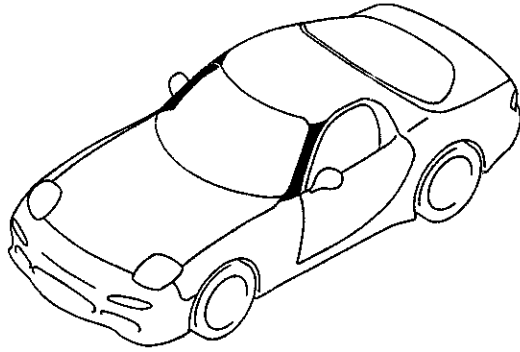
3920 FD333\*-300684

CAT. AUFA05-03

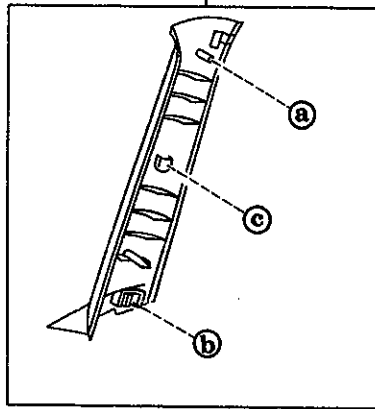
1995-03

6820 -1 \* PILLAR TRIMS

6820 PILLAR TRIMS



68-160  
68-160Z

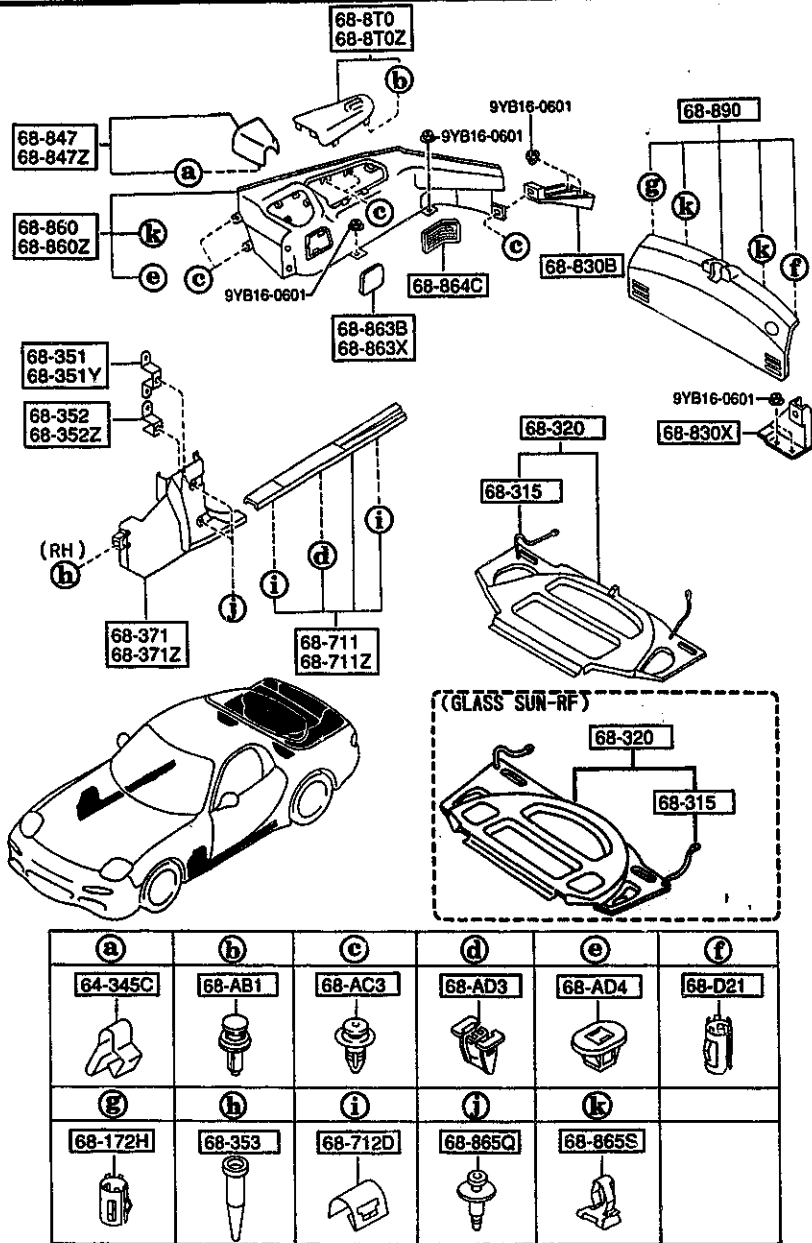


a	b	c
68-D21	68-218B	68-865S

PART NO.	QTY	MODEL/RESTRICTION	MODEL/RESTRICTION	MODEL/RESTRICTION	FROM-TO
68-D21		CLIP,TRIM			
FD01-68-D21	2				
68-160		TRIM(R),*A*PILLAR			
FD01-68-160E	1				-4510
02	INT-	FE5 FE6 FE7 BLACK			
*FD01-68-160F	1				4510-
* 02	INT-	FE5 FE6 FE7 BLACK			
68-160Z		TRIM(L),*A*PILLAR			
FD01-68-170E	1				-4510
02	INT-	FE5 FE6 FE7 BLACK			
*FD01-68-170F	1				4510-
* 02	INT-	FE5 FE6 FE7 BLACK			
68-218B		SPRING,TRIM			
FD01-68-165	2				
68-865S		CLIP,TRIM			
GJ12-68-865	2				
4510 FD333*-303536					



6840 TRIMS & SCUFF PLATES



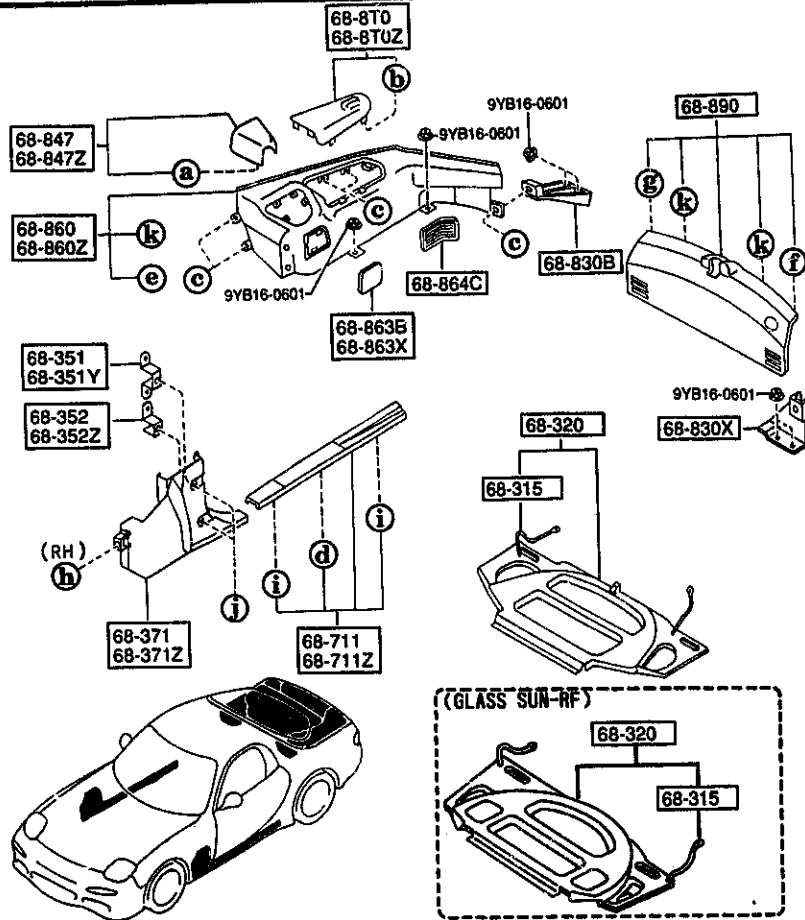
PART NO.	QTY	MODEL/RESTRICTION	MODEL/RESTRICTION	MODEL/RESTRICTION	FROM-TO
64-345C H260-64-345	6	SPRING, UPPER PLATE			
68-AB1 FD01-68-AB1B	2	FASTENER			
68-AC3 B467-68-AC3	10	FASTENER			
68-AD3 H380-68-AD3	2	CLIP, SCUFF PLATE			
68-AD4 FD01-68-AD4B AN(FD01-68-AD4C)	2	GROMMET, SCUFF PLATE			-4401
68-AD4C FD01-68-AD4C	2				4401-
68-D21 LA10-68-D21	1	CLIP, TRIM			
68-172H B100-68-215A	1	FASTENER, CTR. P/UPP.			
68-315 EA01-68-315	2	STRAP ((W/O SUN-RF)>(HARD SUSP) (STEEL SUN-RF) (GLASS SUN-RF)			
68-320 FD01-68-310B	1	TRAY, REAR PACKAGE ((W/O SUN-RF)>(HARD SUSP) (STEEL SUN-RF)			
	02	INT- FE5 FE6 FE7 BLACK			
	1	FD05-68-310C (GLASS SUN-RF)			
	02	INT- FE5 FE6 FE7 BLACK			
68-351 FD01-68-351	1	BRKT, FRT SIDE TRIM (FOR RIGHT)			
68-351Y FD01-68-356	1	BRACKET(L), UPPER-F. SIDE			
4401 FD333*-303310					

AUFA05

CAT. AUFA05-03

1995-03

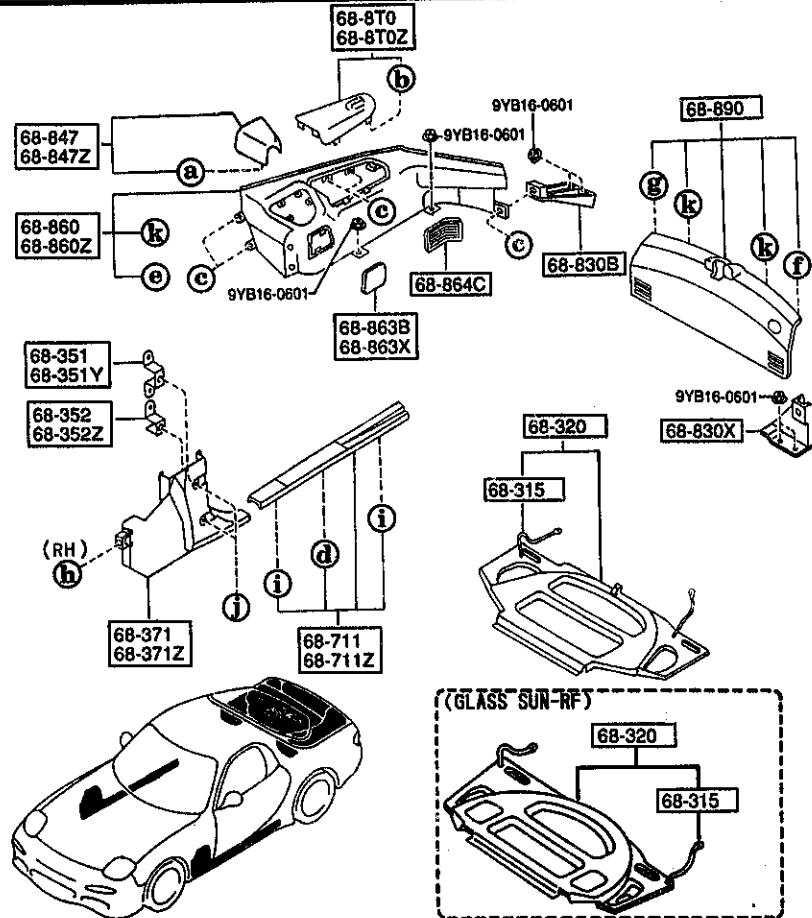
6840 TRIMS & SCUFF PLATES



(a)	(b)	(c)	(d)	(e)	(f)
64-345C	68-AB1	68-AC3	68-AD3	68-AD4	68-D21
(g)	(h)	(i)	(j)	(k)	
68-172H	68-353	68-712D	68-865Q	68-865S	

PART NO.	QTY	MODEL/RESTRICTION	MODEL/RESTRICTION	MODEL/RESTRICTION	FROM-TO
68-352		BRACKET(R), LOWER-F. SIDE			
FD01-68-352	1				
68-352Z		BRACKET(L), LOWER-F. SIDE			
FD01-68-352Z	1				
68-353		PIN, GUIDE-F. SIDE TRIM			
FD01-68-353	1				
68-371		TRIM(R), FRONT SIDE			
FD01-68-371A	1				
02	INT-	FE5 FE6 FE7 BLACK			
68-371Z		TRIM(L), FRONT SIDE			
FD01-68-371Z	1				
02	INT-	FE5 FE6 FE7 BLACK			
68-711		PLATE(R), FRONT SCUFF			
FD01-68-711A	1				
02	INT-	FE5 FE6 FE7 BLACK			
68-711Z		PLATE(L), FRONT SCUFF			
FD01-68-711Z	1				
02	INT-	FE5 FE6 FE7 BLACK			
68-712D		CLIP			
B456-68-712D	4				
68-870		LID(R), TRUNK SIDE			
FD01-68-870B	1				
02	INT-	FE5 FE6 FE7 BLACK			
68-870Z		LID(L), TRUNK SIDE			
FD01-68-870Z	1				
02	INT-	FE5 FE6 FE7 BLACK			
68-830B		BRACKET(R), TRUNK SIDE			
FD01-68-830B	1				

6840 TRIMS & SCUFF PLATES



<b>a</b> 68-345C 	<b>b</b> 68-AB1 	<b>c</b> 68-AC3 	<b>d</b> 68-AD3 	<b>e</b> 68-AD4 	<b>f</b> 68-D21 
<b>g</b> 68-172H 	<b>h</b> 68-353 	<b>i</b> 68-712D 	<b>j</b> 68-865Q 	<b>k</b> 68-865S 	

PART NO.	QTY	MODEL/RESTRICTION	MODEL/RESTRICTION	MODEL/RESTRICTION	FROM-TO
68-830X FD01-68-8H7	1	BRACKET(L),TRUNK SIDE			
68-847 FD01-68-J30A	1	CAP(R),HOLE-TRUNK TRIM			
02	INT-	FE5 FE6 FE7 BLACK			
68-847Z FD01-68-J40A	1	CAP(L),HOLE-TRUNK TRIM			
02	INT-	FE5 FE6 FE7 BLACK			
68-860 FD01-68-850E	1	TRIM(R),TRUNK SIDE			
02	INT-	FE5 FE6 FE7 BLACK			
68-860Z FD01-68-870F	1	TRIM(L),TRUNK SIDE			
02	INT-	FE5 FE6 FE7 BLACK			
68-863B FD01-68-857	1	COVER(R),TRUNK SIDE			
02	INT-	FE5 FE6 FE7 BLACK			
68-863X FD01-68-877	1	COVER(L),TRUNK SIDE			
02	INT-	FE5 FE6 FE7 BLACK			
68-864C FD09-68-J5Y	1	GRILLE,EXTRACT.-T.S. TRIM			
02	INT-	FE5 FE6 FE7 BLACK			
68-865Q GJ21-68-885B	4	FASTENER			
00	INT-	FE5 FE6 FE7 BLACK			
68-865S GJ12-68-865	4	CLIP,TRIM			
68-890		TRIM,TRUNK END			

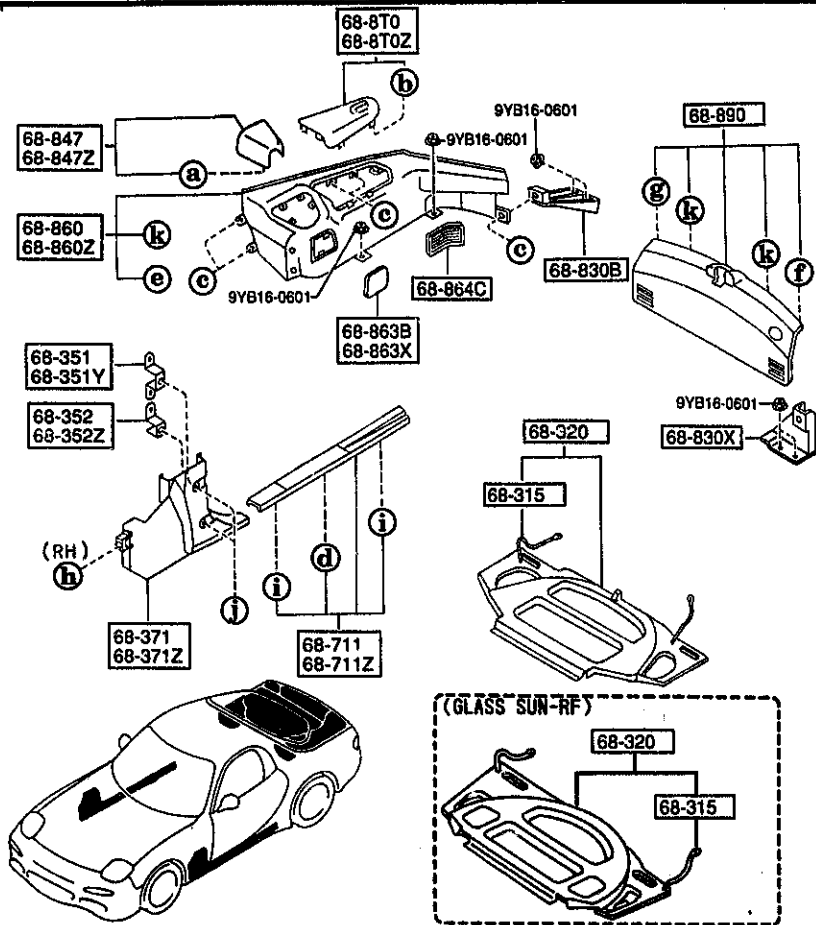
AUFA05

CAT. AUFA05-03

1995-03

6840 TRIMS & SCUFF PLATES

6840 -4 \* TRIMS & SCUFF PLATES



<b>a</b> 64-345C 	<b>b</b> 68-AB1 	<b>c</b> 68-AC3 	<b>d</b> 68-AD3 	<b>e</b> 68-AD4 	<b>f</b> 68-D21 
<b>g</b> 68-172H 	<b>h</b> 68-353 	<b>i</b> 68-712D 	<b>j</b> 68-865Q 	<b>k</b> 68-865S 	

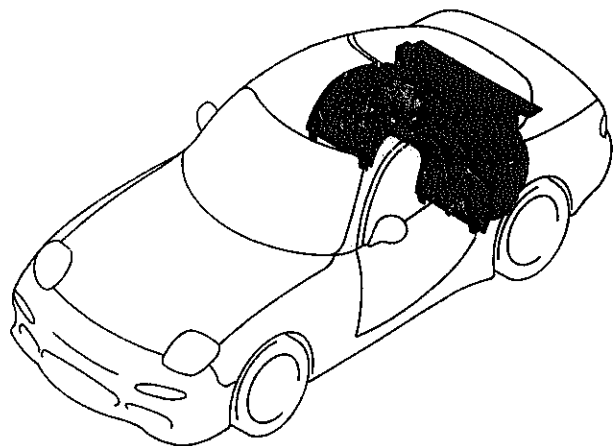
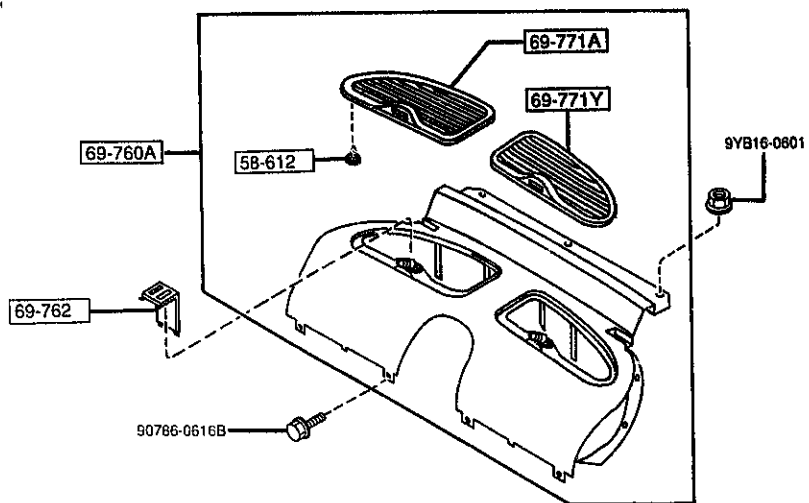
PART NO.	QTY	MODEL/RESTRICTION	MODEL/RESTRICTION	MODEL/RESTRICTION	FROM-TO
CONT'D					
FD01-68-89X	1				
02	INT-	FE5 FE6 FE7 BLACK			
FD09-68-89X	1	NON USA,			
02	INT-	FE5 FE6 FE7 BLACK			

AUFA05

CAT. AUFA05-03

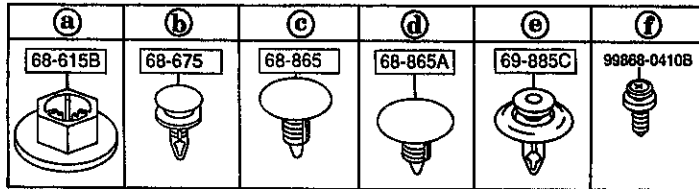
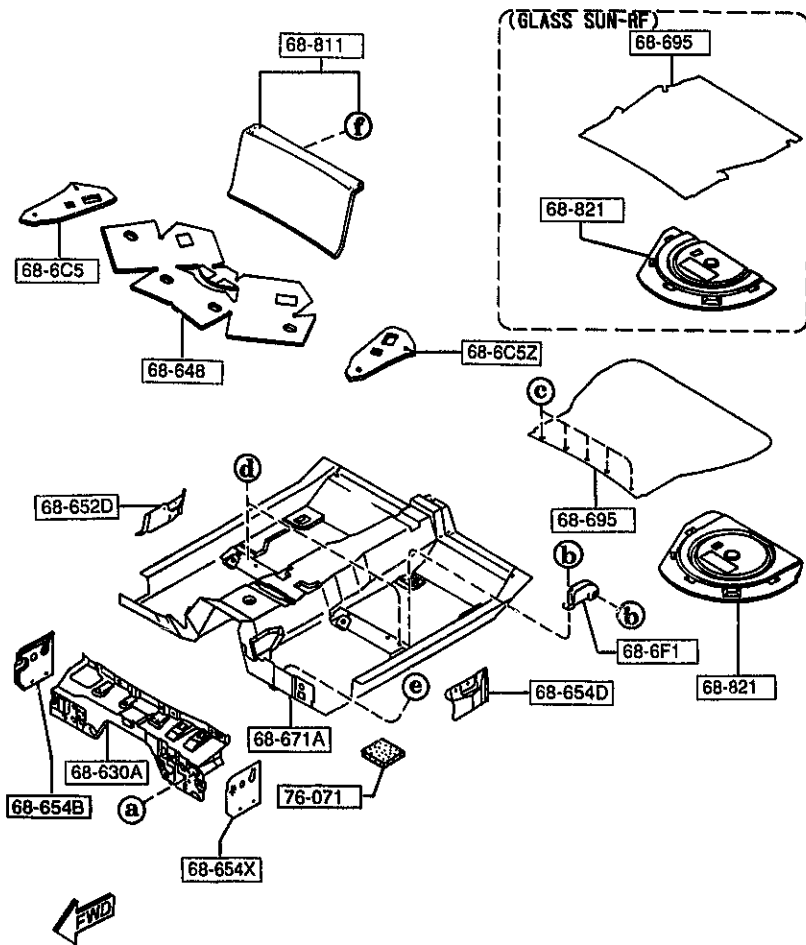
1995-03

6845 STRAGE BOX

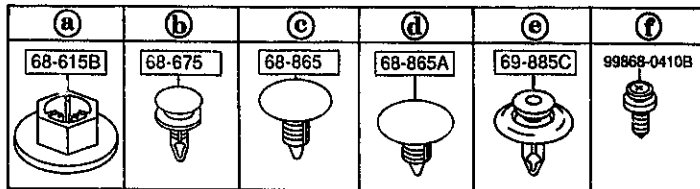
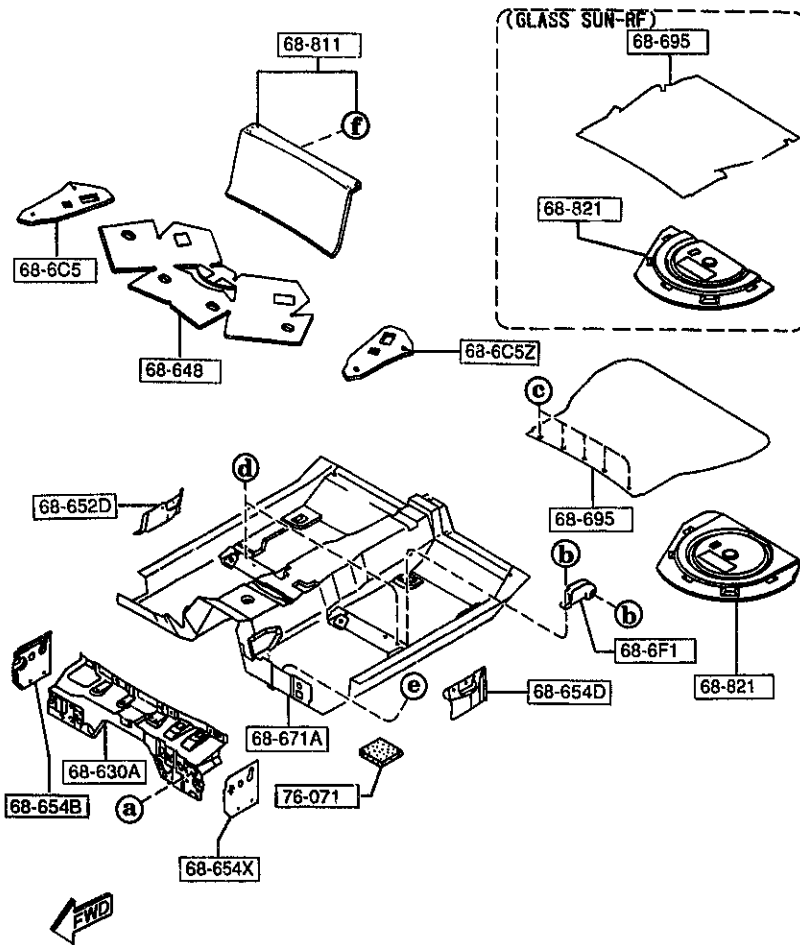


6845 -1 \* STRAGE BOX

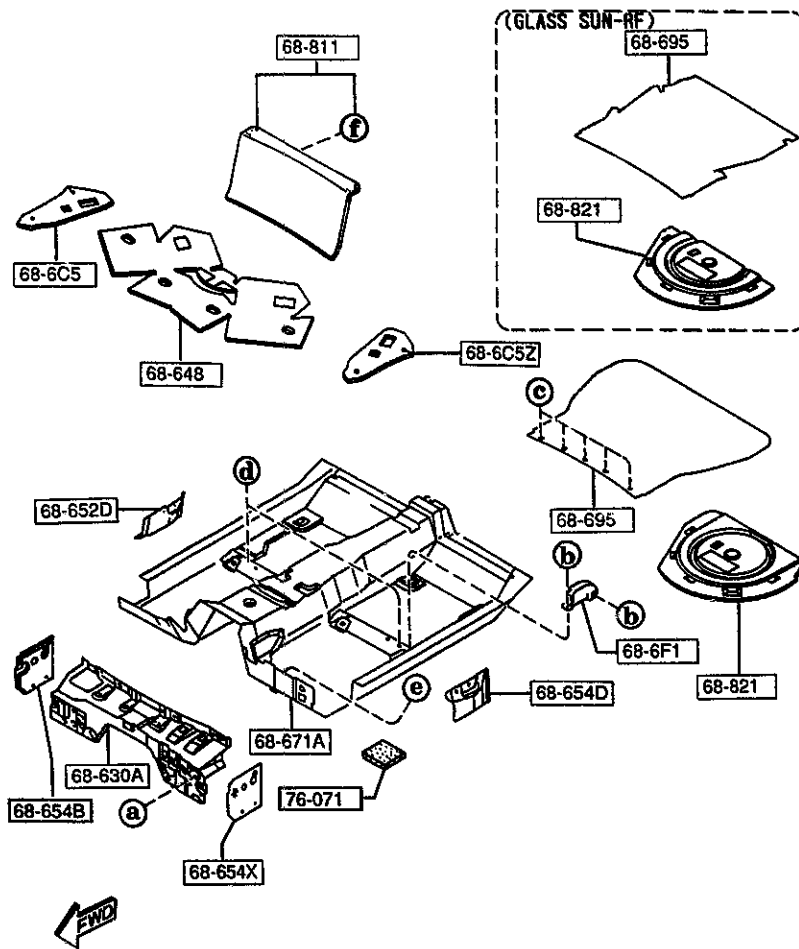
PART NO.	QTY	MODEL/RESTRICTION	MODEL/RESTRICTION	MODEL/RESTRICTION	FROM-TO
58-612		CUSHION,RUBBER			
0259-58-612	18				
69-760A		BOX,STORAGE			
FD01-69-760C	1				
02	INT-	FE5 FE6 FE7 BLACK			
69-762		PLATE,LOCK			
FD01-69-768A	1				
02	INT-	FE5 FE6 FE7 BLACK			
69-771A		LID(R),OUTER-STRAE BOX			
FD01-69-771A	1				
02	INT-	FE5 FE6 FE7 BLACK			
69-771Y		LID(L),OUTER-STRAE BOX			
FD01-69-781	1				
02	INT-	FE5 FE6 FE7 BLACK			



PART NO.	QTY	MODEL/RESTRICTION	MODEL/RESTRICTION	MODEL/RESTRICTION	FROM-TO
68-6C5		PAD(R), TIRE HOUSE			
FD01-68-644A	1				
68-6C5Z		PAD(L), TIRE HOUSE			
FD01-68-649A	1				
68-6F1		BEZZEL, OPENER LEVER			
FD01-68-6F6A	1				
02	INT-	FE5 BLACK			
17	INT-	FE7 RED			
33	INT-	FE6 TAN			
68-615B		NUT, FLANGE-CAP			
B100-68-615	8				
68-630A		INSULATOR, DASHBOARD			
FD01-68-63XE	1	(W/O SUN-RF) (STEEL SUN-RF)			
FD05-68-63XE	1	(GLASS SUN-RF)			
68-648		PAD, REAR SEAT			
FD01-68-648	1	(W/O SUN-RF) (STEEL SUN-RF)			
FD05-68-648	1	(GLASS SUN-RF)			
68-652D		INSULATOR(R), F.FLOOR			
FD01-68-6N6	1				
68-654B		INSULATOR(R), COWL SI DE			
FD01-68-6A1	1				
68-654D		INSULATOR(L), F.FLOOR			
FD01-68-6N7	1				
68-654X		INSULATOR(L), COWL SI DE			
FD01-68-6A2	1				
68-671A		MAT, FLOOR			
FD01-68-670E	1	(W/O WASHER TANK) (W/O SUN-RF) (STEEL SUN-RF)			



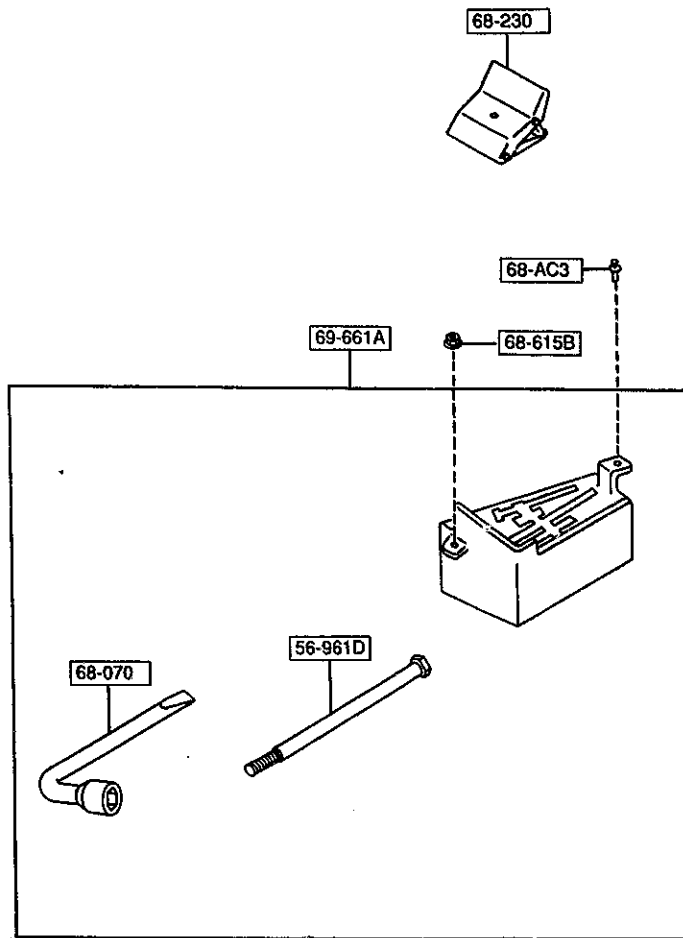
PART NO.	QTY	MODEL/RESTRICTION	MODEL/RESTRICTION	MODEL/RESTRICTION	FROM-TO
CONT'D					
02	INT-	FE5 BLACK			
17	INT-	FE7 RED			
33	INT-	FE6 TAN			
FD05-68-670E	1	(W/RR WASHER TANK) (GLASS SUN-RF)			
02	INT-	FE5 BLACK			
17	INT-	FE7 RED			
33	INT-	FE6 TAN			
68-675		FASTENER			
B100-68-675	2				
68-695		MAT, TRUNK ROOM			
FD01-68-81X	1	(W/O SUN-RF) (STEEL SUN-RF)			
02	INT-	FE5 FE6 FE7 BLACK			
FD05-68-81X	1	(GLASS SUN-RF)			
02	INT-	FE5 FE6 FE7 BLACK			
68-811		BOARD, PARTITION			
FD01-68-82X	1				
02	INT-	FE5 FE6 FE7 BLACK			
68-821		BOARD(C), TRUNK			
FD01-68-83X	1	(W/O SUN-RF) (STEEL SUN-RF)			-4525
FD05-68-83XA	1	(GLASS SUN-RF)			-4525
68-865		FASTENER			
G032-68-865A	5				
00	INT-	FE5 FE6 FE7 BLACK			
68-865A		FASTENER			
BF70-68-865	2				
00	INT-	FE5 BLACK			
17	INT-	FE7 WINE			
33	INT-	FE6 TAN			
69-885C		FASTENER			
4525 FD333*-303554					



(a)	(b)	(c)	(d)	(e)	(f)
68-615B	68-675	68-865	68-865A	69-885C	99668-04103

PART NO.	QTY	MODEL/RESTRICTION	MODEL/RESTRICTION	MODEL/RESTRICTION	FROM-TO
CONT'D					
UB54-68-885	1				
00	INT-	FE5 BLACK			
18	INT-	FE7 RED			
82	INT-	FE6 BEIGE			
76-071		SILENCER, FLOOR			
0208-76-071	1	30CMX30CM (GLASS SUN-RF)			

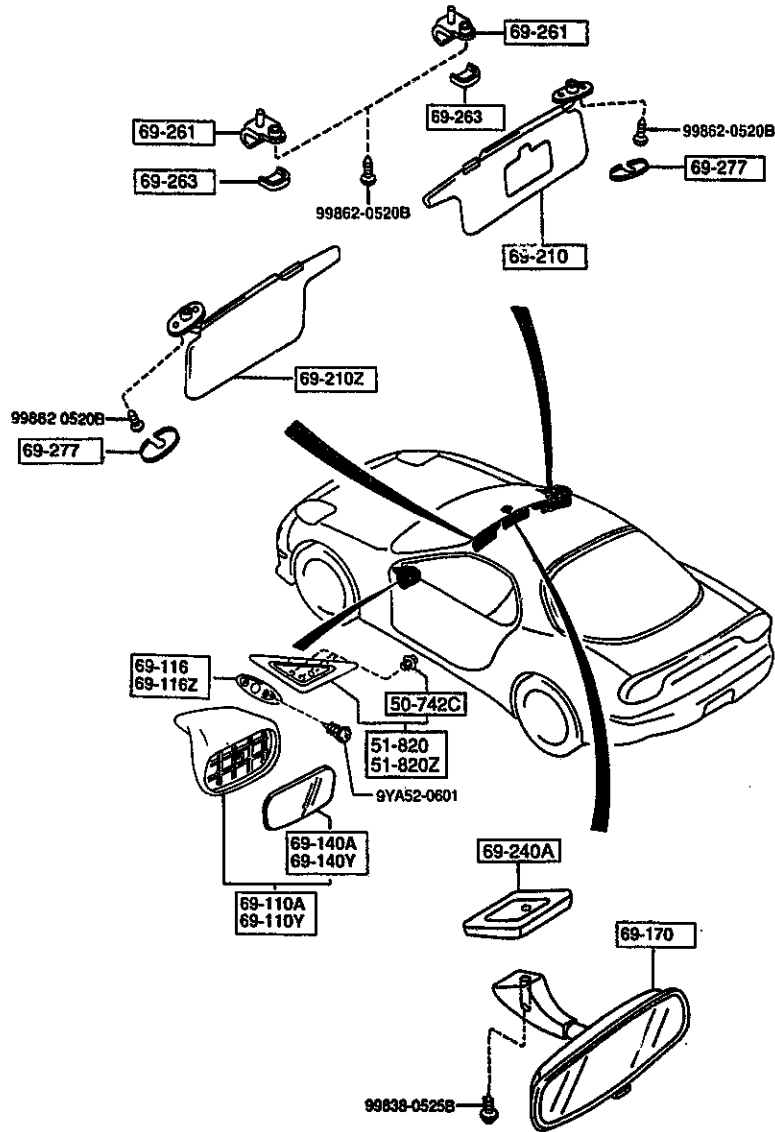




PART NO.	QTY	MODEL/RESTRICTION	MODEL/RESTRICTION	MODEL/RESTRICTION	FROM-TO
56-961D		BOLT			
FD01-56-961	1				
68-AC3		FASTENER			
FD01-68-AC3	1				
68-070		WRENCH, HUB NUT			
NA01-68-070	1				
68-230		STOPPER, WHEEL			
0208-68-230	1				
68-615B		NUT, FLANGE-CAP			
B100-68-615	1				
69-661A		BOX, TOOL			
FD01-69-67YA	1				

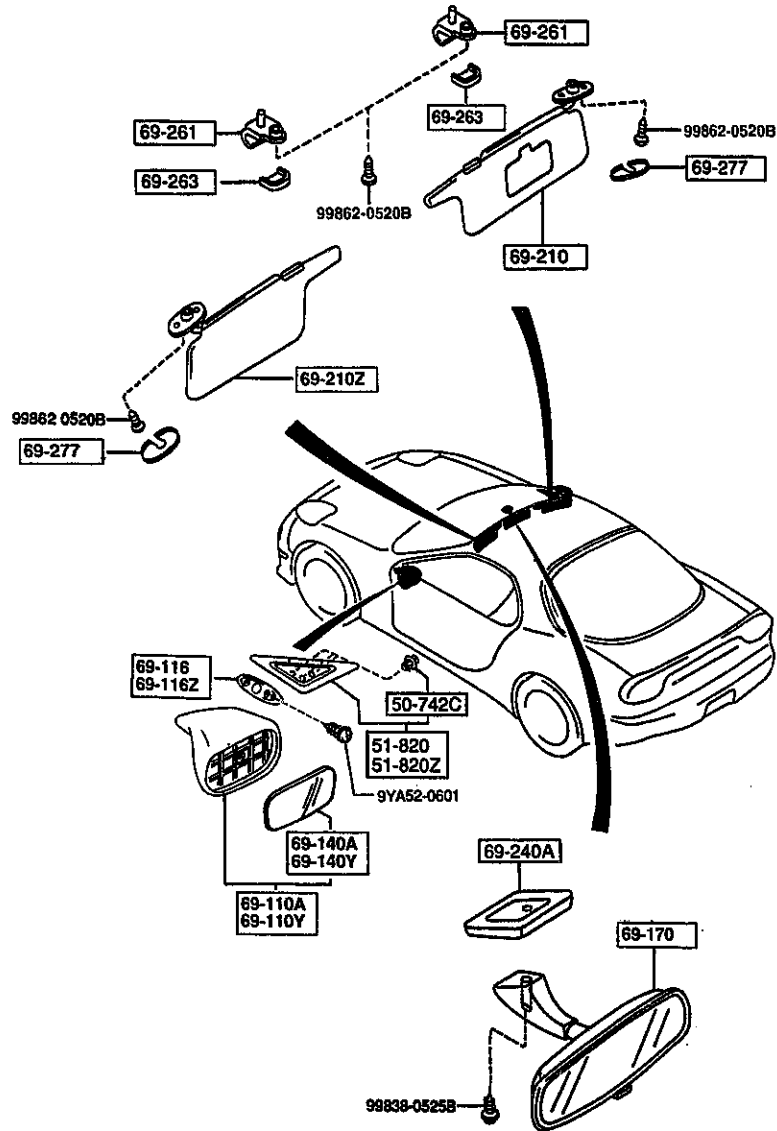
6900 VISORS, ASSIST HANDLES & MIRRORS

6900 -1 VISORS, ASSIST HANDLES & MIRRORS



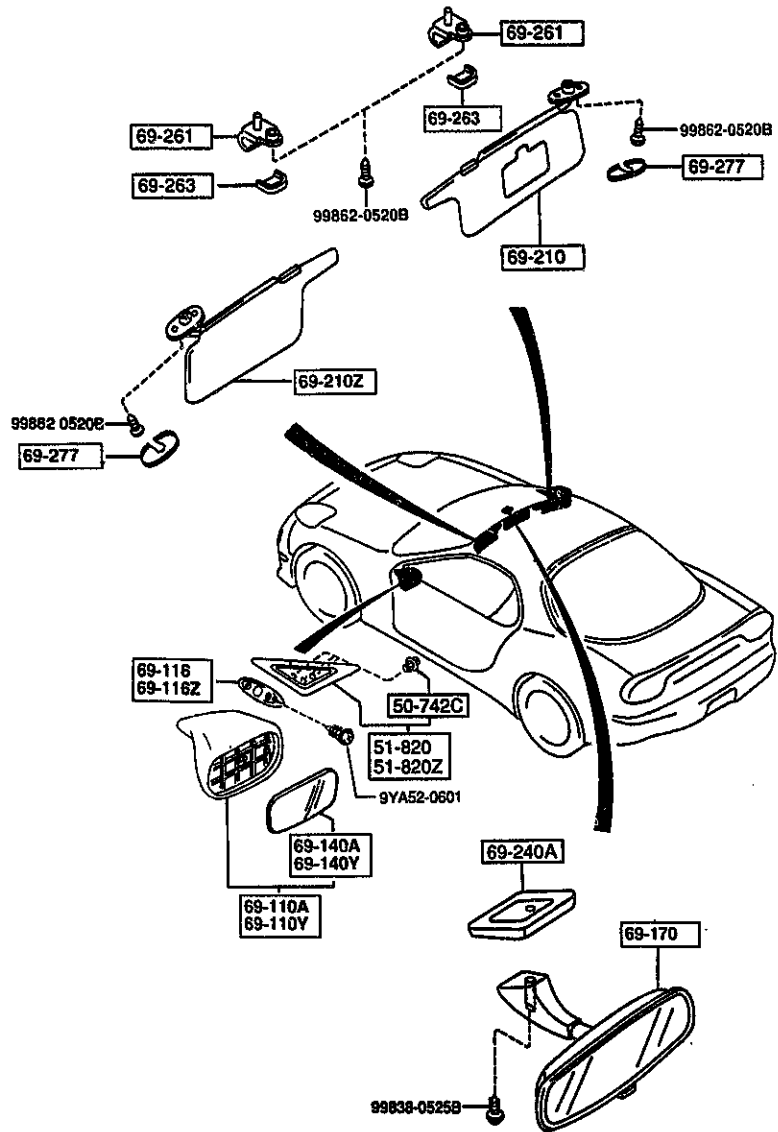
PART NO.	QTY	MODEL/RESTRICTION	MODEL/RESTRICTION	MODEL/RESTRICTION	FROM-TO
50-742C		CLIP			
6043-50-742	6				
51-820		GARNISH(R)			
FD01-50-8R0B	1				
51-820Z		GARNISH(L)			
FD01-50-8S0B	1				
69-110A		MIRROR(R), DOOR			
FD01-76-120	1				
MB	EXT-	MB 2A MONTEGO BLUE M			
NU	EXT-	NT NU VINTAGE RED			
PT	EXT-	PT VX CHAST WHITE			
PZ	EXT-	PX PZ BRILLIANT BLACK			
3L	EXT-	3L 4G SILVER STONE METALLIC			
69-110Y		MIRROR(L), DOOR			
FD01-76-180	1				
MB	EXT-	MB 2A MONTEGO BLUE M			
NU	EXT-	NT NU VINTAGE RED			
PT	EXT-	PT VX CHAST WHITE			
PZ	EXT-	PX PZ BRILLIANT BLACK			
3L	EXT-	3L 4G SILVER STONE METALLIC			
69-116		BASE(R), MIRROR			
FD01-69-240	1				
MB	EXT-	MB 2A MONTEGO BLUE M			
NU	EXT-	NT NU VINTAGE RED			
PT	EXT-	PT VX CHAST WHITE			
PZ	EXT-	PX PZ BRILLIANT BLACK			
3L	EXT-	3L 4G SILVER STONE METALLIC			
69-116Z		BASE(L), MIRROR			

6900 VISORS,ASSIST HANDLES & MIRRORS

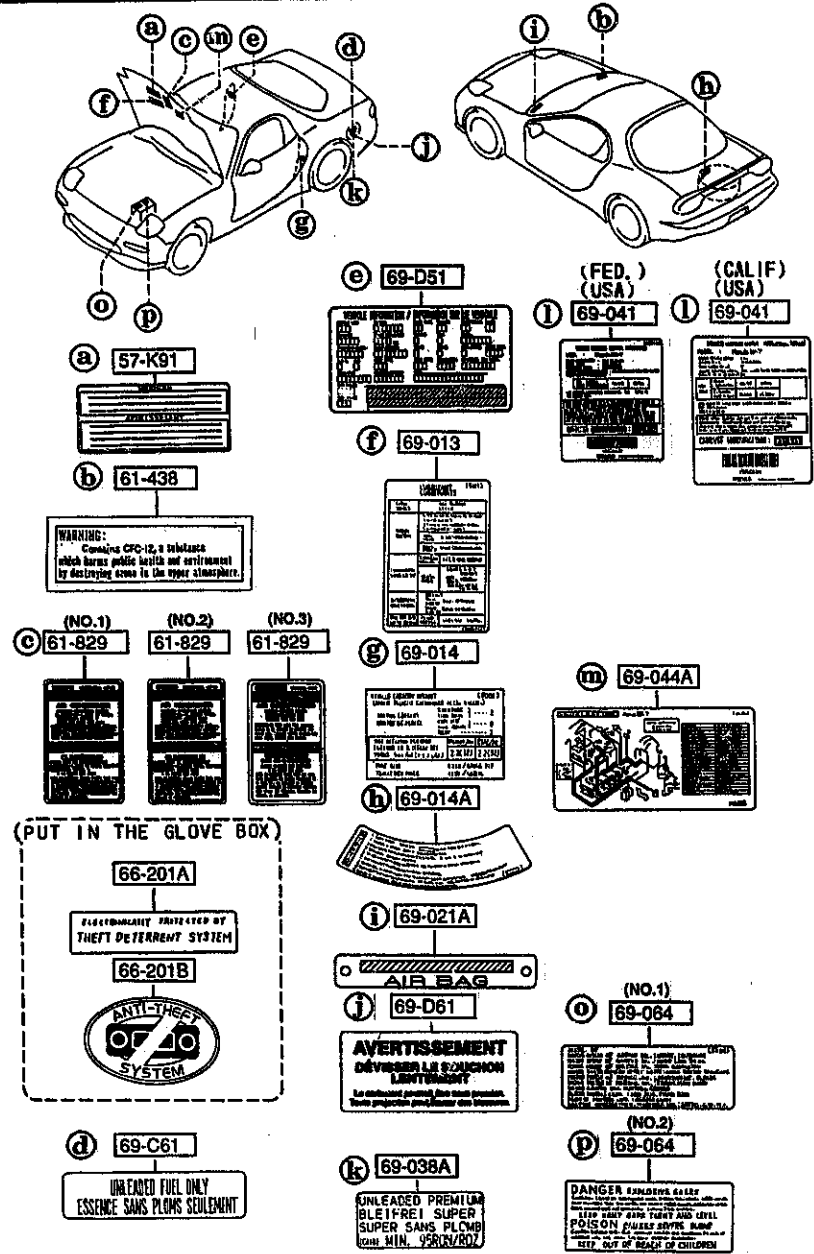


PART NO.	QTY	MODEL/RESTRICTION	MODEL/RESTRICTION	MODEL/RESTRICTION	FROM-TO
CONT'D					
FD01-69-242	1				
M8	EXT-	M8 2A MONTEGO BLUE M			
NU	EXT-	NT NU VINTAGE RED			
PT	EXT-	PT VX CHAST WHITE			
PZ	EXT-	PX PZ BRILLIANT BLACK			
3L	EXT-	3L 4G SILVER STONE METALLIC			
69-140A		GLASS(R),MIRROR			
FD01-69-123	1				
69-140Y		GLASS(L),MIRROR			
FD01-69-183	1				
69-170		MIRROR,INTERIOR			
HG31-69-220C	1				
69-210		SUN VISOR(R)			
FD01-69-270C	1	(STEEL SUN-RF) (GLASS SUN-RF)			
02	INT-	FE5 FE6 FE7 BLACK			
FD03-69-270C	1	(W/O SUN-RF)			
02	INT-	FE5 FE6 FE7 BLACK			
69-210Z		SUN VISOR(L)			
FD15-69-320	1	(W/O SUN-RF)			
02	INT-	FE5 FE6 FE7 BLACK			
FD18-69-320	1	(STEEL SUN-RF) (GLASS SUN-RF)			
02	INT-	FE5 FE6 FE7 BLACK			
69-240A		BASE,INTERIOR MIRROR			
HG31-69-240	1				
69-261		ADAPTER,SUN VISOR			
GA5R-69-261	2				
02	INT-	FE5 FE6 FE7 BLACK			
69-263		COVER,CENTER ADAPTER			

6900 VISORS, ASSIST HANDLES & MIRRORS



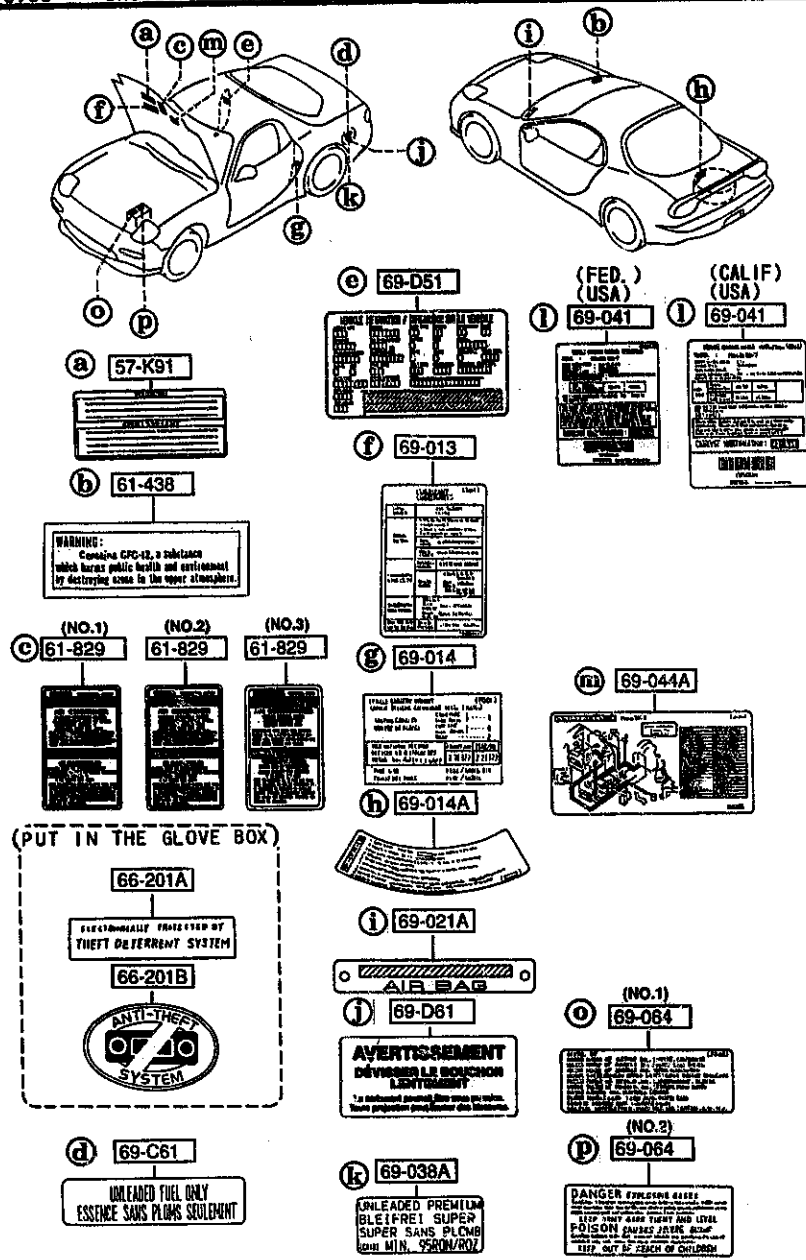
PART NO.	QTY.	MODEL/RESTRICTION	MODEL/RESTRICTION	MODEL/RESTRICTION	FROM-TO
CONT'D					
GA5R-69-263	2				
02	INT-	FE5 FE6 FE7 BLACK			
↑ 69-277 ↓		COVER, SUN VISOR			
GA5R-69-277	2				
02	INT-	FE5 FE6 FE7 BLACK			



PART NO.	QTY	MODEL/RESTRICTION	MODEL/RESTRICTION	MODEL/RESTRICTION	FROM-TO
57-K91	1	LABEL 'A', CAUTION-A/B			
KA78-57-K91	1				
61-438	1	LABEL, CAUTION (A)			
BR70-61-438	1				
61-829	1	LABEL, CAUTION (W/AIR CON.) (ILLUST. NO.1)			
FD15-61-439	1				
61-829	1	LABEL, CAUTION (A) (ILLUST. NO.2)			
FD16-61-439	1				
61-829	1	LABEL, CAUTION (A) (ILLUST. NO.3)			
NA01-61-439	1				
66-201A	1	LABEL, BURGLAR ALARM			
FB01-66-201	1				
66-201B	1	LABEL, ANTI THEFT-AUD IO			
NA01-66-201	1				
69-C61	1	LABEL, UNLEADED FUEL			
UB40-69-C61	1				
69-D51	1	LABEL, VEHICLE INFORMATION VIN NO. IS REQUIRED			
B001-69-D51	1				
69-D61	1	LABEL, FUEL WARNING			
*KA10-69-D61A	1				
69-013	1	LABEL, OIL			
FD01-69-D21	1				
AN(FD01-69-D21A)	1				
FD01-69-D21A	1				
69-014	1	LABEL, TIRE			
FD01-69-014	1				
69-014A	1	LABEL, TEMPORARY TIRE			
FD03-69-074A	1	ENGLISH			
FD04-69-074	1	FRENCH			
3807 FD333*-300032					
4201 FD333*-302262					

-3807  
3807-4201

6930 CAUTION PLATES & LABELS



PART NO.	QTY	MODEL/RESTRICTION	MODEL/RESTRICTION	MODEL/RESTRICTION	FROM-TO
CONT'D	1				
69-021A	1	PLATE, CAUTION			
NA01-69-068A	1				
69-038A	1	LABEL, GASOLINE			
HG30-69-065	1				
69-041	1	LABEL, EMISSION			
N3C1-69-036A	1	(FED. -MT)			
N3C2-69-036A	1	(CALIF. -MT)			
N3C3-69-036	1	(FED. -AT)			
N3C4-69-036 A (N3C4-69-036A)	1				-3823
N3C4-69-036A	1	(CALIF. -AT)			3823-
69-044A	1	LABEL, VAC. DIAPHRAGM			
N3A1-69-044B	1	(USA)			
69-064	1	LABEL, BATTERY			
FA03-69-C72A	1	(ILLUST. NO.1)			
FA01-69-064A	1	(ILLUST. NO.2)			
3823 FD333X-300187					

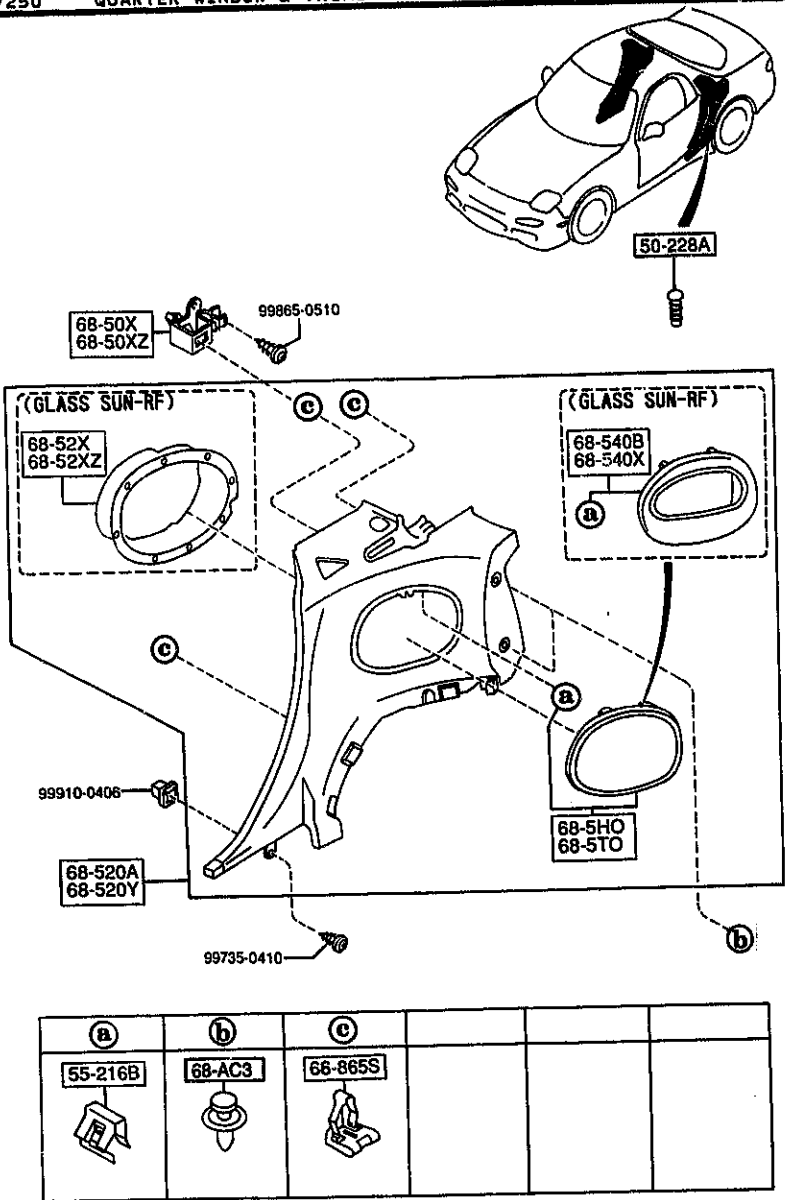
AUFA05

CAT. AUFA05-03

1995-03

7250 QUARTER WINDOW & TRIMS

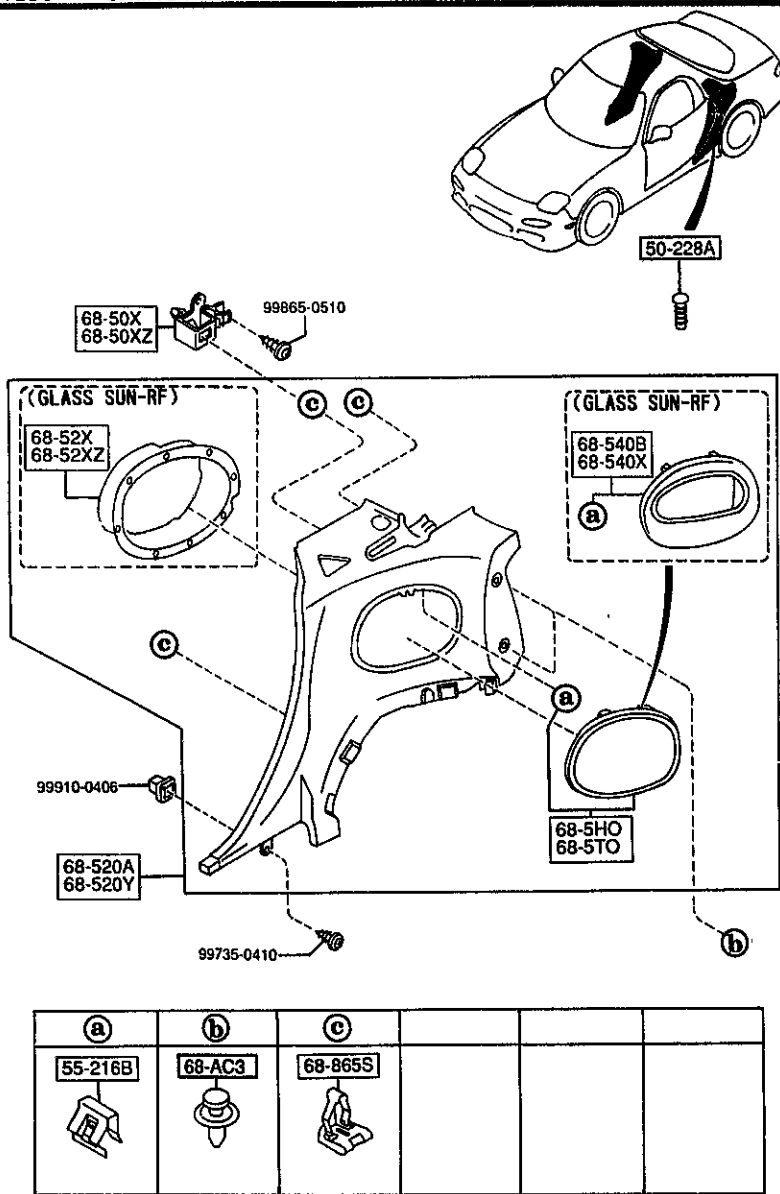
7250 -1 QUARTER WINDOW & TRIMS



PART NO.	QTY	MODEL/RESTRICTION	MODEL/RESTRICTION	MODEL/RESTRICTION	FRON-TO
50-228A D002-50-228	6	GROMMET			-3901
55-216B B092-55-257	4	SPRING,CENTER PANEL			
68-AC3 B467-68-AC3	6	FASTENER			
68-5HO FD01-68-5HOA A (FD01-68-5HOB)	1	GRILLE(R),SPEAKER			-3901
02	INT-	FE5 FE6 FE7 BLACK			
FD01-68-5HOB	1	(W/O SUN-RF) (STEEL SUN-RF)			3901-
02	INT-	FE5 FE6 FE7 BLACK			
68-5TO FD01-68-5WOA A (FD01-68-5WOB)	1	GRILLE(L),SPEAKER			-3901
02	INT-	FE5 FE6 FE7 BLACK			
FD01-68-5WOB	1	(W/O SUN-RF) (STEEL SUN-RF)			3901-
02	INT-	FE5 FE6 FE7 BLACK			
68-50X FD01-68-505	1	BRACKET(R),QUARTER T RIM			
68-50XZ FD01-68-509	1	BRACKET(L),QUARTER T RIM			
68-52X FD05-68-5C1	1	POCKET(R),QTR. TRIM (GLASS SUN-RF)			
02	INT-	FE5 FE6 FE7 BLACK			
68-52XZ FD05-68-5N1	1	POCKET(L),QTR. TRIM (GLASS SUN-RF)			
02	INT-	FE5 FE6 FE7 BLACK			
68-520A FD05-68-520F	1	TRIM(R),QUARTER (GLASS SUN-RF)			
3901 FD333*-300438					

7250 QUARTER WINDOW & TRIMS

7250 -2 \* QUARTER WINDOW & TRIMS

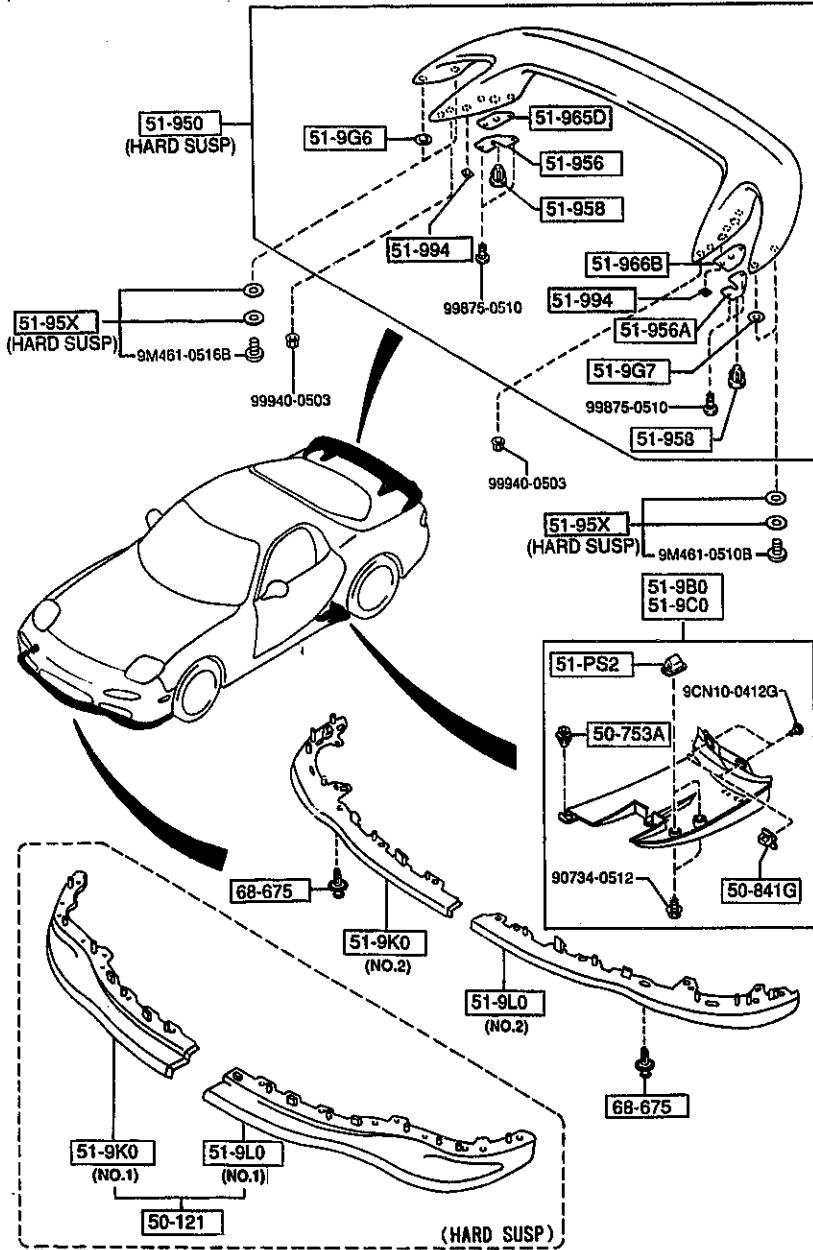


PART NO.	QTY	MODEL/RESTRICTION	MODEL/RESTRICTION	MODEL/RESTRICTION	FROM-TO
CONT'D					
02	INT-	FE5 FE6 FE7 BLACK			-3901
FD01-68-520G A (FD01-68-520H)	1				
02	INT-	FE5 FE6 FE7 BLACK			3901-
FD01-68-520H	1	(W/O SUN-RF) (STEEL SUN-RF)			
02	INT-	FE5 FE6 FE7 BLACK			
68-520Y		TRIM(L), QUARTER			
FD05-68-550F	1	(GLASS SUN-RF)			
02	INT-	FE5 FE6 FE7 BLACK			
FD01-68-550G A (FD01-68-550H)	1				-3901
02	INT-	FE5 FE6 FE7 BLACK			3901-
FD01-68-550H	1	(W/O SUN-RF) (STEEL SUN-RF)			
02	INT-	FE5 FE6 FE7 BLACK			
68-540B		COVER(R), QTR. TRIM			
FD05-68-5CX	1	(GLASS SUN-RF)			
02	INT-	FE5 FE6 FE7 BLACK			
68-540X		COVER(L), QTR. TRIM			
FD05-68-5NX	1	(GLASS SUN-RF)			
02	INT-	FE5 FE6 FE7 BLACK			
68-865S		CLIP, TRIM			
GJ12-68-865	18				
3901 FD333X-300438					



7800 SPOILERS & RELATED PARTS

7800 -1 SPOILERS & RELATED PARTS



PART NO.	QTY	MODEL/RESTRICTION	MODEL/RESTRICTION	MODEL/RESTRICTION	FROM-TO
50-121		DAM,AIR-SKIRT			
FD03-51-9H0	1	(HARD SUSP)			
50-753A		FASTENER			
G043-50-753	2				
50-841G		GROMMET,SCREW			
F044-51-912	4				
51-PS2		SCREW,GROMMET			
FC17-51-PS2A	4				
51-9B0		SPOILER(R),SIDE			
FD01-51-9B0B	1				
51-9C0		SPOILER(L),SIDE			
FD01-51-9C0B	1				
51-9G6		GASKET(R),SPOILER			
FD03-51-9G6	1	(HARD SUSP)			
51-9G7		GASKET(L),SPOILER			
FD03-51-9G7	1	(HARD SUSP)			
51-9K0		SKIRT(R),FRONT AIR D AM			
FD03-51-9H1A	1	(ILLUST. NO.1) (HARD SUSP)			
FD01-51-9K1	1	(ILLUST. NO.2)			
51-9L0		SKIRT(L),FRONT AIR D AM			
FD03-51-9H2A	1	(ILLUST. NO.1) (HARD SUSP)			
FD01-51-9L1	1	(ILLUST. NO.2)			
51-95X		SCREW SET			
BW1N-51-95X	4	(HARD SUSP)			
51-950		SPOILER,REAR			
FD03-51-960A	1	(HARD SUSP)			
M8	EXT-	M8 2A MONTEGO BLUE M			
NU	EXT-	NT NU VINTAGE RED			
3B02 FD333*-301137					

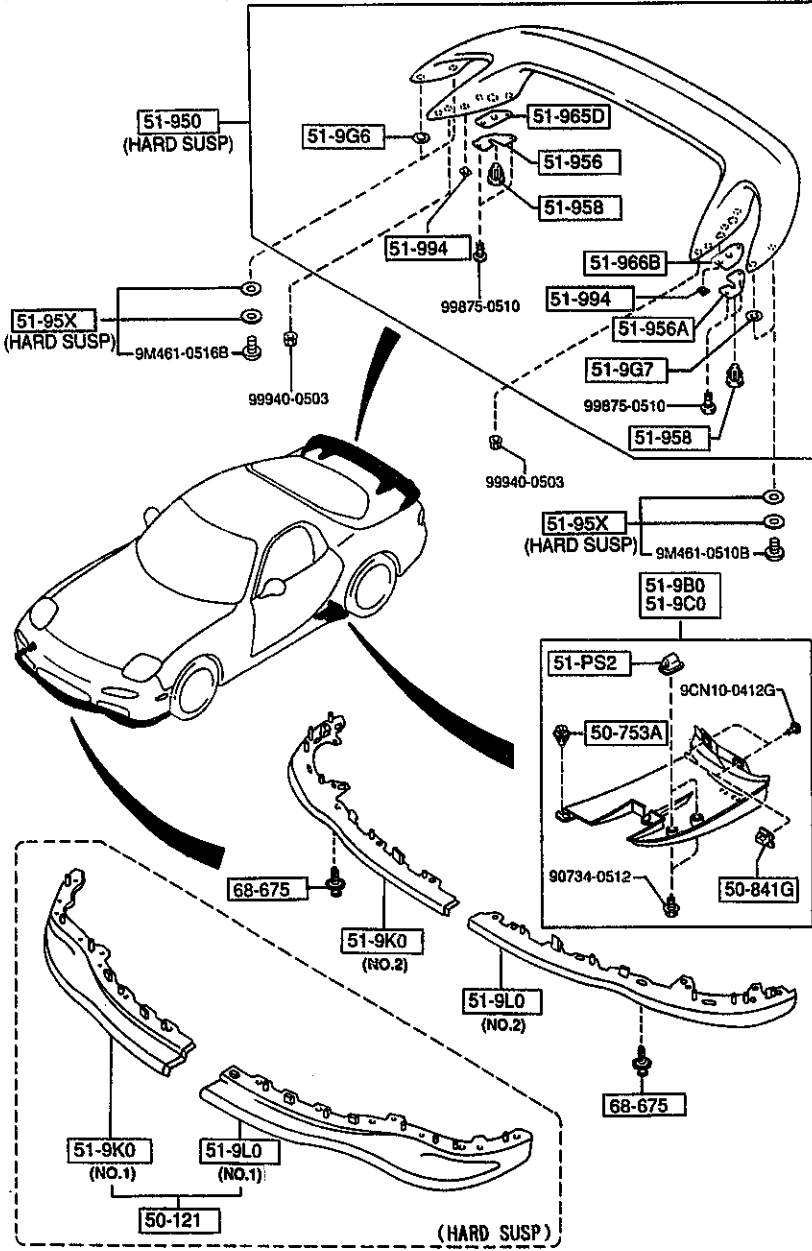
-3B02

AUFA05

CAT. AUFA05-03

1995-03

7800 SPOILERS & RELATED PARTS



7800 -2 SPOILERS & RELATED PARTS

PART NO.	QTY	MODEL/RESTRICTION	MODEL/RESTRICTION	MODEL/RESTRICTION	FROM-TO
<b>CONT'D</b>					
PT	EXT-	PT VX CHAST WHITE			
PZ	EXT-	PX PZ BRILLIANT BLACK			
3L	EXT-	3L 4G SILVER STONE METALLIC			
FD03-51-960B	1	(HARD SUSP)			3B02-4510
MB	EXT-	MB 2A MONTEGO BLUE M			
NU	EXT-	NT NU VINTAGE RED			
PT	EXT-	PT VX CHAST WHITE			
PZ	EXT-	PX PZ BRILLIANT BLACK			
3L	EXT-	3L 4G SILVER STONE METALLIC			
*FD03-51-960C	1	(HARD SUSP)			4510-
* MB	EXT-	MB 2A MONTEGO BLUE M			
* NU	EXT-	NT NU VINTAGE RED			
* PT	EXT-	PT VX CHAST WHITE			
* PZ	EXT-	PX PZ BRILLIANT BLACK			
* 3L	EXT-	3L 4G SILVER STONE METALLIC			
		51-956	BRACKET(R), SPOILER		
FD03-51-965	1	(HARD SUSP)			
		51-956A	BRACKET(L), SPOILER		
FD03-51-966	1	(HARD SUSP)			
		51-958	CLIP, SPOILER		
B459-51-958	2	(HARD SUSP)			
		51-965D	GASKET(C), SPOILER		
FD03-51-968	1				-3B02
AN(FD03-51-968A)					
FD03-51-968A	1	(HARD SUSP)			3B02-
		51-966B	GASKET, SPOILER		
FD03-51-969	1				-3B02
AN(FD03-51-969A)					
FD03-51-969A	1	(HARD SUSP)			3B02-
3B02 FD333*-301137					
4510 FD333*-303536					

AUFA05

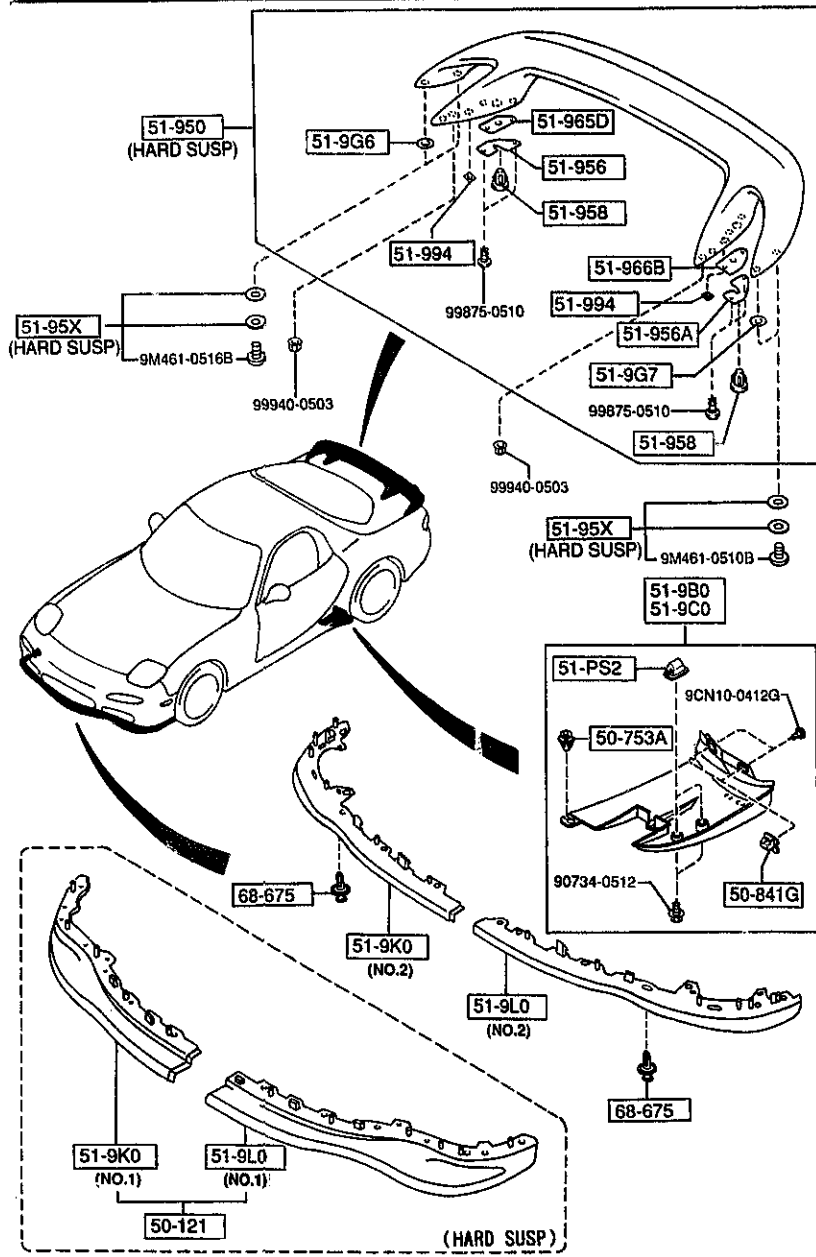
CAT. AUFA05-03

1995-03

3-M10

7800 -3 \* SPOILERS & RELATED PARTS

7800 SPOILERS & RELATED PARTS



PART NO.	QTY	MODEL/RESTRICTION	MODEL/RESTRICTION	MODEL/RESTRICTION	FROM-TO
51-994		GASKET,RR SPOILER			
*FD03-51-994	2	(HARD SUSP)			4510-
68-675		FASTENER			
B100-68-675	2				
00	EXT-	M8 NT NU PT PX PZ VX 2A 3L 4G N6 BLACK			
4510 FD333*-303536					

AUFA05

CAT. AUFA05-03

1995-03