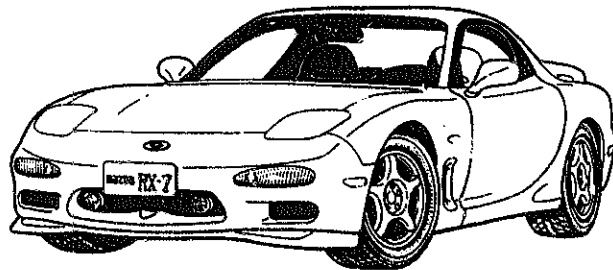


Parts Catalog

Mazda RX-7
U.S.A.
(95)



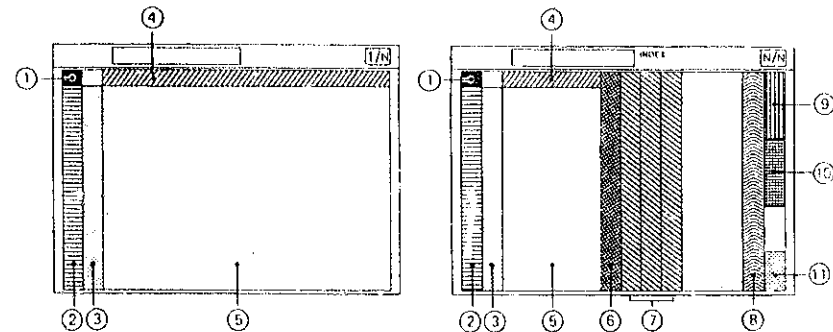
FD333 - 400001-500000

Feb.'97 (FINAL)
Catalog No. AU-FA06-04

mazda
© 1997 Mazda Motor Corporation

LAYOUT OF CONTENTS / DISPOSITION TYPOGRAPHIQUE DE CONTENU / DISPOSICION DEL CONTENIDO / ANORDNUNG DES INHALTS


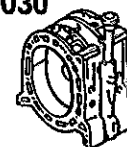
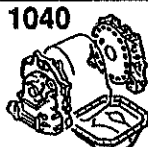
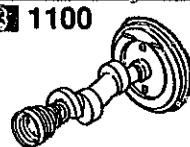

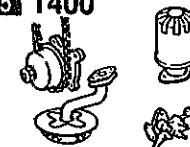
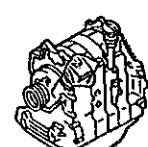
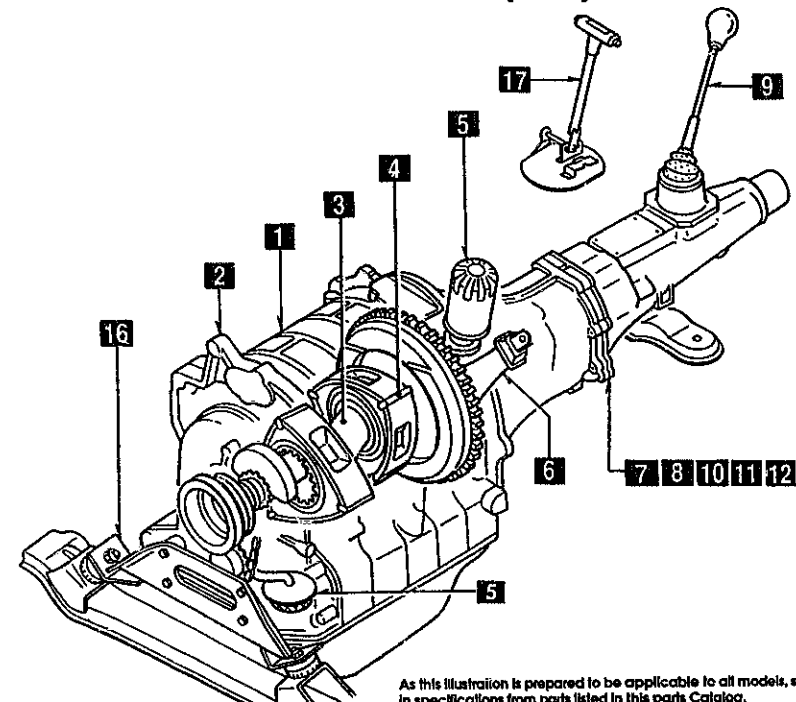
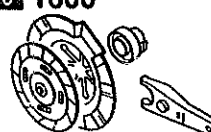
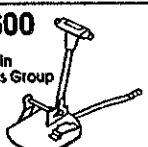
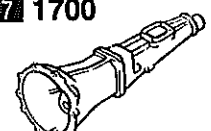
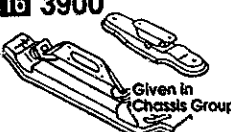
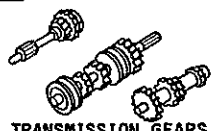
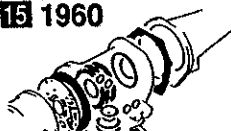
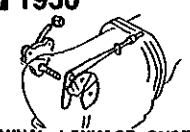
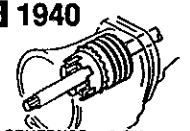
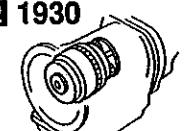
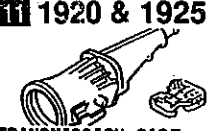
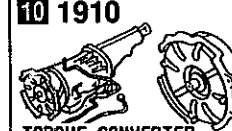
- The following is a typical example of the layout of contents on Mazda microfiche parts catalog.
- Voici un exemple typique de la disposition typographique de contenu dans les microfiches de catalogue des pièces de Mazda.
- El siguiente es un ejemplo típico de la disposición del contenido en una microficha del catálogo de repuestos de Mazda.
- Folgendes ist ein typisches Beispiel der Inhaltsanordnung des Mazda-Mikrofiche Teilekatalogs.




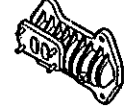



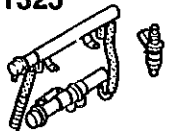
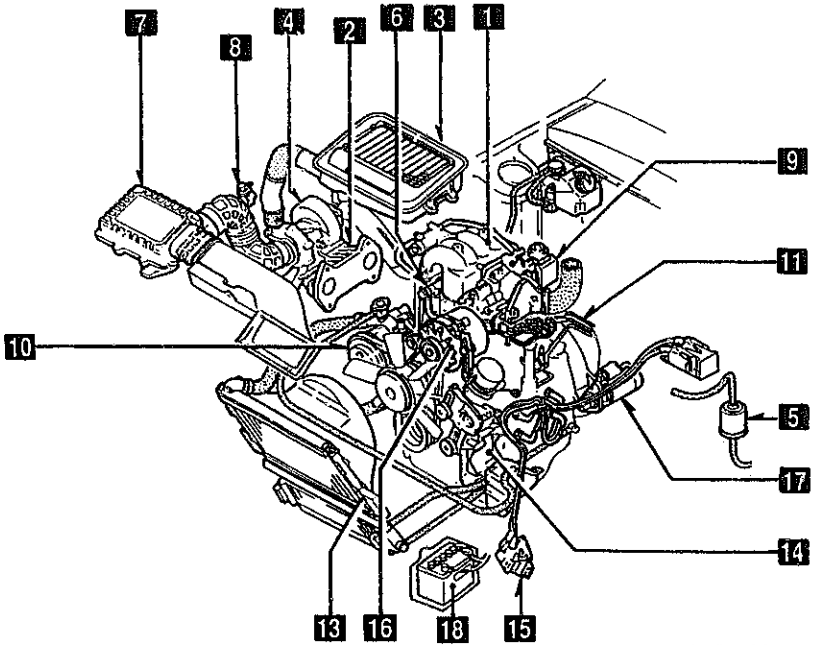
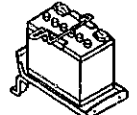

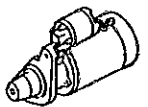

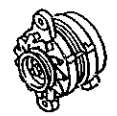
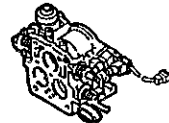
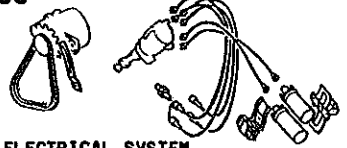
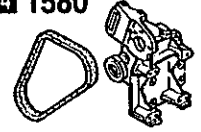
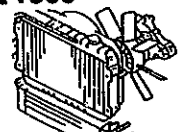
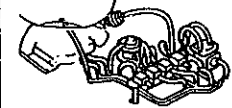
Remark : The items listed under ④ have been deleted from each fiche since Dec. '93

- | | | |
|--|---|---|
| ① • Layout of contents
• Disposition Typographique de Contenu
• Disposición del contenido
• Anordnung des Inhalts | ② • Pictorial Index
• Index par Schémas
• Índice Gráfico
• Illustrierter Index | ③ • Master Section No. Index
• Index des Numéros des Sections Totale
• índice del Número de la Sección Maestra
• Hauptabschnittsnummer-Index |
| ④ • Section No. Index for the Column
• Index des Numéros des Sections pour les Colonnes
• N° de la Sección para el Índice
• Abschnittsnummer-Index für die Spalte | ⑤ • Illustration & Text
• Illustrations et Textes
• Ilustración y Texto
• Abbildung und Text | ⑥ • Part No. Index
• Index des Numéros des Pièces
• Índice del N° de Pieza
• Teile-Nr.-Index |
| ⑦ • Alphabetical Index
• Index Alphabétique
• Índice Alfabético
• Alphabetischer Index | ⑧ • Model Identification
• Identification des Modèles
• Identificación del Modelo
• Modell-Kennzeichnung | ⑨ • Vehicle Identification System
• Système d'Identification de Véhicule
• Sistema de Identificación de Vehículo
• Fahrzeug-Identifikations-system |

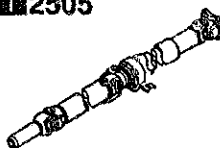
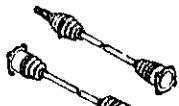


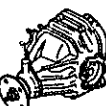

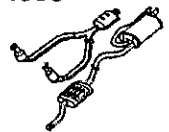
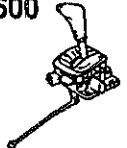
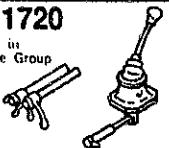
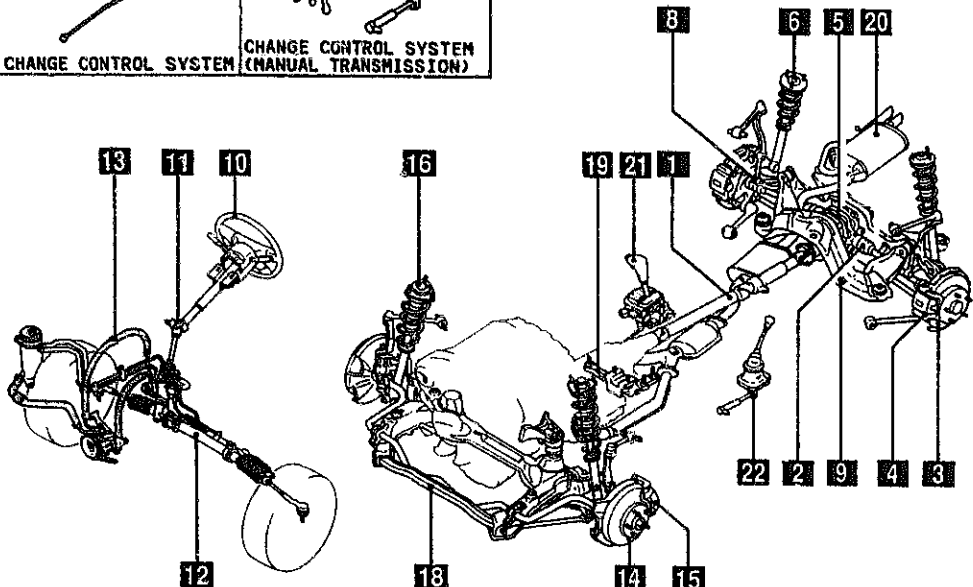
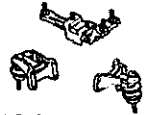

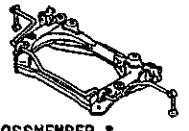
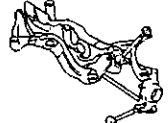

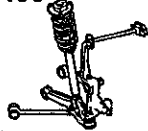


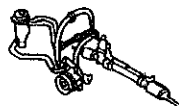


PICTORIAL INDEX

<p>1000</p>  <p>ROTOR HOUSINGS</p>	<p>1 1030</p>  <p>ROTOR HOUSINGS</p>	<p>2 1040</p>  <p>OIL PAN, FRONT & REAR HOUSING</p>	<p>3 1100</p>  <p>ECCENTRIC SHAFT & FLYWHEEL</p>	<p>4 1110</p>  <p>ROTORS & RELATED PARTS</p>	<p>5 1400</p>  <p>OIL PUMP & FILTER</p>
<p>ENGINE & GASKET SETS</p>  <p>ENGINE & GASKET SETS</p>	<p>ENGINE (1/2)</p> 				<p>6 1600</p>  <p>CLUTCH DISC & COVER (MANUAL)</p>
<p>17 4600</p> <p>Given in Chassis Group</p>  <p>CHANGE CONTROL SYSTEM (AT)</p>	<p>As this illustration is prepared to be applicable to all models, some parts are different in specifications from parts listed in this parts Catalog.</p>				<p>7 1700</p>  <p>TRANSMISSION CASE (MANUAL)</p>
<p>16 3900</p> <p>Given in Chassis Group</p>  <p>ENGINE & TRANSMISSION MOUNTINGS</p>	<p>7 8 10 11 12 13 14 15</p>				<p>8 1710</p>  <p>TRANSMISSION GEARS (MANUAL)</p>
<p>15 1960</p>  <p>GASKET & SEAL KIT (AUTOMATIC)</p>	<p>14 1950</p>  <p>MANUAL LINKAGE SYSTEM (AUTOMATIC)</p>	<p>13 1940</p>  <p>GOVERNOR, LOW & REVERSE PISTON (AUTOMATIC)</p>	<p>12 1930</p>  <p>CLUTCHES & PLANETARY GEARS (AUTOMATIC)</p>	<p>11 1920 & 1925</p>  <p>TRANSMISSION CASE & MAIN CONTROL SYSTEM (AUTOMATIC)</p>	<p>10 1910</p>  <p>TORQUE CONVERTER, OIL PUMP & PIPINGS (AUTOMATIC)</p>

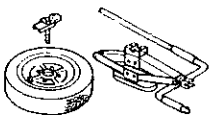
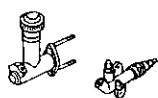
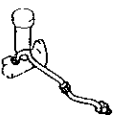
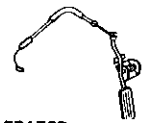
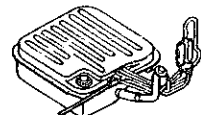
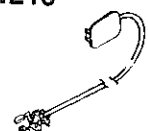
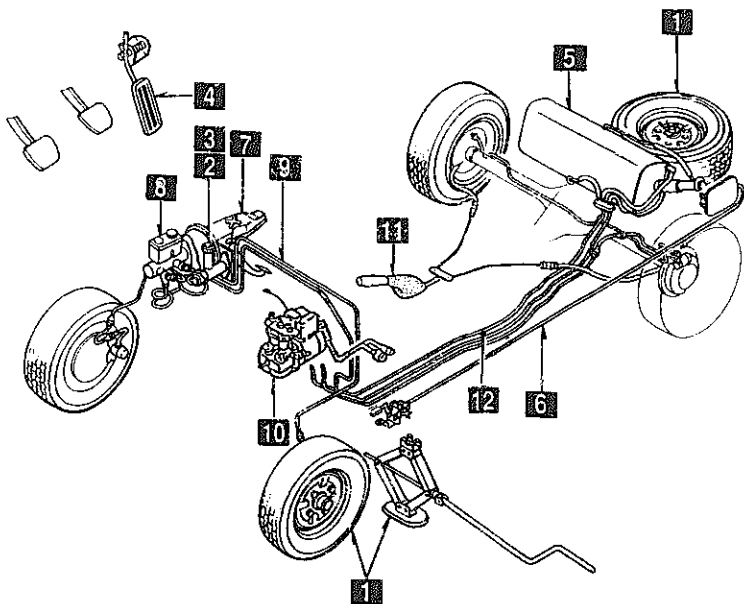
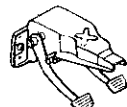
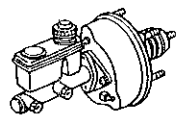

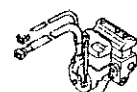
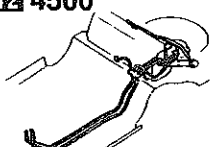

PICTORIAL INDEX

1 1300  INLET MANIFOLD	2 1310  EXHAUST MANIFOLD	3 1311  INTER COOLER	4 1312  TURBO CHARGER	5 1320  FUEL SYSTEM	6 1325  FUEL DISTRIBUTOR
<h3 style="margin: 0;">ENGINE (2/2)</h3> 					
10 1850  BATTERY					7 1330  AIR CLEANER
17 1840  STARTER					8 1313  TWIN TURBO AIR INTAKE SYSTEM
16 1830  ALTERNATOR					9 1364  THROTTLE BODY
As this illustration is prepared to be applicable to all models, some parts are different in specifications from parts listed in this parts Catalog.					
15 1800  ENGINE ELECTRICAL SYSTEM	14 1580  BRACKET, PULLEY & BELT	13 1500  COOLING SYSTEM			11 1380  EMISSION CONTROL SYSTEM

PICTORIAL INDEX

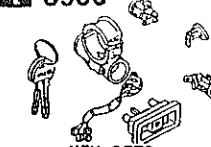

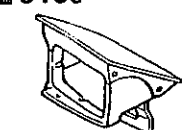
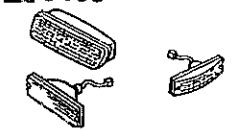
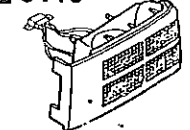

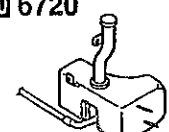
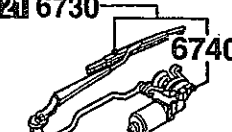
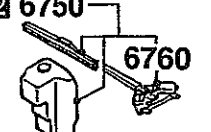

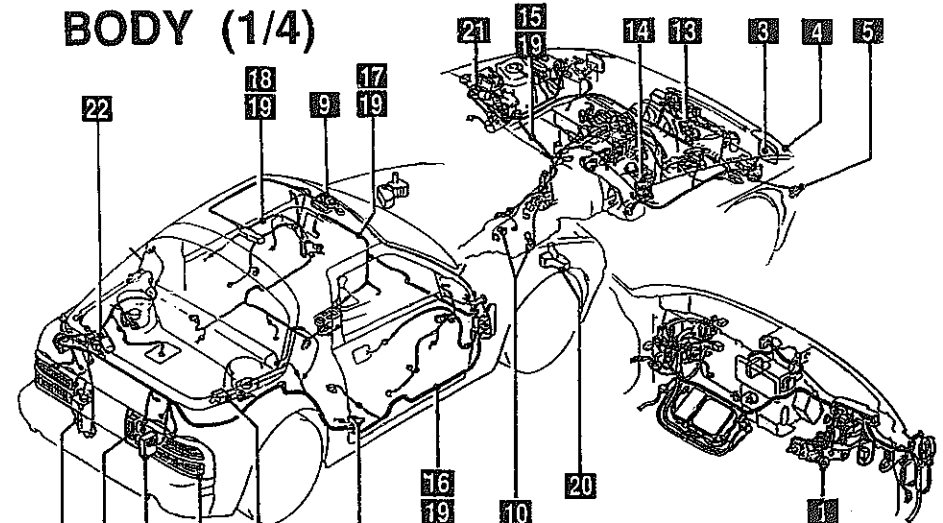
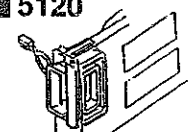
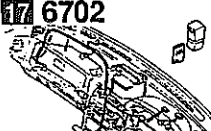
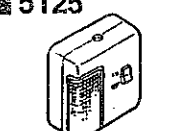



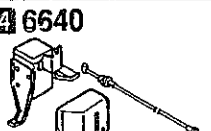
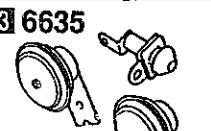
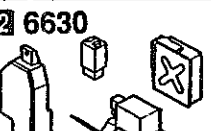

<p>1 2505</p>  <p>REAR PROPELLER SHAFT</p>	<p>2 2550</p>  <p>REAR DRIVE SHAFT</p>	<p>3 2600</p>  <p>REAR AXLE</p>	<p>4 2610</p>  <p>REAR BRAKE MECHANISMS</p>	<p>5 2710</p>  <p>REAR DIFFERENTIALS</p>	<p>6 2800</p>  <p>REAR SUSPENSION MECHANISMS</p>	
<p>20 4000</p>  <p>EXHAUST SYSTEM</p>	<p>21 4600</p>  <p>CHANGE CONTROL SYSTEM</p>	<p>22 1720 Given in Engine Group</p>  <p>CHANGE CONTROL SYSTEM (MANUAL TRANSMISSION)</p>		<p>CHASSIS (1/2)</p> 		<p>7</p>
<p>19 3900</p>  <p>ENGINE & TRANSMISSION MOUNTINGS</p>	<p>As this illustration is prepared to be applicable to all models, some parts are different in specifications from parts listed in this parts Catalog.</p>				<p>8 2810</p>  <p>REAR STABILIZER</p>	
<p>18 3410</p>  <p>CROSSMEMBER & STABILIZER</p>					<p>9 2830</p>  <p>REAR LOWER ARMS & SUB FRAME</p>	
<p>17</p>					<p>10 3200</p>  <p>STEERING WHEEL</p>	
<p>16 3400</p>  <p>FRONT SUSPENSION MECHANISMS</p>	<p>15 3310</p>  <p>FRONT BRAKE MECHANISMS</p>	<p>14 3300</p>  <p>FRONT AXLE</p>	<p>13 3240</p>  <p>POWER STEERING SYSTEM (FRONT)</p>	<p>12 3220</p>  <p>STEERING GEAR</p>	<p>11 3210</p>  <p>STEERING COLUMN & SHAFTS</p>	

PICTORIAL INDEX

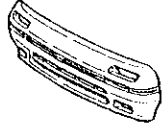
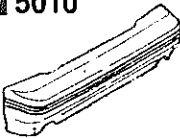

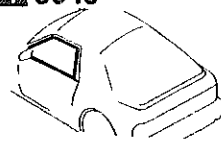
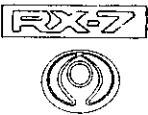
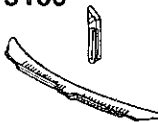

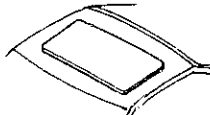

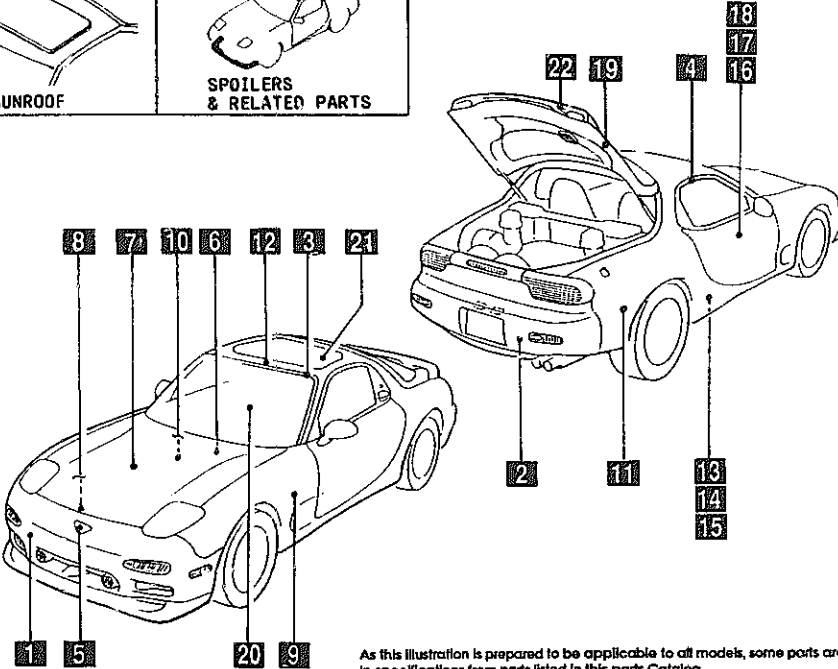
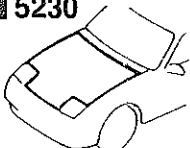
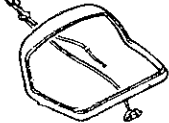
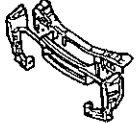



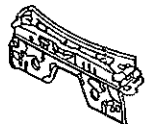
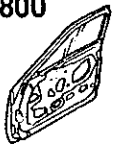
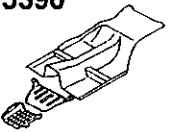



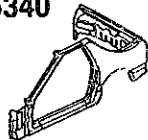
1 3700  TIRES & JACK	2 4140  CLUTCH RELEASE & MASTER CYLINDERS	3 4145  CLUTCH PIPINGS	4 4160  ACCELERATOR CONTROL SYSTEM	5 4200  FUEL TANK	6 4210  FUEL LID OPENER
<h3 style="margin: 0;">CHASSIS (2/2)</h3> 					
					7 4300  CLUTCH & BRAKE PEDALS
					8 4340  BRAKE MASTER CYLINDER & POWER BRAKE
					9 4360  BRAKE PIPINGS
					10 4370  ANTILOCK BRAKE SYSTEM
				12 4500  FUEL PIPINGS	11 4400  PARKING BRAKE SYSTEM

As this illustration is prepared to be applicable to all models, some parts are different in specifications from parts listed in this parts Catalog.

PICTORIAL INDEX

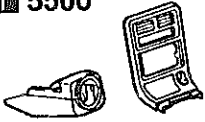
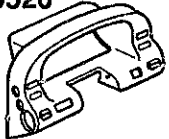
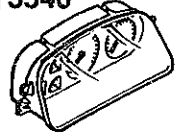
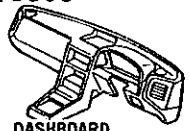
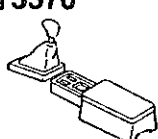




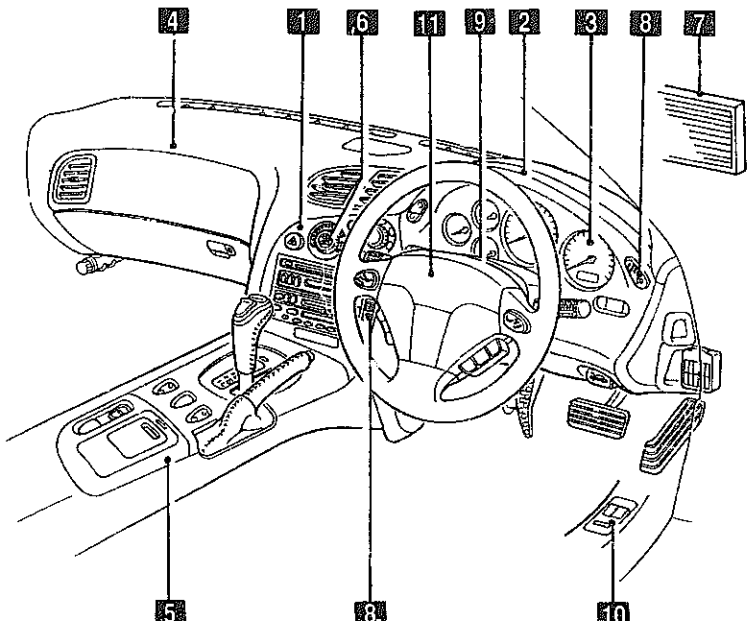
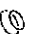
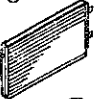



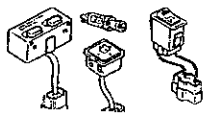

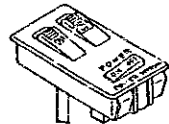
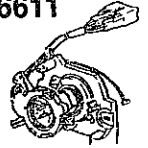
<p>1 0900</p>  <p>KEY SETS</p>		<p>3 5100</p>  <p>HEAD LAMPS</p>	<p>4 5103</p>  <p>HEAD LAMP RETRACTORS</p>	<p>5 5105</p>  <p>FRONT COMBINATION LAMPS</p>	<p>6 5110</p>  <p>REAR COMBINATION LAMPS</p>
<p>19 6704</p>  <p>WIRING HARNESS CLAMPS</p>	<p>20 6720</p>  <p>WINDSHIELD WASHER</p>	<p>21 6730</p>  <p>WINDSHIELD WIPERS</p>	<p>22 6750</p>  <p>WINDOW WIPER & WASHER (REAR)</p>		
<p>18 6703</p>  <p>WIRING HARNESSSES (DOOR, FLOOR/CEILING)</p>	<p>BODY (1/4)</p>  <p style="font-size: small; text-align: center;">As this illustration is prepared to be applicable to all models, some parts are different in specifications from parts listed in this parts Catalog.</p>				<p>7 5120</p>  <p>LICENSE LAMPS</p>
<p>17 6702</p>  <p>WIRING HARNESSSES (DASHBOARD)</p>					<p>8 5125</p>  <p>INTERIOR LAMPS</p>
<p>16 6700</p>  <p>WIRING HARNESSSES (FRONT & REAR)</p>					<p>9 5130</p>  <p>OVERHEAD CONSOLE</p>
<p>15 6701</p>  <p>WIRING HARNESSSES (ENGINE & T/MISSION)</p>	<p>14 6640</p>  <p>AUTO CRUISE CONTROL SYSTEM</p>	<p>13 6635</p>  <p>DOOR SWITCH & HORNS</p>	<p>12 6630</p>  <p>RELAYS & UNIT (BODY)</p>	<p>11</p>  <p>SWITCHES & RELAYS (ENGINE)</p>	

PICTORIAL INDEX

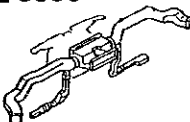


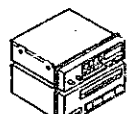
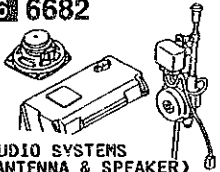
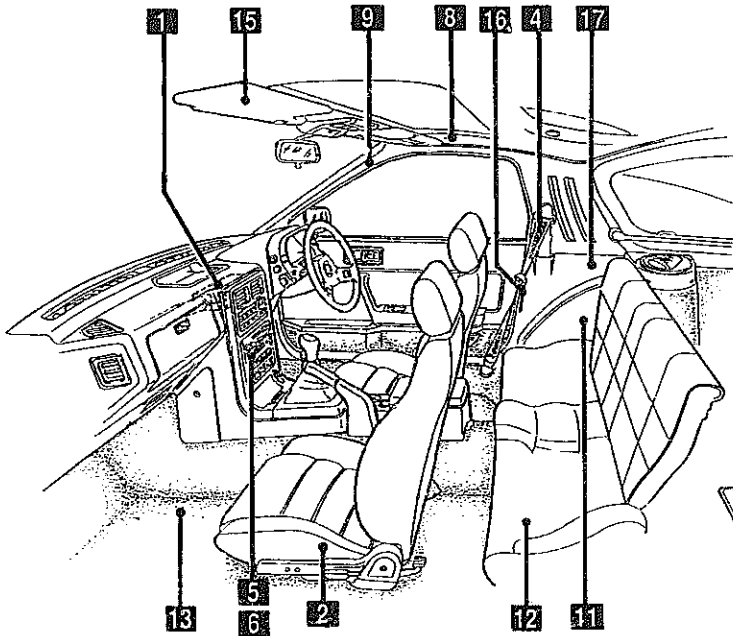
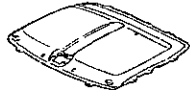




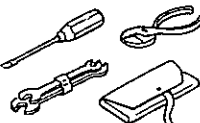
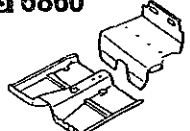
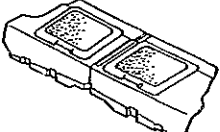

<p>1 5000</p>  <p style="text-align: center;">FRONT BUMPER</p>	<p>2 5010</p>  <p style="text-align: center;">REAR BUMPER</p>	<p>3 5030</p>  <p style="text-align: center;">WINDOW MOULDINGS</p>	<p>4 5040</p>  <p style="text-align: center;">BODY MOULDINGS</p>	<p>5 5170</p>  <p style="text-align: center;">ORNAMENTS</p>	<p>6 5180</p>  <p style="text-align: center;">COWL & EXTRACTOR GRILLES</p>
<p>20 6300</p>  <p style="text-align: center;">WINDOW GLASSES</p>	<p>21 6330</p>  <p style="text-align: center;">SUNROOF</p>	<p>22 7800</p>  <p style="text-align: center;">SPOILERS & RELATED PARTS</p>	<p>BODY (2/4)</p> 		<p>7 5230</p>  <p style="text-align: center;">BONNET</p>
<p>19 6230</p>  <p style="text-align: center;">LIFT GATE MECHANISMS</p>				<p>8 5310</p>  <p style="text-align: center;">FRONT PANELS</p>	
<p>18 5840</p>  <p style="text-align: center;">FRONT DOOR TRIMS & RELATED PARTS</p>				<p>9 5320</p>  <p style="text-align: center;">FENDER & WHEEL APRON PANELS</p>	
<p>17 5830</p>  <p style="text-align: center;">FRONT DOOR MECHANISMS</p>				<p>10 5330</p>  <p style="text-align: center;">DASH & COWL PANELS</p>	
<p>16 5800</p>  <p style="text-align: center;">FRONT DOORS</p>	<p>15 5390</p>  <p style="text-align: center;">FLOOR ATTACHMENTS</p>	<p>14 5380</p>  <p style="text-align: center;">FLOOR ATTACHMENTS (HOLE COVERS)</p>	<p>13 5370</p>  <p style="text-align: center;">FLOOR PANELS</p>	<p>12 5360</p>  <p style="text-align: center;">ROOF PANELS</p>	<p>11 5340</p>  <p style="text-align: center;">SIDE PANELS</p>

As this illustration is prepared to be applicable to all models, some parts are different in specifications from parts listed in this parts Catalog.

PICTORIAL INDEX

<p>1 5500</p>  <p>DASHBOARD EQUIPMENTS</p>	<p>2 5520</p>  <p>METER HOOD</p>	<p>3 5540</p>  <p>METER COMPONENTS</p>	<p>4 5560</p>  <p>DASHBOARD & RELATED PARTS</p>	<p>5 5570</p>  <p>CONSOLE</p>	<p>6</p>  <p>6120</p>  <p>6100</p>  <p>6110</p>  <p>6115</p> <p>HEATER</p>
<h3 style="margin: 0;">BODY (3/4)</h3> 					
<p><small>As this illustration is prepared to be applicable to all models, some parts are different in specifications from parts listed in this parts Catalog.</small></p>					
<p>7</p>  <p>6135</p>  <p>6130</p>  <p>6130</p>  <p>6140</p>  <p>6150</p> <p>AIR CONDITIONER</p>					
<p>8 6610</p>  <p>DASHBOARD SWITCHES</p>					
<p>11 5795</p>  <p>AIR BAG</p>					
<p>10 6615</p>  <p>POWER WINDOW SWITCHES</p>					
<p>9 6611</p>  <p>COMBINATION SWITCH</p>					

PICTORIAL INDEX

1 5580  VENTILATOR	2 5700  FRONT SEATS		4 5790  SEAT BELTS	5 6680  AUDIO SYSTEMS (RADIO & TAPE DECK)	6 6682  AUDIO SYSTEMS (ANTENNA & SPEAKER)
<h3 style="margin: 0;">BODY (4/4)</h3> 					
					7 [Blank]
					8 6800  CEILING TRIMS
					9 6820  PILLAR TRIMS
17 7250  QUARTER WINDOW & TRIMS					10 [Blank]
16 6930  CAUTION PLATES & LABELS	15 6900  VISORS, ASSIST HANDLES & MIRRORS	14 6870  SERVICE TOOLS	13 6860  FLOOR MATS & PADS	12 6845  STORAGE BOX	11 6840  TRIMS & SCUFF PLATES

As this illustration is prepared to be applicable to all models, some parts are different in specifications from parts listed in this parts Catalog.

SECTION NAME INDEX (ENGINE)

LO.NO	SEC.NO	SECTION NAME	LO.NO	SEC.NO	SECTION NAME	LO.NO	SEC.NO	SECTION NAME
1-C03	1000	ENGINE & GASKET SETS	1-H11	1940	AUTOMATIC TRANSMISSION GOVERNO R, LOW & REVERSE PISTON			
1-D03	1030	ROTOR HOUSING	1-K11	1950	AUTOMATIC TRANSMISSION MANUAL LINKAGE SYSTEM			
1-G03	1040	OIL PAN, FRONT & REAR HOUSING	1-M11	1960	AUTOMATIC TRANSMISSION GASKET & SEAL KIT			
1-I03	1100	ECCENTRIC SHAFT & FLYWHEEL						
1-L03	1110	ROTORS & RELATED PARTS						
1-N03	1300	INLET MANIFOLD						
1-C04	1310	EXHAUST MANIFOLD						
1-D04	1311	INTER COOLER						
1-E04	1312	TURBO CHARGER						
1-G04	1313	TWIN TURBO AIR INTAKE SYSTEM						
1-I04	1320	FUEL SYSTEM						
1-K04	1325	FUEL DISTRIBUTOR						
1-M04	1330	AIR CLEANER						
1-D05	1364	THROTTLE BODY						
1-F05	1371	AIR PUMP & AIR CONTROL VALVE						
1-M05	1380	EMISSION CONTROL SYSTEM						
1-D06	1400	OIL PUMP & FILTER						
1-G06	1500	COOLING SYSTEM						
1-N06	1580	BRACKET, PULLEY & BELT						
1-C07	1600	CLUTCH DISC & COVER						
1-E07	1700	MANUAL TRANSMISSION CASE						
1-J07	1710	MANUAL TRANSMISSION GEARS						
1-D08	1720	MANUAL TRANSMISSION CHANGE CON TROL SYSTEM						
1-F08	1800	ENGINE ELECTRICAL SYSTEM						
1-I08	1830	ALTERNATOR						
1-K08	1840	STARTER (MT)						
1-M08	1840 A	STARTER (AT)						
1-C09	1850	BATTERY						
1-D09	1910	AUTOMATIC TRANSMISSION TORQUE CONVERTER, OIL PUMP & PIPINGS						
1-I09	1920	AUTOMATIC TRANSMISSION CASE & MAIN CONTROL SYSTEM						
1-C10	1925	AUTOMATIC TRANSMISSION CONTROL VALVE						
1-K10	1930	AUTOMATIC TRANSMISSION CLUTCHE S & PLANETARY GEARS						

CATLOG-NO= AUFA06-04

DATE. 1997-01

PAGE. 1

SECTION NAME INDEX (CHASSIS)

LO.NO	SEC.NO	SECTION NAME	LO.NO	SEC.NO	SECTION NAME	LO.NO	SEC.NO	SECTION NAME
2-C03	2505	REAR PROPELLER SHAFT						
2-D03	2550	REAR DRIVE SHAFT						
2-E03	2600	REAR AXLE						
2-G03	2610	REAR BRAKE MECHANISMS						
2-J03	2710	REAR DIFFERENTIALS						
2-N03	2800	REAR SUSPENSION MECHANISMS						
2-C04	2810	REAR STABILIZER						
2-D04	2830	REAR LOWER ARMS & SUB FRAME						
2-G04	3200	STEERING WHEEL						
2-H04	3210	STEERING COLUMN & SHAFTS						
2-I04	3220	STEERING GEAR						
2-K04	3240	POWER STEERING SYSTEM						
2-M04	3300	FRONT AXLE						
2-N04	3310	FRONT BRAKE MECHANISMS						
2-C05	3400	FRONT SUSPENSION MECHANISMS						
2-F05	3410	CROSSMEMBER & STABILIZER						
2-G05	3700	TIRES & JACK						
2-C06	3900	ENGINE & T/MISSION MOUNTINGS						
2-D06	4000	EXHAUST SYSTEM						
2-G06	4140	CLUTCH RELEASE & MASTER CYLINDERS (MANUAL TRANSMISSION)						
2-I06	4145	CLUTCH PIPINGS (MANUAL TRANSMISSION)						
2-J06	4160	ACCELERATOR CONTROL SYSTEM						
2-K06	4200	FUEL TANK						
2-C07	4210	FUEL LID OPENER						
2-D07	4300	CLUTCH & BRAKE PEDALS (MANUAL TRANSMISSION)						
2-F07	4300A	BRAKE PEDALS (AUTOMATIC TRANSMISSION)						
2-G07	4340	BRAKE MASTER CYLINDER & POWER BRAKE						
2-I07	4360	BRAKE PIPINGS						
2-L07	4370	ANTILOCK BRAKE SYSTEM						
2-N07	4400	PARKING BRAKE SYSTEM						
2-C08	4500	FUEL PIPINGS						
2-F08	4600	CHANGE CONTROL SYSTEM (AT)						

CATLOG-N0= AUFA06-04

DATE. 1997-01

PAGE. 2

SECTION NAME INDEX (BODY)

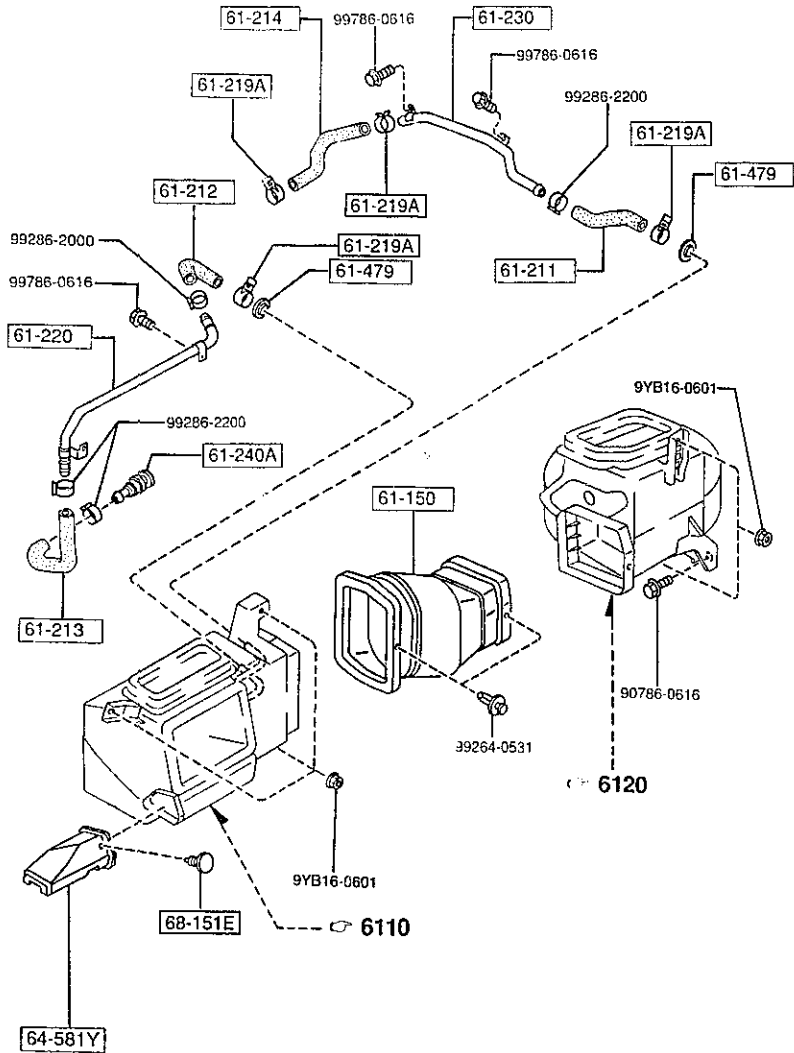
LO.NO	SEC.NO	SECTION NAME	LO.NO	SEC.NO	SECTION NAME	LO.NO	SEC.NO	SECTION NAME
2-C10	0900	KEY SETS	2-L16	5840	FRONT DOOR TRIMS & RELATED PARTS	3-K07	6704	WIRING HARNESS CLAMPS
2-E10	5000	FRONT BUMPER	3-C03	6100	HEATER	3-L07	6720	WINDSHIELD WASHER
2-H10	5010	REAR BUMPER	3-D03	6110	HEATER UNIT COMPONENTS	3-N07	6730	WINDSHIELD WIPERS
2-J10	5030	WINDOW MOULDINGS	3-E03	6115	HEATER CONTROLS COMPONENTS	3-D08	6740	WIPER MOTOR COMPONENTS (FRONT)
2-K10	5040	BODY MOULDINGS	3-F03	6120	HEATER BLOWER COMPONENTS	3-E08	6750	WINDOW WIPER & WASHER (REAR)
2-L10	5100	HEAD LAMPS	3-G03	6130	AIR CONDITIONER (DENSO MAKE)	3-H08	6760	WINDOW WIPER MOTOR COMPONENTS (REAR)
2-N10	5103	HEAD LAMP RETRACTORS	3-J03	6130A	AIR CONDITIONER (MANA MAKE)	3-I08	6800	CEILING TRIMS
2-D11	5105	FRONT COMBINATION LAMPS	3-M03	6135	AIR CONDITIONING COOLING PIPE 'O' RING	3-J08	6820	PILLAR TRIMS
2-I11	5110	REAR COMBINATION LAMPS	3-C04	6140	AIR CONDITIONING COMPRESSOR COMPONENTS (DENSO MAKE)	3-K08	6840	TRIMS & SCUFF PLATES
2-N11	5120	LICENSE LAMPS	3-E04	6140A	AIR CONDITIONING COMPRESSOR COMPONENTS (MANA MAKE)	3-N08	6845	STRAGE BOX
2-C12	5125	INTERIOR LAMPS	3-G04	6150	AIR CONDITIONING COOLING UNIT (DENSO MAKE)	3-C09	6860	FLOOR MATS & PADS
2-D12	5130	OVERHEAD CONSOLE	3-H04	6150A	AIR CONDITIONING COOLING UNIT (MANA MAKE)	3-F09	6870	SERVICE TOOLS
2-E12	5170	ORNAMENTS	3-J04	6230	LIFT GATE MECHANISMS	3-G09	6900	SUNVISORS, ASSIST HANDLES & MIRRORS
2-F12	5180	COWL & EXTRACTOR GRILLES	3-M04	6300	WINDOW GLASSES	3-J09	6930	CAUTION PLATES & LABELS
2-H12	5230	BONNET	3-N04	6330	SUNROOF	3-L09	7250	QUARTER WINDOW & TRIMS
2-J12	5310	FRONT PANELS	3-G05	6600	ENGINE SWITCHES & RELAYS	3-N09	7800	SPOILERS & RELATED PARTS
2-K12	5320	FENDER & WHEEL APRON PANELS	3-L05	6610	DASHBOARD SWITCHES			
2-N12	5330	DASH & COWL PANELS	3-M05	6611	COMBINATION SWITCH			
2-C13	5340	SIDE PANELS	3-N05	6615	POWER WINDOW SWITCHES			
2-G13	5360	ROOF PANELS	3-C06	6630	BODY RELAYS & UNIT			
2-H13	5370	FLOOR PANELS	3-E06	6635	DOOR SWITCH & HORNS			
2-J13	5380	FLOOR ATTACHMENTS (HOLE COVERS)	3-F06	6640	AUTO CRUISE CONTROL SYSTEM			
2-L13	5390	FLOOR ATTACHMENTS	3-G06	6680	AUDIO SYSTEMS (RADIO & TAPE DECK)			
2-C14	5500	DASHBOARD EQUIPMENTS	3-J06	6682	AUDIO SYSTEMS (ANTENNA & SPEAKER)			
2-D14	5520	METER HOOD	3-N06	6700	FRONT & REAR WIRING HARNESSES			
2-E14	5540	METER COMPONENTS	3-F07	6701	ENGINE & TRANSMISSION WIRING HARNESSES			
2-G14	5560	DASHBOARD & RELATED PARTS	3-H07	6702	DASHBOARD WIRING HARNESSES			
2-K14	5570	CONSOLE	3-J07	6703	DOOR, FLOOR & CEILING WIRING HARNESSES			
2-N14	5580	VENTILATOR						
2-C15	5700	FRONT SEATS						
2-D16	5790	SEAT BELTS						
2-E16	5795	AIR BAG						
2-F16	5800	FRONT DOORS						
2-I16	5830	FRONT DOOR MECHANISMS						

CATLOG-NO= AUFA06-04

DATE. 1997-01

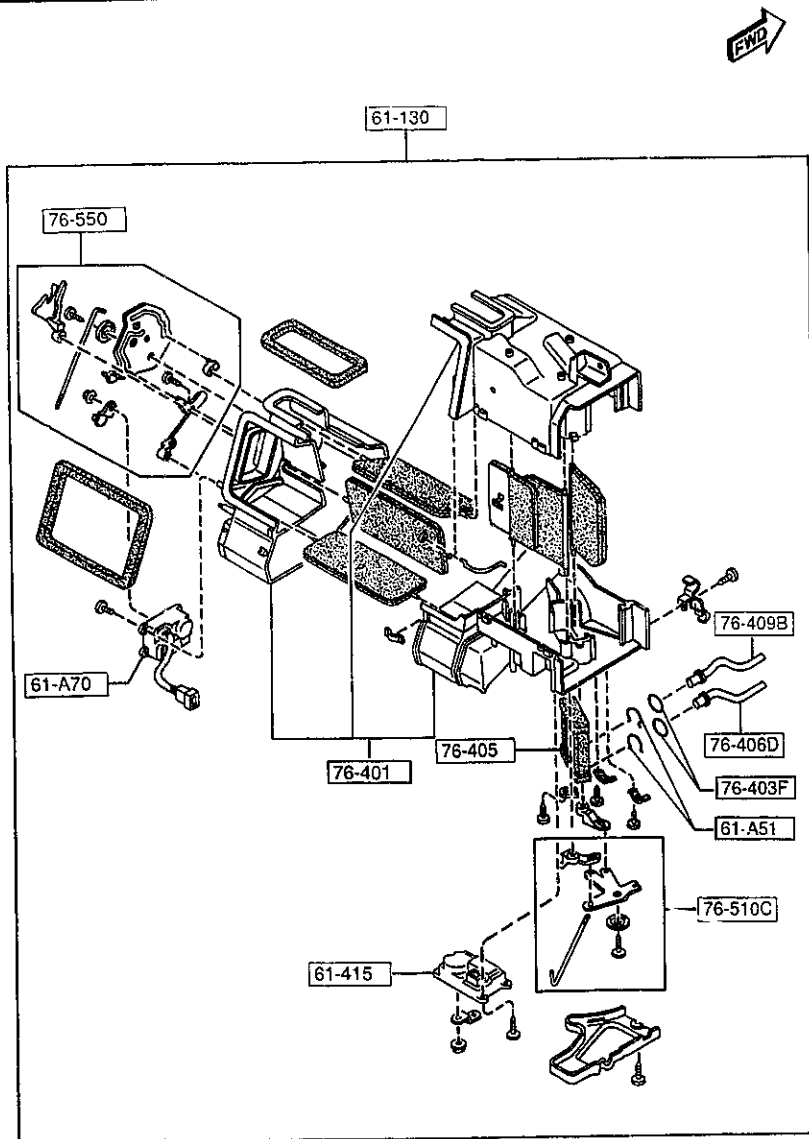
PAGE. 3

6100 HEATER



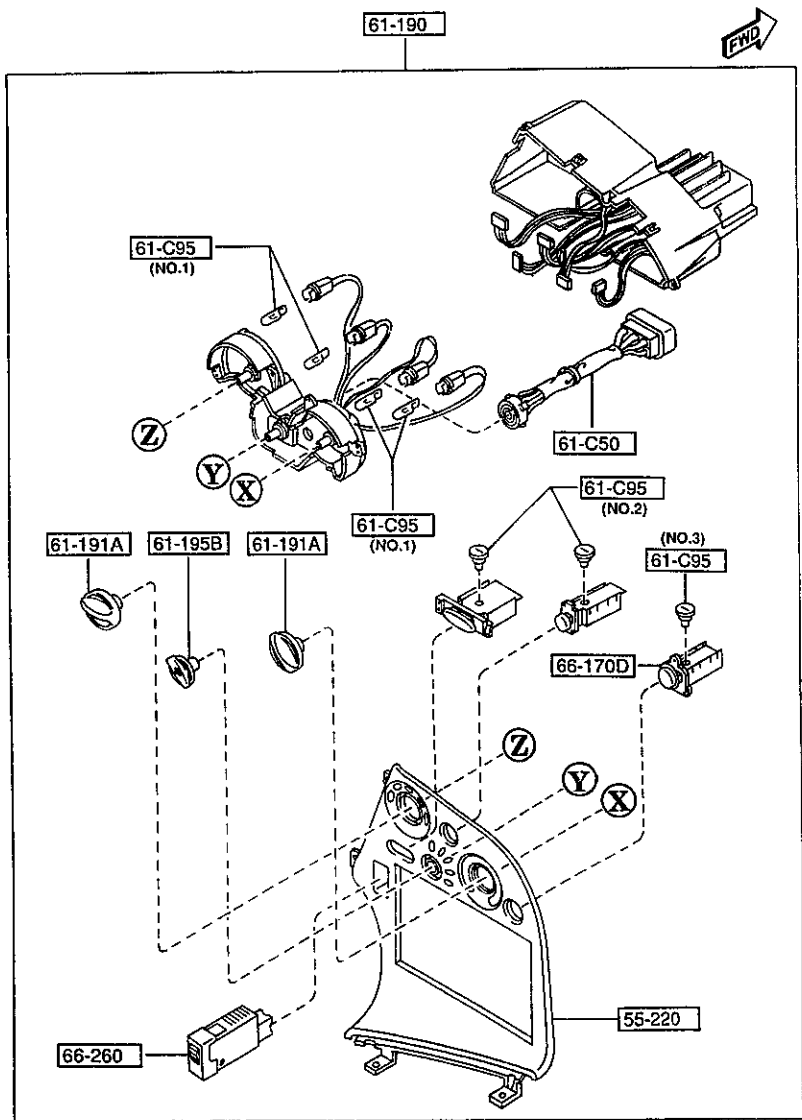
6100 -1 * HEATER

PART NO.	QTY	MODEL/RESTRICTION	MODEL/RESTRICTION	MODEL/RESTRICTION	FRGM-TO
61-150		DUCT, AIR			
FD01-61-150B	1	(W/O AIR CDN.)			
61-211		HOSE NO.1, WATER			
FD01-61-211A	1				
61-212		HOSE NO.2, WATER			
FD01-61-212A	1				
61-213		HOSE NO.3, WATER			
FD01-61-213B	1				
61-214		HOSE NO.4, WATER			
FD01-61-214B	1				
61-219A		CLAMP, HOSE			
H266-61-242	4				
61-220		PIPE, HEATER			
FD01-61-220	1				
61-230		PIPE, HEATER			
FD01-61-230	1				
61-240A		CONNECTOR, WATER HOSE			
B455-61-240A	1				
61-479		GROMMET			
8871-61-219A	2				
64-581Y		DUCT(L), SHOWER			
FD01-61-156A	1				
68-151E		CLIP			
B102-68-865	1				



PART NO.	QTY	MODEL/RESTRICTION	MODEL/RESTRICTION	MODEL/RESTRICTION	FROM-TO
61-A51		CLIP,HEATER UNIT			
FD01-61-A18	2				
61-A70		ACTUATOR,MODE-HEATER UNIT			
FD01-61-A70	1				
61-130		HEATER UNIT			
FD01-61-130B	1				
61-415		ACTUATOR,TEMP			
FD01-61-A60	1				
76-401		CASE,HEATER			
FD01-61-A80	1				
76-403F		RING,'O'			
FD01-61-A19	2				
76-405		CORE,HEATER			
FD01-61-A10	1				
76-406D		PIPE,HEATER UNIT			
FD01-61-A15A	1				
76-409B		PIPE,HEATER UNIT			
FD01-61-A16A	1				
76-510C		LINK SET,TEMP			
FD01-61-A20	1				
76-550		LINK SET,MODE			
FD01-61-A30	1				

6115 HEATER CONTROLS COMPONENTS

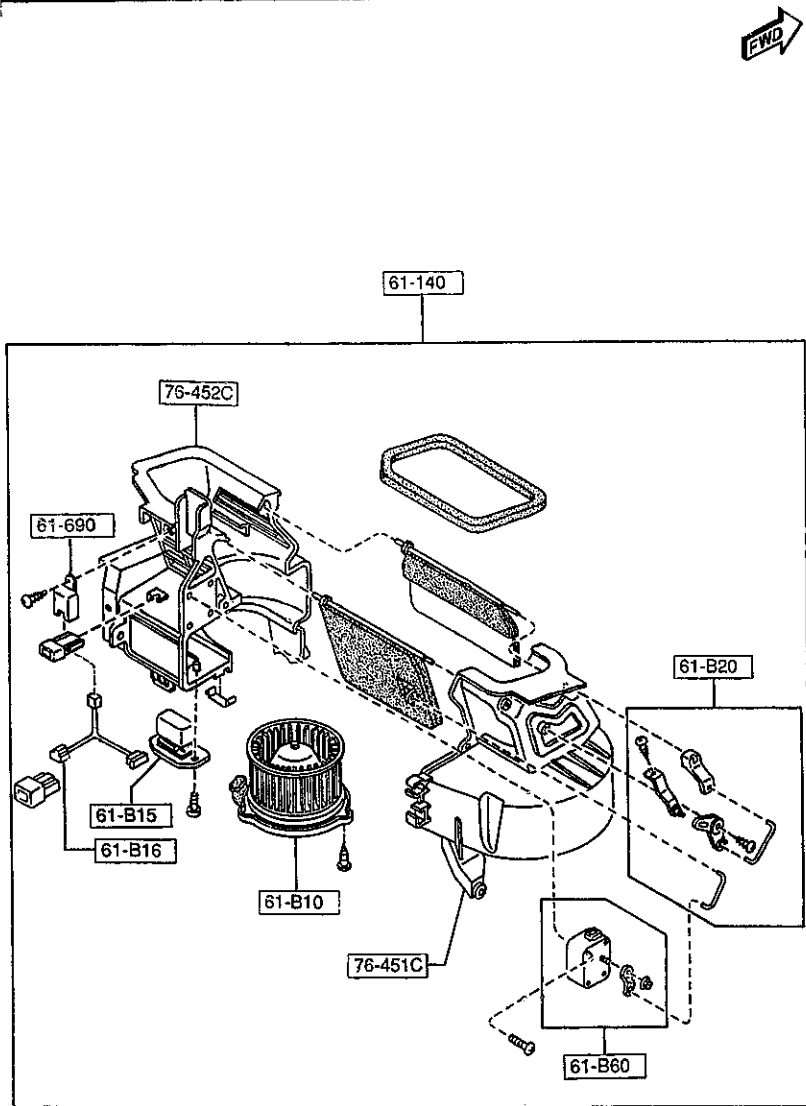


6115 -1 * HEATER CONTROLS COMPONENTS

PART NO.	QTY	MODEL/RESTRICTION	MODEL/RESTRICTION	MODEL/RESTRICTION	FROM-TO
55-220		PANEL, CENTER			
FD15-55-21X	1				
61-C50		SWITCH, FAN-HEATER CONTROL			
FD01-61-C50	1				
61-C95		BULB, MODE CONTROL			
FD01-61-C95	4	(ILLUST. NO.1)			
FD02-61-C95	2	(ILLUST. NO.2)			
FD03-61-C95	1	(ILLUST. NO.3)			
61-190		CONTROL, HEATER			
FD15-61-19ZA	1				
00	INT-	FE5 FE6 FE7 BLACK			
61-191A		KNOB NO.1			
FD01-61-191	2				
61-195B		KNOB, FAN SWITCH			
FD01-61-195	1				
66-170D		SWITCH, HAZARD			
FD01-66-4HD	1				
66-260		RESISTOR			
FD01-55-490A	1				

6120 HEATER BLOWER COMPONENTS

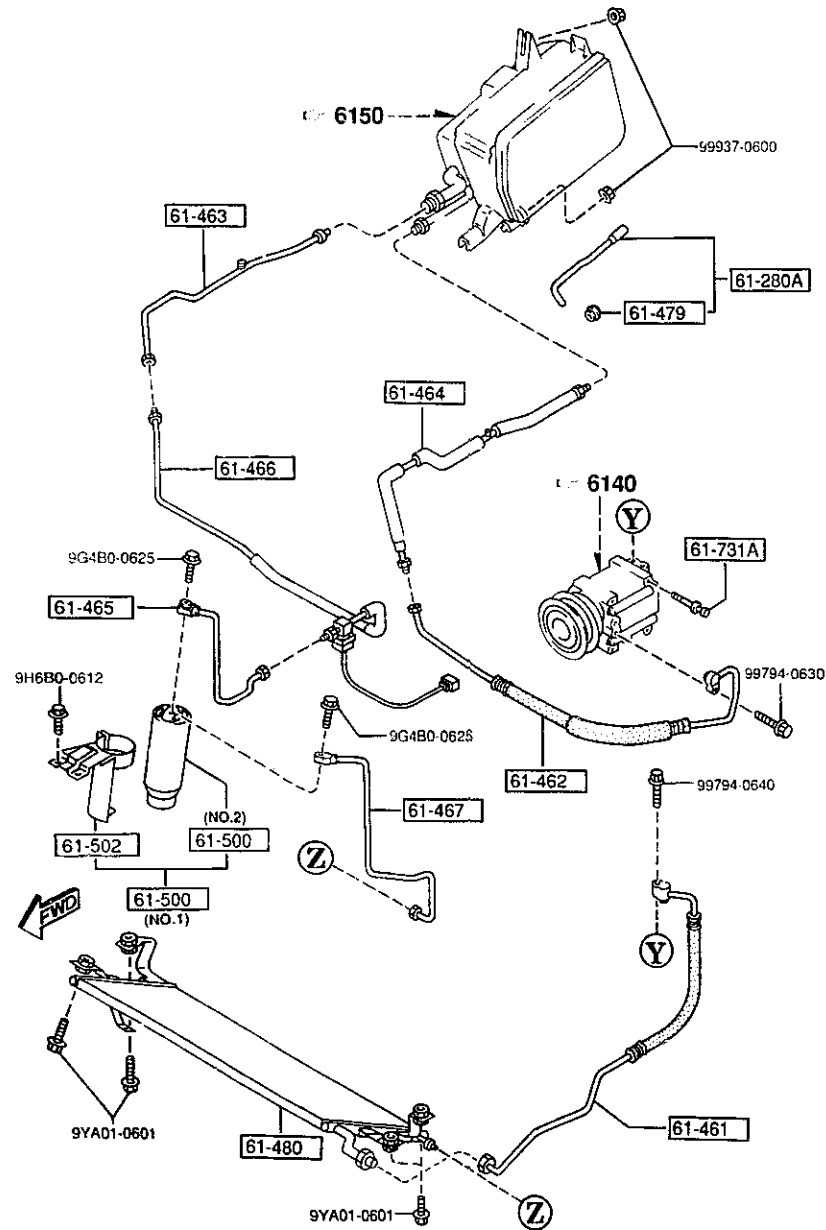
6120 -1 * HEATER BLOWER COMPONENTS



PART NO.	QTY	MODEL/RESTRICTION	MODEL/RESTRICTION	MODEL/RESTRICTION	FROM-TO
61-B10		MOTOR, FAN-BLOWER UNIT			
FD01-61-B10	1				
61-B15		RESISTOR, BLOWER UNIT			
D061-61-B15	1				
61-B16		HARNESS, BLOWER UNIT			
FD01-61-B16A	1				
61-B20		LINK, RECYCLE & FRESH			
FD01-61-B20	1				
61-B60		ACTUATOR, RECYCLE & FRESH			
FD01-61-B60	1				
61-140		BLOWER UNIT			
FD01-61-140B	1				
61-690		RELAY			
FB03-61-691	1	W/IG. RELAY BLOWER			
76-451C		CASE(R), BLOWER			
FD01-61-B01	1				
76-452C		CASE(L), BLOWER			
FD01-61-B02	1				

6130 AIR CONDITIONER
(DENSO MAKE)
(PIPE & CONDENSER)

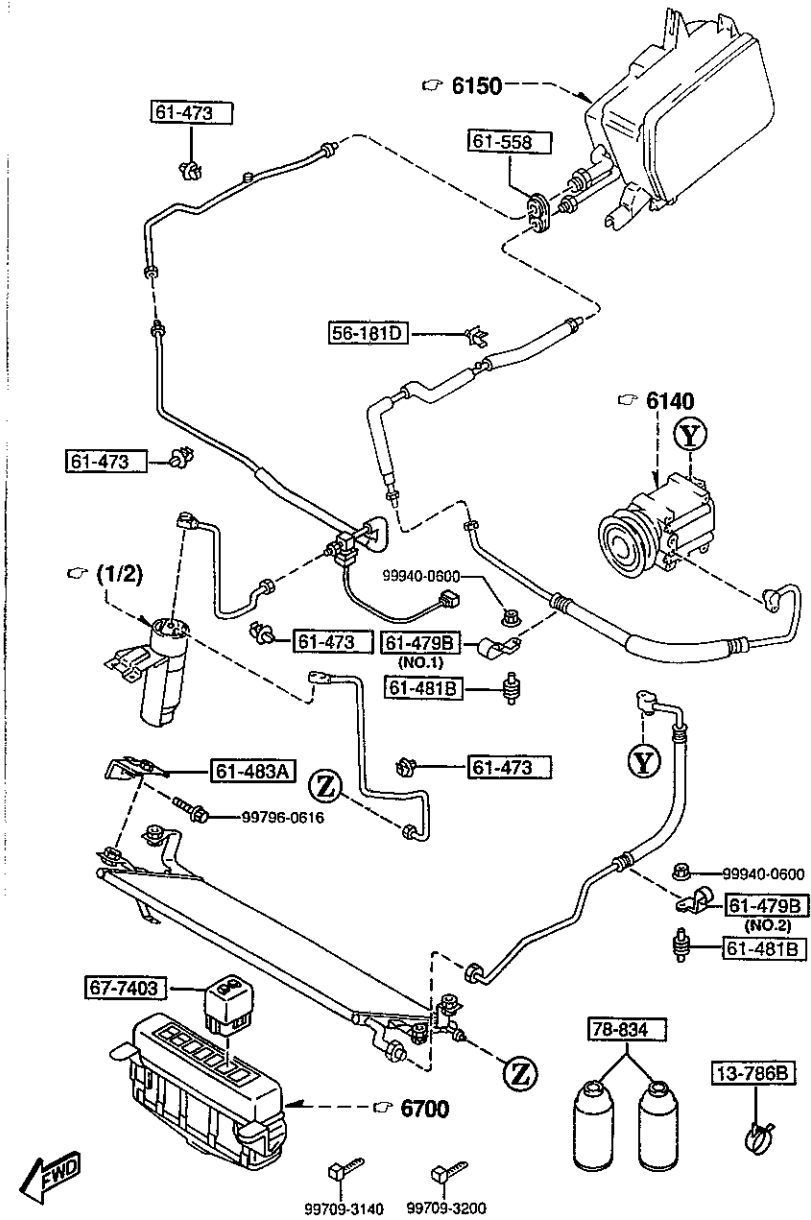
(1/2)



AUFA06

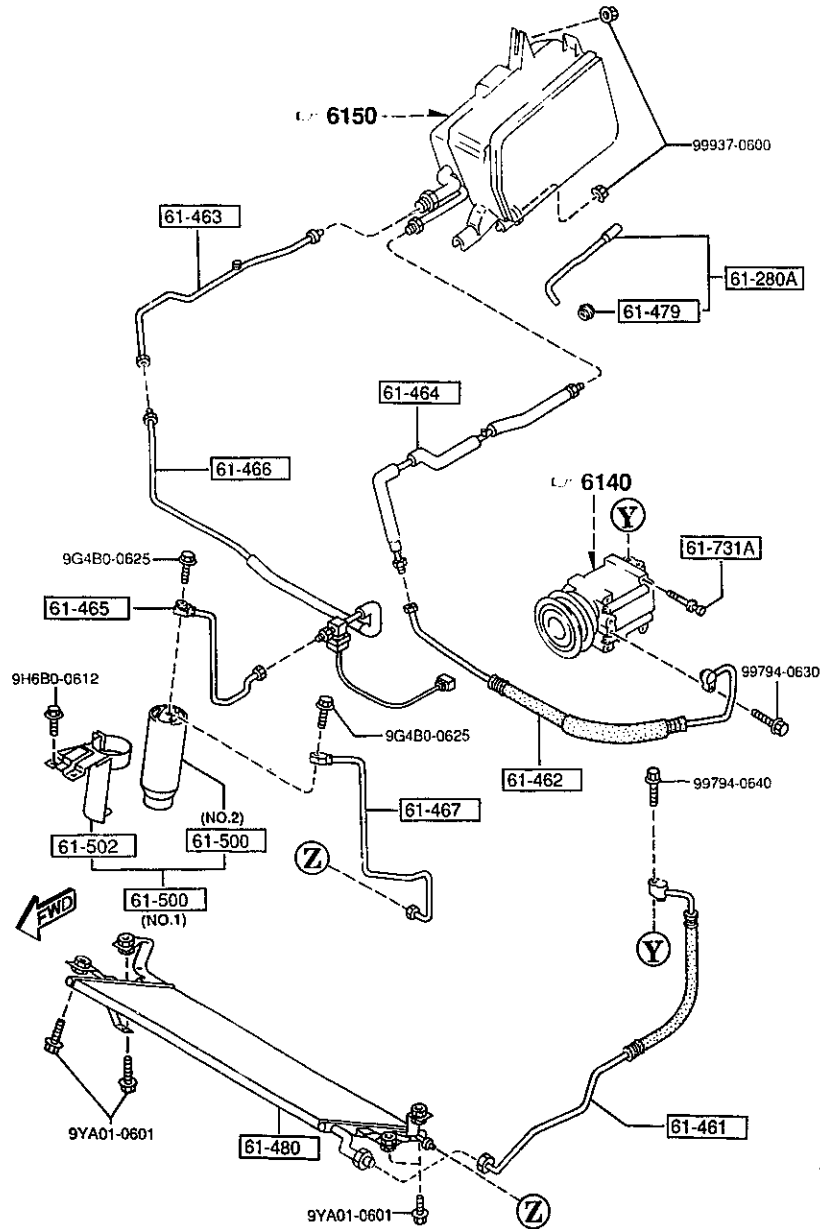
6130 AIR CONDITIONER
(DENSO MAKE)
(CLIP & BRACKET)

(2/2)



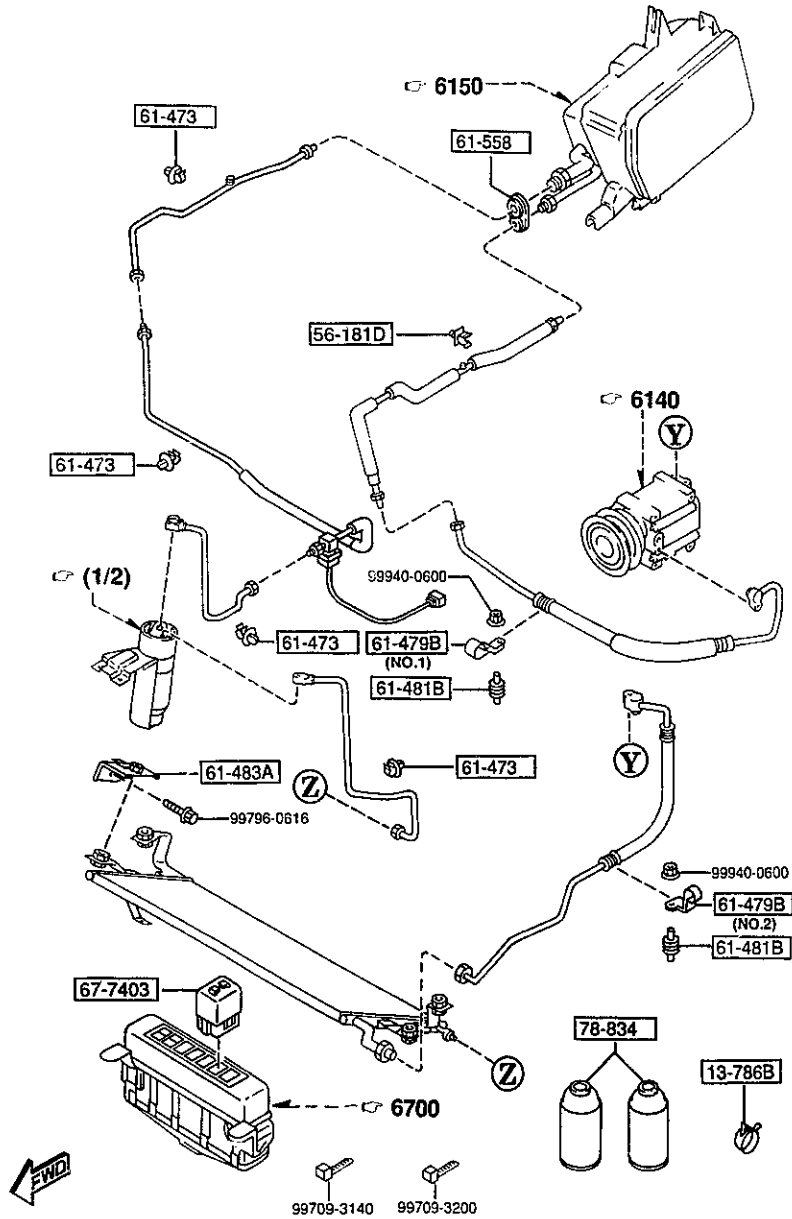
AUFA06

(PIPE & CONDENSER)



PART NO.	QTY	MODEL/RESTRICTION	MODEL/RESTRICTION	MODEL/RESTRICTION	FROM-TU
----- 13-786B NSA3-13-786	1	CLIP,HOSE			
----- 56-181D S083-56-181	1	CLIP			
----- 61-280A FD15-61-280	1	HOSE,DRAIN			
----- 61-461 FD15-61-461	1	HOSE,FLEXIBLE-HIGH			
----- 61-462 FD15-61-462	1	HOSE,FLEXIBLE-LOW			
----- 61-463 FD15-61-464	1	PIPE NO.1,COOLER			
----- 61-464 FD15-61-465A	1	PIPE NO.2,COOLER			
----- 61-465 FD15-61-466	1	PIPE NO.3,COOLER			
----- 61-466 FD15-61-467A	1	PIPE NO.4,COOLER			
----- 61-467 FD15-61-468	1	PIPE NO.5,COOLER			
----- 61-473 FD01-61-473	4	CLIP,PIPE			
----- 61-479 FB01-61-478A	1	GROMMET			
----- 61-479B FD04-61-479A	1	CLIP			(ILLUST. NO.1)
----- FD05-61-479	1	CLIP			(ILLUST. NO.2)

(CLIP & BRACKET)



6130 -2 * AIR CONDITIONER
(DENSO MAKE)

PART NO.	QTY	MODEL/RESTRICTION	MODEL/RESTRICTION	MODEL/RESTRICTION	FROM-TO
61-480		CONDENSER			
F110-61-480	1				
61-481B		RUBBER, INSULATOR			
FD04-61-481	2				
61-483A		BRACKET, CONDENSER			
FD04-61-483A	1				
61-500		TANK, LIQUID			
FD15-61-500	1	(ILLUST. NO.1)			
N026-61-501	1	(ILLUST. NO.2)			
61-502		BRACKET, TANK			
FD04-61-502	1				
61-558		GROMMET, UNIT-COOLING			
LA01-61-558A	1				
61-731A		BOLT, AIR CON.			
FD05-61-731	4				
67-7403		RELAY, N.O.			
H270-67-740	1	30A			
78-834		REFRIGERANT DRUM			
W257-61-R13	1	200G			
W323-61-R13	1	300G			

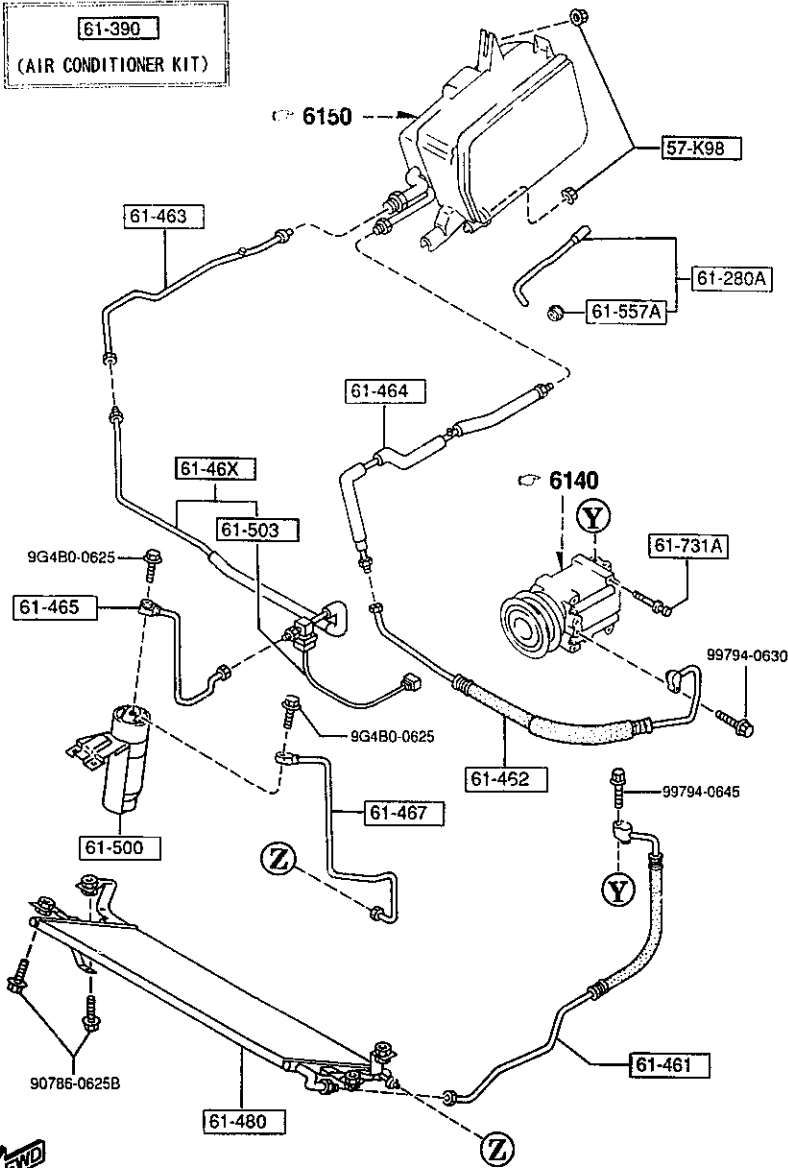
6130A AIR CONDITIONER
(MANA MAKE)
(PIPE & CONDENSER)

(1/2)

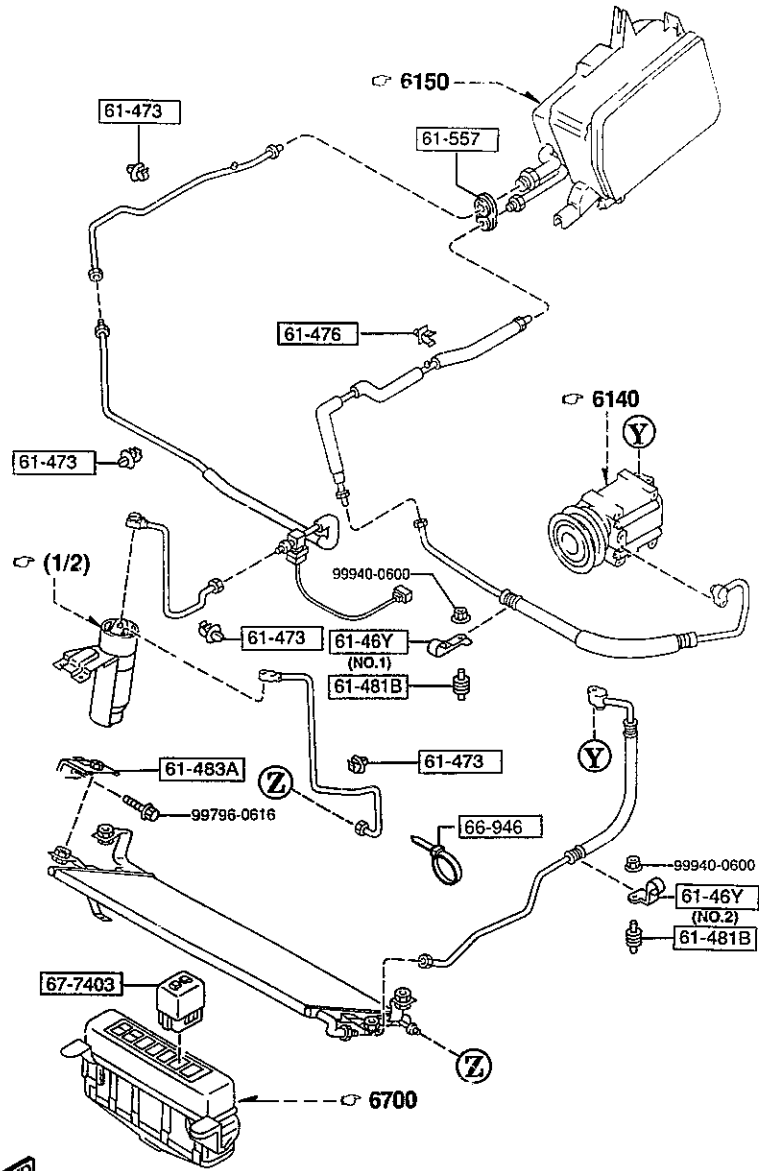
6130A AIR CONDITIONER
(MANA MAKE)
(CLIP & BRACKET)

(2/2)

61-390
(AIR CONDITIONER KIT)

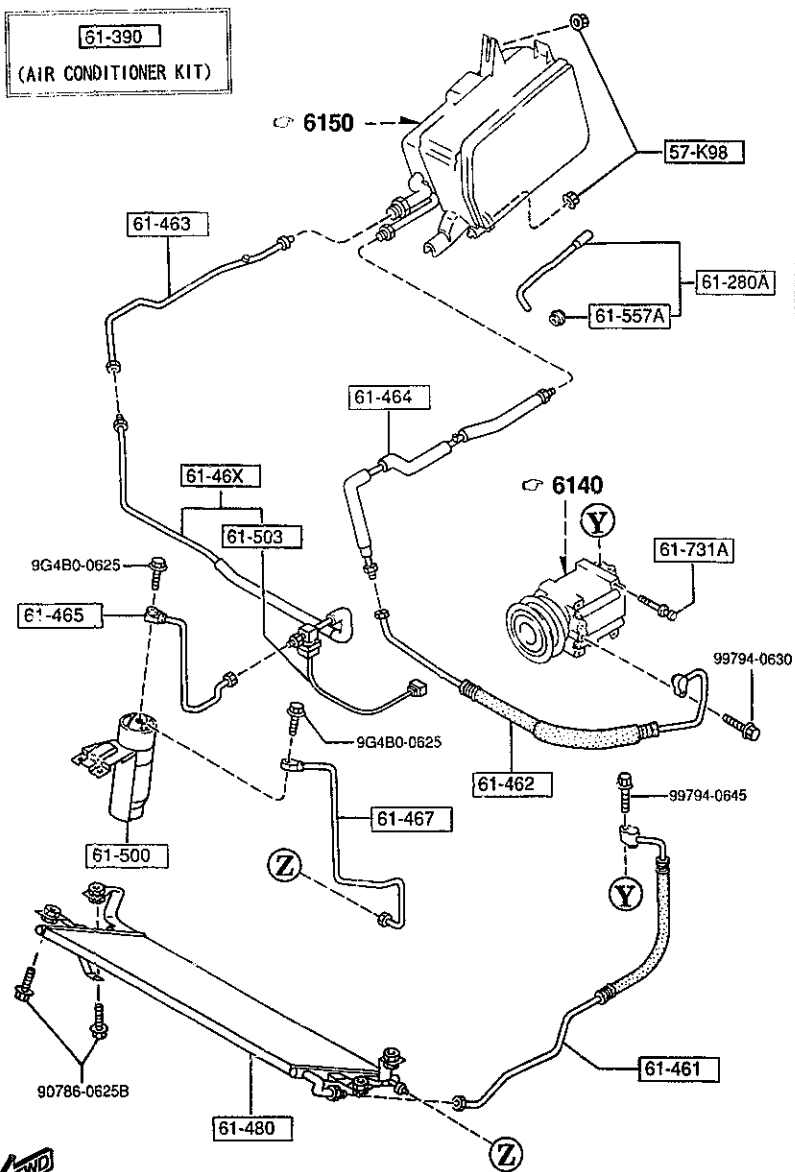


AUFA06



AUFA06

(PIPE & CONDENSER)

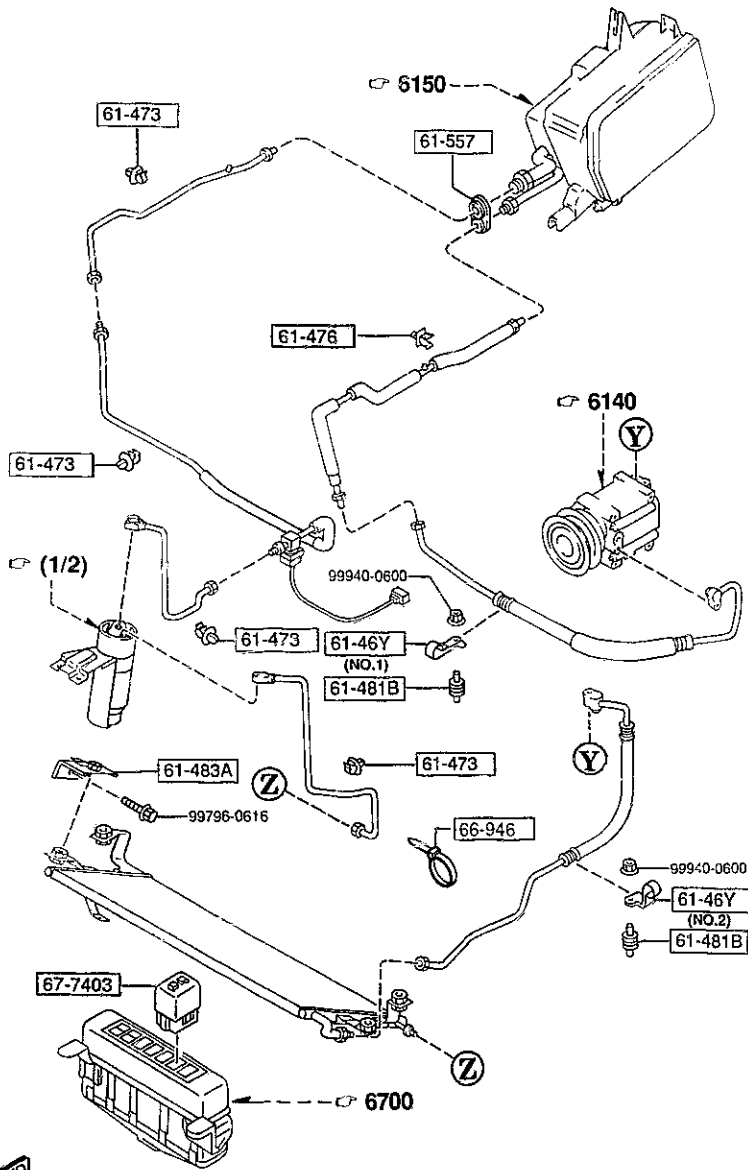


PART NO.	QTY	MODEL/RESTRICTION	MODEL/RESTRICTION	MODEL/RESTRICTION	FROM-TO
57-K98		NUT			
FC66-57-K98	2				
61-280A		HOSE, DRAIN			
FD16-61-280	1	(A)			
61-390		CONDITIONER, AIR			
FD31-61-410	1	(A)			
61-46X		PIPE, COOLER-HIGH			
FD16-61-46X	1				
61-46Y		CLIP, PIPE			
FD01-61-46YA	1	(A)			
FD02-61-46Y	1	(A)			
61-461		HOSE, FLEXIBLE-HIGH			
FD31-61-461	1				
61-462		HOSE, FLEXIBLE-LOW			
FD31-61-462	1				
61-463		PIPE NO.1, COOLER			
FD31-61-464	1				
61-464		PIPE NO.2, COOLER			
FD31-61-465	1				
61-465		PIPE NO.3, COOLER			
FD31-61-466	1				
61-467		PIPE NO.5, COOLER			
FD31-61-468	1				
61-473		CLIP, PIPE			
FD01-61-473	4				
61-476		CLIP			

6130A AIR CONDITIONER
(MANA MAKE)

(2/2)

(CLIP & BRACKET)



6130A -2 * AIR CONDITIONER
(MANA MAKE)

PART NO.	QTY	MODEL/RESTRICTION	MODEL/RESTRICTION	MODEL/RESTRICTION	FROM-TO
CONT'D FD01-61-476	1	(A)			
┌───┐ ┌ 61-480 ─┐ └───┘		CONDENSER			
FD31-61-480	1				
┌───┐ ┌ 61-481B ─┐ └───┘		RUBBER, INSULATOR			
FC20-61-481	2	(A)			
┌───┐ ┌ 61-483A ─┐ └───┘		BRACKET, CONDENSER			
FD01-61-483A	1	(A)			
┌───┐ ┌ 61-500 ─┐ └───┘		TANK, LIQUID			
FD31-61-500	1				
┌───┐ ┌ 61-503 ─┐ └───┘		SW., PRESSURE-LIQUID TANK			
FD16-61-503	1	(A)			
┌───┐ ┌ 61-557 ─┐ └───┘		GROMMET, REAR COOLER			
H269-61-557	1				
┌───┐ ┌ 61-557A ─┐ └───┘		GROMMET			
FB04-61-557	1	(A)			
┌───┐ ┌ 61-731A ─┐ └───┘		BOLT, AIR CON.			
B111-61-731	4				
┌───┐ ┌ 66-946 ─┐ └───┘		BAND			
NA02-61-435	6	(A)			
┌───┐ ┌ 67-7403 ─┐ └───┘		RELAY, N. O.			
H270-67-740	1	30A			

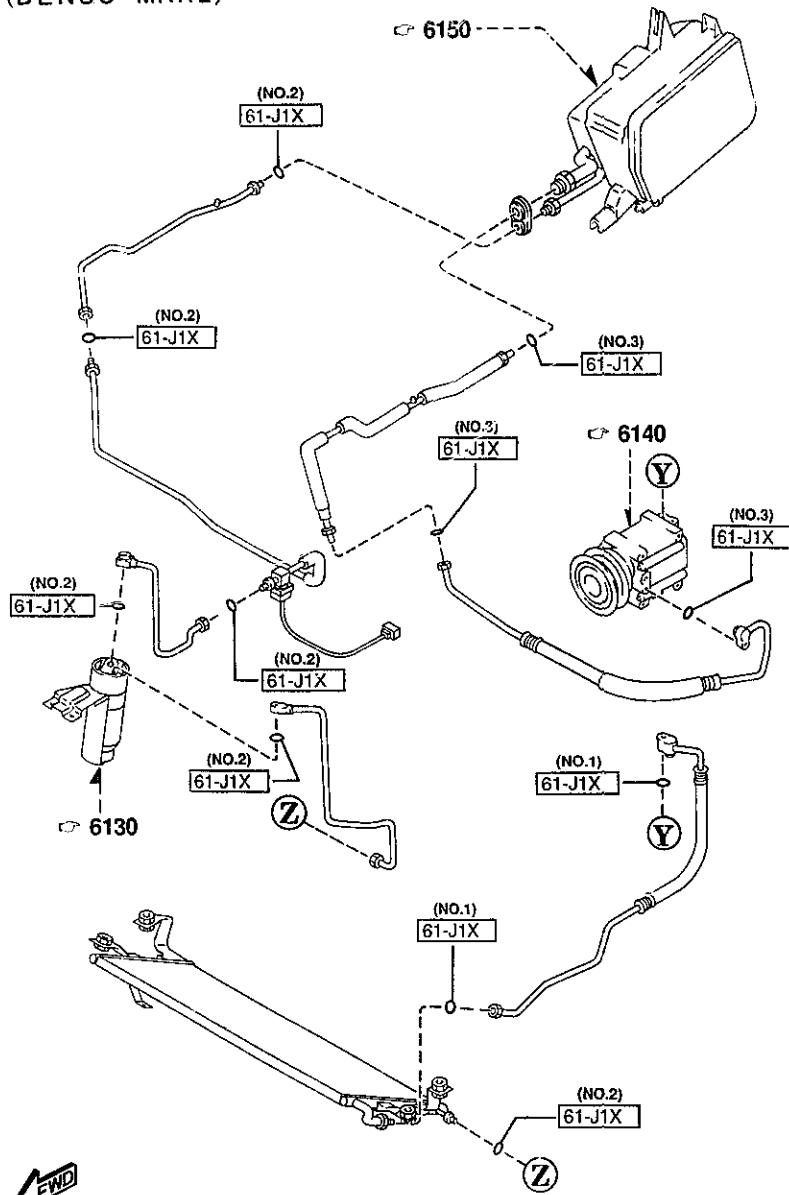
AUFA06

CAT. AUFA06-04

1997-01

6135 AIR CONDITIONING COOLING PIPE 'O' RING
(DENSO MAKE)

(1/2)

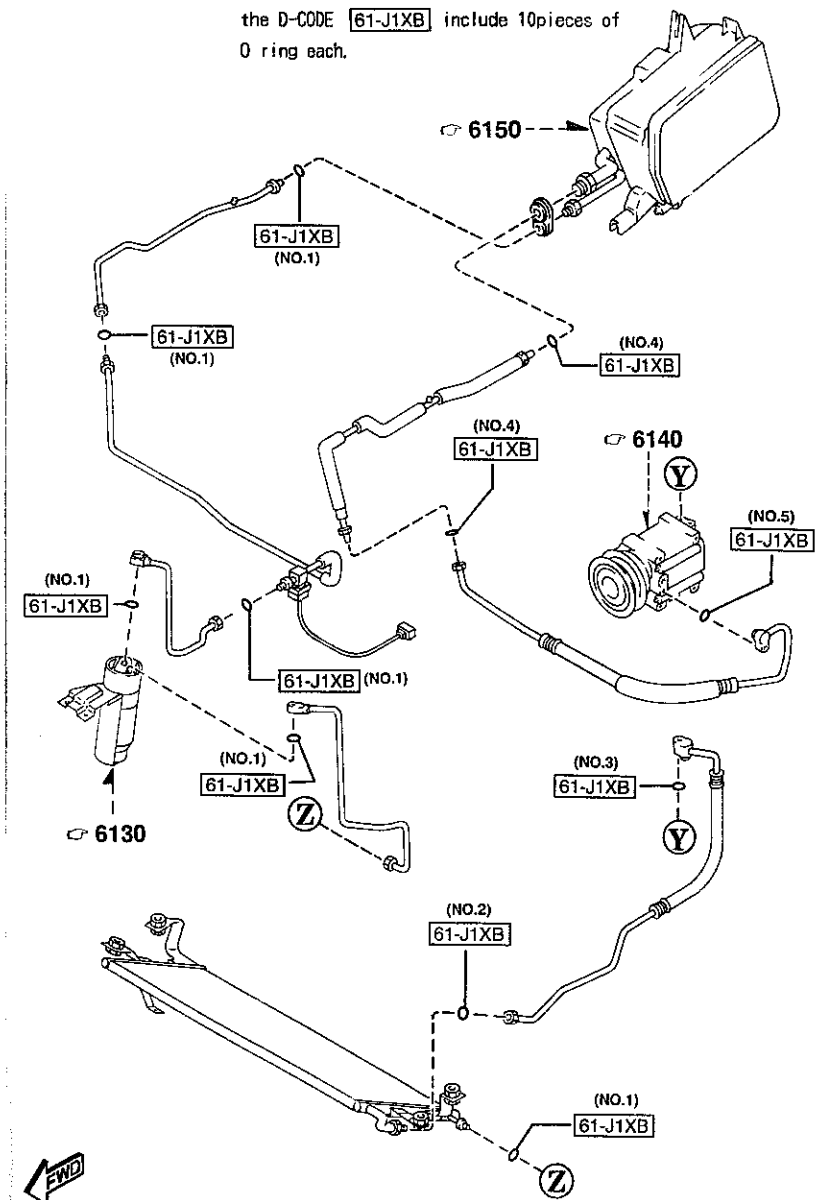


AUFA06

6135 AIR CONDITIONING COOLING PIPE 'O' RING
(MANA MAKE)

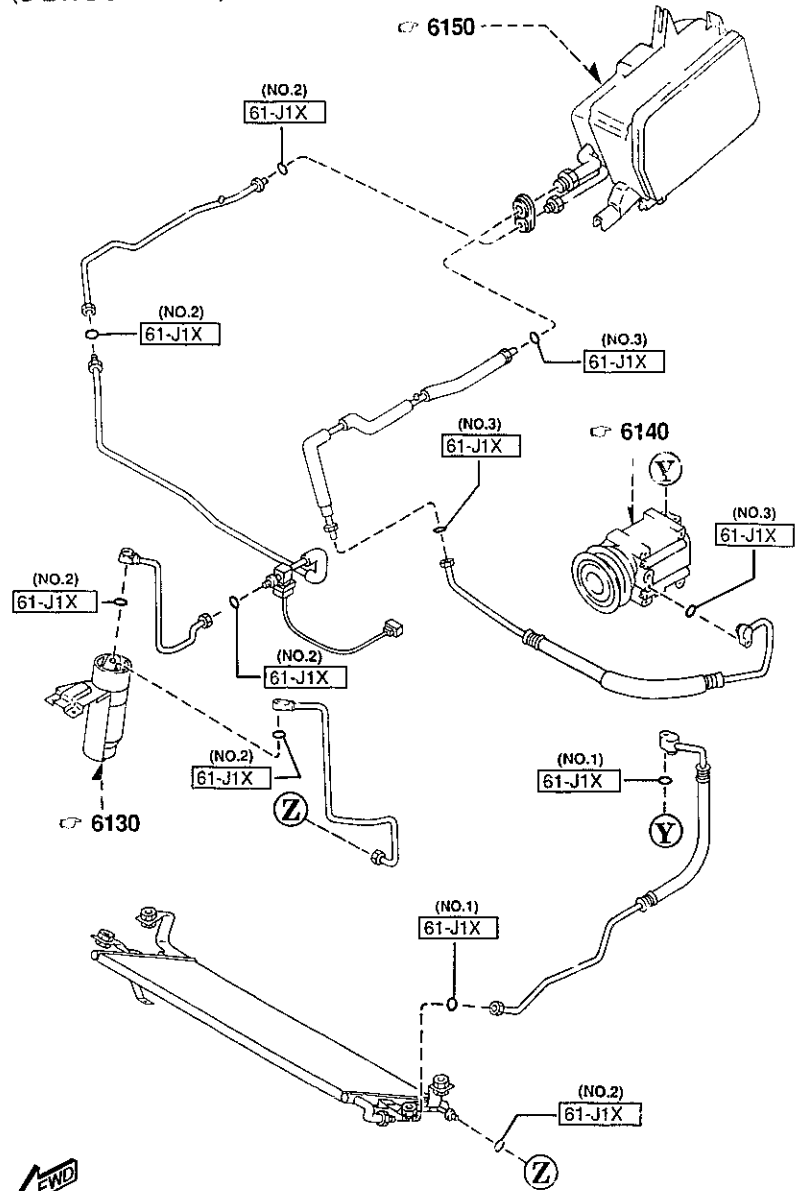
(2/2)

Five part numbers of XXXX-61-J1X under the D-CODE 61-J1XB include 10 pieces of O ring each.



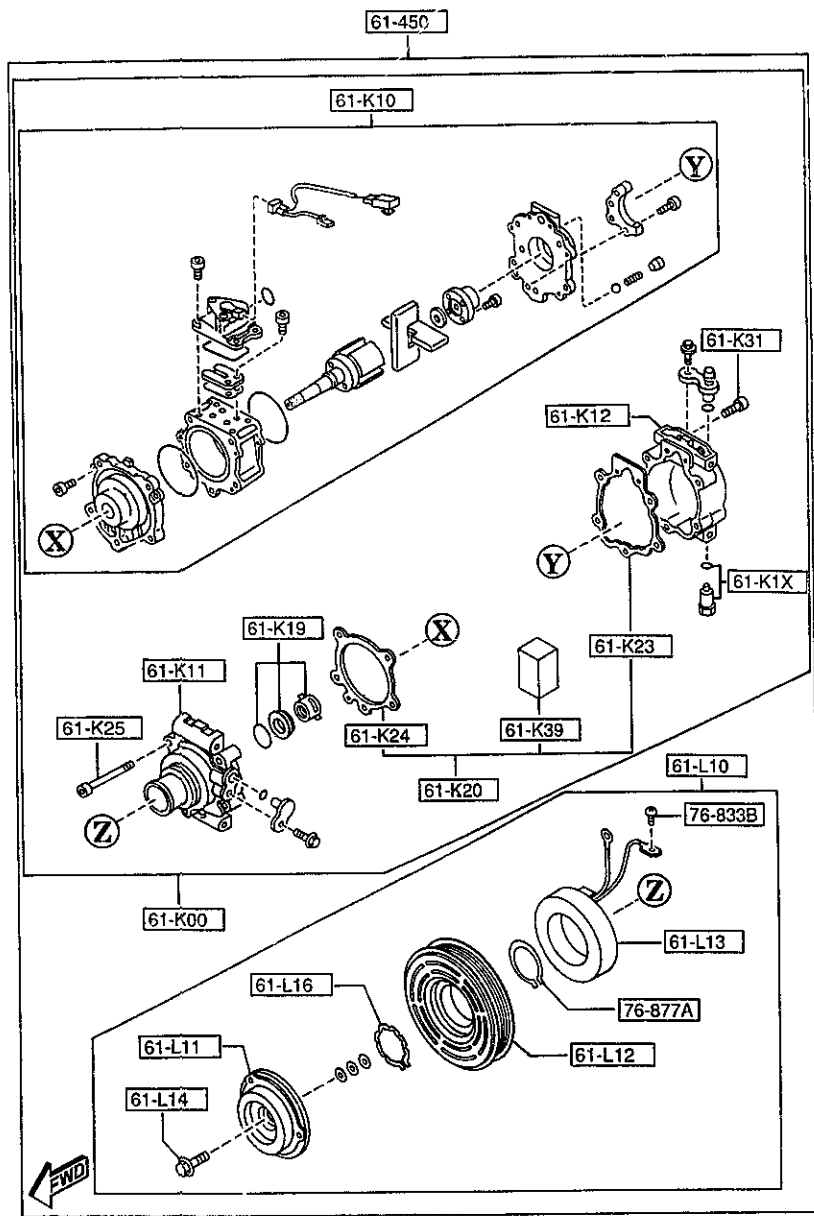
AUFA06

(DENSO MAKE)



PART NO.	QTY	MODEL/RESTRICTION	MODEL/RESTRICTION	MODEL/RESTRICTION	FROM-10
61-J1X		RING, 'O'-NO.1			
W257-61-J17	2	(ILLUST. NO.1) (DENSO MAKE)			
W326-61-J17	6	(ILLUST. NO.2) (DENSO MAKE)			
W329-61-J17	3	(ILLUST. NO.3) (DENSO MAKE)			
61-J1XB		RING, 'O'-NO.3			
LB51-61-J1X	1	(A) (ILLUST. NO.1) (OPTION) (MANA MAKE)			
LB54-61-J1X	1	(A) (ILLUST. NO.2) (OPTION) (MANA MAKE)			
LB55-61-J1X	1	(A) (ILLUST. NO.3) (OPTION) (MANA MAKE)			
LB56-61-J1X	1	(A) (ILLUST. NO.4) (OPTION) (MANA MAKE)			
LB57-61-J1X	1	(A) (ILLUST. NO.5) (OPTION) (MANA MAKE)			

6140

AIR CONDITIONING COMPRESSOR COMPONENTS
(DENSO MAKE)6140 -1 AIR CONDITIONING COMPRESSOR COMPONENTS
(DENSO MAKE)

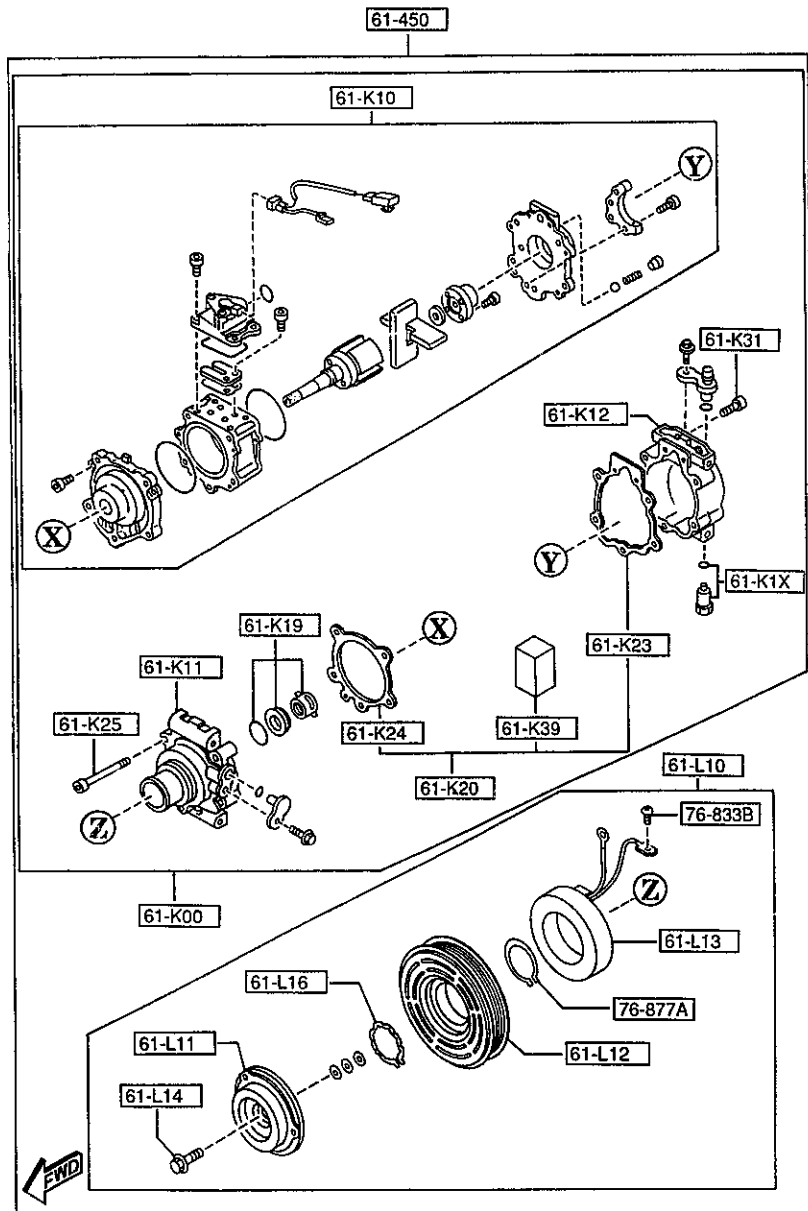
PART NO.	QTY	MODEL/RESTRICTION	MODEL/RESTRICTION	MODEL/RESTRICTION	FROM TO
61-K00		COMPRESSOR, AIR CON.			
FD15-61-K00	1				
61-K1X		VALVE, RELIEF			
FD15-61-K1X	1				
61-K10		SHAFT, CYL -COMPRESSOR			
FD15-61-K10	1				
61-K11		HEAD, CYL. -COMPRESSOR			
FD15-61-K11	1				
61-K12		HEAD, CYL. -COMPRESSOR			
FD15-61-K12	1				
61-K19		SEAL, SHAFT-COMPR.			
FD15-61-K19	1				
61-K20		GASKET KIT, COMPRESSOR			
FD15-61-K2X	1				
61-K23		PLUG, COMPRESSOR			
FD15-61-K23	1				
61-K24		GASKET, COMPRESSOR			
FD05-61-K24	1				
61-K25		BOLT, COMPRESSOR-AIR CON.			
F065-61-K25	5				
61-K31		BOLT, COMPRESSOR			
F065-61-K31	2				
61-K39		OIL, COMPRESSOR			
FD15-61-K39	1				
61-L10		CLUTCH, MAGNET			
FD15-61-L10	1				
61-L11		ARMATURE, MAGNETIC CLUTCH			
FD15-61-L11	1				

AUFA06

CAT. AUFA06-04

1997-01

6140

**AIR CONDITIONING COMPRESSOR COMPONENTS
(DENSO MAKE)**
**6140 -2 * AIR CONDITIONING COMPRESSOR COMPONENTS
(DENSO MAKE)**


PART NO.	QTY	MODEL/RESTRICTION	MODEL/RESTRICTION	MODEL/RESTRICTION	FROM-TO
61-L12		PULLEY, MAGNET CLUTCH			
FD15-61-L12	1				
61-L13		COIL, FIELD-MAGNET CLUTCH			
FD15-61-L13	1				
61-L14		BOLT, MAGNET CLUTCH			
F065-61-L14	1				
61-L16		RING, SNAP-MAGNET CLUTCH			
F065-61-L16	1				
61-450		COMPRESSOR			
FD15-61-450	1				
76-833B		WASHER			
B001-76-734	1				
76-877A		RING, SNAP			
B001-76-725	1				

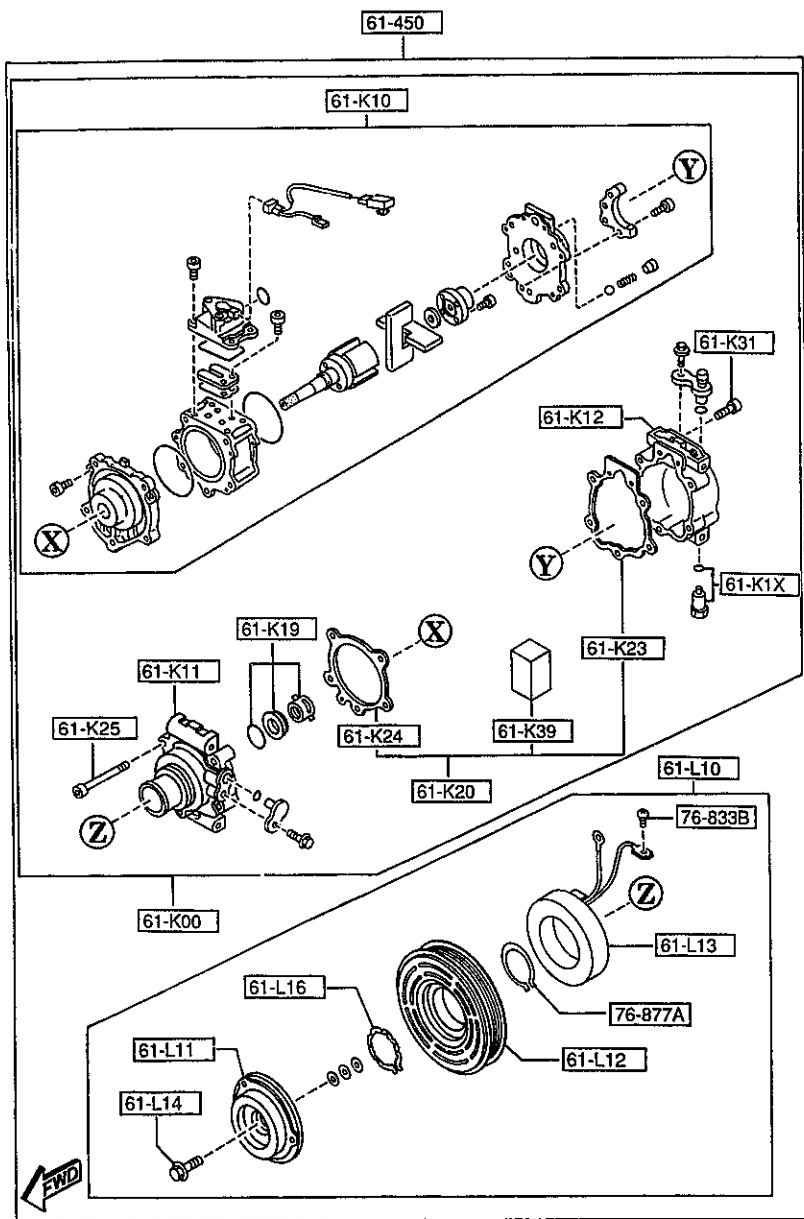
AUF006

CAT. AUF006-04

1997-01

6140A AIR CONDITIONING COMPRESSOR COMPONENTS
(MANA MAKE)

6140A -1 AIR CONDITIONING COMPRESSOR COMPONENTS
(MANA MAKE)



PART NO.	QTY	MODEL/RESTRICTION	MODEL/RESTRICTION	MODEL/RESTRICTION	FROM-TO
61-K00		COMPRESSOR, AIR CON.			
FD31-61-K00	1				
61-K1X		VALVE, RELIEF			
NA75-61-K1X	1	(A)			
61-K10		SHAFT, CYL -COMPRESSOR			
FD31-61-K10	1				
61-K11		HEAD, CYL. -COMPRESSOR			
NA75-61-K11	1	(A)			
61-K12		HEAD, CYL. -COMPRESSOR			
NA75-61-K12	1	(A)			
61-K19		SEAL, SHAFT-COMPR.			
NA75-61-K19	1	(A)			
61-K20		GASKET KIT, COMPRESSOR			
NA75-61-K2X	1	(A)			
61-K23		PLUG, COMPRESSOR			
NA75-61-K23	1	(A)			
61-K24		GASKET, COMPRESSOR			
NA02-61-K24	1	(A)			
61-K25		BOLT, COMPRESSOR-AIR			
F065-61-K25	5	CON.			
61-K31		BOLT, COMPRESSOR			
F065-61-K31	2				
61-K39		OIL, COMPRESSOR			
NA75-61-K39	1	(A)			

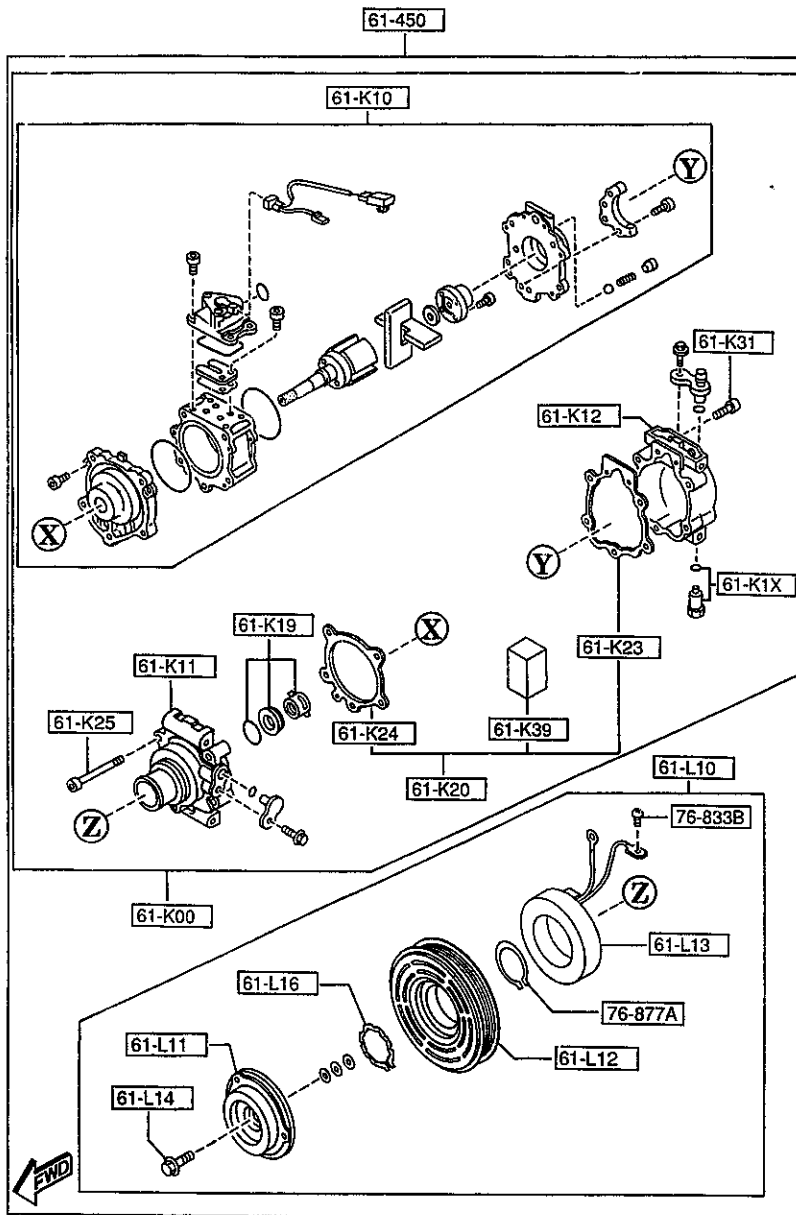
AUFA06

CAT. AUFA06-04

1997-01

6140A AIR CONDITIONING COMPRESSOR COMPONENTS
(MANA MAKE)

6140A -2 * AIR CONDITIONING COMPRESSOR COMPONENTS
(MANA MAKE)



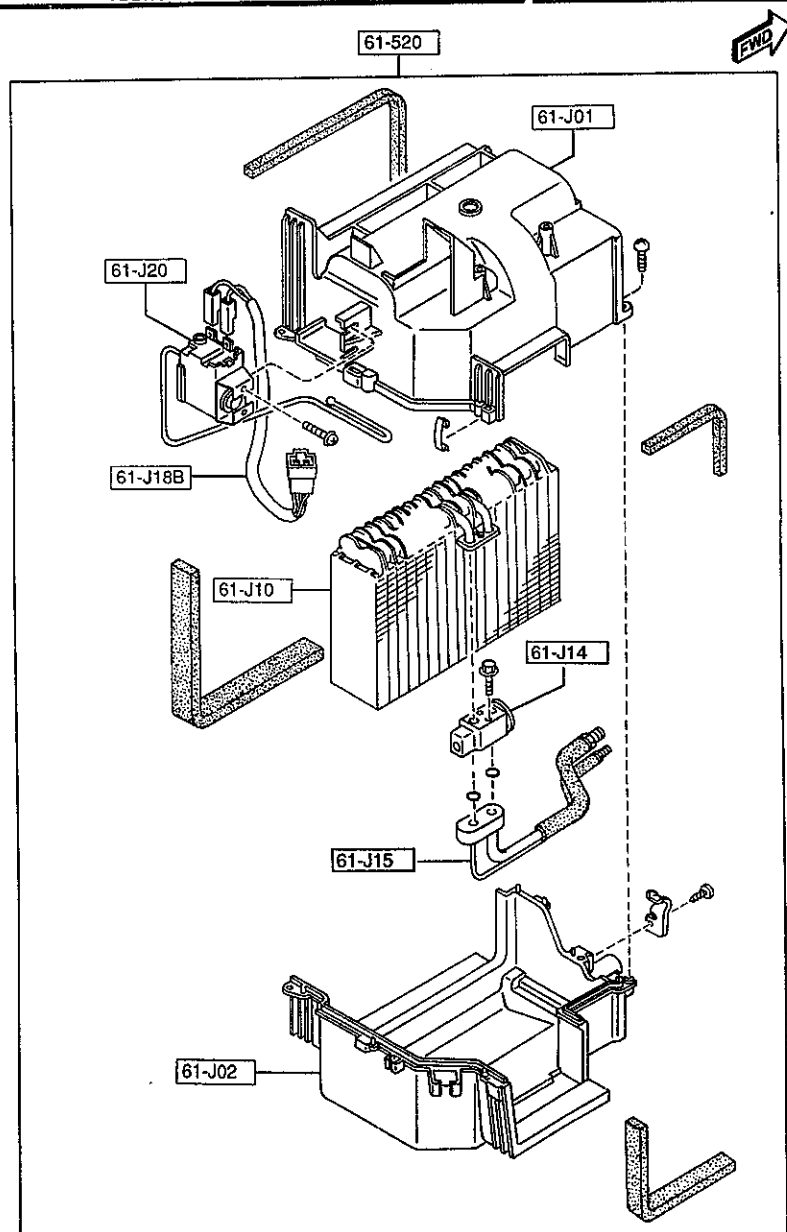
PART NO.	QTY	MODEL/RESTRICTION	MODEL/RESTRICTION	MODEL/RESTRICTION	FROM-TO
61-L10		CLUTCH, MAGNET			
FD31-61-L10	1				
61-L11		ARMATURE, MAGNETIC CLUTCH (A)			
NA75-61-L11	1				
61-L12		PULLEY, MAGNET CLUTCH			
FD31-61-L12	1				
61-L13		COIL, FIELD-MAGNET CLUTCH (A)			
NA75-61-L13	1				
61-L14		BOLT, MAGNET CLUTCH			
F065-61-L14	1				
61-L16		RING, SNAP-MAGNET CLUTCH			
F065-61-L16	1				
61-450		COMPRESSOR (A)			
FD31-61-450	1				
76-833B		WASHER			
B001-76-734	1				
76-877A		RING, SNAP			
B001-76-725	1				

AUFA06

CAT. AUFA06-04

1997-01

6150

AIR CONDITIONING COOLING UNIT
(DENSO MAKE)6150 -1 * AIR CONDITIONING COOLING UNIT
(DENSO MAKE)

PART NO.	QTY	MODEL/RESTRICTION	MODEL/RESTRICTION	MODEL/RESTRICTION	FROM-TO
61-J01		CASE 'A', COOLING UNIT			
FD15-61-J01	1				
61-J02		CASE 'B', COOLING UNIT			
FD15-61-J02	1				
61-J10		EVAPORATOR			
FD15-61-J10	1				
61-J14		VALVE, EXPANSION			
FD15-61-J14	1				
61-J15		PIPE, COOLING UNIT			
FD15-61-J15	1				
61-J18B		HARNES, COOLING UNIT			
FD15-61-J43	1				
61-J20		THERMOSTAT, COOLING UNIT			
FD15-61-J20	1				
61-520		UNIT, COOLING			
FD15-61-520	1				

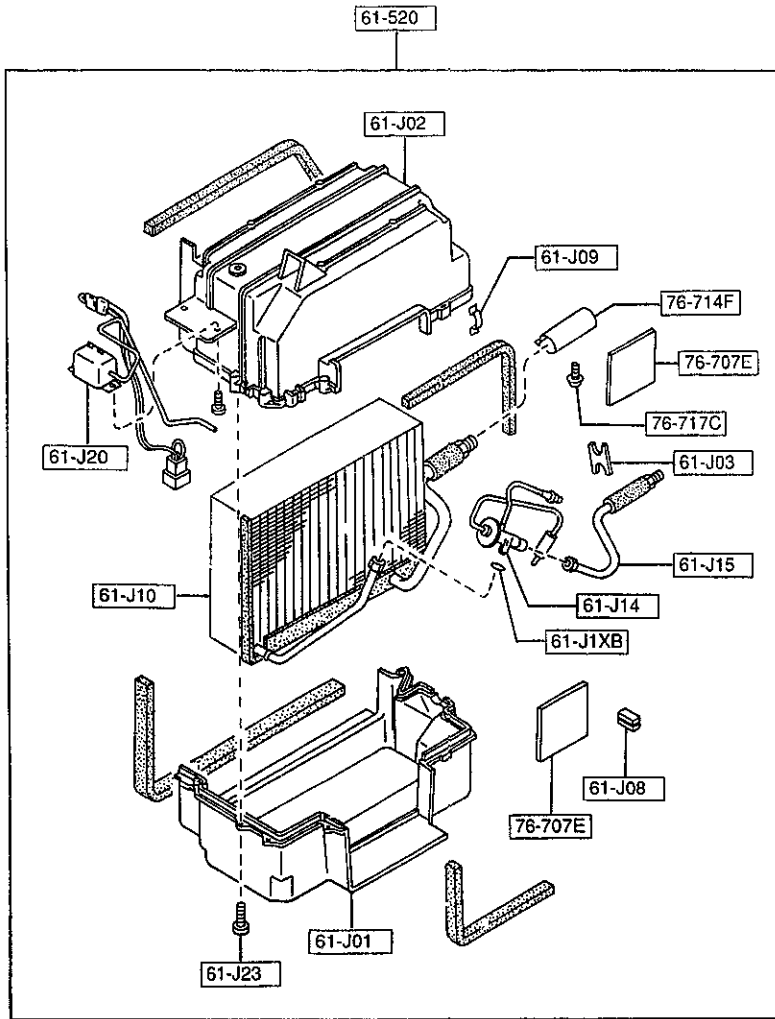
AUFA06

CAT. AUFA06-04

1997-01

6150A AIR CONDITIONING COOLING UNIT
(MANA MAKE)

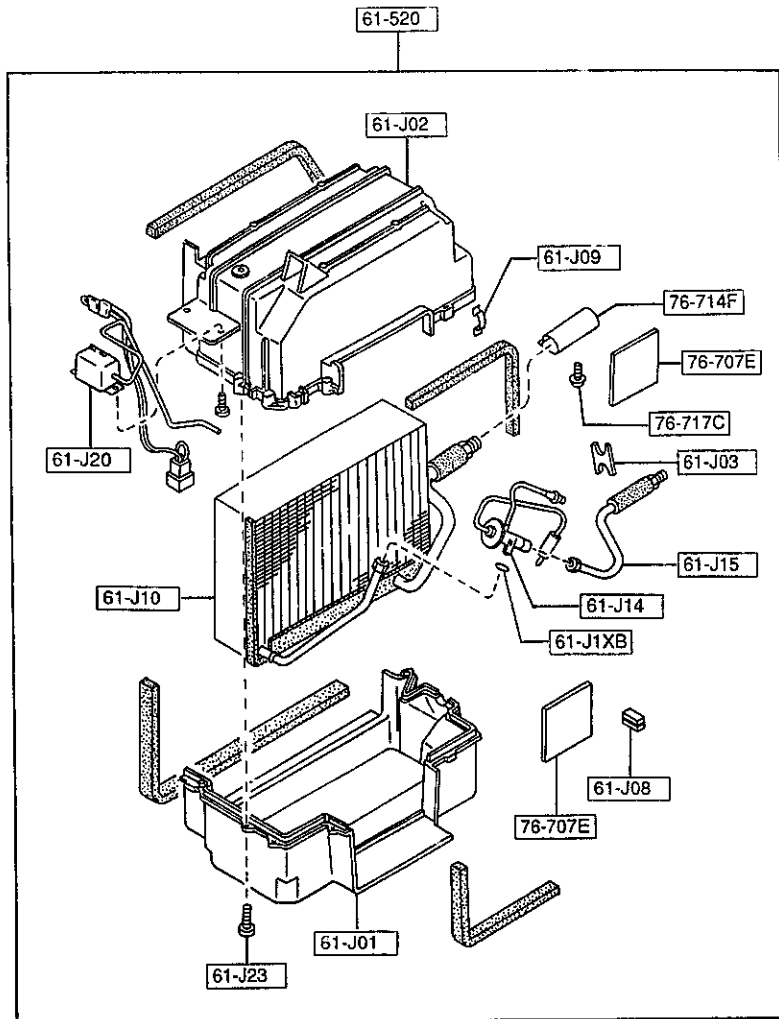
6150A -1 AIR CONDITIONING COOLING UNIT
(MANA MAKE)



PART NO.	QTY	MODEL/RESTRICTION	MODEL/RESTRICTION	MODEL/RESTRICTION	FROM-TO
61-J01 FD17-61-J01	1	CASE 'A', COOLING UNIT (A)			
61-J02 FD17-61-J02	1	CASE 'B', COOLING UNIT (A)			
61-J03 FD01-61-J03	1	CASE 'C', COOLING UNIT (A)			
61-J08 GJ51-61-J08	1	CLIP, COOLING UNIT (G)			
61-J09 G213-61-J09	2	CLIP, COOLING UNIT			
61-J1XB H261-61-J17	1	RING, 'O'-NO. 3			
61-J10 FD17-61-J10	1	EVAPORATOR (A)			
61-J14 FD31-61-J14	1	VALVE, EXPANSION (A)			
61-J15 FD17-61-J15	1	PIPE, COOLING UNIT (A)			
61-J20 FB01-61-J20	1	THERMOSTAT, COOLING U NIT			
61-J23 GJ51-61-J23	5	SCREW, COOLING UNIT (G)			
61-520 FD31-61-520	1	UNIT, COOLING			

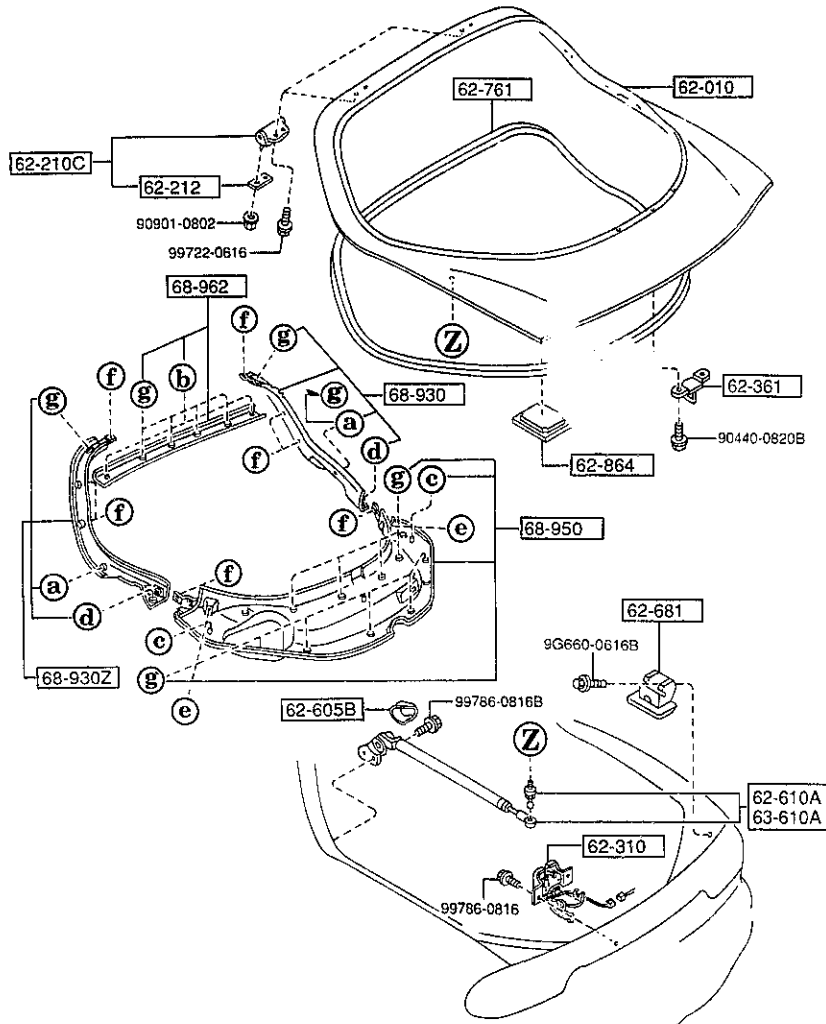
6150A AIR CONDITIONING COOLING UNIT
(MANA MAKE)

6150A -2 * AIR CONDITIONING COOLING UNIT
(MANA MAKE)



PART NO.	QTY	MODEL/RESTRICTION	MODEL/RESTRICTION	MODEL/RESTRICTION	FROM-TO
76-707E		INSULATOR			
HA14-76-707	2				
76-714F		CLIP			
H001-76-714	1				
76-717C		SCREW			
H001-76-717	1				

6230 LIFT GATE MECHANISMS



(a)	(b)	(c)	(d)	(e)	(f)	(g)
68-AD1	68-AD2	68-D21	68-172H	68-305B	68-865Q	68-865S

AUFA06

6230 -1 LIFT GATE MECHANISMS

PART NO.	QTY	MODEL/RESTRICTION	MODEL/RESTRICTION	MODEL/RESTRICTION	FROM-TO
62-010		BODY, LIFT GATE			
FD01-62-020E A (FD01-62-020F)	1	((W/O SUN ROOF))<(NOR SUSP)< (W/STEEL SUN ROOF)			-5301
FD03-62-020E	1	((W/O SUN ROOF))<(HARD SUSP)<			-5301
FD04-62-020E A (FD04-62-020F)	1	(W/GLASS SUN ROOF)			-5301
FD01-62-020F	1	((W/O SUN ROOF))<(NOR SUSP)< (W/STEEL SUN ROOF)			5301-
FD03-62-020G	1	((W/O SUN ROOF))<(HARD SUSP)<			5301-
FD04-62-020F	1	(W/GLASS SUN ROOF)			5301-
62-210C		HINGE, GLASS HATCH			
FD01-62-210C	2				
62-212		GASKET, HINGE-LIFT GATE			
B001-62-212	2				
62-310		LOCK, LIFT GATE			
FD01-62-310	1				
62-361		STRIKER, LOCK			
KA01-62-361	1				
62-605B		COVER, DAMPER STAY			
FB01-62-615	2				
62-610A		STAY(R), DAMPER			
8BF9-62-620	1	((W/O SUN ROOF))<(HARD SUSP)< (W/GLASS SUN ROOF)			
8BF9-62-620	1	((W/O SUN ROOF))<(NOR SUSP)< (W/STEEL SUN ROOF)			
62-681		WEDGE, LIFTGATE			
FD01-62-681B	2				
62-761		WTHSTP, LIFT GATE			
FD01-62-761	1				

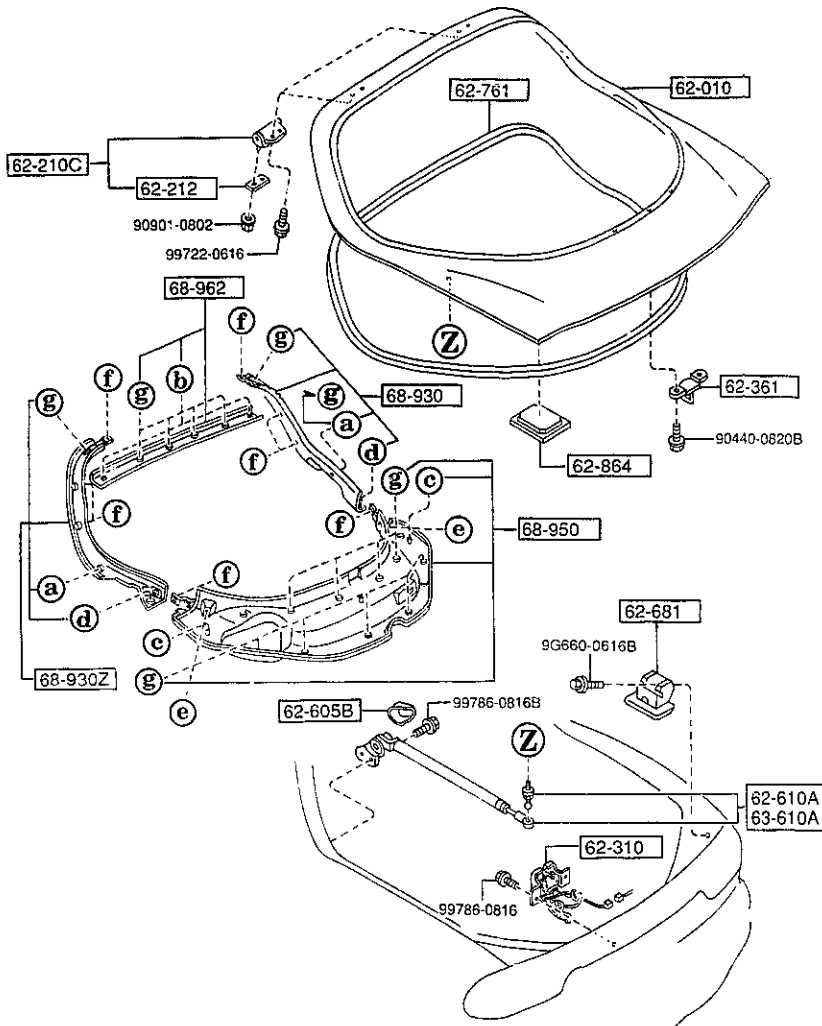
5301 FD333 -400027

CAT. AUFA06-04

1997-01

6230 LIFT GATE MECHANISMS

6230 -2 LIFT GATE MECHANISMS



a	b	c	d	e	f	g
68-AD1	68-AD2	68-D21	68-172H	68-305B	68-865Q	68-865S

PART NO.	QTY	MODEL/RESTRICTION	MODEL/RESTRICTION	MODEL/RESTRICTION	FROM-TO
62-864		TAPE, PROTECTOR-STOPPER			
B467-62-864B	2				
63-610A		STAY(L), DAMPER			
BBF5-63-620	1	((W/O SUN ROOF)>(NOR SUSP)) (W/STEEL SUN ROOF)			
8BF6-63-620	1	((W/O SUN ROOF)>(HARD SUSP)) (W/GLASS SUN ROOF)			
68-AD1		CLIP, SLIDE			
B499-68-AD1A	2				-5403
*B499-68-AD1A	1				5403-
68-AD2		CLIP			
B455-68-AD2	2				
68-D21		CLIP, TRIM			
LA10-68-D21	2				
68-172H		FASTENER, CTR. P/UPP.			
B100-68-215A	2				
68-305B		HANGER, STRAP			
FD01-68-301	2				
02	INT-	FE5 FE6 FE7 BLACK			
68-865Q		FASTENER			
GJ21-68-885B	8				
00	INT-	FE5 FE6 FE7 BLACK			
68-865S		CLIP, TRIM			
GJ12-68-865	17				-5403
GJ12-68-865	18				5403-
68-930		TRIM(R), LIFT GATE-SIDE			
FD01-68-940B	1				
02	INT-	FE5 FE6 FE7 BLACK			
68-930Z		TRIM(L), LIFT GATE-SIDE			
5403 FD333 -400028					

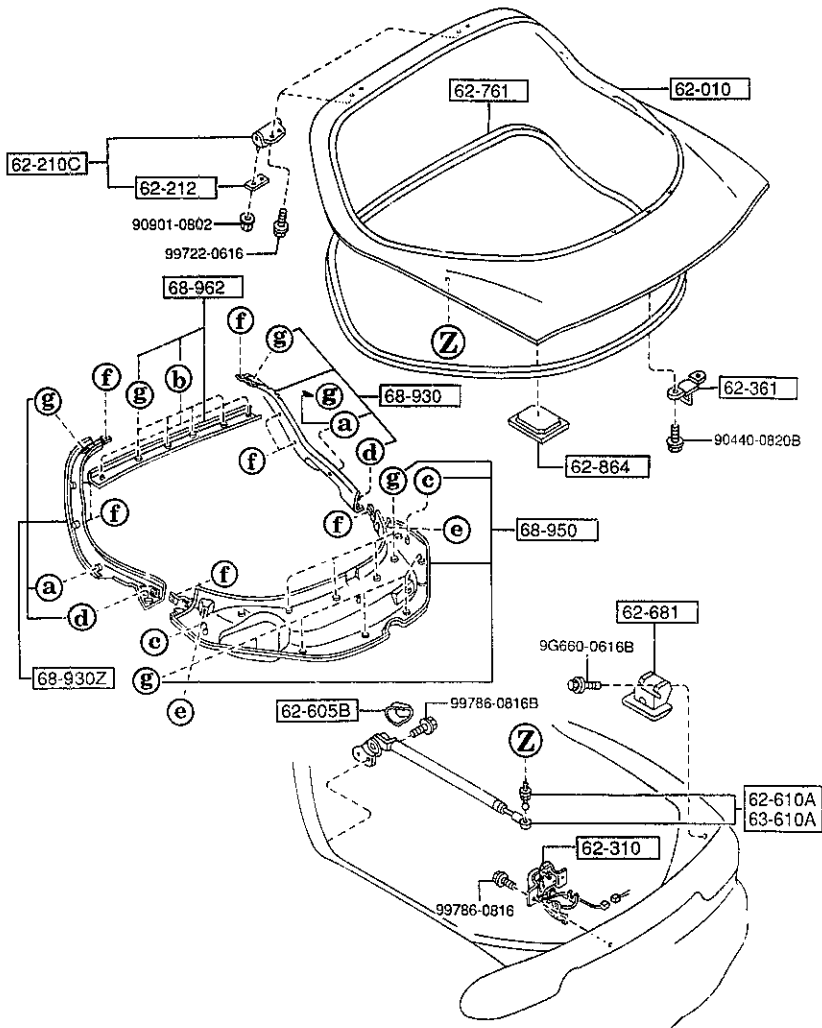
AUFA06

CAT. AUFA06-04

1997-01

6230 LIFT GATE MECHANISMS

6230 -3 * LIFT GATE MECHANISMS



(a)	(b)	(c)	(d)	(e)	(f)	(g)
68-AD1	68-AD2	68-D21	68-172H	68-305B	68-865Q	68-865S

PART NO.	QTY	MODEL/RESTRICTION	MODEL/RESTRICTION	MODEL/RESTRICTION	FROM-TO
CONT'D					
FD01-68-950B	1				
02	INT-	FE5 FE6 FE7 BLACK			
68-950		TRIM,LIFTGATE-LOWER			
FD01-68-960C	1				
02	INT-	FE5 FE6 FE7 BLACK			
68-962		TRIM,LIFTGATE-UPPER			
FD01-68-930A	1				
02	INT-	FE5 FE6 FE7 BLACK			

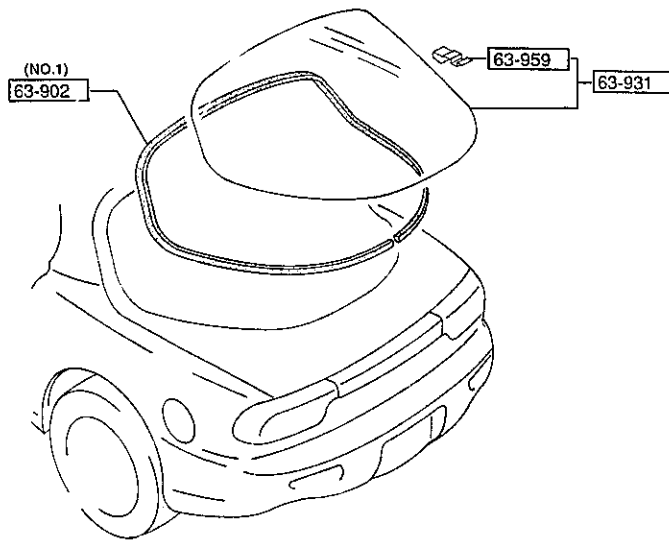
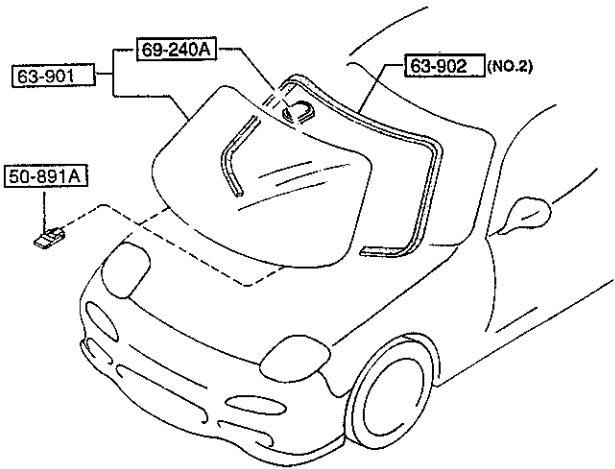
AUFA06

CAT. AUFA06-C

1997-01

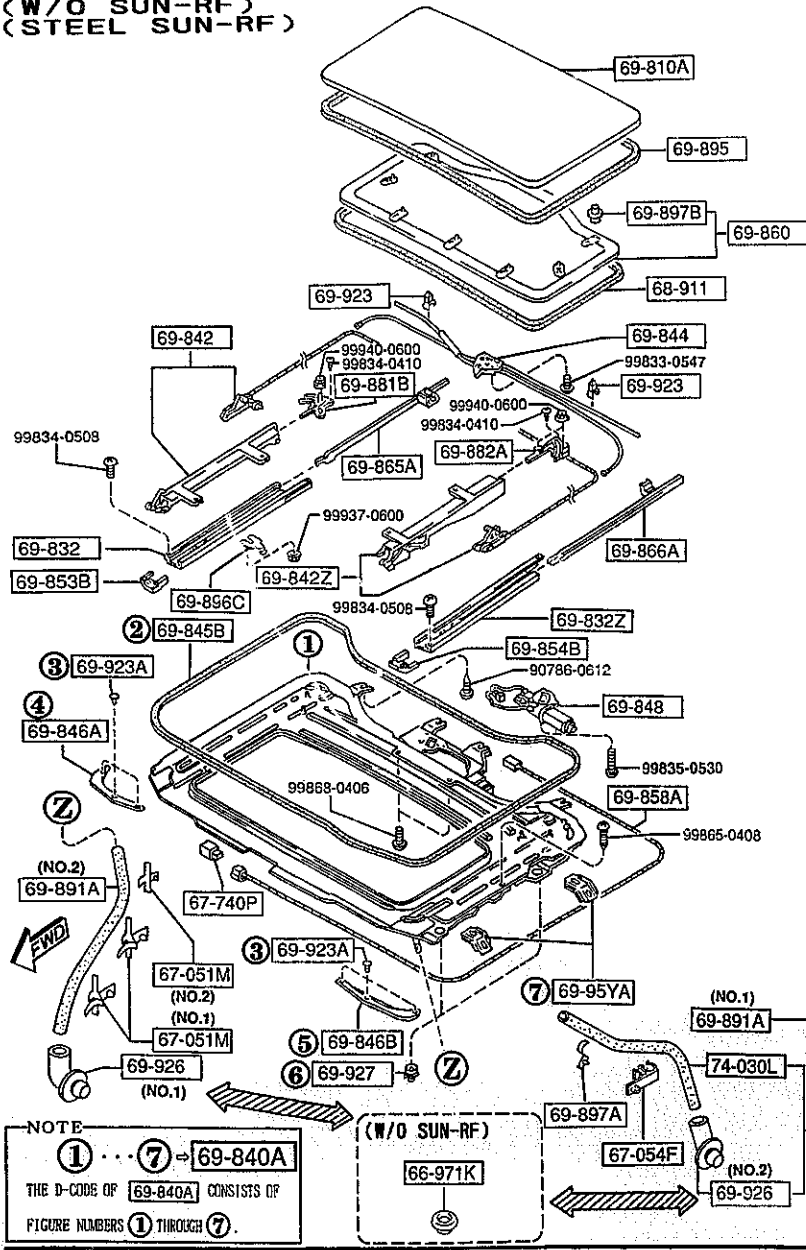
6300 WINDOW GLASSES

6300 -1 * WINDOW GLASSES



PART NO.	QTY	MODEL/RESTRICTION	MODEL/RESTRICTION	MODEL/RESTRICTION	FROM-TO
50-891A EA01-50-891A	2	SPACER, WINDOW WHITE			
63-901 FD31-63-900	1	GLASS, WINDSHIELD			
63-902 FD01-50-894	1	DAM, FRT. WSHLD GLASS L=3120MM (ILLUST. NO.1)			
8545-63-902	1	L=3850MM (ILLUST. NO.2)			
63-931 FD15-63-930	1	GLASS, BACK WINDOW			
63-959 FB01-63-959	3	TERMINAL, BACK WIND. GLASS			
69-240A BC1C-69-240	1	BASE, INTERIOR MIRROR			

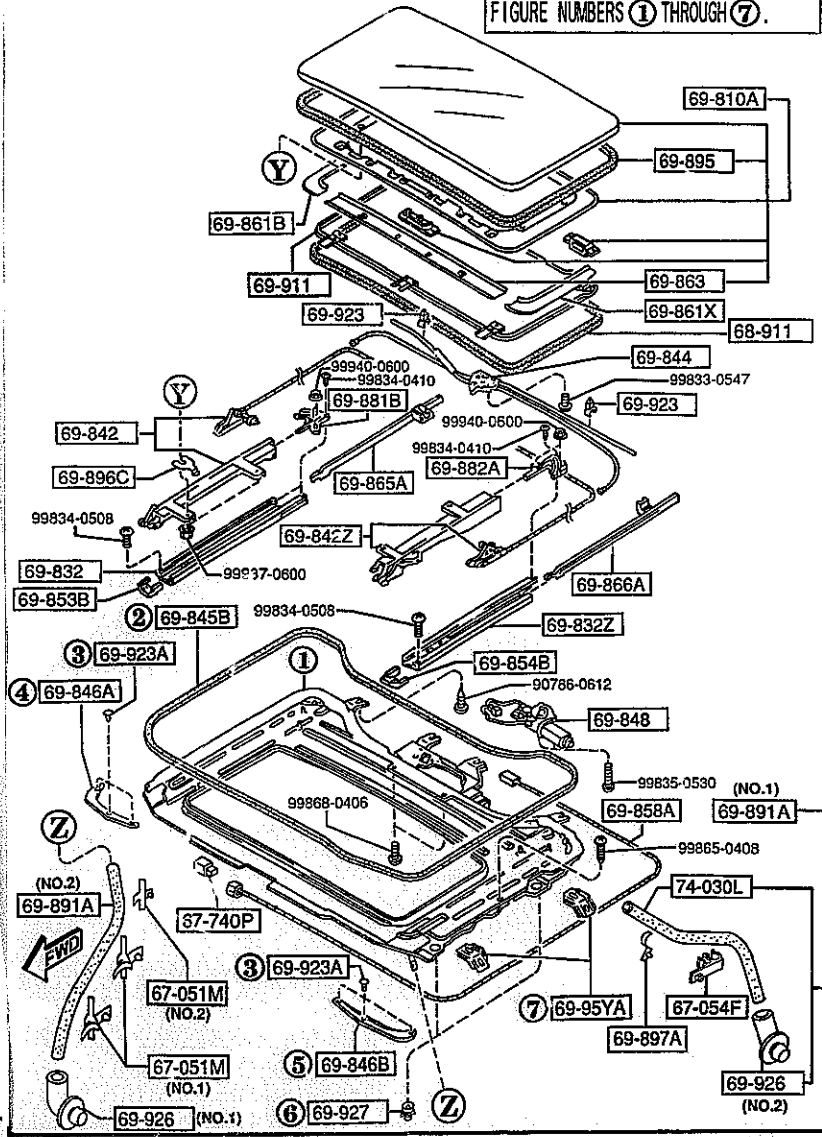
(W/O SUN-RF)
(STEEL SUN-RF)



AUFA06

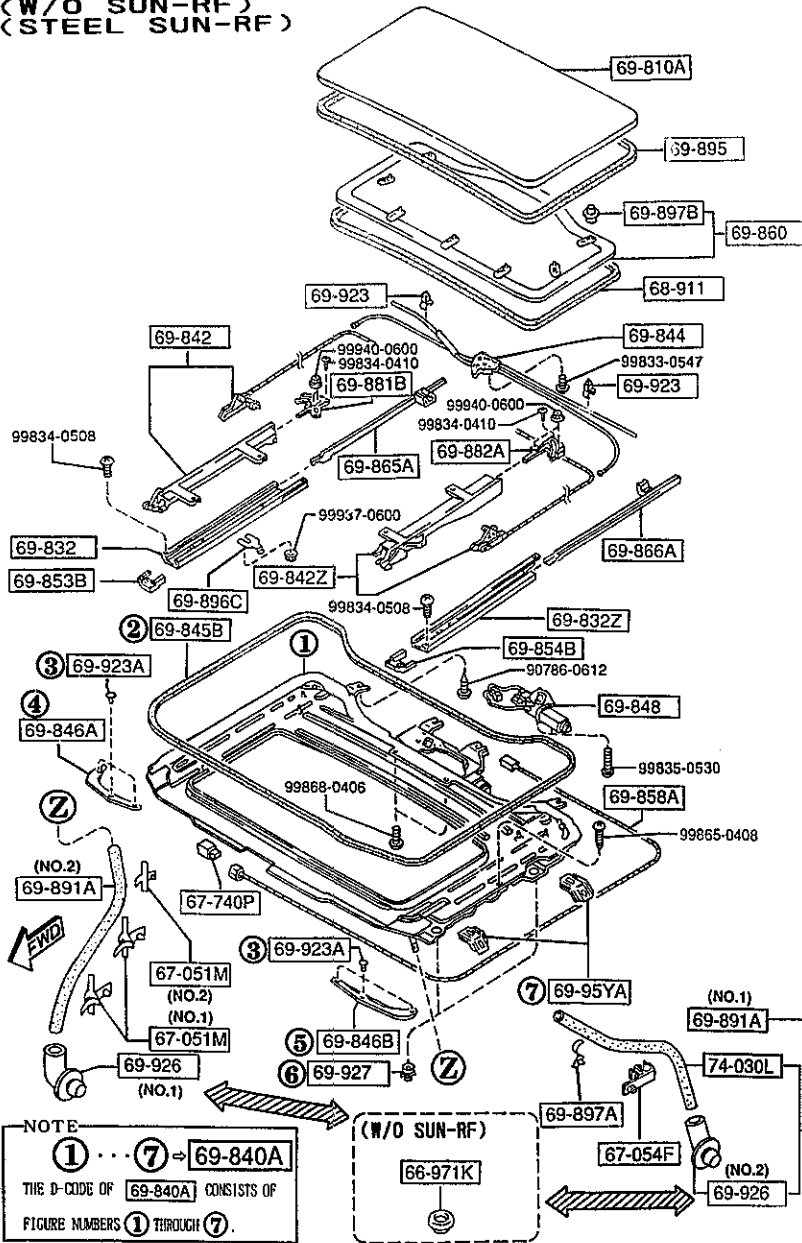
(GLASS SUN-RF)

NOTE
①...⑦ → 69-840A
THE D-CODE OF 69-840A CONSISTS OF
FIGURE NUMBERS ① THROUGH ⑦.



AUFA06

(W/O SUN-RF)
(STEEL SUN-RF)



PART NO.	QTY	MODEL/RESTRICTION	MODEL/RESTRICTION	MODEL/RESTRICTION	FROM-TO
66-971K		GROMMET			
0222-66-971	4	(W/O SUN ROOF)			
67-051M		CLIP			
8455-67-C31	2	(ILLUST. NO.1)			
GA2A-67-C33	1	(ILLUST. NO.2)			
67-054F		CLIP			
6030-67-052	2				
67-740P		RELAY,SLIDE ROOF			
EA05-69-875	1				
68-911		WELT,SEAMING			
FD01-69-981A	1				
02	INT-	FE5 FE6 FE7 BLACK			
69-810A		PANEL,SLIDING ROOF			
FD01-69-810B	1	(W/STEEL SUN ROOF)			
F114-69-810B	1	(W/GLASS SUN ROOF)			
69-832		RAIL(R),GUIDE			
FD01-69-851	1				
69-832Z		RAIL(L),GUIDE			
FD01-69-852	1				
69-840A		FRAME,SLIDING ROOF			
FD01-69-840	1				
69-842		GUIDE(R),REAR			
FD01-69-864	1				
69-842Z		GUIDE(L),REAR			
FD01-69-865	1				
69-844		UNIT,DRIVE			
FD01-69-861	1				
69-845B		TAPE,SEAL-SLDG ROOF FRAME			

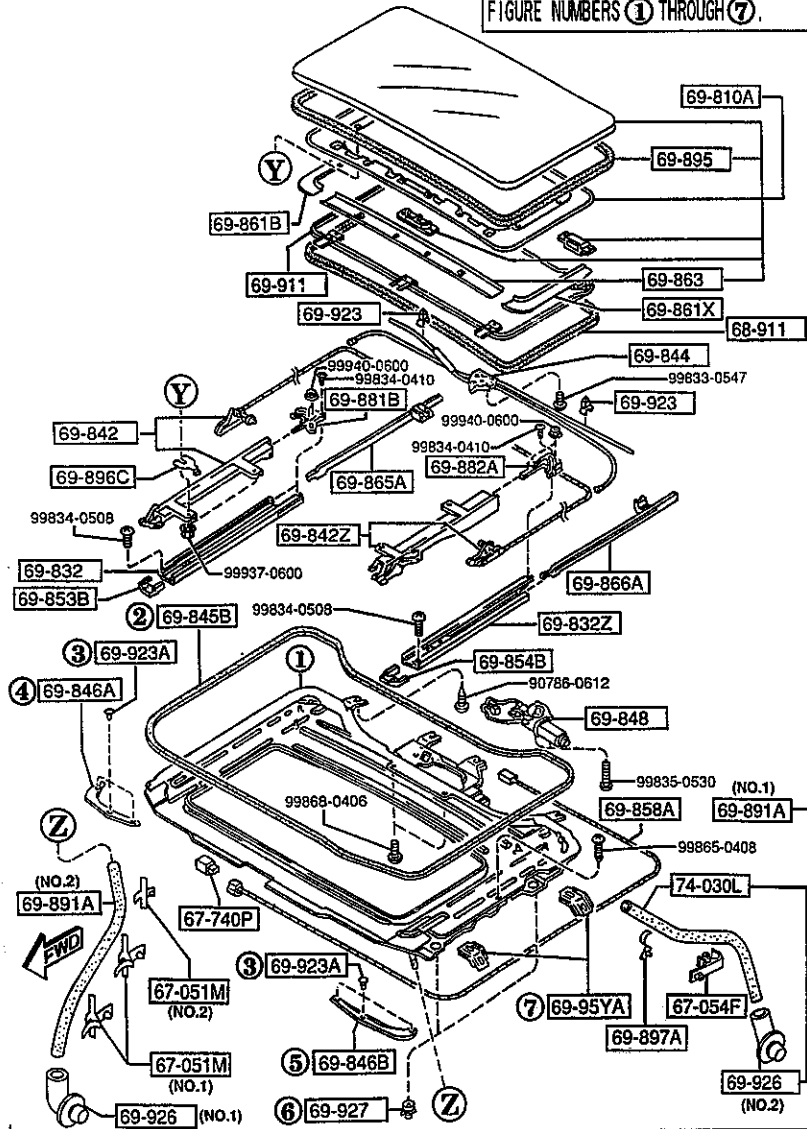
AUFA06

CAT. AUFA06-04

1997-01

NOTE

①...⑦ → 69-840A
 THE D-CODE OF 69-840A CONSISTS OF
 FIGURE NUMBERS ① THROUGH ⑦.



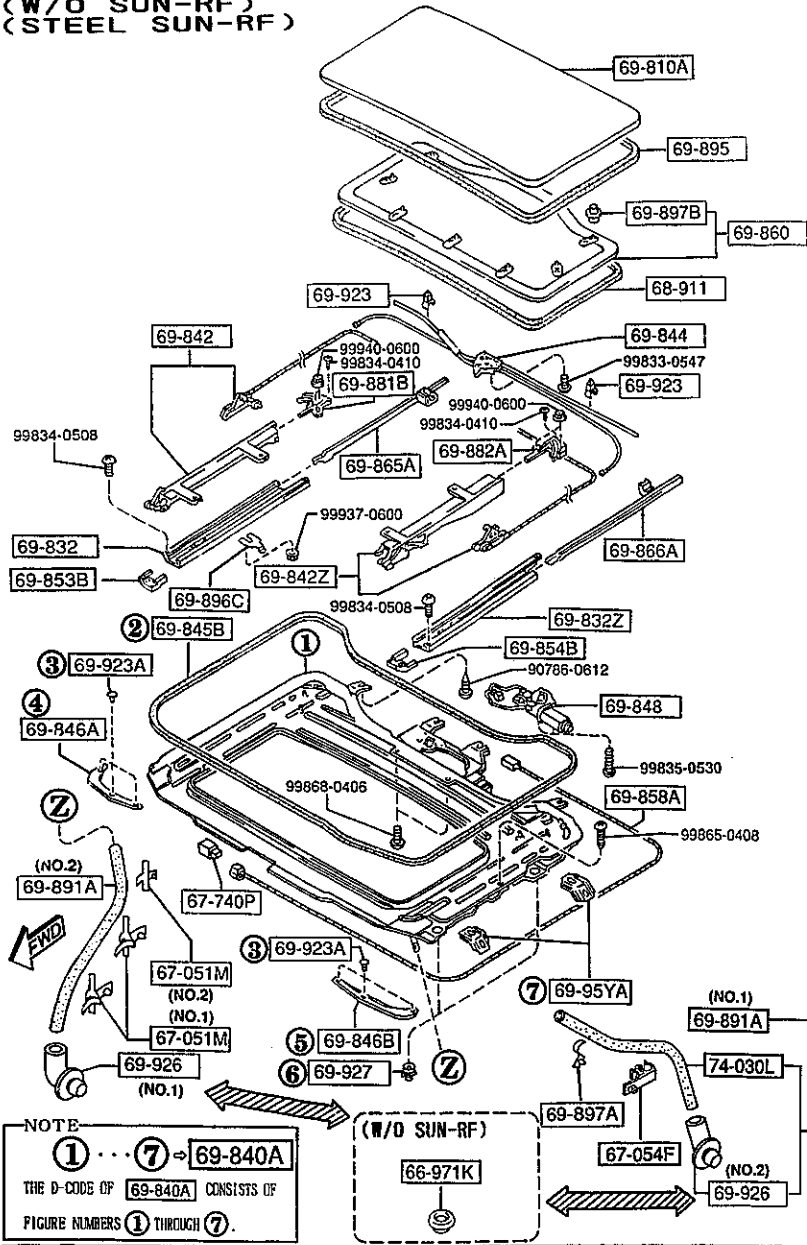
AUFA06

PART NO.	QTY	MODEL/RESTRICTION	MODEL/RESTRICTION	MODEL/RESTRICTION	FROM-TO
CONT'D					
FD01-69-845	1				
69-846A					
FD01-69-846	1	COVER'A', FRAME-SLIDE ROOF			
69-846B					
FD02-69-846	1	COVER'B', FRAME-SLIDE ROOF			
69-848					
EA05-69-871	1	MOTOR, SLIDING ROOF			
69-853B					
FD01-69-858	1	PLATE(R), POSITION-S. ROOF			
69-854B					
FD01-69-859	1	PLATE(L), POSITION-S. ROOF			
69-858A					
EA05-69-872	1	HARNES, SLIDING ROOF			
69-860					
FD01-69-960A	1	TRIM, SLIDING ROOF			
02	INT-	FE5 FE6 FE7 BLACK			
69-861B					
F114-69-983	1	COVER(R), DECORATION (W/GLASS SUN ROOF)			
69-861X					
F114-69-984	1	COVER(L), DECORATION (W/GLASS SUN ROOF)			
69-863					
F114-69-893	1	COVER, LOWER PANEL (W/GLASS SUN ROOF)			
69-865A					
FD01-69-9H1	1	SHUTTING(R), SLIDING ROOF			
69-866A					
FD01-69-9H2	1	SHUTTING(L), SLIDING ROOF			
69-881B					
FD01-69-9H3	1	PLATE(R), GUIDE			

CAT. AUFA06-04

1997-01

(W/O SUN-RF)
(STEEL SUN-RF)



PART NO.	QTY	MODEL/RESTRICTION	MODEL/RESTRICTION	MODEL/RESTRICTION	FROM-TO
69-882A		PLATE(L),GUIDE			
FD01-69-9H4	1				
69-891A		HOSE,DRAIN-SUN ROOF FRONT			
FD04-69-920	2	(ILLUST. NO.1)			
69-897B		WEATHERSTRIP,S/ROOF			
FD01-69-921	2	(ILLUST. NO.2)			
69-895		WEATHERSTRIP,S/ROOF			
FD01-69-825A	1	(W/STEEL SUN ROOF)			
F114-69-825	1	(W/GLASS SUN ROOF)			
69-896C		SHIM,LOWER PANEL FRONT			
FB03-69-896A	4				
69-897A		CLIP			
G034-69-897	2				
69-897B		FASTENER,TRIM-SLIDE ROOF			
GA2B-69-897	7	(W/STEEL SUN ROOF)			
69-911		SHADE,SUN			
F114-69-890A	1	(W/GLASS SUN ROOF)			
69-923		CLIP,DRAIN HOSE-SUN ROOF			
FD01-69-929	2				
69-923A		CLIP,DRAIN HOSE-REAR			
FD01-69-923	6				
69-926		JOINT,DRAIN HOSE-REAR			
F100-69-926A	2	(ILLUST. NO.1)			
KA02-69-926	2	(ILLUST. NO.2)			
69-927		NUT,ADJUST-S/ROOF FRAME			
GA2B-69-927	4				
69-95YA		BRACKET,SUN ROOF-FRONT			
FD01-69-842	4				
74-030L		HOSE,DRAIN-REAR			

NOTE
①...⑦ → 69-840A
THE D-CODE OF 69-840A CONSISTS OF
FIGURE NUMBERS ① THROUGH ⑦.

AUFA06

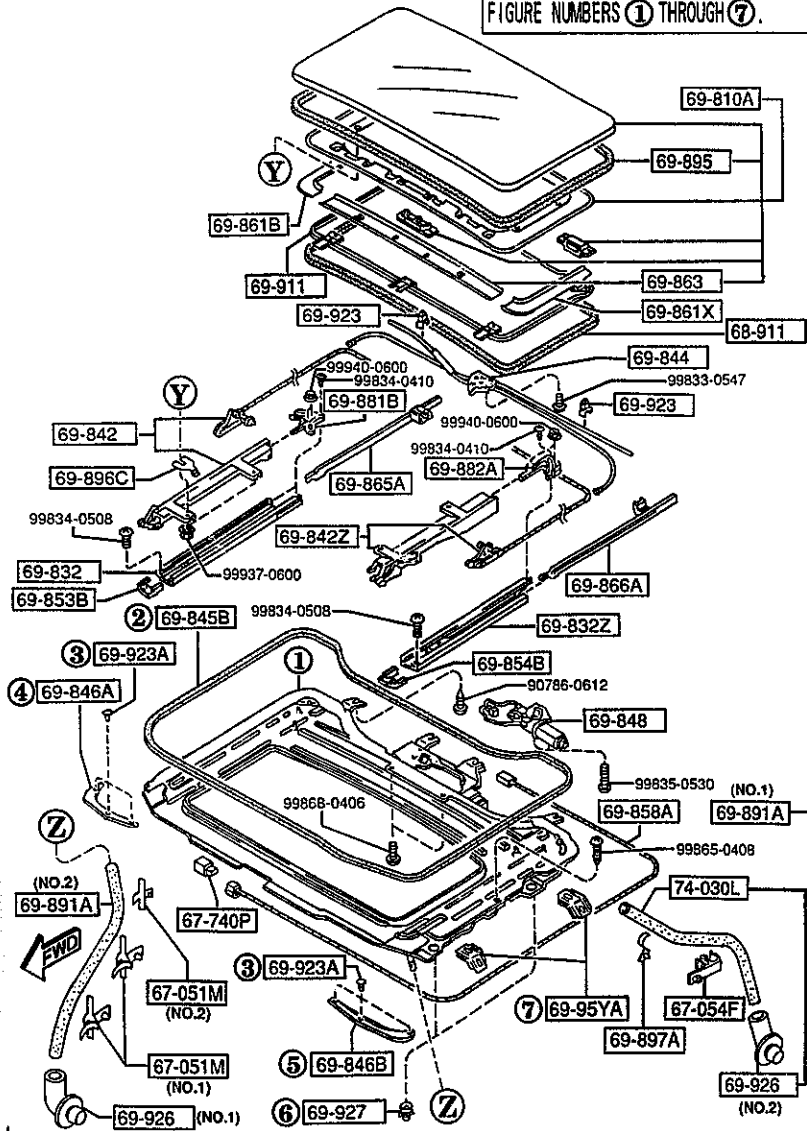
CAT. AUFA06-04

1997-01

(GLASS SUN-RF)

NOTE

①...⑦ → 69-840A
 THE D-CODE OF 69-840A CONSISTS OF
 FIGURE NUMBERS ① THROUGH ⑦.

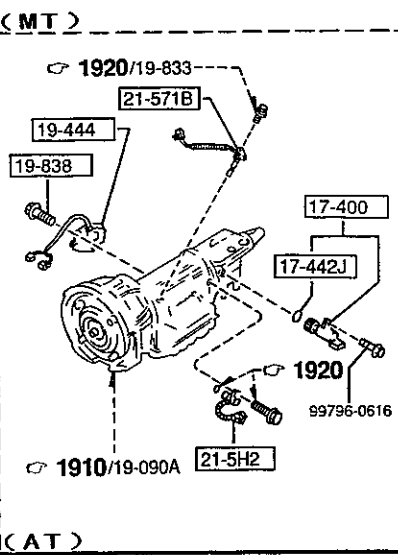
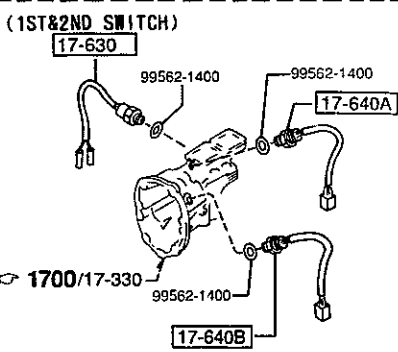
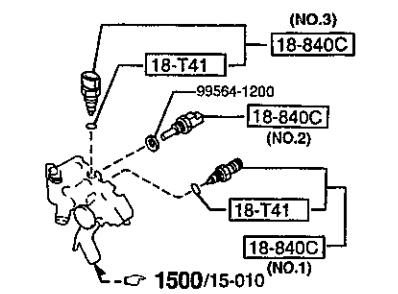
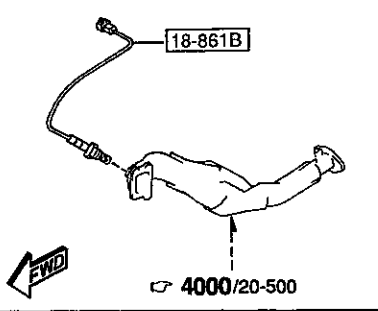
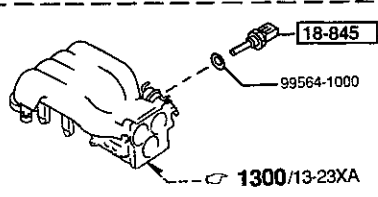
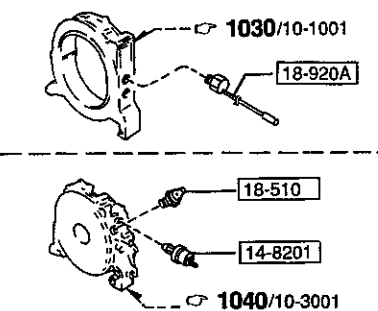
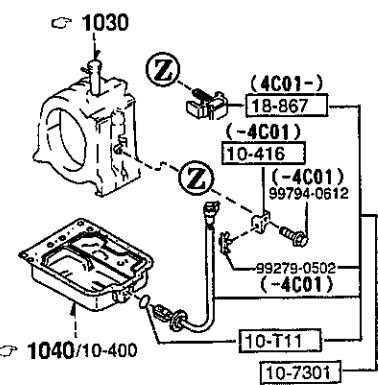
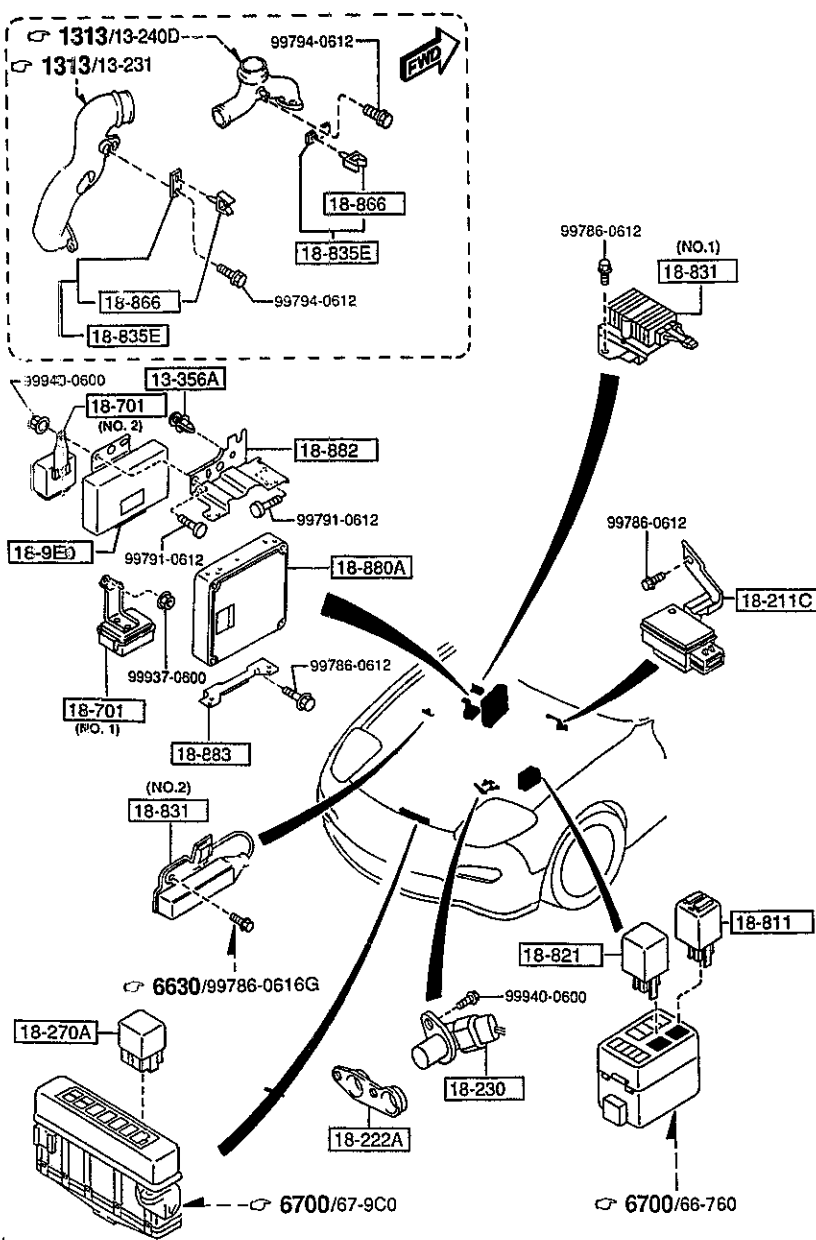


AUFA06

PART NO.	QTY	MODEL/RESTRICTION	MODEL/RESTRICTION	MODEL/RESTRICTION	FROM-TO
CONT'D FD04-69-922	2				

CAT. AUFA06-04

1997-01

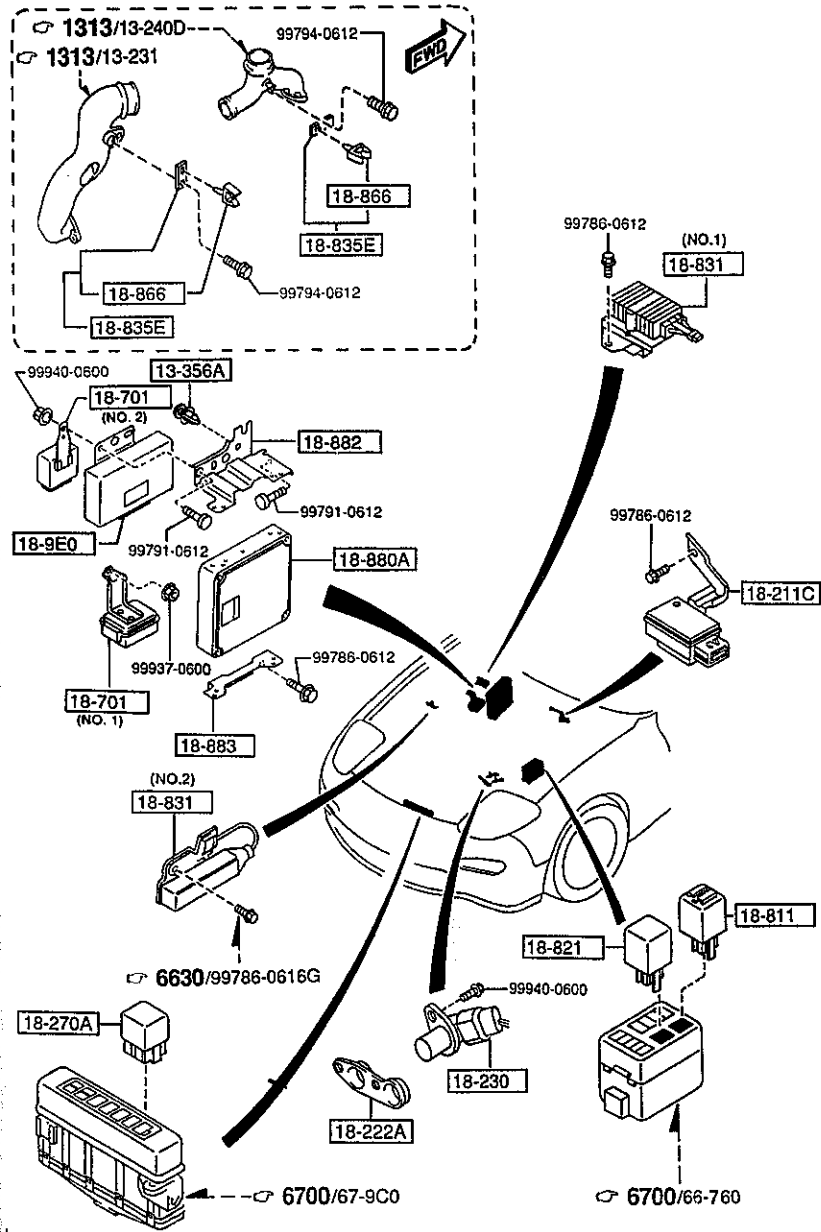


AUFA06

AUFA06

6600 ENGINE SWITCHES & RELAYS

(1/2)



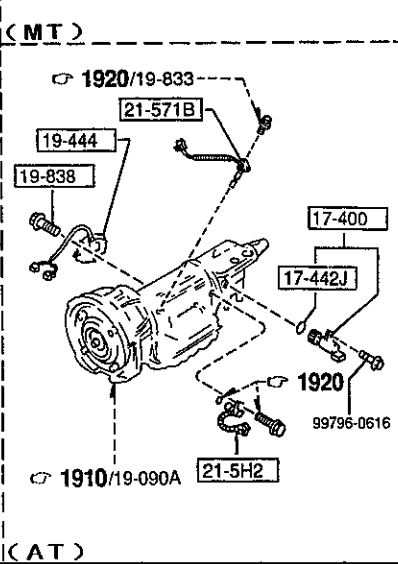
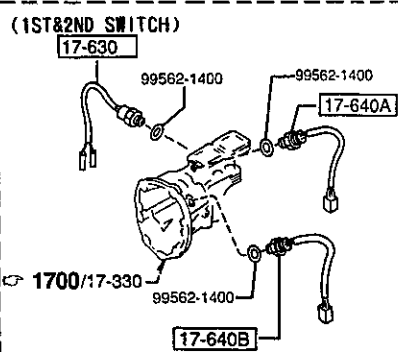
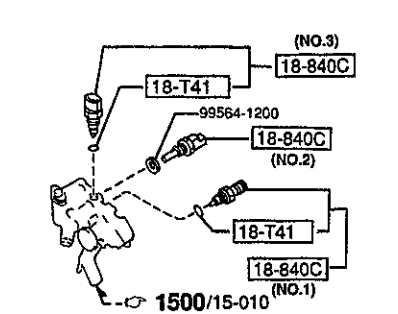
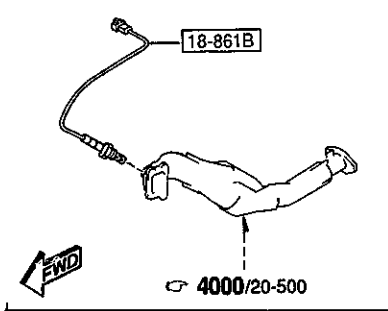
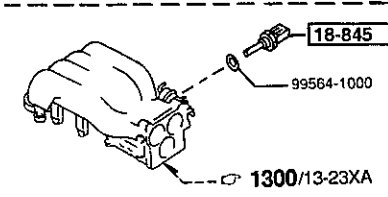
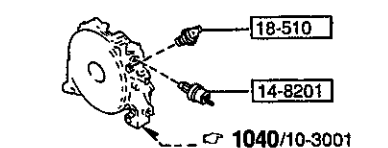
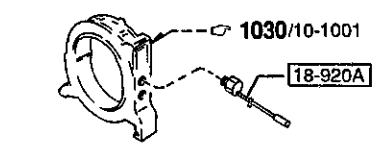
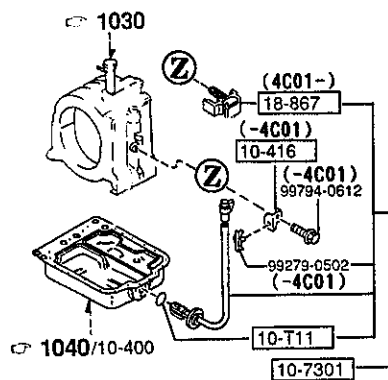
6600 -1 ENGINE SWITCHES & RELAYS

PART NO.	QTY	MODEL/RESTRICTION	MODEL/RESTRICTION	MODEL/RESTRICTION	FROM-TO
10-T11		RING, 'O'-OIL LEVEL S			
N326-10-T11	1	ENSOR			
10-416		PLATE, LOCKING			
NSA1-10-416	1				-4C01
10-7301		SENSOR, OIL LEVEL			
NSA1-10-470	1				-4C01
A (NSA1-10-470A)					
NSA1-10-470A	1				4C01-
13-356A		RIVET			
N304-13-356B	1				
14-8201		GAUGE UNIT, OIL PRES.			
NSA1-14-820	1				
17-400		GEAR SET, DRIVEN-SPEE			
BV65-17-400	1	B			(AT)
17-442J		RING, 'O'			
1011-17-443	1	(AT)			
17-630		SWITCH			
R506-17-640	1	(1ST & 2ND SWITCH)			(MT)
17-640A		SWITCH, PARK & NEUTRA			
R507-17-640	1	L			(MT)
17-640B		SWITCH, BACK UP LAMP			
R508-17-640	1	(MT)			
18-T41		RING, 'O'-WATER THERM			
F8B5-18-T41	1	D SW.			(MT)
F8B5-18-T41	2	(AT)			
18-211C		SENSOR, M. A. P.			
NSA1-18-211	1				
18-222A		PLATE, SENSOR			
4C01 FD333 -400022					

AUFA06

CAT. AUFA06-04

1997-01

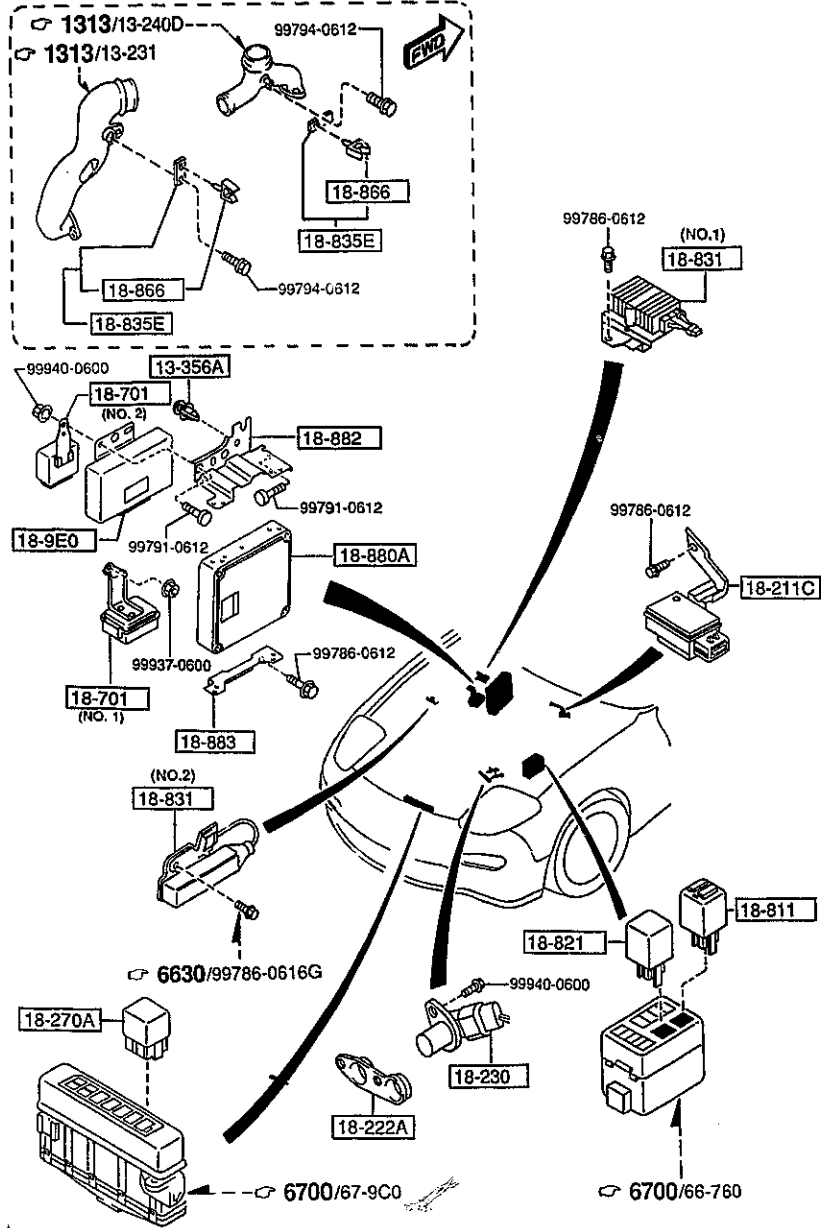


(AT)

PART NO.	QTY	MODEL/RESTRICTION	MODEL/RESTRICTION	MODEL/RESTRICTION	FROM-TO
CONT'D					
N3A1-18-222	1				
18-230		SENSOR, CRANKSHAFT PO			
N3A1-18-221	2				
18-270A		RELAY, FUEL PUMP			
NF01-18-821	1				
18-510		UNIT, HEAT GAUGE			
JE15-18-51X	1	PANASONIC			
KL01-18-51X	1	NIHON THERMOSTAT			
18-701		CONTROL UNIT			
N3A1-18-701	1	(ILLUST. NO.1)			
N3D8-18-701	1	(ILLUST. NO.2)			5418-
		(CALIF.)			
		(FED.)			
18-811		RELAY, MAIN			
JE16-18-811	1	DENSO			
18-821		RELAY, FUEL PUMP			
NF02-18-821A	1				
18-831		RESISTOR			
N3A1-18-831	1	(ILLUST. NO.1)			
N3A2-18-831A	1	(ILLUST. NO.2)			
		(AT)			
18-835E		BRACKET, BOOST SENSOR			
N3A1-18-835	2				
18-840C		SENSOR, TEMP.-ENG. COO			
F202-18-840A	1	LANT			
		DENSO			
		(ILLUST. NO.1)			
NF02-18-840	1	(ILLUST. NO.2)			
N370-18-840	1	(ILLUST. NO.3)			
		(AT)			
18-845		SENSOR, IN. AIR TEMP			
5418 FD333 -400030					

6600 ENGINE SWITCHES & RELAYS

(1/2)



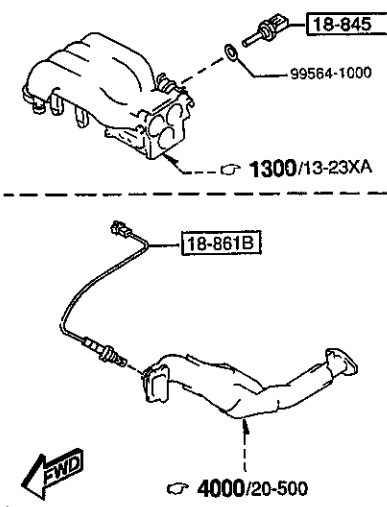
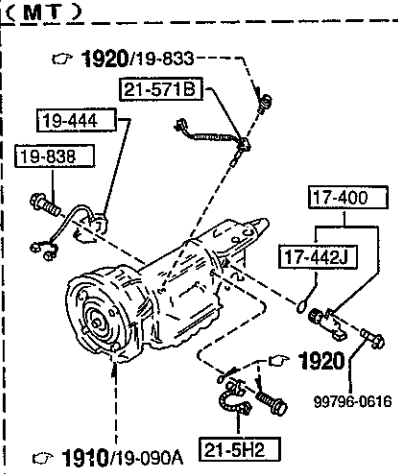
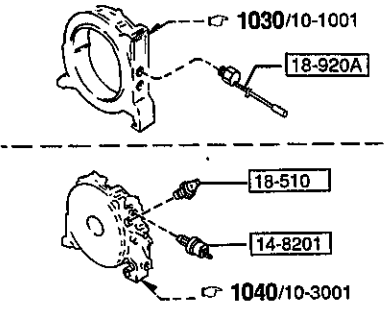
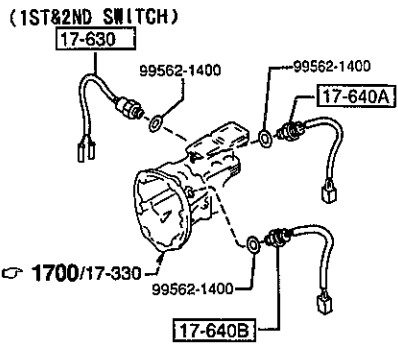
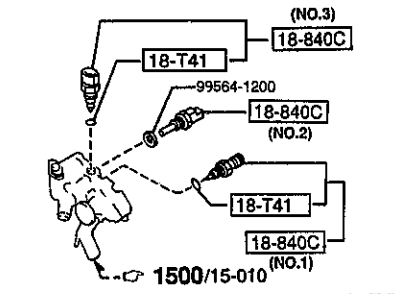
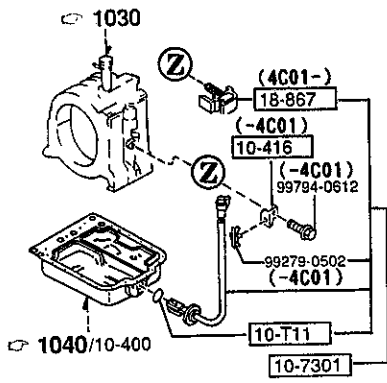
6600 -3 ENGINE SWITCHES & RELAYS

PART NO.	QTY	MODEL/RESTRICTION	MODEL/RESTRICTION	MODEL/RESTRICTION	FROM-TO
CONT'D					
N3A1-18-845	1				
18-861B		SENSOR, OXYGEN			
N3A1-18-861A	1				
18-866		CLIP			
E5A1-18-867	2				
18-867		CLIP			
BPE8-18-867A	1				4C01-
18-880A		MODULE, POWERTRAIN CO			
N3D8-18-881	1	NTROL (FED.) (MT)			
N3D9-18-881	1	(FED.) (AT)			
N3E1-18-881	1	(CALIF.) (MT)			
N3E2-18-881	1	(CALIF.) (AT)			
18-882		BRACKET, CONTROL UNIT			
N3A2-18-882	1				
18-883		BRACKET, CONTROL UNIT			
N3A2-18-883	1				
18-9E0		MODULE, PWT. CONT. -A/T			
N3A2-18-9E1B	1	(AT)			
18-920A		SENSOR, KNOCK			
N3A1-18-921	1				-5C26
A (N3A1-18-921A)					
*N3A1-18-921A	1				5C26-
19-444		SWITCH, INHIBITOR			
BV65-19-444A	1	(AT)			
19-838		BOLT-HEX, HD WASHER			
BV11-19-429	3	(AT)			
21-5H2		SENSOR, REVOLUTION			
4C01 FD333 -400022					
5C26 FD333 -400531					

AUFA06

CAT. AUFA06-04

1997-01



AUFA06

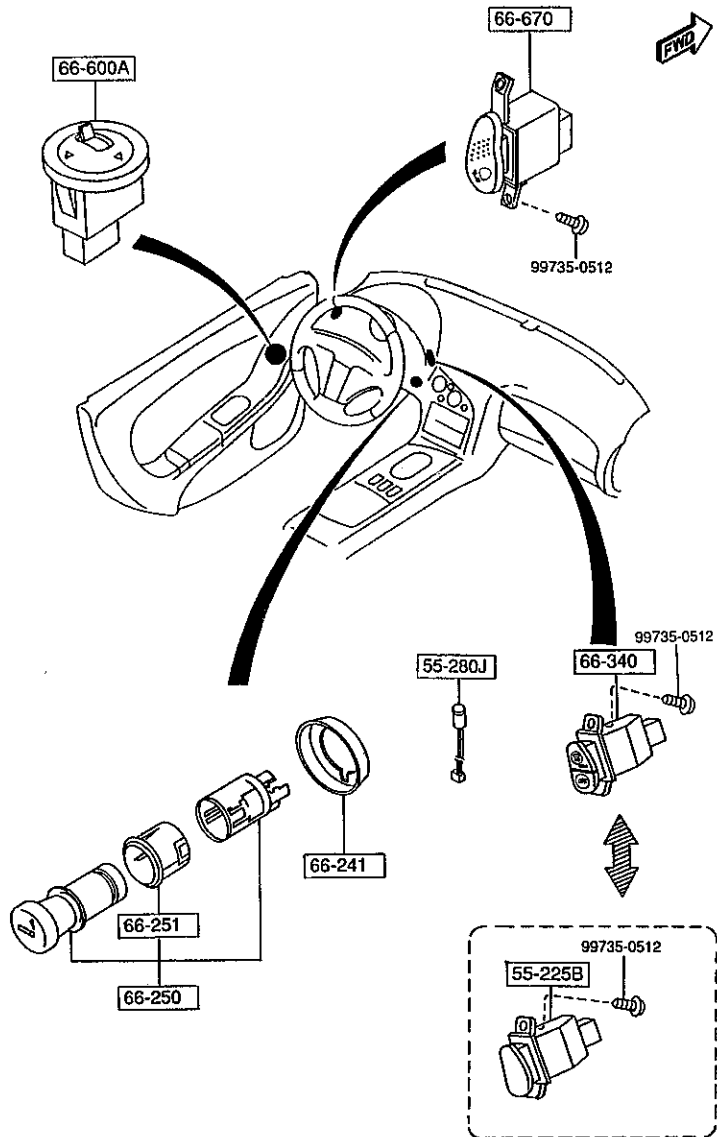
PART NO.	QTY	MODEL/RESTRICTION	MODEL/RESTRICTION	MODEL/RESTRICTION	FROM-TO
CONT'D BV65-21-5H2	1	(AT)			
21-571B		GENERATOR, SPEED PULS			
BV65-21-5H1	1	(AT)			

CAT. AUFA06-04

1997-01

6610 DASHBOARD SWITCHES

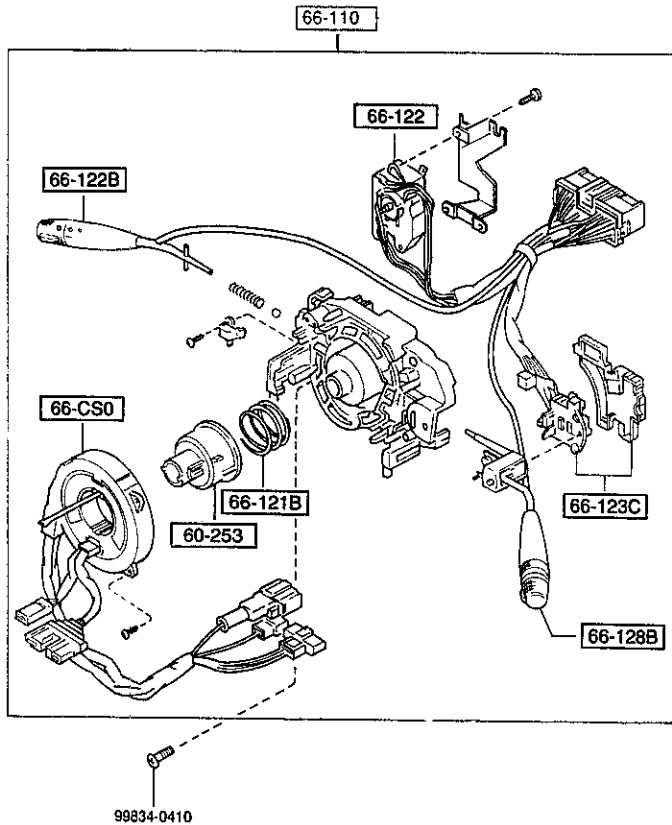
6610 -1 * DASHBOARD SWITCHES



PART NO.	QTY	MODEL/RESTRICTION	MODEL/RESTRICTION	MODEL/RESTRICTION	FROM-TO
55-225B		COVER, HOLE			
FD03-55-225	1	(HARD SUSP)			
00		BLACK			
55-280J		BULB			
B456-60-223	1				
66-241		PROTECTOR			
FD01-66-241	1				
66-250		LIGHTER, CIGAR			
P100-66-250	1				
66-251		RING, ILLUMINATION			
UB40-66-251	1				
66-340		SWITCH, MAIN			
FD01-66-340	1	(NOR. SUSP)			
66-600A		SWITCH, RMT. MIRROR			
FD01-66-600A	1				
66-670		SWITCH, RETRACTOR			
FD01-66-670	1				

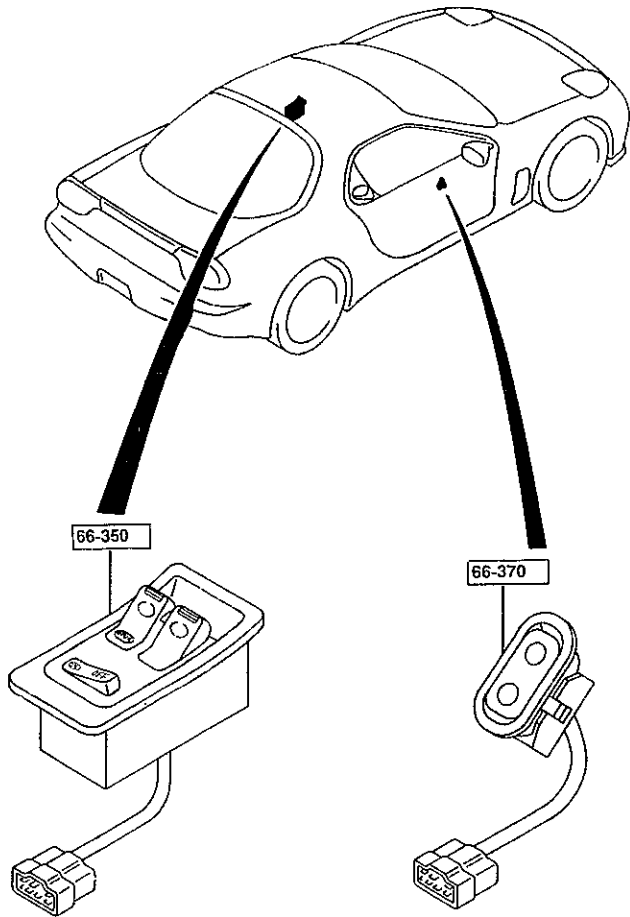
6611 COMBINATION SWITCH

6611 -1 * COMBINATION SWITCH



PART NO.	QTY	MODEL/RESTRICTION	MODEL/RESTRICTION	MODEL/RESTRICTION	FROM-TO
60-253		CAM,CANCEL			
*GB6H-66-126	1				
66-CS0		SPRING,CLOCK			
*FD04-66-CS0	1				
66-110		SWITCH,COMBINATION			
FD01-66-120E	1	(W/O SUN ROOF) (W/STEEL SUN ROOF)			
FD04-66-120D	1	(W/GLASS SUN ROOF)			
66-121B		SPRING,CANCEL CAM			
*H384-66-121	1				
66-122		SWITCH,DIMMER			
*FD04-66-136	1				
66-122B		SWITCH,LIGHT & TURN			
*FD04-66-122	1				
66-123C		UNIT,WIPER-COMB. SWITCH			
*FD04-66-135	1				
66-128B		LEVER,WIPER-COMB. SWITCH			
*FD01-66-128	1	(W/O SUN ROOF) (W/STEEL SUN ROOF)			
*FD04-66-128	1	(W/GLASS SUN ROOF)			

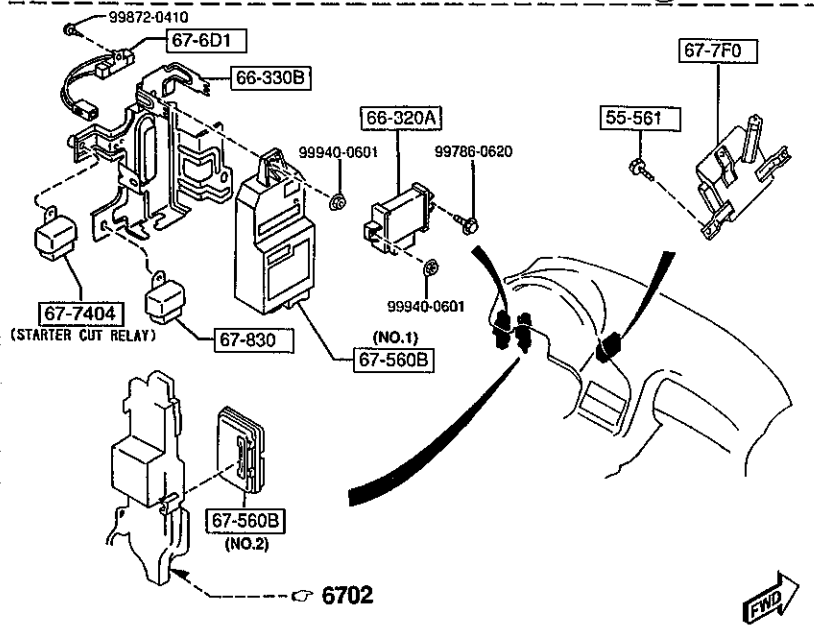
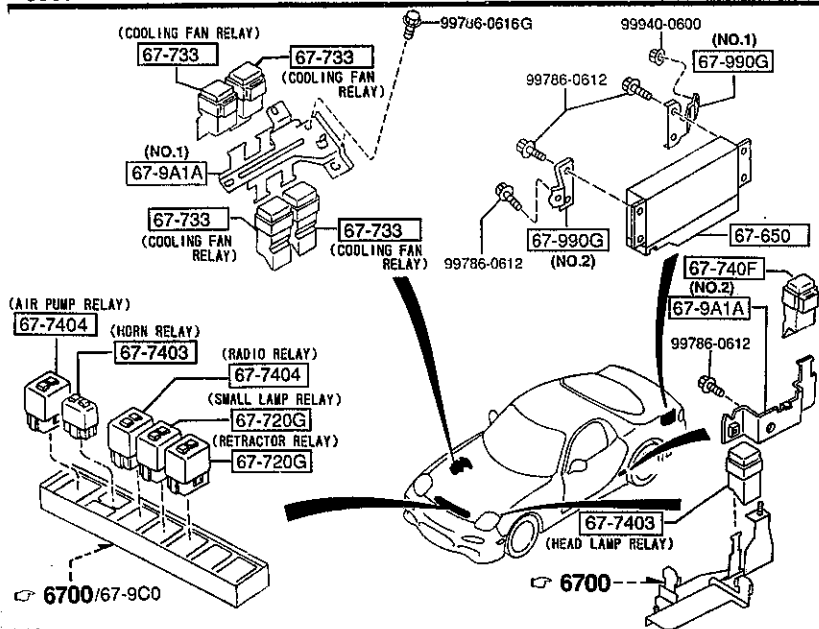
6615 POWER WINDOW SWITCHES



6615 -1 * POWER WINDOW SWITCHES

PART NO.	QTY	MODEL/RESTRICTION	MODEL/RESTRICTION	MODEL/RESTRICTION	FROM-TO
66-350 FD14-66-350C	1	SWITCH,POWER WINDOW			
66-370 FD01-66-370A	1	SWITCH,POWER WINDOW			

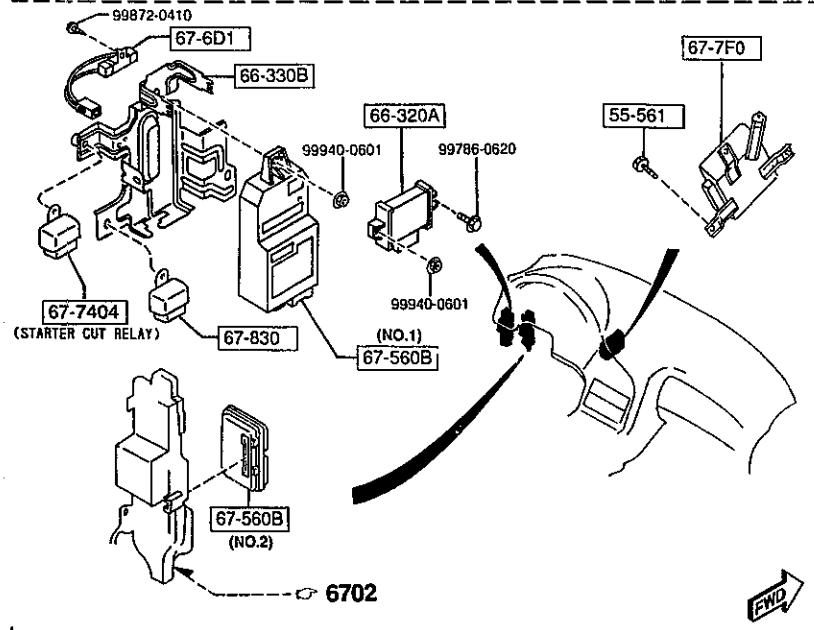
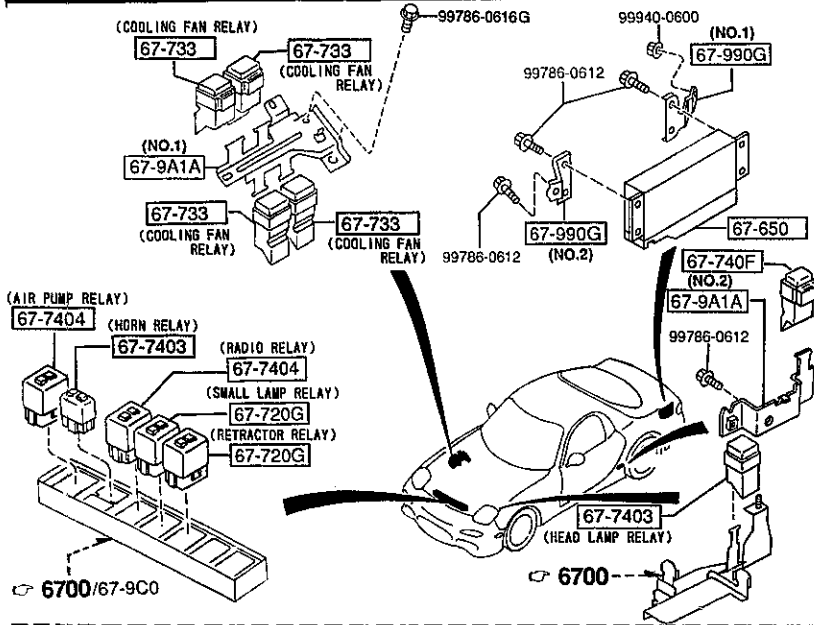
6630 BODY RELAYS & UNIT



PART NO.	QTY	MODEL/RESTRICTION	MODEL/RESTRICTION	MODEL/RESTRICTION	FROM-TO
55-561		BOLT, INST. PANEL			
B455-55-561	3				
66-320A		UNIT, A.C. CONTROL			
FD01-66-320A	1	(NOR. SUSP)			
66-330B		BRACKET, A.C.C. BOX			
FD01-67-BCXB	1				
67-560B		UNIT, CENTRAL PROCESSING			
FD01-67-560B	1	(ILLUST. NO.1) (W/O DAY RUNNING LAMP)			
FD01-67-580	1	(ILLUST. NO.2) (NT)			
FD02-67-580	1	(ILLUST. NO.2) (AT)			
67-6D1		RESISTOR, INTERLOCK			
M020-67-6D1	1	(AT)			
67-650		BOX, CONTROL-A.B.S.			
FD31-67-650	1				
67-7F0		UNIT, DIAGNOSIS-AIR BAG			
FD15-67-7F0	1				
FD15-67-7F0A	1				
67-720G		RELAY, TRANSFER			
KA52-67-720	2	(RETRACTOR RELAY) (SMALL LAMP RELAY)			
67-733		RELAY			
C001-67-730	4	(COOLING FAN RELAY)			
67-740F		CONTROL, COOLANT FAN			
H450-67-740	1	30A			
67-7403		RELAY, N.D.			
GE10-67-730	1	(HEAD LAMP RELAY)			
LA10-67-740	1	10A (HORN RELAY)			
5123 FD333 -400026					

-5123
5123-

6630 BODY RELAYS & UNIT



6630 -2 * BODY RELAYS & UNIT

PART NO.	QTY	MODEL/RESTRICTION	MODEL/RESTRICTION	MODEL/RESTRICTION	FROM-TO
67-7404	2	RELAY, TRANSFER (RADIO RELAY) (AIR PUMP RELAY)			
H302-67-740	1	20A (STARTER CUT RELAY)			
67-830	1	UNIT, DOOR LOCK & TIMER			
FC33-67-830	1				
67-9A1A	1	BRACKET, RELAY			
FD01-67-9B1B	1	(ILLUST. NO.1)			
F100-67-9C1A	1	(ILLUST. NO.2)			
67-990G	1	BRACKET, A. B. S.			
FD31-67-B5XA	1	(ILLUST. NO.1)			
FD31-67-B5Y	1	(ILLUST. NO.2)			

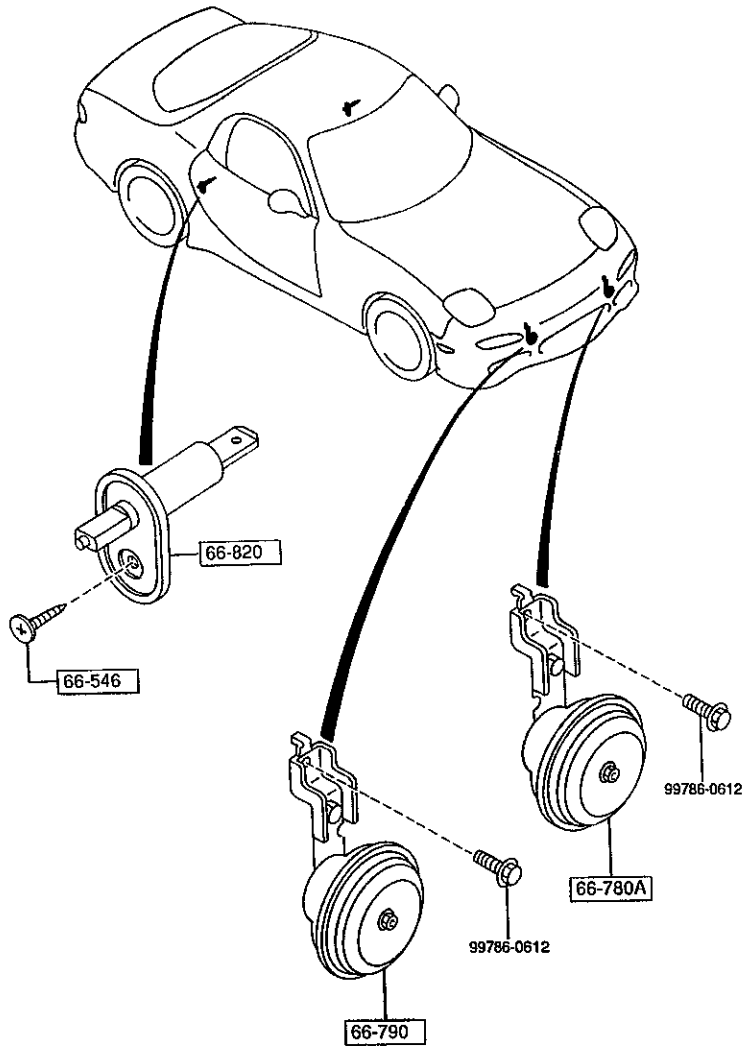
AUFA06

CAT. AUFA06-04

1997-01

6635 DOOR SWITCH & HORNS

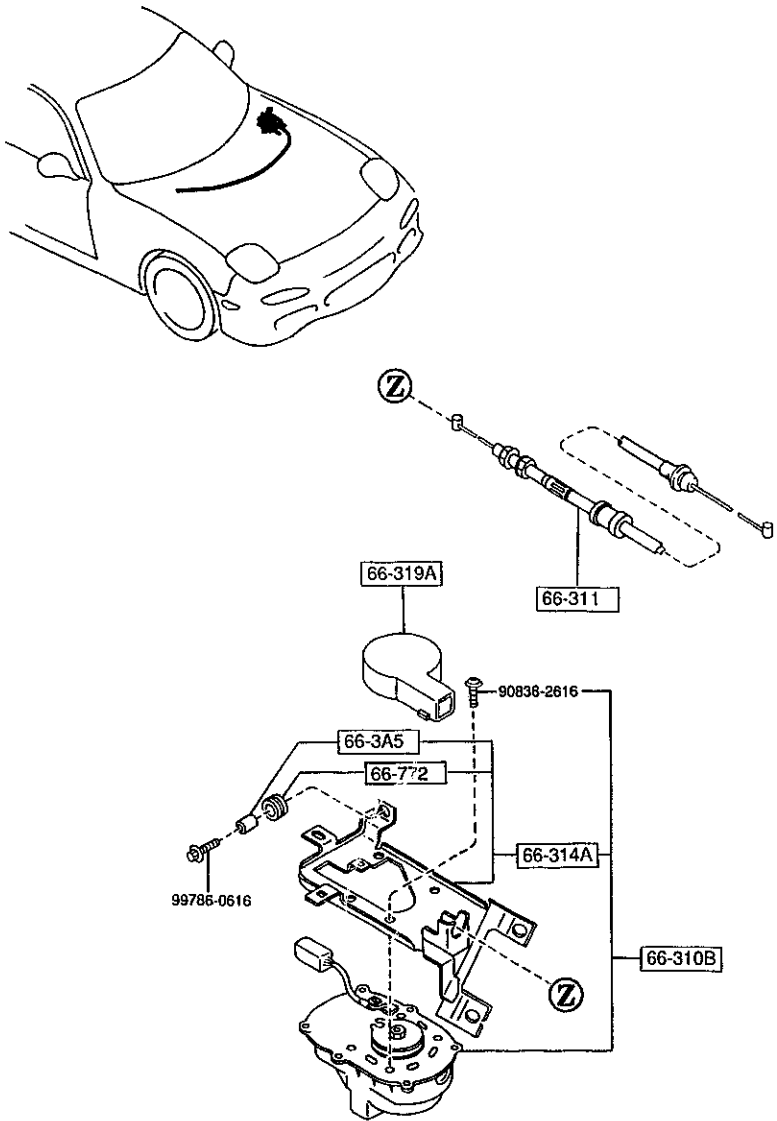
6635 -1 * DOOR SWITCH & HORNS



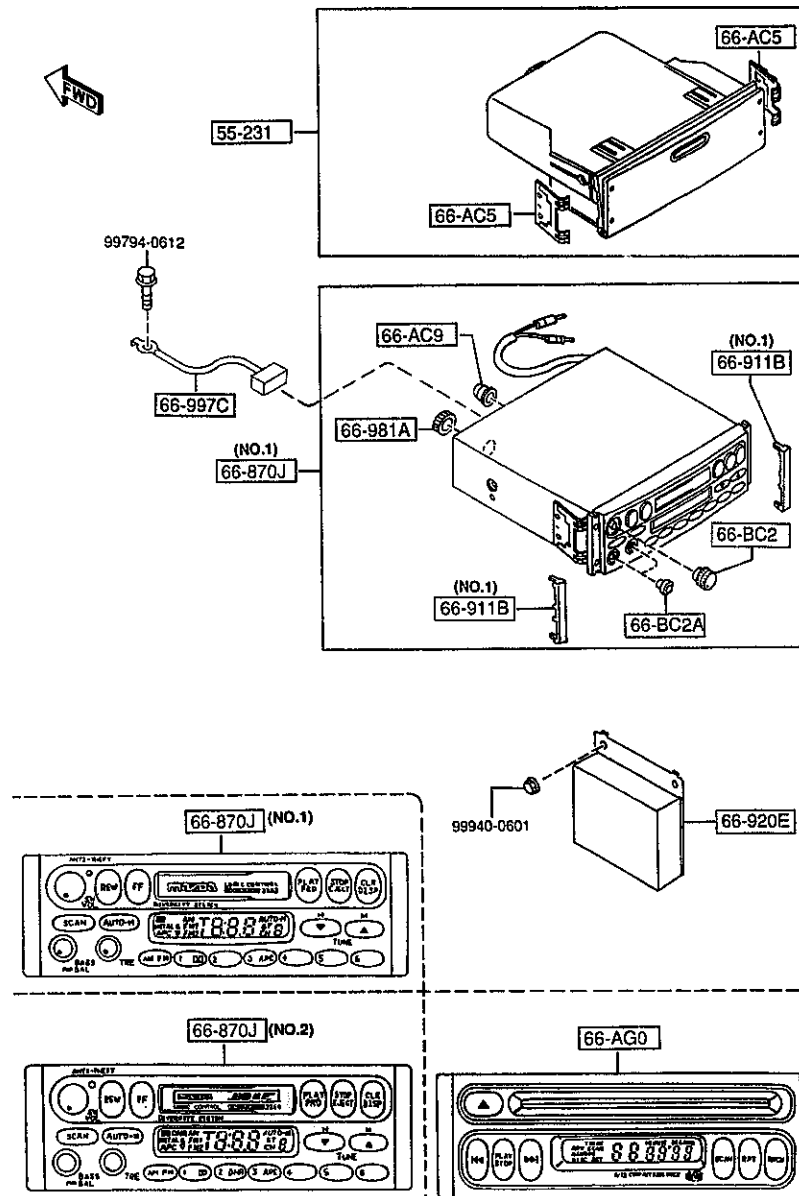
PART NO.	QTY	MODEL/RESTRICTION	MODEL/RESTRICTION	MODEL/RESTRICTION	FROM-TO
66-546		SCREW,DOOR SWITCH			
LA01-66-546	2				
66-780A		HORN,HIGH TONE			
F100-66-780A	1				-4A01
A (F100-66-780B)					4A01-
F100-66-780B	1				
66-790		HORN,LOW TONE			
FD01-66-790A	1				-4A01
A (FD01-66-790B)					4A01-
FD01-66-790B	1				
66-820		SWITCH,DOOR			
B455-66-540	2				
4A01 FD333 -400014					

6640 AUTO CRUISE CONTROL SYSTEM

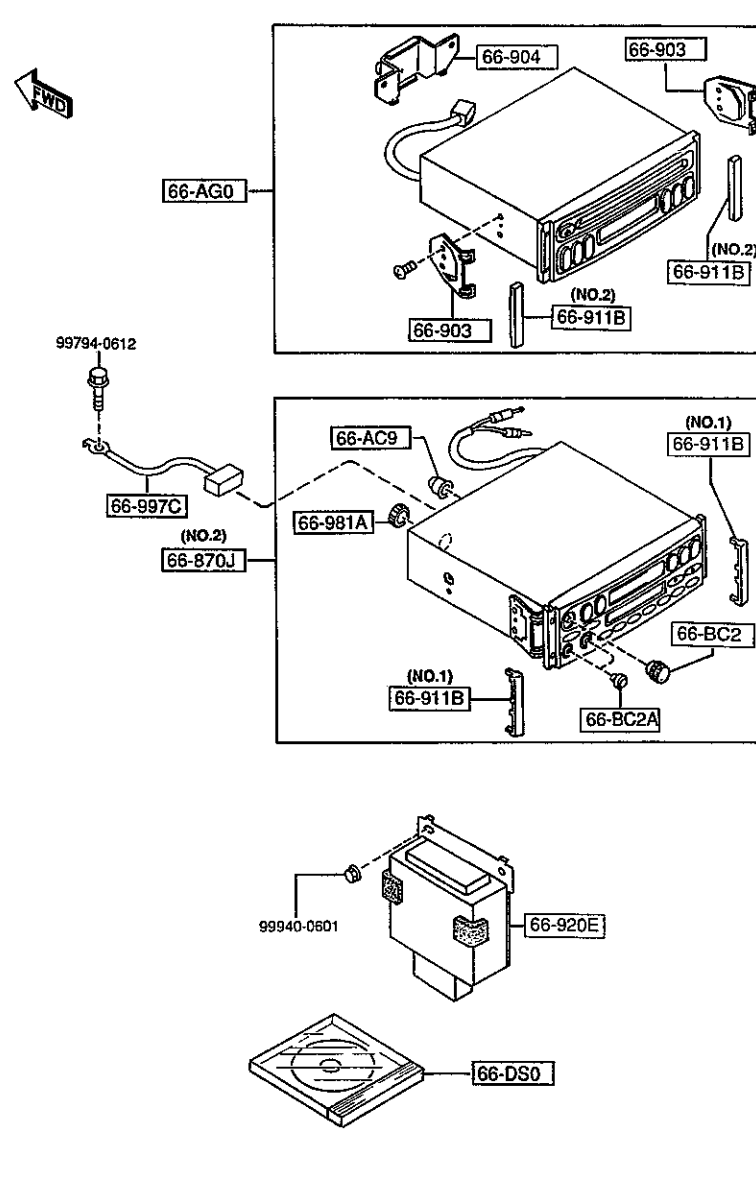
6640 -1 * AUTO CRUISE CONTROL SYSTEM



PART NO.	QTY	MODEL/RESTRICTION	MODEL/RESTRICTION	MODEL/RESTRICTION	FROM-TO
66-3A5		SPACER,ACTUATOR			
UE54-66-3A5	3				
66-310B		ACTUATOR,A.C.C.			
FD01-66-310C	1				
66-311		WIRE,A.C.C.			
FD01-66-311B	1				
66-314A		BRACKET,A.C.C.			
FD02-66-3AXC	1				
66-319A		COVER,ACTUATOR			
GN55-66-319D	1				
66-772		GROMMET			
UE54-66-3A4	3				



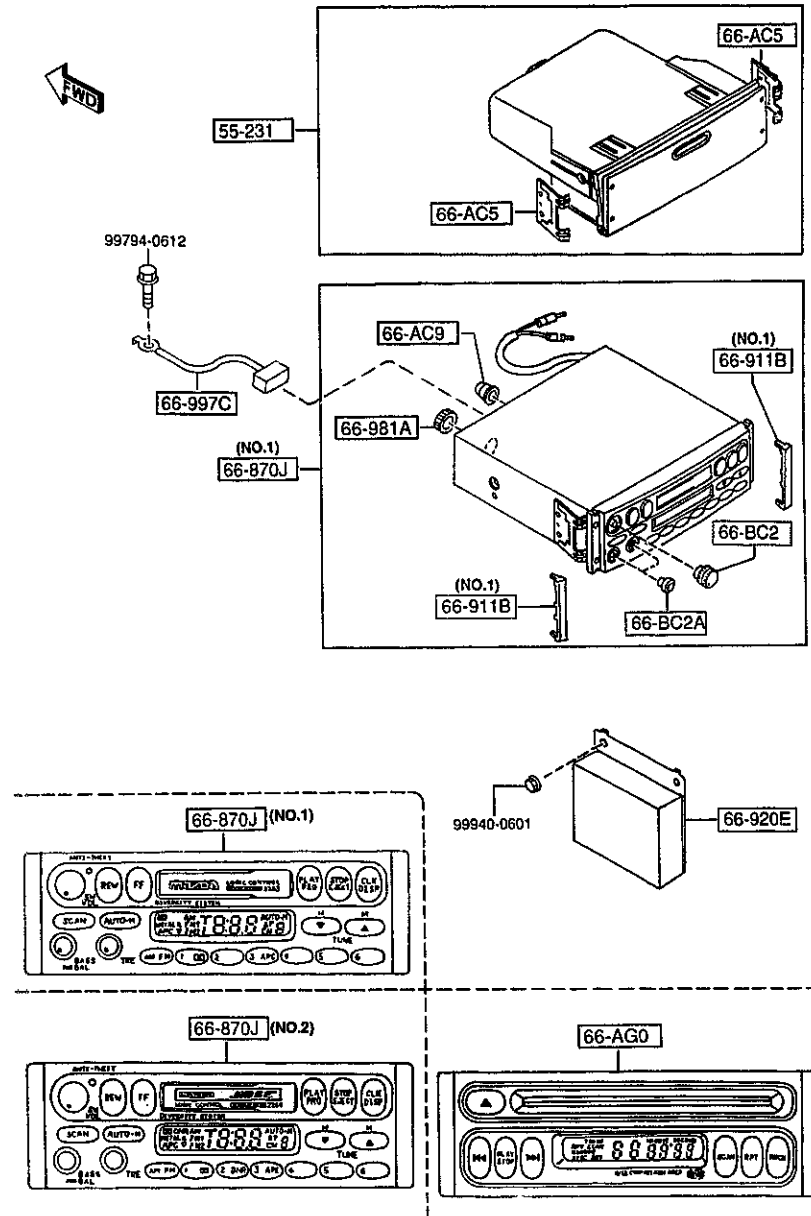
AUFA06



AUFA06

6680 AUDIO SYSTEMS (RADIO & TAPE DECK)
(W/O C. D. PLAYER)

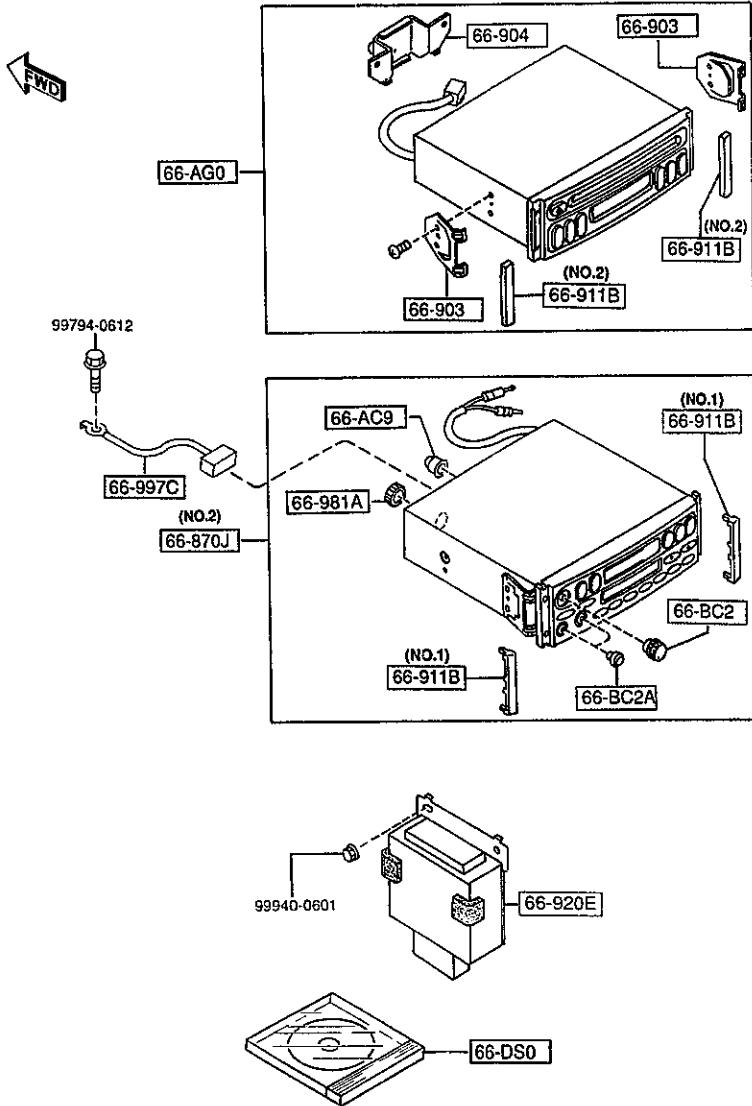
(1/2)



PART NO.	QTY	MODEL/RESTRICTION	MODEL/RESTRICTION	MODEL/RESTRICTION	FROM-TO
55-231		ORNAMENT, STEREO			
FD01-66-9M0D	1	(W/O C. D. PLAYER)			
66-AC5		SPRING, AUDIO			
E016-66-AC5	2	(W/O C. D. PLAYER)			
66-AC9		RUBBER, REAR-ET/ED CD MBI.			
FD01-66-AC9	1				
66-AG0		PLAYER, COMPACT DISC			
FD04-66-9G0B	1	(W/C. D. PLAYER)			
66-BC2		KNOB, VOLUME-TUNER & DECK			
FD01-66-BC1	1				
66-BC2A		KNOB, BASS/TREBLE			
FD01-66-BC2	2				
66-DS0		CD SOFT			
F105-66-DS0	1	(W/C. D. PLAYER)			
66-870J		AUDIO SET			
FD01-66-9C0B	1	(ILLUST. NO.1) (W/O C. D. PLAYER)			
FD04-66-9C0B	1	(ILLUST. NO.2) (W/C. D. PLAYER)			
66-903		BRACKET, TUNER			
FD04-66-AW1	2	PANASONIC (W/C. D. PLAYER)			
66-904		BRACKET, REAR			
FD04-66-AW6	1	(W/C. D. PLAYER)			
66-911B		COVER, HOLE			
FD01-66-BC4	2	(ILLUST. NO.1)			
FD04-66-BC4	2	(ILLUST. NO.2) (W/C. D. PLAYER)			
66-920E		AMP, POWER-FRONT			
FD01-66-920A	1	(W/O C. D. PLAYER)			
FD04-66-920A	1	(W/C. D. PLAYER)			

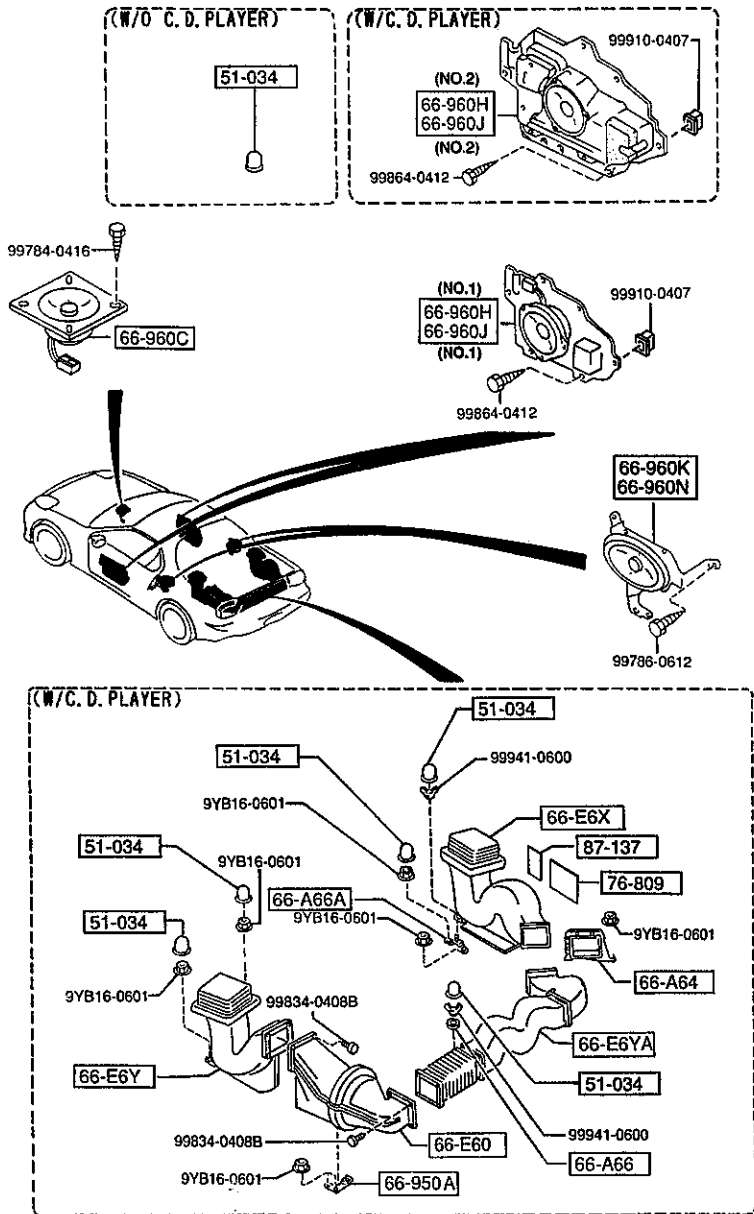
6680 AUDIO SYSTEMS (RADIO & TAPE DECK)
 (W/C. D. PLAYER)

(2/2)

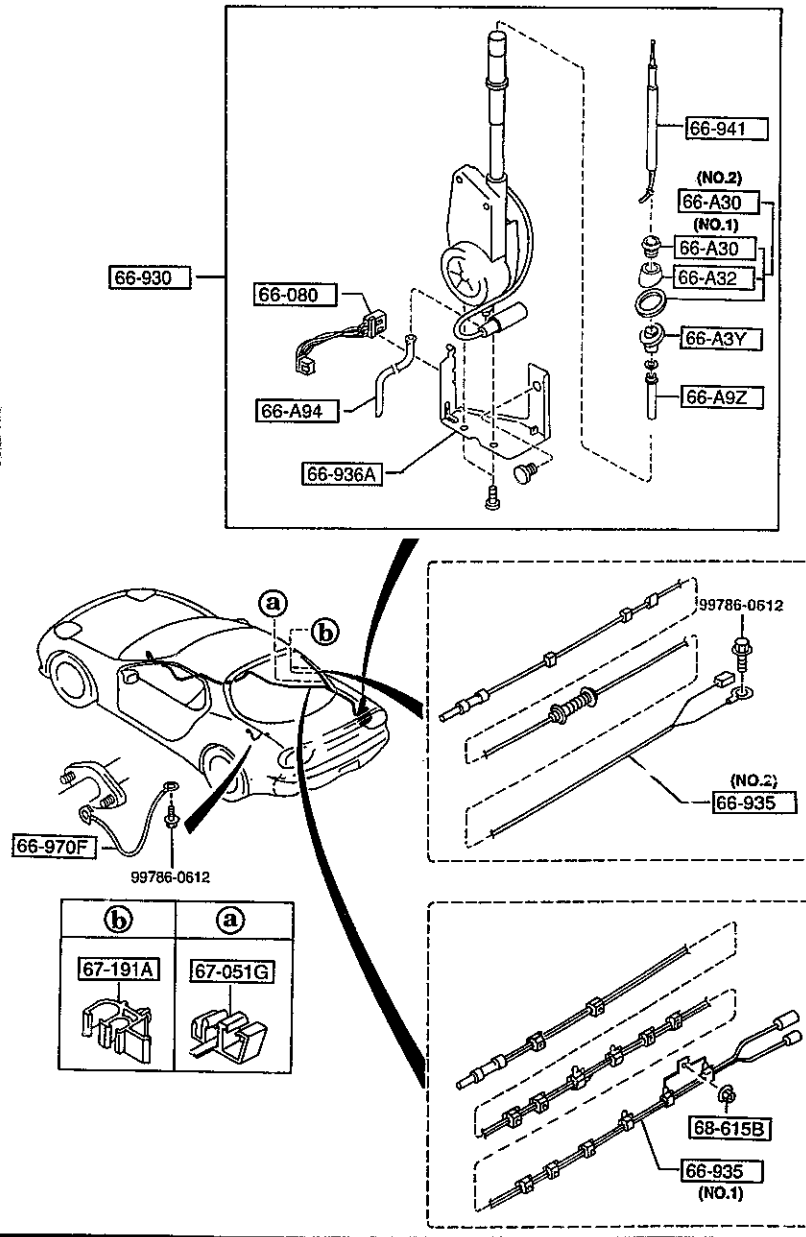


6680 -2 * AUDIO SYSTEMS (RADIO & TAPE DECK)

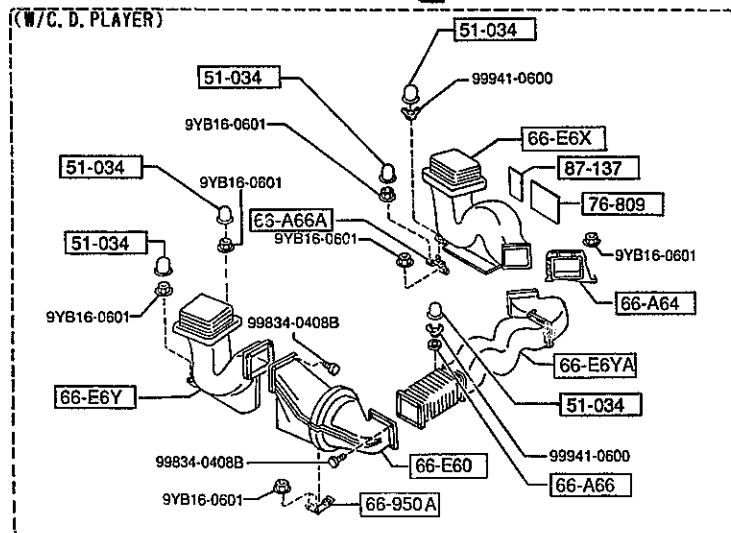
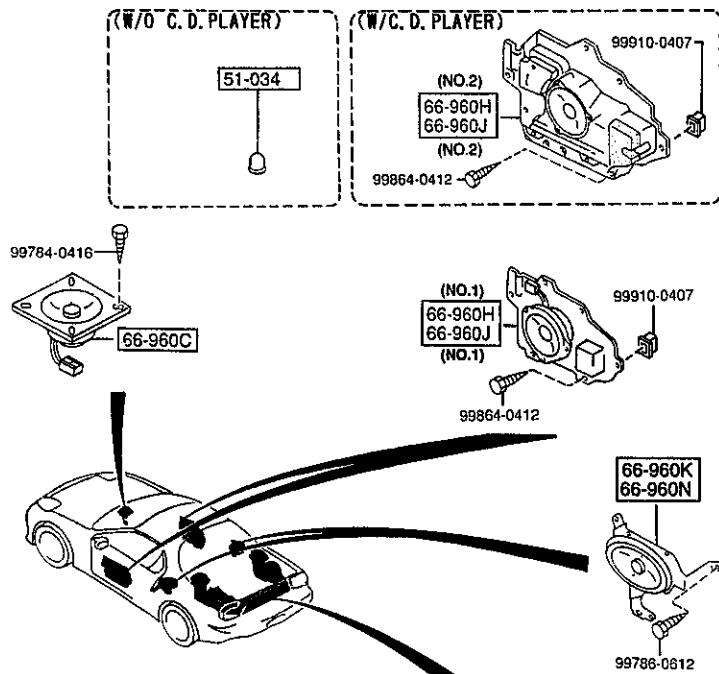
PART NO.	QTY	MODEL/RESTRICTION	MODEL/RESTRICTION	MODEL/RESTRICTION	FROM-TO
66-981A		CONNECTOR, SHORT			
FD01-66-BC9	1				
66-997C		CORD, EARTH-RADIO			
FD02-66-997A	1				



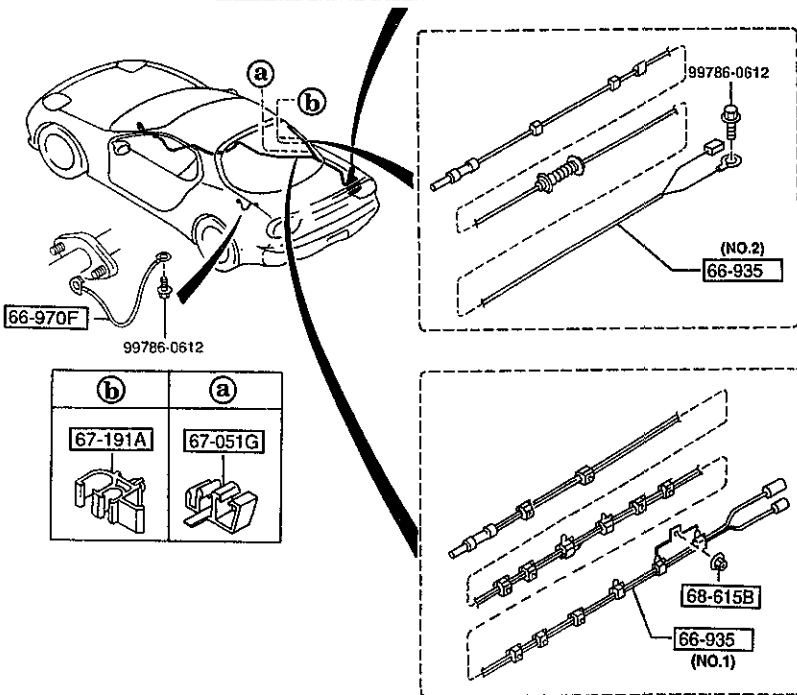
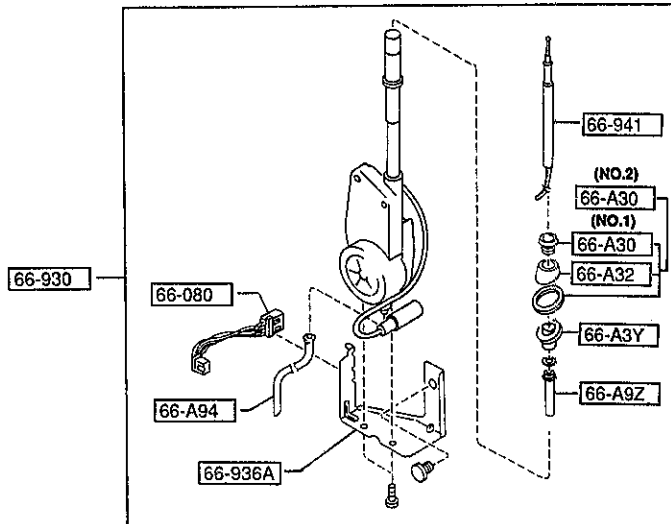
AUFA06



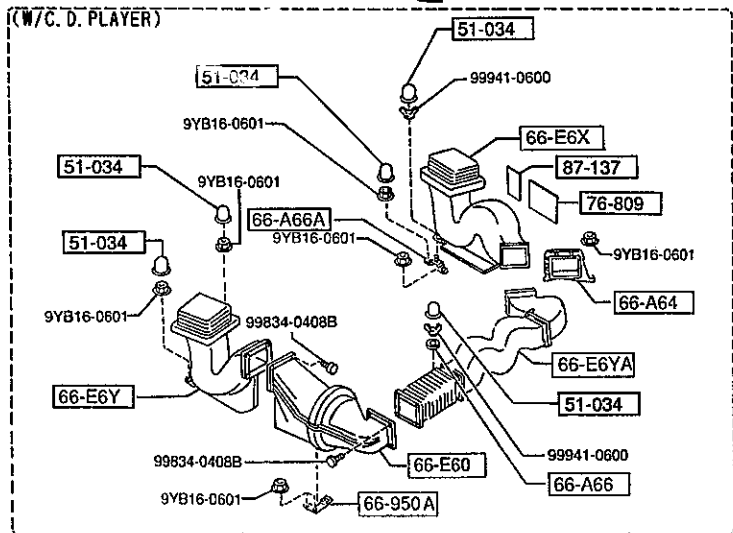
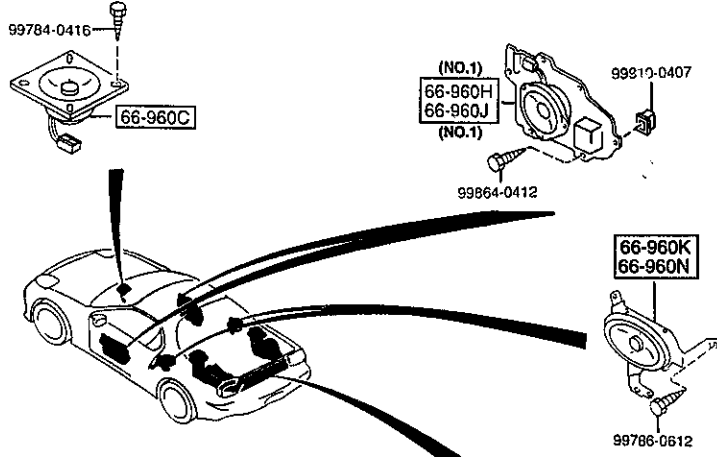
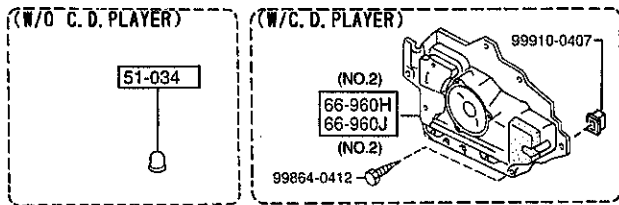
AUFA06



PART NO.	QTY	MODEL/RESTRICTION	MODEL/RESTRICTION	MODEL/RESTRICTION	FROM-TO
51-034		CAP			
H380-51-013	5	(W/C. D. PLAYER)			
H380-51-013	8	(W/O C. D. PLAYER)			
66-A3Y		PLATE, EARTH-MOTOR ANTENNA			
FD01-66-A3Z	1				
66-A30		NUT, MOUNTING-ANTENNA			
FD01-66-A9Y	1	(ILLUST. NO. 2)			-5206
M001-66-A31	1	(ILLUST. NO. 1)			5206-
FD02-66-A9Y	1	(ILLUST. NO. 2)			5206-
66-A32		RING, 'O'-MOUNTING ANTENNA			
FD02-66-A32	1				5206-
66-A64		BRKT, JOINT-SPEAKER DUCT			
FD10-66-A64A	1	(W/C. D. PLAYER)			
66-A66		WASHER, SPEAKER			
FD09-66-A66	1	(W/C. D. PLAYER)			
66-A66A		BRACKET, DUCT SPEAKER			
FD10-66-A66	1	(W/C. D. PLAYER)			
66-A9Z		INSULATOR, ROD-ANTENNA			
FD01-66-A9Z	1				
66-A94		PIPE, DRAIN-ANTENNA			
FD01-66-A90	1				
66-E6X		DUCT 'A', REAR SPEAKER			
FD10-66-E6XC	1	(W/C. D. PLAYER)			
66-E6Y		DUCT 'B', RR SPEAKER			
FD10-66-E6ZC	1	(W/C. D. PLAYER)			
66-E6YA		DUCT 'C', RR SPEAKER			
FD10-66-E6YC	1	(W/C. D. PLAYER)			
66-E60		SPEAKER, REAR			
5206 FD333 -400026					



PART NO.	QTY	MODEL/RESTRICTION	MODEL/RESTRICTION	MODEL/RESTRICTION	FROM-TO
CONT'D					
FD10-66-960B	1	(W/C.D. PLAYER)			
----- 66-080 -----		CORD			
FD01-66-D10	1				
----- 66-930 -----		ANTENNA,RADIO			
FD01-66-930B	1				
----- 66-935 -----		FEEDER-ANTENNA			
FD01-66-940B	1	(ILLUST. NO.1)			
FD02-66-940C A (FD02-66-940D)	1	(ILLUST. NO.2)			-5C26
*FD02-66-940D	1	(ILLUST. NO.2)			5C26-
----- 66-936A -----		BRKT,MOTOR-ANTENNA			
FD01-66-A9X	1				
----- 66-941 -----		POLE,ANTENNA			
FD01-66-A3X	1				
----- 66-950A -----		BRACKET(L),SPEAKER			
FD10-66-A65A	1	(W/C.D. PLAYER)			
----- 66-960C -----		SPEAKER,FRONT			
FD01-66-960A	1	(W/O C.D. PLAYER)			
FD04-66-960A	1	(W/C.D. PLAYER)			
----- 66-960H -----		SPEAKER(R),LOUD-DOOR			
FD09-66-960C	1	(ILLUST. NO.2) (W/C.D. PLAYER)			
FD15-66-96X AN(FD02-66-96XF)	1	(ILLUST. NO.1) (W/O C.D. PLAYER)			-5501
FD02-66-96XF	1	(ILLUST. NO.1) (W/O C.D. PLAYER)			5501-
----- 66-960J -----		SPEAKER(L),LOUD-DOOR			
FD08-66-960C	1	(ILLUST. NO.2) (W/C.D. PLAYER)			
FD15-66-96Y	1	(ILLUST. NO.1) (W/O C.D. PLAYER)			-5501
FD02-66-96YF	1	(ILLUST. NO.1) (W/O C.D. PLAYER)			5501-
5501 FD333 -400229					
5C26 FD333 -400531					



AUFA06

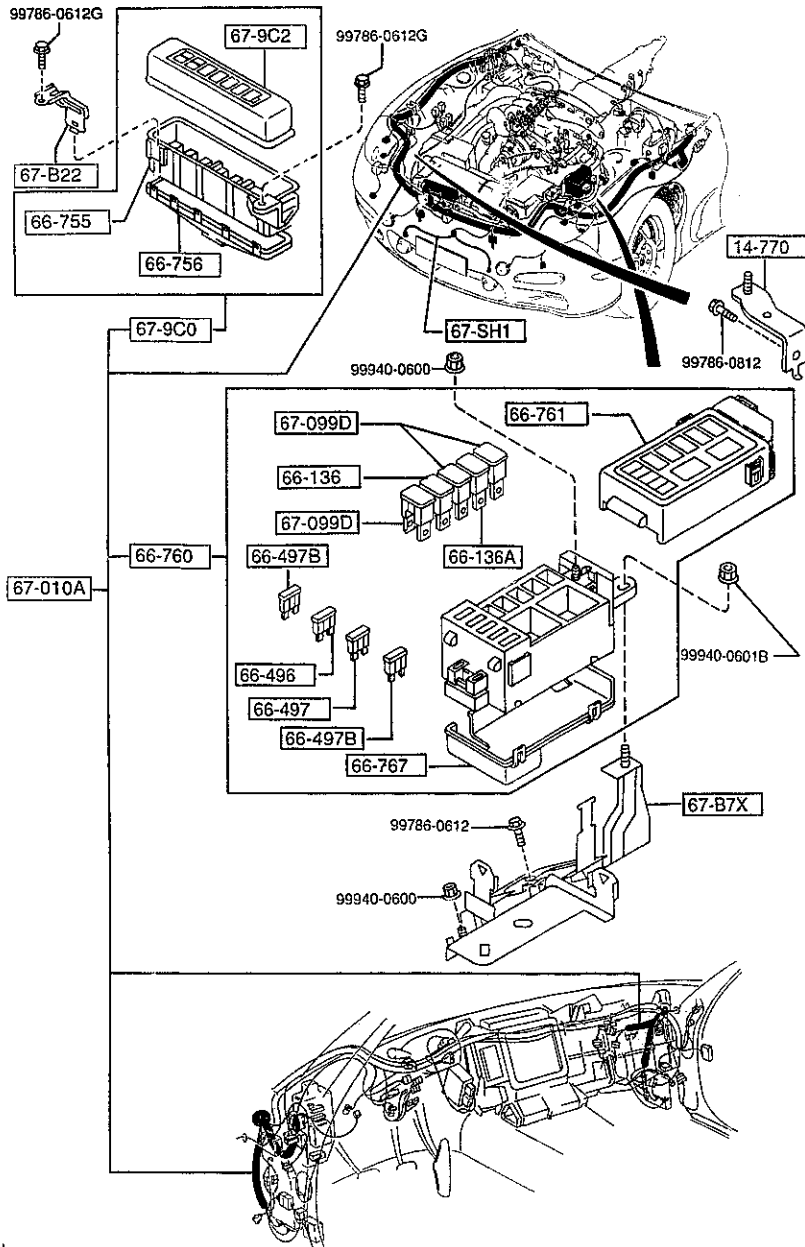
PART NO.	QTY	MODEL/RESTRICTION	MODEL/RESTRICTION	MODEL/RESTRICTION	FROM-TO
66-960K		SPEAKER(R), LOUD-RR			
FD17-66-96X	1	(W/O C. D. PLAYER)			-5616
FD06-66-96XA	1	(W/O C. D. PLAYER)			5616-
66-960N		SPEAKER(L), REAR			
FD17-66-96Y	1	(W/O C. D. PLAYER)			-5616
FD06-66-96YA	1	(W/O C. D. PLAYER)			5616-
66-970F		CORD, EARTH			
FD01-66-997A	1				
67-0516		CLIP			
B093-67-051	1				
67-191A		CLIP			
B467-67-CE1	2				
68-615B		NUT, FLANGE-CAP			
B100-68-615	1				
76-809		FELT			
FD08-66-EG5A	1	(W/C. D. PLAYER)			
87-137		FELT			
FD11-66-EG5	2	(W/C. D. PLAYER)			
5616 FD333 -400230					

CAT. AUFA06-04

1997-01

6700 FRONT & REAR WIRING HARNESSSES

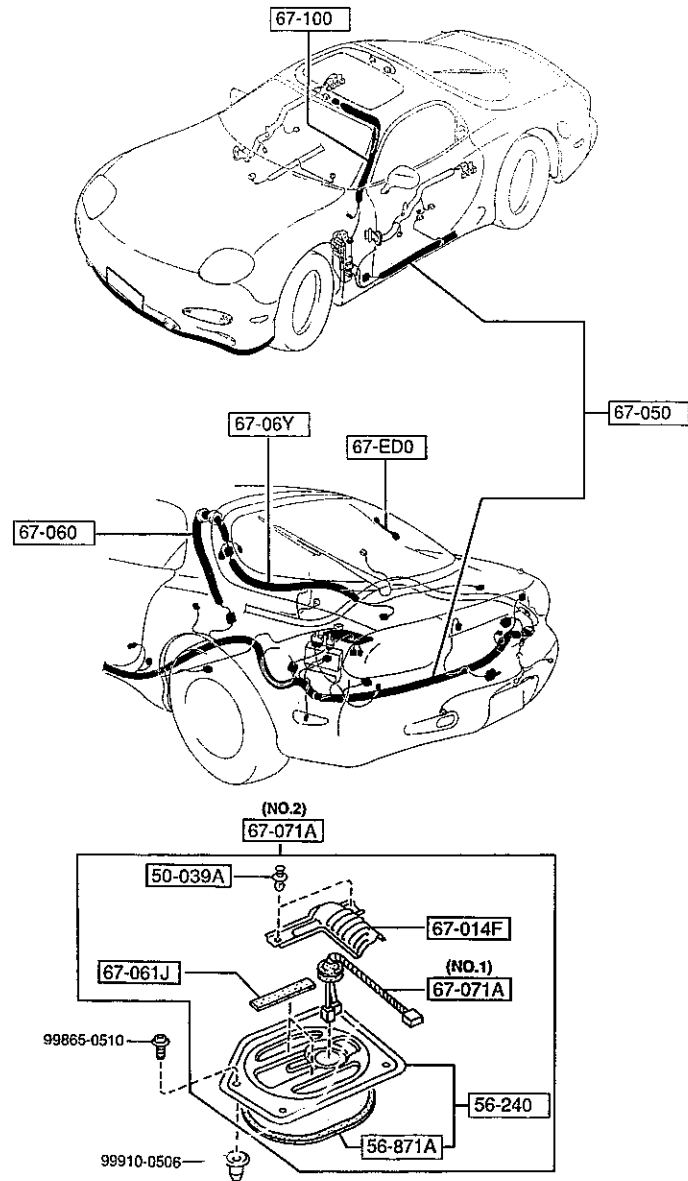
(1/2)



AUFA06

6700 FRONT & REAR WIRING HARNESSSES

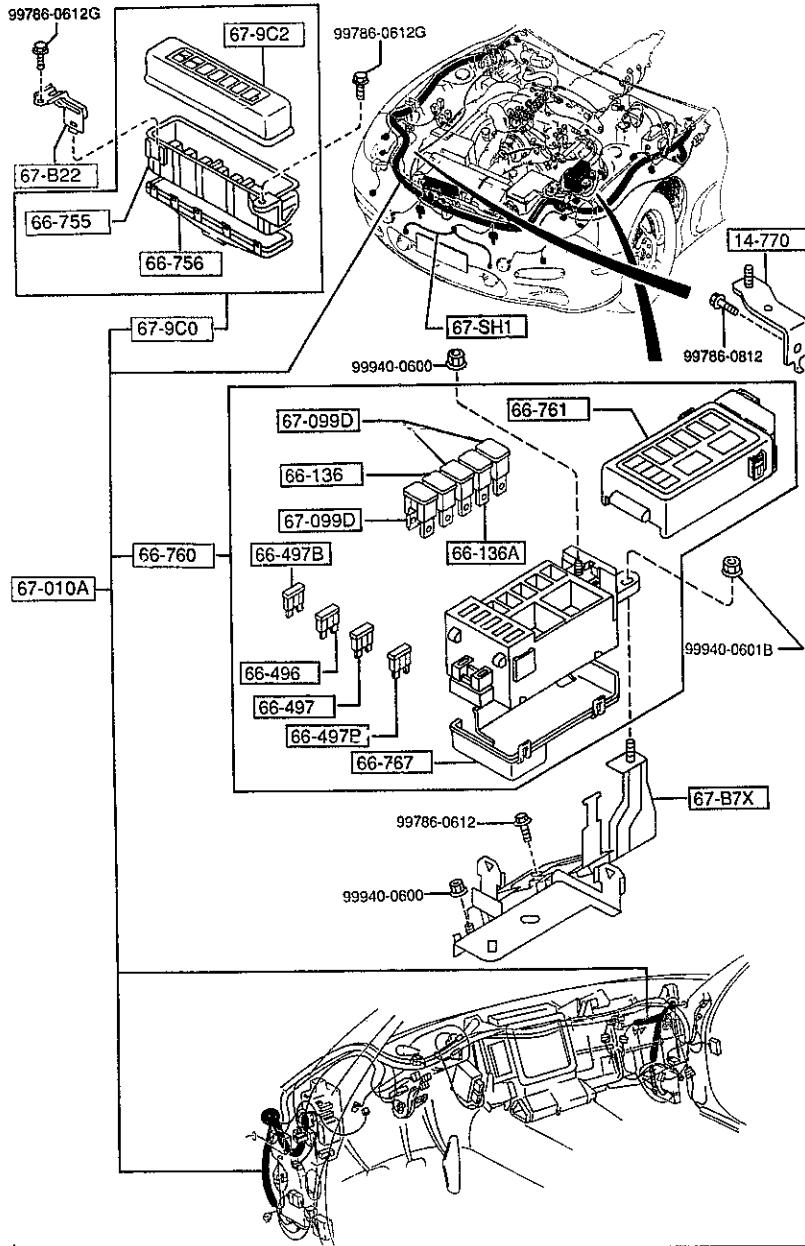
(2/2)



AUFA06

6700 FRONT & REAR WIRING HARNESSSES

(1/2)



6700 -1 FRONT & REAR WIRING HARNESSSES

PART NO.	QTY	MODEL/RESTRICTION	MODEL/RESTRICTION	MODEL/RESTRICTION	FROM-TO
14-770 N3A2-14-770B	1	BRACKET,OIL COOLER (MT)>(NOR. SUSP)			
50-039A F100-67-CH1	2	CLIP,PROTECTOR			
56-240 FD01-56-06XA	1	COVER			
56-071A FD01-56-06Z	1	RUBBER,SEAL			
66-136 H115-67-099	1	FUSE (30A)			
66-136A H116-67-099	1	FUSE (40A)			
66-496 99705-1115	1	FUSE (15A)			
66-497 99705-1120	1	FUSE (20A)			
66-497B 99705-1130	1	FUSE (30A)			
66-755 FD01-66-755C	1	CASE,RELAY BOX			
66-756 FD01-66-756	1	COVER,UNDER-RELAY BOX			
66-760 FD31-66-760	1	BLOCK,MAIN FUSE			
66-761 FD31-66-761	1	COVER,MAIN FUSE BLOCK			
66-767 FD01-66-767	2	COVER,UNDER-MAIN FUSE BLK			

AUFA06

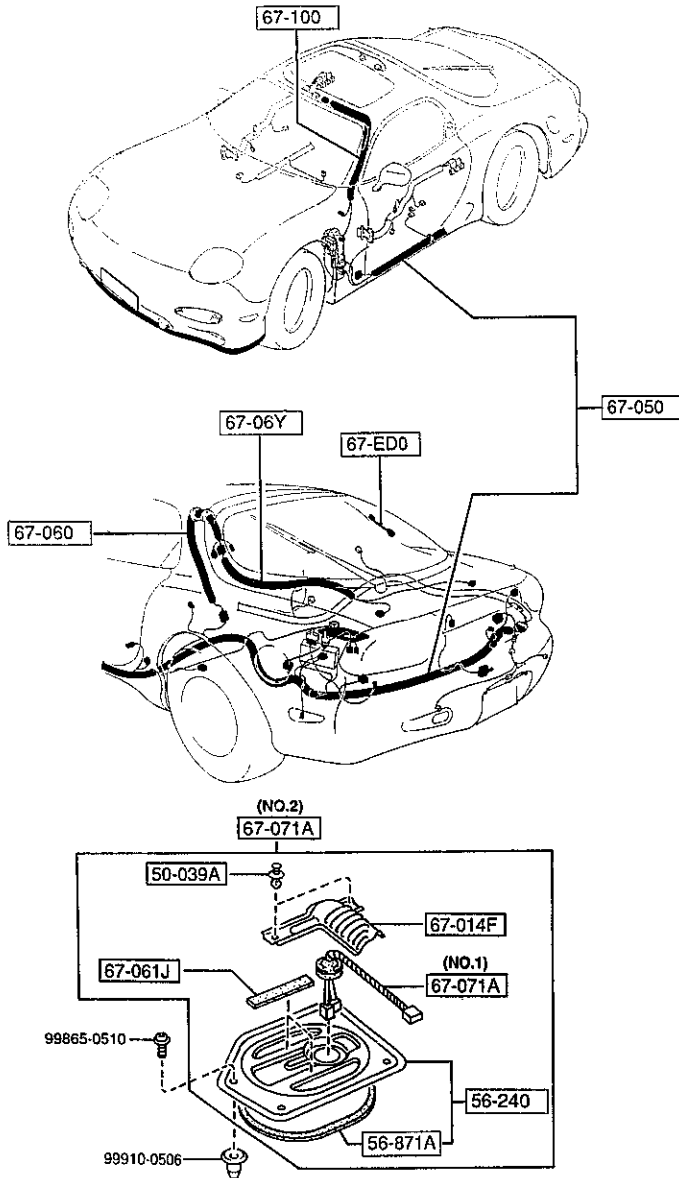
CAT. AUFA06-04

1997-01

6700 FRONT & REAR WIRING HARNESSSES

(2/2)

6700 -2 FRONT & REAR WIRING HARNESSSES



PART NO.	QTY	MODEL/RESTRICTION	MODEL/RESTRICTION	MODEL/RESTRICTION	FROM-TO
67-B22		BRACKET, HARNESS			
FD01-67-B12	1				
67-B7X		BRACKET, HARNESS			
FD05-67-B7XE	1				
67-EDD		WIRE, EARTH-REAR DEFF OGER			
FD01-67-ED0A	1				
67-SH1		CORD, SHORT			
F100-67-SH0D	1	(W/STEEL SUN ROOF) (W/GLASS SUN ROOF)			
67-010A		HARNESS, FRONT			
FD31-67-010B A (FD31-67-010D)	1	(MT)			-5418
FD33-67-010B A (FD33-67-010D)	1	(AT)			-5418
FD31-67-010D	1	(MT)			5418-
FD33-67-010D	1	(AT)			5418-
67-014F		PROTECTOR, HARNESS			
F100-67-PS1	1				
67-050		HARNESS, REAR			
FD31-67-050A	1	(W/O SUN ROOF) (W/STEEL SUN ROOF)			
FD34-67-050A	1	(W/GLASS SUN ROOF)			
67-06Y		HARNESS NO.3, REAR			
FD01-67-06YE	1	(W/O SUN ROOF) (W/STEEL SUN ROOF)			
FD04-67-06VF	1	(W/GLASS SUN ROOF)			
67-060		HARNESS NO.2, REAR			
FD01-67-060E	1	(W/O SUN ROOF) (W/STEEL SUN ROOF)			
FD04-67-060D	1	(W/GLASS SUN ROOF)			
67-061J		PAD, PROTECTOR-HARNES			
F100-67-PP1	2				
5418 FD333 -400030					

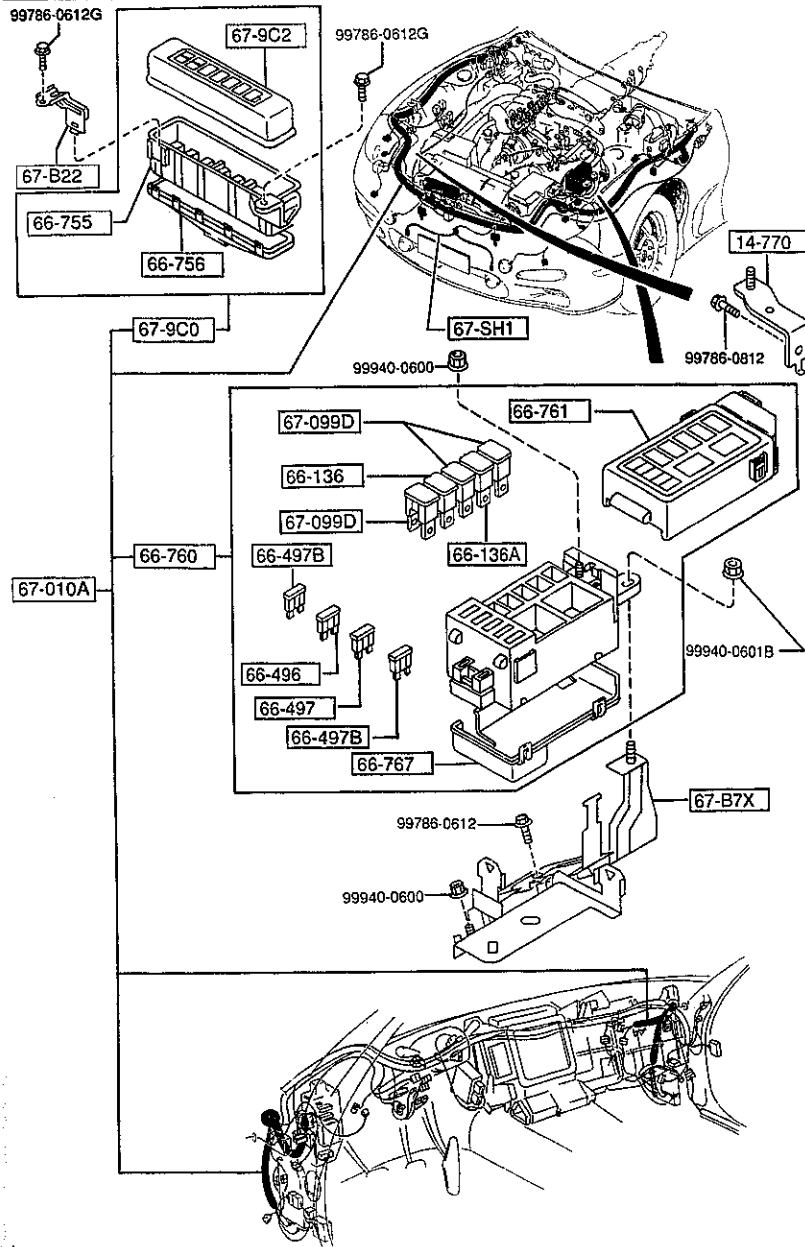
AUFA06

CAT. AUFA06-04

1997-01

6700 FRONT & REAR WIRING HARNESSSES

(1/2)



6700 -3 * FRONT & REAR WIRING HARNESSSES

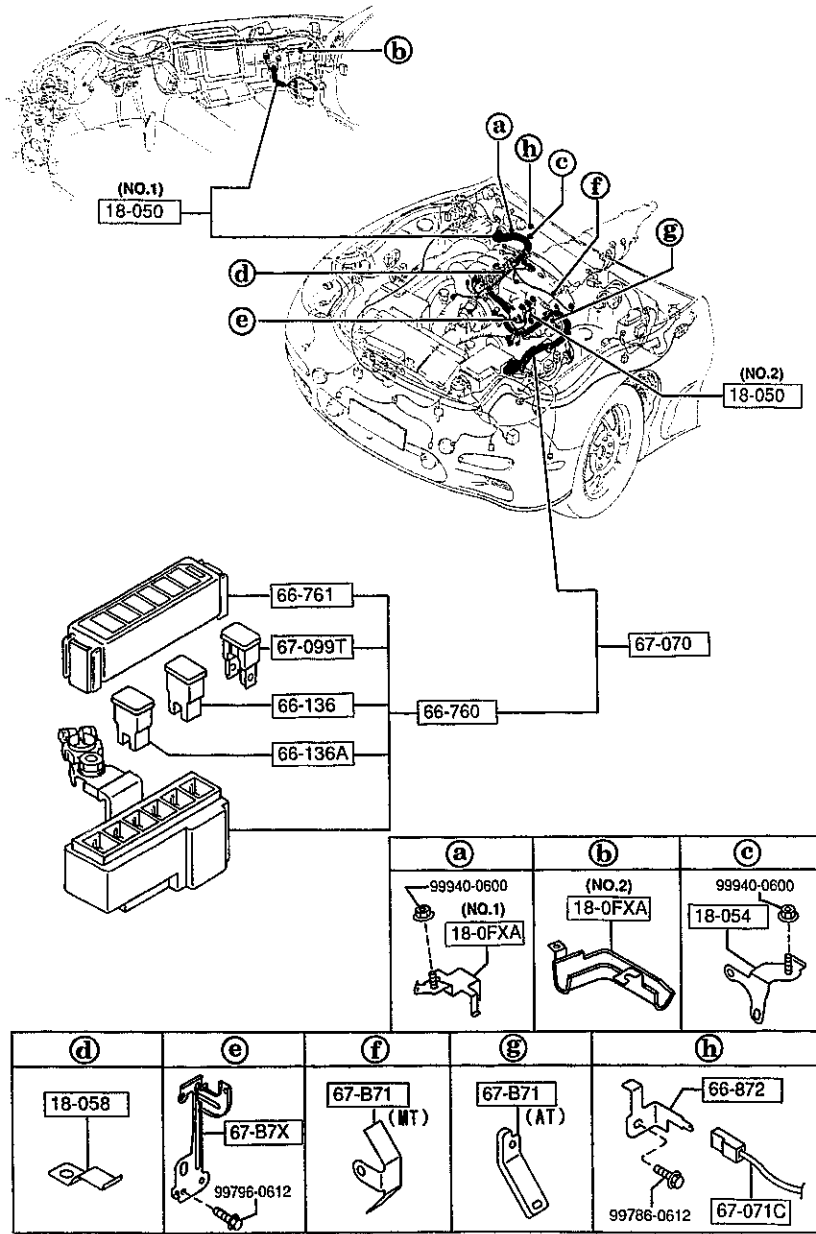
PART NO.	QTY	MODEL/RESTRICTION	MODEL/RESTRICTION	MODEL/RESTRICTION	FROM-TO
67-071A		CORD			
F100-67-071F	1	(ILLUST. NO.1)			
F100-67-270A	1	(ILLUST. NO.2)			
67-099D		FUSE (60A)			
FB01-67-099	3	60A			
67-100		HARNESS, ROOM LAMP			
FD01-67-100D	1	(W/D SUN ROOF)			
FD04-67-100D	1	(W/STEEL SUN ROOF) (W/GLASS SUN ROOF)			
67-9C0		BOX, RELAY-FRONT HARNESS			
FD15-66-750	1				
67-9C2		COVER, RELAY BOX-F. HARNESS			
FD15-66-752	1				

AUFA06

CAT. AUFA06-04

1997-01

6701 ENGINE & TRANSMISSION WIRING HARNESSSES



PART NO.	QTY	MODEL/RESTRICTION	MODEL/RESTRICTION	MODEL/RESTRICTION	FROM-TO
18-0FXA		BRACKET, ENGINE HARNESS			
N3A1-18-0FXA	1	(ILLUST. NO.1)			
N3A2-18-0FXA	1	(ILLUST. NO.2)			
18-050		WIRING, ENGINE			
N3A3-18-05Z	1	(ILLUST. NO.2)			
N3A1-18-05ZF	1	(ILLUST. NO.1)			-5418
A (N3A1-18-05ZG)		(MT)			
N3A2-18-05ZH	1	(ILLUST. NO.1)			-5418
A (N3A2-18-05ZJ)		(AT)			
N3A1-18-05ZG	1	(ILLUST. NO.1)			5418-
		(MT)			
N3A2-18-05ZJ	1	(ILLUST. NO.1)			5418-
		(AT)			
18-054		BRACKET, HOLE-ENG. WIRING			
N3A1-18-0FY	1				
18-058		BRACKET, ENGINE HARNESS			
N3A2-18-054	1				
66-136		FUSE (30A)			
H115-67-099	1				
66-136A		FUSE (40A)			
H116-67-099	1				
66-760		BLOCK, MAIN FUSE			
FD02-66-760C	1				
66-761		COVER, MAIN FUSE BLOCK			
FD02-66-762A	1				
66-872		TAB, EARTH			
FD01-67-TE1C	1				
67-B7X		BRACKET, HARNESS			
FD03-67-B7XD	1				
67-B71		BRACKET, HARNESS			
FD01-67-B71B	1	(MT)			
5418 FD333 -480030					

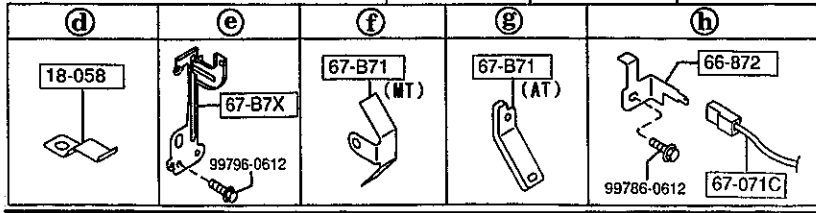
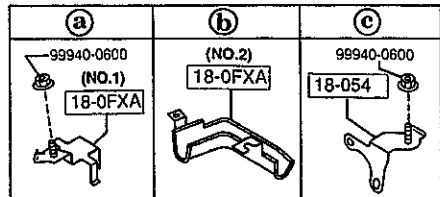
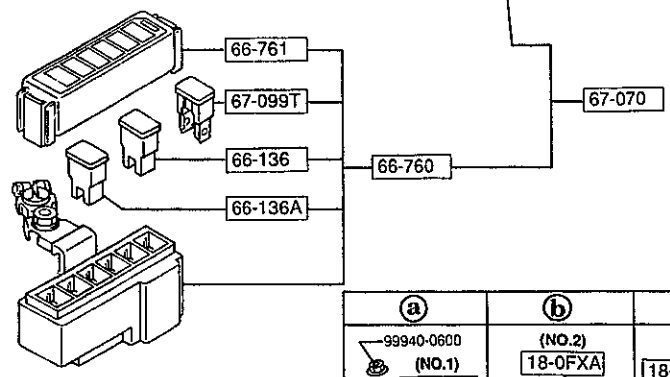
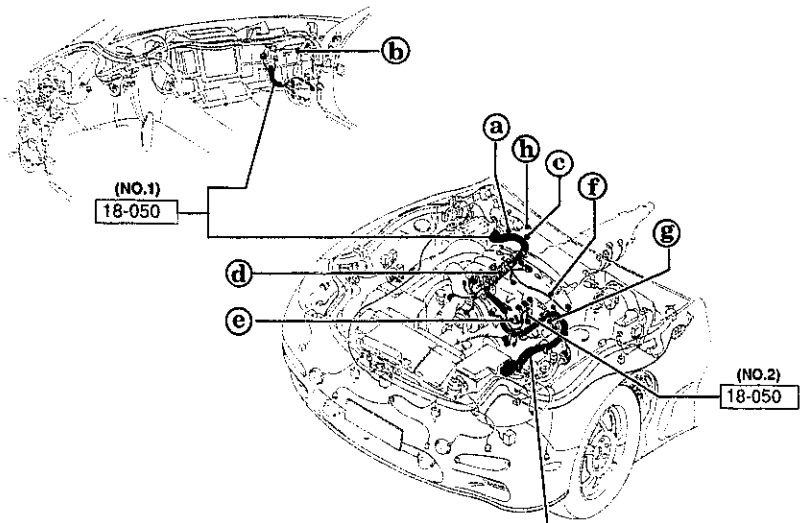
AUFA06

CAT. AUFA06-04

1997-01

6701 -2 * ENGINE & TRANSMISSION WIRING HARNESSSES

6701 ENGINE & TRANSMISSION WIRING HARNESSSES



PART NO.	QTY	MODEL/RESTRICTION	MODEL/RESTRICTION	MODEL/RESTRICTION	FROM-TO
CONT'D					
FD02-67-B71A	1	(AT)			
-----+----- 67-070 -----+-----		HARNES, ENGINE			
FD01-67-070L	1	(MT)			
FD02-67-070C	1	(AT)			
-----+----- 67-071C -----+-----		WIRE, EARTH			
FD01-67-E70A	1				
-----+----- 67-099T -----+-----		FUSE (120A)			
J001-67-099	1				

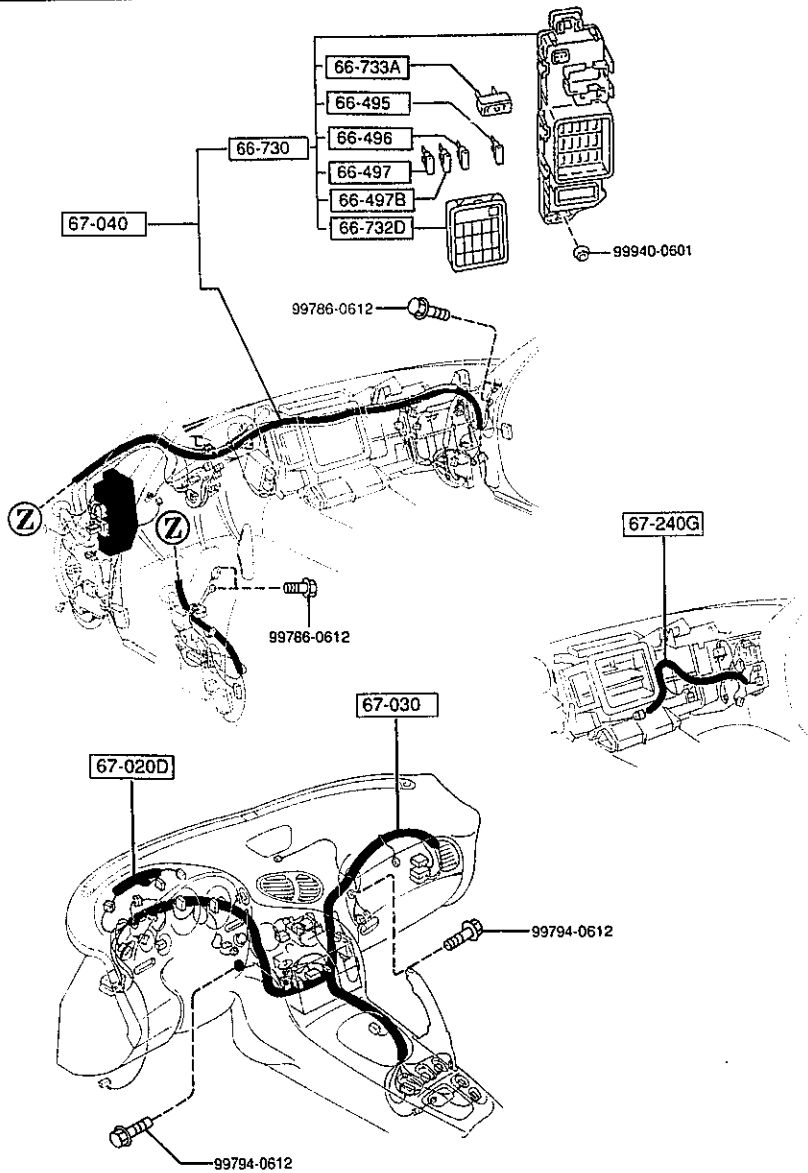
AUFA06

CAT. AUFA06-04

1997-01

6702 DASHBOARD WIRING HARNESSSES

6702 -1 DASHBOARD WIRING HARNESSSES



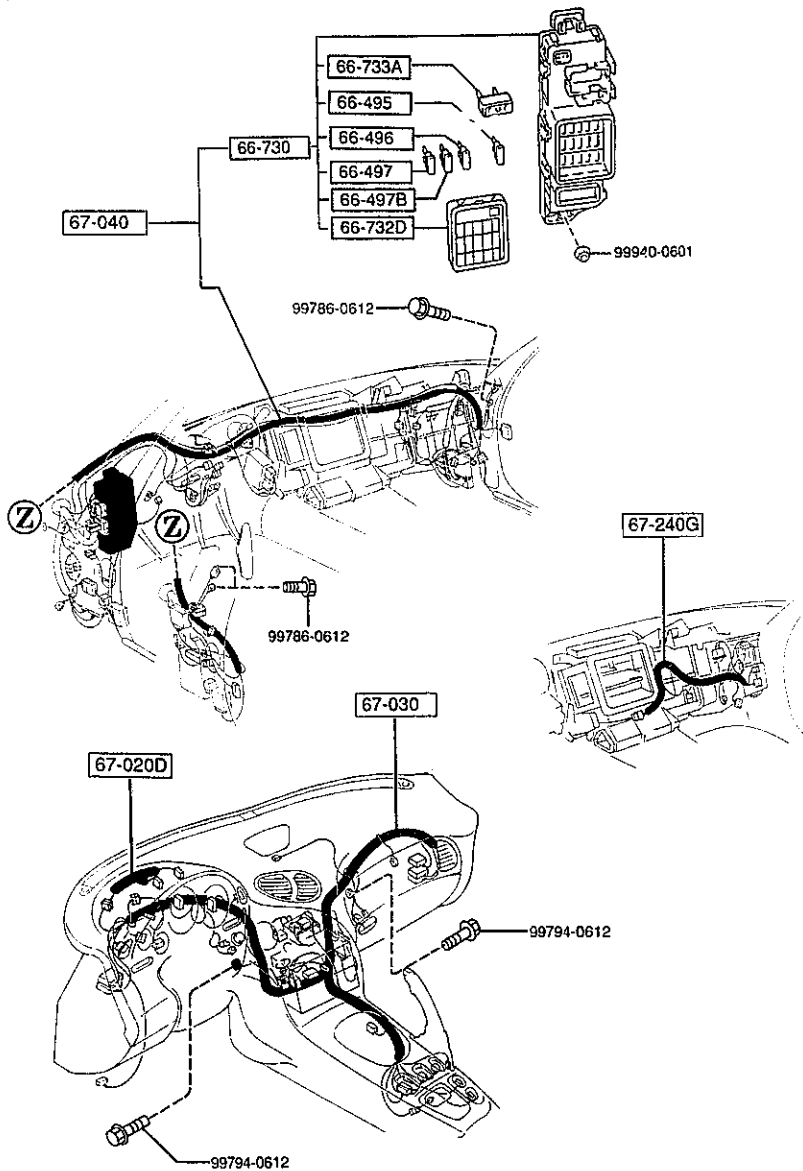
PART NO.	QTY	MODEL/RESTRICTION	MODEL/RESTRICTION	MODEL/RESTRICTION	FROM-TO
66-495		FUSE (10A)			
99705-1110	5				
66-496		FUSE (15A)			
99705-1115	7				
66-497		FUSE (20A)			
99705-1120	4				
66-497B		FUSE (30A)			
99705-1130	1				
66-730		BLOCK, FUSE			
FD01-66-730A	1				
66-732D		COVER, FUSE BLOCK			
FD01-66-731A	1				
66-733A		BREAKER			
H001-66-733	1				
67-020D		HARNESS, INST.			
FD01-67-03ZA	1				
67-030		HARNESS, INSTRUMENT			
FD15-67-030C	1	((W/O SUN ROOF))>(MT)			
FD17-67-030C	1	((W/O SUN ROOF))>(AT)			
FD18-67-030C	1	((W/GLASS SUN ROOF))>(MT)			
FD19-67-030C	1	((W/GLASS SUN ROOF))>(AT)			
FD36-67-030	1	(W/STEEL SUN ROOF)			
67-040		HARNESS, DASHBOARD			
FD15-67-040B	1	((W/O SUN ROOF))>(MT) (W/STEEL SUN ROOF)			
FD17-67-040B	1	((W/O SUN ROOF))>(AT)			
FD18-67-040B	1	((W/GLASS SUN ROOF))>(MT)			

AUFA06

CAT. AUFA06-04

1997-01

6702 DASHBOARD WIRING HARNESSSES

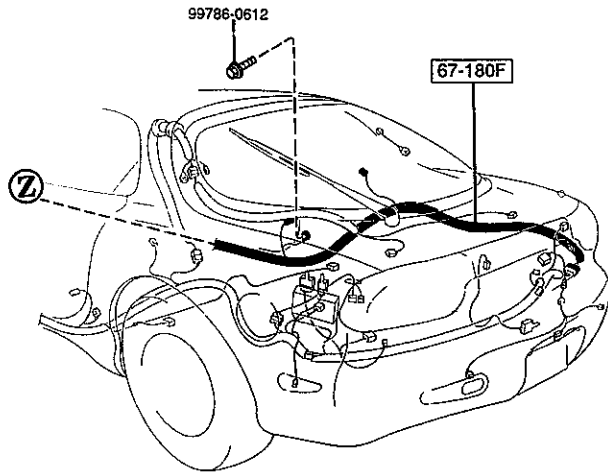
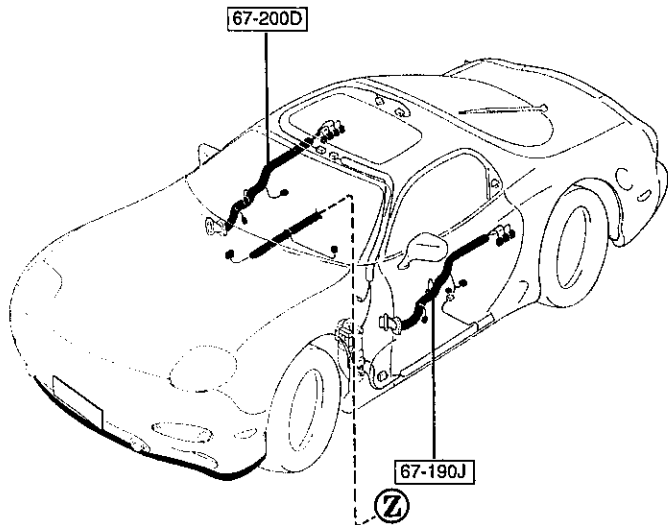


6702 -2 * DASHBOARD WIRING HARNESSSES

PART NO.	QTY	MODEL/RESTRICTION	MODEL/RESTRICTION	MODEL/RESTRICTION	FROM-TO
CONT'D FD19-67-040B	1	((W/GLASS SUN ROOF)> (AT))			
+-----+ 67-240G +-----+		HARNESS, LOGICAL CONT RDL			
FD01-67-240E	1				

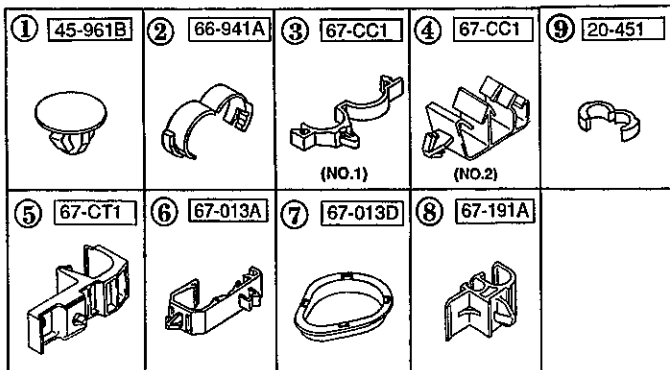
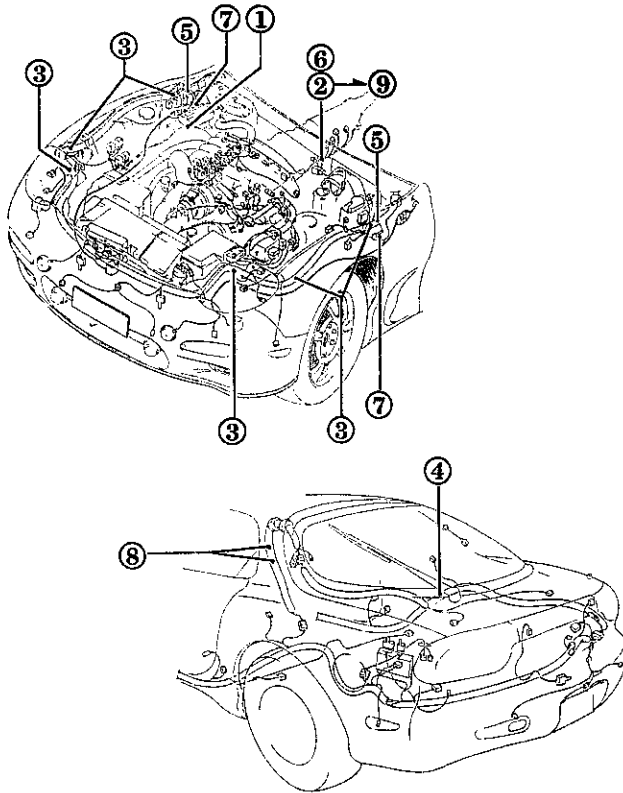
6703 DOOR, FLOOR & CEILING WIRING HARNESSSES

6703 -1 * DOOR, FLOOR & CEILING WIRING HARNESSSES



PART NO.	QTY	MODEL/RESTRICTION	MODEL/RESTRICTION	MODEL/RESTRICTION	FROM-TO
67-180F FD31-67-180A	1	WIRING, FLOOR			
67-190J FD15-67-190C	1	HARNESS, DOOR-DRIVER SIDE			
67-200D FD15-67-200C	1	HARNESS, DOOR-PASSENGER SIDE			

6704 WIRING HARNESS CLAMPS



PART NO.	QTY	MODEL/RESTRICTION	MODEL/RESTRICTION	MODEL/RESTRICTION	FROM-TO
20-451		CLIP			
B612-20-468	1	(MT)			4A03-
45-961B		CAP			
H002-45-961	1				
66-941A		CLIP			
FB01-66-945	1	(MT)			-4A03
67-CC1		CLIP, HARNESS			
FD01-67-CC1	6	(ILLUST. NO.1)			
F100-67-C41	1	(ILLUST. NO.2)			
67-CT1		CLIP, HARNESS			
FD01-67-CD1	2				
67-013A		CLIP			
UB42-67-013	1	(AT)			
67-013D		PROTECTOR, HARNESS			
FD01-67-P13	2				
67-191A		CLIP			
B467-67-CE1	2				
4A03 FD333 -400014					

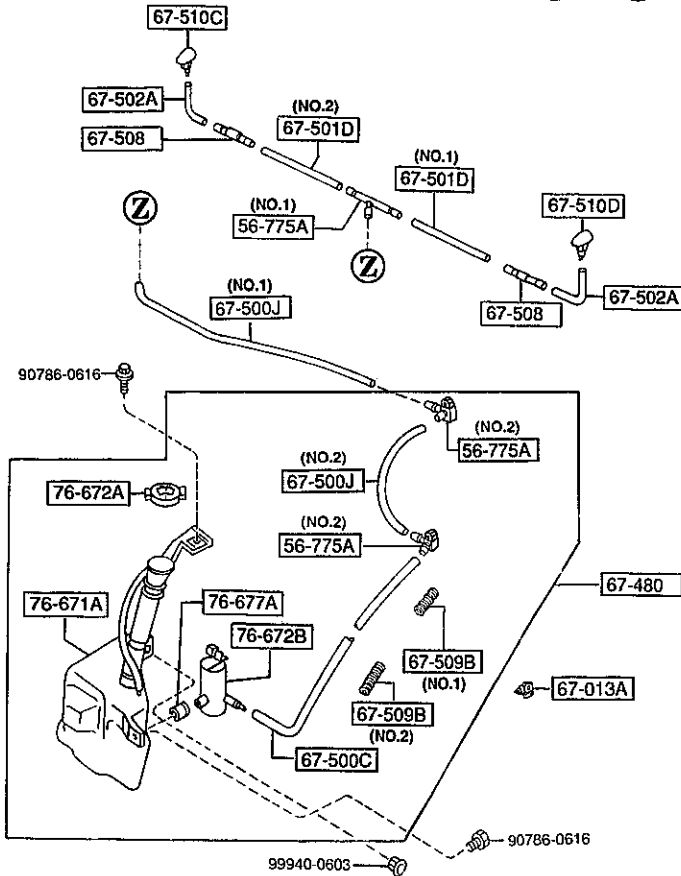
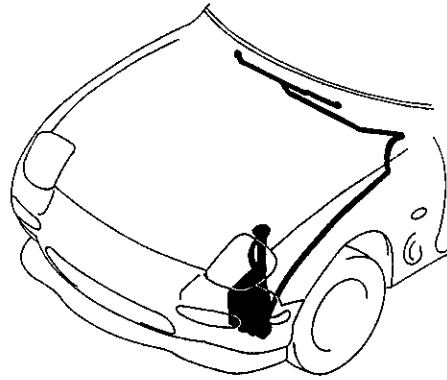
AUFA06

CAT. AUFA06-04

1997-01

6720 WINDSHIELD WASHER

6720 -1 WINDSHIELD WASHER



PART NO.	QTY	MODEL/RESTRICTION	MODEL/RESTRICTION	MODEL/RESTRICTION	FROM-TO
56-775A		CLIP, WASHER HOSE			
D061-67-505	1	(ILLUST. NO.1)			
M020-67-505	2	(ILLUST. NO.2)			
67-013A		CLIP			
H045-67-013	1				
67-480		TANK, WASHER-FRONT			
FD01-67-480B	1				
67-500C		PIPE, SCREEN WASHER			
FD05-67-501	1				
67-500J		PIPE, SCREEN WASHER			
FD03-67-501	1	(ILLUST. NO.1)			
FD04-67-501A	1	(ILLUST. NO.2)			
67-501D		PIPE, WASHER-FRONT WIPER			
FD01-67-501	1	(ILLUST. NO.1)			
FD02-67-501	1	(ILLUST. NO.2)			
67-502A		JOINT, HOSE			
FD01-67-502	2				
67-508		VALVE, CHECK			
FD01-67-508	2				
67-509B		TUBE, CORRUGATE			
FD01-67-509	1	(ILLUST. NO.1)			
FD02-67-509	1	(ILLUST. NO.2)			
67-510C		NOZZLE(R), WASHER			
FD02-67-510	1				
NU	EXT-	NT NU VINTAGE RED			
PT	EXT-	PT VX CHAST WHITE			
03	EXT-	M8 N6 PX PZ 2A 3L 4G BLACK			
67-510D		NOZZLE(L), WASHER			
FD01-67-510	1				

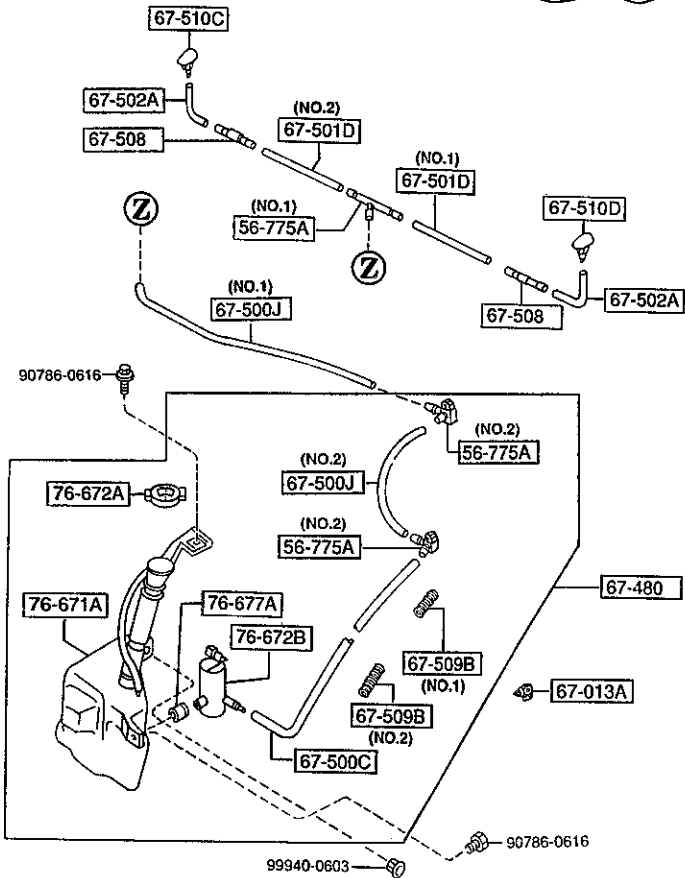
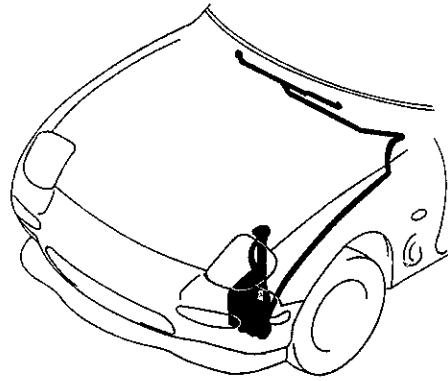
AUFA06

CAT. AUFA06-04

1997-01

6720 WINDSHIELD WASHER

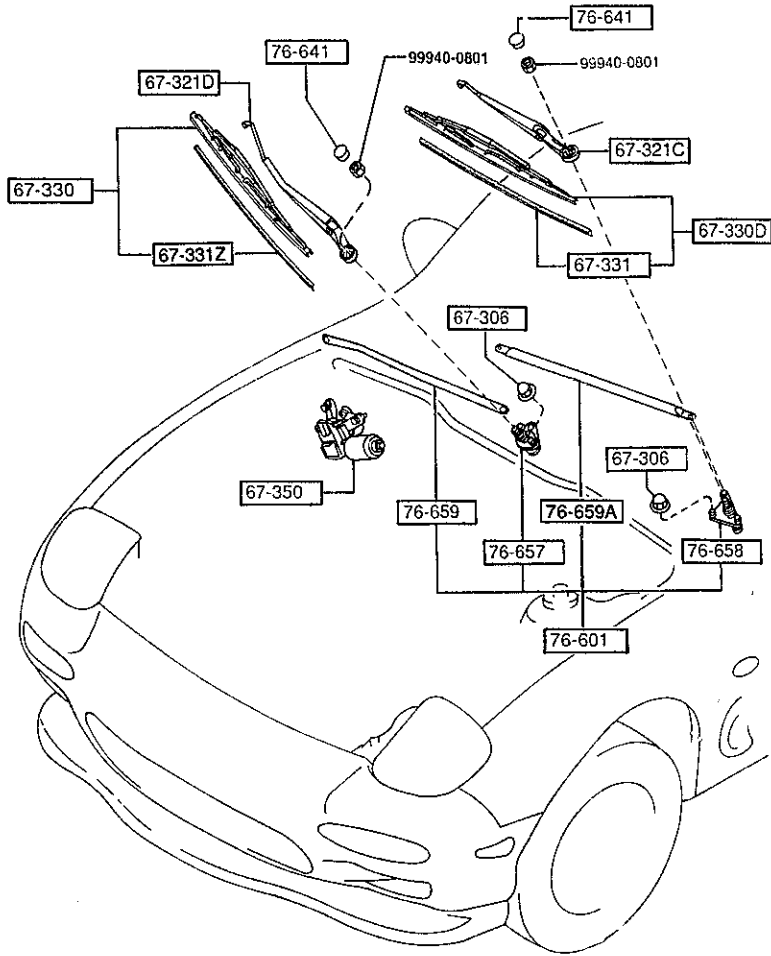
6720 -2 * WINDSHIELD WASHER



PART NO.	QTY	MODEL/RESTRICTION	MODEL/RESTRICTION	MODEL/RESTRICTION	FROM-TO
CONT'D					
NU	EXT-	NT NU VINTAGE RED			
PT	EXT-	PT VX CHAST WHITE			
03	EXT-	M8 N6 PX PZ 2A 3L 4G BLACK			
76-671A		TANK, WASHER-RR WIPER			
FD01-67-481A	1				
76-672A		CAP, TANK			
FD01-67-483	1				
76-672B		PUMP, WASHER			
FD01-67-482	1				
76-677A		GROMMET, WASHER TANK			
5084-76-677	1				

6730 WINDSHIELD WIPERS

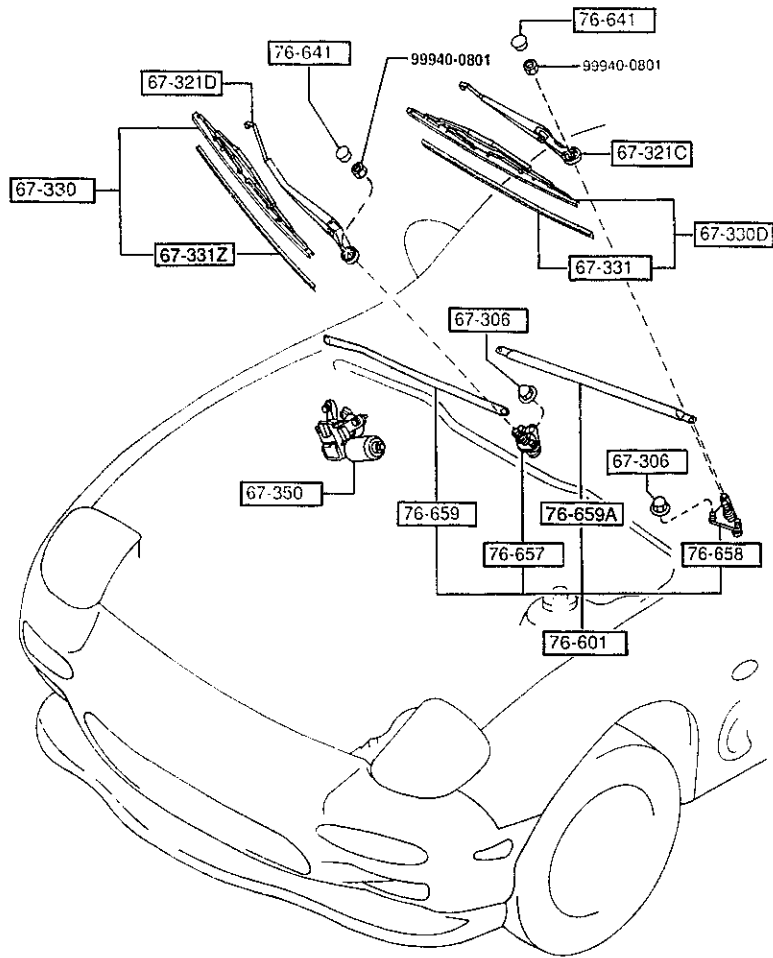
6730 -1 WINDSHIELD WIPERS



PART NO.	QTY	MODEL/RESTRICTION	MODEL/RESTRICTION	MODEL/RESTRICTION	FROM-TO
67-306		NUT,WIPER LINK			
GJ21-67-306	5				
67-321C		ARM,WIPER-DRIVER SIDE			
FD01-67-321	1				
67-321D		ARM,WIPER-CO DRIVER SIDE			
FD02-67-321	1				
67-330		BLADE,WIPER-FRONT			-5201
TA02-67-330	1				
AN(TA02-67-330A)					5201-
TA02-67-330A	1				
67-330D		BLADE(L),WIPER-FRONT			-5201
FD01-67-330A	1				
AN(FD01-67-330B)					5201-
FD01-67-330B	1				
67-331		RUBBER, BLADE-FRONT			-5201
F100-67-331	1				
AN(H272-67-331B)					5201-
H272-67-331B	1				
67-331Z		RUBBER, BLADE-FRONT			-5201
D061-67-331	1				
AN(D061-67-331A)					5201-
D061-67-331A	1				
67-350		MOTOR,WIPER			
FD01-67-340	1	(EXC.COLD SPEC)			
FD02-67-340	1	(COLD SPEC)			
76-601		LINK,WIPER			
FD01-67-360	1	(EXC.COLD SPEC)			
FD02-67-360	1	(COLD SPEC)			
76-641		COVER,WIPER ARM-FRONT			
LA01-67-395A	2				
76-657		SHAFT,DRIVE NO.1			
5201 FD333 -400026					

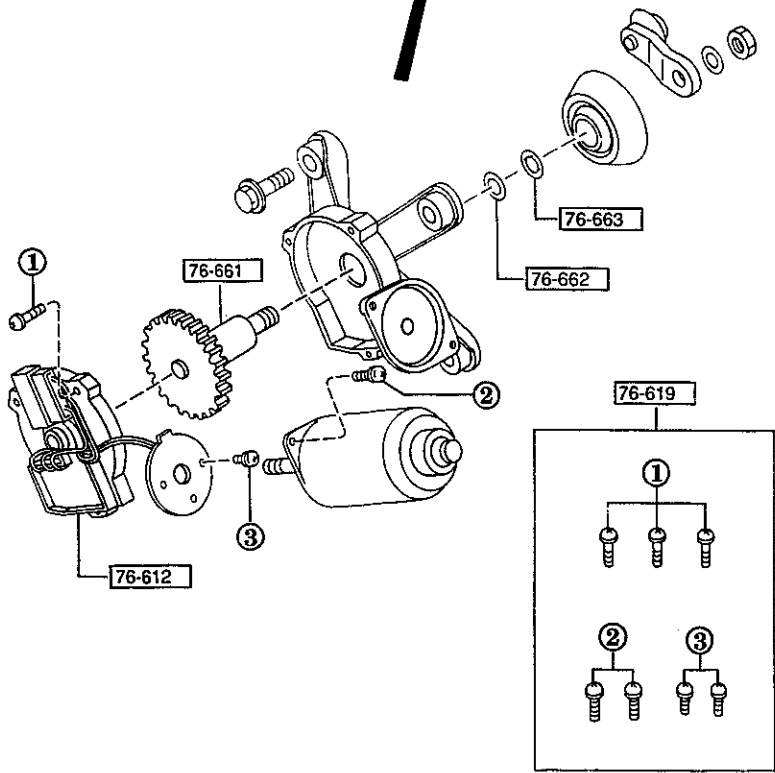
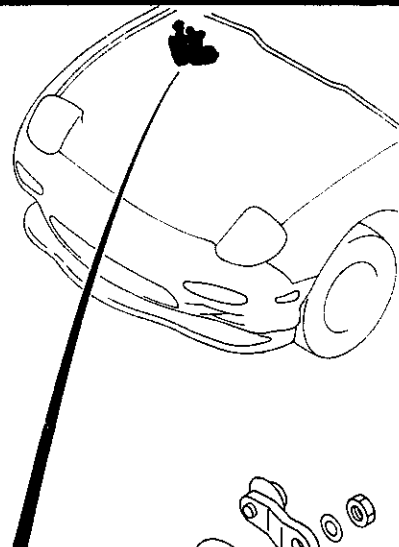
6730 -2 * WINDSHIELD WIPERS

6730 WINDSHIELD WIPERS



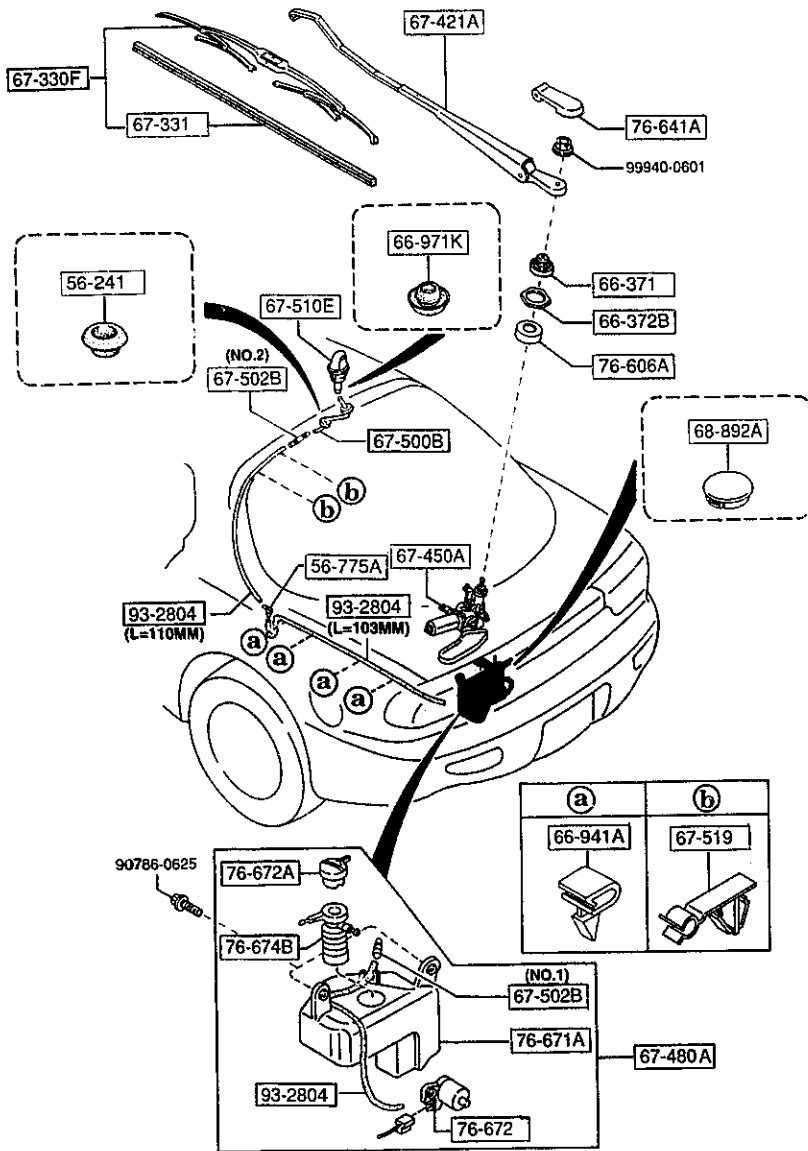
PART NO.	QTY	MODEL/RESTRICTION	MODEL/RESTRICTION	MODEL/RESTRICTION	FROM-TO
CONT'D					
FD01-67-363	1	(EXC. COLD SPEC)			
FD02-67-363	1	(COLD SPEC)			
76-658		SHAFT, DRIVE NO. 2			
FD01-67-364	1	(EXC. COLD SPEC)			
FD02-67-364	1	(COLD SPEC)			
76-659		ARM NO. 1, LINK			
FD01-67-361	1				
76-659A		ARM NO. 2, LINK			
FD01-67-362	1				

6740 WIPER MOTOR COMPONENTS (FRONT)
 COMPONENTS OF FD01-67-340
 FD02-67-340



6740 -1 * WIPER MOTOR COMPONENTS (FRONT)

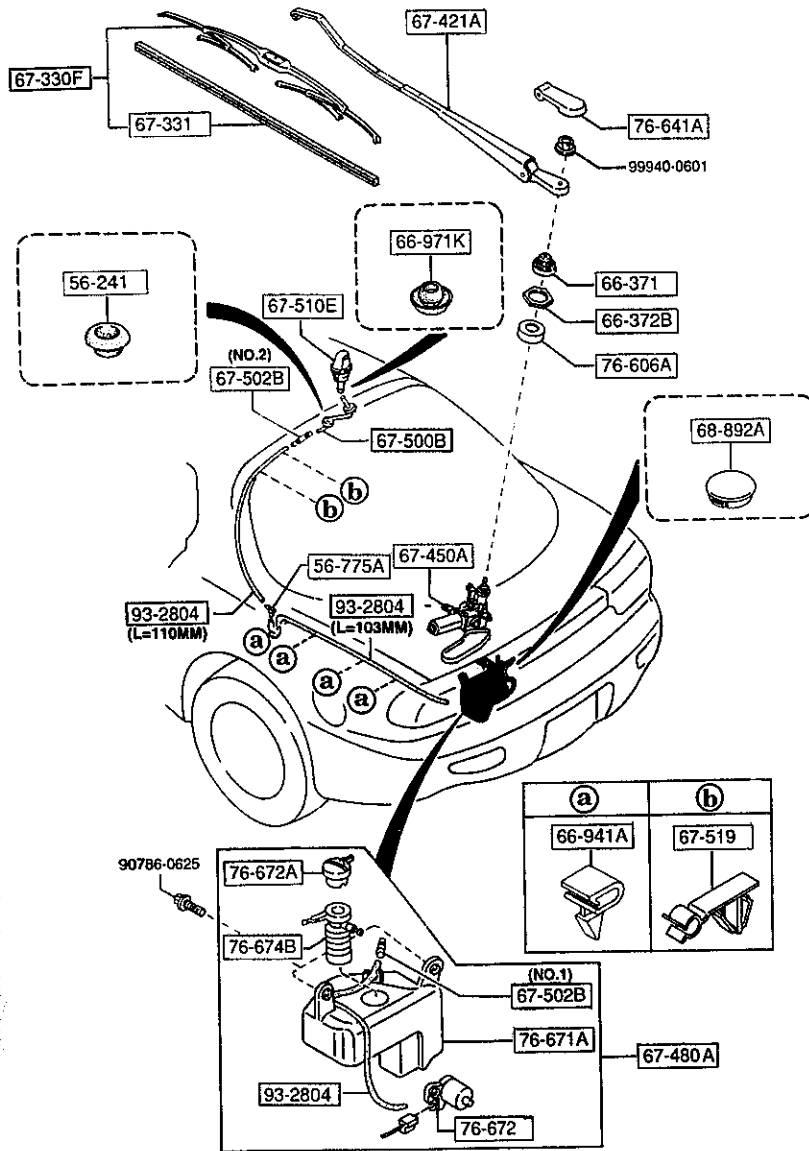
PART NO.	QTY	MODEL/RESTRICTION	MODEL/RESTRICTION	MODEL/RESTRICTION	FROM-TO
76-612		PLATE, HOLDER-BRUSH			
FD01-67-351	1	(EXC. COLD SPEC)			
FD02-67-351	1	(COLD SPEC)			
76-619		PARTS SET			
H043-76-619A	1				
76-661		GEAR, SHAFT			
FD01-67-354	1				
76-662		WASHER			
B094-76-662	1				
76-663		WASHER, TOOTHED			
B094-76-663	1				



PART NO.	QTY	MODEL/RESTRICTION	MODEL/RESTRICTION	MODEL/RESTRICTION	FROM-TO
56-241		PLUG, DRAIN			
0118-56-241	1	BASE, R2, R3, (W/O RR WASHER TANK)			
56-775A		CLIP, WASHER HOSE			
LA01-67-505B	1	TOURING, (W/RR WASHER TANK)			
66-371		CAP, SEAL			
FD01-67-366	1				
66-372B		NUT			
B093-76-605	1				
66-941A		CLIP			
GB08-66-941	4	TOURING, (W/RR WASHER TANK)			
66-971K		GROMMET			
0222-66-971	1	BASE, R2, R3, (W/O RR WASHER TANK)			
67-330F		BLADE, WIPER			
FD03-67-330 AN(FD03-67-330A)	1				-5201
FD03-67-330A	1				5201-
67-331		RUBBER, BLADE-FRONT			
B461-67-331 AN(B461-67-331A)	1				-5201
B461-67-331A	1				5201-
67-421A		ARM, WIPER			
FD01-67-421	1				
67-450A		MOTOR			
FD01-67-450A AN(FD01-67-450B)	1				-5201
FD01-67-450B	1				5201-
67-480A		TANK, WASHER-REAR			
FD02-67-480	1	TOURING,			
5201 FD333 -400026					

6750 WINDOW WIPER & WASHER (REAR)

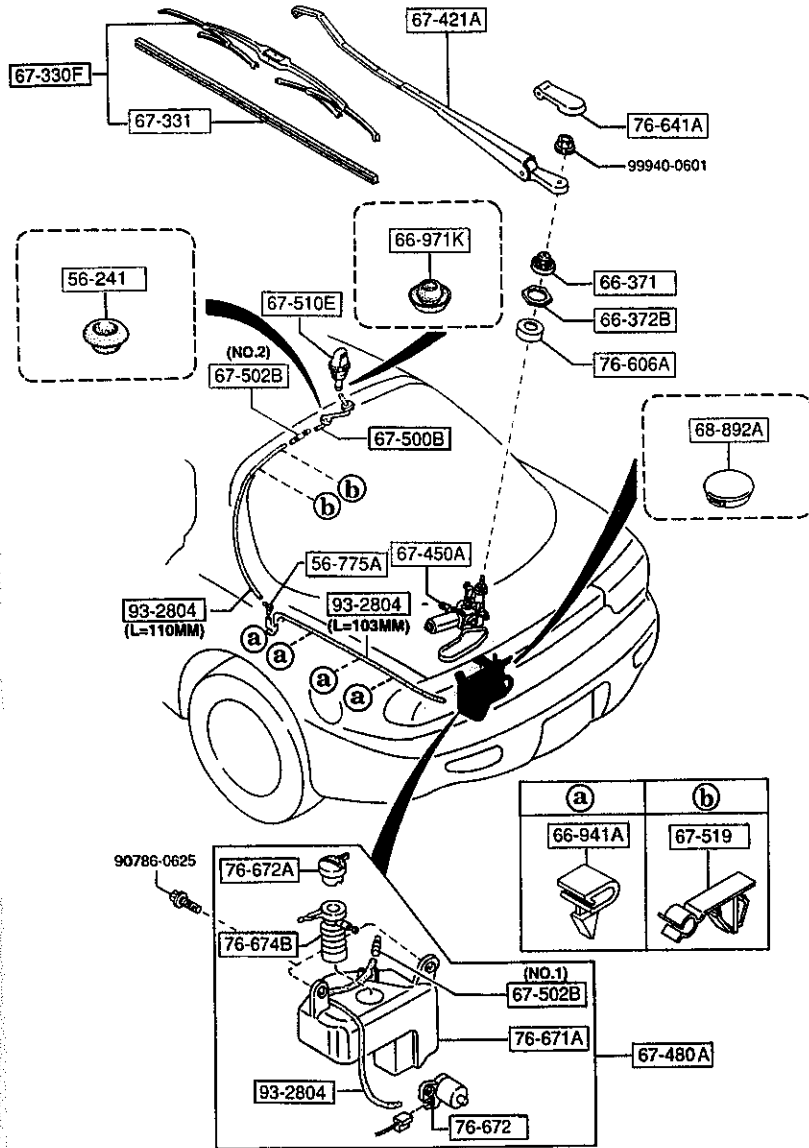
6750 -2 WINDOW WIPER & WASHER (REAR)



PART NO.	QTY	MODEL/RESTRICTION	MODEL/RESTRICTION	MODEL/RESTRICTION	FROM-TO
CONT'D					
67-500B		(W/RR WASHER TANK)			
FD04-67-500	1	PIPE, REAR WASHER-UPPER TOURING, (W/RR WASHER TANK)			
67-502B		JOINT, HOSE			
DB05-67-502	1	TOURING, (ILLUST. NO. 1) (W/RR WASHER TANK)			
4116-67-502	1	TOURING, (ILLUST. NO. 2) (W/RR WASHER TANK)			
67-510E		NOZZLE, WASHER			
FD03-67-510	1	TOURING, (W/RR WASHER TANK)			
67-519		CLIP, PIPE			
B499-67-519	2	TOURING, (W/RR WASHER TANK)			
68-892A		COVER, HOLE-RR WIPER			
FD01-67-492	1	BASE, R2, R3, (W/O RR WASHER TANK)			
76-606A		BUSH, OUTER			
FD01-67-407	1				
76-641A		COVER, WIPER ARM-REAR			
B093-76-641	1				
76-671A		TANK, WASHER-RR WIPER			
FD02-67-481	1	TOURING, (W/RR WASHER TANK)			
76-672		PUMP, WASHER			
FD02-67-482	1	TOURING, (W/RR WASHER TANK)			
76-672A		CAP, TANK			
FD02-67-483	1	TOURING, (W/RR WASHER TANK)			

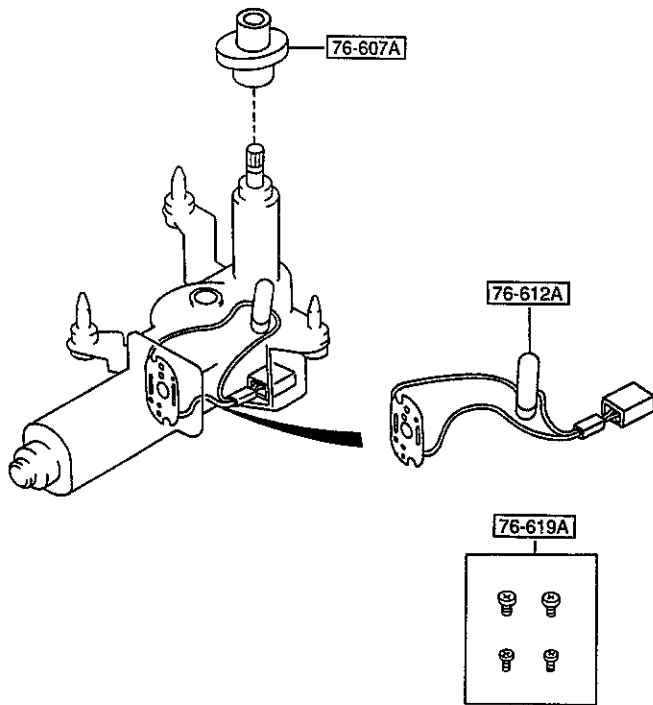
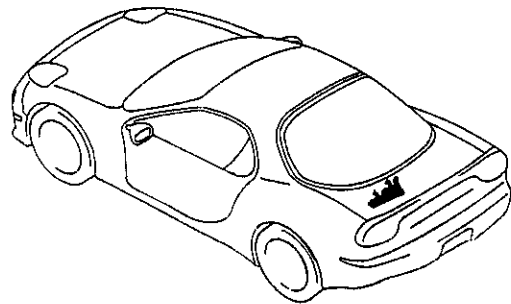
6750 WINDOW WIPER & WASHER (REAR)

6750 -3 * WINDOW WIPER & WASHER (REAR)



PART NO.	QTY	MODEL/RESTRICTION	MODEL/RESTRICTION	MODEL/RESTRICTION	FROM-TO
76-674B		FANNEL			
FD02-67-484	1	TOURING, (W/RR WASHER TANK)			
93-2804		PIPE,VINYL			
9932B-04010	1	L=10M CUT IT TO USE			

6760 WINDOW WIPER MOTOR COMPONENTS (REAR)
 COMPONENTS OF FD01-67-450B



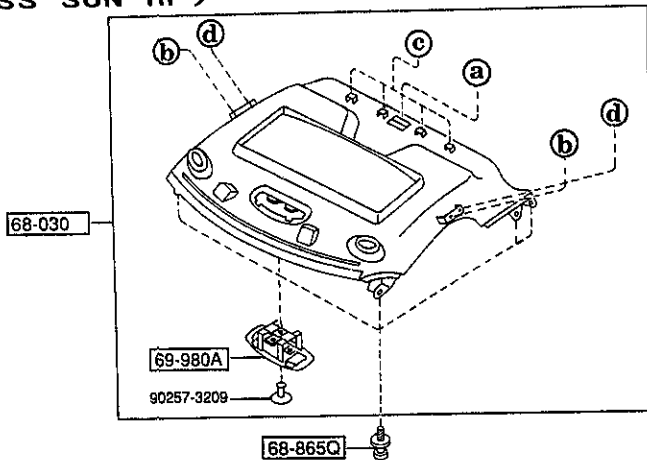
6760 -1 * WINDOW WIPER MOTOR COMPONENTS (REAR)

PART NO.	QTY	MODEL/RESTRICTION	MODEL/RESTRICTION	MODEL/RESTRICTION	FROM-TO
76-607A		BUSH, INNER			
FD01-67-402 A (FD01-67-402A)	1				-5201
FD01-67-402A	1				5201-
76-612A		PLATE, HOLDER-BRUSH			
FD01-67-451	1				
76-619A		PARTS SET			
B002-76-619A	1				

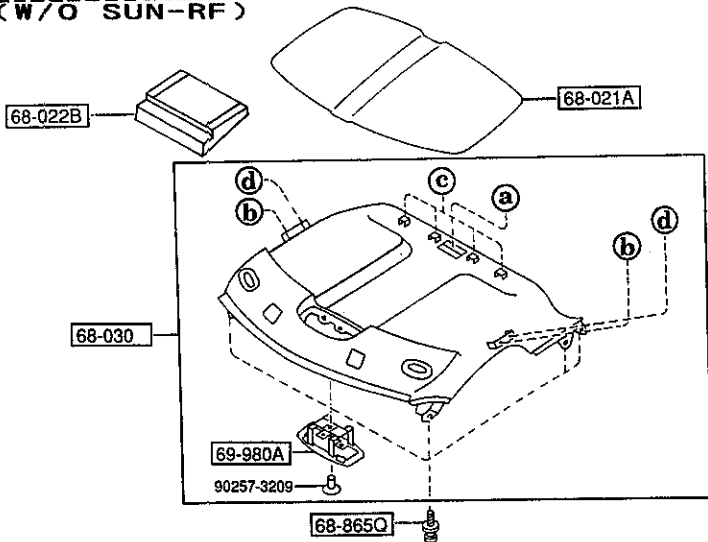
5201 FD333 -400026

6800 CEILING TRIMS

(STEEL SUN-RF)
(GLASS SUN-RF)



(W/O SUN-RF)



a	b	c	d
68-D21	68-0C0	68-865S	68-865U

6800 -1 * CEILING TRIMS

PART NO.	QTY	MODEL/RESTRICTION	MODEL/RESTRICTION	MODEL/RESTRICTION	FROM-TO
68-D21		CLIP, TRIM			
GA2A-68-D21	1				
68-0C0		CLIP, TOP CEILING			
M001-68-0C0A	2				
68-021A		INSULATOR, ROOF			
FD01-68-021A	1	(W/O SUN ROOF)			
68-022B		PAD, ROOF			
FD15-68-016	1	(W/O SUN ROOF)			
68-030		CEILING, TOP			
FD01-68-030C	1	(W/STEEL SUN ROOF) (W/GLASS SUN ROOF)			-4A01
02	INT-	FES FE6 FE7 BLACK			
FD03-68-030C	1	(W/O SUN ROOF)			-4A01
02	INT-	FES FE6 FE7 BLACK			
FD03-68-030D	1	(W/O SUN ROOF)			4A01-
02	INT-	FES FE6 FE7 BLACK			
FD01-68-030D	1	(W/STEEL SUN ROOF) (W/GLASS SUN ROOF)			4A01-5C26
02	INT-	FES FE6 FE7 BLACK			
*FD01-68-030E	1	(W/STEEL SUN ROOF) (W/GLASS SUN ROOF)			5C26-
* 02	INT-	FES FE6 FE7 BLACK			
68-865Q		FASTENER			
GJ21-68-885B	4				
00	INT-	FES FE6 FE7 BLACK			
68-865S		CLIP, TRIM			
GJ12-68-865	4				
68-865U		CLIP, TRIM			
GJ21-68-865	2				
69-980A		BRACKET, OVERHEAD CON SOLE			
FD01-69-98X	1				
4A01 FD333 -400014					
5C26 FD333 -400531					



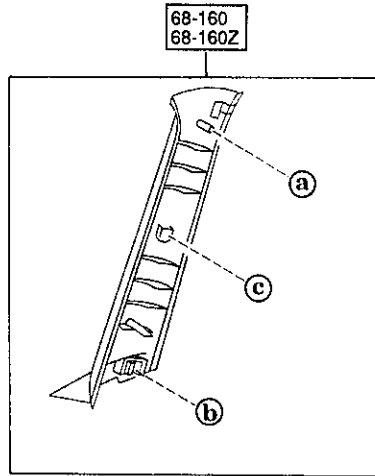
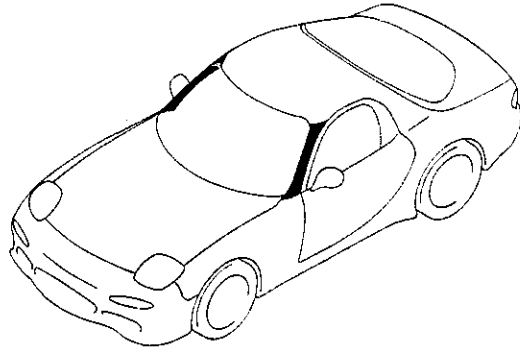
AUFA06

CAT. AUFA06-04

1997-01

6820 PILLAR TRIMS

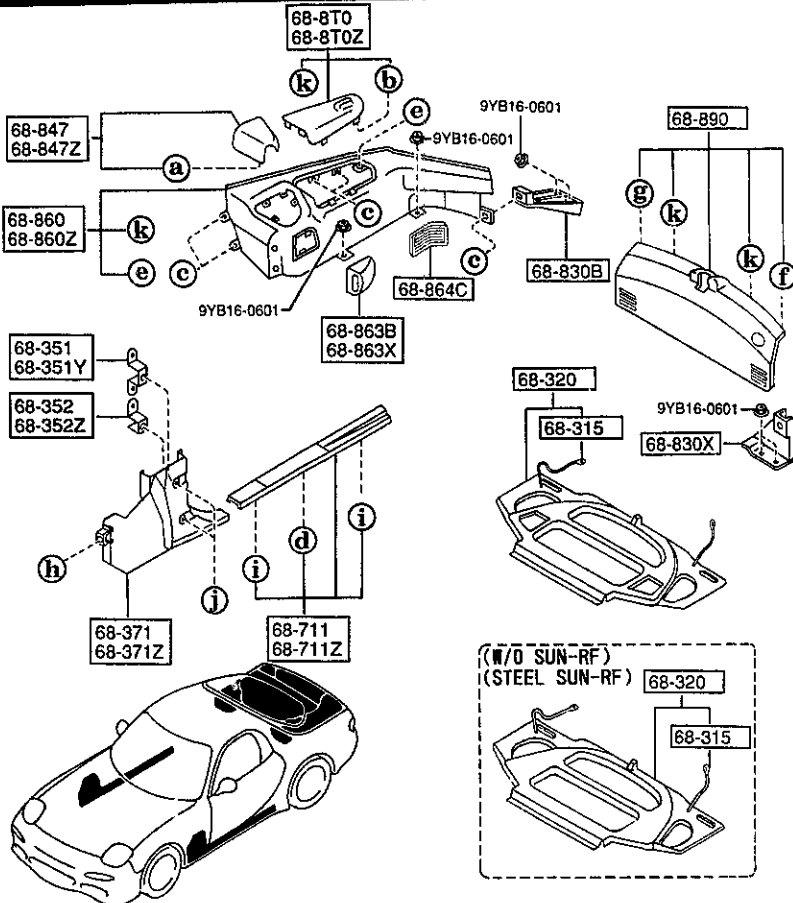
6820 -1 * PILLAR TRIMS



a	b	c
68-D21	68-218B	68-865S

PART NO.	QTY	MODEL/RESTRICTION	MODEL/RESTRICTION	MODEL/RESTRICTION	FROM-TO
68-D21		CLIP,TRIM			
FD01-68-D21	2				
68-160		TRIM(R),'A'PILLAR			
FD01-68-160F	1				-5C26
02	INT-	FE5 FE6 FE7 BLACK			
*FD01-68-160G	1				5C26-
* 02	INT-	FE5 FE6 FE7 BLACK			
68-160Z		TRIM(L),'A'PILLAR			
FD01-68-170F	1				-5C26
02	INT-	FE5 FE6 FE7 BLACK			
*FD01-68-170G	1				5C26-
* 02	INT-	FE5 FE6 FE7 BLACK			
68-218B		SPRING,TRIM			
FD01-68-165	2				
68-865S		CLIP,TRIM			
GJ12-68-865	2				
5C26 FD333 -400531					

6840 TRIMS & SCUFF PLATES



a	b	c	d	e	f
64-345C	68-AB1	68-AC3	68-AD3	68-AD4	68-D21
g	h	i	j	k	
68-172H	68-353	68-712D	68-865Q	68-865S	

6840 -1 TRIMS & SCUFF PLATES

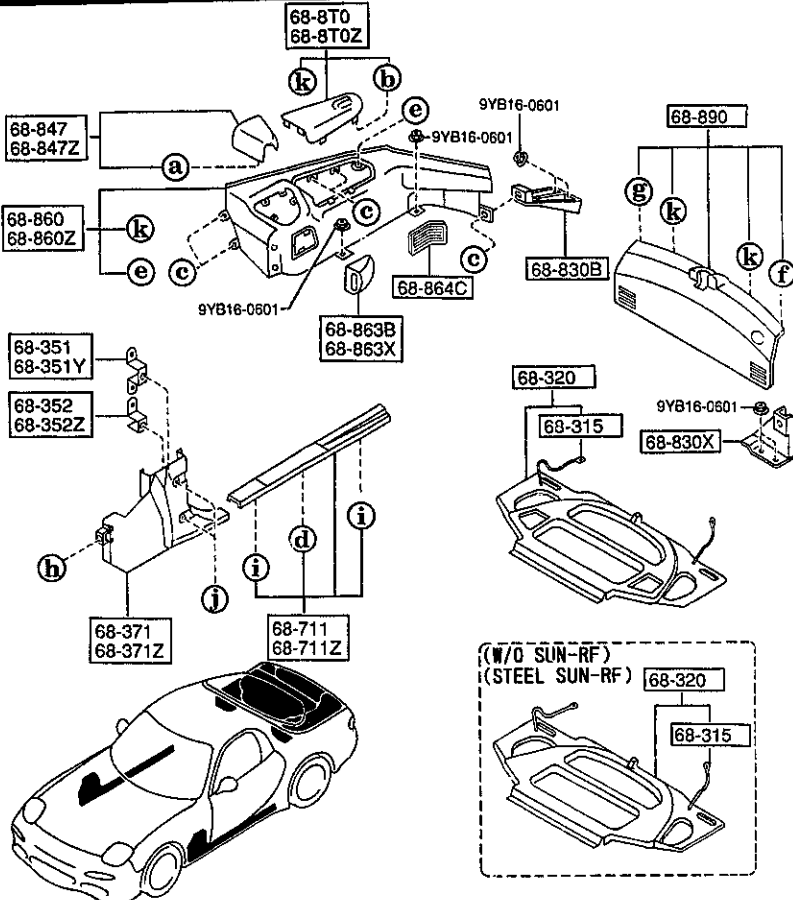
PART NO.	QTY	MODEL/RESTRICTION	MODEL/RESTRICTION	MODEL/RESTRICTION	FROM-TO
64-345C H260-64-345	6	SPRING, UPPER PLATE			
68-AB1 FD01-68-AB1B	2	FASTENER			
68-AC3 B467-68-AC3	10	FASTENER			
02	INT-	FE5 FE6 FE7 BLACK			
68-AD3 H380-68-AD3	2	CLIP, SCUFF PLATE			
68-AD4 FD01-68-AD4C	2	GROMMET, SCUFF PLATE			
68-D21 LA10-68-D21	1	CLIP, TRIM			
68-172H B100-68-215A	1	FASTENER, CTR. P/UPP.			
68-315 EA01-68-315	2	STRAP			
68-320 FD01-68-310B	1	TRAY, REAR PACKAGE	(W/O SUN ROOF) (W/STEEL SUN ROOF)		
02	INT-	FE5 FE6 FE7 BLACK			
FD05-68-310C	1	(W/GLASS SUN ROOF)			
02	INT-	FE5 FE6 FE7 BLACK			
68-351 FD01-68-351	1	BRKT, FRT SIDE TRIM	(FOR RIGHT)		
68-351Y FD01-68-356	1	BRACKET(L), UPPER-F.S IDE			
68-352 FD01-68-352	1	BRACKET(R), LOWER-F.S IDE			

AUFA06

CAT. AUFA06-04

1997-01

6840 TRIMS & SCUFF PLATES



a	b	c	d	e	f
64-345C	68-AB1	68-AC3	68-AD3	68-AD4	68-D21
g	h	i	j	k	
68-172H	68-353	68-712D	68-865Q	68-865S	

6840 -2 TRIMS & SCUFF PLATES

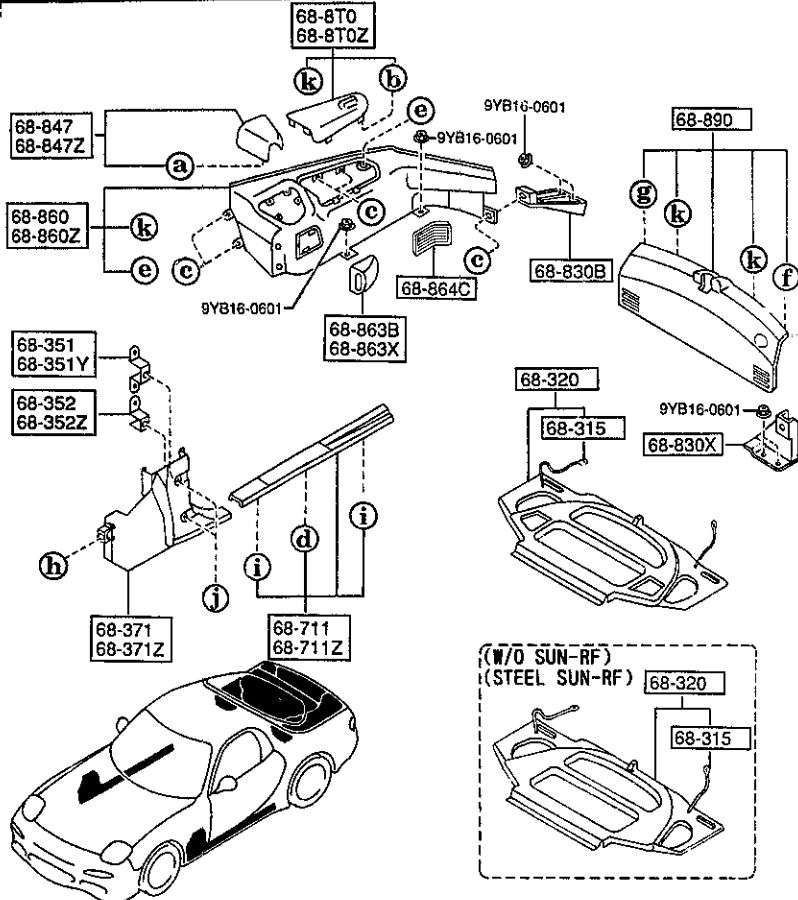
PART NO.	QTY	MODEL/RESTRICTION	MODEL/RESTRICTION	MODEL/RESTRICTION	FROM-TO
68-352Z		BRACKET(L), LOWER-F. SIDE			
FD01-68-357	1				
68-353		PIN, GUIDE-F. SIDE TRIM			
FD01-68-353 A (FD01-68-353A)	1				-5C19
*FD01-68-353A	1				5C19-
68-371		TRIM(R), FRONT SIDE			
FD01-68-371A	1				
02	INT-	FE5 FE6 FE7 BLACK			
68-371Z		TRIM(L), FRONT SIDE			
FD01-68-391A	1				
02	INT-	FE5 FE6 FE7 BLACK			
68-711		PLATE(R), FRONT SCUFF			
FD01-68-710A	1				
02	INT-	FE5 FE6 FE7 BLACK			
68-711Z		PLATE(L), FRONT SCUFF			
FD01-68-720A	1				
02	INT-	FE5 FE6 FE7 BLACK			
68-712D		CLIP			
B456-68-712	4				
68-8T0		LID(R), TRUNK SIDE			
FD01-68-8T0B	1				
02	INT-	FE5 FE6 FE7 BLACK			
68-8T0Z		LID(L), TRUNK SIDE			
FD01-68-8V0B	1				
02	INT-	FE5 FE6 FE7 BLACK			
68-830B		BRACKET(R), TRUNK SIDE			
FD01-68-8H2	1				
68-830X		BRACKET(L), TRUNK SIDE			
FD01-68-8H7	1				
5C19 FD333 -400483					

AUFA06

CAT. AUFA06-04

1997-01

6840 TRIMS & SCUFF PLATES



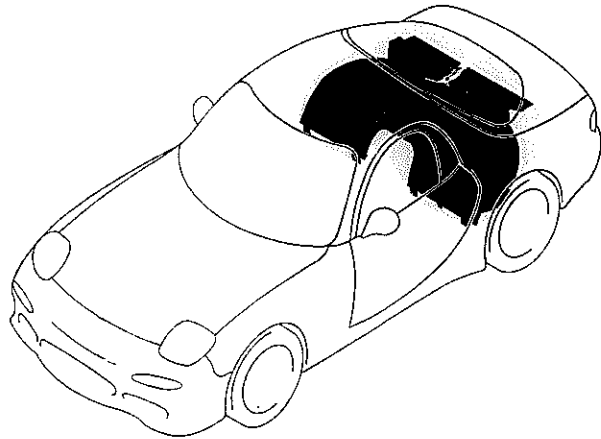
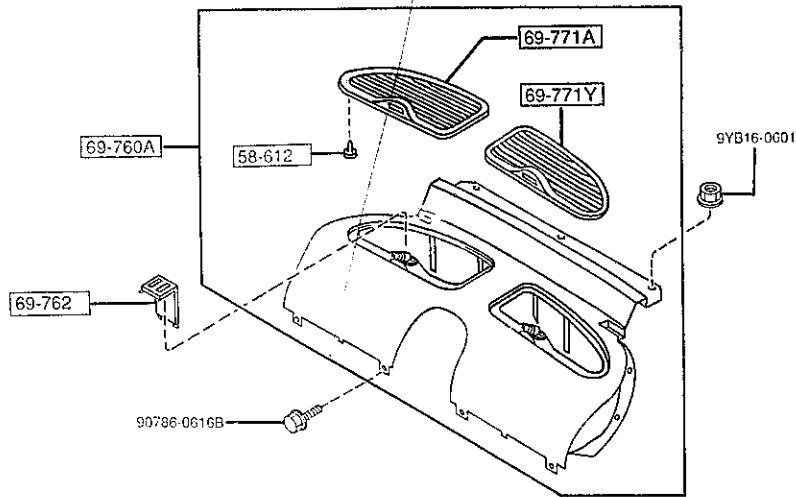
a	b	c	d	e	f
64-345C	68-AB1	68-AC3	68-AD3	68-AD4	68-D21
g	h	i	j	k	
68-172H	68-353	68-712D	68-865Q	68-865S	

6840 -3 * TRIMS & SCUFF PLATES

PART NO.	QTY	MODEL/RESTRICTION	MODEL/RESTRICTION	MODEL/RESTRICTION	FROM-TO
68-847		CAP(R),HOLE-TRUNK TRIM			
FD01-68-J30A	1				
02	INT-	FE5 FE6 FE7 BLACK			
68-847Z		CAP(L),HOLE-TRUNK TRIM			
FD01-68-J40A	1				
02	INT-	FE5 FE6 FE7 BLACK			
68-860		TRIM(R),TRUNK SIDE			
FD01-68-850E	1				
02	INT-	FE5 FE6 FE7 BLACK			
68-860Z		TRIM(L),TRUNK SIDE			
FD01-68-870F	1				
02	INT-	FE5 FE6 FE7 BLACK			
68-863B		COVER(R),TRUNK SIDE			
FD01-68-857	1				
02	INT-	FE5 FE6 FE7 BLACK			
68-863X		COVER(L),TRUNK SIDE			
FD01-68-877	1				
02	INT-	FE5 FE6 FE7 BLACK			
68-864C		GRILLE,EXTRACT.-T.S. TRIM			
FD09-68-J5Y	1				
02	INT-	FE5 FE6 FE7 BLACK			
68-865Q		FASTENER			
GJ21-68-885B	4				
00	INT-	FE5 FE6 FE7 BLACK			
68-865S		CLIP,TRIM			
GJ12-68-865	4				
68-890		TRIM,TRUNK END			
FD01-68-89X	1				
02	INT-	FE5 FE6 FE7 BLACK			

6845 STRAGE BOX

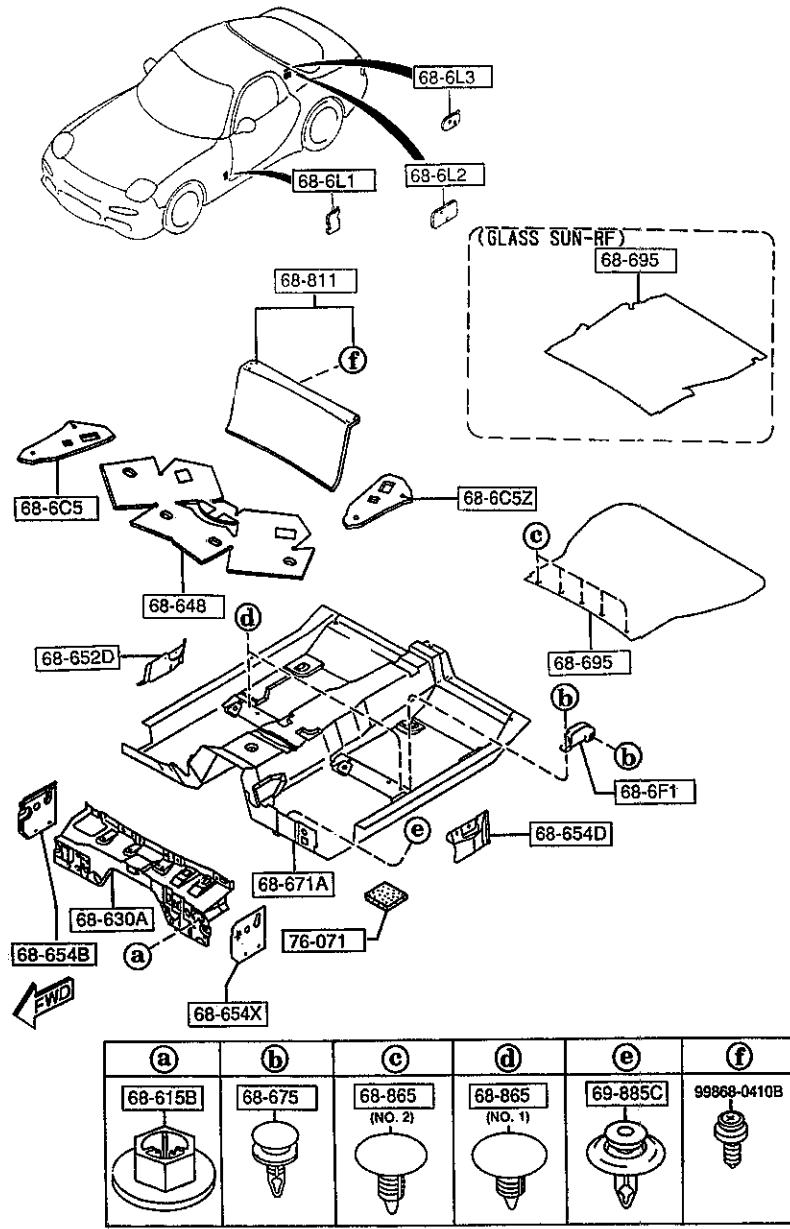
6845 -1 * STRAGE BOX



PART NO.	QTY	MODEL/RESTRICTION	MODEL/RESTRICTION	MODEL/RESTRICTION	FROM-TO
58-612		CUSHION,RUBBER			
0259-58-612	18				
69-760A		BOX,STORAGE			
FD01-69-760C	1				
02	INT-	FE5 FE6 FE7 BLACK			
69-762		PLATE,LOCK			
FD01-69-768A	1				
02	INT-	FE5 FE6 FE7 BLACK			
69-771A		LID(R),OUTER-STRAGE BOX			
FD01-69-771A	1				
02	INT-	FE5 FE6 FE7 BLACK			
69-771Y		LID(L),OUTER-STRAGE BOX			
FD01-69-781	1				
02	INT-	FE5 FE6 FE7 BLACK			

6860 FLOOR MATS & PADS

6860 -1 FLOOR MATS & PADS

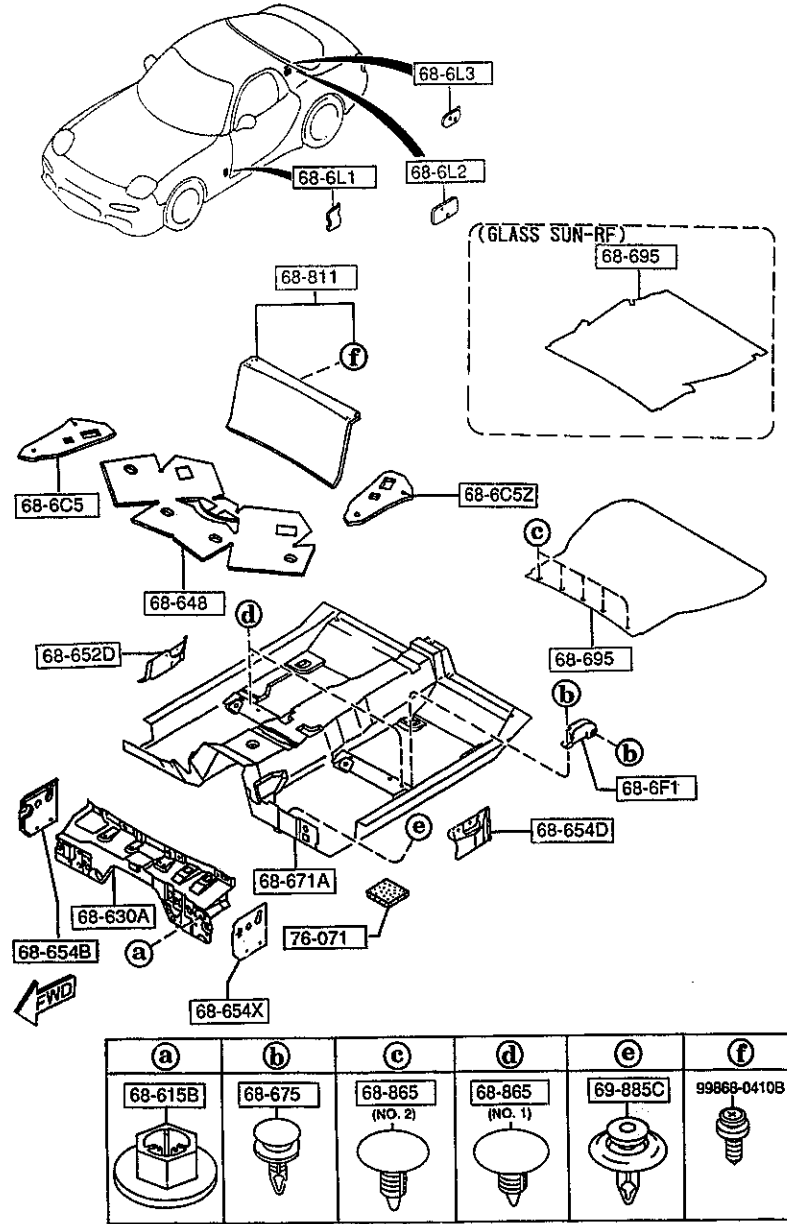


AUFA06

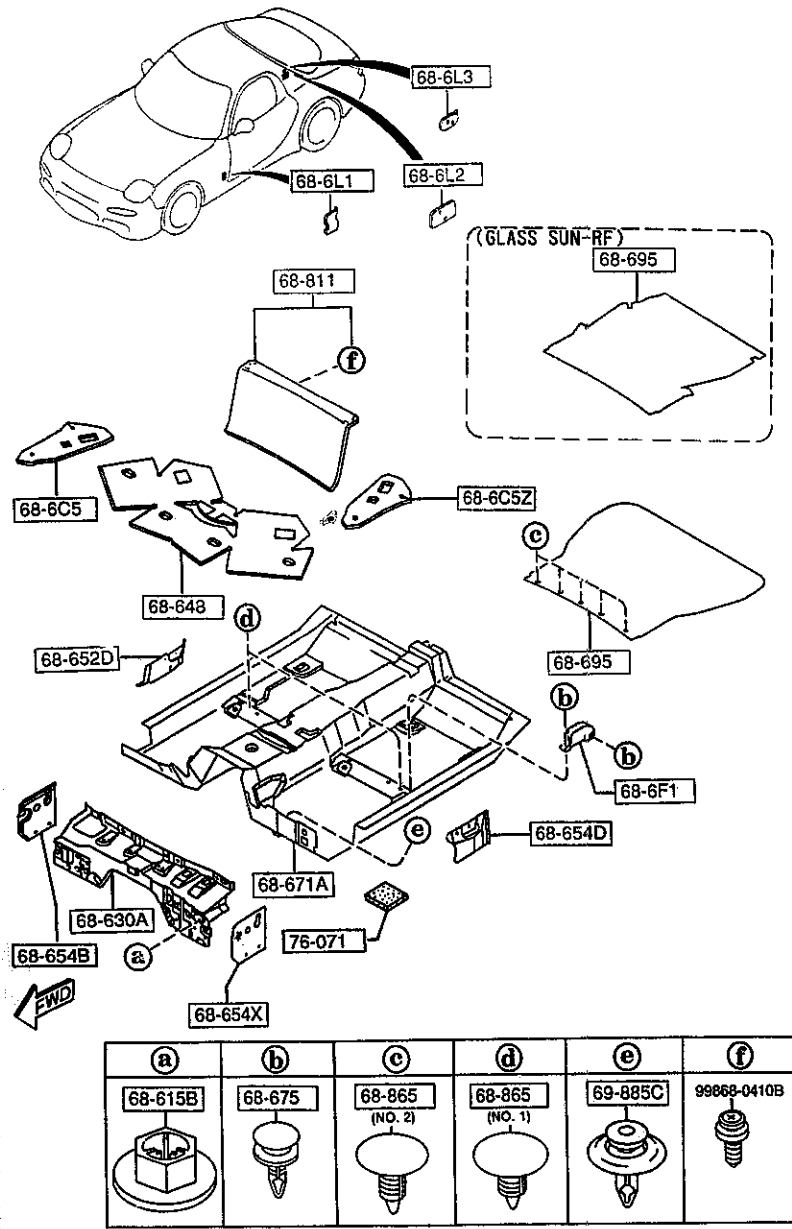
PART NO.	QTY	MODEL/RESTRICTION	MODEL/RESTRICTION	MODEL/RESTRICTION	FROM-TO
68-6C5		PAD(R),TIRE HOUSE			
FD01-68-644A	1				
68-6C5Z		PAD(L),TIRE HOUSE			
FD01-68-649A	1				
68-6F1		BEZZEL,OPENER LEVER			
FD01-68-6F6A	1				
02	INT-	FE5 BLACK			
17	INT-	FE7 RED			
33	INT-	FE6 TAN			
68-6L1		COVER'A',HOLE			
FD01-68-6L1A	2				
68-6L2		COVER'B',HOLE			
FD01-68-6L2A	2				
68-6L3		COVER'C',HOLE			
FD01-68-6L3A	2				
68-615B		NUT,FLANGE-CAP			
B100-68-615	8				
68-630A		INSULATOR,DASHBOARD			
FD01-68-63XE	1	(W/O SUN ROOF) (W/STEEL SUN ROOF)			
FD05-68-63XE	1	(W/GLASS SUN ROOF)			
68-648		PAD,REAR SEAT			
FD01-68-648	1	(W/O SUN ROOF) (W/STEEL SUN ROOF)			
FD05-68-648	1	(W/GLASS SUN ROOF)			
68-652D		INSULATOR(R),F.FLOOR			
FD01-68-6N6	1				
68-654B		INSULATOR(R),COWL SIDE			
FD01-68-6A1	1				

CAT. AUFA06-04

1997-01



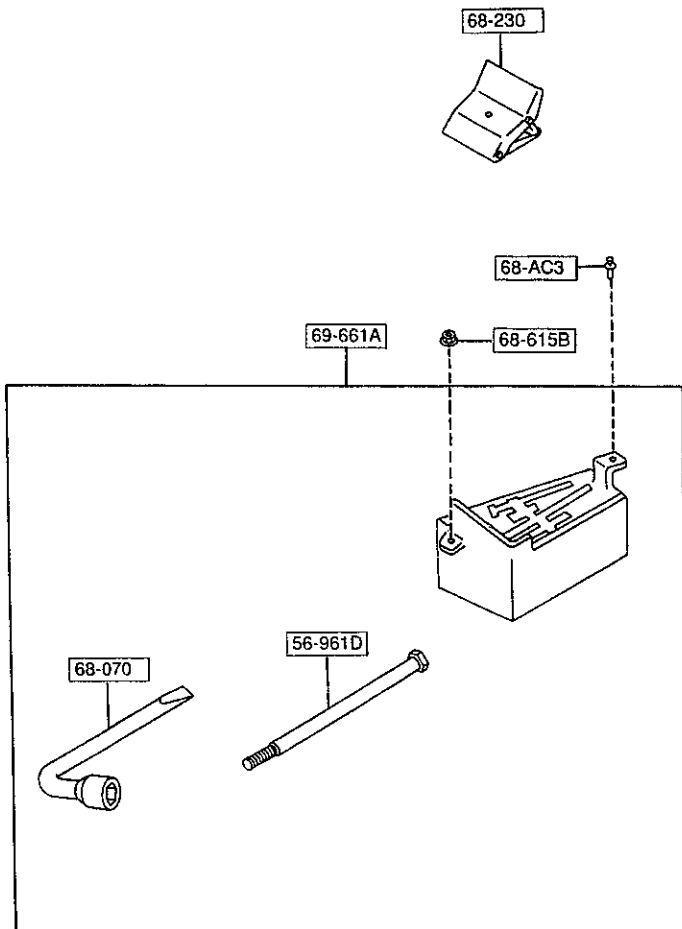
PART NO.	QTY	MODEL/RESTRICTION	MODEL/RESTRICTION	MODEL/RESTRICTION	FROM-TO
68-654D		INSULATOR(L),F.FLOOR			
FD01-68-6N7	1				
68-654X		INSULATOR(L),COWL SIDE			
FD01-68-6A2	1				
68-671A		MAT,FLOOR			
FD01-68-670G A (FD01-68-670H)	1	BASE, R2, R3, (W/FRT WIND.WASHER)			-5228
02	INT-	FE5 BLACK			
33	INT-	FE6 TAN			
FD05-68-670G A (FD05-68-670H)	1	TOURING (W/FRT & RR WIND.WASHER)			-5228
02	INT-	FE5 BLACK			
33	INT-	FE6 TAN			
FD01-68-670H	1	BASE, R2, R3, (W/FRT WIND.WASHER)			5228-5C26
02	INT-	FE5 BLACK			
33	INT-	FE6 TAN			
FD05-68-670H	1	TOURING (W/FRT & RR WIND.WASHER)			5228-5C26
02	INT-	FE5 BLACK			
33	INT-	FE6 TAN			
*FD01-68-670J	1	BASE, R2, R3, (W/FRT WIND.WASHER)			5C26-
* 02	INT-	FE5 BLACK			
* 33	INT-	FE6 TAN			
*FD05-68-670J	1	TOURING (W/FRT & RR WIND.WASHER)			5C26-
* 02	INT-	FE5 BLACK			
* 33	INT-	FE6 TAN			
68-675		FASTENER			
B100-68-675	2				
68-695		MAT,TRUNK ROOM			
FD01-68-81X	1	(W/O SUN ROOF) (W/STEEL SUN ROOF)			
5228 FD333 -400026					
5C26 FD333 -400531					



PART NO.	QTY	MODEL/RESTRICTION	MODEL/RESTRICTION	MODEL/RESTRICTION	FROM-TO
CONT'D					
02	INT-	FE5 FE6 FE7 BLACK			-5401
04	INT-	FE5 FE6 FE7 BLACK			5401-
FD05-68-81X	1	(W/GLASS SUN ROOF)			
02	INT-	FE5 FE6 FE7 BLACK			-5401
04	INT-	FE5 FE6 FE7 BLACK			5401-
68-811		BOARD, PARTITION			
FD01-68-82X	1				
02	INT-	FE5 FE6 FE7 BLACK			
68-865		FASTENER			
BF70-68-865	2	(ILLUST. NO.1)			
00	INT-	FE5 BLACK			
17	INT-	FE7 WINE			
33	INT-	FE6 TAN			
G032-68-865A	5	(ILLUST. NO.2)			
00	INT-	FE5 FE6 FE7 BLACK			
69-885C		FASTENER			
UB54-68-885	1				
00	INT-	FE5 BLACK			
18	INT-	FE7 RED			
82	INT-	FE6 BEIGE			
76-071		SILENCER, FLOOR			
0208-76-071	1	30CMX30CM			
5401 FD333 -400028					

6870 SERVICE TOOLS

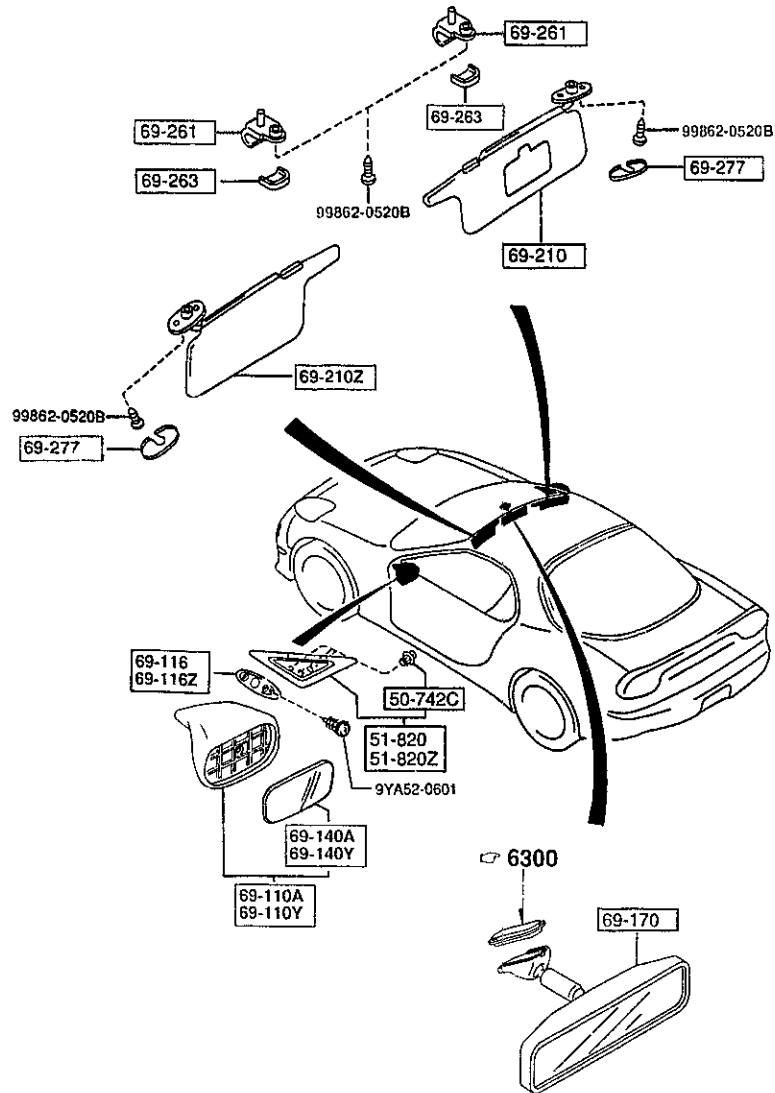
6870 -1 * SERVICE TOOLS



PART NO.	QTY	MODEL/RESTRICTION	MODEL/RESTRICTION	MODEL/RESTRICTION	FROM-TO
56-961D		BOLT			
FD01-56-961	1				
68-AC3		FASTENER			
FD01-68-AC3	1				
68-070		WRENCH, HUB NUT			
NA01-68-070	1				
68-230		STOPPER, WHEEL			
0208-68-230	1				
68-615B		NUT, FLANGE-CAP			
B100-68-615	1				
69-661A		BOX, TOOL			
FD01-69-67YA	1				

6900 SUNVISORS, ASSIST HANDLES & MIRRORS

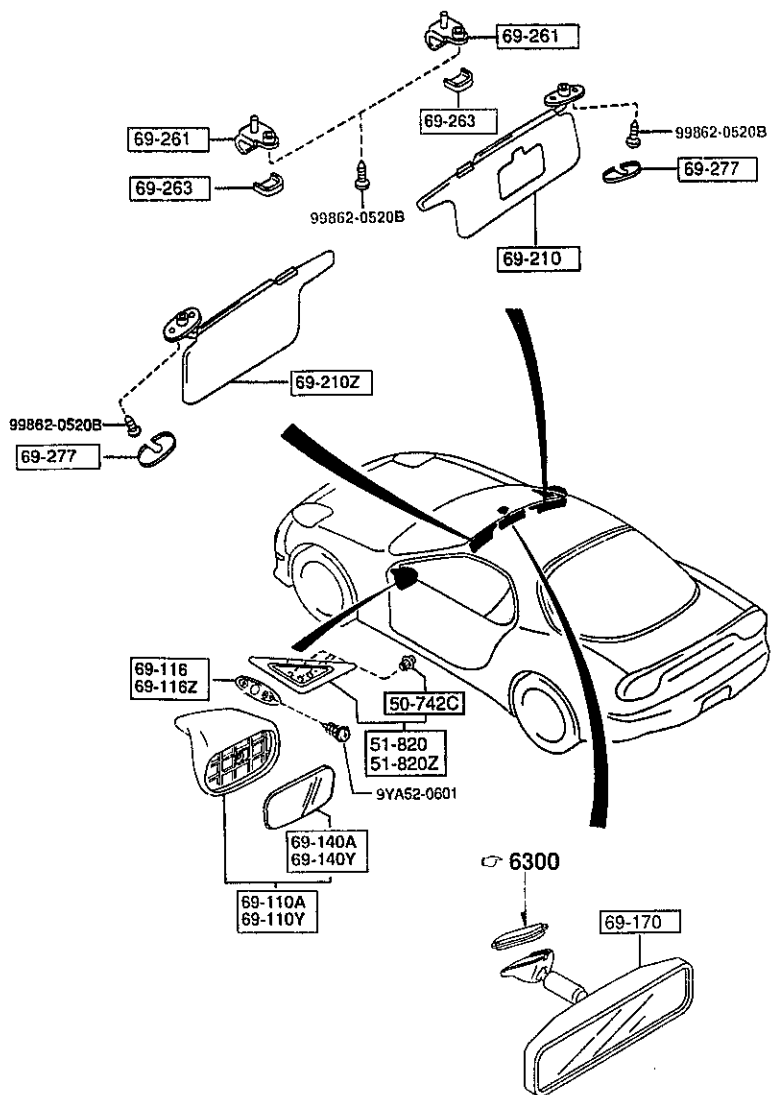
6900 -1 SUNVISORS, ASSIST HANDLES & MIRRORS



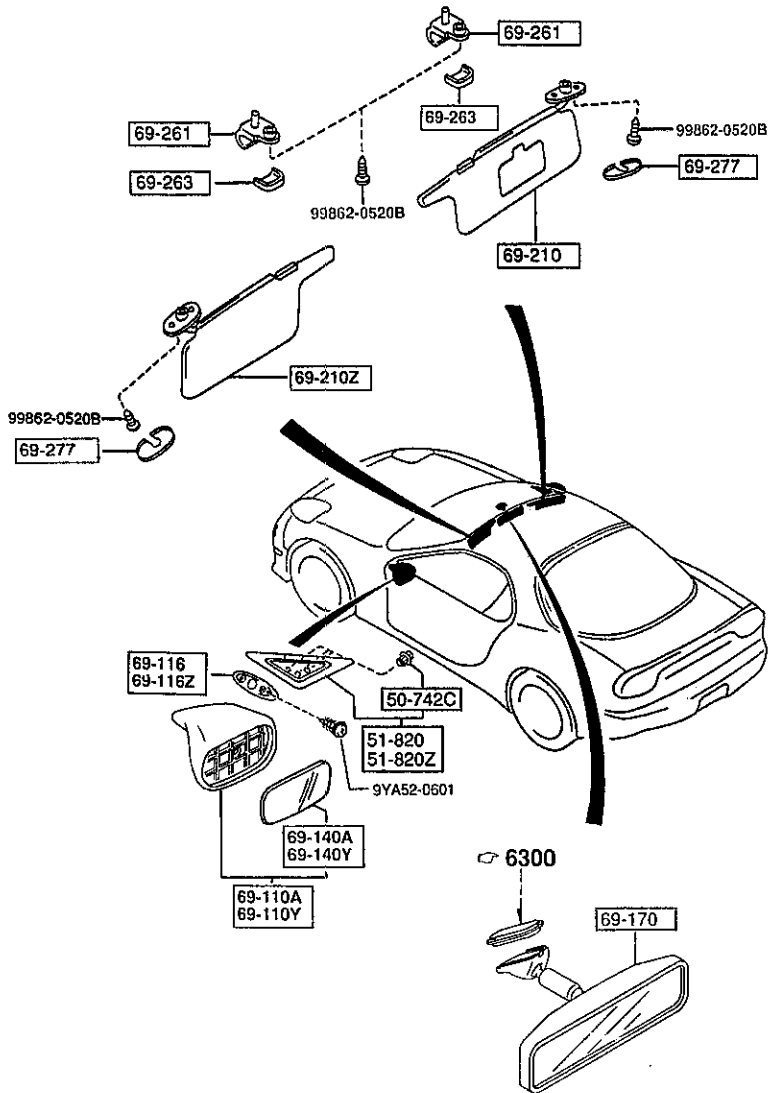
PART NO.	QTY	MODEL/RESTRICTION	MODEL/RESTRICTION	MODEL/RESTRICTION	FROM-TO
50-742C		CLIP			
G043-50-742	6				
51-820		GARNISH(R)			
FD01-50-8R0B	1				
51-820Z		GARNISH(L)			
FD01-50-8S0B	1				
69-110A		MIRROR(R),DOOR			
FD01-76-120	1				
MB	EXT-	MB 2A MONTEGO BLUE M			
NU	EXT-	NT NU VINTAGE RED			
PT	EXT-	PT VX CHAST WHITE			
PZ	EXT-	DX PZ PX BRILLIANT BLACK			
3L	EXT-	3L 4G SILVER STONE METALLIC			
69-110Y		MIRROR(L),DOOR			
FD01-76-180	1				
MB	EXT-	MB 2A MONTEGO BLUE M			
NU	EXT-	NT NU VINTAGE RED			
PT	EXT-	PT VX CHAST WHITE			
PZ	EXT-	PX PZ BRILLIANT BLACK			
3L	EXT-	3L 4G SILVER STONE METALLIC			
69-116		BASE(R),MIRROR			
FD01-69-240	1				
MB	EXT-	MB 2A MONTEGO BLUE M			
NU	EXT-	NT NU VINTAGE RED			
PT	EXT-	PT VX CHAST WHITE			
PZ	EXT-	PX PZ BRILLIANT BLACK			
3L	EXT-	3L 4G SILVER STONE METALLIC			
69-116Z		BASE(L),MIRROR			

6900 SUNVISORS, ASSIST HANDLES & MIRRORS

6900 -2 SUNVISORS, ASSIST HANDLES & MIRRORS

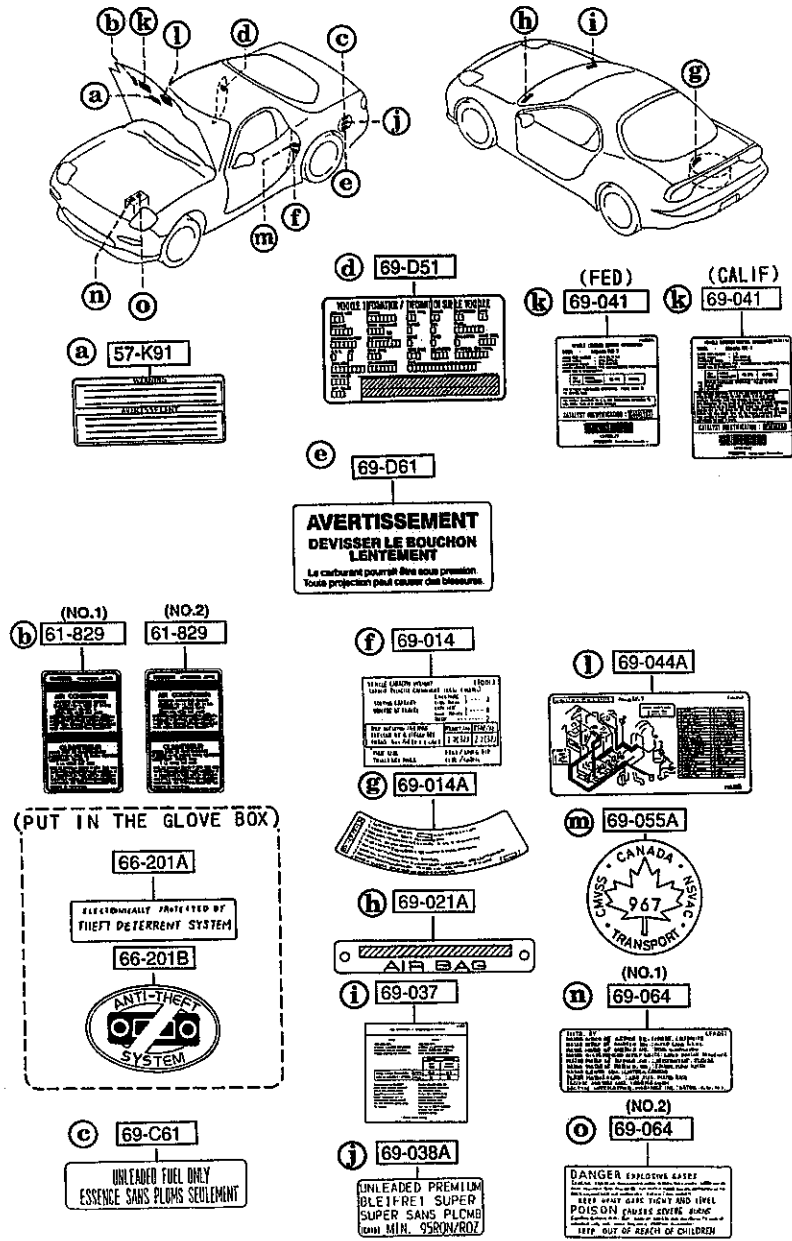


PART NO.	QTY	MODEL/RESTRICTION	MODEL/RESTRICTION	MODEL/RESTRICTION	FROM-TO
CONT'D					
FD01-69-242	1				
M8	EXT-	M8 2A MONTEGO BLUE M			
NU	EXT-	NT NU VINTAGE RED			
PT	EXT-	PT VX CHAST WHITE			
PZ	EXT-	PX PZ BRILLIANT BLACK			
3L	EXT-	3L 4G SILVER STONE METALLIC			
		↑-----↑			
		69-140A	GLASS(R),MIRROR		
		↑-----↑			
FD01-69-123	1				
		↑-----↑			
		69-140Y	GLASS(L),MIRROR		
		↑-----↑			
FD01-69-183	1				
		↑-----↑			
		69-170	MIRROR,INTERIOR		
		↑-----↑			
BC1C-69-220	1				
		↑-----↑			
		69-210	SUN VISOR(R)		
		↑-----↑			
FD31-69-270A	1	(W/O SUN ROOF)			
02	INT-	FE5 FE6 FE7 BLACK			
FD34-69-270A	1	(W/STEEL SUN ROOF) (W/GLASS SUN ROOF)			
02	INT-	FE5 FE6 FE7 BLACK			
		↑-----↑			
		69-210Z	SUN VISOR(L)		
		↑-----↑			
FD31-69-320A	1	(W/O SUN ROOF)			
02	INT-	FE5 FE6 FE7 BLACK			
FD34-69-320A	1	(W/STEEL SUN ROOF) (W/GLASS SUN ROOF)			
02	INT-	FE5 FE6 FE7 BLACK			
		↑-----↑			
		69-261	ADAPTER,SUN VISOR		
		↑-----↑			
GA5R-69-261	2				
02	INT-	FE5 FE6 FE7 BLACK			
		↑-----↑			
		69-263	COVER,CENTER ADAPTER		
		↑-----↑			
GA5R-69-263	2				
02	INT-	FE5 FE6 FE7 BLACK			



PART NO.	QTY	MODEL/RESTRICTION	MODEL/RESTRICTION	MODEL/RESTRICTION	FROM-TO
69-277		COVER, SUN VISOR			
GA5R-69-277	2				
02	INT-	FES FE6 FE7 BLACK			

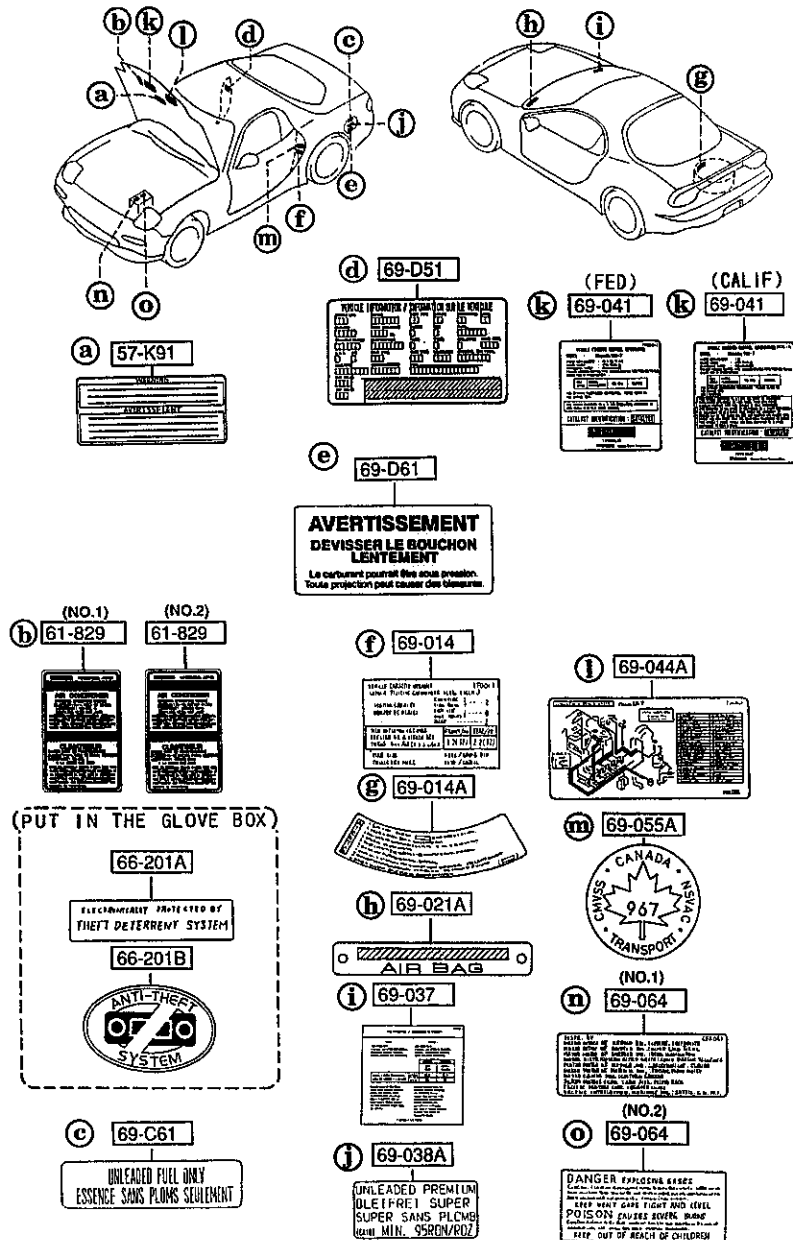
6930 CAUTION PLATES & LABELS



6930 -1 CAUTION PLATES & LABELS

PART NO.	QTY	MODEL/RESTRICTION	MODEL/RESTRICTION	MODEL/RESTRICTION	FROM-TO
57-K91		LABEL 'A', CAUTION-A/B			
KA78-57-K91	1				
61-829		LABEL, CAUTION			
FD15-61-439	1	(ILLUST. NO.1) (W/AIR CON.)			
FD16-61-439B	1	(A) (ILLUST. NO.2)			
66-201A		LABEL, BURGLAR ALARM			
FB01-66-201	1				
66-201B		LABEL, ANTI THEFT-AUD IO			
NA01-66-201	1				
69-C61		LABEL, UNLEADED FUEL			
UB40-69-C61	1				
69-D51		LABEL, VEHICLE INFORM ATION VIN NO. IS REQUIRED			
B001-69-D51	1				
69-D61		LABEL, FUEL WARNING			
KA10-69-D61A	1				
69-014		LABEL, TIRE			
FD01-69-014 A (FD01-69-014B)	1				
FD01-69-014B	1				
69-014A		LABEL, TEMPORARY TIRE ENGLISH			
FD03-69-074A	1				
FD04-69-074	1	FRENCH			
69-021A		PLATE, CAUTION			
NA01-69-068A	1				
69-037		LABEL, FUEL ECONOMY (N/FUEL CONSUMPTION LABEL) (NT)			
N3E3-69-042	1				
4A01 FD333 -408014					

-4A01
4A01-



AUFA06

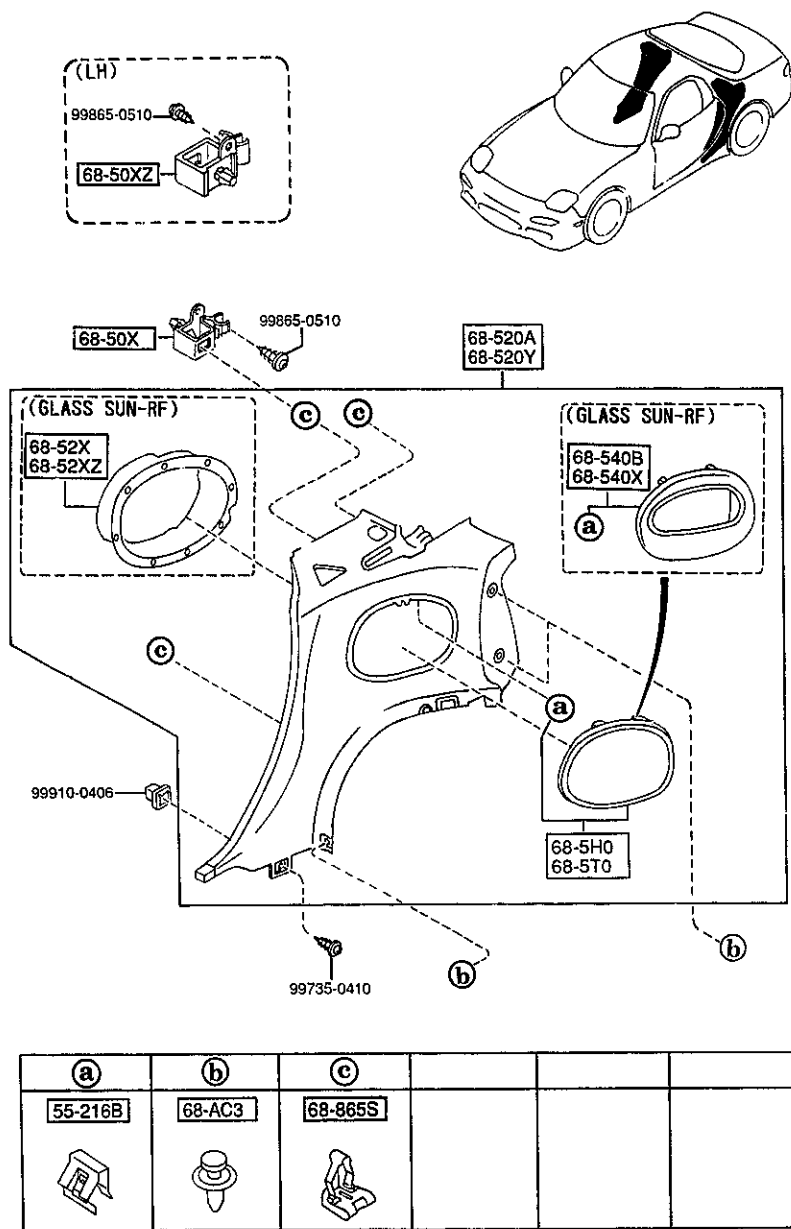
PART NO.	QTY	MODEL/RESTRICTION	MODEL/RESTRICTION	MODEL/RESTRICTION	FROM-TO
69-038A		LABEL, GASOLINE			
HG30-69-065	1				
69-041		LABEL, EMISSION			
N3D8-69-036A	1 (FED.) (MT)				
N3D9-69-036A	1 (FED.) (AT)				
N3E1-69-036A	1 (CALIF.) (MT)				
N3E2-69-036A	1 (CALIF.) (AT)				
69-044A		LABEL, VAC. DIAPHRAGM			
N3D8-69-044	1				
69-055A		LABEL, SAFETY PANEL			
FA11-69-C31	1 (W/SAFETY LABEL)				
69-064		LABEL, BATTERY			
FA03-69-C72A	1 (ILLUST. NO. 1) (W/BATTERY LABEL)				
FA01-69-064A	1 (ILLUST. NO. 2) (W/BATTERY LABEL)				

CAT. AUFA06-04

1997-01

7250 QUARTER WINDOW & TRIMS

7250 -1 QUARTER WINDOW & TRIMS



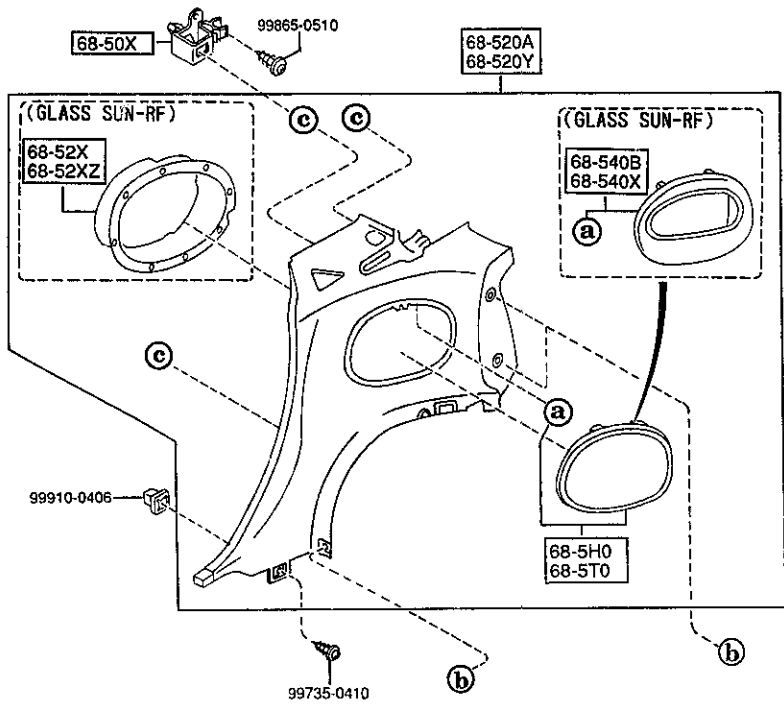
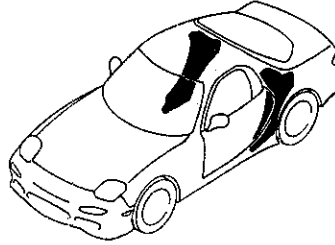
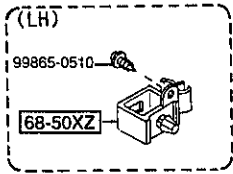
PART NO.	QTY	MODEL/RESTRICTION	MODEL/RESTRICTION	MODEL/RESTRICTION	FROM-TO
55-216B		SPRING,CENTER PANEL			
B092-55-257	4				
68-AC3		FASTENER			
B467-68-AC3	6				
02	INT-	FE5 FE6 FE7 BLACK			
68-5H0		GRILLE(R),SPEAKER			
FD01-68-5H0B	1	(W/O SUN ROOF) (W/STEEL SUN ROOF)			
02	INT-	FE5 FE6 FE7 BLACK			
68-5T0		GRILLE(L),SPEAKER			
FD01-68-5W0B	1	(W/O SUN ROOF) (W/STEEL SUN ROOF)			
02	INT-	FE5 FE6 FE7 BLACK			
68-50X		BRACKET(R),QUARTER T RIM			
FD01-68-505	1				
68-50XZ		BRACKET(L),QUARTER T RIM			
FD01-68-509	1				
68-52X		POCKET(R),QTR. TRIM			
FD05-68-5C1	1	(W/GLASS SUN ROOF)			
02	INT-	FE5 FE6 FE7 BLACK			
68-52XZ		POCKET(L),QTR. TRIM			
FD05-68-5N1	1	(W/GLASS SUN ROOF)			
02	INT-	FE5 FE6 FE7 BLACK			
68-520A		TRIM(R),QUARTER			
FD01-68-520H	1	(W/O SUN ROOF) (W/STEEL SUN ROOF)			
02	INT-	FE5 FE6 FE7 BLACK			
FD05-68-520F	1	(W/GLASS SUN ROOF)			
02	INT-	FE5 FE6 FE7 BLACK			
68-520Y		TRIM(L),QUARTER			
FD01-68-550H	1	(W/O SUN ROOF) (W/STEEL SUN ROOF)			

AUFA06

CAT. AUFA06-04

1997-01

7250 QUARTER WINDOW & TRIMS



a	b	c			
55-216B	68-AC3	68-865S			

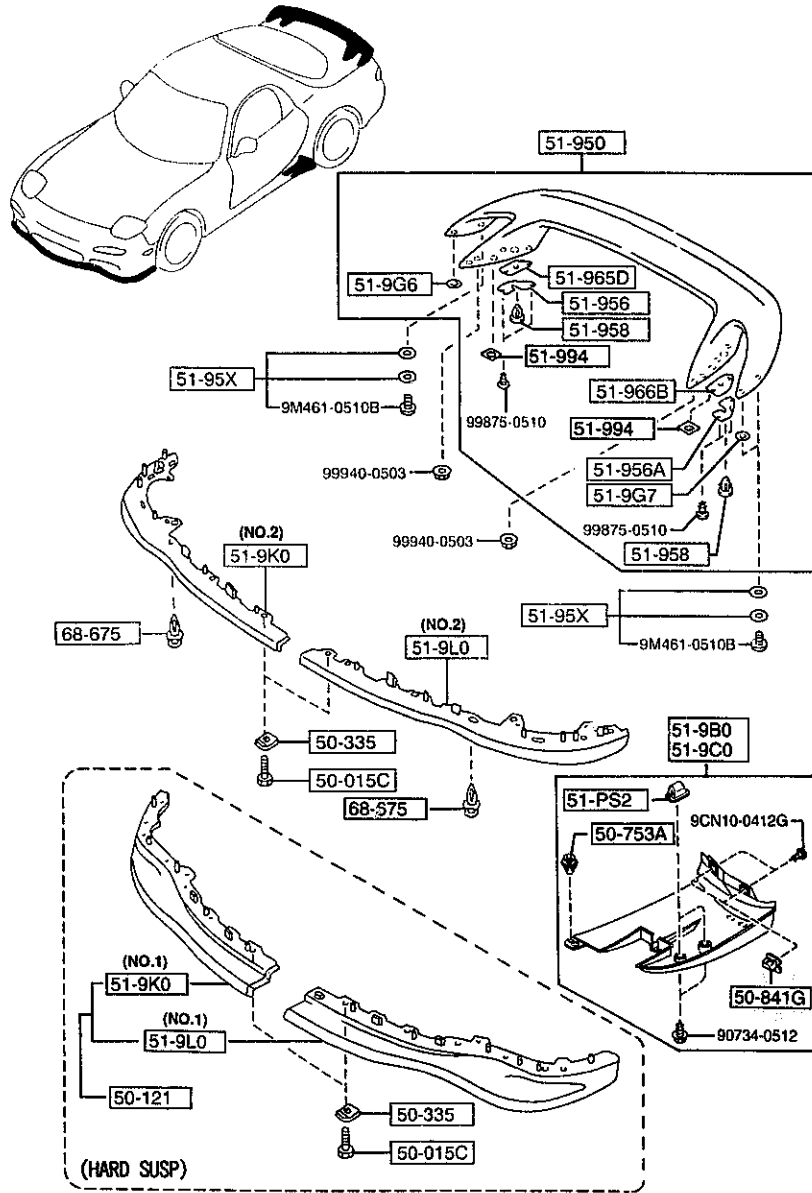
7250 -2 * QUARTER WINDOW & TRIMS

PART NO.	QTY	MODEL/RESTRICTION	MODEL/RESTRICTION	MODEL/RESTRICTION	FROM-TO
CONT'D					
02	INT-	FE5 FE6 FE7 BLACK			
FD05-68-550F	1	(W/GLASS SUN ROOF)			
02	INT-	FE5 FE6 FE7 BLACK			
68-540B		COVER(R),QTR. TRIM			
FD05-68-5CX	1	(W/GLASS SUN ROOF)			
02	INT-	FE5 FE6 FE7 BLACK			
68-540X		COVER(L),QTR. TRIM			
FD05-68-5NX	1	(W/GLASS SUN ROOF)			
02	INT-	FE5 FE6 FE7 BLACK			
68-865S		CLIP,TRIM			
GJ12-68-865	18				

AUFA06

CAT. AUFA06-04

1997-01

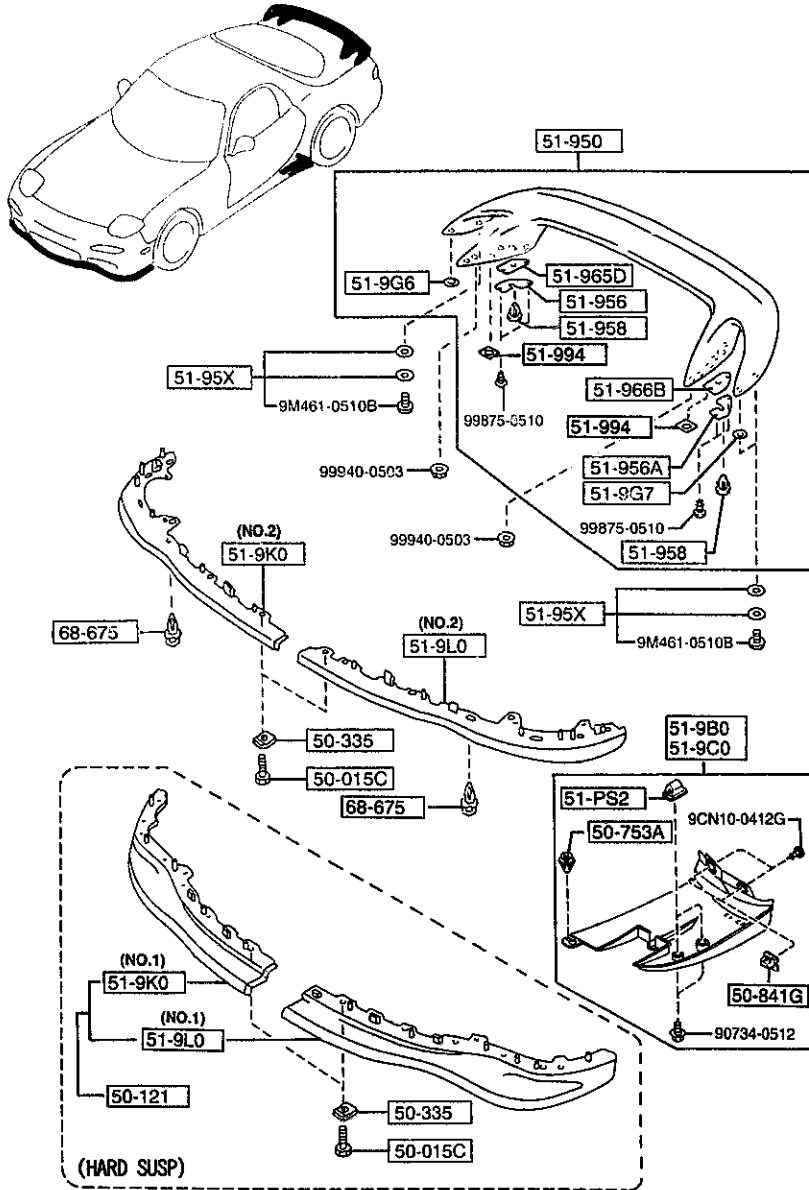


PART NO.	QTY	MODEL/RESTRICTION	MODEL/RESTRICTION	MODEL/RESTRICTION	FROM-TO
50-015C		BOLT			
BR70-50-022	10				
50-121		DAM,AIR-SKIRT			
FD03-51-9H0	1	(HARD SUSP)			
50-335		NUT,CLIP			
FB01-50-133C	10				
50-753A		FASTENER			
G043-50-753	2				
50-841G		GROMMET,SCREW			
F044-51-912	4				
51-PS2		SCREW,GROMMET			
FC17-51-PS2A	4				
51-9B0		SPOILER(R),SIDE			
FD01-51-9B0B	1				
51-9C0		SPOILER(L),SIDE			
FD01-51-9C0B	1				
51-966		GASKET(R),SPOILER			
FD03-51-966	1	(HARD SUSP)			
51-967		GASKET(L),SPOILER			
FD03-51-967	1	(HARD SUSP)			
51-9K0		SKIRT(R),FRONT AIR D AM			
FD03-51-9H1A	1	(ILLUST. NO.1) (HARD SUSP)			
FD01-51-9K1	1	(ILLUST. NO.2)			
51-9L0		SKIRT(L),FRONT AIR D AM			
FD03-51-9H2A	1	(ILLUST. NO.1) (HARD SUSP)			
FD01-51-9L1	1	(ILLUST. NO.2)			
51-95X		SCREW SET			

AUFA06

CAT. AUFA06-04

1997-01



PART NO.	QTY	MODEL/RESTRICTION	MODEL/RESTRICTION	MODEL/RESTRICTION	FROM-TO
CONT'D					
BWIN-51-95X	4	(HARD SUSP)			
51-950		SPOILER, REAR			
FD03-51-960C	1	(HARD SUSP)			
MB	EXT-	MB 2A MONTEGO BLUE M			
NU	EXT-	NT NU VINTAGE RED			
PT	EXT-	PT VX CHAST WHITE			
PZ	EXT-	PX PZ BRILLIANT BLACK			
3L	EXT-	3L 4G SILVER STONE METALLIC			
51-956		BRACKET(R), SPOILER			
FD03-51-965	1	(HARD SUSP)			
51-956A		BRACKET(L), SPOILER			
FD03-51-966	1	(HARD SUSP)			
51-958		CLIP, SPOILER			
B459-51-958	2	(HARD SUSP)			
51-965D		GASKET(C), SPOILER			
FD03-51-938A	1	(HARD SUSP)			
51-966B		GASKET, SPOILER			
FD03-51-9G9A	1	(HARD SUSP)			
51-994		GASKET, RR SPOILER			
FD03-51-994	1	(HARD SUSP)			
68-675		FASTENER			
B100-68-675	2				
00	EXT-	MB NT NU N6 PT PX PZ VX 2A 3L 4G BLACK			

AUFA06

CAT. AUFA06-04

1997-01