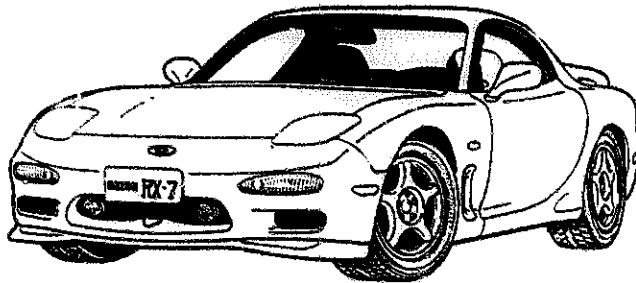


# Parts Catalog

Mazda RX-7  
U.S.A.  
(93)



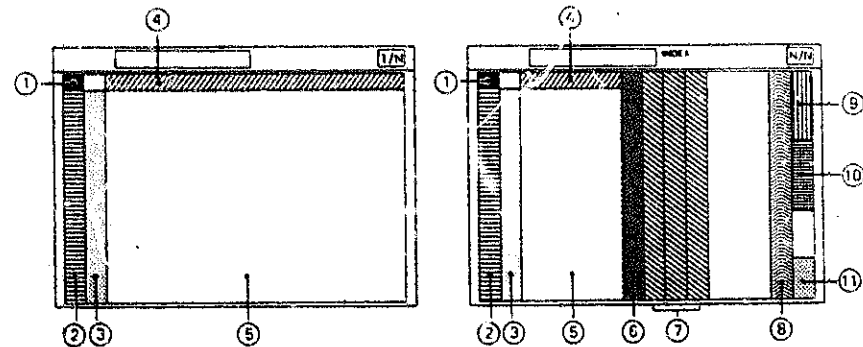
FD3 \*\*\*-200001-300000

Oct. '94 (FINAL)  
Catalog No. AU-FA04-06

**mazda**  
© 1994 Mazda Motor Corporation

## LAYOUT OF CONTENTS / DISPOSITION TYPOGRAPHIQUE DE CONTENU / DISPOSICION DEL CONTENIDO / ANORDNUNG DES INHALTS


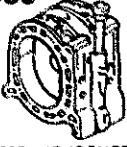

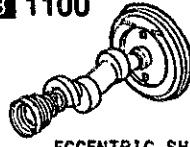


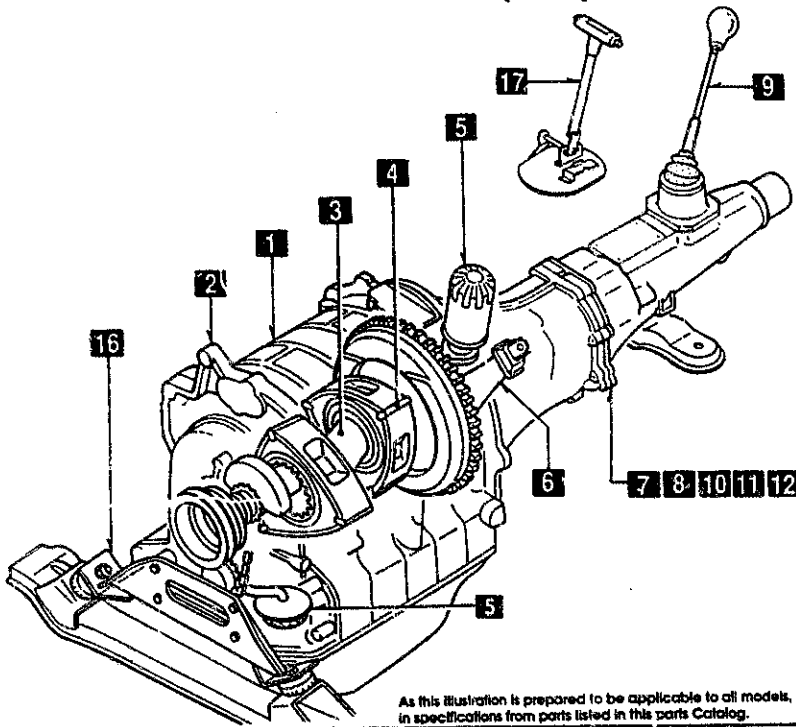


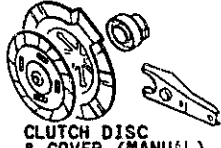
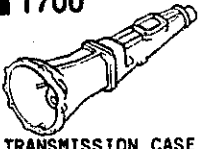


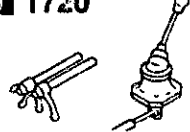
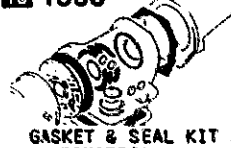
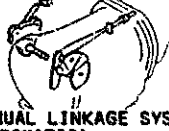
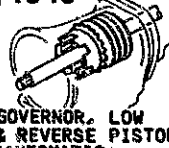
- The following is a typical example of the layout of contents on Mazda microfiche parts catalog.
- Voici un exemple typique de la disposition typographique de contenu dans les microfiches de catalogue des pièces de Mazda.
- El siguiente es un ejemplo típico de la disposición del contenido en una microficha del catálogo de repuestos de Mazda.
- Folgendes ist ein typisches Beispiel der Inhaltsanordnung des Mazda-Mikrofiche-Teilekatalogs.



Remark: The items listed under ④ have been deleted from each fiche since Dec. '93






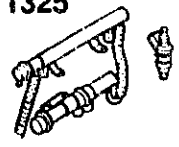
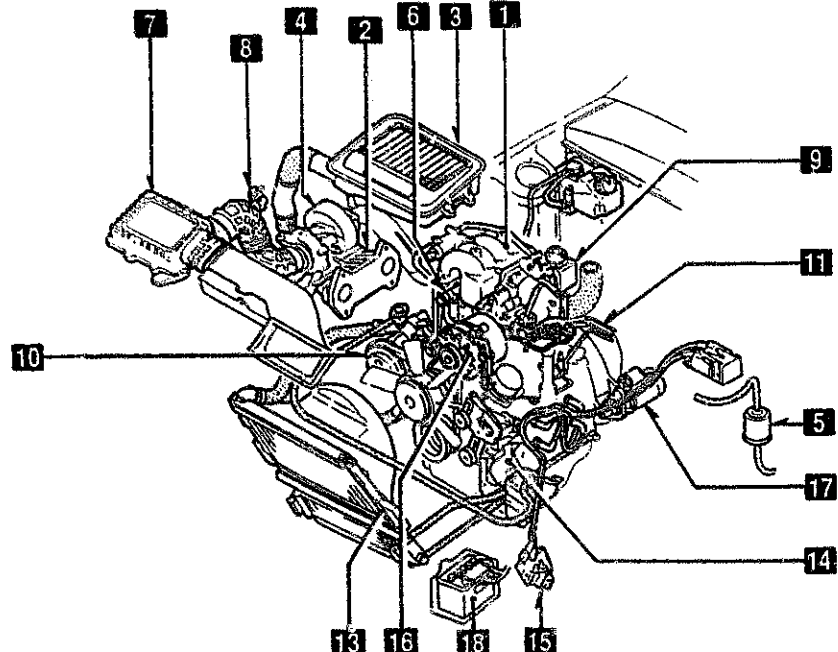
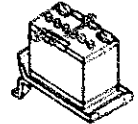



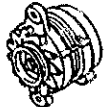
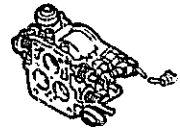
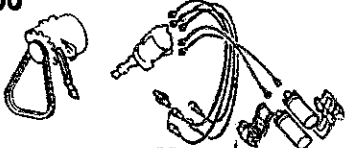

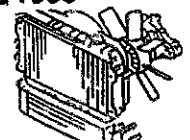
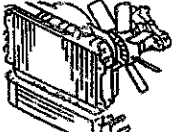
- |  |   |   |
|--|---|---|
| ① • Layout of contents<br>• Disposition Typographique de Contenu<br>• Disposición del contenido<br>• Anordnung des Inhalts   | ② • Pictorial Index<br>• Index par Schémas<br>• Índice Gráfico<br>• Illustrierter Index                           | ③ • Master Section No. Index<br>• Index des Numéros des Sections Totale<br>• Índice del Número de la Sección Maestra<br>• Hauptabschnittsnummer-Index       |
| <del>④ • Section No. Index for the Column<br/>• Index des Numéros des Sections pour les Colonnes<br/>• N° de la Sección para el Índice<br/>• Abschnittsnummer-Index für die Spalte</del> | ⑤ • Illustration & Text<br>• Illustrations et Textes<br>• Ilustración y Texto<br>• Abbildung und Text             | ⑥ • Part No. Index<br>• Index des Numéros des Pièces<br>• Índice del N° de Pieza<br>• Teile-Nr.-Index   |
| ⑦ • Alphabetical Index<br>• Index Alphabétique<br>• Índice Alfabético<br>• Alphabetischer Index  | ⑧ • Model Identification<br>• Identification des Modèles<br>• Identificación del Modelo<br>• Modell-Kennzeichnung | ⑨ • Vehicle Identification System<br>• Système d'Identification de Véhicule<br>• Sistema de Identificación de Vehículo<br>• Fahrzeug-Identifikations-system |

## PICTORIAL INDEX

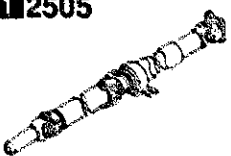



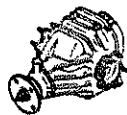



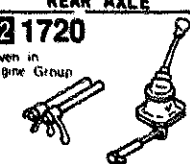
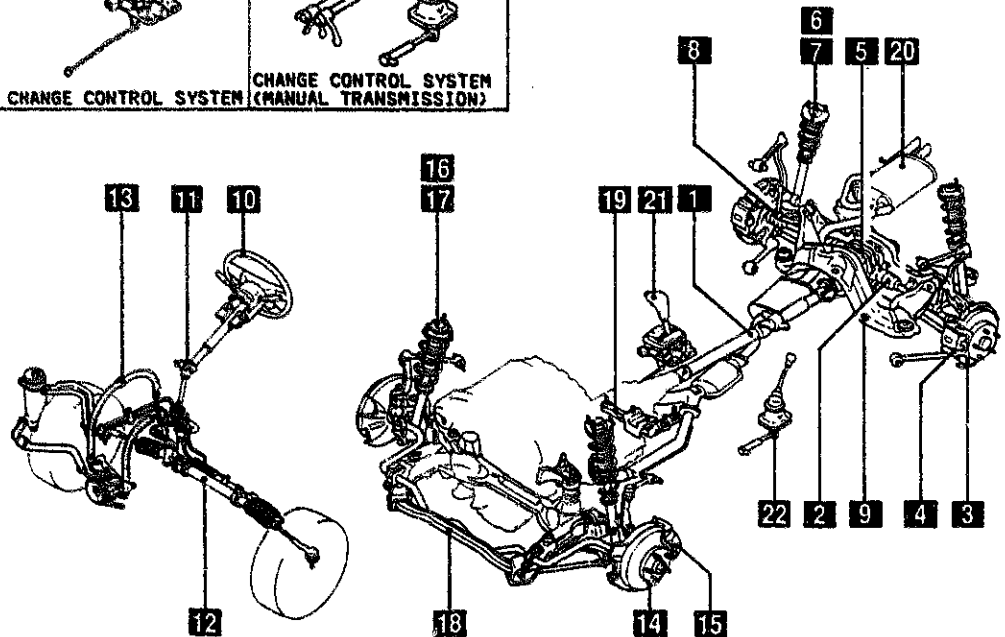


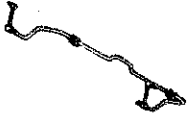


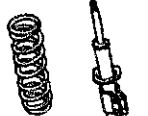







<p><b>1000</b></p>  <p style="text-align: center;"><b>1030</b></p>  <p style="text-align: center;">ROTOR HOUSINGS</p>	<p><b>2</b> 1040</p>  <p style="text-align: center;">OIL PAN, FRONT &amp; REAR HOUSING</p>	<p><b>3</b> 1100</p>  <p style="text-align: center;">ECCENTRIC SHAFT &amp; FLYWHEEL</p>	<p><b>4</b> 1110</p>  <p style="text-align: center;">ROTORs &amp; RELATED PARTS</p>	<p><b>5</b> 1400</p>  <p style="text-align: center;">OIL PUMP &amp; FILTER</p>	
<h3 style="margin: 0;">ENGINE (1/2)</h3> 					
<p style="text-align: center;">ENGINE &amp; GASKET SETS</p> <p><b>17</b> 4600</p> <p style="font-size: small;">Given in Chassis Group</p>  <p style="text-align: center;">CHANGE CONTROL SYSTEM (AT)</p>	<p><b>16</b> 3900</p> <p style="font-size: small;">Given in Chassis Group</p>  <p style="text-align: center;">ENGINE &amp; TRANSMISSION MOUNTINGS</p>			<p><b>6</b> 1600</p>  <p style="text-align: center;">CLUTCH DISC &amp; COVER (MANUAL)</p>	<p><b>7</b> 1700</p>  <p style="text-align: center;">TRANSMISSION CASE (MANUAL)</p>
<p><b>16</b> 3900</p> <p style="font-size: small;">Given in Chassis Group</p>  <p style="text-align: center;">ENGINE &amp; TRANSMISSION MOUNTINGS</p>				<p><b>8</b> 1710</p>  <p style="text-align: center;">TRANSMISSION GEARS (MANUAL)</p>	<p><b>9</b> 1720</p>  <p style="text-align: center;">CHANGE CONTROL SYSTEM (MANUAL)</p>
<p><b>15</b> 1960</p>  <p style="text-align: center;">GASKET &amp; SEAL KIT (AUTOMATIC)</p>				<p><b>14</b> 1950</p>  <p style="text-align: center;">MANUAL LINKAGE SYSTEM (AUTOMATIC)</p>	<p><b>13</b> 1940</p>  <p style="text-align: center;">GOVERNOR, LOW &amp; REVERSE PISTON (AUTOMATIC)</p>

As this illustration is prepared to be applicable to all models, some parts are different in specifications from parts listed in this parts Catalog.



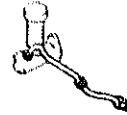

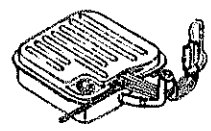

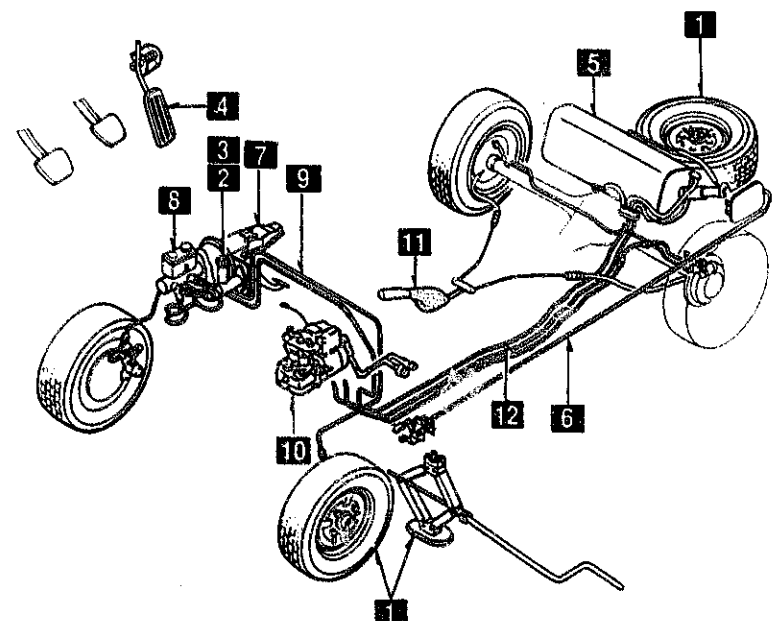
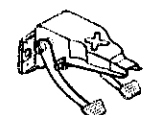
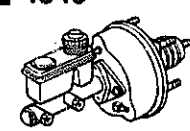

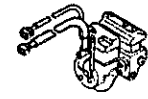


## PICTORIAL INDEX

<b>1 1300</b>  INLET MANIFOLD	<b>2 1310</b>  EXHAUST MANIFOLD	<b>3 1311</b>  INTER COOLER	<b>4 1312</b>  TURBO CHARGER	<b>5 1320</b>  FUEL SYSTEM	<b>6 1325</b>  FUEL DISTRIBUTOR
<h3 style="margin: 0;">ENGINE (2/2)</h3> 					
<b>18 1850</b>  BATTERY					<b>7 1330</b>  AIR CLEANER
<b>17 1840</b>  STARTER					<b>8 1313</b>  TWIN TURBO AIR INTAKE SYSTEM
<b>16 1830</b>  ALTERNATOR					<b>9 1364</b>  THROTTLE BODY
As this illustration is prepared to be applicable to all models, some parts are different in specifications from parts listed in this parts Catalog.					
<b>15 1800</b>  ENGINE ELECTRICAL SYSTEM	<b>14 1580</b>  BRACKET, PULLEY & BELT	<b>13 1500</b>  COOLING SYSTEM			<b>11 1380</b>  EMISSION CONTROL SYSTEM

## PICTORIAL INDEX



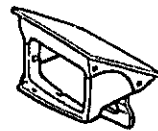
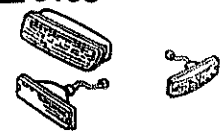
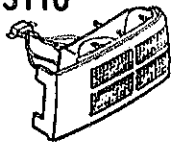

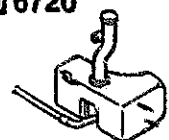
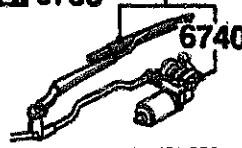

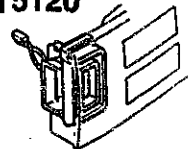

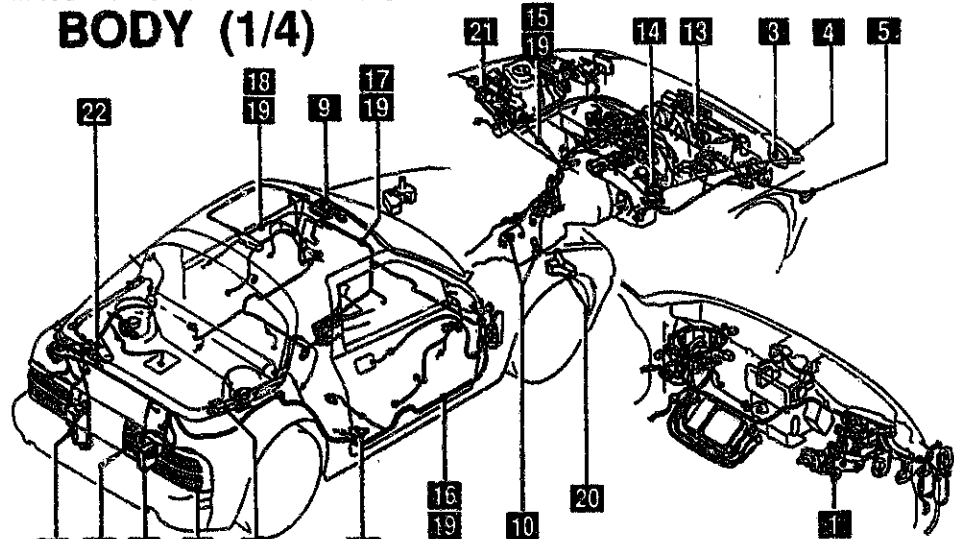
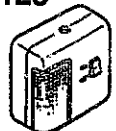
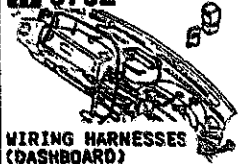


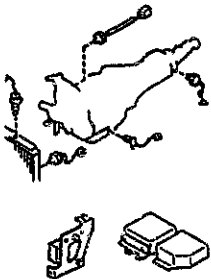


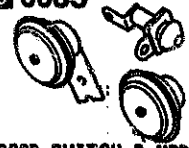

<p><b>1 2505</b></p>  <p>REAR PROPELLER SHAFT</p>	<p><b>2 2550</b></p>  <p>REAR DRIVE SHAFT</p>	<p><b>3 2600</b></p>  <p>REAR AXLE</p>	<p><b>4 2610</b></p>  <p>REAR BRAKE MECHANISMS</p>	<p><b>5 2710</b></p>  <p>REAR DIFFERENTIALS</p>	<p><b>6 2800</b></p>  <p>REAR SUSPENSION MECHANISMS</p>			
<p><b>20 4000</b></p>  <p>EXHAUST SYSTEM</p>	<p><b>21 4600</b></p>  <p>CHANGE CONTROL SYSTEM</p>	<p><b>22 1720</b> Given in Engine Group</p>  <p>CHANGE CONTROL SYSTEM (MANUAL TRANSMISSION)</p>	<h3 style="margin: 0;">CHASSIS (1/2)</h3> 		<p><b>7 2801</b></p>  <p>REAR SPRING &amp; DAMPER</p>			
<p><b>19 3900</b></p>  <p>ENGINE &amp; T/MISSION MOUNTINGS</p>	<p><b>13 11 10</b></p> <p><b>16 17</b></p> <p><b>19 21 1</b></p> <p><b>12 13</b></p> <p><b>14 15</b></p> <p><b>22 2 9 4 3</b></p>			<p><b>8 2810</b></p>  <p>REAR STABILIZER</p>	<p><b>9 2830</b></p>  <p>REAR LOWER ARMS &amp; SUB FRAME</p>			
<p><b>18 3410</b></p>  <p>CROSSMEMBER &amp; STABILIZER</p>				<p><b>17 3401</b></p>  <p>FRONT SPRING &amp; DAMPER</p>	<p><b>10 3200</b></p>  <p>STEERING WHEEL</p>			
<p><b>16 3400</b></p>  <p>FRONT SUSPENSION MECHANISMS</p>				<p><b>15 3310</b></p>  <p>FRONT BRAKE MECHANISMS</p>	<p><b>14 3300</b></p>  <p>FRONT AXLE</p>	<p><b>13 3240</b></p>  <p>POWER STEERING SYSTEM (FRONT)</p>	<p><b>12 3220</b></p>  <p>STEERING GEAR</p>	<p><b>11 3210</b></p>  <p>STEERING COLUMN &amp; SHAFTS</p>
<p>As this illustration is prepared to be applicable to all models, some parts are different in specifications from parts listed in this parts Catalog.</p>								

## PICTORIAL INDEX










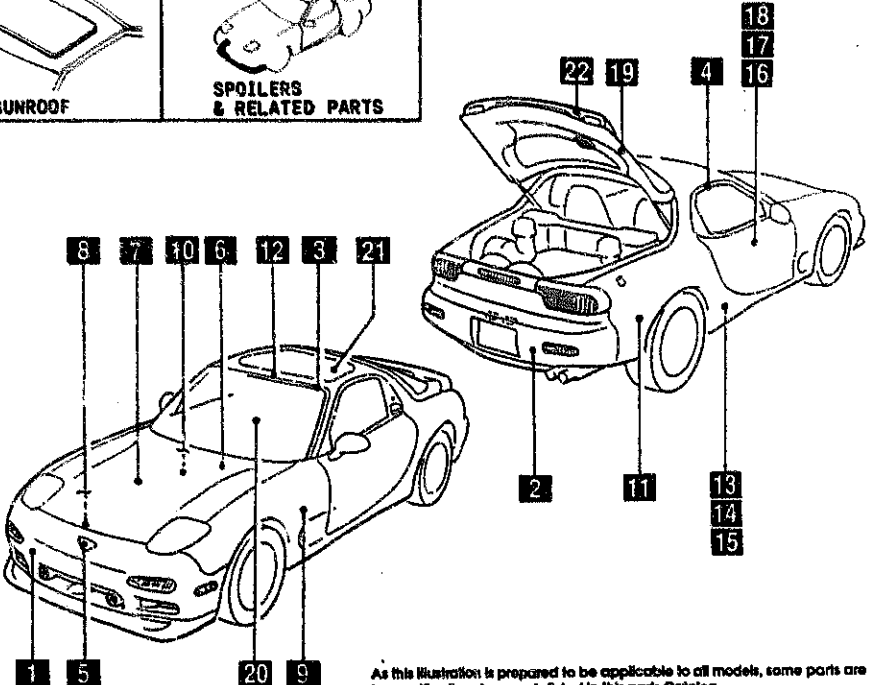


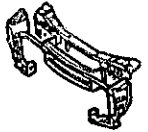



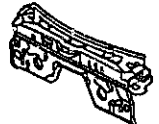




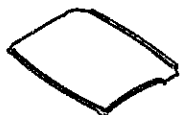
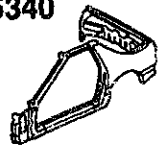
<b>1 3700</b>  TIRES & JACK	<b>2 4140</b>  CLUTCH RELEASE & MASTER CYLINDERS	<b>3 4145</b>  CLUTCH PIPINGS	<b>4 4160</b>  ACCELERATOR CONTROL SYSTEM	<b>5 4200</b>  FUEL TANK	<b>6 4210</b>  FUEL LID OPENER
<h3 style="margin: 0;">CHASSIS (2/2)</h3> 					
					<b>7 4300</b>  CLUTCH & BRAKE PEDALS
					<b>8 4340</b>  BRAKE MASTER CYLINDER & POWER BRAKE
					<b>9 4360</b>  BRAKE PIPINGS
					<b>10 4370</b>  ANTILOCK BRAKE SYSTEM
				<b>12 4500</b>  FUEL PIPINGS	<b>11 4400</b>  PARKING BRAKE SYSTEM

As this illustration is prepared to be applicable to all models, some parts are different in specifications from parts listed in this parts Catalog.

## PICTORIAL INDEX

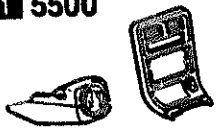
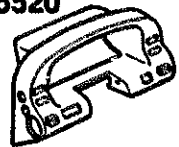
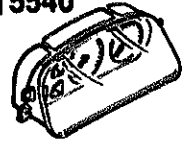
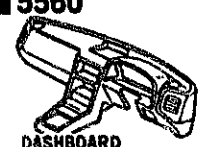
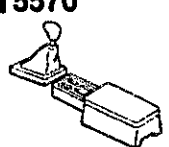
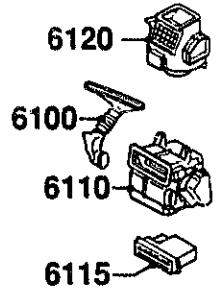

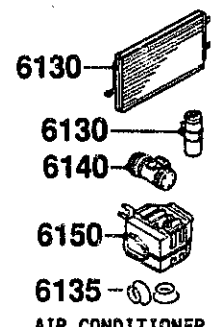
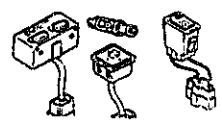

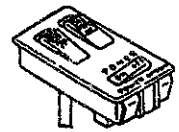
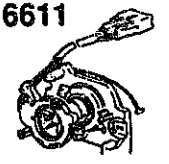
<p><b>1 0900</b></p>  <p style="text-align: center;">KEY SETS</p>	<p><b>2</b></p>	<p><b>3 5100</b></p>  <p style="text-align: center;">HEAD LAMPS</p>	<p><b>4 5103</b></p>  <p style="text-align: center;">HEAD LAMP RETRACTORS</p>	<p><b>5 5105</b></p>  <p style="text-align: center;">FRONT COMBINATION LAMPS</p>	<p><b>6 5110</b></p>  <p style="text-align: center;">REAR COMBINATION LAMPS</p>
<p><b>19 6704</b></p>  <p style="text-align: center;">WIRING HARNESS CLAMPS</p>	<p><b>20 6720</b></p>  <p style="text-align: center;">WINDSHIELD WASHER</p>	<p><b>21 6730</b></p>  <p style="text-align: center;">WINDSHIELD WIPERS</p>	<p><b>22 6750</b></p>  <p style="text-align: center;">WINDOW WIPER &amp; WASHER (REAR)</p>	<p><b>7 5120</b></p>  <p style="text-align: center;">LICENSE LAMPS</p>	
<p><b>18 6703</b></p>  <p style="text-align: center;">WIRING HARNESSES (DOOR, FLOOR/CEILING)</p>	<p><b>BODY (1/4)</b></p>  <p style="text-align: center; font-size: small;">As this illustration is prepared to be applicable to all models, some parts are different in specifications from parts listed in this parts Catalog.</p>				<p><b>8 5125</b></p>  <p style="text-align: center;">INTERIOR LAMPS</p>
<p><b>17 6702</b></p>  <p style="text-align: center;">WIRING HARNESSES (DASHBOARD)</p>					<p><b>9 5130</b></p>  <p style="text-align: center;">OVERHEAD CONSOLE</p>
<p><b>16 6700</b></p>  <p style="text-align: center;">WIRING HARNESSES (FRONT &amp; REAR)</p>					<p><b>10 6600</b></p>  <p style="text-align: center;">SWITCHES &amp; RELAYS (ENGINE)</p>
<p><b>15 6701</b></p>  <p style="text-align: center;">WIRING HARNESSES (ENGINE &amp; T/MISSION)</p>	<p><b>14 6640</b></p>  <p style="text-align: center;">AUTO CRUISE CONTROL SYSTEM</p>	<p><b>13 6635</b></p>  <p style="text-align: center;">DOOR SWITCH &amp; HORNS</p>	<p><b>12 6630</b></p>  <p style="text-align: center;">RELAYS &amp; UNIT (BODY)</p>	<p><b>11</b></p>	

## PICTORIAL INDEX

<b>1 5000</b>  FRONT BUMPER	<b>2 5010</b>  REAR BUMPER	<b>3 5030</b>  WINDOW MOULDINGS	<b>4 5040</b>  BODY MOULDINGS	<b>5 5170</b>  ORNAMENTS	<b>6 5180</b>  COWL & EXTRACTOR GRILLES
<b>20 6300</b>  WINDOW GLASSES	<b>21 6330</b>  SUNROOF	<b>22 7800</b>  SPOILERS & RELATED PARTS	<b>BODY (2/4)</b> 		<b>7 5230</b>  BONNET
<b>19 6230</b>  LIFT GATE MECHANISMS			<b>8 5310</b>  FRONT PANELS		
<b>16 5840</b>  FRONT DOOR TRIMS & RELATED PARTS			<b>9 5320</b>  FENDER & WHEEL APRON PANELS		
<b>17 5830</b>  FRONT DOOR MECHANISMS			<b>10 5330</b>  DASH & COWL PANELS		
<b>13 5800</b>  FRONT DOORS	<b>15 5390</b>  FLOOR ATTACHMENTS	<b>14 5380</b>  FLOOR ATTACHMENTS (HOLE COVERS)	<b>18 5370</b>  FLOOR PANELS	<b>12 5360</b>  ROOF PANELS	<b>11 5340</b>  SIDE PANELS




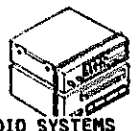
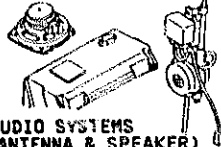
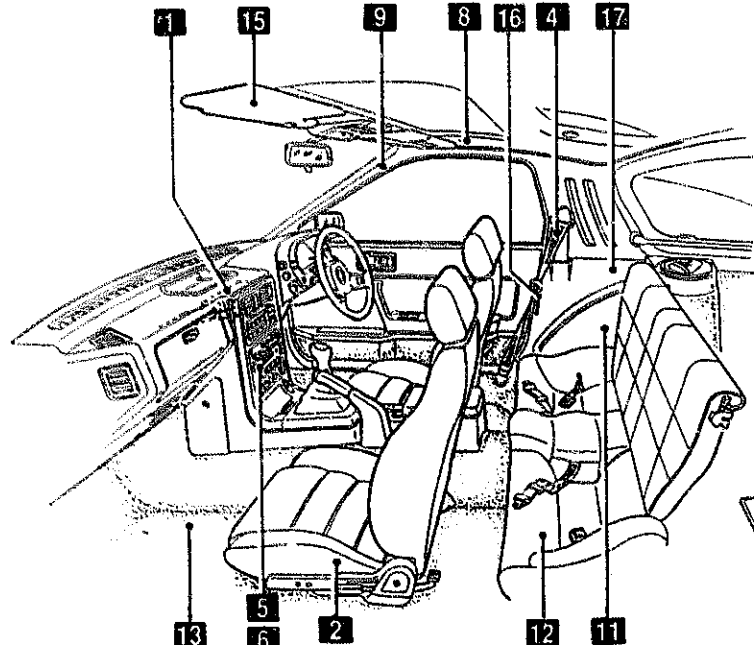
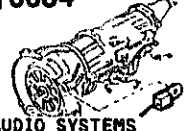





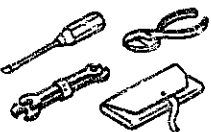
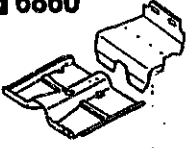


As this illustration is prepared to be applicable to all models, some parts are different in specifications from parts listed in this parts Catalog.

## PICTORIAL INDEX

<p><b>1 5500</b></p>  <p><b>DASHBOARD EQUIPMENTS</b></p>	<p><b>2 5520</b></p>  <p><b>METER HOOD</b></p>	<p><b>3 5540</b></p>  <p><b>METER COMPONENTS</b></p>	<p><b>4 5560</b></p>  <p><b>DASHBOARD &amp; RELATED PARTS</b></p>	<p><b>5 5570</b></p>  <p><b>CONSOLE</b></p>	<p><b>6</b></p>  <p><b>6120</b></p> <p><b>6100</b></p> <p><b>6110</b></p> <p><b>6115</b></p> <p><b>HEATER</b></p>		
<p><b>BODY (3/4)</b></p> 							
<p><small>As this illustration is prepared to be applicable to all models, some parts are different in specifications from parts listed in this parts Catalog.</small></p>							
<p><b>7</b></p>  <p><b>6130</b></p> <p><b>6130</b></p> <p><b>6140</b></p> <p><b>6150</b></p> <p><b>6135</b></p> <p><b>AIR CONDITIONER</b></p>							
<p><b>8 6610</b></p>  <p><b>DASHBOARD SWITCHES</b></p>							
<p><b>11 5795</b></p>  <p><b>AIR BAG</b></p>						<p><b>10 6615</b></p>  <p><b>POWER WINDOW SWITCHES</b></p>	<p><b>9 6611</b></p>  <p><b>COMBINATION SWITCH</b></p>



## PICTORIAL INDEX

<b>1 5580</b>  VENTILATOR	<b>2 5700</b>  FRONT SEATS	<b>3</b>	<b>4 5790</b>  SEAT BELTS	<b>5 6680</b>  AUDIO SYSTEMS (RADIO & TAPE DECK)	<b>6 6682</b>  AUDIO SYSTEMS (ANTENNA & SPEAKER)	
<h3 style="margin: 0;">BODY (4/4)</h3> 						<b>7 6684</b>  AUDIO SYSTEMS (NOISE SUPPRESSOR & EARTH CORD)
As this illustration is prepared to be applicable to all models, some parts are different in specifications from parts listed in this parts Catalog.						<b>8 6800</b>  CEILING TRIMS
<b>17 7250</b>  QUARTER WINDOW & TRIMS						<b>9 6820</b>  PILLAR TRIMS
<b>16 6930</b>  CAUTION PLATES & LABELS	<b>15 6900</b>  VISORS, ASSIST HANDLES & MIRRORS	<b>14 6870</b>  SERVICE TOOLS	<b>13 6860</b>  FLOOR MATS & PADS	<b>12 6845</b>  STORAGE BOX	<b>11 6840</b>  TRIMS & SCUFF PLATES	

## SECTION NAME INDEX (ENGINE)

LO.NO	SEC.NO	SECTION NAME	LO.NO	SEC.NO	SECTION NAME	LO.NO	SEC.NO	SECTION NAME
1-C03	1000	ENGINE & GASKET SETS	1-L11	1960	GASKET & SEAL KIT (AUTOMATIC)			
1-D03	1030	ROTOR HOUSINGS						
1-G03	1040	OIL PAN, FRONT & REAR HOUSING						
1-J03	1100	ECCENTRIC SHAFT & FLYWHEEL						
1-L03	1110	ROTORS & RELATED PARTS						
1-N03	1300	INLET MANIFOLD						
1-C04	1310	EXHAUST MANIFOLD						
1-D04	1311	INTER COOLER						
1-E04	1312	TURBO CHARGER						
1-G04	1313	TWIN TURBO AIR INTAKE SYSTEM						
1-I04	1320	FUEL SYSTEM						
1-J04	1325	FUEL DISTRIBUTOR						
1-L04	1330	AIR CLEANER						
1-C05	1364	THROTTLE BODY						
1-E05	1371	AIR PUMP & AIR CONTROL VALVE						
1-G05	1380	EMISSION CONTROL SYSTEM						
1-C06	1400	OIL PUMP & FILTER						
1-F06	1500	COOLING SYSTEM						
1-M06	1580	BRACKET, PULLEY & BELT						
1-C07	1600	CLUTCH DISC & COVER (MANUAL)						
1-E07	1700	TRANSMISSION CASE (MANUAL)						
1-J07	1710	TRANSMISSION GEARS (MANUAL)						
1-D08	1720	CHANGE CONTROL SYSTEM (MANUAL)						
1-F08	1800	ENGINE ELECTRICAL SYSTEM						
1-I08	1830	ALTERNATOR						
1-K08	1840	STARTER						
1-C09	1850	BATTERY						
1-D09	1910	TORQUE CONVERTER, OIL PUMP & PI PINGS (AUTOMATIC)						
1-I09	1920	TRANSMISSION CASE & MAIN CONTR OL SYSTEM (AUTOMATIC)						
1-C10	1925	CONTROL VALVE (AUTOMATIC)						
1-K10	1930	CLUTCHES & PLANETARY GEARS (AU TOMATIC)						
1-G11	1940	GOVERNOR, LOW & REVERSE PISTON (AUTOMATIC)						
1-J11	1950	MANUAL LINKAGE SYSTEM (AUTOMAT IC)						

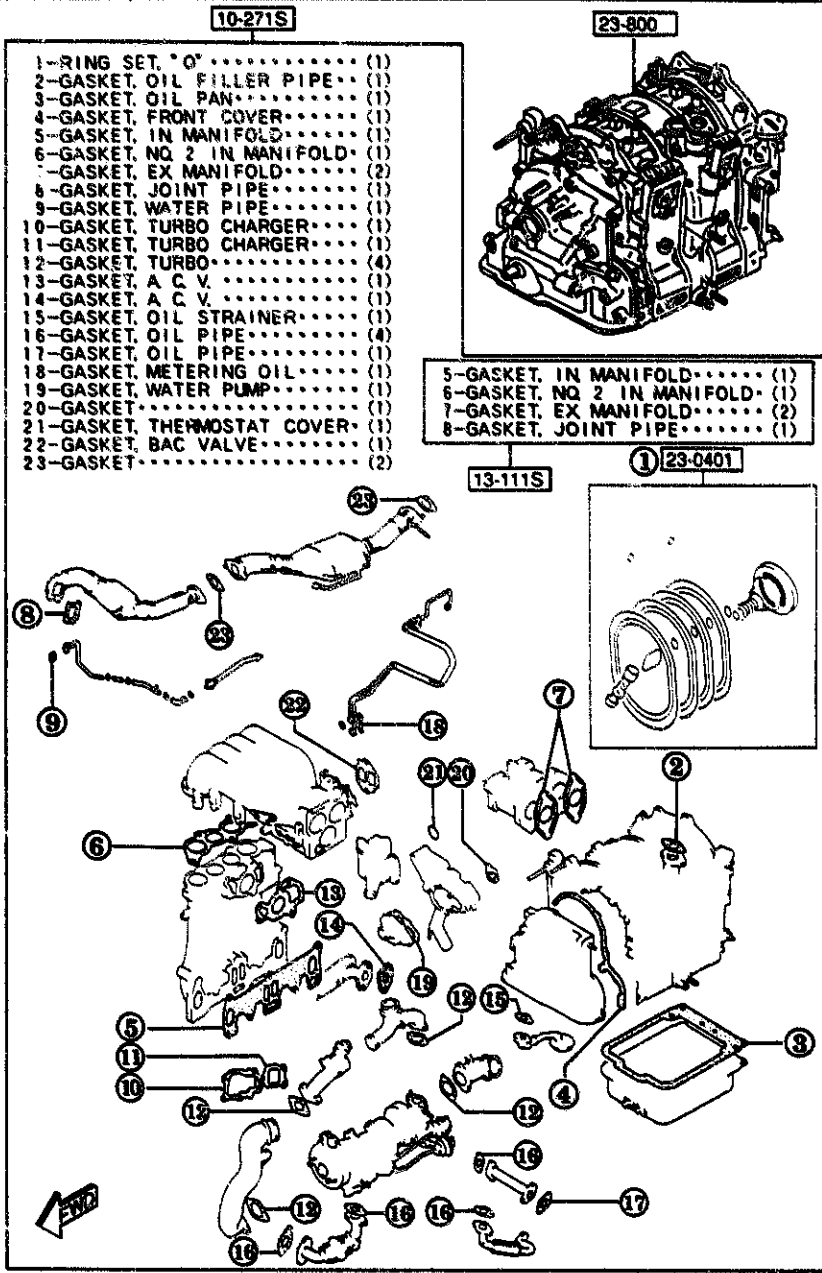
## SECTION NAME INDEX (CHASSIS)

LD.NO	SEC.NO	SECTION NAME	LD.NO	SEC.NO	SECTION NAME	LD.NO	SEC.NO	SECTION NAME
2-C03	2505	REAR PROPELLER SHAFT	2-108	4600	CHANGE CONTROL SYSTEM (AT)			
2-D03	2550	REAR DRIVE SHAFT						
2-E03	2600	REAR AXLE						
2-G03	2610	REAR BRAKE MECHANISMS						
2-J03	2710	REAR DIFFERENTIALS						
2-N03	2800	REAR SUSPENSION MECHANISMS						
2-C04	2801	REAR SPRING & DAMPER						
2-D04	2810	REAR STABILIZER						
2-E04	2830	REAR LOWER ARMS & SUB FRAME						
2-G04	3200	STEERING WHEEL						
2-H04	3210	STEERING COLUMN & SHAFTS						
2-I04	3220	STEERING GEAR						
2-K04	3240	POWER STEERING SYSTEM						
2-L04	3300	FRONT AXLE						
2-M04	3310	FRONT BRAKE MECHANISMS						
2-C05	3400	FRONT SUSPENSION MECHANISMS						
2-F05	3401	FRONT SPRING & DAMPER						
2-G05	3410	CROSSMEMBER & STABILIZER						
2-H05	3700	TIRES & JACK						
2-C06	3900	ENGINE & T/MISSION MOUNTINGS						
2-D06	4000	EXHAUST SYSTEM						
2-H06	4140	CLUTCH RELEASE & MASTER CYLINDERS (MANUAL TRANSMISSION)						
2-J06	4145	CLUTCH PIPINGS (MANUAL TRANSMISSION)						
2-K06	4160	ACCELERATOR CONTROL SYSTEM						
2-L06	4200	FUEL TANK						
2-D07	4210	FUEL LID OPENER						
2-E07	4300	CLUTCH & BRAKE PEDALS (MANUAL TRANSMISSION)						
2-G07	4300A	BRAKE PEDALS (AUTOMATIC TRANSMISSION)						
2-H07	4340	BRAKE MASTER CYLINDER & POWER BRAKE						
2-J07	4360	BRAKE PIPINGS						
2-N07	4370	ANTILOCK BRAKE SYSTEM						
2-E08	4400	PARKING BRAKE SYSTEM						
2-F08	4500	FUEL PIPINGS						

## SECTION NAME INDEX (BODY)

LO.NO	SEC.NO	SECTION NAME	LO.NO	SEC.NO	SECTION NAME	LO.NO	SEC.NO	SECTION NAME
2-C10	0900	KEY SETS	3-H03	5030	FRONT DOOR MECHANISMS	3-H08	6702	WIRING HARNESES(DASHBOARD)
2-E10	5000	FRONT BUMPER	3-K03	5040	FRONT DOOR TRIMS & RELATED PARTS	3-J08	6703	WIRING HARNESES(DOOR.FLOOR/CEILING)
2-H10	5010	REAR BUMPER	3-C04	6100	HEATER	3-K08	6704	WIRING HARNESS CLAMPS
2-J10	5030	WINDOW MOULDINGS	3-E04	6110	HEATER UNIT COMPONENTS	3-L08	6720	WINDSHIELD WASHER
2-K10	5040	BODY MOULDINGS	3-G04	6115	HEATER CONTROLS COMPONENTS	3-N08	6730	WINDSHIELD WIPERS
2-H10	5100	HEAD LAMPS	3-H04	6120	HEATER BLOWER COMPONENTS	3-D09	6740	WIPER MOTOR COMPONENTS(FRONT)
2-C11	5103	HEAD LAMP RETRACTORS	3-I04	6130	AIR CONDITIONER (JAPAN MAKE)	3-E09	6750	WINDOW WIPER & WASHER (REAR)
2-E11	5105	FRONT COMBINATION LAMPS	3-L04	6130A	AIR CONDITIONER (OPTIONAL PARTS)	3-G09	6760	WINDOW WIPER MOTOR COMPONENTS (REAR)
2-I11	5110	REAR COMBINATION LAMPS	3-C05	6135	O RING SET,PIPING	3-H09	6800	CEILING TRIMS
2-N11	5120	LICENSE LAMPS	3-D05	6140	COMPRESSOR COMPONENTS (AIR CONDITIONER) (JAPAN MAKE)	3-J09	6820	PILLAR TRIMS
2-C12	5125	INTERIOR LAMPS	3-F05	6140A	COMPRESSOR COMPONENTS (AIR CONDITIONER) (OPTIONAL PARTS)	3-K09	6840	TRIMS & SCUFF PLATES
2-D12	5130	OVERHEAD CONSOLE	3-H05	6150	COOLING UNIT (AIR CONDITIONER) (JAPAN MAKE)	3-C10	6845	STRAGE BOX
2-E12	5170	ORNAMENTS	3-I05	6150A	COOLING UNIT (AIR CONDITIONER) (OPTIONAL PARTS)	3-D10	6860	FLOOR MATS & PADS
2-F12	5180	COWL & EXTRACTOR GRILLES	3-K05	6230	LIFT GATE MECHANISMS	3-G10	6870	SERVICE TOOLS
2-H12	5230	BONNET	3-N05	6300	WINDOW GLASSES	3-H10	6900	VISORS,ASSIST HANDLES & MIRRORS
2-J12	5310	FRONT PANELS	3-C06	6330	SUNROOF	3-K10	6930	CAUTION PLATES & LABELS
2-K12	5320	FENDER & WHEEL APRON PANELS	3-G06	6600	SWITCHES & RELAYS (ENGINE)	3-M10	7250	QUARTER WINDOW & TRIMS
2-C13	5330	DASH & COWL PANELS	3-L06	6610	DASHBOARD SWITCHES	3-D11	7800	SPOILERS & RELATED PARTS
2-D13	5340	SIDE PANELS	3-M06	6611	COMBINATION SWITCH			
2-I13	5360	ROOF PANELS (W/O SUN ROOF)	3-N06	6613	POWER WINDOW SWITCHES			
2-J13	5360 A	ROOF PANELS (SUN ROOF)	3-C07	6630	RELAYS & UNIT (BODY)			
2-K13	5370	FLOOR PANELS	3-E07	6635	DOOR SWITCH & HORNS			
2-M13	5380	FLOOR ATTACHMENTS (HOLE COVERS)	3-FD7	6640	AUTO CRUISE CONTROL SYSTEM			
2-C14	5390	FLOOR ATTACHMENTS	3-G07	6680	AUDIO SYSTEMS (RADIO & TAPE DECK)			
2-C15	5500	DASHBOARD EQUIPMENTS	3-I07	6682	AUDIO SYSTEMS (ANTENNA & SPEAKER)			
2-D15	5520	METER HOOD	3-M07	6684	AUDIO SYSTEMS(NOISE SUPPRESSOR & EARTH CORD)			
2-E15	5540	METER COMPONENTS	3-N07	6700	WIRING HARNESES(FRONT & REAR)			
2-G15	5560	DASHBOARD & RELATED PARTS	3-F08	6701	WIRING HARNESES(ENGINE & TRANSMISSION)			
2-K15	5570	CONSOLE						
2-C16	5580	VENTILATOR						
2-D16	5700	FRONT SEATS						
2-M16	5790	SEAT BELTS						
3-C03	5795	AIR BAG						
3-D03	5800	FRONT DOORS						

1000 SHORT ENGINE & GASKET SETS



PART NO.	QTY	MODEL/RESTRICTION	MODEL/RESTRICTION	MODEL/RESTRICTION	FROM-TO
10-271S		GASKET SET, ENGINE			
8AFE-10-271	1				
13-111S		GASKET SET, SUB-ENG.			
8AF7-13-111	1				
23-0401		RING SET, 'O'			
N3A1-10-S60	1				
23-800		ENGINE, SHORT			
N3A1-02-200	1 (MT)				
N3A2-02-200	1 (AT)				

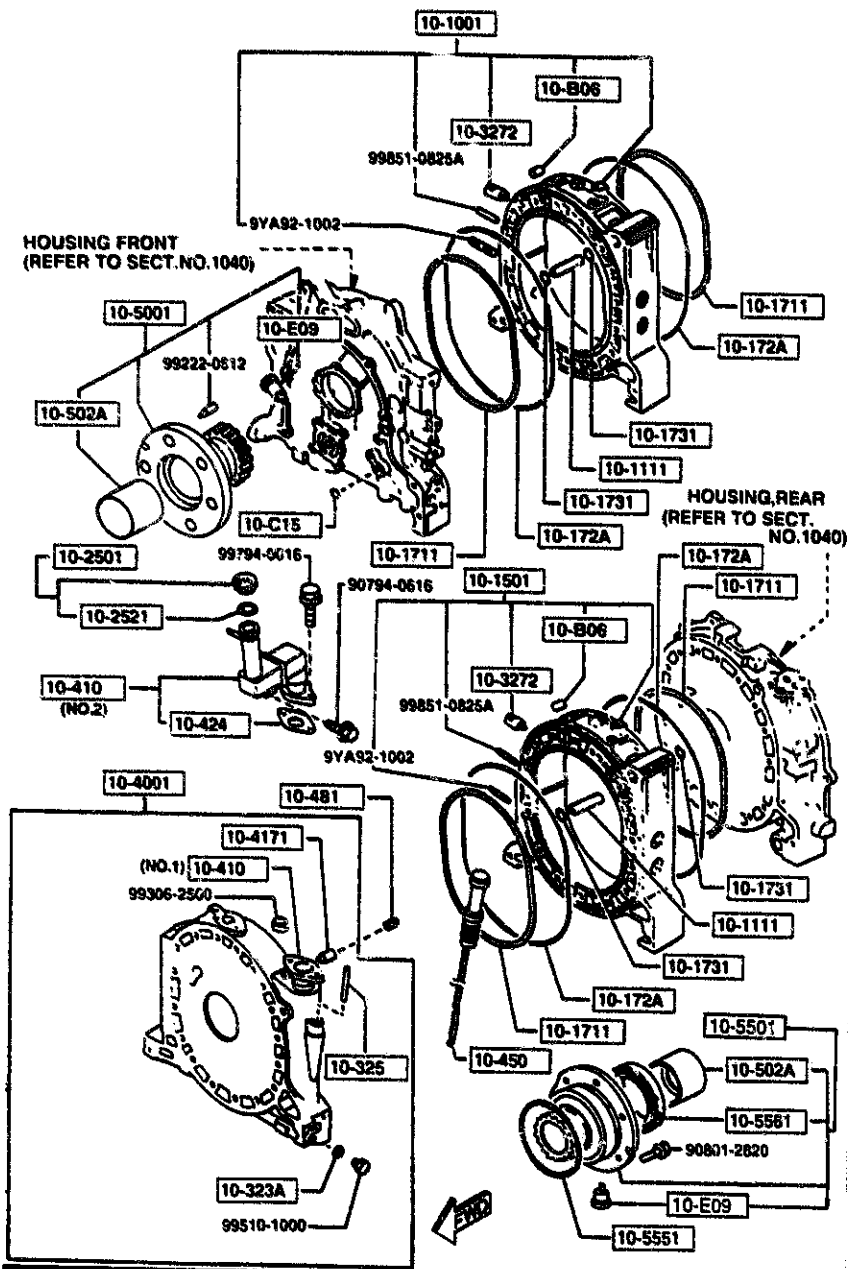
AUFA04

CAT. AUFA04-06

1994-09



1030 ROTOR HOUSINGS



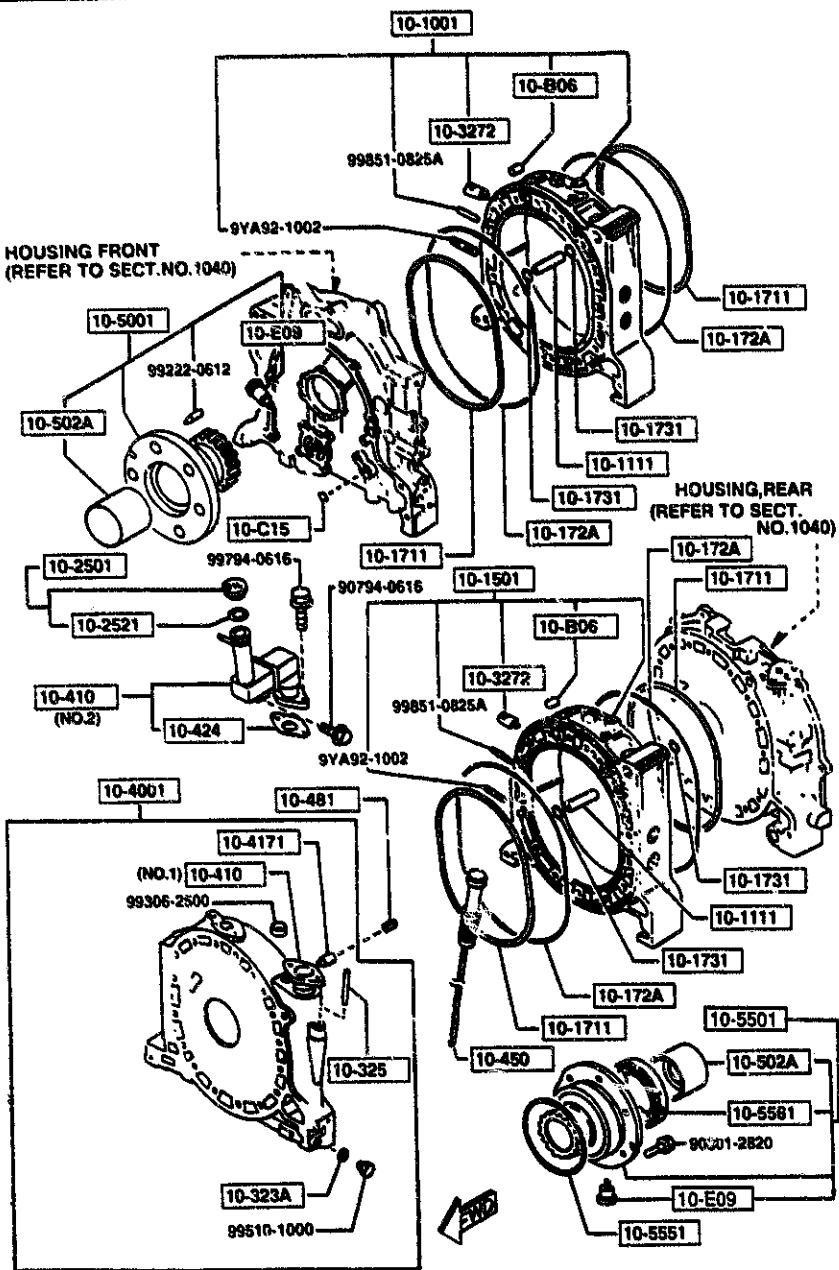
PART NO.	QTY	MODEL/RESTRICTION	MODEL/RESTRICTION	MODEL/RESTRICTION	FROM-TO
10-4001		HOUSING, INTERMEDIATE			
NSA1-10-D00	1				
10-410		PIPE, OIL FILLER			
NSA1-10-D10	1	(ILLUST. NO.1)			
NSA1-10-420B	1	(ILLUST. NO.2)			
10-4171		JOINT, PIPE			
8562-10-417	1				-2401
10-424		GASKET, OIL FILLER PIPE			
NSA1-10-424	1				-3601
NSA1-10-424A	1				3601-
10-450		GAUGE, OIL LEVEL			
NSA1-10-450A	1				
10-481		CAP			
2306-10-481	1				-2401
10-5001		GEAR, STATIONARY-FRT.			
NSYA-10-E00	1				
10-502A		METAL, STATIONARY GEAR			
NF01-10-E04	2	T=1.980MM YELLOW			
NF01-10-E05	2	T=1.983MM GREEN			
NF01-10-E06	2	T=1.986MM BROWN			
NF01-10-E07	2	T=1.989MM BLACK			
NF01-10-E08	2	T=1.992MM BLUE			
NF01-10-E22	2	T=1.988MM YELLOW			
NF01-10-E23	2	T=1.991MM GREEN			
NF01-10-E24	2	T=1.994MM BROWN			
NF01-10-E25	2	T=1.997MM BLACK			
2401 FDS***-204313					
3601 FDS***-210664					

AUFA04

CAT. AUFA04-06

1994-09

1030 ROTOR HOUSINGS

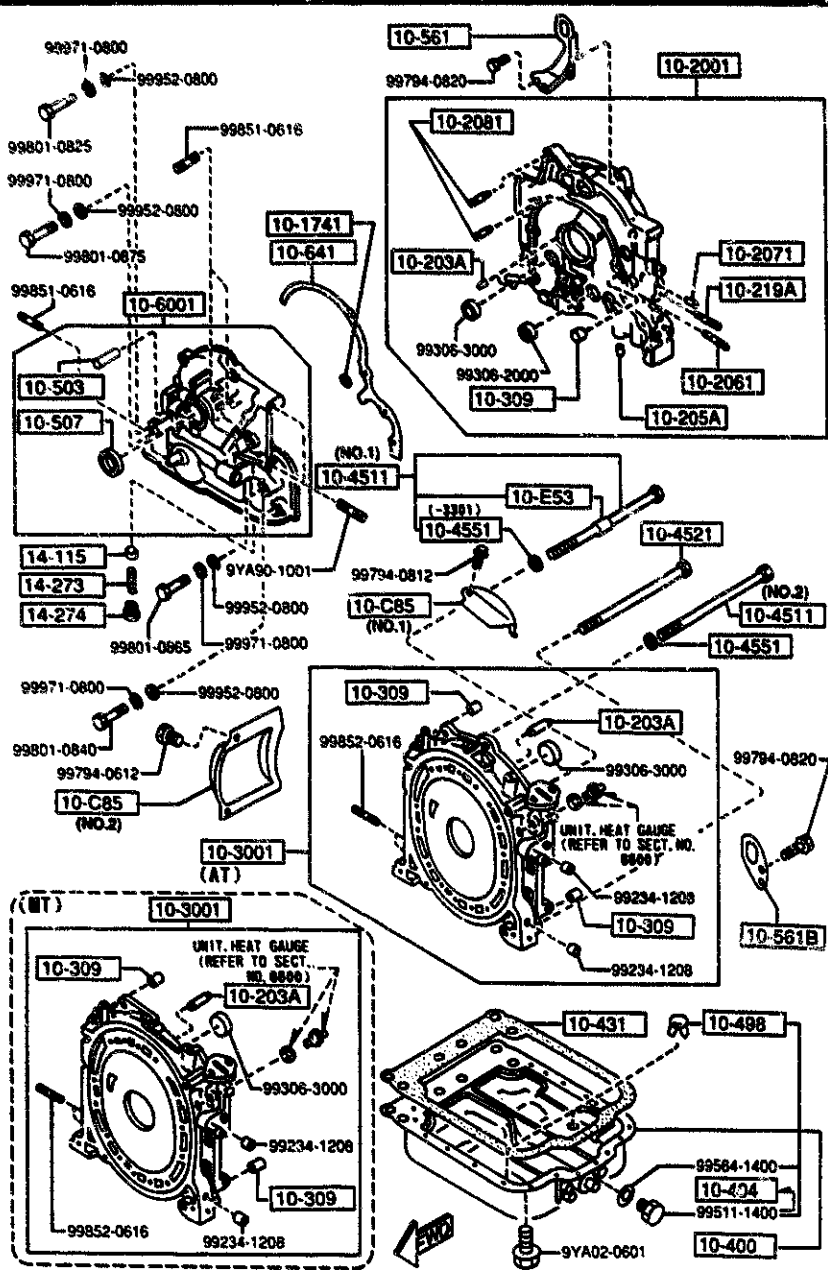


PART NO.	QTY	MODEL/RESTRICTION	MODEL/RESTRICTION	MODEL/RESTRICTION	FROM-TO
CONT'D NF01-10-E26	2	T=2.000MM BLUE			
10-5501		GEAR, STATIONARY-RR.			-2301
NSYA-10-E10 AN(NSYA-10-E10A)	1				2301-
NSYA-10-E10A	1				
10-5551		RING, 'O'			
0813-10-555A	1				
10-5561		SEAL, OIL			
1668-10-556A	1				
2301 F03MM-202878					





1040 OIL PAN,FRONT & REAR HOUSING



PART NO.	QT.	MODEL/RESTRICTION	MODEL/RESTRICTION	MODEL/RESTRICTION	FROM-TO
10-309		PIN,TUBULAR			
1757-10-309	4				
10-400		PAN,OIL			
NSA1-10-400A	1				
10-404		PLUG,DRAIN			
HE03-10-404	1				3201-
10-431		GASKET,OIL PAN			
NSYA-10-427	1				
10-4511		BOLT,TENSION			
N350-10-E50A	1	(ILLUST. NO.1)			
N350-10-E51B	17	(ILLUST. NO.2)			
10-4521		BOLT,TENSION			
N350-10-E61A	1				
10-4551		WASHER,SEAL			
0839-10-455	18				-3301
0839-10-455	17				3301-
10-498		CAP,BLIND-OIL PAN			
NSA1-10-498	2				
10-503		PIN, TOP INDICATOR			
8871-10-631A	1				-2B11
10-507		SEAL,OIL			
NSA1-10-507	1				
10-561		HANGER,ENGINE			
NSA1-10-560A	1				-2122
A (NSA1-10-560B)					
NSA1-10-560B	1				2122-
10-561B		HANGER,ENGINE-REAR			
NSA1-10-566	1				
2122 FD3MHW-288962 2B11 FD3MHW-219514 3201 FD3MHW-210578 3301 FD3MHW-210620					

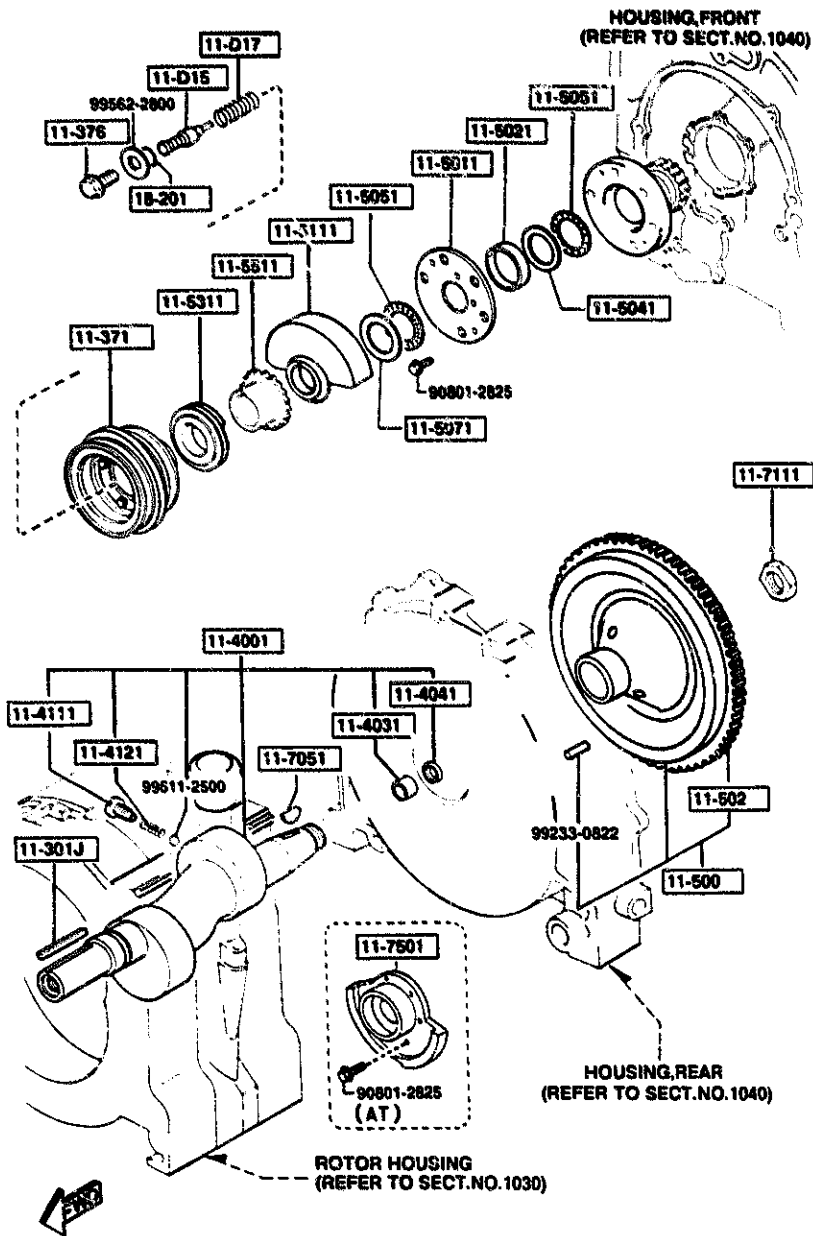
AUFA04

CAT. AUFA04-06

1994-09



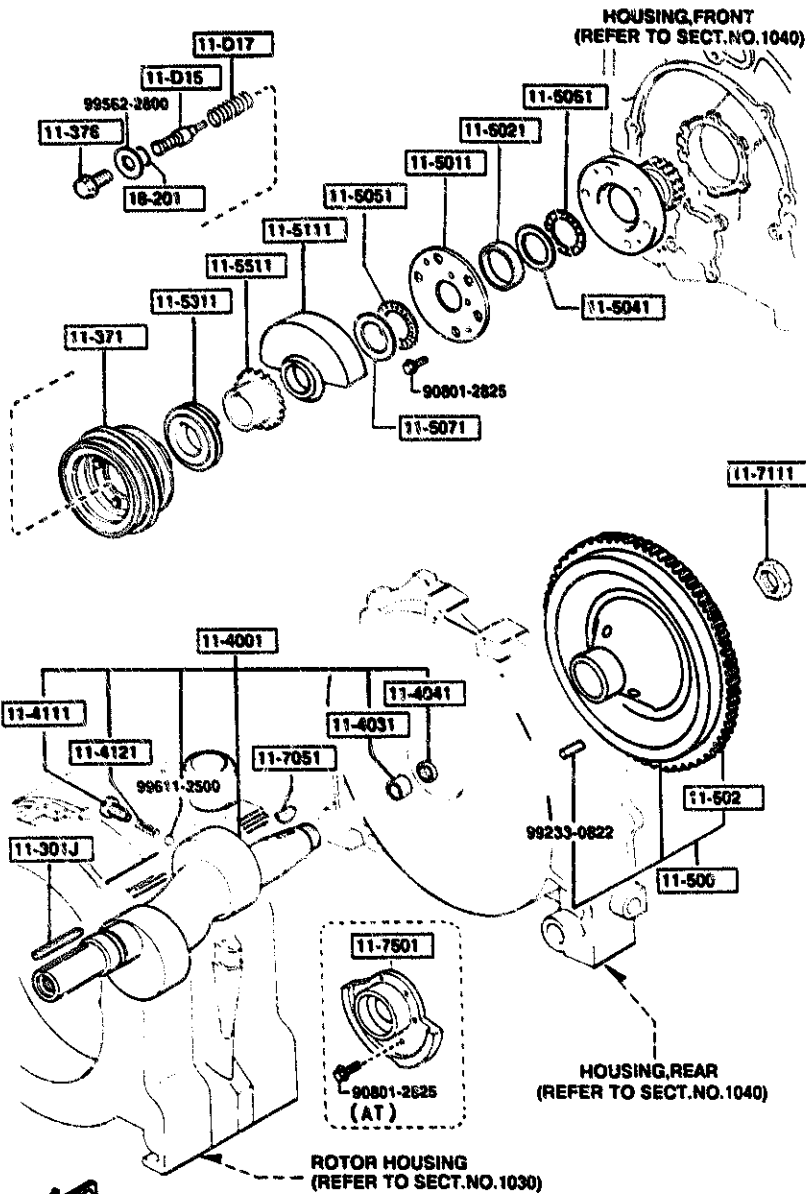
1100 ECCENTRIC SHAFT & FLYWHEEL



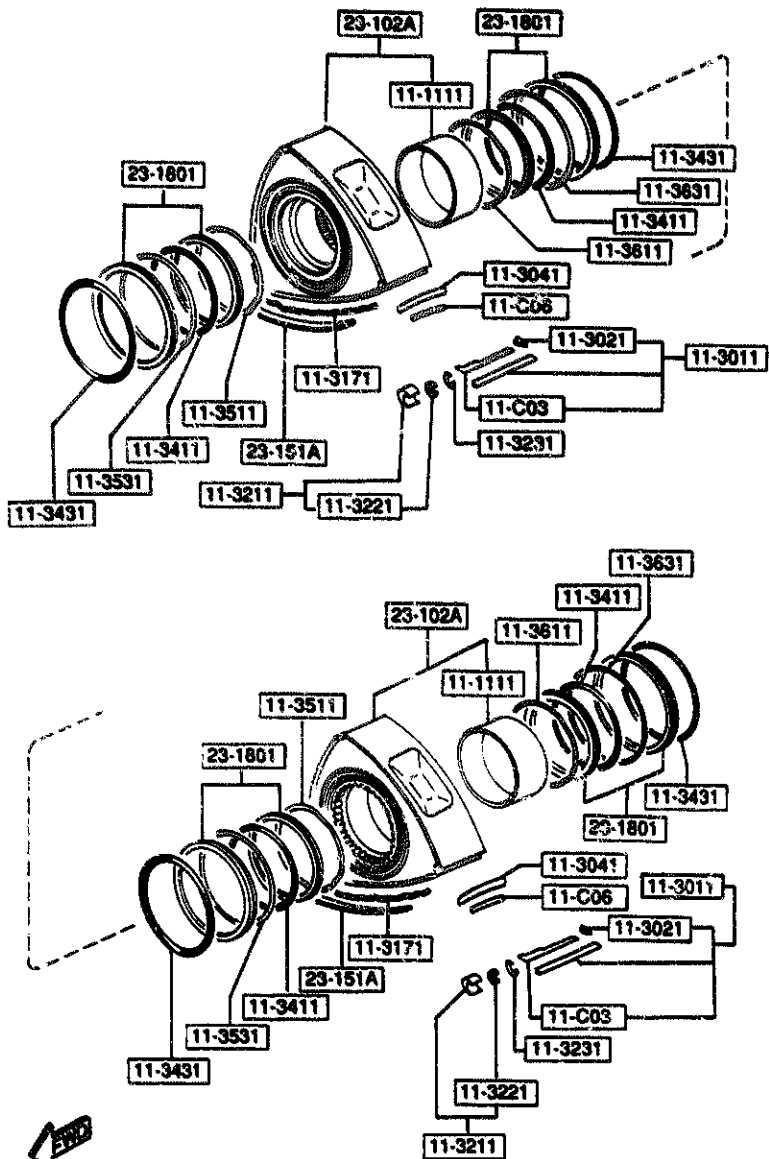
PART NO.	QTY	MODEL/RESTRICTION	MODEL/RESTRICTION	MODEL/RESTRICTION	FROM-TO
11-D15 N326-11-015	1	PELLET, THERMO-ECCENTRIC			
11-D17 N326-11-017	1	SPRING, THERMO PELLET-E/S			
11-301J 99236-0571	1	KEY, WOODRUFF-PULLEY			
11-371 N3A1-11-400A	1	PULLEY, CRANKSHAFT			
11-376 N390-11-406	1	BOLT, PULLEY			
11-4001 N3A1-11-000 N3A2-11-000	1 (MT) 1 (AT)	SHAFT, ECCENTRIC			
11-4031 N326-11-003	1 (MT)	BEARING, NEEDLE			
11-4041 1881-11-404	1 (MT)	SEAL, OIL			
11-4111 N326-11-D11	2	PLUG, OIL JET			
11-4121 0839-11-412	2	SPRING			
11-500 N3A1-11-500	1 (MT)	WHEEL, FLY			
11-5011 NF01-11-D51	1	PLATE			
11-502 N316-11-502A	1 (MT)	GEAR, RING-FLY WHEEL			

1100 ECCENTRIC SHAFT & FLYWHEEL

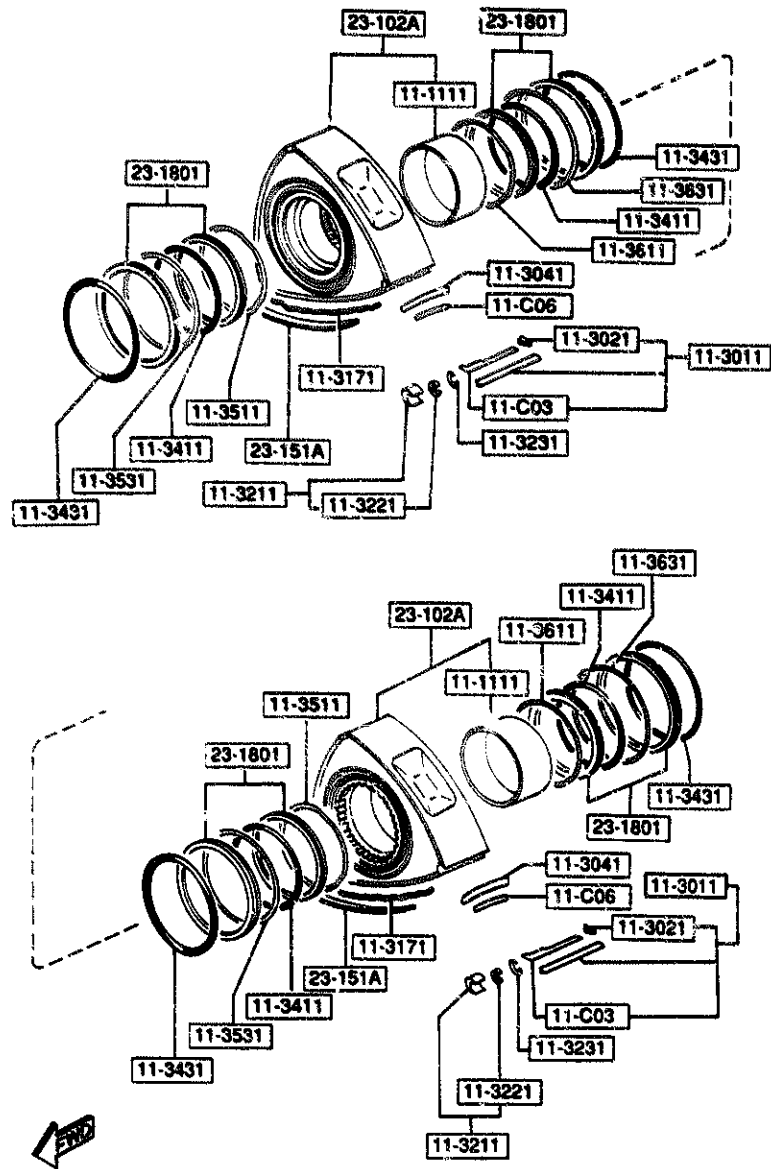
1100 -2 M ECCENTRIC SHAFT & FLYWHEEL



PART NO.	QTY	MODEL/RESTRICTION	MODEL/RESTRICTION	MODEL/RESTRICTION	FROM-TO
11-5021		SPACER			
NF01-11-D55	1	L=8.0,-0.005/-0.025			
NF01-11-D56	1	L=8.0,-0.005/+0.015			
NF01-11-D57	1	L=8.0,+0.015/+0.035			
NF01-11-D58	1	L=8.0,+0.035/+0.055			
NF01-11-D59	1	L=8.0,+0.055/+0.075			
11-5041		PLATE, THRUST			
N390-11-D52	1				
11-5051		BEARING, NEEDLE			
NF01-11-D54	2				
11-5071		WASHER, THRUST			
NF01-11-D53	1				
11-5111		WEIGHT, BALANCE			
NSA7-11-D61	1	(MT)			
NSA8-11-D61	1	(AT)			
11-5311		GEAR, DRIVE			
0839-11-531	1				
11-5511		GEAR, DRIVE-OIL PUMP			
NS26-11-D75	1				
11-7051		KEY, FLY WHEEL			
0820-11-705	1				
11-7111		NUT, LOCK			
0810-11-711	1				
11-7501		WEIGHT, COUNTER			
NS51-11-521	1	(AT)			
18-201		RING, 'O'			
99541-01105	1				



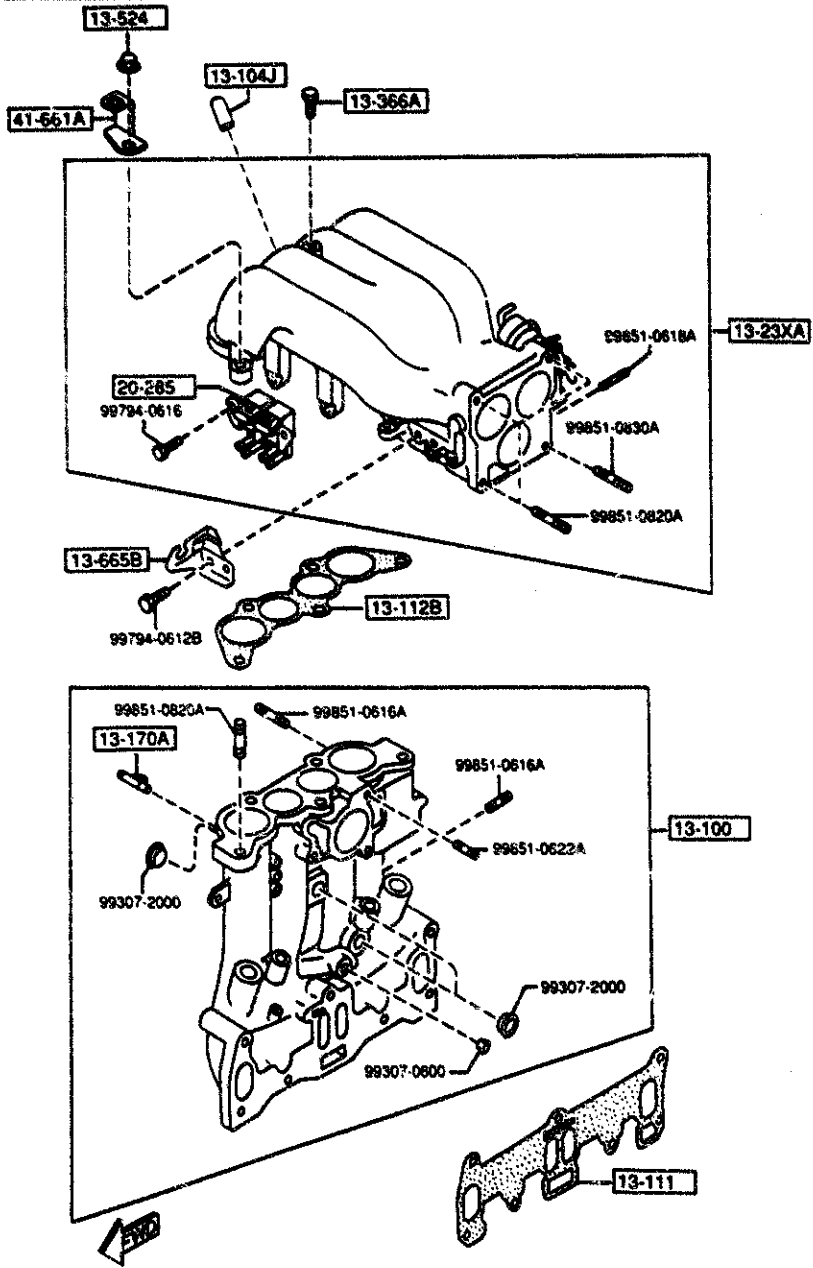
PART NO.	QTY	MODEL/RESTRICTION	MODEL/RESTRICTION	MODEL/RESTRICTION	FROM TO
11-C03		PIECE, 2ND.-APEX SEAL			
N326-11-C03A	6				
11-C06		SPRING, OUTER-APEX SEAL			
N326-11-C06A	6				
11-1111		METAL, ROTOR			
NSA1-11-B11	2	3.000(-0.005--0.010)			
NSA2-11-B11	2	3.000(0.000--0.005)			
NSA3-11-B11	2	3.000(+0.005-0.000)			
11-3011		SEAL, APEX			
NS51-11-C00	6				
11-3021		PIECE, SIDE			
N326-11-C02A	6				
11-3041		SPRING, APEX SEAL			
N326-11-C04A	6				
11-3171		SPRING, SIDE SEAL			
NF01-11-C17	12				
11-3211		SEAL, CORNER			
N326-11-C20A	12				
11-3221		PLUG, CORNER SEAL			
N326-11-C22A	24				
11-3231		SPRING, CORNER SEAL			
NF01-11-C24	12				
11-3411		RING, 'O'-INNER			
0820-11-341	4				
11-3431		RING, 'O'-OUTER			
8541-11-343	4				



PART NO.	QTY	MODEL/RESTRICTION	MODEL/RESTRICTION	MODEL/RESTRICTION	FROM TO
11-3511		SPRING,FRT.-INNER			
N225-11-351	2				
11-3531		SPRING,FRT.-OUTER			
1011-11-353A	2				
11-3611		SPRING,REAR-INNER			
N225-11-361	2				
11-3631		SPRING,REAR-OUTER			
1011-11-363A	2				
23-102A		ROTOR			
N3YA-11-B10	2				
23-151A		SEAL,SIDE			
N3Y1-11-C11	12				
23-1801		SEAL SET,OIL			
8735-23-180	4				-2A01
AN(8671-23-180)					
8671-23-180	4				2A01-
2A01 F03MM-210508					

1300 INLET MANIFOLD

1300 -1 INLET MANIFOLD



PART NO.	QTY	MODEL/RESTRICTION	MODEL/RESTRICTION	MODEL/RESTRICTION	FROM-TO
13-100	1	MANIFOLD, INLET			-2201
NSAS-13-100 A (NSAS-13-100A)	1				2201-
13-104J	1	CAP. BLIND			
1010-13-104	1				
13-111	1	GASKET, IN. MANIFOLD			
NSA1-13-111	1				
13-112B	1	GASKET NO. 2. IN. MANIFOLD			
NSA1-13-112	1				
13-170A	2	CONNECTOR, HOSE			
NSAS-13-170	2				
13-23XA	1	MANIFOLD(R), EXTENSION			
NSA1-13-23XB	1				
13-366A	1	BOLT			
NF01-13-366	1				
13-524	6	NUT			
NF01-13-524	6				
13-665B	1	BRACKET, ACCEL WIRE			
NSA1-13-661	1				
20-285	1	VALVE, DUTY SOLENOID			
NSA1-20-285	1				
41-661A	1	BRACKET, ACCEL CABLE			-2108
FD01-41-661A A (FD01-41-661B)	1				2108-
FD01-41-661B	1				
2108 FD3MKK-200359 2201 FD3MKK-201428					

AUFA04

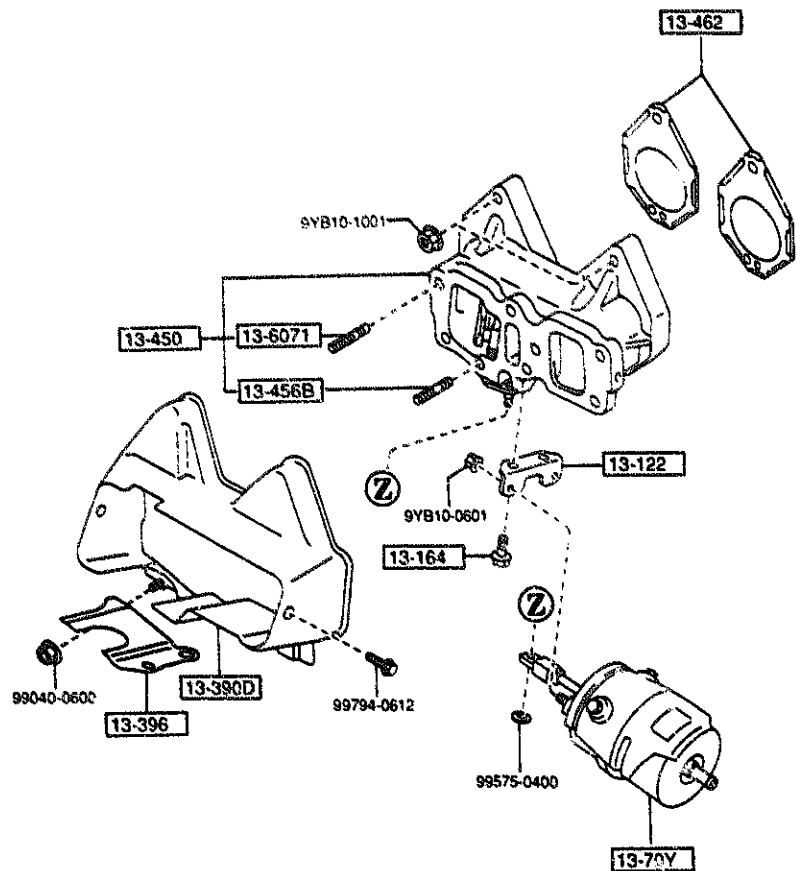
CAT. AUFA04-06

1994-09



1310 -1 M EXHAUST MANIFOLD

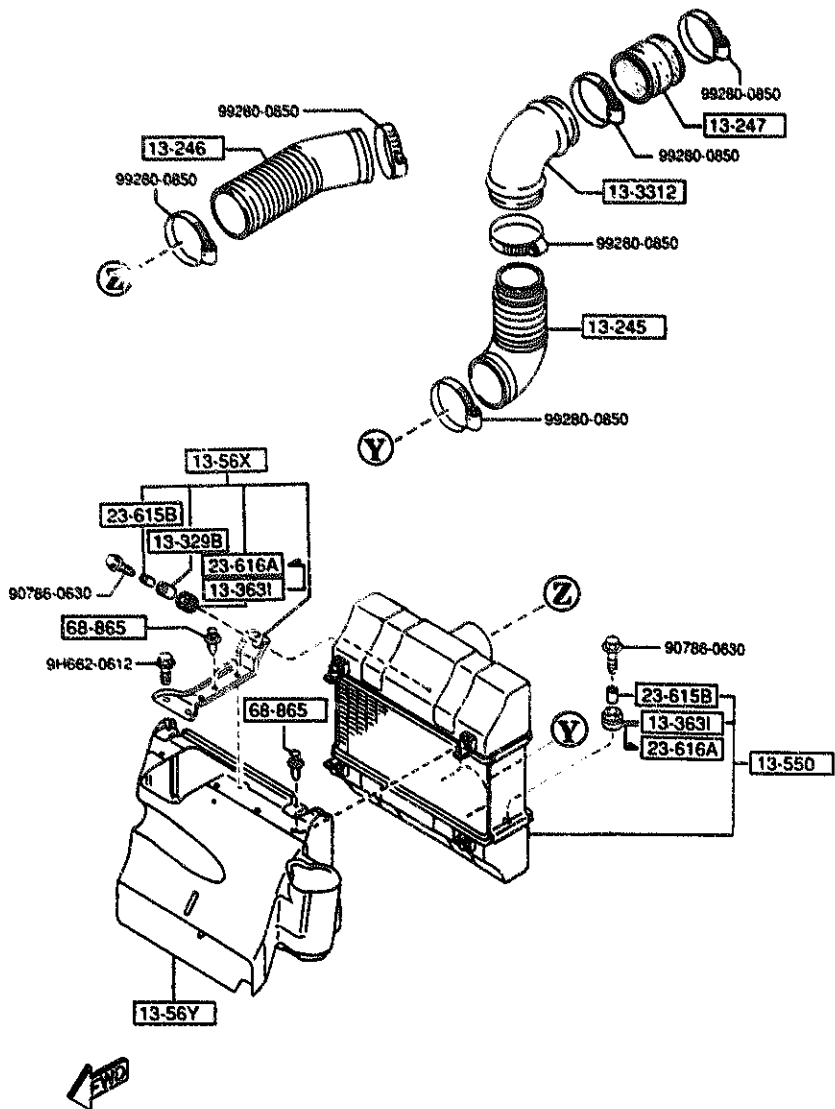
1310 EXHAUST MANIFOLD



PART NO.	QTY	MODEL/RESTRICTION	MODEL/RESTRICTION	MODEL/RESTRICTION	FROM TO
13-122		STAY, INTAKE MANIFOLD			
NSA1-13-468A	1				
13-164		BOLT, FUEL DISTRIBUTOR			
NS50-13-164	2				
13-390D		INSULATOR, EX. MANIFOLD			
NSA1-13-390A (NSA1-13-390A)	1				-2101
NSA1-13-390A (NSA1-13-390B)	1				2101-3203
NSA1-13-390B	1				3203-
13-396		INSULATOR, SUB			
NSA1-13-396A	1				
13-450		MANIFOLD, EXHAUST			
NSA1-13-450A	1				
13-456B		STUD, EX. MANIFOLD			
NS91-13-456	1				
13-462		GASKET, EX. MANIFOLD			
NSA1-13-461	2				
13-6071		STUD			
NF01-13-708A	5				
13-70Y		ACTUATOR, EXHAUST VALVE			
NSA1-13-70Y	1				
2101 FD3***-200251 3203 FD3***-210581					

1311 -1 \* INTER COOLER

1311 INTER COOLER



PART NO.	QTY	MODEL/RESTRICTION	MODEL/RESTRICTION	MODEL/RESTRICTION	FROM TO
13-245		JOINT, RUBBER			
NSA1-13-245 AN(NSA1-13-245A)	1				-2416
NSA1-13-245A	1				2416-
13-246		JOINT, RUBBER			
NSA1-13-246 AN(NSA1-13-246A)	1				-2115
NSA1-13-246A	1				2115-
13-247		JOINT, RUBBER			
NSA2-13-247	1				
13-329B		SPACER			
NSA1-13-329	1				
13-3312		PIPE, AIR INTAKE			
NSA1-13-33X	1				
13-363I		RUBBER, INSULATION			
NS18-13-363	3				-2601
13-550		CHARGE, AIR COOLER			
NSA1-13-550	1				
13-56X		BRACKET, INTER COOLER			
NSA1-13-56X	1				
13-56Y		DUCT, AIR-INTER COOLER			
NSA1-13-56YA	1				
23-615B		COLLAR			
SL50-13-211	3				2601-
23-616A		INSULATOR			
SL50-13-208	3				2601-
68-865		FASTENER			
BR70-68-865	6				

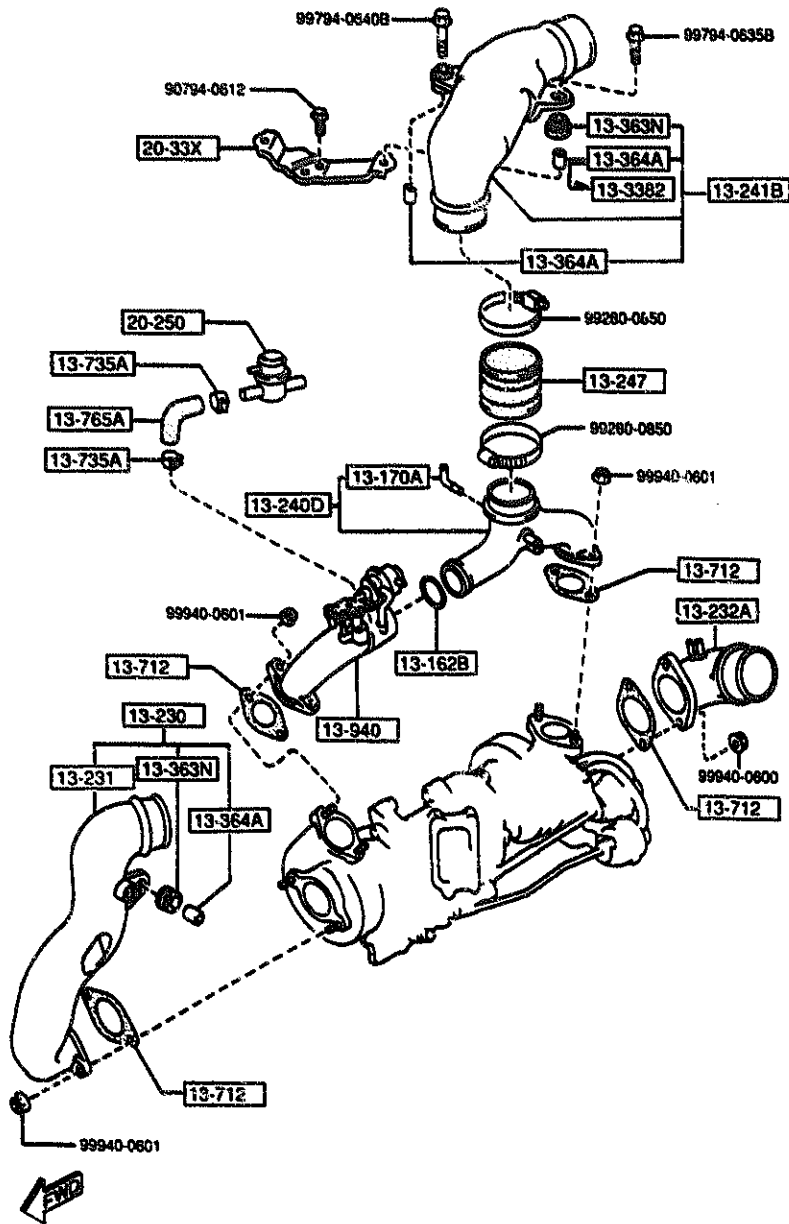
2115 FD3MM-200652  
 2416 FD3MM-2J5081  
 2601 FD3MM-207062





1313 -3 TWIN TURBO AIR INTAKE SYSTEM

1313 TWIN TURBO AIR INTAKE SYSTEM

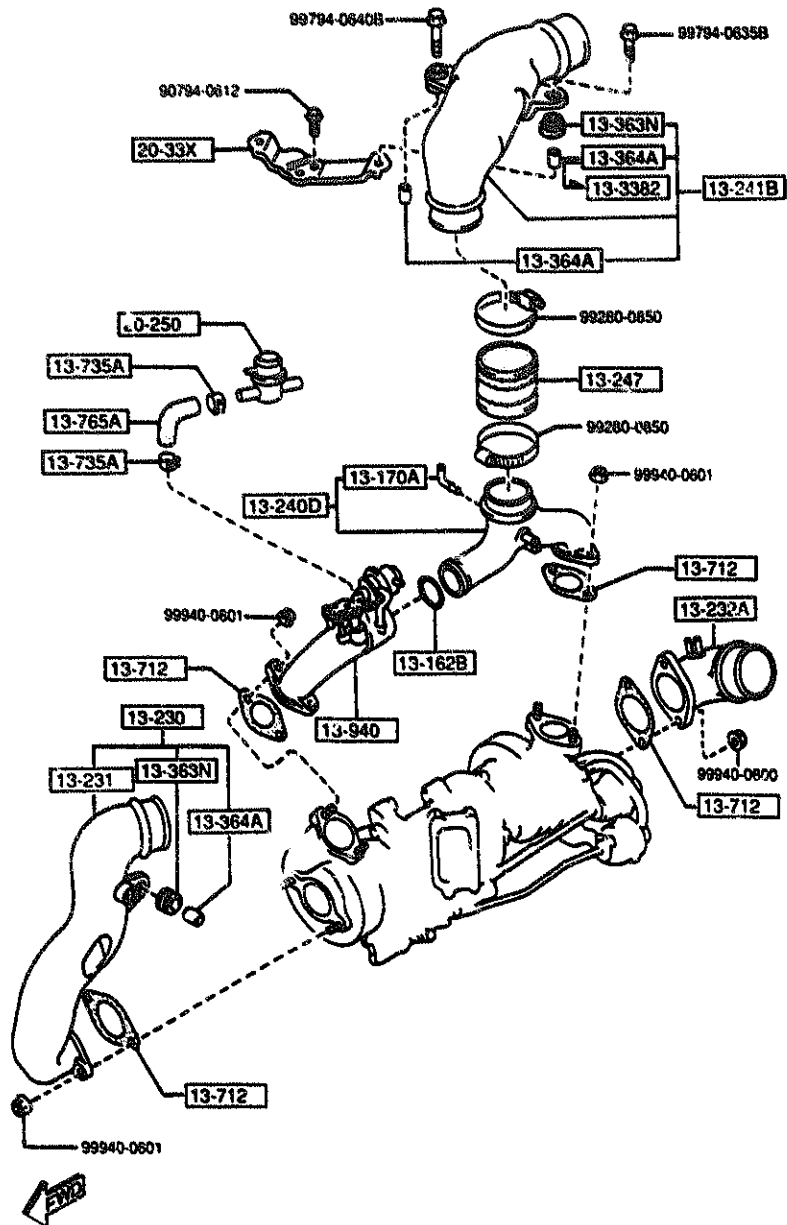


PART NO.	QTY	MODEL/RESTRICTION	MODEL/RESTRICTION	MODEL/RESTRICTION	FROM-TO
13-162B		RING, 'O'-INLET MANIF			
NSA1-13-162	1	OLD			
13-170A		CONNECTOR, HOSE			
NSA3-13-170	1				
13-230		PIPE, AIR INTAKE			
NSA1-13-230	1				
13-231		PIPE, AIR			
MNSA1-13-231	1				
13-232A		PIPE, AIR INTAKE			
NSA1-13-232	1				
13-240D		PIPE, AIR INTAKE-INT.			
NSA1-13-24XA	1	COOLE			
13-241B		PIPE, AIR INTAKE			
NSA1-13-240A	1				
13-247		JOINT, RUBBER			
NSA2-13-247	1				
13-3382		SPACER			2610-
FE51-13-329	1				
13-363N		RUBBER, MOUNTING			
FE51-13-363	3				
13-364A		SPACER			-2610
NF02-13-364	3				
NF02-13-364	2				2610-
13-712		GASKET, TURBO			
NSA1-13-712	4				
13-735A		CLAMP, HOSE			
NF01-13-735	2				

2610 FD3MXX-207592

1313 -2 \* TWIN TURBO AIR INTAKE SYSTEM

1313 TWIN TURBO AIR INTAKE SYSTEM



PART NO.	QTY	MODEL/RESTRICTION	MODEL/RESTRICTION	MODEL/RESTRICTION	FROM TO
13-765A		HOSE,AIR			
NSA1-13-765	1				
13-940		VALVE,CONTROL			
NSA1-13-36Y	1				
20-250		VALVE,AIR BYPASS			
NS90-20-250	1				
20-33X		BRACKET,VACUUM CHAMBER			
NSA1-20-33X	1				

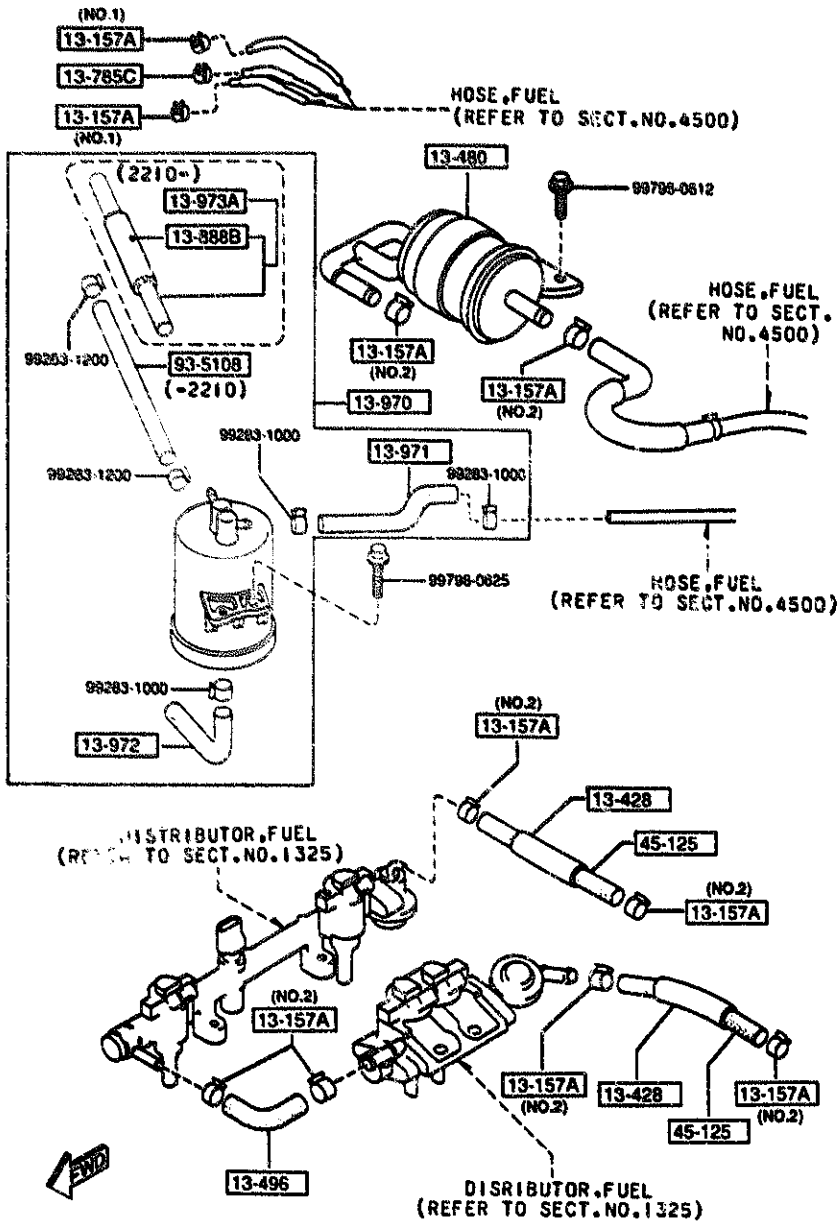
AUFA04

CAT. AUFA04-06

1994-09

1320 FUEL SYSTEM

1320 -1 M FUEL SYSTEM

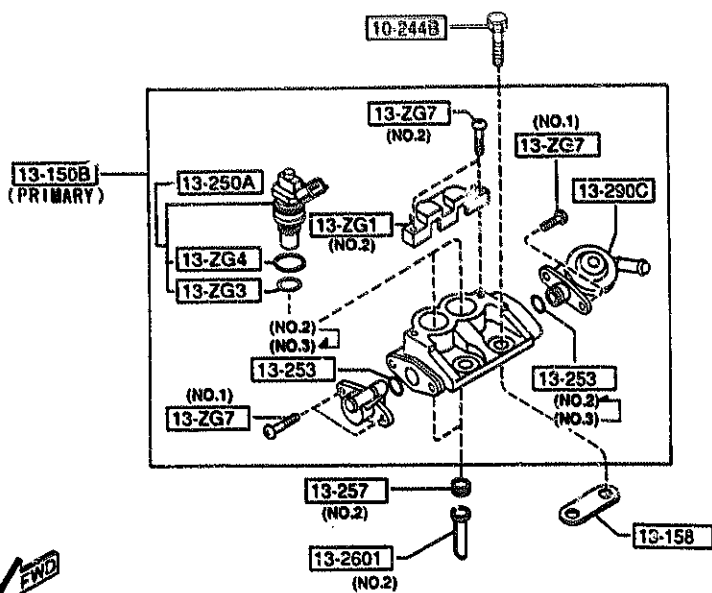
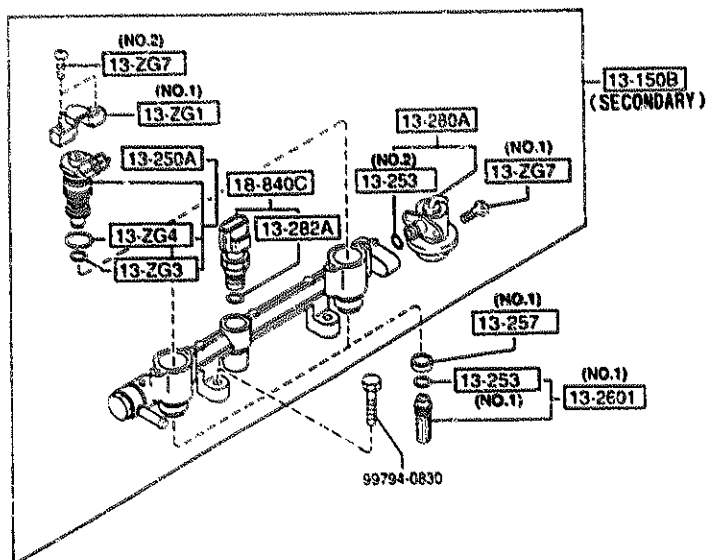


PART NO.	QTY	MODEL/RESTRICTION	MODEL/RESTRICTION	MODEL/RESTRICTION	FROM TO
13-157A		CLIP			
8681-13-157	2	(ILLUST. NO.1)			
8574-13-157	8	(ILLUST. NO.2)			
13-428		PROTECTOR			
N326-13-428A	2				
13-480		FILTER, FUEL			
NSA1-20-490	1				
13-496		HOSE, FUEL			
NSA1-13-496	1				
13-785C		CLIP, HOSE			
NSA1-13-785	1				
13-888B		PROTECTOR, VACUUM TUBE			
NSA3-13-888	1				2210-
13-970		CANISTER			
NSA1-13-970	1				
13-971		HOSE, VENTILATION			
NSA1-13-971	1				
13-972		HOSE, EVAPORATION			
NSA1-13-972	1				
13-973A		HOSE, EVAPORATION			
NSA3-13-97X	1				2210-
45-125		HOSE, FUEL			
99359-0814	2				
93-5108		HOSE			
99351-08999	1				-2210
2210 FD3MXX-201828					

AUFA04

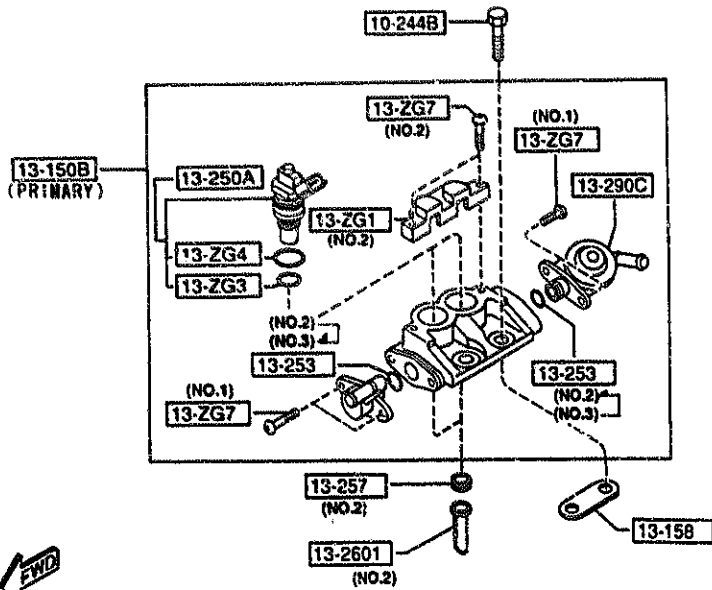
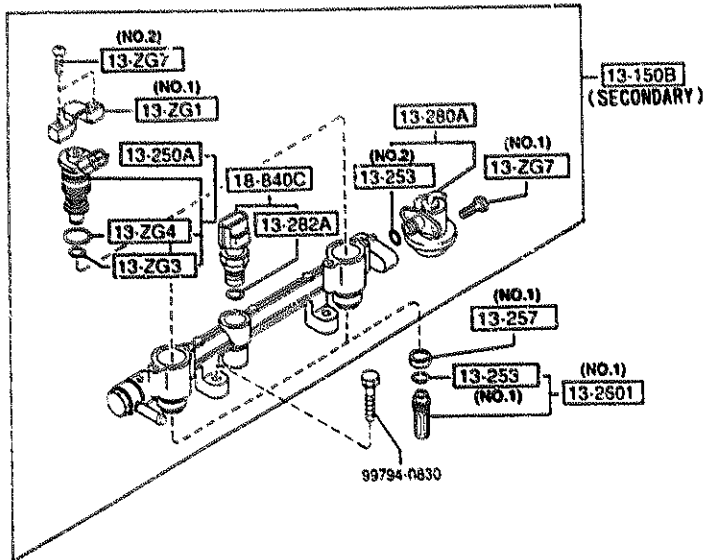
CAT. AUFA04-06

1994-09



PART NO.	QTY	MODEL/RESTRICTION	MODEL/RESTRICTION	MODEL/RESTRICTION	FROM TO
10-244B	2	BOLT, FUEL INJECTION PUMP			
4767-10-244					
13-201	2	COVER, INJECTOR			
JE48-13-201		(ILLUST. NO.1) (SECONDARY)			
N390-13-201	1	(ILLUST. NO.2) (PRIMARY)			
13-203	2	RING, 'O'-INJECTOR			
NF01-13-203					
13-204	2	RING, 'O'-INJECTOR			
NF01-13-204					
13-207	2	SCREW, FUEL DIS.			
N3A3-13-207		(ILLUST. NO.1) (SECONDARY)			
N3A3-13-207	4	(ILLUST. NO.1) (PRIMARY)			
N3A4-13-207	2	(ILLUST. NO.2) (PRIMARY)			
N3A4-13-207	4	(ILLUST. NO.2) (SECONDARY)			
13-150B	1	DISTRIBUTOR, FUEL			
N3A1-13-150		(PRIMARY)			
N3A2-13-150	1	(SECONDARY)			
13-158	1	INSULATOR, FUEL DIST.			
N326-13-158					
13-250A	2	INJECTION, FUEL-M.P.E LECT.			
N3A1-13-250		(PRIMARY)			
N3A2-13-250	2	(SECONDARY)			
13-253	2	RING, 'O'			
99541-01252		(ILLUST. NO.1)			
8574-13-253	3	(ILLUST. NO.2)			
N3A1-13-203	2	(ILLUST. NO.3)			2317-
8574-13-253	1	(ILLUST. NO.2)			2317-
2317 FD3MM-203619					



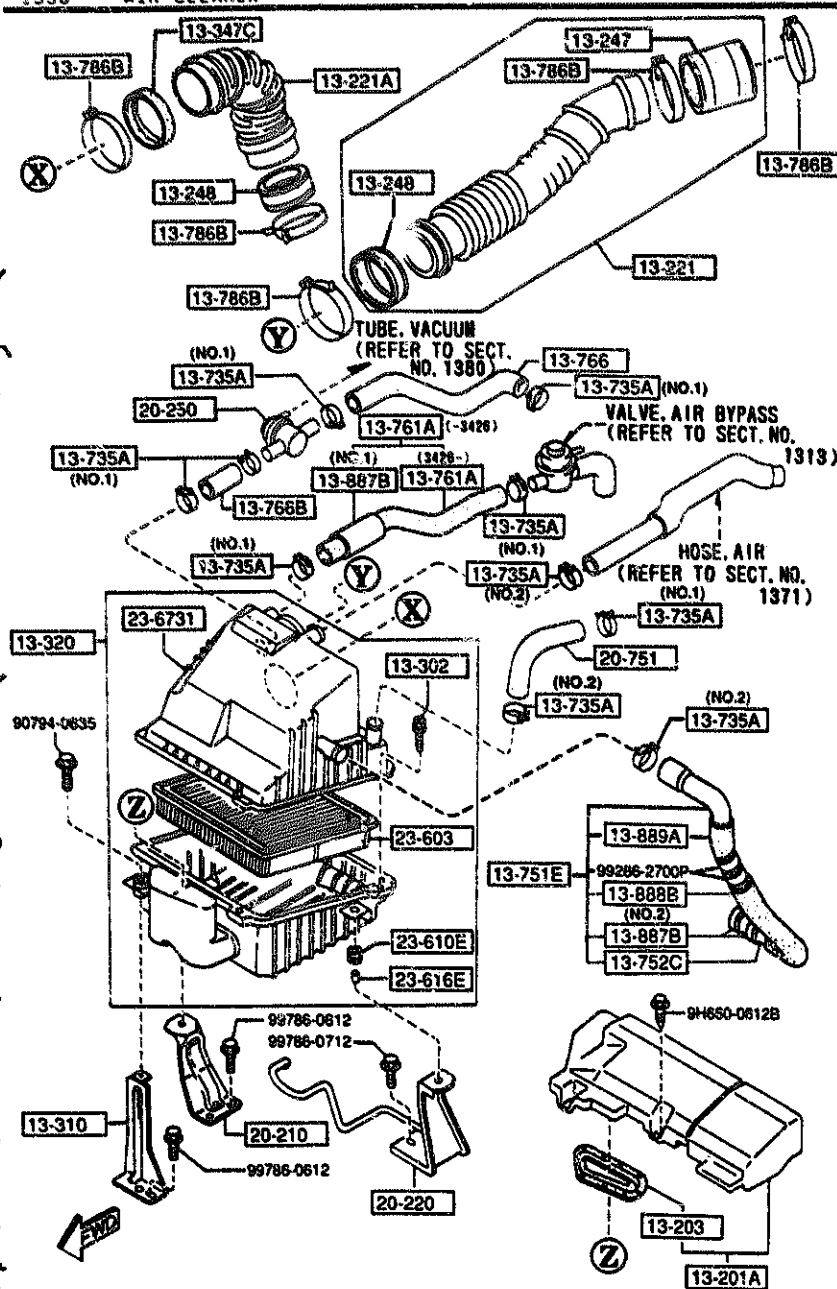


FWD

PART NO.	QTY	MODEL/RESTRICTION	MODEL/RESTRICTION	MODEL/RESTRICTION	FROM-TO
13-257		INSULATOR, INJECTION			
NF01-13-257A	2	(ILLUST. NO.1)			
NSA1-13-257	2	(ILLUST. NO.2)			
13-2601		SOCKET, AIR BLEED			
NSA1-13-C60	2	(ILLUST. NO.1)			
NSA2-13-C61	2	(ILLUST. NO.2)			
13-280A		PRESSURE RG., FUEL			
NSA1-13-280	1	(SECONDARY)			
13-282A		RING, 'O'-PRESSURE REGU.			
N253-13-282	1	(SECONDARY)			
13-290C		DAMPER, PULSATION			
NSA2-20-180	1	(PRIMARY)			
18-840C		SENSOR, TEMP.-ENG. COOLANT			
N391-18-840	1	(SECONDARY)			

1330 -1 AIR CLEANER

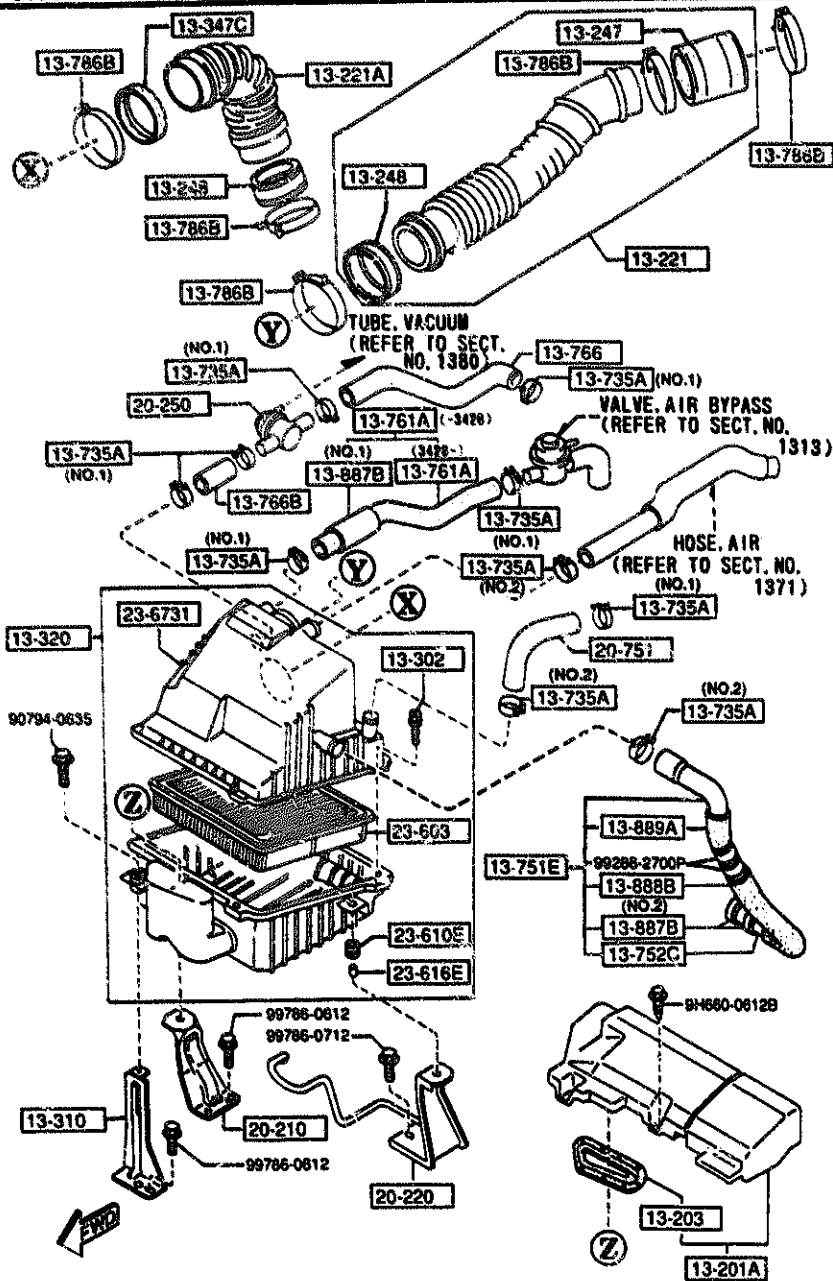
1330 AIR CLEANER



PART NO.	QTY	MODEL/RESTRICTION	MODEL/RESTRICTION	MODEL/RESTRICTION	FROM TO
13-201A	1	DUCT, FRESH AIR			
NSA1-13-200					
13-203	1	RUBBER, SEAL-FRESH AIR DUC			
NSA1-13-203					
13-221	1	HOSE, AIR			
NSA1-13-220					
13-221A	1	HOSE, AIR			
NSA1-13-221A					
13-247	1	JOINT, RUBBER			
NSA3-13-247					
13-248	2	JOINT, RUBBER			
NSA1-13-247					
13-302	2	BOLT, AIR CLEANER			
F201-13-302A					
13-310	1	BRACKET, AIR CLEANER			
NSA1-20-200					
13-320	1	HOUSING, AIR CLEANER			
NSA1-13-320					
13-347C	1	JOINT, RUBBER			
NSA1-13-249					
13-735A	7 (ILLUST. NO.1)	CLAMP, HOSE			
NF01-13-735	5 (ILLUST. NO.2)				
NSA1-13-735					
13-751E	1	HOSE, AIR			
NSA4-13-75X AN(NSA4-13-75XA)	1				-2130
NSA4-13-75XA	1				2130-
13-752C	1	HOSE, AIR			
NSA4-13-752					
2130 FD3MHH-201325					

1330 -2 AIR CLEANER

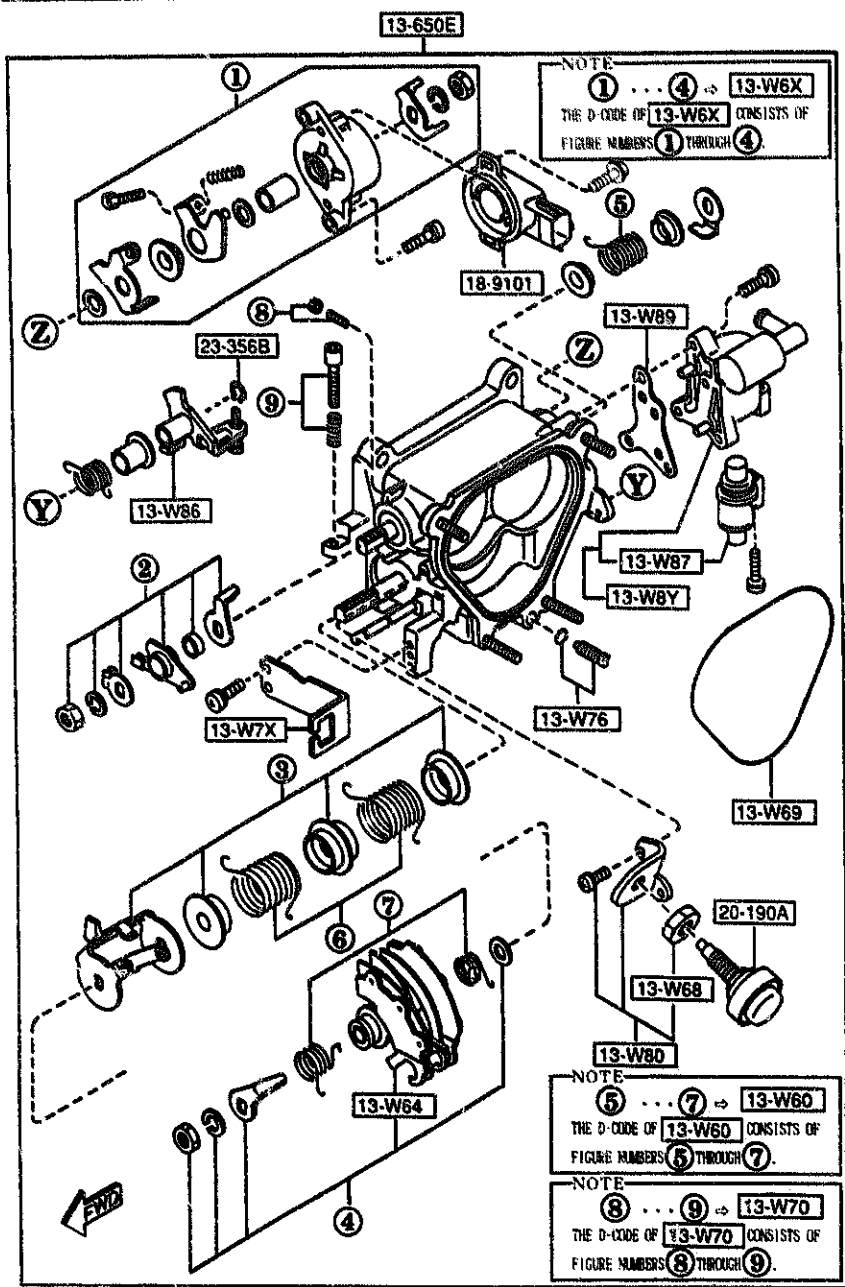
1330 AIR CLEANER



PART NO.	QTY	MODEL/RESTRICTION	MODEL/RESTRICTION	MODEL/RESTRICTION	PRGM-10
13-761A		HOSE, AIR			
NSA2-13-760 AN(NSA2-13-768)	1				-3426
NSA2-13-768	1				3426-
13-766		HOSE, AIR			
NSA1-13-766	1				
13-766B		HOSE, AIR			
NSA1-13-767	1				
13-786B		CLIP, HOSE			
NSA3-13-786	5				
13-887B		PROTECTOR, SPONGE			
NSA2-13-889	1	(ILLUST. NO.1)			-3310
NSA4-13-887	2	(ILLUST. NO.2)			3601-
13-888B		PROTECTOR, VACUUM TUBE			
NSA4-13-888	1				-3601
13-889A		PROTECTOR			
NSA4-13-889	1				-3601
20-210		BRACKET, AIR CLEANER			
NSA1-20-210	1				
20-220		BRACKET, AIR CLEANER			
NSA2-20-220	1				
20-250		VALVE, AIR BYPASS			
NSA1-20-250	1				
20-751		HOSE, AIR			
NSA1-20-751	1				
23-603		ELEMENT, AIR CLEANER			
NSA1-13-240	1				
23-610E		INSULATOR			
HE19-23-610	3				
3310 F03MM-210634 3426 F03MM-210662 3601 F03MM-210664					



## 1364 THROTTLE BODY

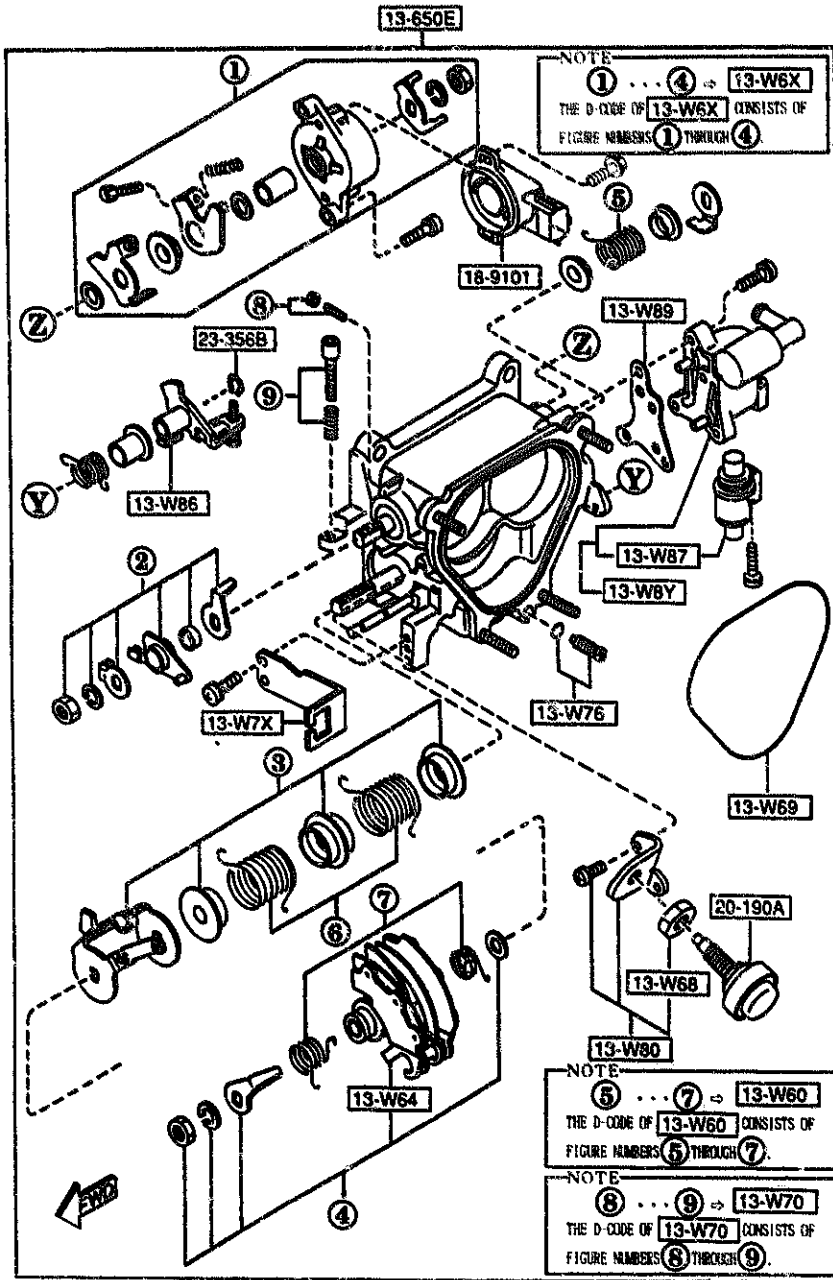


PART NO.	QTY	MODEL/RESTRICTION	MODEL/RESTRICTION	MODEL/RESTRICTION	FROM 10
13-W6X		LEVER SET, THROTTLE B			
NSA1-13-W6X	1	(MT)			
NSA2-13-W6X	1	(AT)			
13-W60		SPRING SET, THROTTLE			
NSA1-13-W60	1	(MT)			
NSA2-13-W60	1	(AT)			
13-W64		LEVER, THROTTLE			
NSA1-13-W64	1	(MT)			
NSA2-13-W64	1	(AT)			
13-W68		NUT			
NSA1-13-W68	1				
13-W69		RING, 'D'			
N390-13-W69	1				
13-W7X		HOLDER SET, THROTTLE			
NSA1-13-W7X	1	BODY			
13-W70		SCREW SET, THROTTLE B			
NSA1-13-W70	1	OLY			
13-W76		SCREW, ID. ADJUST-TH.			
NSA1-13-W76	1	BODY			
13-W8Y		HOUSING, WAX			
NSA1-13-W8Y	1				
13-W80		BRKT SET, DASH POT-TH			
NSA1-13-W80	1	ROT			
13-W86		CAM, FIRST IDLE			
NSA1-13-W86	1				
13-W87		WAX, THERMO			
NSA1-13-W87	1				
13-W89		GASKET, THERMO			

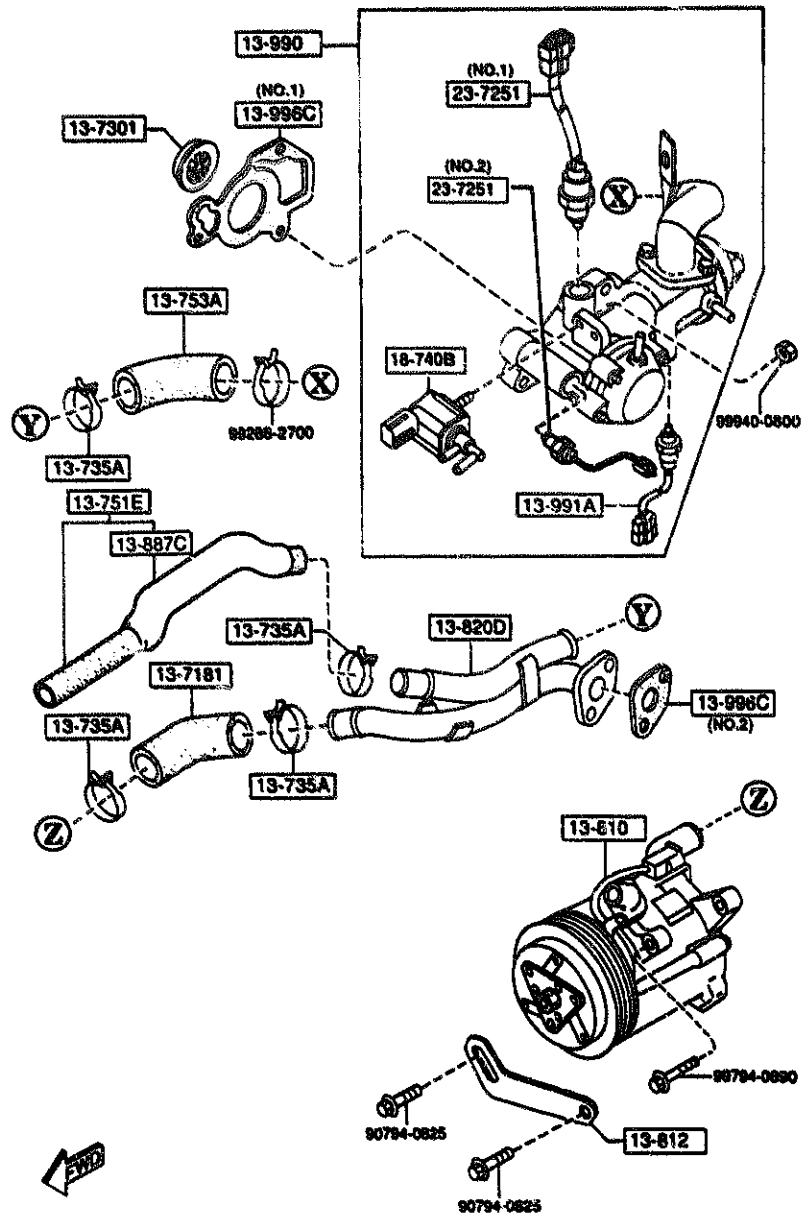
AUFA04

CAT. AUFA04-06

1994-09



PART NO.	QTY	MODEL/RESTRICTION	MODEL/RESTRICTION	MODEL/RESTRICTION	FROM TO
CONT'D NSA1-13-W89	1				
13-650E		BODY, THROTTLE			
NSA1-13-640	1	(MT)			
NSA2-13-640	1	(AT)			
18-910T		SENSOR, THROTTLE POSI TION			
NSA1-18-911	1	(MT)			
NSA2-18-911	1	(AT)			
20-190A		DASH POT			
NSA1-20-190	1				
23-356B		RING, STOP			
N236-23-356	1				

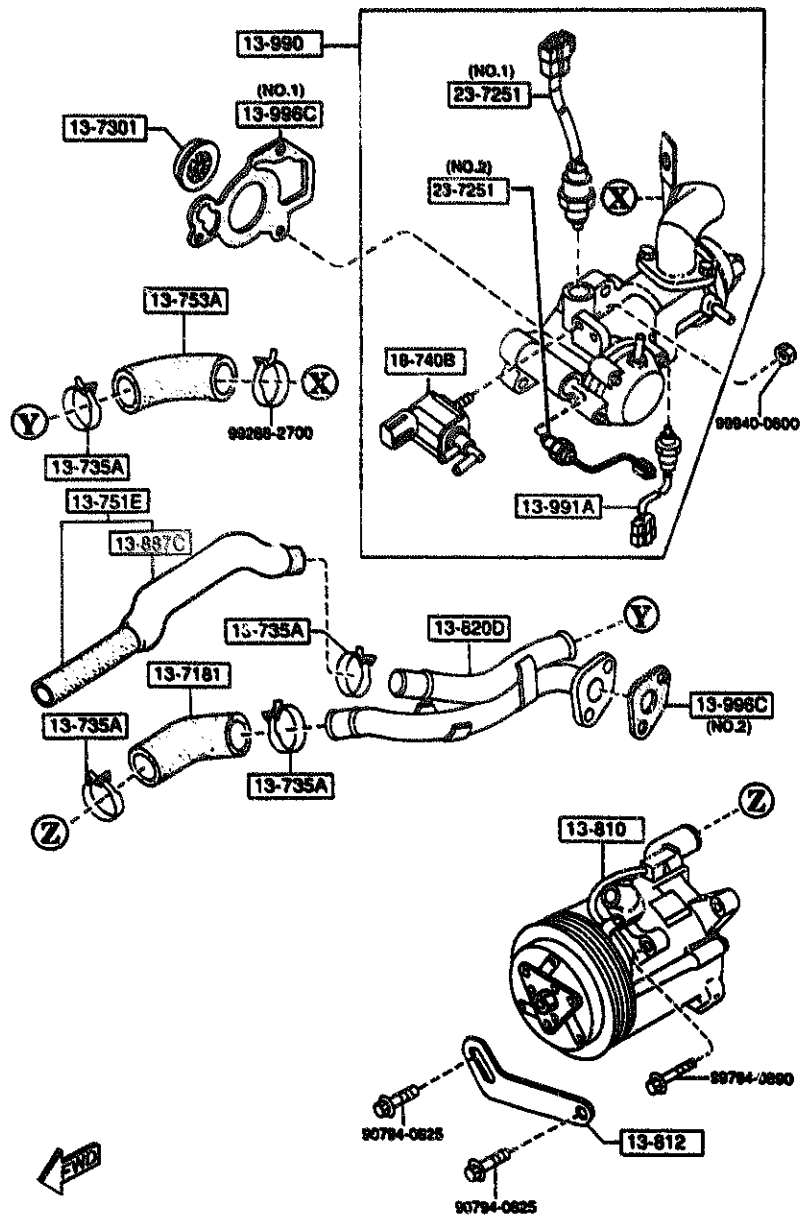


PART NO.	QTY	MODEL/RESTRICTION	MODEL/RESTRICTION	MODEL/RESTRICTION	FROM TO
13-7181		HOSE, AIR			
NSA3-20-752	1				
13-7301		VALVE, CHECK			
1480-13-730	1				
13-735A		CLAMP, HOSE			
NF01-13-739	4				
13-751E		HOSE, AIR			
NSA3-13-750A	1				-3510
NSA3-13-750A	1				3510-
13-753A		HOSE, AIR			
NSA3-13-753	1				
13-810		PUMP, AIR			
NSA3-13-810	1 (MT)				
NSA4-13-810	1 (AT)				
13-812		STRAP, AIR PUMP			
NSA1-13-812	1				
13-820D		PIPE, AIR			
NSA3-13-820A	1				
13-887C		PROTECTOR, SPONGE			
NSA3-13-886A	1				-3510
13-990		VALVE, AIR CONTROL			
NSA3-13-990	1 (MT)				
NSA4-13-990	1 (AT)				
13-991A		VALVE, SOLENOID-A.C. VALVE			
NSA1-13-991	1				
13-996C		GASKET, A.C.V.			
NSA3-13-996	1 (ILLUST. NO.1)				
NSA4-13-996	1 (ILLUST. NO.2)				

3510 FDSMXX-210663

1371 -2 M AIR PUMP & AIR CONTROL VALVE

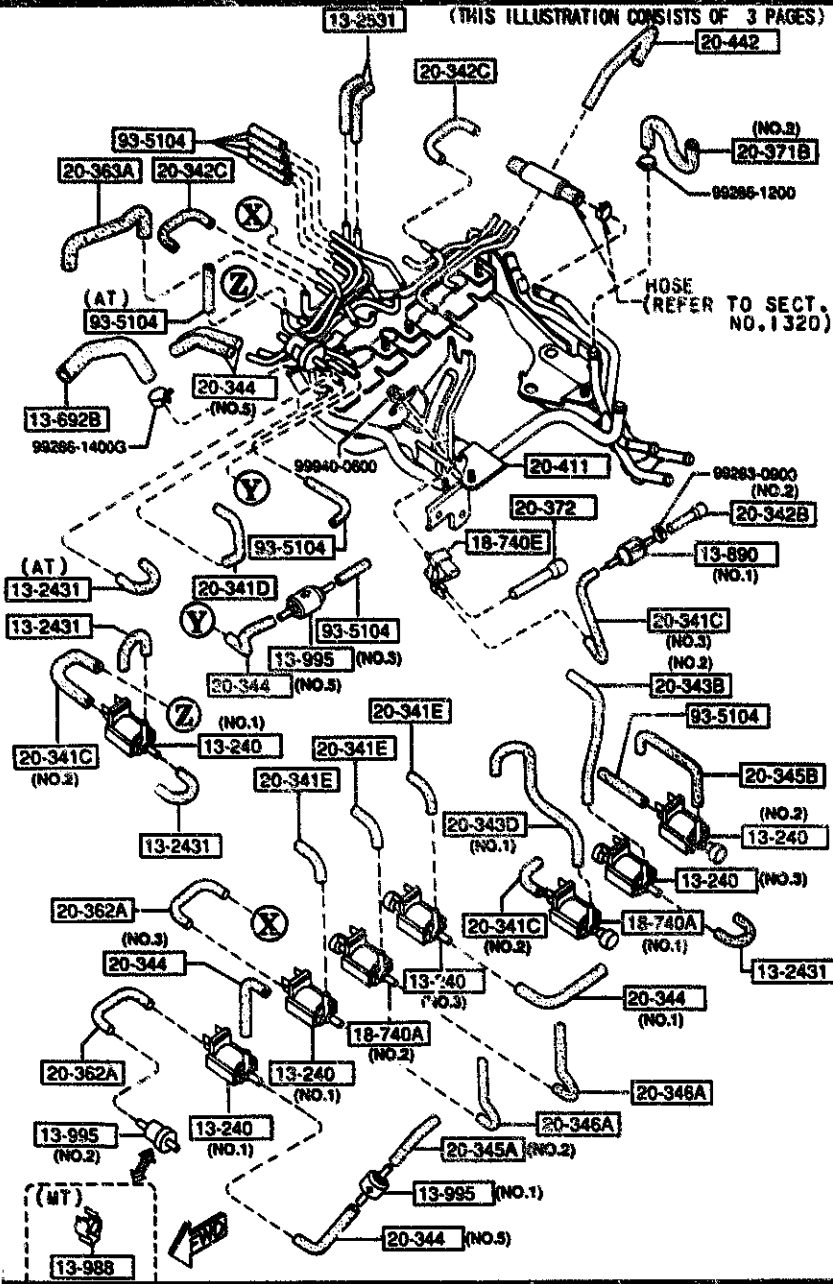
1371 AIR PUMP & AIR CONTROL VALVE



PART NO.	QTY	MODEL/RESTRICTION	MODEL/RESTRICTION	MODEL/RESTRICTION	FROM-TO
18-740B		VALVE, SOLENOID			
NSA1-18-741	1				
23-7251		VALVE, SOLENOID			
N250-20-725	1 (ILLUST. NO.1)				
N304-20-725	1 (ILLUST. NO.2)				



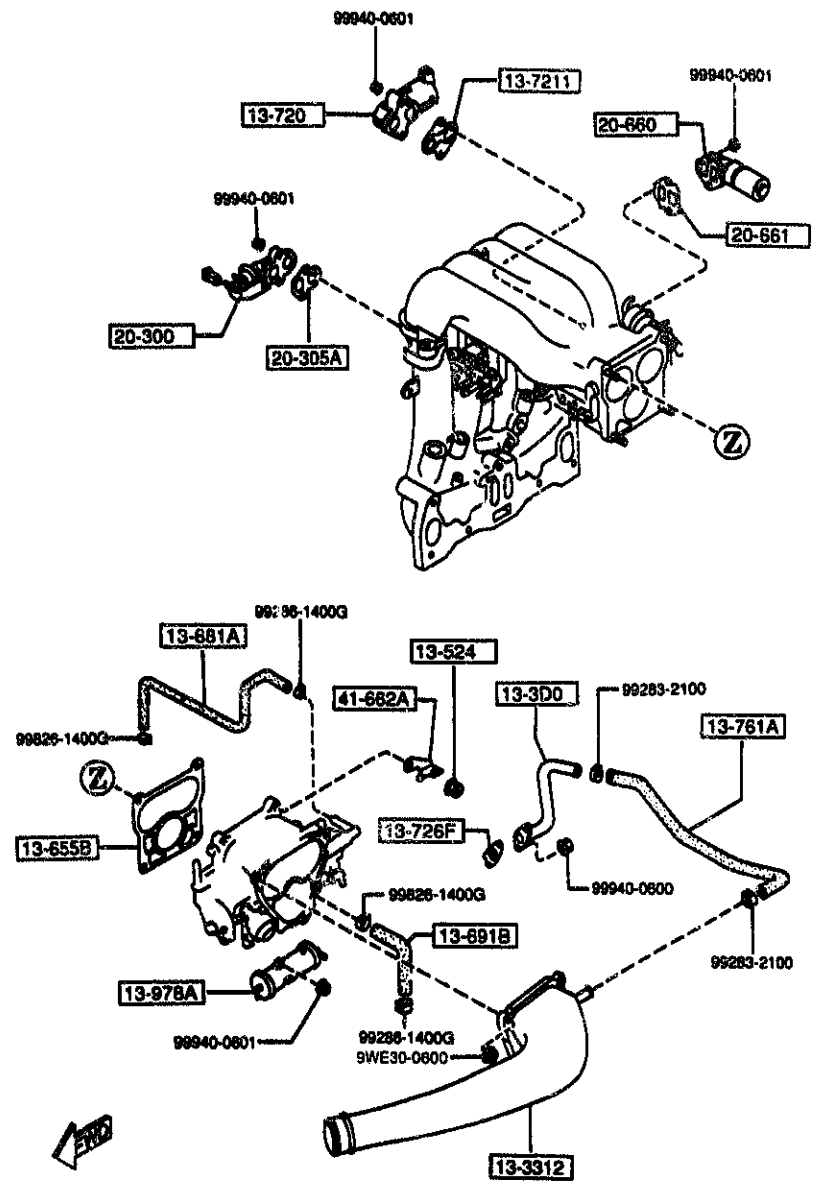
(THIS ILLUSTRATION CONSISTS OF 3 PAGES)



AUFA04

(CONT'D)

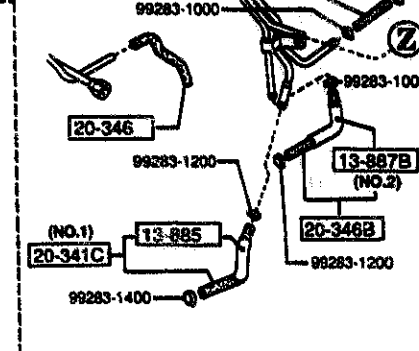
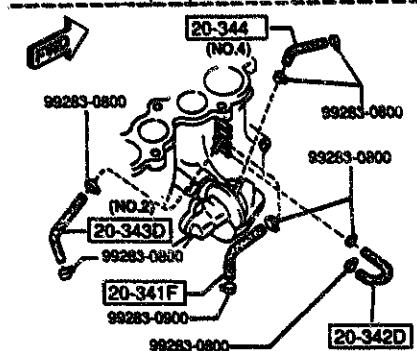
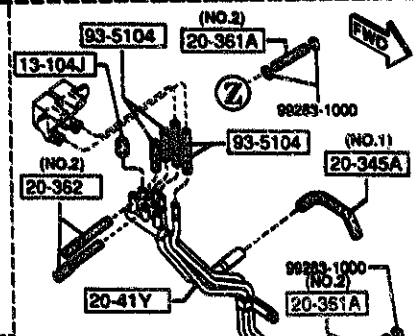
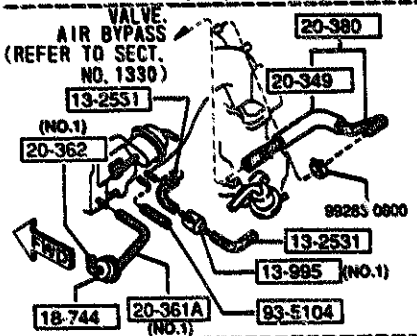
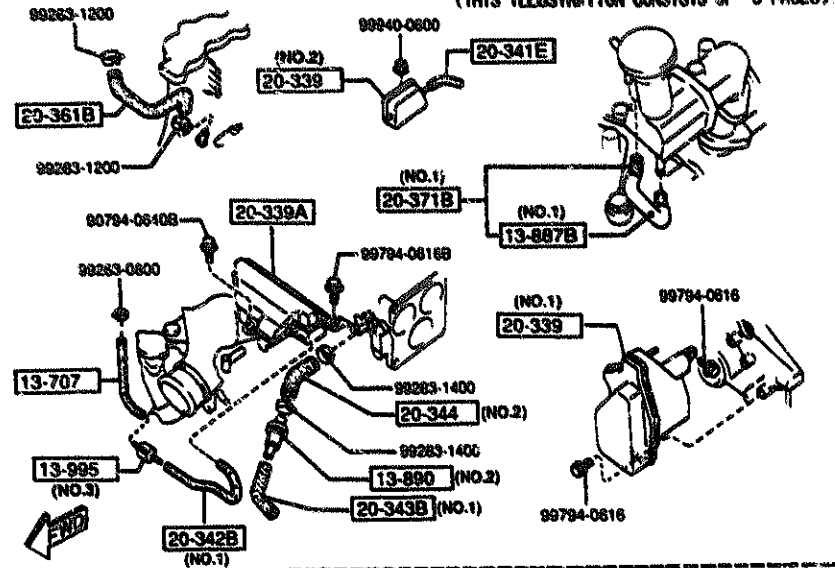
(THIS ILLUSTRATION CONSISTS OF 3 PAGES)



AUFA04

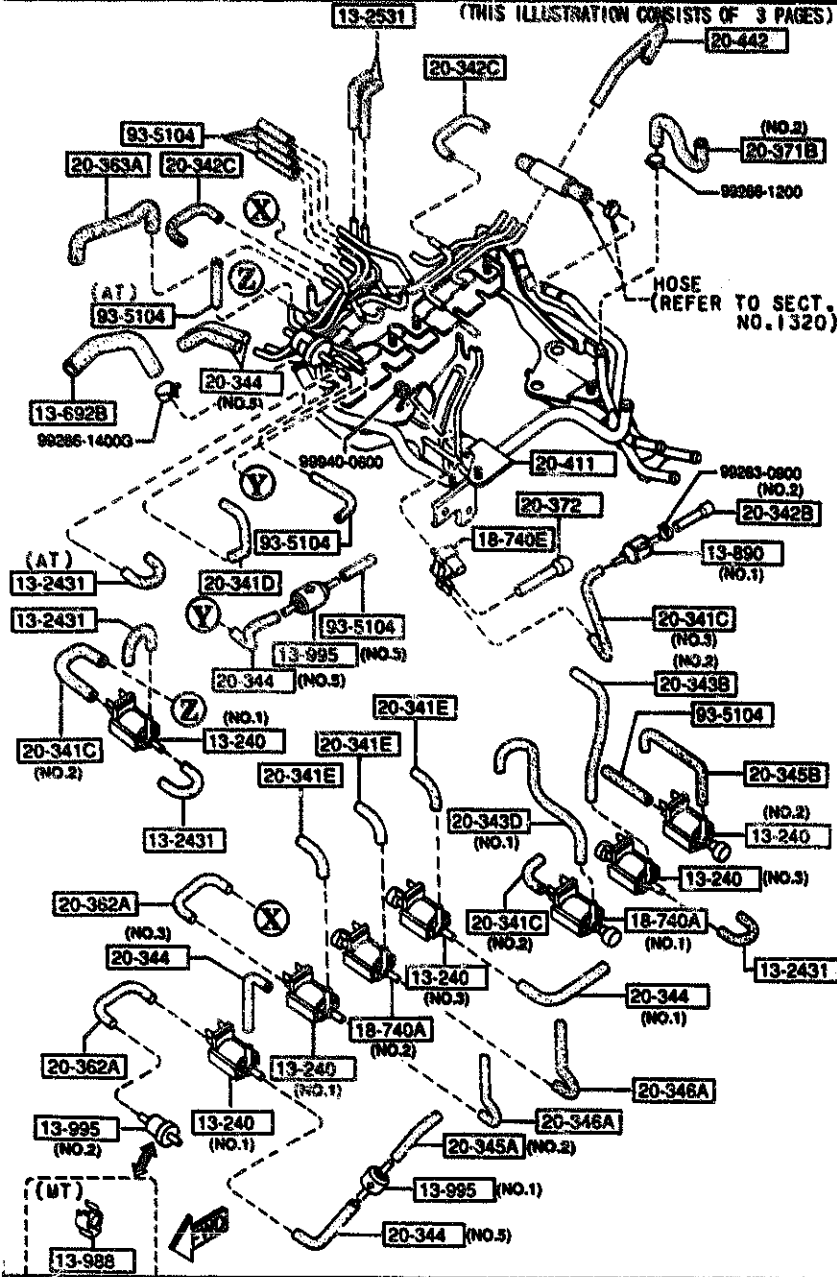
(CONT'D)

(THIS ILLUSTRATION CONSISTS OF 3 PAGES)



AUFA04

(THIS ILLUSTRATION CONSISTS OF 3 PAGES)



PART NO.	QTY	MODEL/RESTRICTION	MODEL/RESTRICTION	MODEL/RESTRICTION	FROM-TO
13-104J		CAP, BLIND			
1010-13-104	1	(MT)			
13-240		VALVE, SWAY			
1480-13-240A	3	(ILLUST. NO. 1)			
1481-13-240A	1	(ILLUST. NO. 2)			
1482-13-240A	2	(ILLUST. NO. 3)			
13-243I		HOSE, VACUUM			
NS18-20-341A	3	(MT)			
NS18-20-341A	4	(AT)			
13-253I		HOSE, VACUUM			
N236-13-253A	4				
13-300		PIPE, AIR-B.A.C.V. & A. I.H.			
NSA1-13-300A	3				
13-3312		PIPE, AIR INTAKE			
NSA1-13-330	1				
13-524		NUT			
NF01-13-524	4				
13-695B		GASKET, THROTTLE BODY			
NSA1-13-655	1				
13-681A		HOSE, WATER			
NSA1-13-681	1				
13-691B		HOSE, WATER			
NSA1-13-691	1				
13-692B		HOSE, WATER			
NSA1-13-692	1				-2401
NSA1-13-692A	1				2401-
13-707		HOSE, AIR			
N350-13-896	1				

2401 FDSMHW-204313

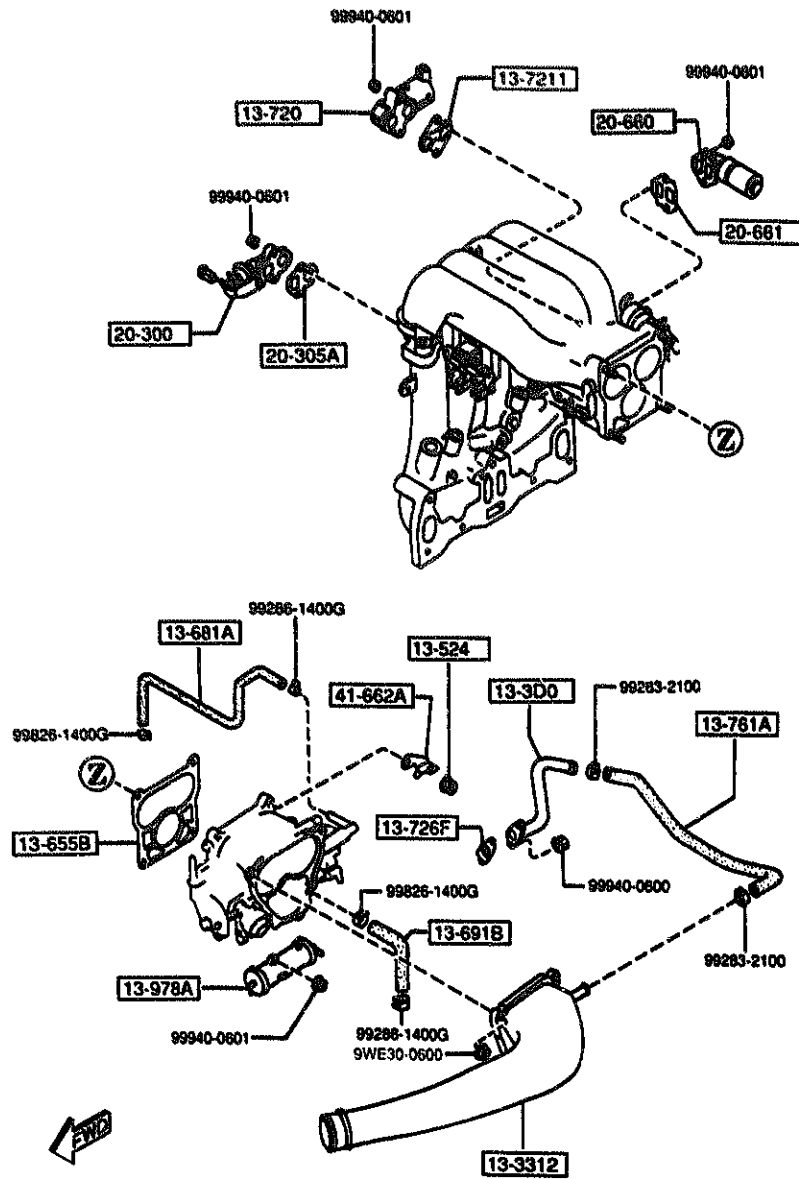
AUFA04

(CONT'D)

CAT. AUFA04-06

1994-09

(THIS ILLUSTRATION CONSISTS OF 3 PAGES)



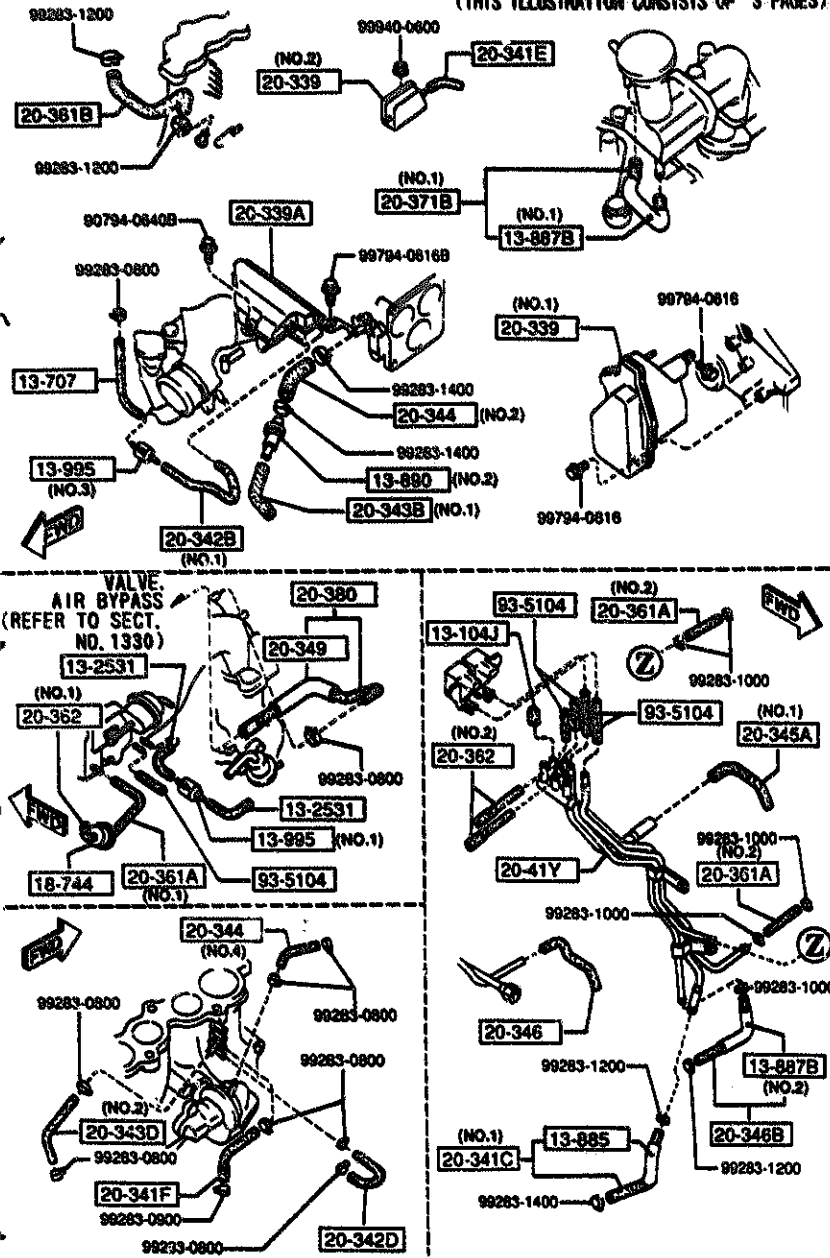
PART NO.	QTY	MODEL/RESTRICTION	MODEL/RESTRICTION	MODEL/RESTRICTION	FROM TO
13-720 NSA1-13-720	1	VALVE, SOL.-AIR BLEED EXTE			
13-7211 NSA1-13-721	1	GASKET			
13-726F NSA1-13-726	1	GASKET, SOLENOID VALVE			
13-761A NSA1-13-761A	1	HOSE, AIR			
13-885 NSA3-13-885	1	PROTECTOR, SPONGE			
13-887B NSA2-13-887A	1	PROTECTOR, SPONGE			(ILLUST. NO.1)
NSA3-13-887	1				(ILLUST. NO.2)
13-890 NF01-13-890	1	VALVE, P.C.V.			(ILLUST. NO.1)
NSA1-13-890	1				(ILLUST. NO.2)
13-978A NSA1-13-978	1	TANK, CATCH			
13-988 NF01-13-988A	1	FILTER, AIR			(MT)
13-995 HE41-13-995	2	VALVE, CHECK			(ILLUST. NO.1)
NSA1-13-995	1				(ILLUST. NO.2) (CAT)
NS90-13-995A	2				(ILLUST. NO.5)
18-740A NSA7-18-741	1	VALVE, SOLENOID			(ILLUST. NO.1)
NS90-18-741	1				(ILLUST. NO.2)
18-740E		VALVE, SOLENOID			
3422 FD3MM-210662					

-3422

1380 EMISSION CONTROL SYSTEM

(3/9)

(THIS ILLUSTRATION CONSISTS OF 3 PAGES)



1380 -3 EMISSION CONTROL SYSTEM

PART NO.	QTY	MODEL/RESTRICTION	MODEL/RESTRICTION	MODEL/RESTRICTION	FROM-10
CONT'D F285-18-741		MITSUBISHI			
18-744	1	FILTER,AIR			
S5A1-18-744	1				
20-300	1	VALVE,S.G.R.			
NSA1-20-300	1	(FED.)			
NSA3-20-300	1	(CALIF.)			
20-305A	1	GASKET,E.O.R. VALVE			
NSA1-20-305	1				
20-339	1	CHAMBER,VACUUM			
NSA1-20-339A	1	(ILLUST. NO.1)			
NSA3-20-339A	1	(ILLUST. NO.2) (AT)			
20-339A	1	CHAMBER,VACUUM			
NSA2-20-339	1				
20-341C	1	TUBE,VACUUM			
NSA3-20-340	1	(ILLUST. NO.1)			
NF01-20-341	2	(ILLUST. NO.2)			
NSA5-20-341	1	(ILLUST. NO.3)			
20-341D	1	TUBE,VACUUM			
NSA1-20-341	1				
20-341E	3	TUBE,VACUUM			
NSA2-20-341A	3	(MT)			
NSA2-20-341A	4	(AT)			
20-341F	1	TUBE,VACUUM			
NSA3-20-341A	1				
20-342B	1	TUBE,VACUUM			
NSA1-20-342	1	(ILLUST. NO.1)			
NSA5-20-342	1	(ILLUST. NO.2)			

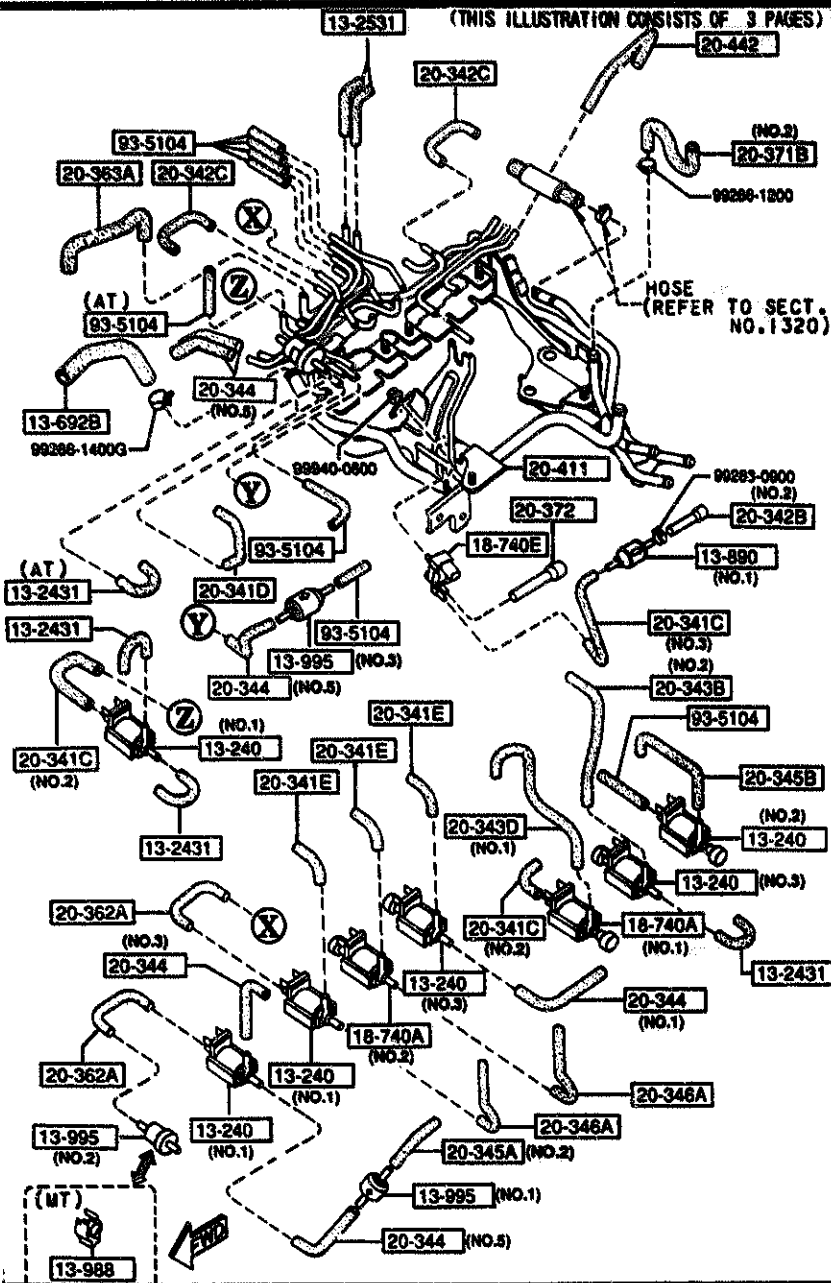
AUFA04

CAT. AUFA04-06

1994-09

(1/3)

(THIS ILLUSTRATION CONSISTS OF 3 PAGES)



PART NO.	QTY	MODEL/RESTRICTION	MODEL/RESTRICTION	MODEL/RESTRICTION	FROM TO
20-342C		TUBE, VACUUM			
NSA2-20-342	2				
20-342D		TUBE, VACUUM			
NSA3-20-342	1				
20-343B		TUBE, VACUUM			
NSA1-20-343A	1	(ILLUST. NO.1)			
NSA4-20-343	1	(ILLUST. NO.2)			
20-343D		TUBE, VACUUM			
NSA2-20-343B	1	(ILLUST. NO.1)			
NSA3-20-343A	1	(ILLUST. NO.2)			
20-344		TUBE, VACUUM			
FE4J-20-344	1	(ILLUST. NO.1)			
NSA1-20-344A	1	(ILLUST. NO.2)			
NSA2-20-344A	1	(ILLUST. NO.3) (AT)			
NSA3-20-344	1	(ILLUST. NO.4)			
NSA4-20-344	3	(ILLUST. NO.5)			
20-345A		TUBE, VACUUM			
NSA1-20-345	1	(ILLUST. NO.1)			
NSA4-20-345	1	(ILLUST. NO.2)			
20-345B		TUBE, VACUUM			
NSA2-20-345A	1				
20-346		TUBE, VACUUM			
NSA1-20-346	1				
20-346A		TUBE, VACUUM			
NSA2-20-346	2				
20-346B		TUBE, VACUUM			
NSA3-20-346	1				
C (NSA3-20-346A)					-3422
NSA3-20-346A	1				3422-
3422 FD3MHH-210662					

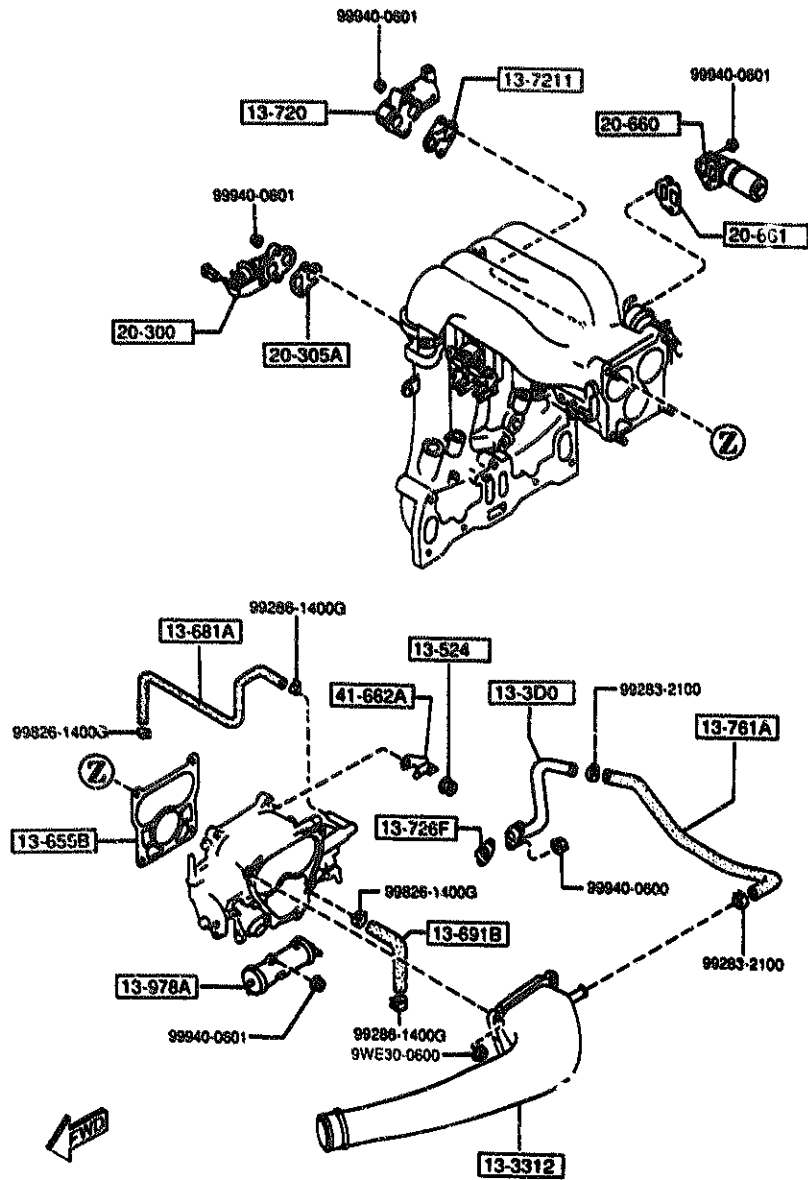
AUFA04

(CONT'D)

CAT. AUFA04-06

1994-09

(THIS ILLUSTRATION CONSISTS OF 3 PAGES)

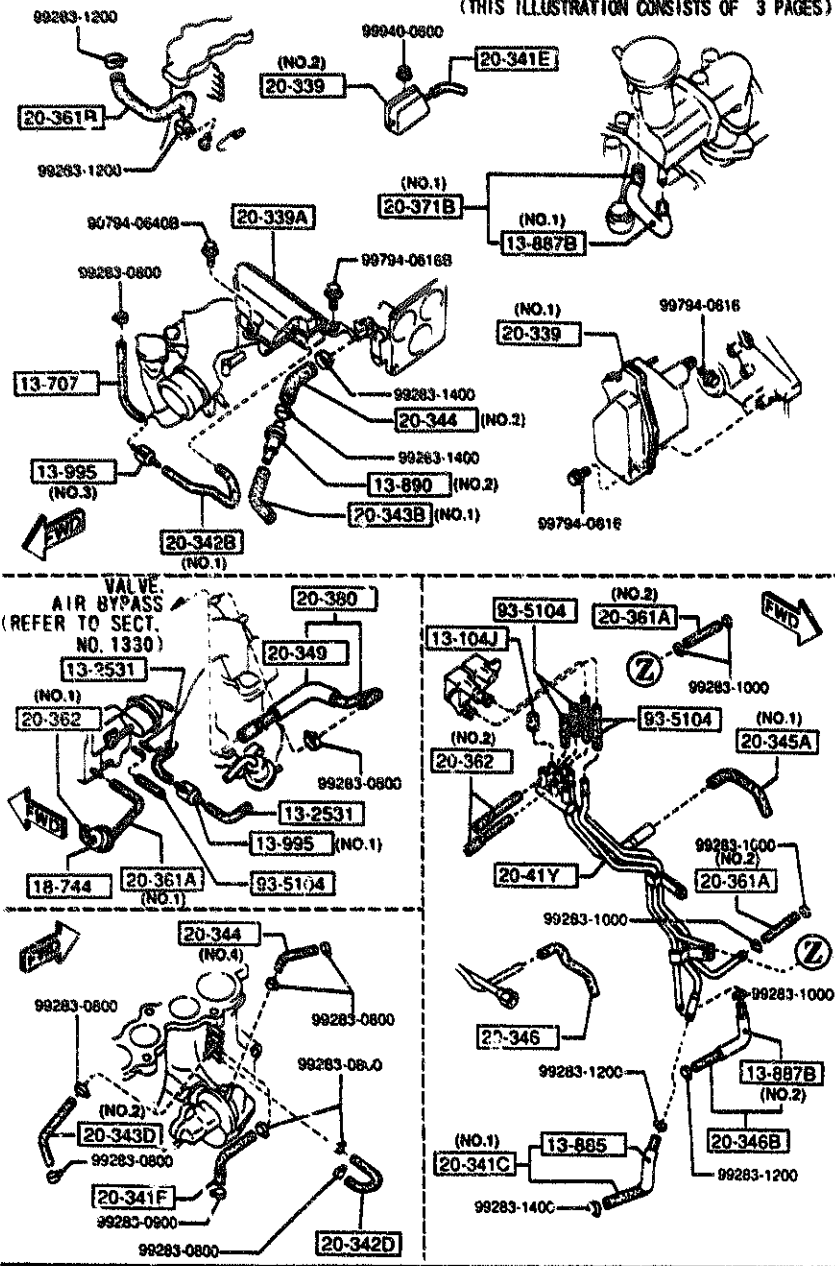


PART NO.	QTY	MODEL/RESTRICTION	MODEL/RESTRICTION	MODEL/RESTRICTION	FRDM-10
20-349 NSA1-20-348	1	PROTECTOR, VACUUM PIPE			
20-361A NSA1-20-361A NSA4-20-361	1 2	TUBE, VACUUM (ILLUST. NO.1) (ILLUST. NO.2)			
20-361B NSA2-20-361A	1	TUBE, VACUUM			
20-362 NSA1-20-362 NSA4-20-362	1 2	TUBE, VACUUM (ILLUST. NO.1) (ILLUST. NO.2)			
20-362A NSA2-20-362	2	TUBE, VACUUM			
20-363A NSA2-20-363	1	TUBE, VACUUM			
20-371B NSA2-20-370A NSA1-20-371	1 1	TUBE, VACUUM (ILLUST. NO.1) (ILLUST. NO.2)			
20-372 NSA1-20-372A	1	TUBE, VACUUM			
20-380 NSA1-20-380	1	TUBE, VACUUM			
20-41Y NSA1-20-41YA	1	PIPE, AIR-VALVE ACTUATOR			
20-411 NSA1-20-410C	1	PIPE, VACUUM			
20-442 J501-20-442	1	TUBE, VACUUM			
20-660		VALVE, IDLE AIR CONTROL			

1380 EMISSION CONTROL SYSTEM

(3/3)

(THIS ILLUSTRATION CONSISTS OF 3 PAGES)



AUFA04

1380 -6 M EMISSION CONTROL SYSTEM

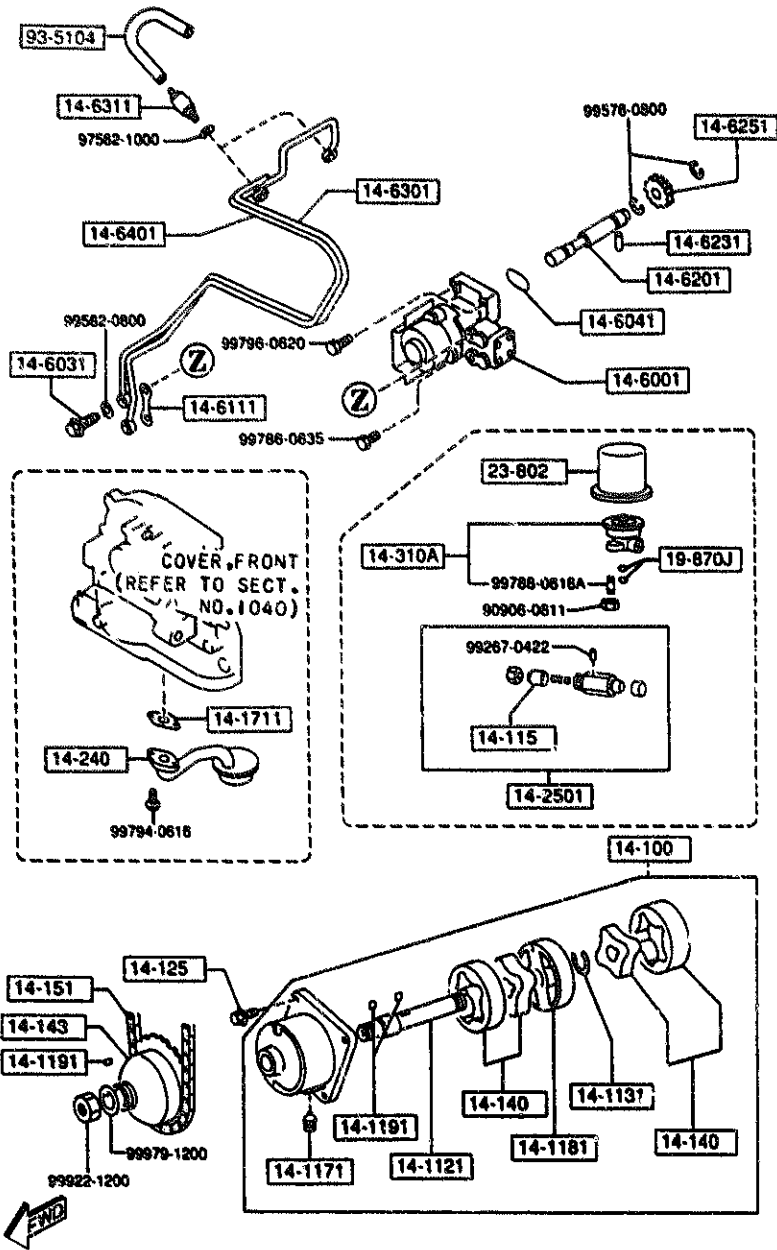
PART NO.	QTY	MODEL/RESTRICTION	MODEL/RESTRICTION	MODEL/RESTRICTION	FROM TO
CONT'D					
NSA1-20-660	1				
20-661		GASKET, B.A.C. VALVE			
NSA1-20-661	1				
41-662A		BRACKET, ACCEL CABLE			
FD01-41-662A A (FD01-41-662B)	1				-2901
FD01-41-662E	1				2901-
93-5104		HOSE			
99351-04999	1				
2901 FD3MRK-210499					

CAT. AUFA04-06

1994-09

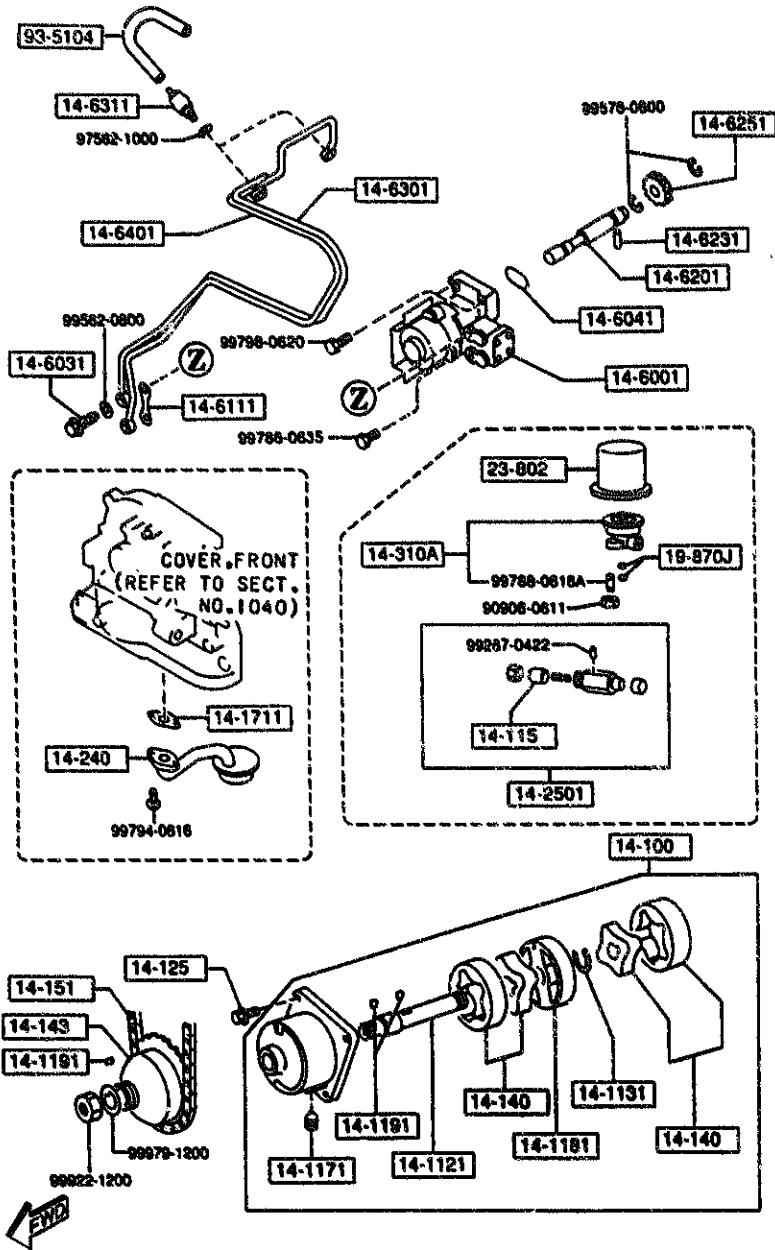


1400 OIL PUMP & FILTER



PART NO.	QTY	MODEL/RESTRICTION	MODEL/RESTRICTION	MODEL/RESTRICTION	FROM TO
14-100		PUMP, OIL			
NF01-14-100	1				
14-1121		SHAFT, OIL PUMP			
NS26-14-131	1				
14-1131		RING, SNAP			
0810-14-113	1				
14-115		PLUNGER, CONTROL			
0221-14-115	1				
14-1171		BOLT, LOCK			
NS26-14-117	1				
14-1181		PLATE, MIDDLE			
NF01-14-135	1				
14-1191		KEY			
0839-14-119B	3				
14-125		BOLT, SET			
8553-14-125	4				
14-140		ROTOR			
NS18-14-140	2				
14-143		WHEEL, SPROCKET			
NS26-14-143	1				
14-151		CHAIN, OIL PUMP			
NS26-14-151	1				
14-1711		GASKET, OIL STRAINER NON ASBESTOS			
NS86-14-248	1				
14-240		STRAINER, OIL			
NSA1-14-240A	1				
14-2501		REGULATOR, PRESSURE			

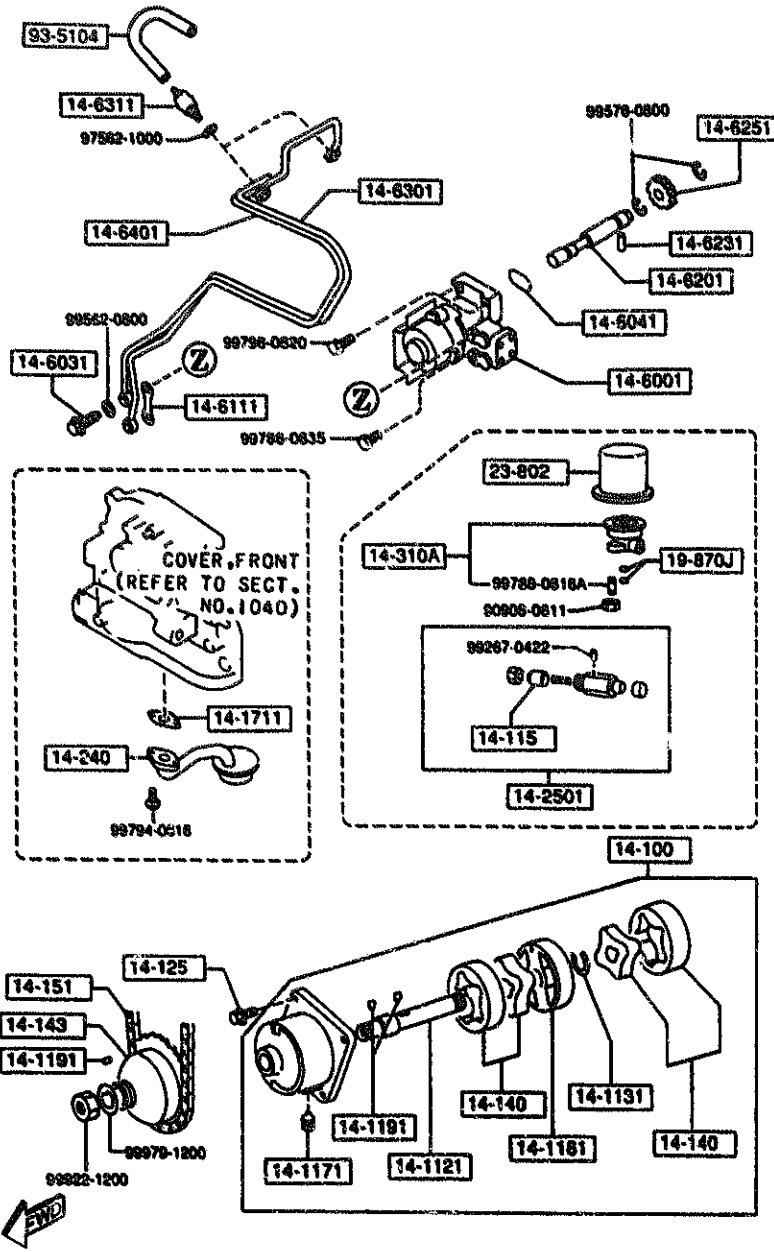
1400 OIL PUMP & FILTER



PART NO.	QTY	MODEL/RESTRICTION	MODEL/RESTRICTION	MODEL/RESTRICTION	FROM TO
CGNT'D NSA1-14-230	1				
14-310A		BODY,OIL FILTER			
NSA1-14-310A	1				
14-6001		PUMP,METERING OIL			
NSA2-14-600	1				
14-6031		BODY,CONNECTOR			
N236-14-603B	2				
14-6041		RING,'O'			
NS50-14-604	1				
14-6111		GASKET,METERING OIL			
NS90-14-602	1				
14-6201		SHAFT,DRIVEN GEAR			
NS50-14-620	1				
14-6231		PIN,DRIVEN GEAR			
0813-14-623	1				
14-6251		GEAR,DRIVEN			
0820-14-625A	1				
14-6301		TUBE,METERING OIL			
NSA1-14-660	1				
14-6311		BOLT,CONNECTOR			
NS18-14-631	2				
14-6401		TUBE,METERING OIL			
NSA1-14-670	1				
19-870J		RING,'O'			
99541-01601	2				
23-802		CARTRIDGE,OIL FILTER			
B6Y1-14-302	1	TOKYO ROKI			

1400 -3 M OIL PUMP & FILTER

1400 OIL PUMP & FILTER



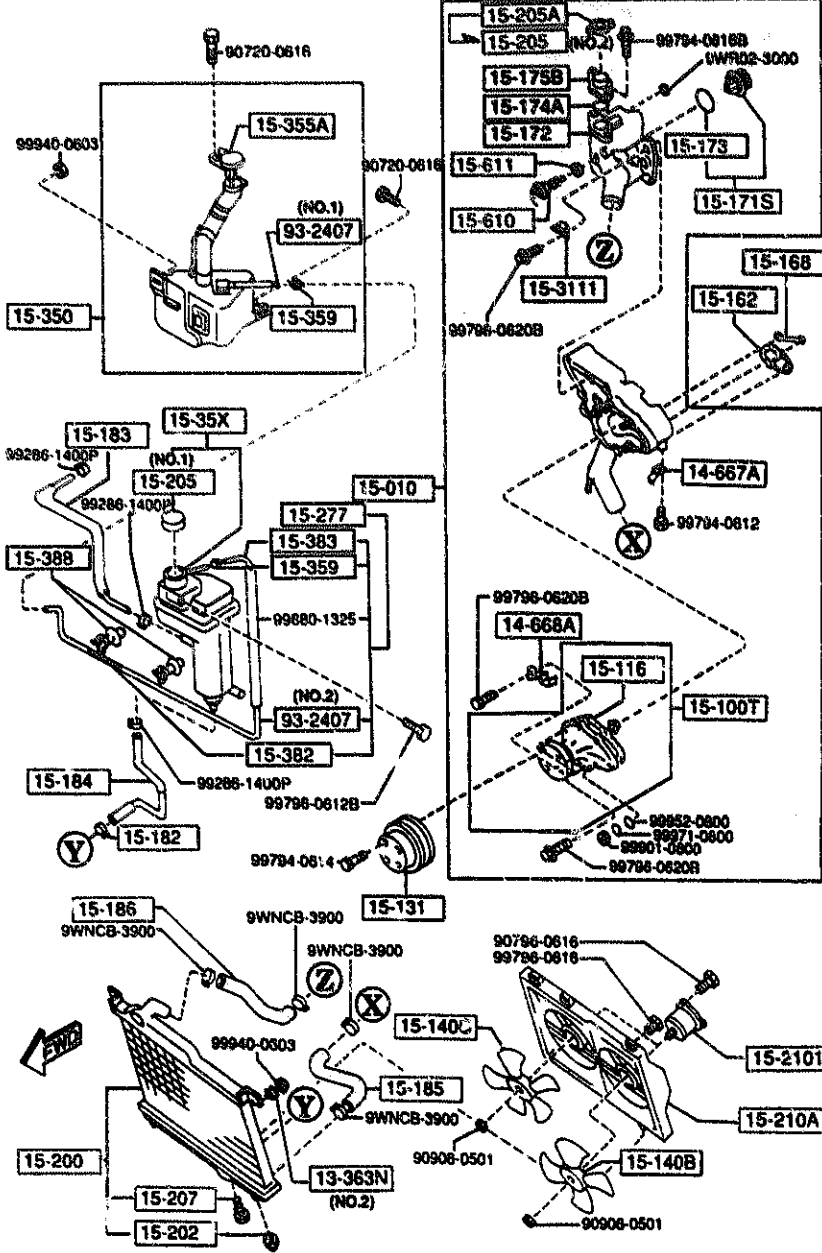
PART NO.	QTY	MODEL/RESTRICTION	MODEL/RESTRICTION	MODEL/RESTRICTION	FROM TO
93-5104 99381-04999	1	HOSE			

AUFA04

CAT. AUFA04-06

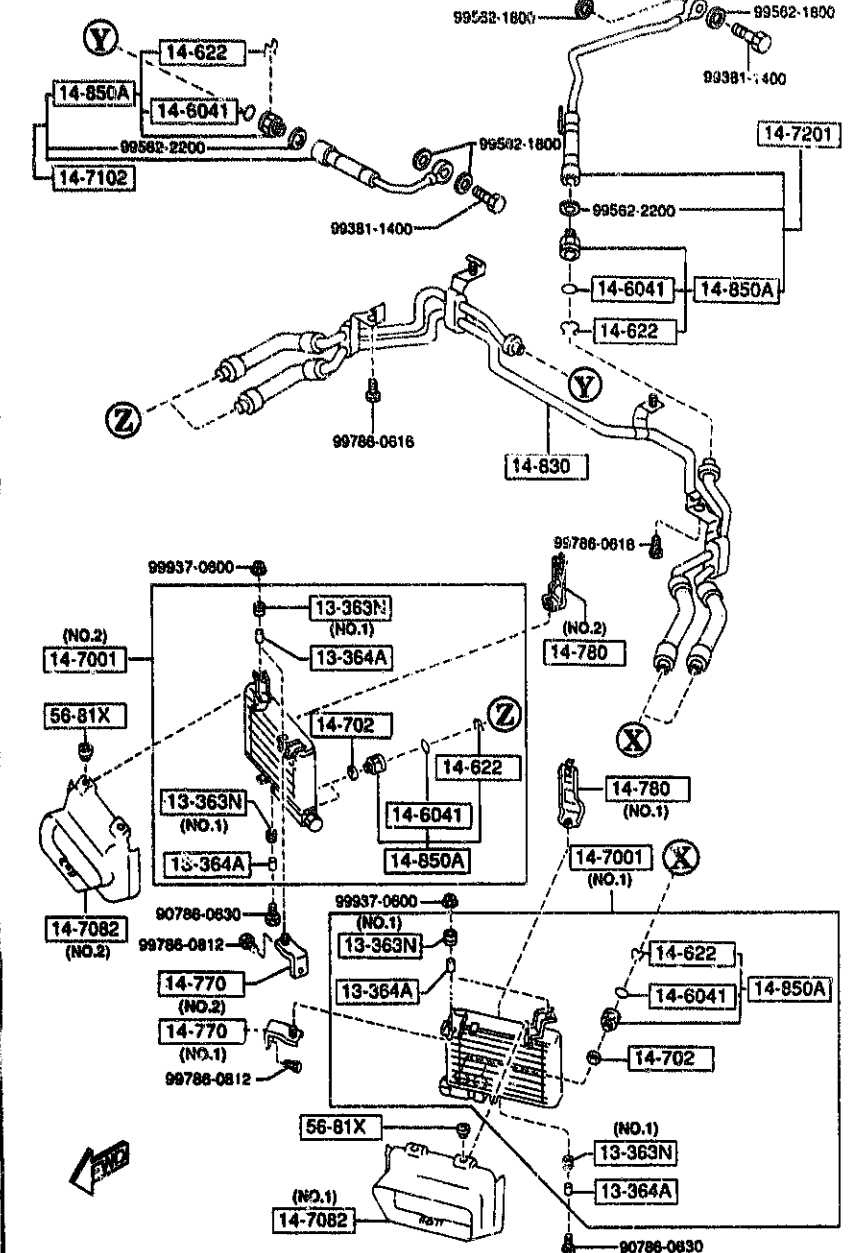
1994-09

(THIS ILLUSTRATION CONSISTS OF 3 PAGES)



(HARD SUSP)

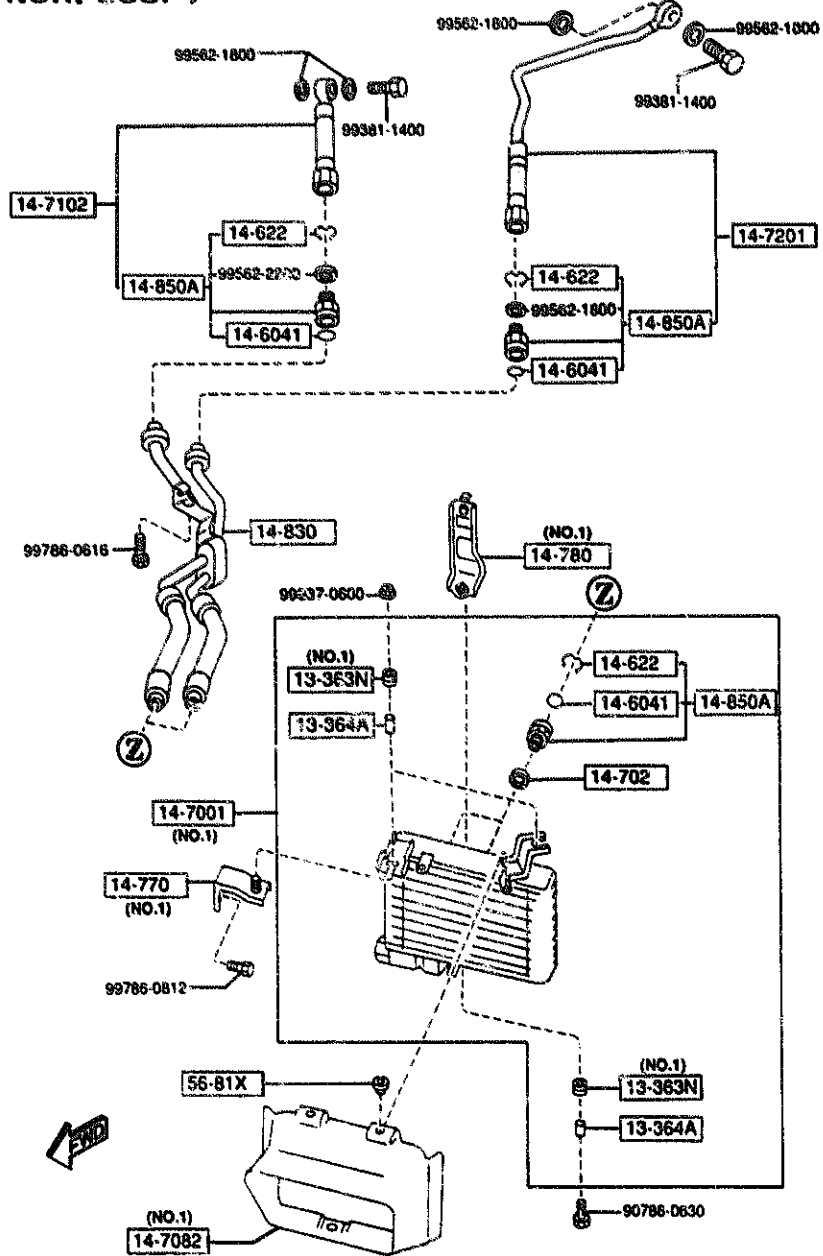
(THIS ILLUSTRATION CONSISTS OF 3 PAGES)



1500 COOLING SYSTEM  
(NOR. SUSP)

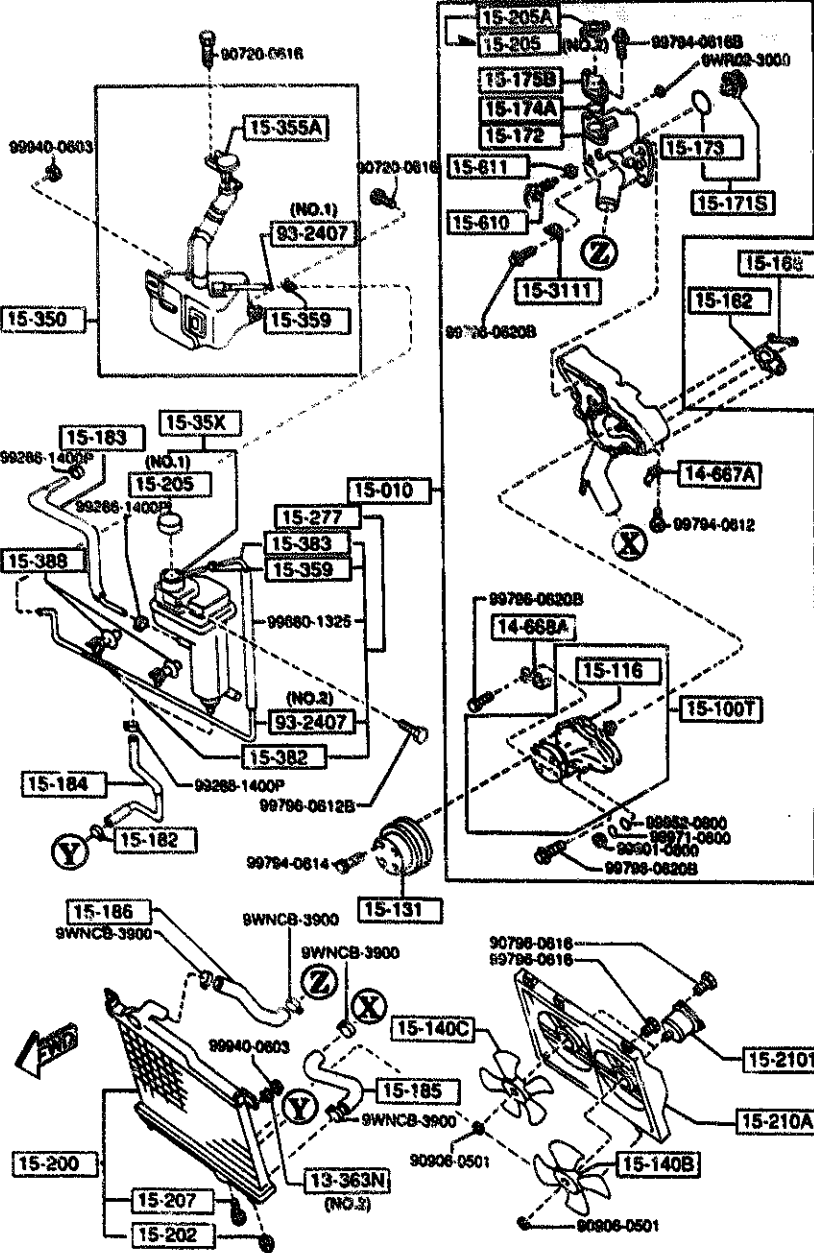
(3/3)

(THIS ILLUSTRATION CONSISTS OF 3 PAGES)



AUFAD4

(THIS ILLUSTRATION CONSISTS OF 3 PAGES)



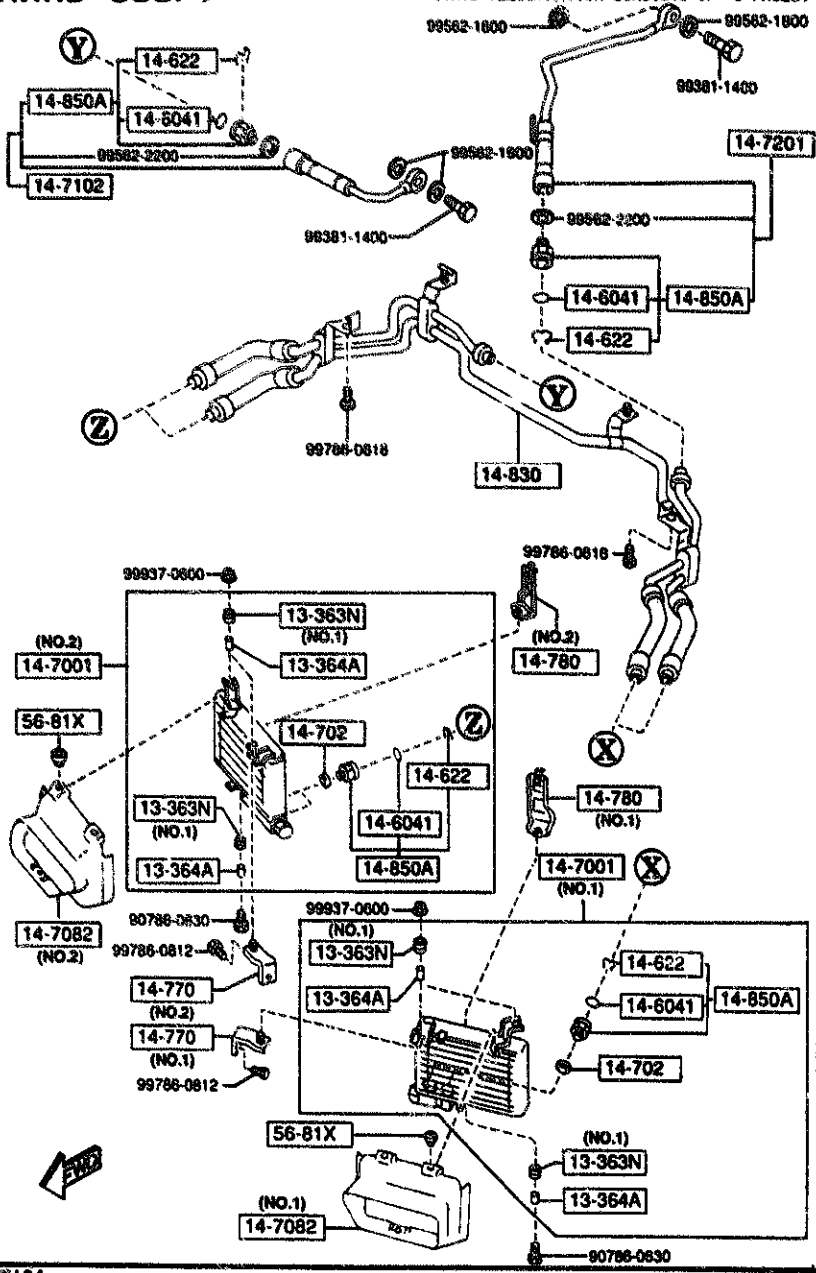
PART NO.	QTY	MODEL/RESTRICTION	MODEL/RESTRICTION	MODEL/RESTRICTION	FROM-TO
13-363N		RUBBER, MOUNTING			
NF01-13-363	3	(ILLUST. NO.1) (NDR. SUSP)			
NF01-13-363	6	(ILLUST. NO.1) (HARD SUSP)			
0222-13-363	2	(ILLUST. NO.2)			
13-364A		SPACER			
NF01-13-364	3	(NDR. SUSP)			
NF01-13-364	6	(HARD SUSP)			
14-6041		RING, 'O'			
NSA1-14-604	4	(NDR. SUSP)			
NSA1-14-604	6	(HARD SUSP)			
14-622		STOPPER, CONNECTOR			
NSA1-14-622	4	(NDR. SUSP)			
NSA1-14-622	6	(HARD SUSP)			
14-667A		CLIP, OIL TUBE			
NSA1-14-667	1				
14-668A		CLIP, M. OIL TUBE			
NSA1-14-668	1				
14-7001		COOLER, OIL			
NSA1-14-700	1	(ILLUST. NO.1)			
NSA3-14-700	1	(ILLUST. NO.2) (HARD SUSP)			
14-702		GASKET			
NSA1-14-702	2	(NDR. SUSP)			
NSA1-14-702	4	(HARD SUSP)			
14-7082		DUCT, OIL COOLER			
NSA1-14-708	1	(ILLUST. NO.1)			
NSA2-14-708	1	(ILLUST. NO.2) (HARD SUSP)			
14-7102		HOSE, OIL			
NSA1-14-710B	1	(HARD SUSP)			

1500 COOLING SYSTEM

(2/3)

(HARD SUSP)

(THIS ILLUSTRATION CONSISTS OF 3 PAGES)



PART NO.	QTY	MODEL/RESTRICTION	MODEL/RESTRICTION	MODEL/RESTRICTION	FROM TO
CONT'D					
NSA2-14-710B	1	(NOR.SUSP)			
14-7201		HOSE,OIL			
NSA1-14-720B	1				
14-770		BRACKET,OIL COOLER			
NSA1-14-770A A (NSA1-14-770B)	1	(ILLUST. NO.1)			-2401
NSA2-14-770A A (NSA2-14-770B)	1	(ILLUST. NO.2) (HARD SUSP)			-2401
NSA1-14-770B	1	(ILLUST. NO.1)			2401-
NSA2-14-770B	1	(ILLUST. NO.2) (HARD SUSP)			2401-
14-780		BRACKET,OIL COOLER			
NSA1-14-780B	1	(ILLUST. NO.1)			
NSA2-14-780B	1	(ILLUST. NO.2) (HARD SUSP)			
14-830		HOSE,OIL			
NSA1-14-830A	1	(NOR.SUSP)			
NSA3-14-830A	1	(HARD SUSP)			
14-850A		CONNECTOR,OIL COOLER			
NSA1-14-850	4	(NOR.SUSP)			
NSA1-14-850	6	(HARD SUSP)			
15-010		PUMP,WATER			
NSA1-15-010C	1	(MT)			-2401
NSA2-15-010C	1	(AT)			-2401
NSA1-15-010D	1	(MT)			2401-
NSA2-15-010D	1	(AT)			2401-
15-100T		HOUSING SET,BRG WATE R PUMP			
8AP4-15-100	1				
15-116		GASKET,WATER PUMP			
NSA1-15-116	1				
15-131		PULLEY,WATER PUMP			
NSA1-15-131	1				
2401 FDSMXX-204313					

AUFA04

(CONT'D)

CAT. AUFA04-06

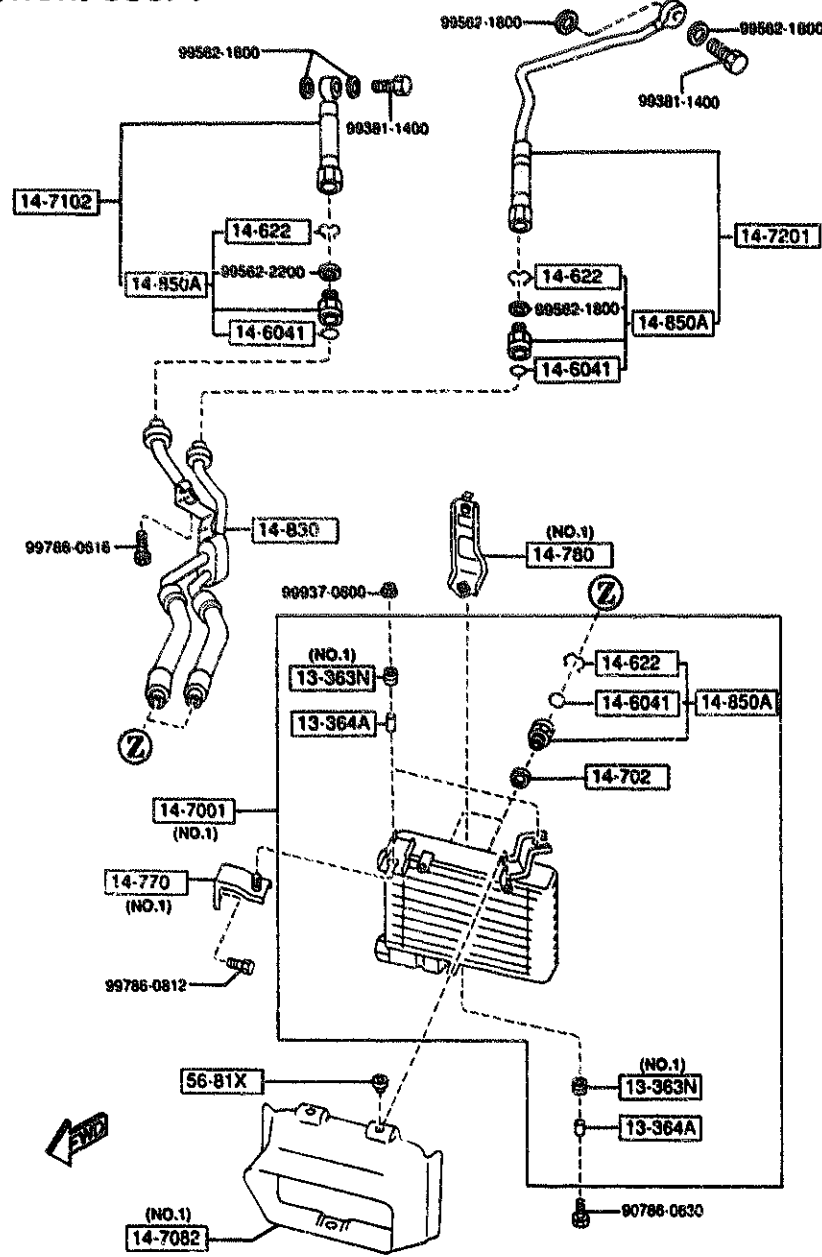
1994-09

1500 COOLING SYSTEM  
(NOR. SUSP)

(3/3)

(THIS ILLUSTRATION CONSISTS OF 3 PAGES)

1500 -3 COOLING SYSTEM



PART NO.	QTY	MODEL/RESTRICTION	MODEL/RESTRICTION	MODEL/RESTRICTION	FROM-TO
15-140B		FAN(R), COOLING			
NSA1-15-140	1				
15-140C		FAN(L), COOLING			
NSA2-15-140	1				
15-162		GASKET			
NS86-15-162	1	NDN ASBESTOS			
15-168		SHIM, WATER PIPE BRACKET			
NSA1-15-168	1				
15-171S		THERMOSTAT SET			
8AF5-15-171	1				
15-172		COVER, THERMOSTAT			
NSA1-15-172	1 (MT)				
NSA2-15-172	1 (AT)				
15-173		GASKET, THERMOSTAT COVER			
NS90-15-173	1	NON ASBESTOS			
15-174A		RING			
NS26-15-174	1				
15-175B		BODY, FILLER CAP			
NS23-15-175	1				
15-182		CLAMP, WATER HOSE			
NSA1-15-182	1				
NSA1-15-182A	1				
15-183		HOSE, WATER			
NSA1-15-183	1				
15-184		HOSE, WATER			
NSA1-15-184A	1				
3201 F03MM-210578					

-3201  
3201-

AUFA04

CAT. AUFA04-06

1994-09



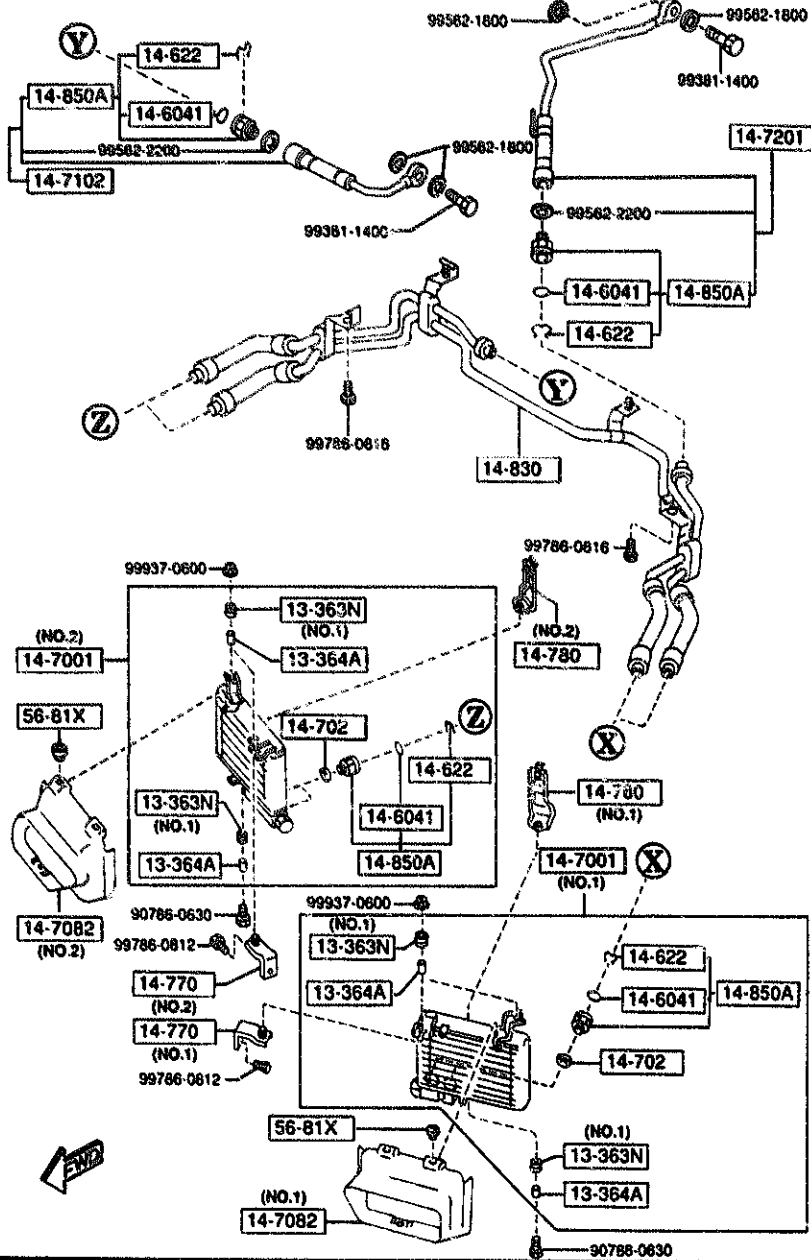


1500 COOLING SYSTEM  
(HARD SUSP)

(2/3)

(THIS ILLUSTRATION CONSISTS OF 3 PAGES)

1500 -5 M COOLING SYSTEM



PART NO.	QTY	MODEL/RESTRICTION	MODEL/RESTRICTION	MODEL/RESTRICTION	FROM TO
CONT'D NSA1-15-35XA	1				
15-350		TANK, SUB-RADIATOR			-2904
NSA1-15-350A AN(NSA1-15-350B)	1				2904-
NSA1-15-350B	1				
15-355A		CAP, SUB TANK			
NSA1-15-355	1				
15-359		PIPE, JOINT			
NSA1-15-359	2				
15-382		PROTECTOR, HOSE-SUB T ANK			
F201-15-382	1				
15-383		HOSE, SUB TANK			
NSA1-15-383	1				
15-388		CLIP, HOSE-SUB T. & WA TER H			
F201-15-388A	2				
15-610		SENSOR, WATER LEVEL			
NSA1-15-610	1				
15-611		GASKET			
8853-15-611	1				
56-81X		FASTENER, DUCT PANEL			
FB01-56-81X	3	(NDR. SUSP)			
FB01-56-81X	6	(HARD SUSP)			
93-2407		HOSE, WATER			
99324-07200	1	(ILLUST. NO.1)			
99324-07400	1	(ILLUST. NO.2)			1C21-
1C21 FDSMMX-200106 2904 FDSMMX-210500					

AUFA04

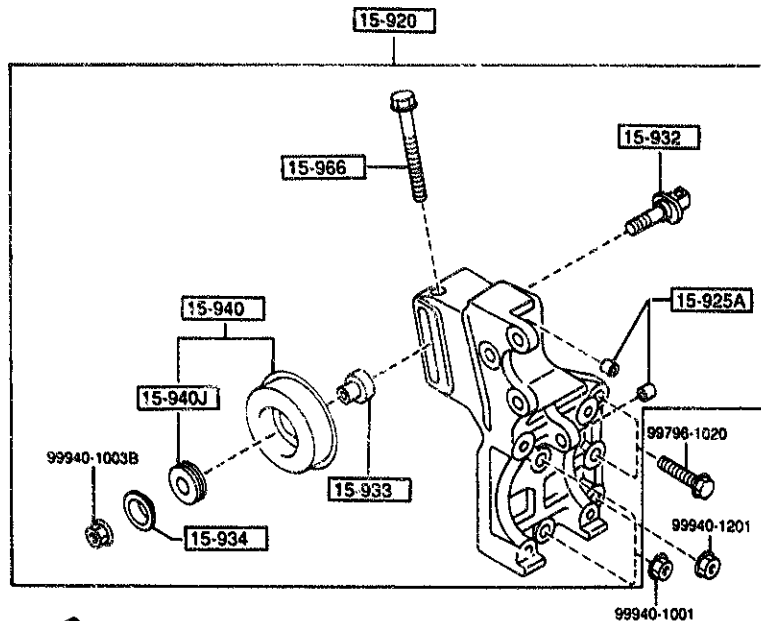
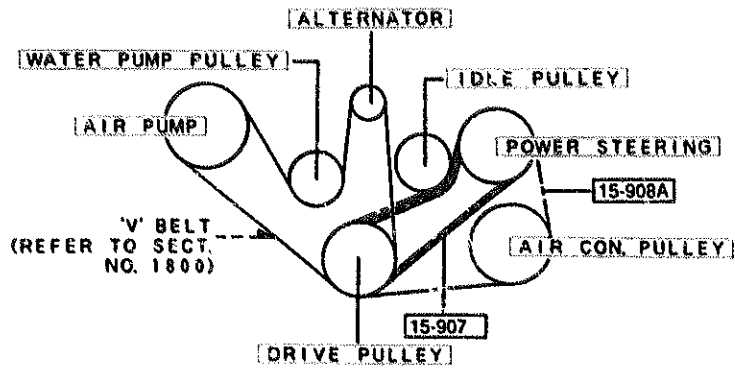
(CONT'D)

CAT. AUFA04-06

1994-09

1580 BRACKET, PULLEY & BELT

1580 -1 \* BRACKET, PULLEY & BELT



PART NO.	QTY	MODEL/RESTRICTION	MODEL/RESTRICTION	MODEL/RESTRICTION	FROM TO
15-907		BELT 'V'			
NSA1-15-907	1	6PK-920 (W/ P.S.)			
15-908A		BELT, V			
NSA1-15-908	1	6PK-1045 (W/AIR CON.)			
15-920		BRACKET, COMPRESSOR			
NSA1-15-910A	1				
15-925A		BUSH			
N326-15-812	2	(W/ P.S.)			
15-932		SHAFT, PULLEY			
NSA1-15-932	1	(W/ P.S.)			
15-933		COLLAR, COMP. BRKT			
NSA1-15-933	1	(W/ P.S.)			
15-934		COVER, DUST			
NSA1-15-934	1	(W/ P.S.)			
15-940		PULLEY, IDLE			
NSA1-15-94Y	1	(W/ P.S.)			
15-940J		BEARING			
99606-23030	1	(W/ P.S.)			
15-966		BOLT, ADJUST			
NSA1-15-966	1	(W/ P.S.)			

AUFA04

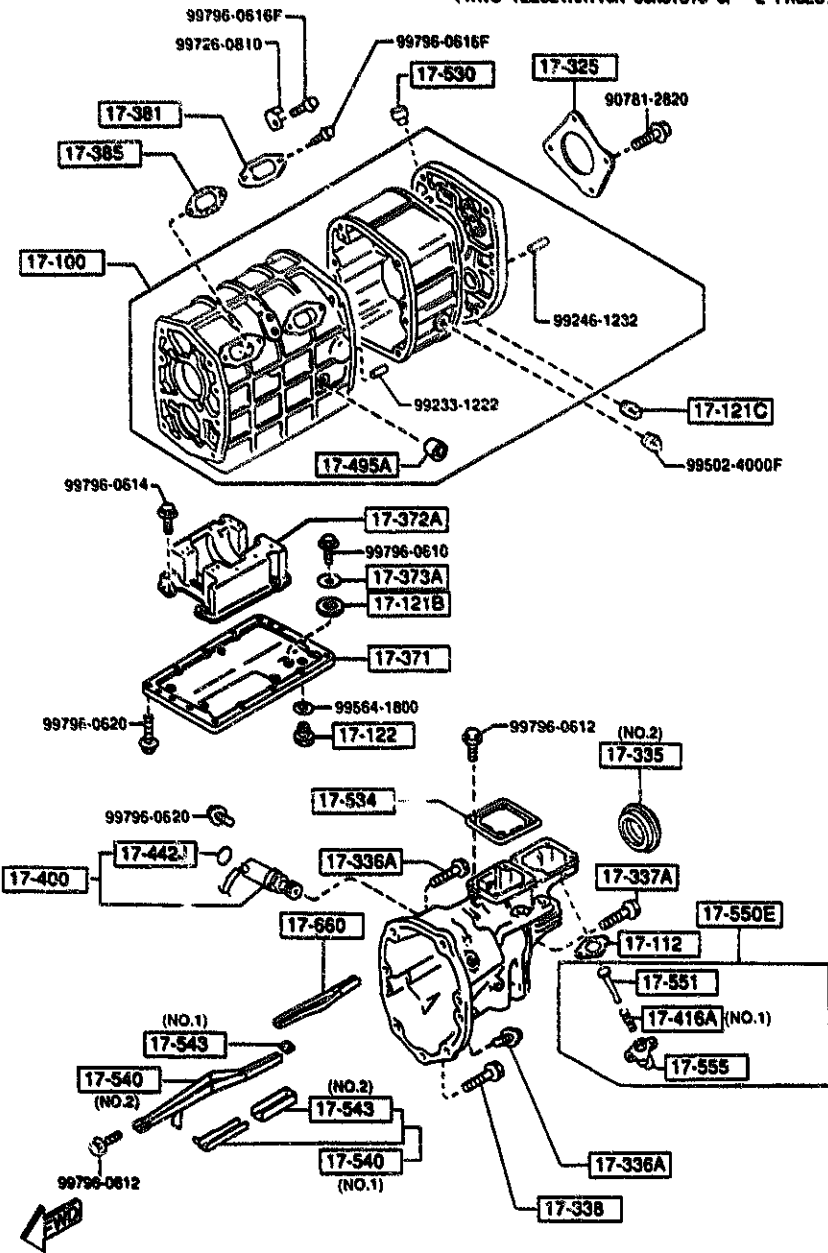
CAT. AUFA04-06

1994-09

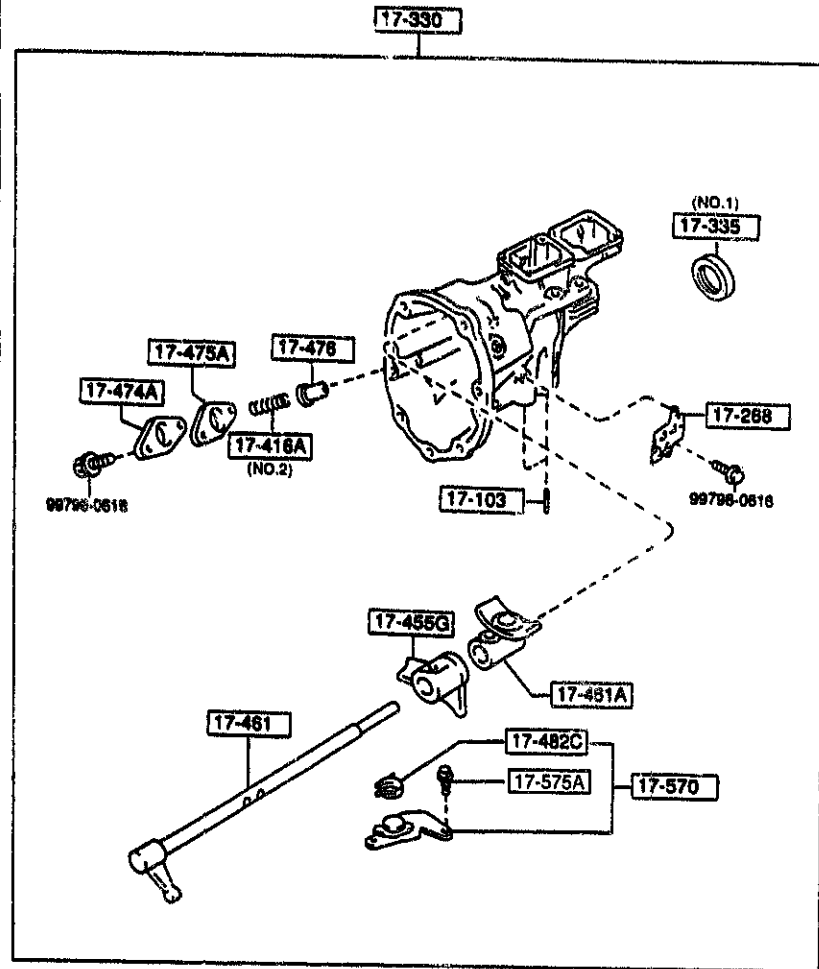




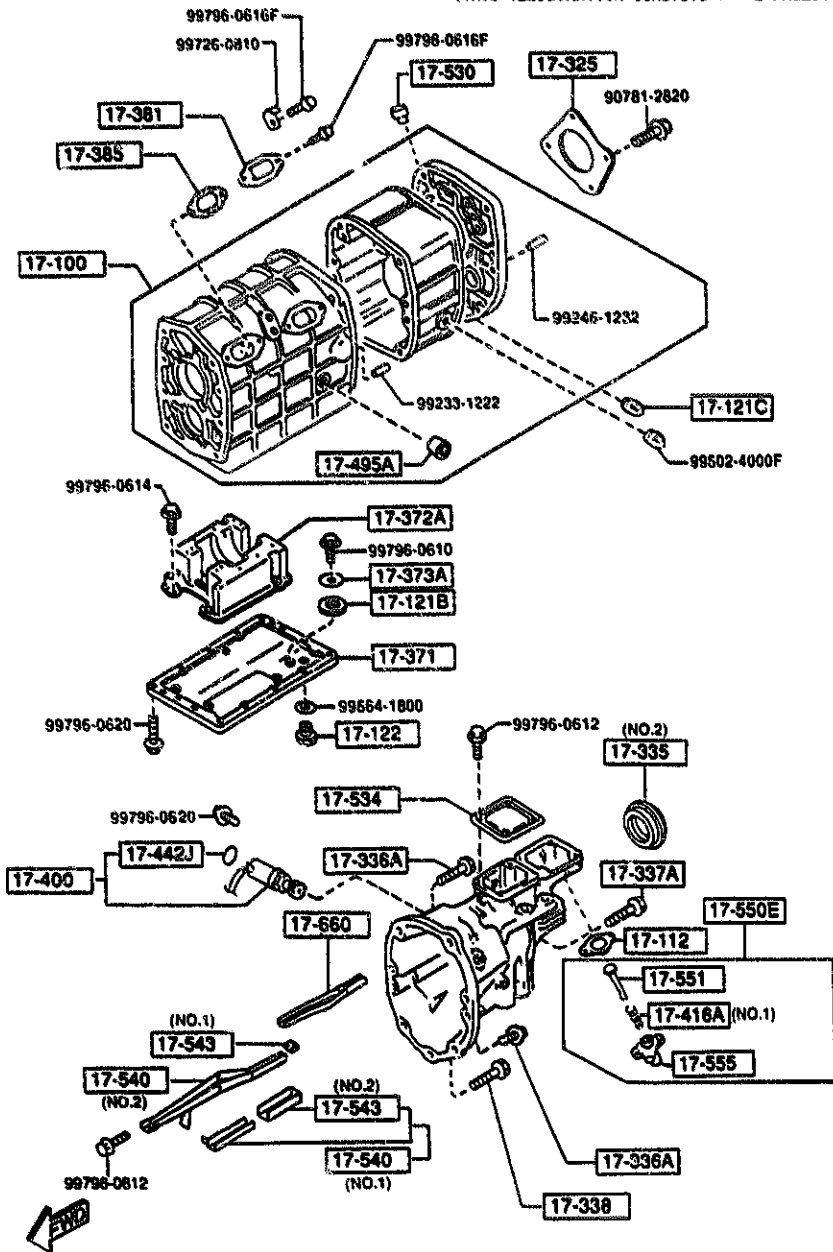
(THIS ILLUSTRATION CONSISTS OF 2 PAGES)



(THIS ILLUSTRATION CONSISTS OF 2 PAGES)



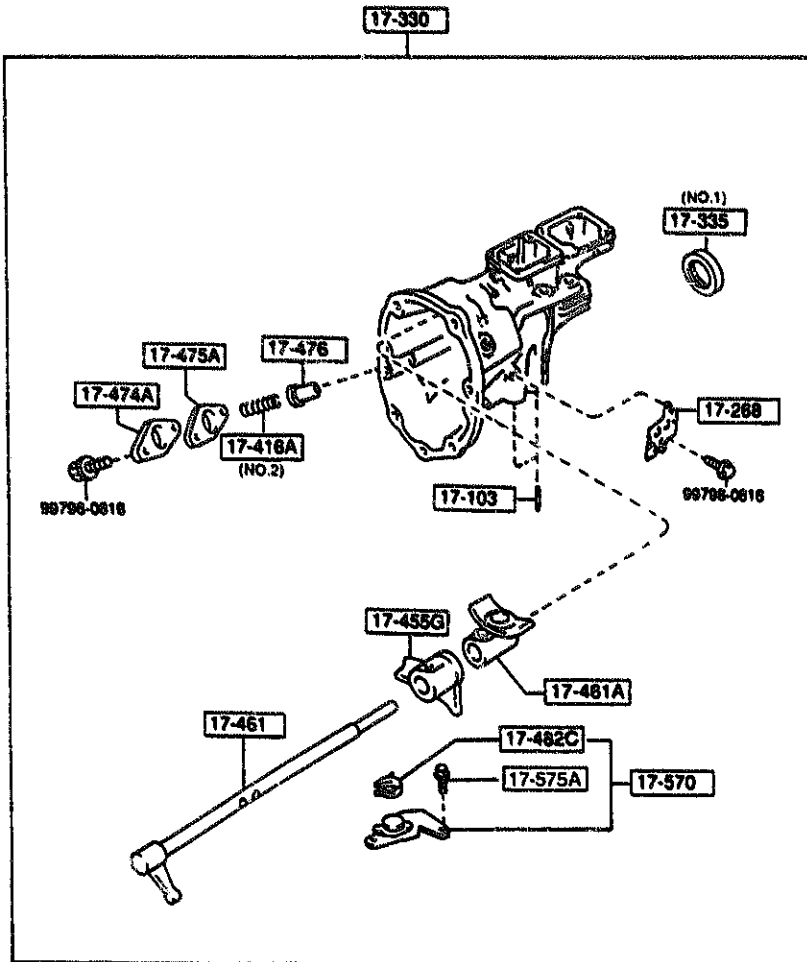
(THIS ILLUSTRATION CONSISTS OF 2 PAGES)



PART NO.	QTY	MODEL/RESTRICTION	MODEL/RESTRICTION	MODEL/RESTRICTION	FROM TO
17-100		CASE, T/MISSION			
R501-17-20XA	1				
17-103		BOLT			
R526-17-103	2				
17-112		GASKET			
S524-17-112	1				
17-121B		MAGNET			
R501-17-121	1				
17-121C		PLUG, MAGNET			
0107-17-121	1				
17-122		PLUG, MAGNET			
0810-17-121	1				
17-268		CLIP			
R507-17-268	1				
17-325		COVER, BEARING			
0884-17-325B	1				
17-330		HOUSING, EXTENSION			
R526-17-330	1				
R526-17-330A	1				
17-335		SEAL, OIL			
05A0-17-335	1	(ILLUST. NO.1)			
R501-17-335A	1	(ILLUST. NO.2)			
17-336A		BOLT			
R505-17-337	5				
17-337A		BOLT			
R504-17-337	1				
17-338		BOLT			
R502-17-338	1				
3601 FDSMMH-210664					

-3601  
3601-

(THIS ILLUSTRATION CONSISTS OF 2 PAGES)

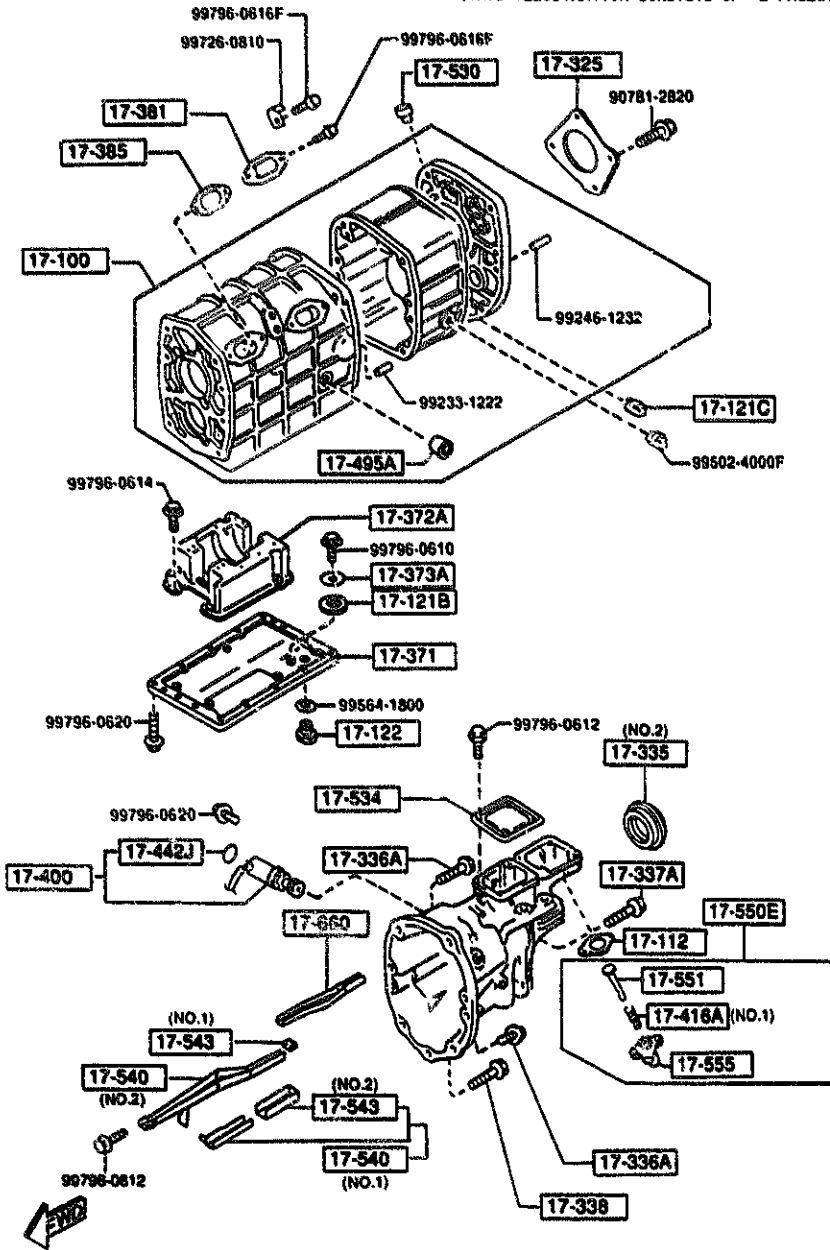


PART NO.	QTY	MODEL/RESTRICTION	MODEL/RESTRICTION	MODEL/RESTRICTION	FROM TO
17-371		COVER, UNDER			
R502-17-371	1				
17-372A		BAFFLE, OIL			
R501-17-372	1				
17-373A		PLATE, DRAIN PLUG-UNDER C.			
R501-17-373	1				
17-381		COVER, BLIND			
0810-17-381A	2				
17-385		GASKET, BLIND COVER NON ASBESTOS			
R501-17-385A	2				
17-400		GEAR SET, DRIVEN-SPEED			
R505-17-400A A (R505-17-400E)	1				-2407
R505-17-400B	1				2407-
17-416A		SPRING			
R505-17-416	1	(ILLUST. NO.1)			
R506-17-416	1	(ILLUST. NO.2)			
17-442J		RING, 'D'			
1011-17-443	1				
17-455G		SELECTOR			
R504-17-455	1				
17-461		LEVER, CONTROL			
R514-17-450	1				-3601
R514-17-450A	1				3601-
17-461A		END, CONTROL LEVER			
R522-17-461 A (R522-17-461A)	1				-3601
R522-17-461A	1				3601-
17-474A		CAP, SPRING			

2407 FDSMNN-204586  
3601 FDSMNN-210664

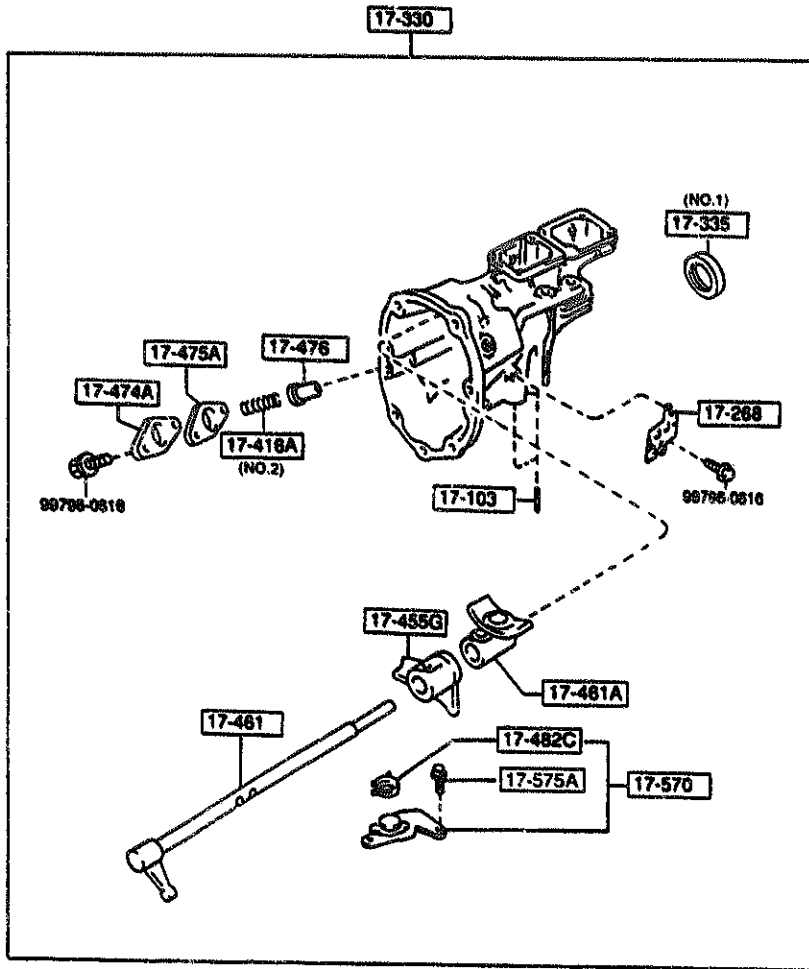


(THIS ILLUSTRATION CONSISTS OF 2 PAGES)



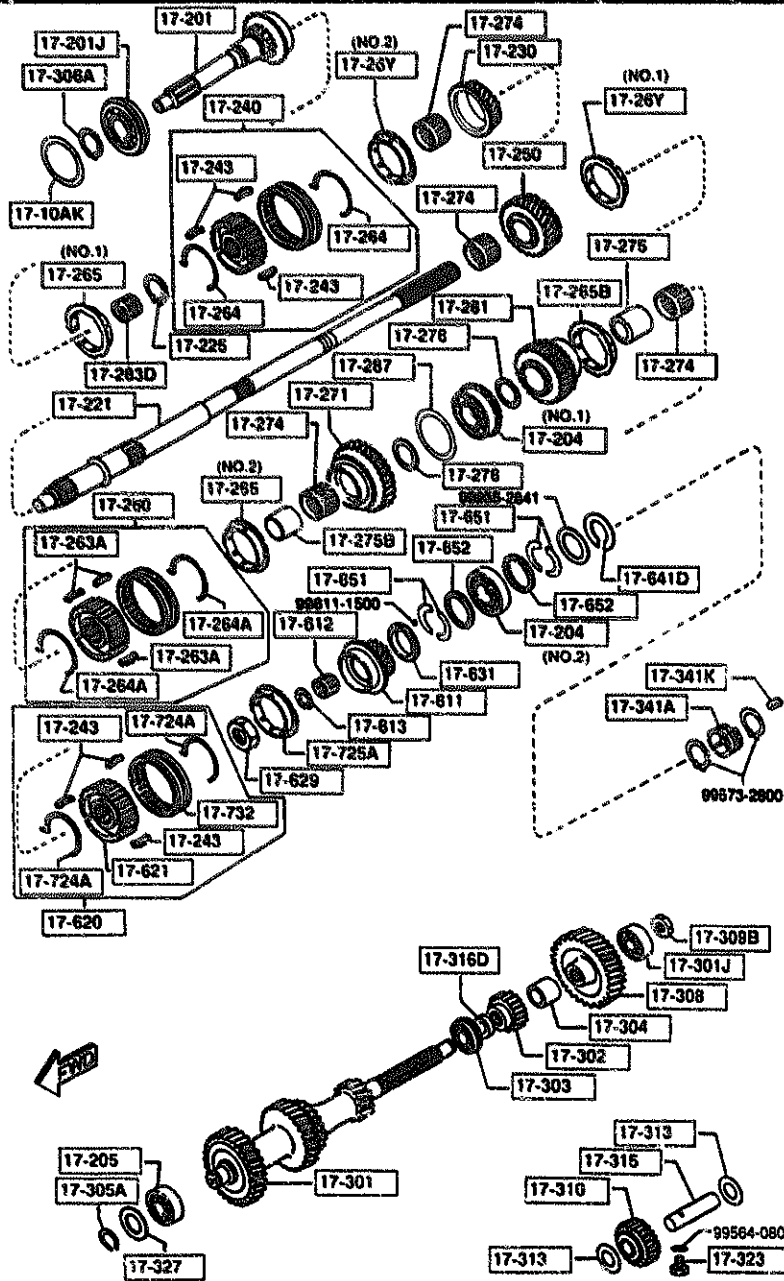
PART NO.	QTY	MODEL/RESTRICTION	MODEL/RESTRICTION	MODEL/RESTRICTION	FROM ID
CONT'D M501-17-474	1				
17-475A		GASKET, SPRING CAP			
M501-17-475	1				
17-476		SPINDLE, SELECT LOCK			
R501-17-476	1				
17-482C		SPRING, REVERSE GATE			
G5A0-17-482B	1				
17-495A		PLUG			
R502-17-495	1				
17-530		BREATHER, AIR-T/MISSI ON			
M501-17-530A	1				
17-534		COVER, BLIND-EXTENSIO N HOUSING			
R501-17-523	1				
17-540		PASS. OIL			
R505-17-540	1 (ILLUST. NO.1)				
R507-17-540	1 (ILLUST. NO.2)				
17-543		RUBBER, SEAL			
M501-17-543A	1 (ILLUST. NO.1)				
R505-17-543	1 (ILLUST. NO.2)				
17-550E		SPINDLE, SELECT			
R503-17-550	1				
17-551		SPINDLE, SELECT LOCK			
R502-17-551	1				
17-555		HOLDER, SPINDLE			
R501-17-555	1				
17-570		GUIDE, CHANGE			
R526-17-570	1				

(THIS ILLUSTRATION CONSISTS OF 2 PAGES)



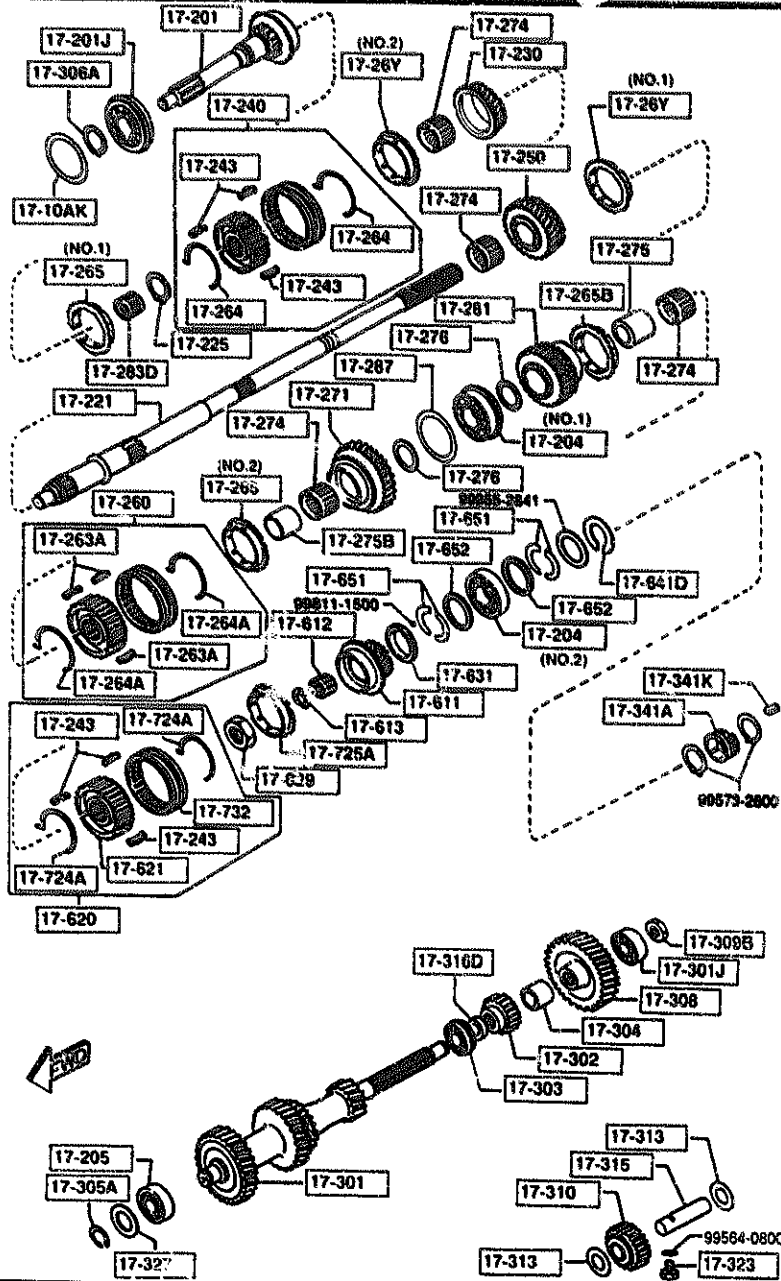
PART NO.	QTY	MODEL/RESTRICTION	MODEL/RESTRICTION	MODEL/RESTRICTION	FROM-TO
17-979A		BOLT			
MP901-17-575	2				
17-660		PASS.OIL			
0862-17-660C	1				

1710 TRANSMISSION GEARS(MANUAL)



PART NO.	QTY	MODEL/RESTRICTION	MODEL/RESTRICTION	MODEL/RESTRICTION	FROM-TO
17-10AK		SHIM, ADJUST			
99963-6930	1	T=0.3MM			
99963-6940	1	T=0.4MM			
99963-6950	1	T=0.5MM			
99963-6960	1	T=0.6MM			
99963-6970	1	T=0.7MM			
17-201		GEAR, MAIN DRIVE			
R509-17-21X	1				
17-201J		BEARING, BALL-MAIN DRIVE GEAR			
R501-17-295	1				
17-204		BEARING, BALL-MAIN SHAFT			
R501-17-204	1	O=75/I=32/W=20 (ILLUST. NO.1)			
R502-17-204	1	O=68/I=28/W=18 (ILLUST. NO.2)			
17-205		BEARING, ROLLER			
R502-17-306A	1				
17-221		SHAFT, MAIN			
R507-17-221	1				-2401
R503-17-221B	1				2401-
17-225		RING, SNAP			
0317-17-225	1				
17-230		GEAR, 3RD			
R527-17-230	1				
17-240		HUB SET, CLUTCH-3RD & 4TH			
R523-17-240	1				
17-243		KEY, SYNCHRONIZER			
F401-17-243A	6				
2401 FD3MMH-204313					

1710 TRANSMISSION GEARS(MANUAL)



PART NO.	QTY	MODEL/RESTRICTION	MODEL/RESTRICTION	MODEL/RESTRICTION	FROM-TO
17-250		GEAR, 2ND			
R535-17-250	1				
17-26Y		RIM, SYNCHRONIZER			
R503-17-26Y	1	(ILLUST. NO.1)			
R504-17-26Y	1	(ILLUST. NO.2)			
17-260		HUB SET, CLUTCH-1ST & 2ND			
R923-17-260	1				
17-263A		KEY, SYNCHRONIZER			
W501-17-263A	3				
17-264		SPRING, SYNCHRO. KEY			
Q401-17-264	2				
17-264A		SPRING, SYNCHRONIZER			
R501-17-264	2				
17-265		RING, SYNCHRONIZER			
M502-17-265C	1	(ILLUST. NO.1)			
R514-17-265B	1	(ILLUST. NO.2)			
17-265B		RING, SYNCHRONIZER			
R503-17-265B	1				
17-271		GEAR, 1ST			
R513-17-270A	1				
17-274		BEARING, NEEDLE			
Q884-17-274	4				
17-275		RACE, INNER			
3648-17-275A	1				
17-275B		RACE, INNER			
Q884-17-275B	1				
17-276		WASHER, THRUST			
Q839-17-276	1	T=2.5MM			

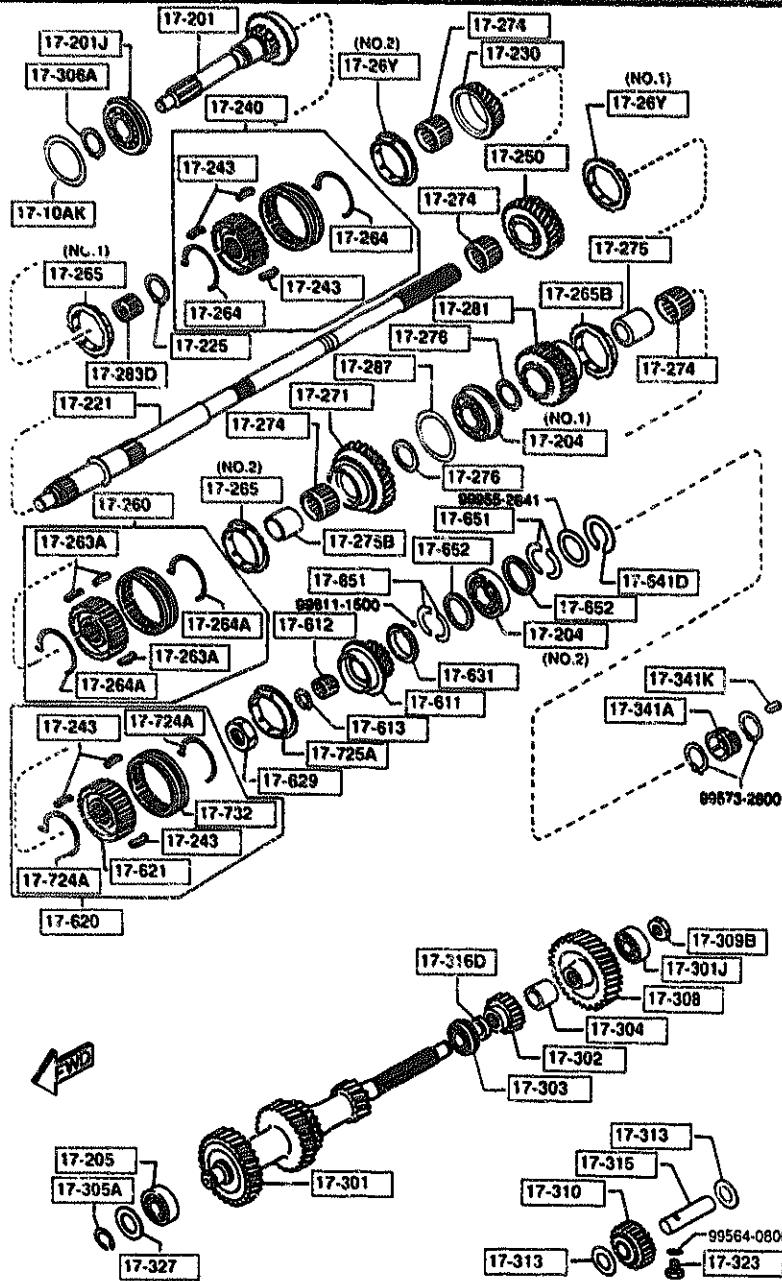
AUFA04

CAT. AUFA04-06

1994-99

1-K-7

1710 TRANSMISSION GEARS(MANUAL)



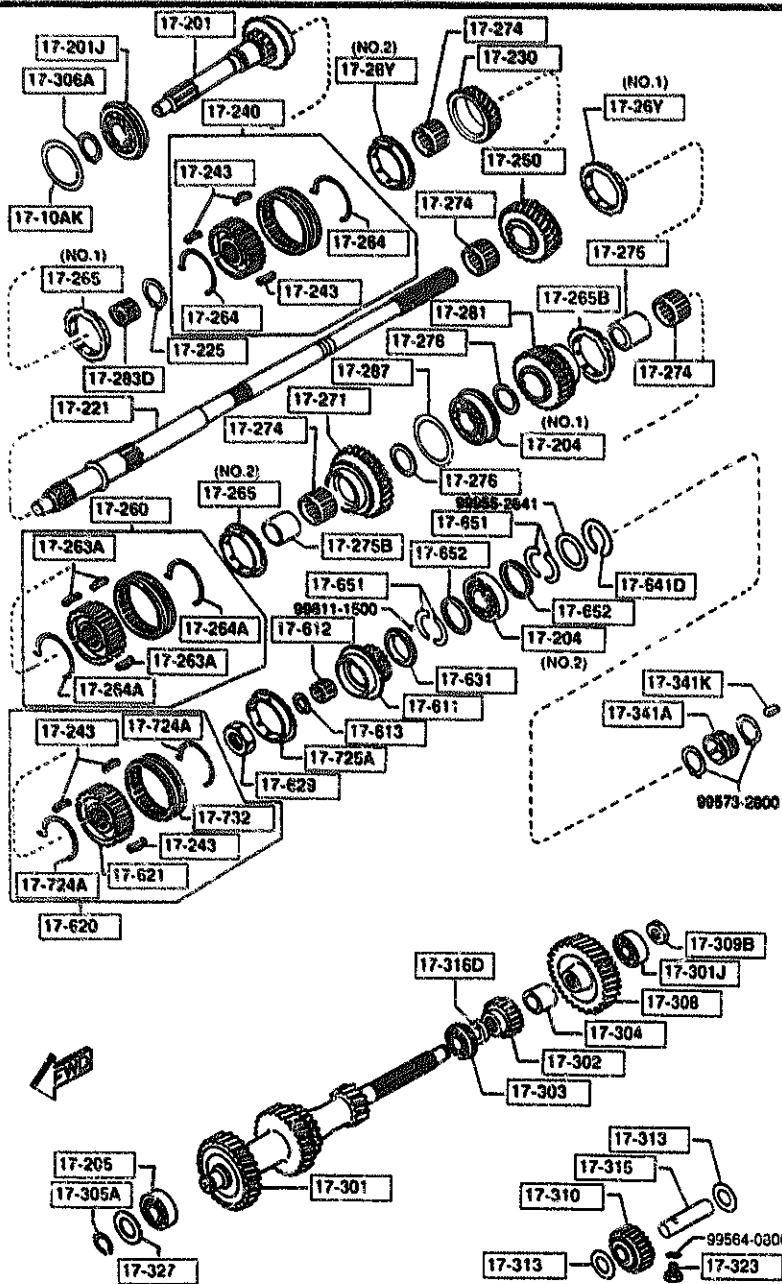
PART NO.	QTY	MODEL/RESTRICTION	MODEL/RESTRICTION	MODEL/RESTRICTION	FROM-10
CONT'D					
0839-17-277	2	T=3MM			
0839-17-278	1	T=3.5MM			
17-281		GEAR, REVERSE			
R505-17-281	1				
17-283D		BEARING, NEEDLE			
R502-17-283	1				
17-287		SHIM, ADJUST			
0839-17-287	2	T=0.1MM			
0839-17-288	1	T=0.3MM			
17-301		GEAR, COUNTER SHAFT			
R525-17-301	1				
17-301J		BEARING, BALL			
R501-17-299	1				
17-302		GEAR, COUNTER REVERSE			
R504-17-302A	1				
17-303		BEARING, BALL			
0821-17-303	1				
17-304		SPACER			
R501-17-304	1				
17-305A		RING, RETAINING-BALL BEARING			
0839-17-305B	1				
17-306A		RING, SNAP			
0727-17-306	1				
17-308		GEAR, COUNTER			
R524-17-308	1				
17-309B		NUT, LOCK-COUNTER SHAFT BR			

AUFA04

CAT. AUFA04-06

1994-09

1710 TRANSMISSION GEARS(MANUAL)



PART NO.	QTY	MODEL/RESTRICTION	MODEL/RESTRICTION	MODEL/RESTRICTION	FROM TO
CONT'D M501-17-309	1				
17-310		GEAR, REVERSE IDLE			
R505-17-310B	1				
17-313		WASHER, THRUST-REVERS E IDLE G.			
0821-17-313	2				
17-315		SHAFT, REV. IDLE GEAR			
0884-17-315	1				
17-316D		SPACER			
R502-17-316	1				
17-323		BOLT SET			
4069-17-323	1				
17-327		SHIM, ADJUST-COUNTER SHAFT GEAR T=0.1MM			
0305-17-327	2				
0305-17-328	1	T=0.3MM			
17-341A		GEAR, SPEEDO.DRIVE			
R502-17-341A	1				
17-341K		KEY			
M501-17-342	1				
17-611		GEAR, OVER TOP			
R523-17-610	1				
17-612		BEARING, NEEDLE			
R501-17-612	1				
17-613		RING, RETAINING			
R501-17-613	1				
17-620		HUB SET, CLUTCH-O.T. & REV			
R504-17-620	1				

AUFA04

CAT. AUFA04-06

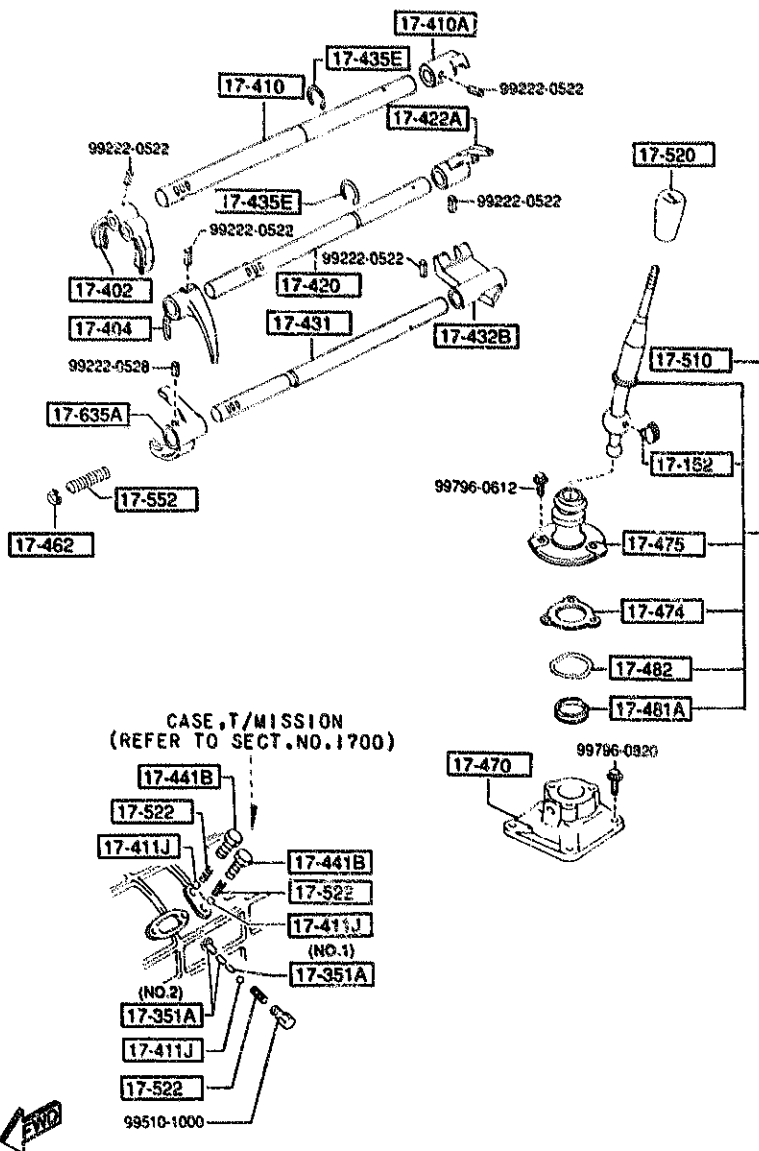
1994-09



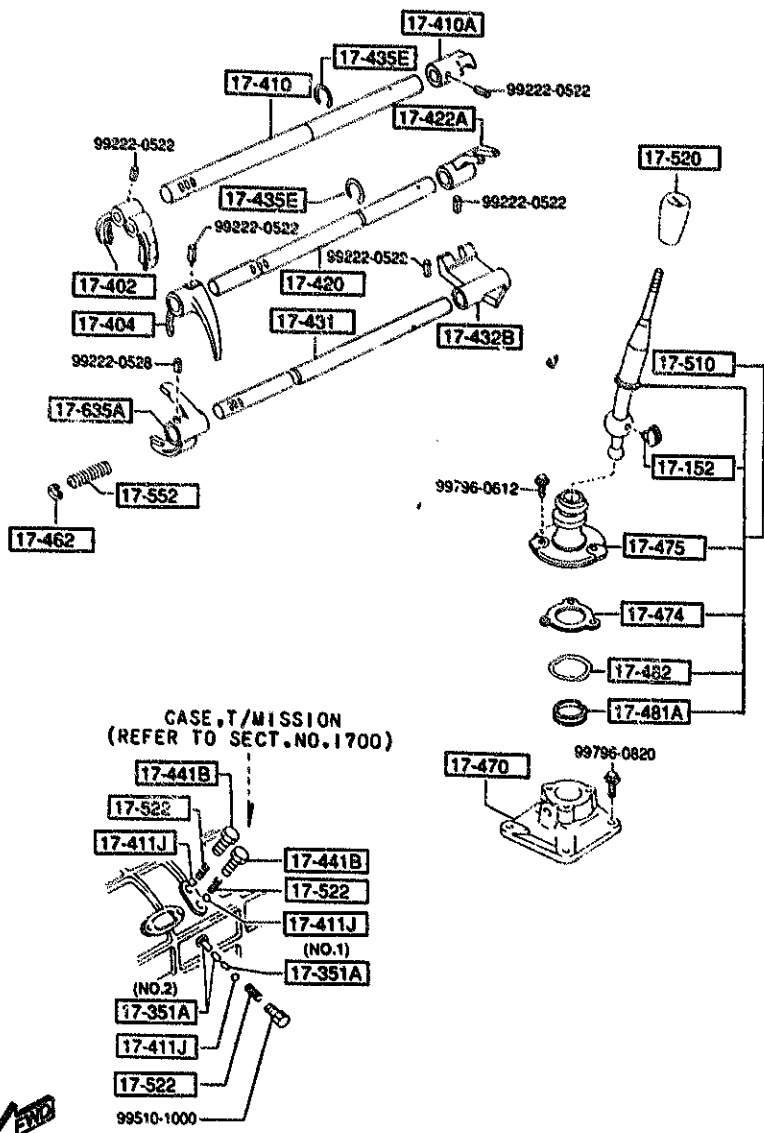




1720 CHANGE CONTROL SYSTEM (MANUAL)



PART NO.	QTY	MODEL/RESTRICTION	MODEL/RESTRICTION	MODEL/RESTRICTION	FROM 10
17-152		BUSH			
M501-17-515	2				
17-351A		PIN, INTER LOCK			
R501-17-351	1	(ILLUST. NO.1)			
0114-17-391	2	(ILLUST. NO.2)			
17-402		FORK, SHIFT(1ST&2ND)			
R522-17-402	1				
17-404		FORK, SHIFT(3RD&4TH)			
R501-17-404B	1				
17-410		ROD, SHIFT(1ST&2ND)			
R522-17-411	1				
17-410A		END, S/ROD(1ST&2ND)			
R502-17-412A	1				
17-411J		BALL, STEEL			
99511-2500	3				
17-420		ROD, SHIFT(3RD&4TH)			
R522-17-421	1				
17-422A		END, S/ROD(3RD&4TH)			
R506-17-422	1				
17-431		ROD, SHIFT-OVER TOP & REVERSE			
R512-17-431A	1				
17-432B		END, SHIFT ROD(O/TOP & REV.)			
R513-17-432	1				
17-435E		RING, RETAINING			
R502-17-435	3				
17-441B		PLUG, CAP			
0221-17-441A	2				

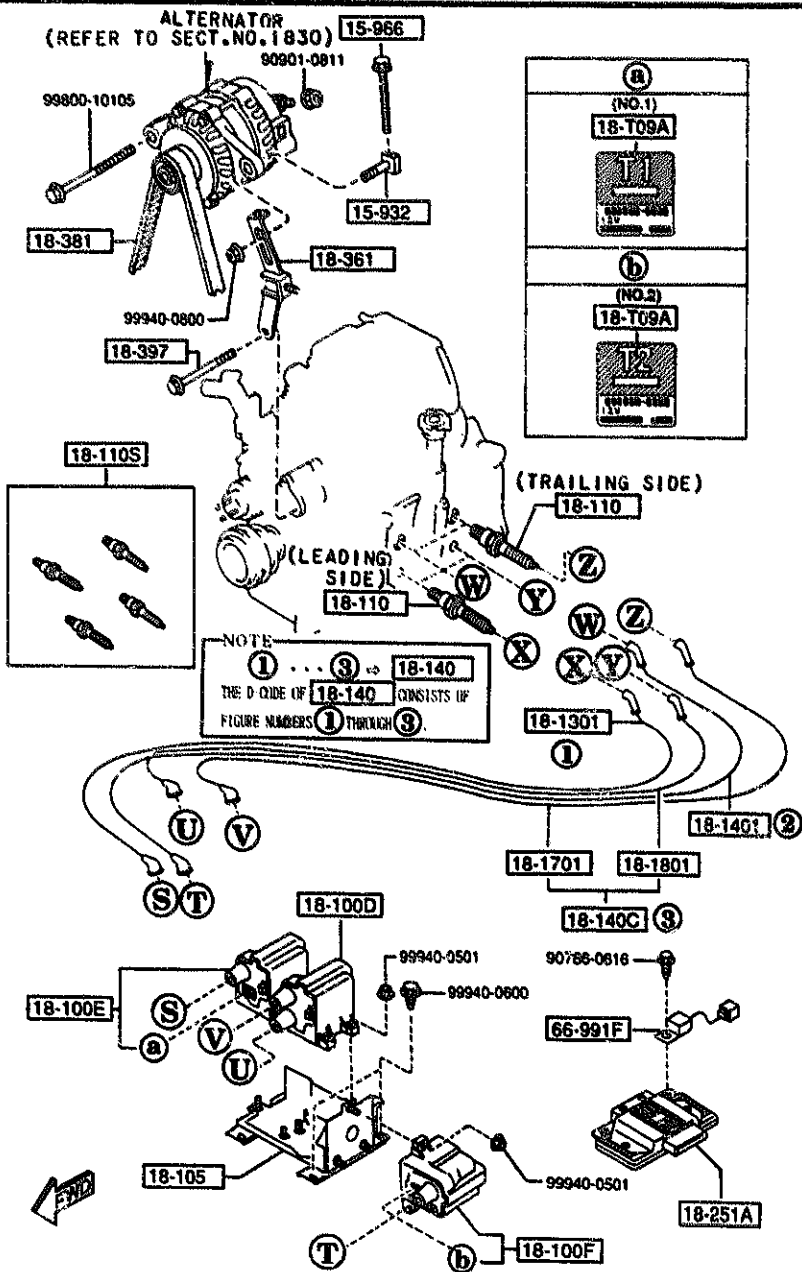


PART NO.	QTY	MODEL/RESTRICTION	MODEL/RESTRICTION	MODEL/RESTRICTION	FROM-TO
17-462		SHEET, SPRING			
0398-17-462A	1				
17-470		CASE, CHANGE CONTROL			-2415
R504-17-470	1				
A (R514-17-470A)					
R504-17-470A	1				2415-
17-474		GASKET, COVER PLATE			
0303-17-474	1				
17-475		BOOT, DUST-CHANGE LEVER			
M513-17-480A	1				
17-481A		BUSH, CHANGE			
R503-17-481	1				
17-482		WASHER, WAVE-CHANGE CONT. CASE			
M505-17-482	1				
17-510		LEVER, CHANGE			
R507-17-510A	1				
17-520		KNOB, CHANGE LEVER			-3310
R503-17-520A	1				
A (R503-17-520B)					
00	INT-	FE2 FE3 FE4 BLACK			
R503-17-520B	1				3310-
00	INT-	FE2 FE3 FE4 BLACK			
17-422		SPRING			
M0103-17-411	3	5TH & REVERSE			
17-552		SPRING			
R501-17-552	1				
17-635A		FORK, SHIFT-5TH & REVERSE			
R505-17-406	1				

2415 FD3MNM-205010  
3310 FD3MNM-210634

1800 ENGINE ELECTRICAL SYSTEM

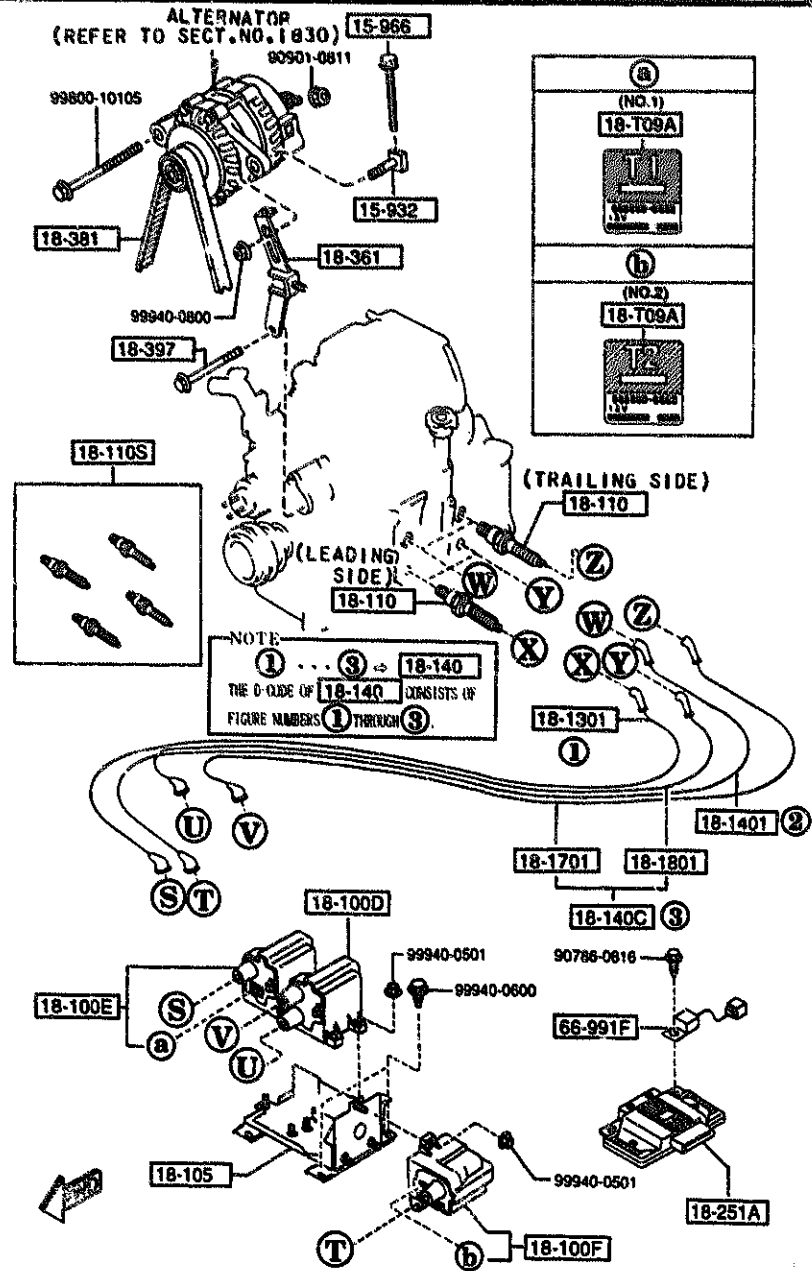
1800 -1 ENGINE ELECTRICAL SYSTEM



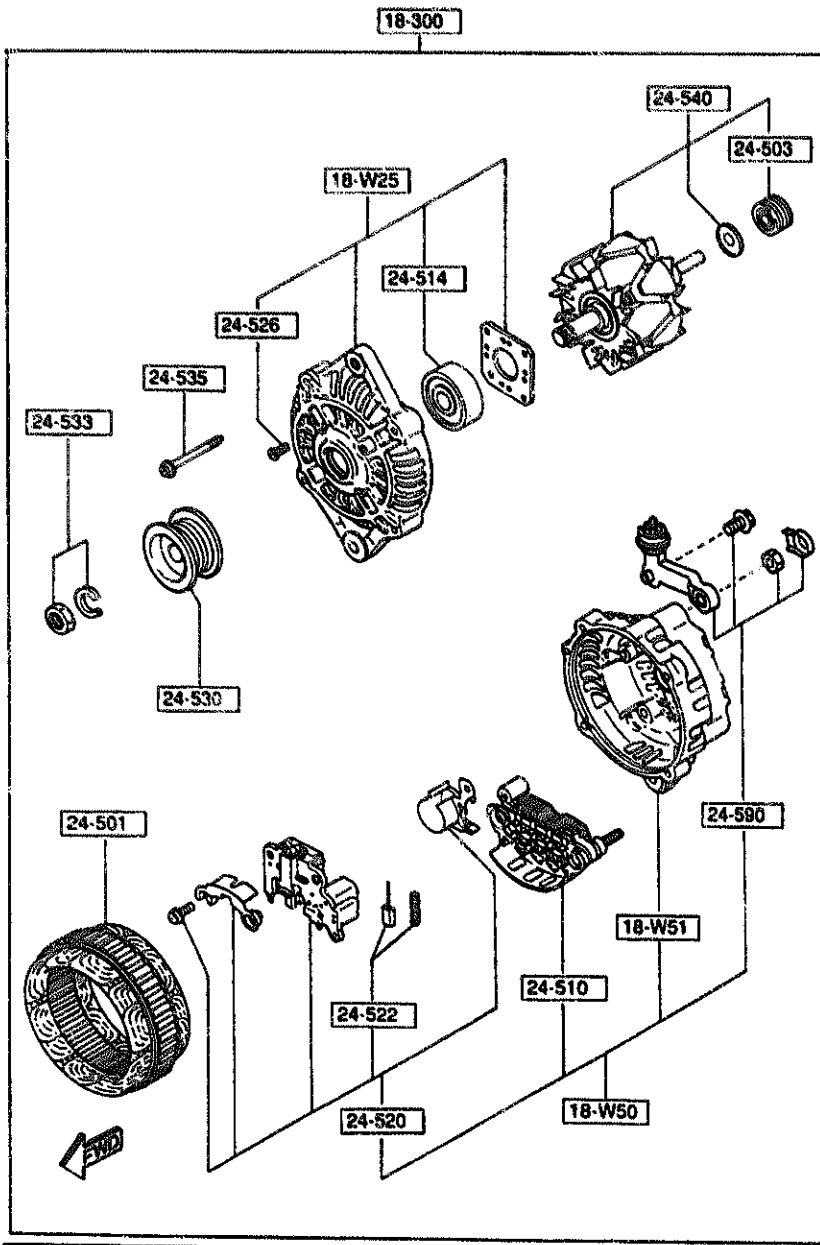
PART NO.	QTY	MODEL/RESTRICTION	MODEL/RESTRICTION	MODEL/RESTRICTION	FROM-TO
15-932		SHAFT, PULLEY			
NF01-15-932	1				
15-966		BOLT, ADJUST			
N390-15-966	1				
18-T09A		LABEL, IG. COIL			
NSA1-18-T09	1 (ILLUST. NO.1)				
NSA2-18-T09	1 (ILLUST. NO.2)				
18-100D		COIL, IGNITION-LEADING			
N3A3-18-100	1	LEADING			
18-100E		COIL, IGNITION-TRAILING			
NSA1-18-100	1	TRAILING			
18-100F		COIL, IGNITION-TRAILING			
NSA2-18-100	1				
18-105		BRACKET, DIST. MODULE			
NSA2-18-105A	1				
18-110		PLUG, SPARK			
NSA2-18-110	2	BUR7EQ NGK (LEADING SIDE) (STD.)			
NSA3-18-110	2	BUR8EQ NGK (TRAILING SIDE) (OPTION HOT TYPE-DX)			
NSA4-18-110	2	BUR6EQ NGK (LEADING SIDE) (OPTION HOT TYPE-DX)			
N329-18-110	2	BUR8EQ NGK (TRAILING SIDE) (OPTION HOT TYPE-STD.)			
N329-18-110	2	BUR6EQ NGK (LEADING SIDE) (OPTION HOT TYPE-STD.)			
N343-18-110	2	BUR7EQ NGK (LEADING SIDE) (OPTION-STD.)			



1800 ENGINE ELECTRICAL SYSTEM

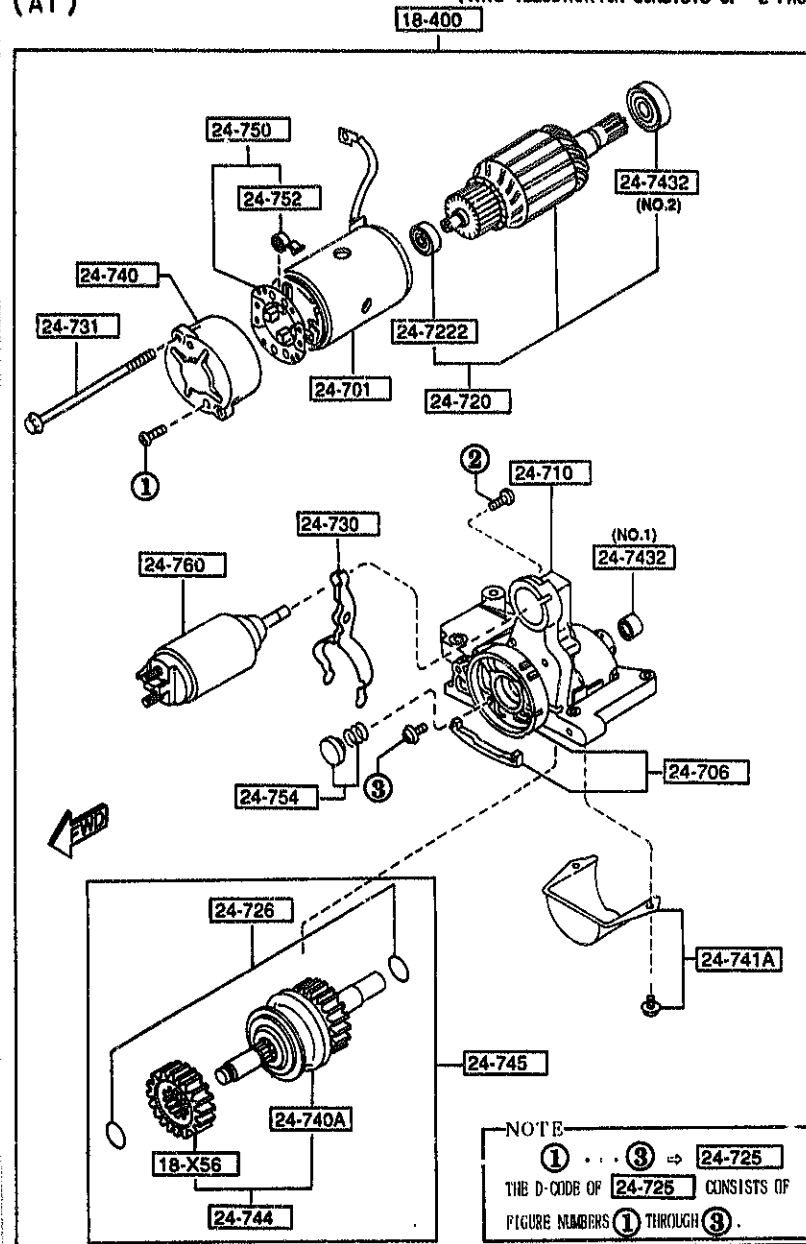
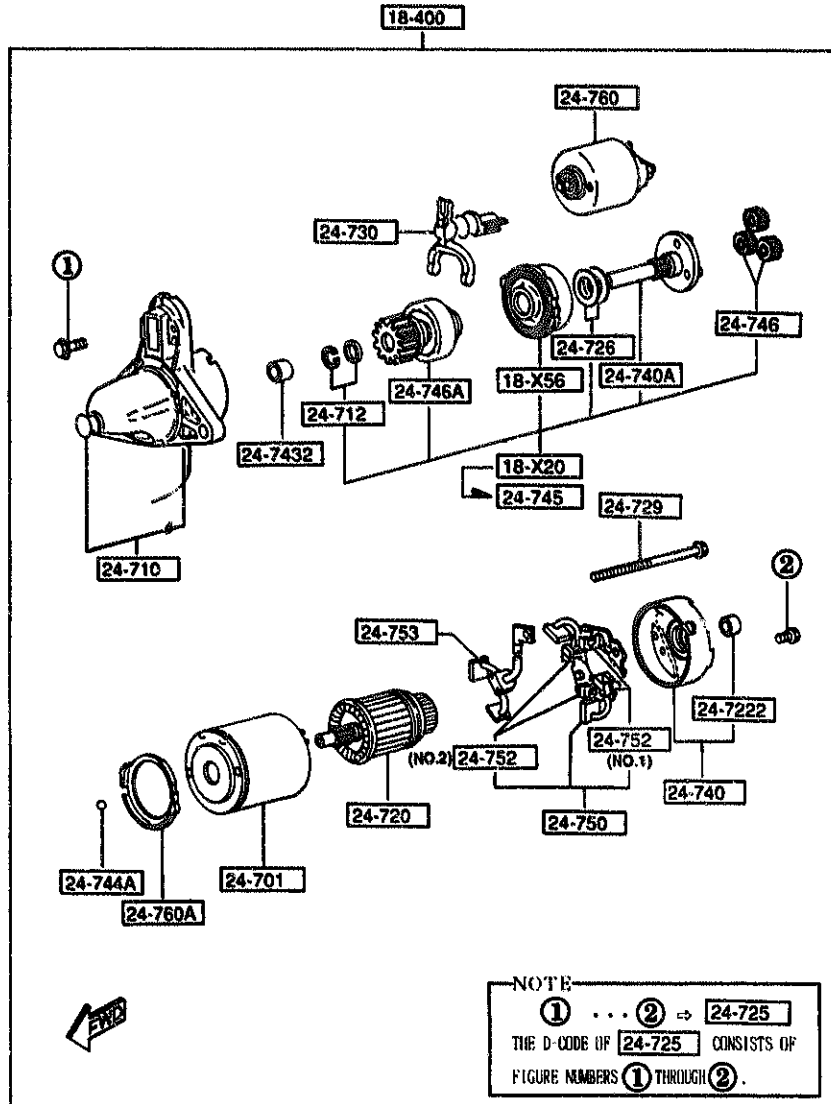


PART NO.	QTY	MODEL/RESTRICTION	MODEL/RESTRICTION	MODEL/RESTRICTION	FROM-TO
CONT'D NSA1-18-381	1	SPK-1385 (MT)			
NSA2-18-381	1	SPK-1310 (AT)			
18-397		BOLT, FLANGE			
NSA1-18-397	1				
66-991F		CONDENSER			
NSA1-66-991	1				



PART NO.	QTY	MODEL/RESTRICTION	MODEL/RESTRICTION	MODEL/RESTRICTION	FROM TO
18-W25 NSA1-18-W25	1	COVER, FRONT-ALTERNATOR			
18-W90 NSA1-18-W90	1	COVER, REAR-ALTERNATOR			
18-W51 NSA1-18-W51	1	COVER, REAR-ALTERNATOR			
18-300 NSA1-18-300A	1	ALTERNATOR			
24-501 NSA1-18-W45	1	STATOR			
24-503 NS36-18-W36	1	BEARING, BALL-ALT. REAR			
24-510 NSA1-18-W60	1	RECTIFIER			
24-514 PN16-18-W27	1	BEARING, BALL-ALT. FRONT			
24-520 JE48-18-W70	1	REGULATOR, VOLTAGE			
24-522 B3C7-18-W77	2	BRUSH			
24-526 RF71-18-W26	1	SCREW SET			
24-530 NS90-18-W11	1	PULLEY			
24-533 B3C7-18-W05	1	NUT SET			
24-535 RF71-18-W20	1	SCREW SET			



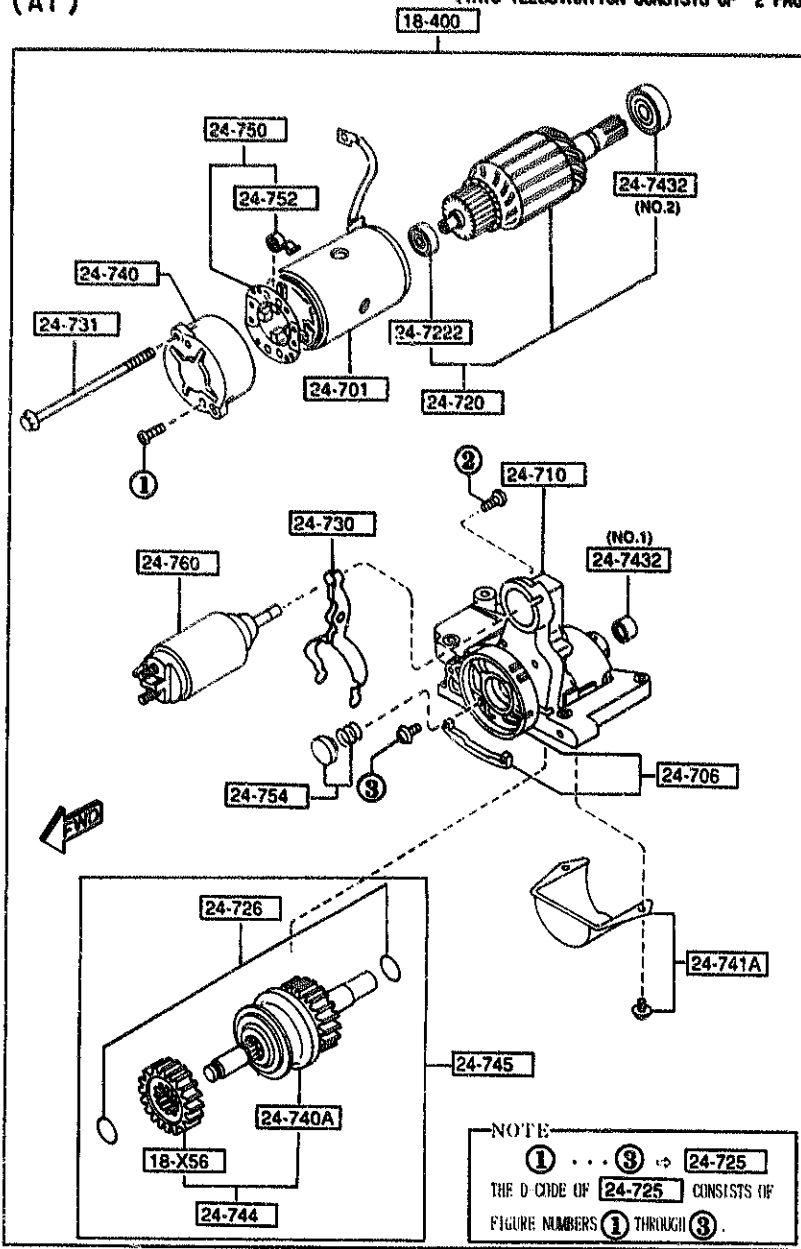






(AT)

(THIS ILLUSTRATION CONSISTS OF 2 PAGES)



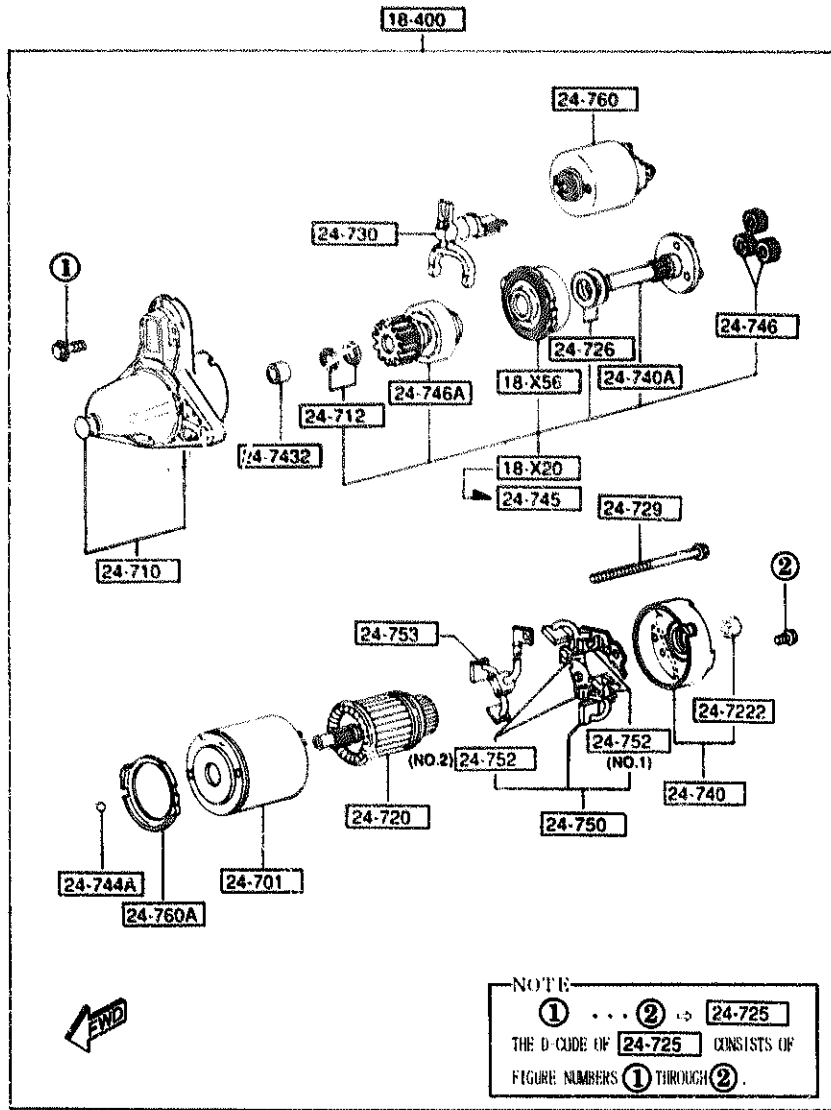
PART NO.	QTY	MODEL/RESTRICTION	MODEL/RESTRICTION	MODEL/RESTRICTION	FRGM-10
CONT'D					
N326-18-X92	1	(MT)			
24-729		BOLT			
N326-18-X91	2	(MT)			
24-730		LEVER			
NF01-18-X05	1	(AT)			
N326-18-X05	1	(MT)			
24-731		BOLT SET			
NF01-18-X90	1	(AT)			
24-740		BRACKET, REAR			
N318-18-X80A	1	(MT)			
8599-24-720	1	(AT)			
24-740A		SHAFT			
NF01-18-X40	1	(AT)			
N326-18-X40	1	(MT)			
24-741A		COVER SET			
NF01-18-X50	1	(AT)			
24-7432		SLEEVE, BEARING-FRONT			
E356-18-X01	1	(MT)			
F210-18-X01	1	(ILLUST. NO. 1) (AT)			
8599-24-743	1	(ILLUST. NO. 2) (AT)			
24-744		GEAR SET			
NF01-18-X35	1	(AT)			
24-744A		BALL, STEEL			
N326-18-X93	1	(MT)			
24-745		SHAFT, CLUTCH			
NF01-18-X20	1	(AT)			
N327-18-X20	1	(MT)			

2101-

2101 FD3MM-200251

(MT)

(THIS ILLUSTRATION CONSISTS OF 2 PAGES)



PART NO.	QTY	MODEL/RESTRICTION	MODEL/RESTRICTION	MODEL/RESTRICTION	FROM TO
24-746		GEAR			
N326-18-X57	3 (MT)				
24-746A		PINION			
N318-18-X25	1 (MT)				
24-750		HOLDER, BRUSH			
NF01-18-X70	1 (AT)				
JF01-18-X70	1 (MT)				-2601
F214-18-X70	1 (MT)				2601-
24-752		SPRING, BRUSH			
N318-18-X71	2 (ILLUST. NO.1) (MT)				
N326-18-X71	2 (ILLUST. NO.2) (MT)				
8599-24-752	4 (AT)				
24-753		BRUSH, YOKE			
F214-18-X66	1 (MT)				
24-754		SPRING SET			
G601-18-X06	1 (AT)				
24-760		SWITCH			
NF01-18-X10	1 (AT)				
N3A1-18-X10	1 (MT)				
24-760A		GASKET			
N326-18-X67	1 (MT)				
2601 FD3MM-207062					

AUFA04

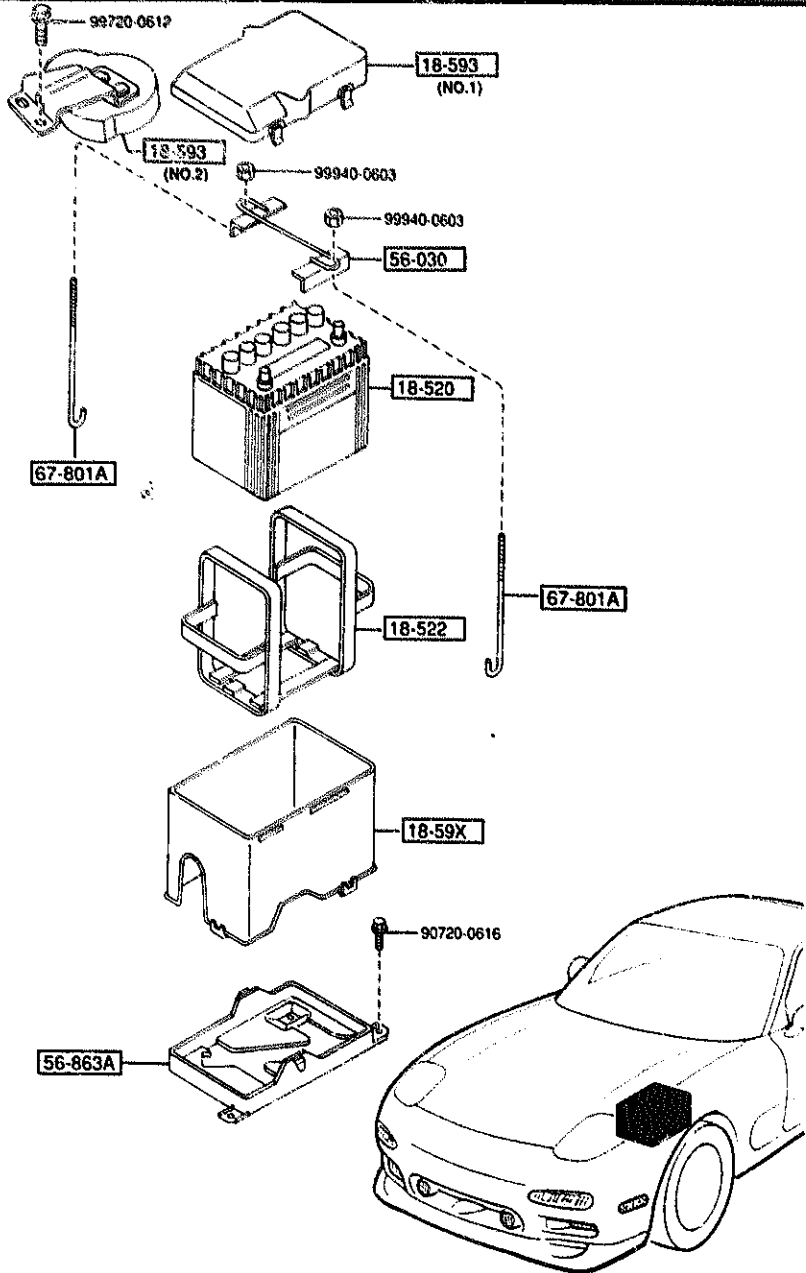
(CONT'D)

CAT. AUFA04-06

1994-09

1850 -1 M BATTERY

1850 BATTERY



PART NO.	QTY	MODEL/RESTRICTION	MODEL/RESTRICTION	MODEL/RESTRICTION	FROM TO
18-520		BATTERY			
AM15-18-520A	1	75D26L GS			
E506-18-520B	1	55D23L GS			
N251-18-520B	1	65D23L GS			
18-522		BAND, BATTERY			
FE50-18-522	1				
18-59X		BOX, BATTERY			
N3A1-18-591D A (N3A1-18-591E)	1				-2116
N3A1-18-591E	1				2116-
18-593		COVER, BOX-BATTERY			
N3A1-18-593A A (N3A1-18-593B)	1	MIYAGAWA KASEI (ILLUST. NO.1)			-2116
N3A1-18-593B	1	MIYAGAWA KASEI (ILLUST. NO.1)			2116-
N3A2-18-593A	1	(ILLUST. NO.2) (W/O AIR CON.)			2901-
56-030		CLAMP, BATTERY			
H384-56-03XA	1				
56-863A		TRAY, BATTERY			
FD01-56-981A	1				
67-801A		BOLT, CLAMP			
0243-56-231	2				

2116 FD3MM-200717  
2901 FD3MM-210499

AUFA04

CAT. AUFA04-06

1994-09







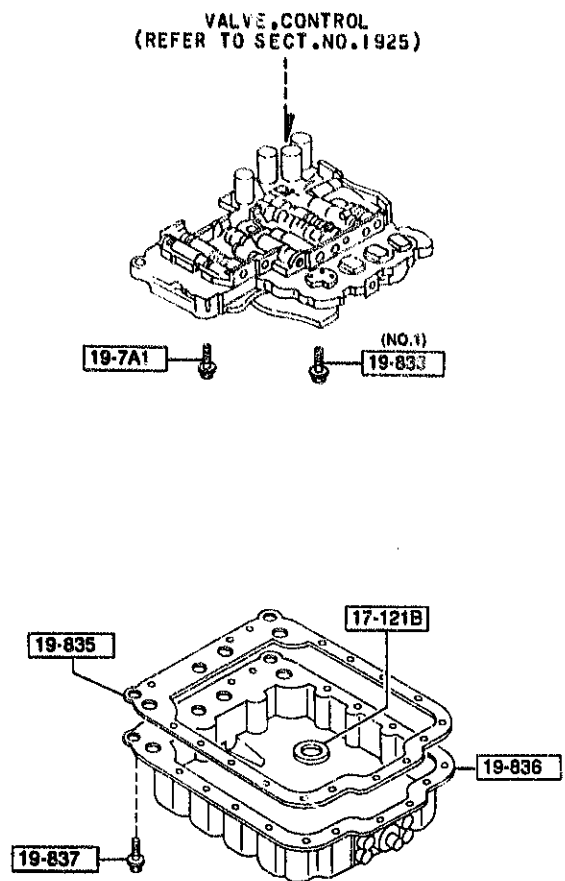
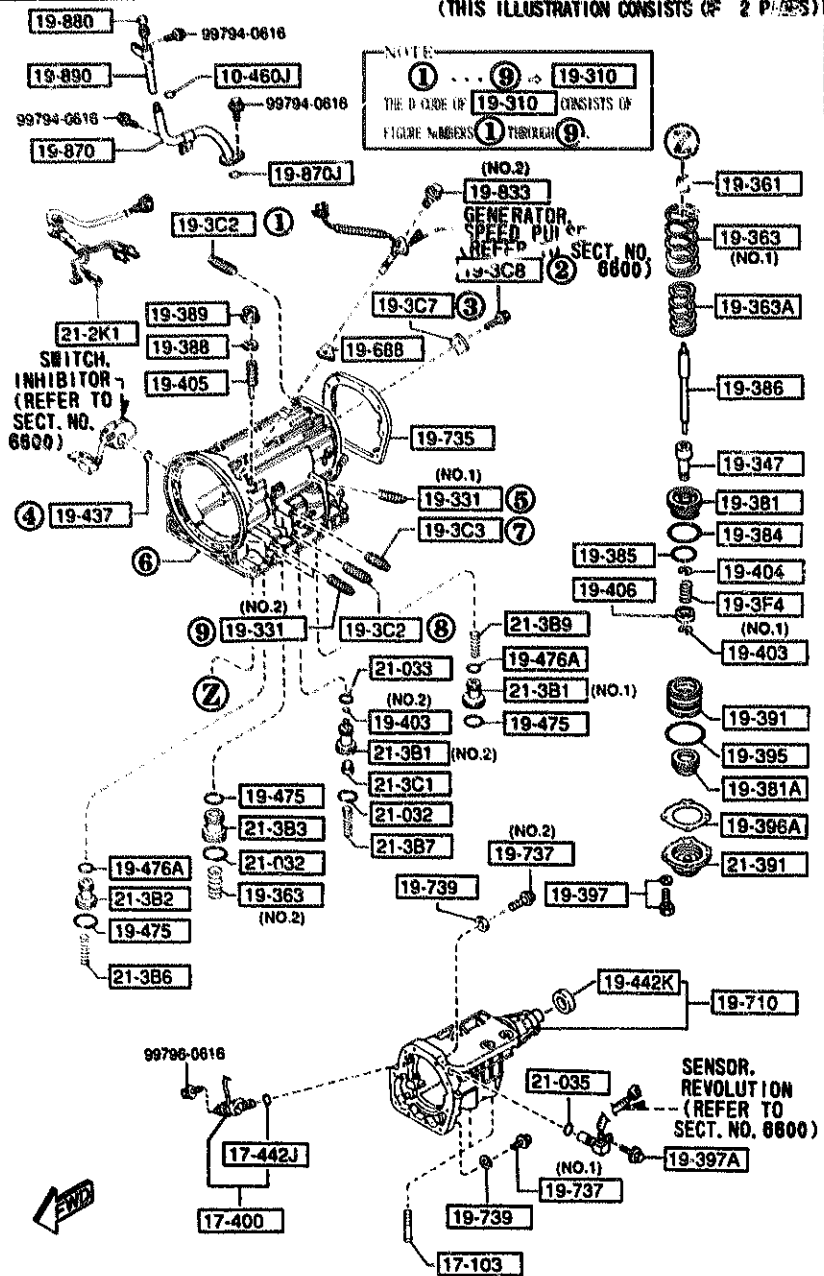






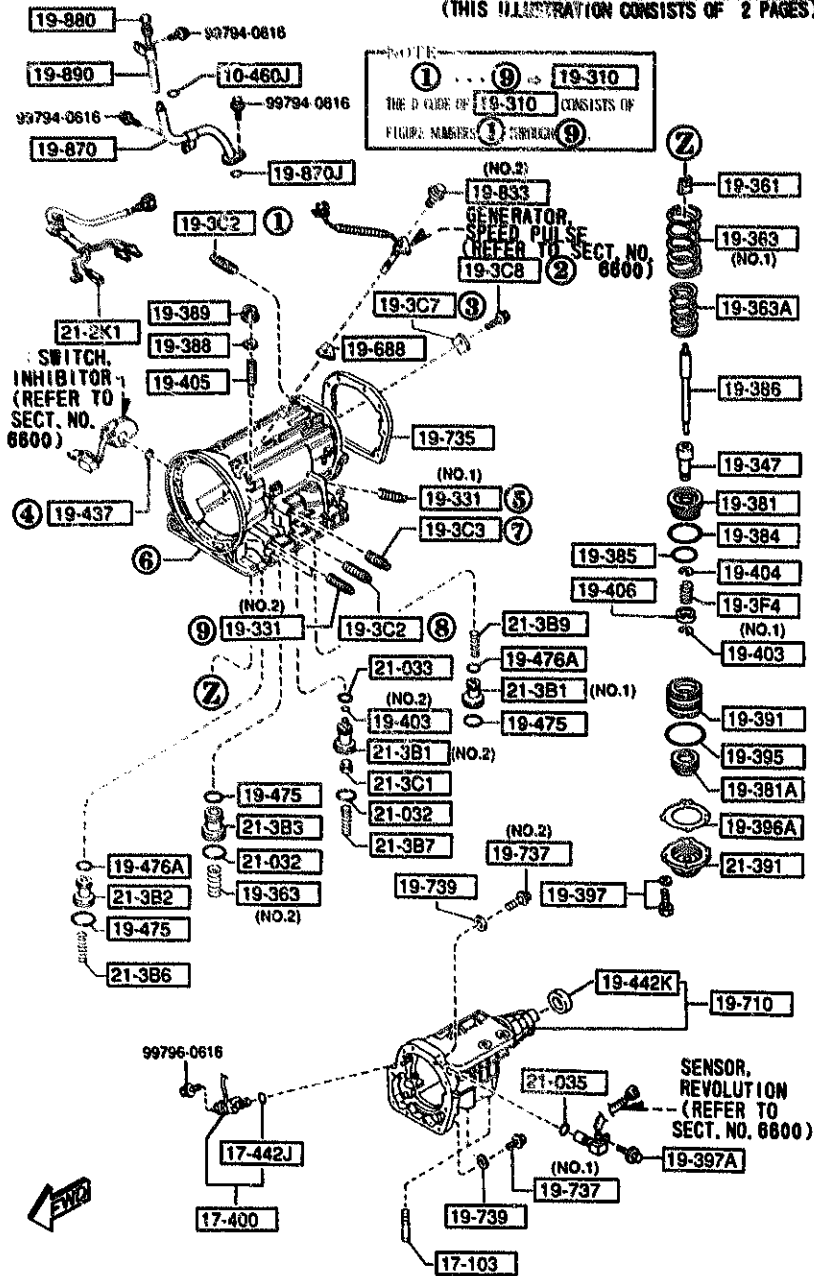
(THIS ILLUSTRATION CONSISTS OF 2 PAGES)

(THIS ILLUSTRATION CONSISTS OF 2 PAGES)



1920 TRANSMISSION CASE & MAIN CONTROL SYSTEM (AUTOMATIC) (1/2)

(THIS ILLUSTRATION CONSISTS OF 2 PAGES)

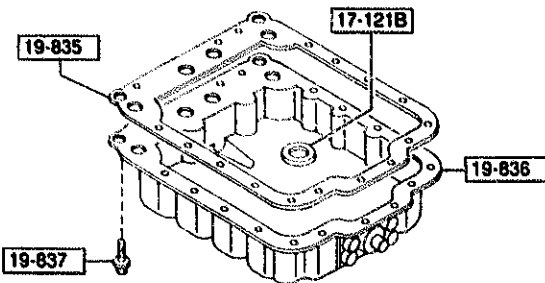
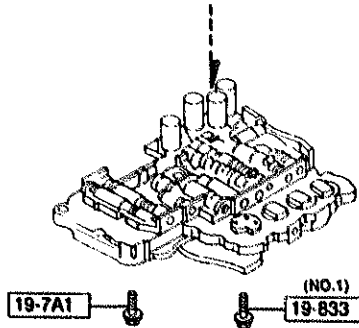


1920 -1 TRANSMISSION CASE & MAIN CONTROL SYSTEM (AUTOMATIC)

PART NO.	QTY	MODEL/RESTRICTION	MODEL/RESTRICTION	MODEL/RESTRICTION	FROM-10
19-460J		RING, 'O'			
99541-01201	1				
17-103		BOLT			
R926-17-103	2				
17-121B		MAGNET			
F401-17-121	1				
17-400		GEAR SET, DRIVEN-SPEED			
BV65-17-400	1				
17-442J		RING, 'O'			
1011-17-443	1				
19-3C2		PLUG			
BV11-19-3C2	2				
19-3C3		PLUG			
BV11-19-3C3	1				
19-3C7		PLATE, BAFFLE			
BV11-19-3C7	1				
19-3C8		BOLT, BAFFLE PLATE			
BV11-19-3C8	1				
19-3F4		SPRING, PISTON RETURN			
BV11-19-3F4	1				
19-310		CASE, T/MISSION			
BV56-19-310	1				
19-331		PLUG, SQUARE HEAD			
BV11-19-331	1	(ILLUST. NO.1)			
0338-19-331A	3	(ILLUST. NO.2)			
19-347		RETAINER, SERVO SPRING			
BV11-19-347	1				

1920 TRANSMISSION CASE & MAIN CONTROL SYSTEM (AUTOMATIC) (2/2)  
 (THIS ILLUSTRATION CONSISTS OF 2 PAGES)

VALVE, CONTROL  
 (REFER TO SECT. NO. 1925)



PART NO.	QTY	MODEL/RESTRICTION	MODEL/RESTRICTION	MODEL/RESTRICTION	FROM TO
19-361		STRUT, BAND			
BV11-19-361	1				
19-363		SPRING, PISTON RETURN			
BV11-19-363	1	(ILLUST. NO.1)			
BV65-19-363	1	(ILLUST. NO.2)			
19-363A		SPRING, PISTON RETURN			
BV11-19-3F3	1				
19-381		PISTON, BAND SERVO			
BV11-19-381	1				
19-381A		PISTON, BAND SERVO			
BV65-21-321	1				
19-384		SEAL, PISTON			
BV11-19-384	1				
19-385		SEAL, PISTON			
BV11-19-385	1				
19-386		STEM, PISTON			
BV11-19-386	1				
19-388		WASHER, PLAIN			
BV11-19-388	1				
19-389		NUT			
BV11-19-389	1				
19-391		RETAINER, SERVO			
BV11-19-391	1				
19-395		RING, 'O'			
0338-19-395	1				
19-396A		GASKET			
BV11-19-3J4	1				

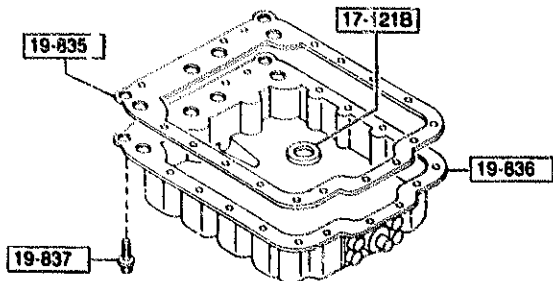
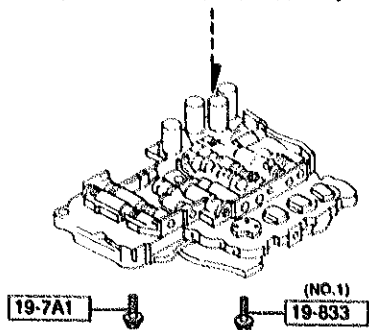




1920 TRANSMISSION CASE & MAIN CONTROL SYSTEM (AUTOMATIC) (2/2)

(THIS ILLUSTRATION CONSISTS OF 2 PAGES)

VALVE, CONTROL  
(REFER TO SECT. NO. 1925)



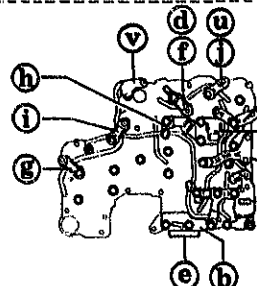
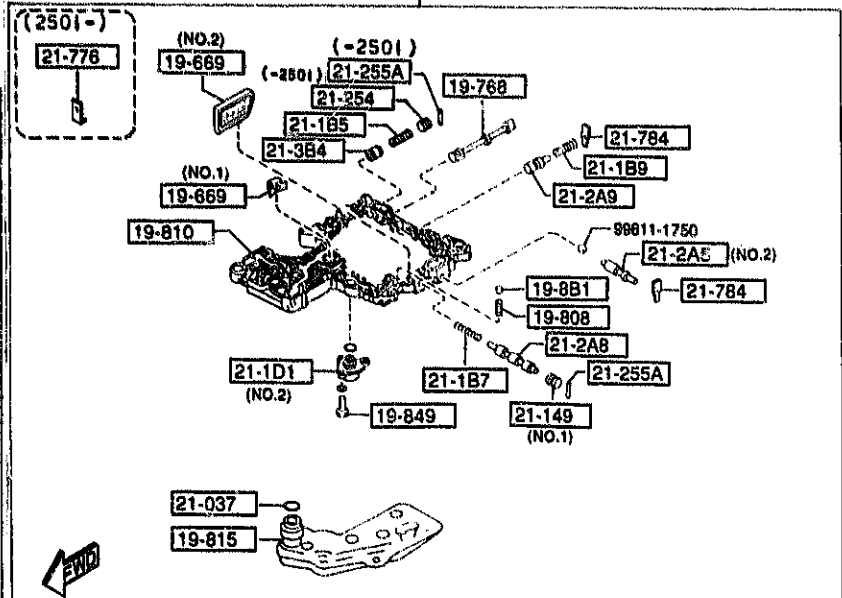
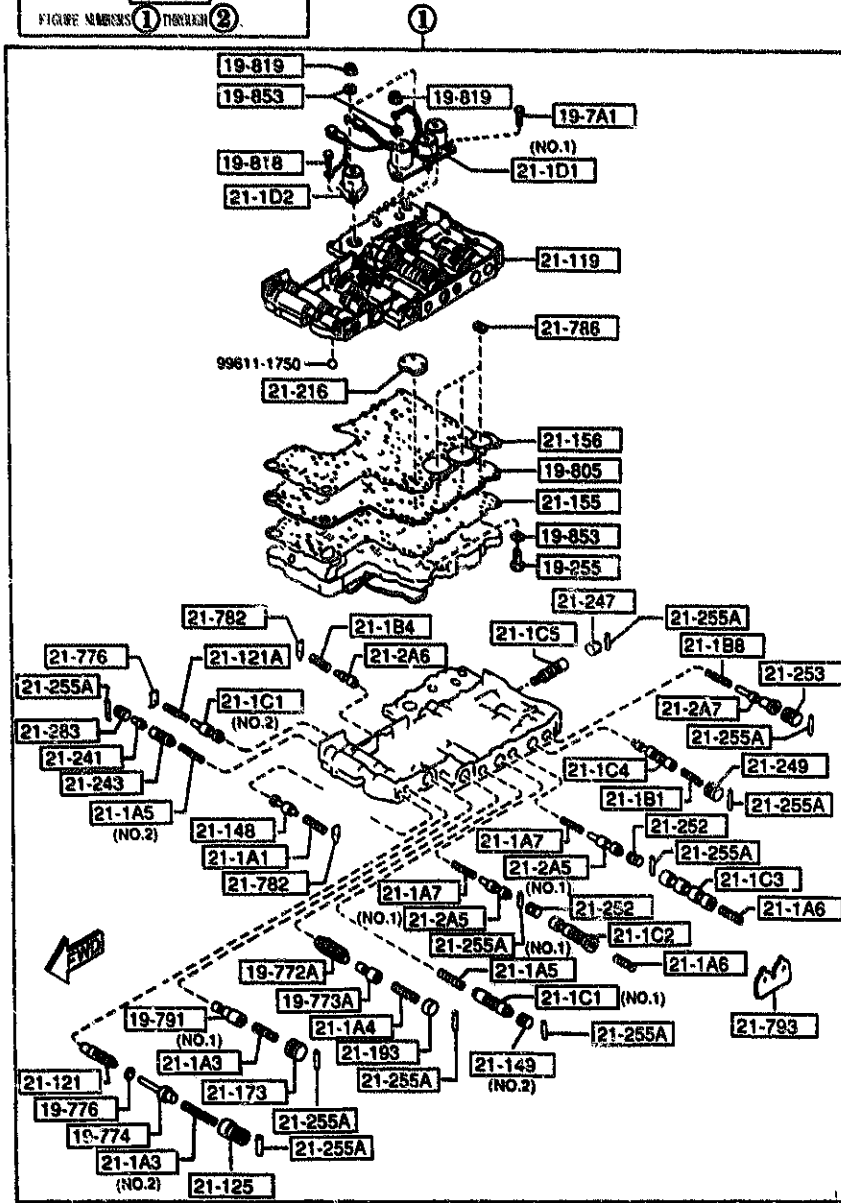
1920 --4 TRANSMISSION CASE & MAIN CONTROL SYSTEM (AUTOMATIC)

PART NO.	QTY	MODEL/RESTRICTION	MODEL/RESTRICTION	MODEL/RESTRICTION	FROM TO
19-739		GASKET, EXTENSION			
BV35-19-735	1				-2C07
BV60-19-735	1				2C07-
19-737		BOLT			
BV12-19-737	3	(ILLUST. NO.1)			
BV40-19-737	5	(ILLUST. NO.2)			
19-739		WASHER, PLAIN			
0338-19-739	10				
19-833		BOLT, CONTROL VALVE			
BV11-19-833	13	(ILLUST. NO.1)			
BV56-19-833	2	(ILLUST. NO.2)			
19-835		GASKET, OIL PAN			
BV56-19-835	1				-2C07
BV60-19-835	1				2C07-
19-836		PAN, OIL			
BV65-19-836	1				
19-837		BOLT, OIL PAN			
0338-19-837	18				
19-870		TUBE, OIL LEVEL			
BV65-19-870	1				
19-870J		RING, 'O'			
99541-01601	1				
19-880		GAUGE, OIL LEVEL			
BV45-19-880	1				
19-890		TUBE, OIL FILTER-UPPER			
BV65-19-890	1				
21-032		RING, 'O'-UP. ACCUM 2ND PIS			
BV11-21-032	2				
2C07 FD3MM-210516					



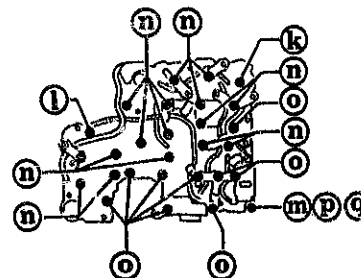
NOTE

① ... ②  
 THE DRAWING OF 19-750  
 CONSISTS OF  
 FIGURE NUMBERS ① THROUGH ②.



a	21-0J1	
b	21-0J2	
c	21-0J3	
d	21-0J4	
e	21-0J5	
f	21-0J7 (NO.1)	
u	21-0J7 (NO.2)	

g	21-096
h	21-098
i	21-099
j	21-092
s	21-093
t	21-094
v	21-095



k	19-818	L=27MM
l	19-831	L=55MM
m	19-832	L=45MM
n	19-833	L=35MM
o	19-837A	L=50MM
p	19-819	
q	19-853	

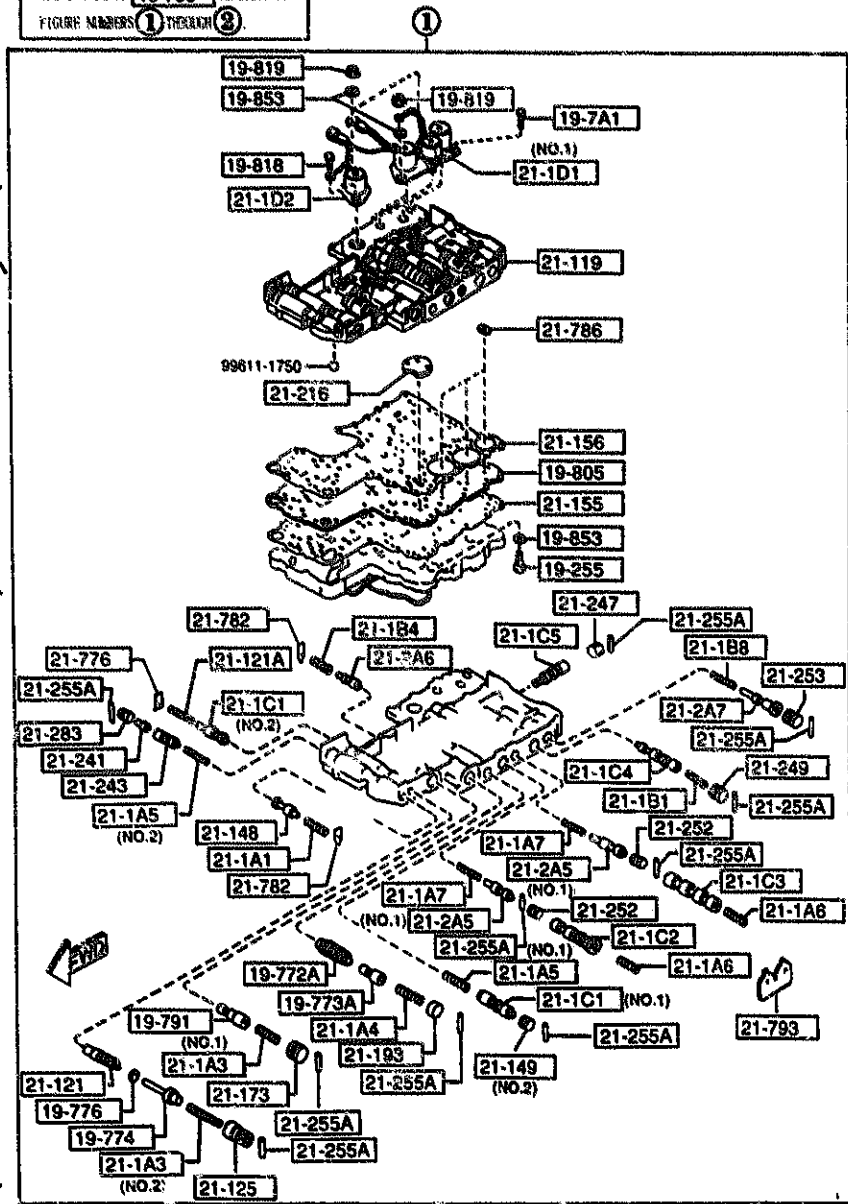


1925 CONTROL VALVE (AUTOMATIC)

(1/2)

NOTE  
 ① ... ② IN 19-750  
 THE O CODE OF 19-730 CONSISTS OF  
 FIGURE NUMBERS ① THROUGH ②

(THIS ILLUSTRATION CONSISTS OF 2 PAGES)



PART NO.	QTY	MODEL/RESTRICTION	MODEL/RESTRICTION	MODEL/RESTRICTION	FROM 10
19-255		BOLT			
BV50-19-255	1				
19-669		FILTER, GOVERNOR			
BV11-19-669	1 (ILLUST. NO.1)				
BV50-19-669	1 (ILLUST. NO.2)				
19-7A1		BOLT			
BV11-19-7A1	2				
19-750		VALVE, CONTROL			
BV65-19-750 AN(BV65-19-750A)	1				-2401
BV65-19-750A	1				2401-
19-768		VALVE, MANUAL			
BV11-19-768	1				
19-772A		SLEEVE, ACCUMULATOR			
BV11-19-772	1				
19-773A		VALVE, ACCUMULATOR			
BV11-19-773	1				
19-774		PLUG, REGULATOR			
BV45-19-774	1				
19-776		SHEET, SPRING			
BV11-19-776	1				
19-791		VALVE, MODIFIER			
BV11-19-791	1				
19-881		VALVE, ORIFICE CHECK			
BV30-19-881	1				
19-805		PLATE, SEPARATOR			
BV56-19-805	1				
19-808		SPRING			
0338-19-808	1				
2401 FD3MM-204313					

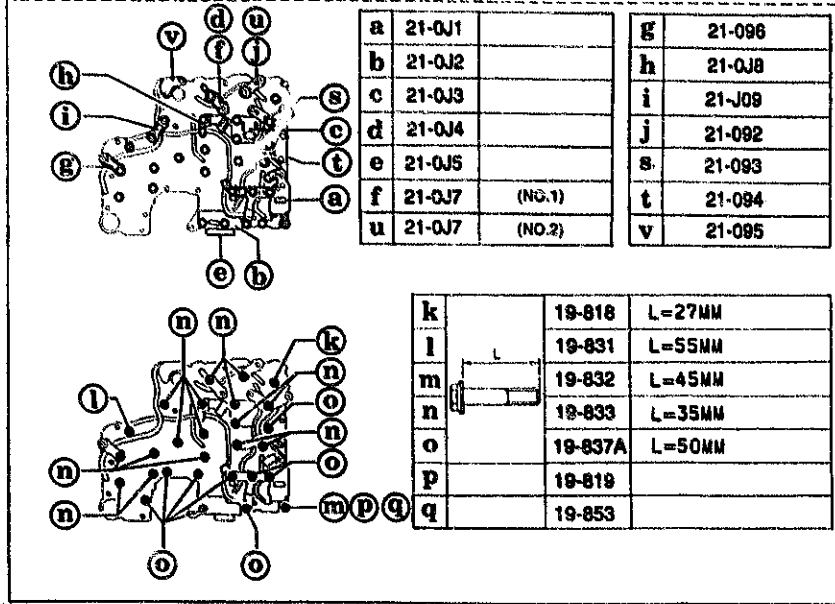
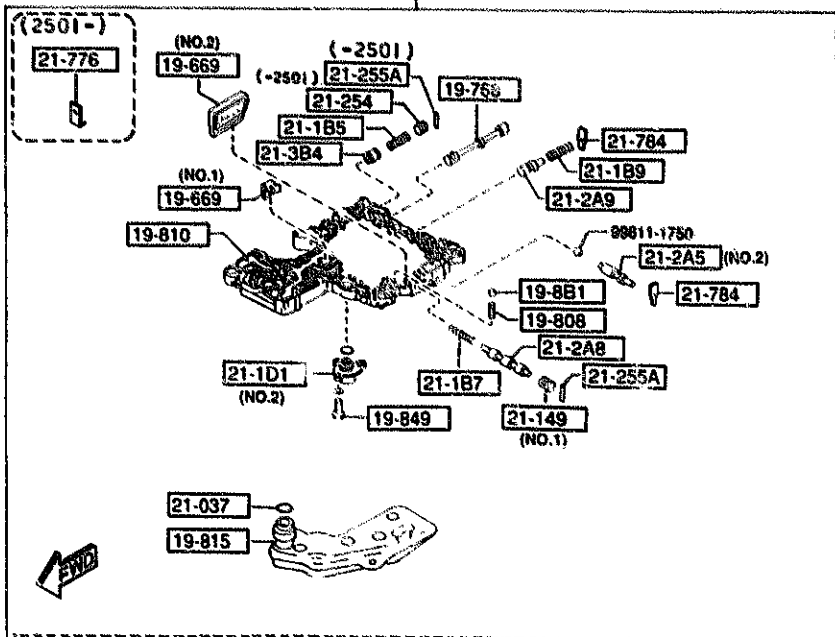
AUFA04

(CONT'D)

CAT. AUFA04-06

1994-09

② (THIS ILLUSTRATION CONSISTS OF 2 PAGES)



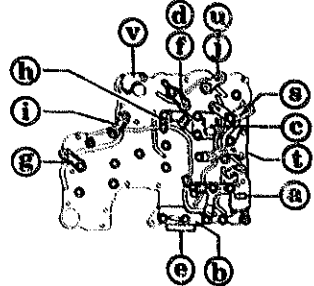
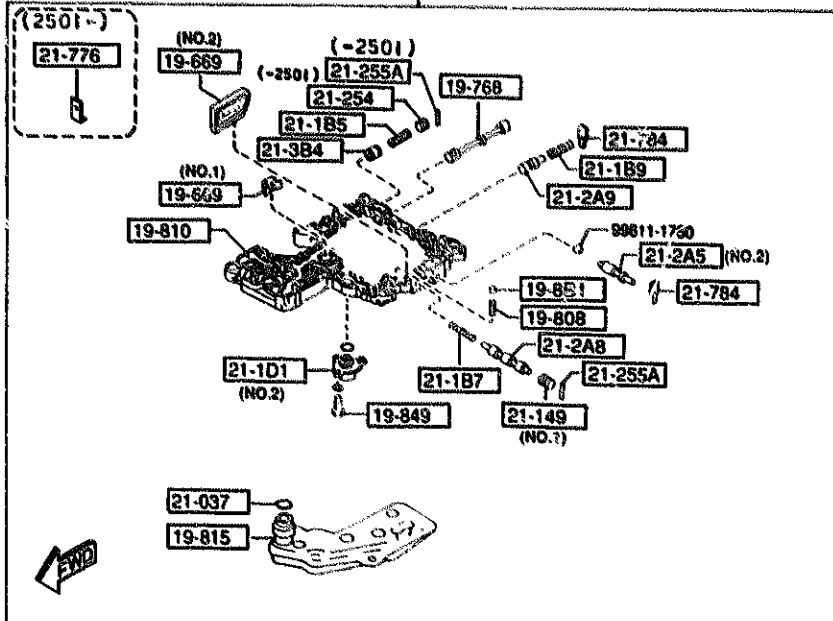
PART NO.	QTY	MODEL/RES'RICTION	MODEL/RESTRICTION	MODEL/RESTRICTION	FROM-TO
19-810		BODY, LNR-CONT. VALVE			
BV4C-19-810	1				
19-815		STRAINER, OIL			
BV6S-19-815	1				
19-818		BOLT			
BV11-19-818	2				
19-819		NUT			
BV11-19-819	4				
19-831		BOLT, CONTROL VALVE			
BV11-19-831	1				
19-832		BOLT, CONTROL VALVE			
BV50-19-832	1				
19-833		BOLT, CONTROL VALVE			
BV11-19-833	16				
19-837A		BOLT, CONTROL VALVE			
BV11-19-837	9				
19-849		BOLT			
BV11-19-849	2				
19-853		WASHER			
BV11-19-853	6				
21-J09		BRACKET, TUBE			
BV30-21-0J9	1				
21-0J1		CLIP, HARNESS			
BV50-21-0J1	1				
21-0J2		CLIP, HARNESS			
BV45-19-0J2	1				
21-0J3		CLIP, HARNESS			
BV11-21-0J3	1				

3401 F03MNM-210661

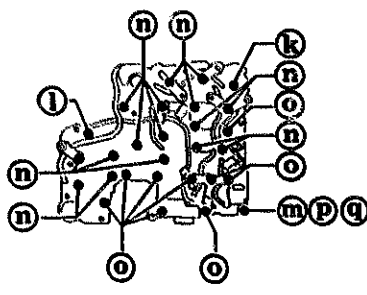
-3401



② (THIS ILLUSTRATION CONSISTS OF 2 PAGES)



a	21-0J1		g	21-096
b	21-0J2		h	21-0J8
c	21-0J3		i	21-0J9
d	21-0J4		j	21-092
e	21-0J5		s	21-093
f	21-0J7	(NO.1)	t	21-094
u	21-0J7	(NO.2)	v	21-095



k	19-818	L=27MM
l	19-831	L=55MM
m	19-832	L=45MM
n	19-833	L=35MM
o	19-837A	L=50MM
p	19-819	
q	19-853	

PART NO.	QTY	MODEL/RESTRICTION	MODEL/RESTRICTION	MODEL/RESTRICTION	FROM-TO
21-1A5		SPRING, VALVE			
BV11-21-1A5	1	(ILLUST. NO.1)			
BV56-21-1A5	1	(ILLUST. NO.2)			
21-1A6		SPRING, VALVE			
BV11-21-1A6	2				
21-1A7		SPRING, VALVE			
BV11-21-1A7	2				
21-1B1		SPRING, VALVE			
BV11-21-1B1	1				
21-1B4		SPRING, VALVE			
BV11-21-1B4	1				
21-1B5		SPRING, VALVE			
BV11-21-1B5	1				
BV12-21-1B5	1				
21-1B7		SPRING, VALVE			
BV11-21-1B7	1				
21-1B8		SPRING, VALVE			
BV45-21-1B8	1				
21-1B9		SPRING, VALVE			
BV11-21-1B9	1				
21-1C1		VALVE, SHIFT			
BV11-21-1C1	1	(ILLUST. NO.1)			
BV40-21-1C1	1	(ILLUST. NO.2)			
21-1C2		VALVE, SHIFT			
BV11-21-1C2	1				
21-1C3		VALVE, SHIFT			
BV11-21-1C3	1				
21-1C4		VALVE, SHIFT			

-2501  
2501-

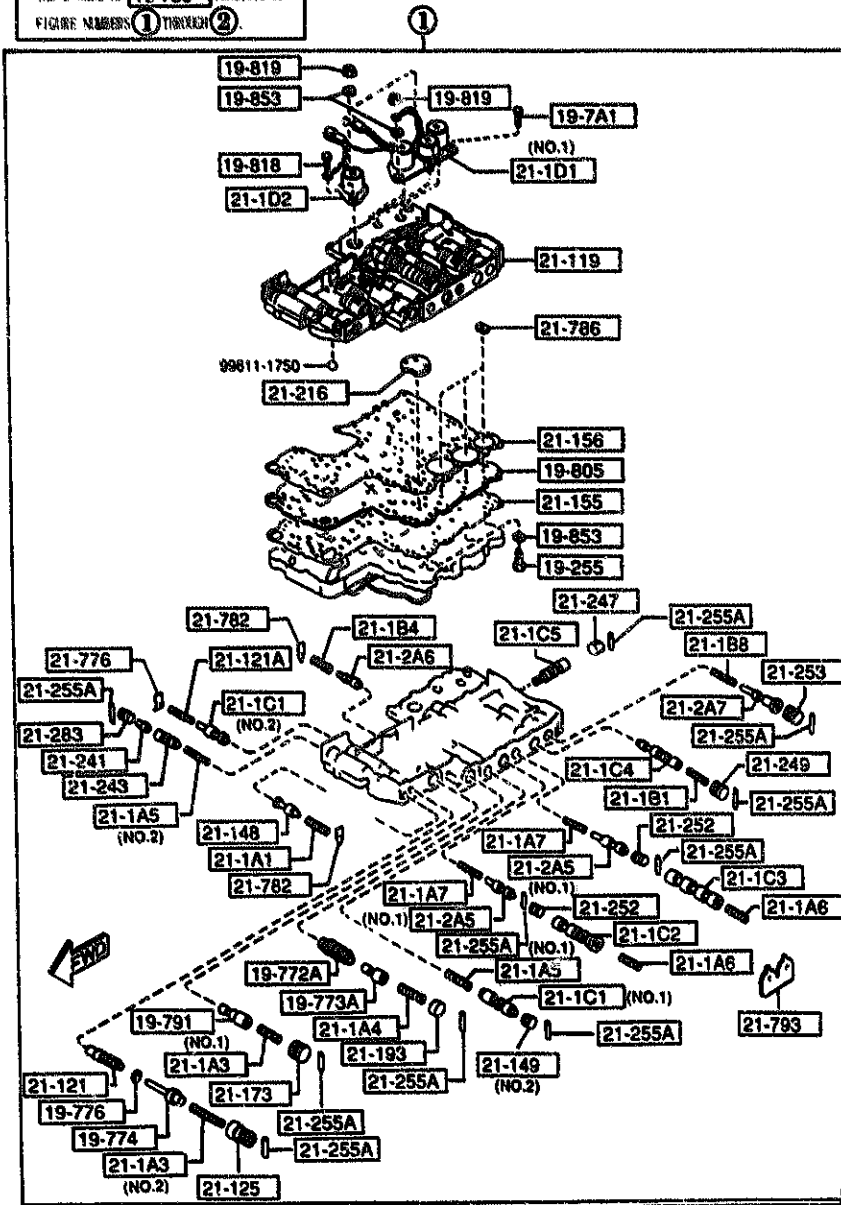
2501 FD3MM-205709

1925 CONTROL VALVE (AUTOMATIC)

(1/2)

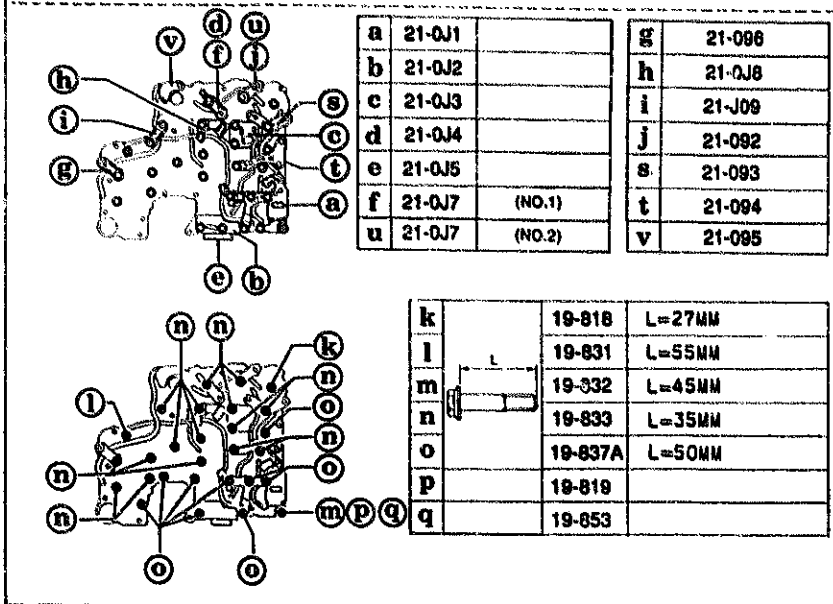
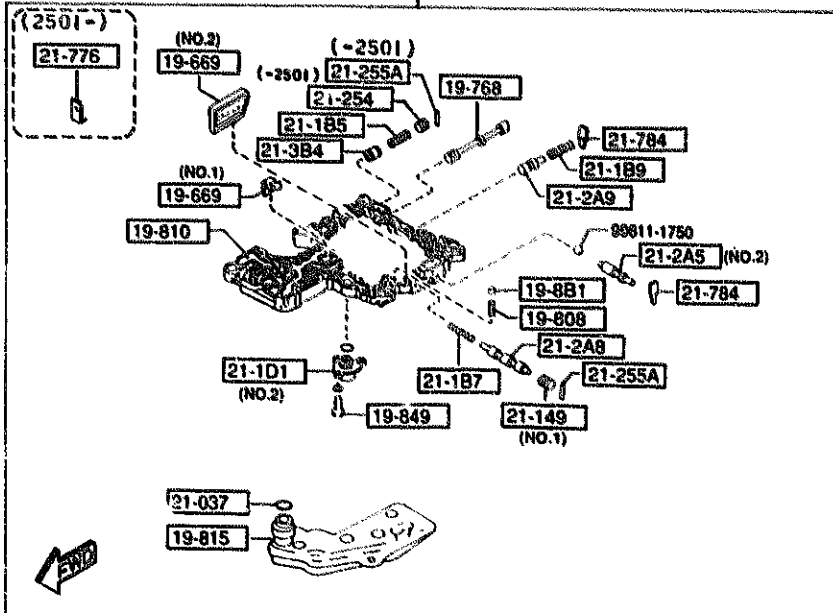
(THIS ILLUSTRATION CONSISTS OF 2 PAGES)

NOTE  
 ① ... ② 19-750  
 THE ILLUSTRATION OF 19-750 CONSISTS OF  
 FIGURE NUMBERS ① THROUGH ②.



PART NO.	QTY	MODEL/RESTRICTION	MODEL/RESTRICTION	MODEL/RESTRICTION	FROM-TO
CONT'D					
BV11-21-1C4	1				
21-1C5		VALVE, SHIFT			
BV45-21-1C5	1				
21-1D1		SOLENOID			
BV11-21-1D1	1	(ILLUST. NO.1)			
BV45-21-1D1	1	(ILLUST. NO.2)			
21-1D2		SOLENOID			
BV11-21-1D2	1				
21-119		BODY, UPPER-CONTROL			
BV40-21-119	1				
21-121		VALVE			
BV11-21-121	1				
21-121A		SPRING, VALVE			
BV45-21-121	1				
21-125		SLEEVE, PLUG REGULATO R			
BV11-21-125	1				
21-148		VALVE, CONVR RELIEF			
BV11-21-148	1				
21-149		PLUG, STOPPER			
BV11-21-149	1	(ILLUST. NO.1)			
BV30-21-149	1	(ILLUST. NO.2)			
21-155		GASKET, BODY-LWR			
BV40-21-155	1				
21-156		GASKET, BODY-UPP			
BV40-21-156	1				
21-173		PLUG, STOPPER			
BV11-21-173	1				

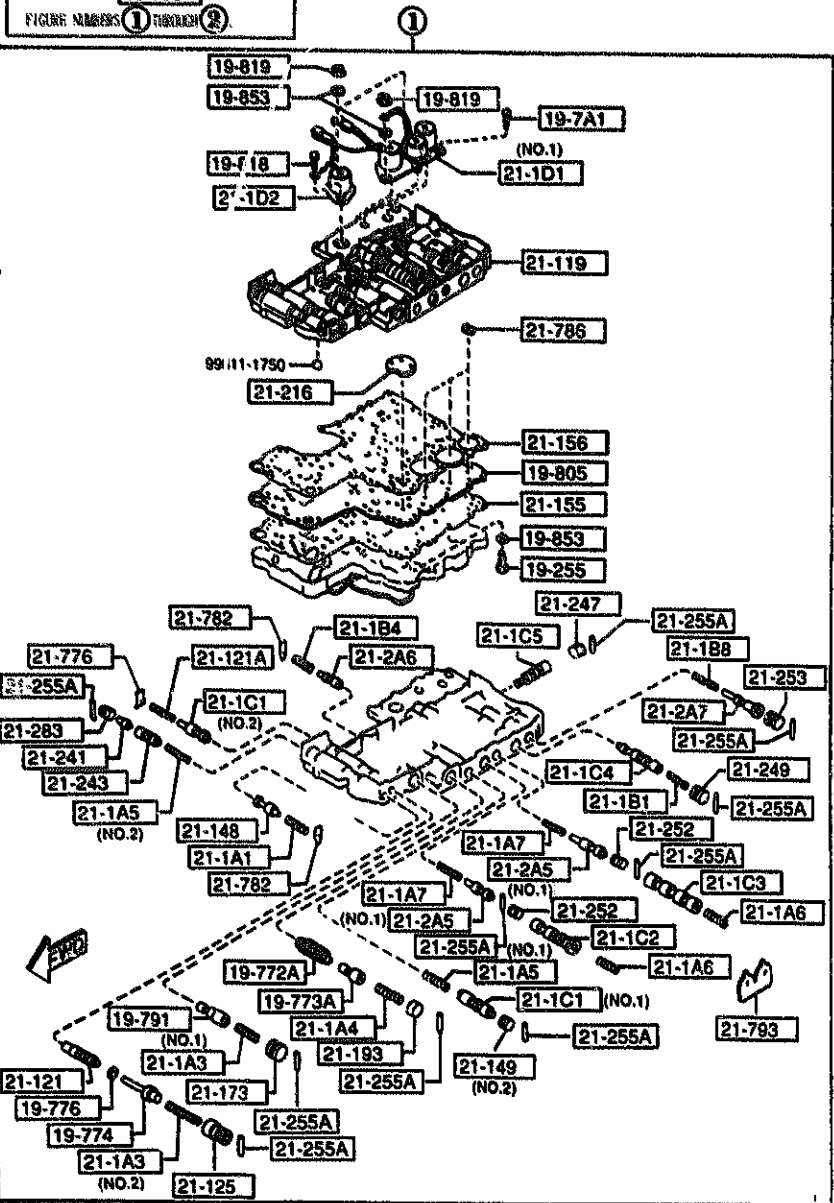
(THIS ILLUSTRATION CONSISTS OF 2 PAGES)



PART NO.	QTY	MODEL/RESTRICTION	MODEL/RESTRICTION	MODEL/RESTRICTION	FROM 10
21-193		PLUG, STOPPER			
BV11-21-193	1				
21-2A5		VALVE, SPOOL			
BV11-21-2A5	2 (ILLUST. NO.1)				
BV12-21-2A5	1 (ILLUST. NO.2)				
21-2A6		VALVE, SPOOL			
BV11-21-2A6	1				
21-2A7		VALVE, SPOOL			
BV11-21-2A7	1				
21-2A8		VALVE, SPOOL			
BV11-21-2A8	1				
21-2A9		VALVE, SPOOL			
BV35-21-2A9	1				
21-216		PLATE 'E', SIDE			
BV11-21-216	1				
21-241		SLEEVE, LOCK UP			
BV40-21-241	1				
21-243		VALVE, SRD LOCK UP			
BV40-21-243	1				
21-247		PLUG, STOPPER			
BV30-21-247	1				
21-249		PLUG			
BV56-21-249	1				
21-252		PLUG, STOPPER			
BV11-21-252	2				
21-253		GASKET, DRUM SUPPORT			
BV11-21-253	1				

NOTE  
 ① ... ② → 19-750  
 THE DRAWING OF 19-750 CONSISTS OF  
 FIGURE NUMBERS ① THROUGH ②.

(THIS ILLUSTRATION CONSISTS OF 2 PAGES)

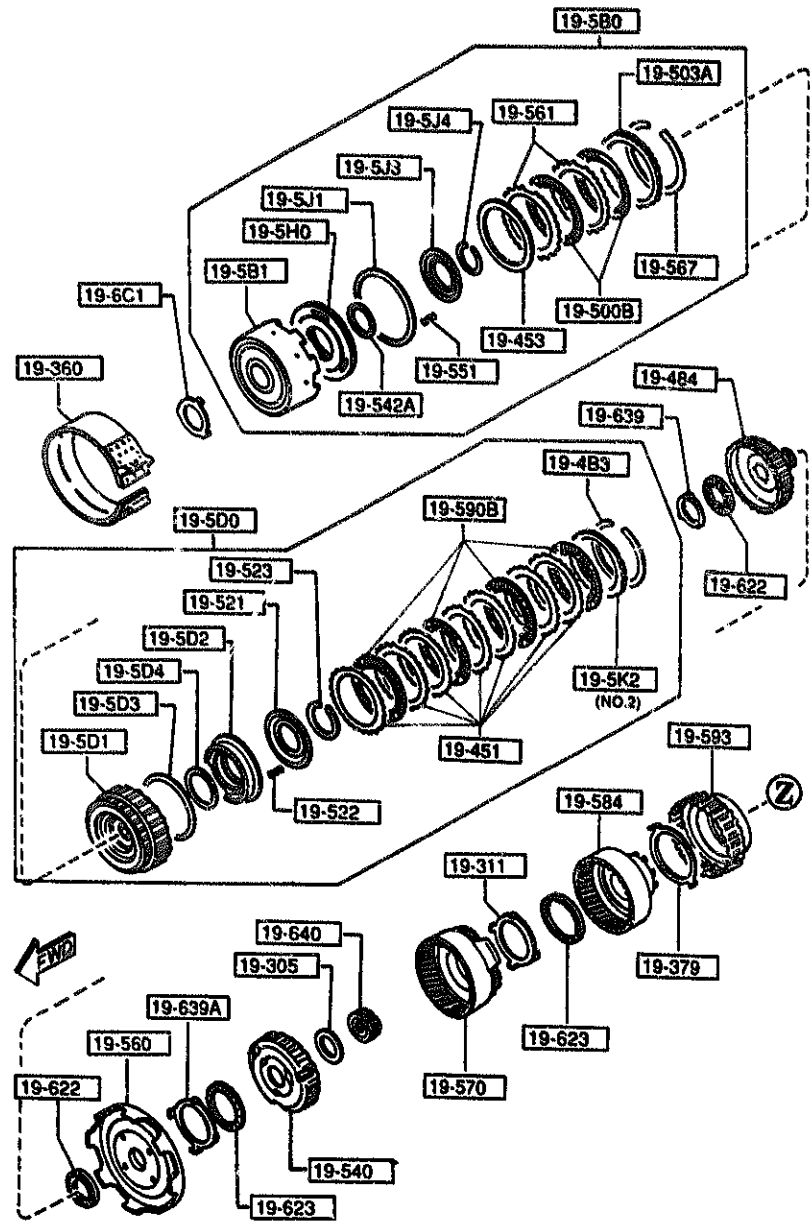


PART NO.	QTY	MODEL/RESTRICTION	MODEL/RESTRICTION	MODEL/RESTRICTION	FROM (U)
21-254		PLUG, STOPPER			
BV11-21-254	1				-2501
21-255A		PIN, STOPPER			
BV11-21-255	12				-2501
BV11-21-255	11				2501-
21-283		VALVE, LOCK UP CONTROL			
BV40-21-283	1				
21-384		PISTON, ACCUMULATOR			
BV11-21-384	1				
21-776		PLATE, RETAINING			
BV40-21-776	1				-2501
BV40-21-776	2				2501-
21-782		PLATE			
BV11-21-782	2				
21-784		PLATE			
BV11-21-784	2				
21-786		PLATE			
BV11-21-786	3				
21-793		PLATE			
BV35-21-793	1				
2501 FD3MM-205709					





(THIS ILLUSTRATION CONSISTS OF 2 PAGES)

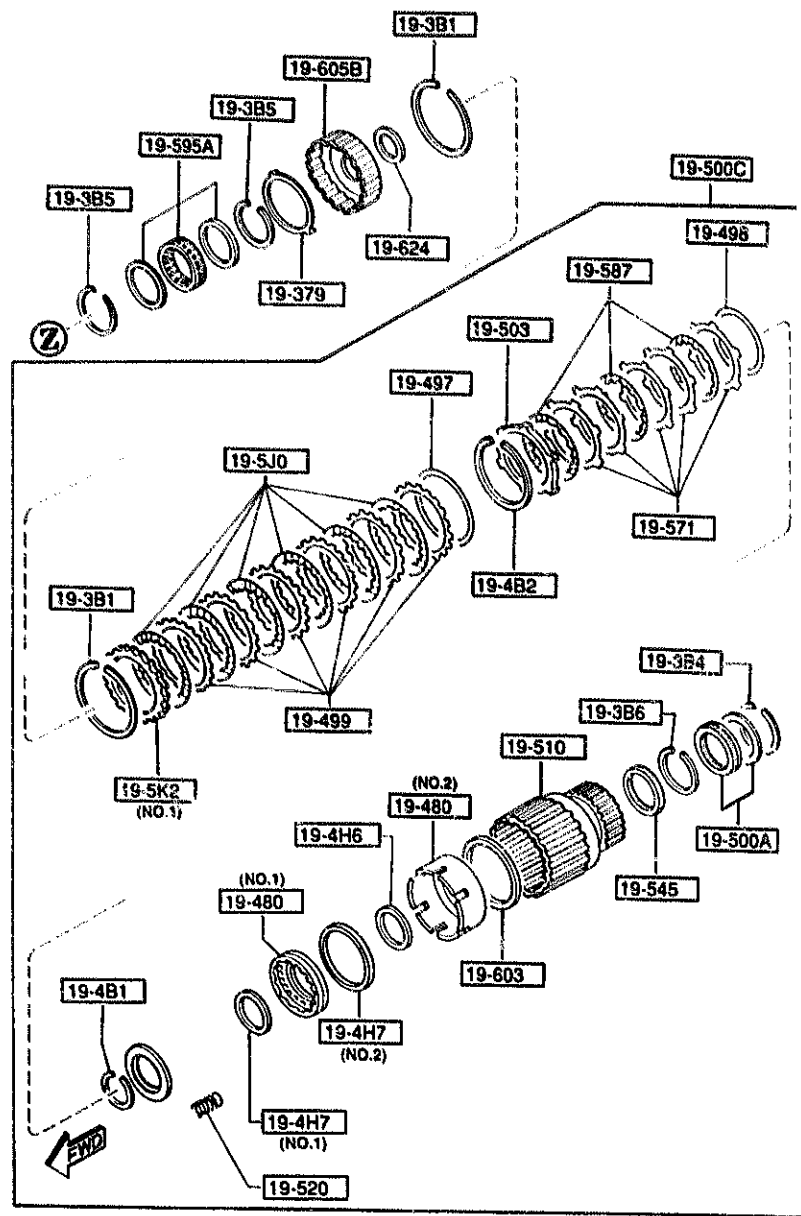


PART NO.	QTY	MODEL/RESTRICTION	MODEL/RESTRICTION	MODEL/RESTRICTION	FROM-10
19-3B1		RING, SNAP			
BV11-19-3B1	2				
19-3B4		RING, SNAP			
BV45-19-3B4	1				
19-3B5		RING, SNAP			
BV11-19-3B5A	2				
19-3B6		RING, SNAP			
BV11-19-3B6	1				
19-305		BEARING, NEEDLE			
BV11-19-305	1				
19-311		RACE, BEARING			
BV11-19-311	1				
19-360		BAND, BRAKE			
BV65-19-360	1				
19-379		WASHER, TRUST			
BV11-19-379	2				
19-4B1		RING, SNAP			
BV11-19-4B1	1				
19-4B2		RING, SNAP			
BV11-19-4B2	1				
19-4B3		RING, SNAP			
BV11-19-4B3	1				
19-4H6		SEAL, LATHE CUT			
BV11-19-4H6	1				
19-4H7		SEAL, PISTON			
BV11-19-4H7	1	(ILLUST. NO.1)			
BV30-19-4H7	1	(ILLUST. NO.2)			

1930 CLUTCHES & PLANETARY GEARS (AUTOMATIC)

(2 / 2)

(THIS ILLUSTRATION CONSISTS OF 2 PAGES)



PART NO.	QTY	MODEL/RESTRICTION	MODEL/RESTRICTION	MODEL/RESTRICTION	FROM TO
19-451		PLATE, DRIVEN			
BV11-19-451	7				
19-453		PLATE, RETAINING			
BV11-19-453	1				
19-480		PISTON, CLUTCH			
BV45-19-3F0	1 (ILLUST. NO.1)				
BV11-19-480	1 (ILLUST. NO.2)				
19-484		HUB, FORWARD CLUTCH			
BV11-19-484	1				
19-497		PLATE, DISHED			
BV11-19-497	1				
19-498		PLATE, DISHED			
BV11-19-498	1				
19-499		PLATE, DRIVEN			
BV45-19-499	6				
19-580		CLUTCH, REVERSE			
BV11-19-580	1				-2901
BV11-19-580A	1				2901-
19-581		DRUM, REVERSE			
BV11-19-581	1				
19-5D0		CLUTCH, HIGH			
BV65-19-5D0	1				-2901
BV65-19-5D0A	1				2901-
19-5D1		DRUM, HIGH CLUTCH			
BV11-19-5D1A	1				-2901
BV11-19-5D1B	1				2901-
19-5D2		PISTON, HIGH CLUTCH			
BV11-19-5D2	1				

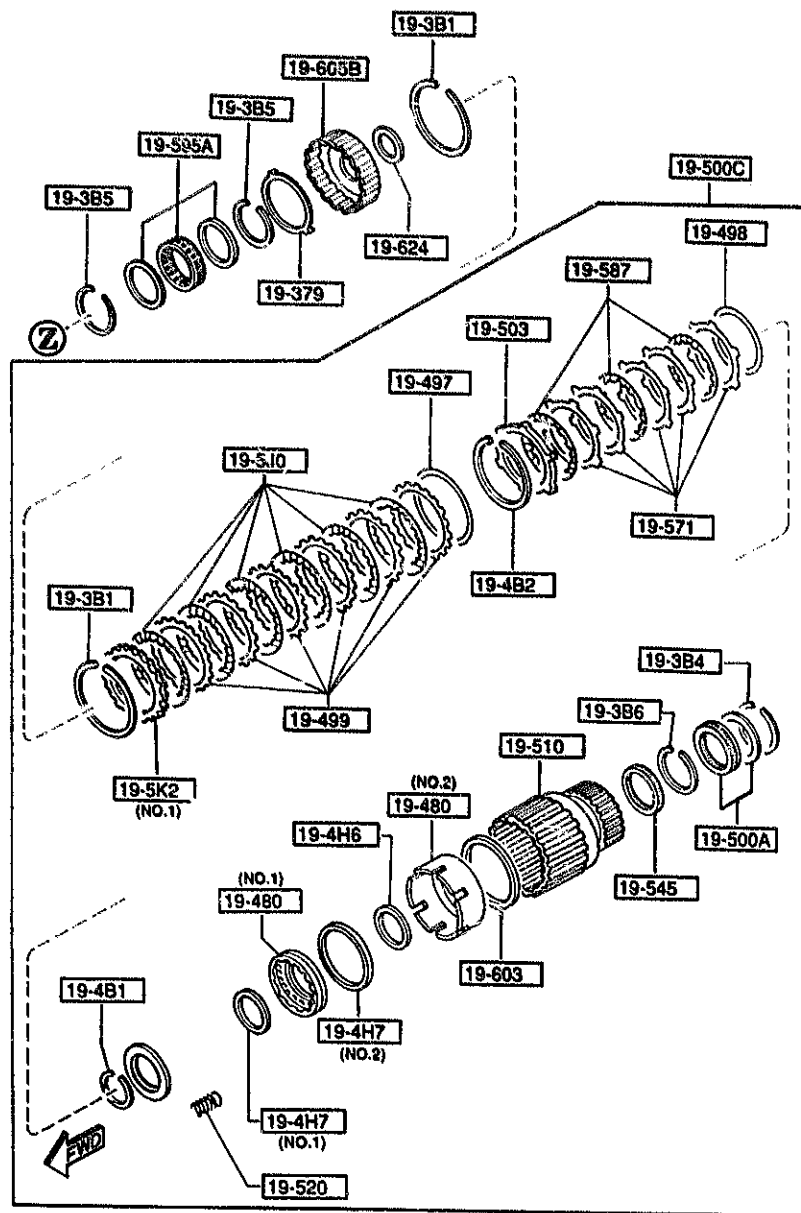
2901 F03MMX-210499







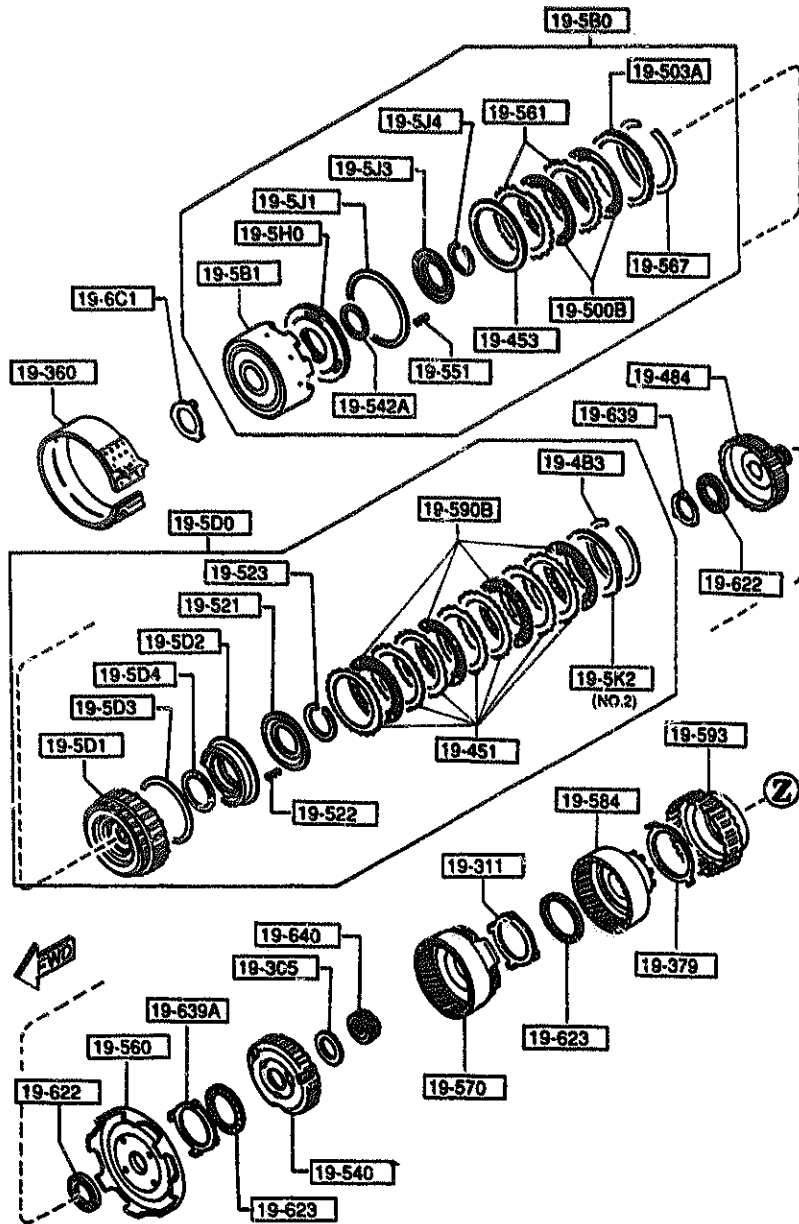
(THIS ILLUSTRATION CONSISTS OF 2 PAGES)



PART NO.	QTY	MODEL/RESTRICTION	MODEL/RESTRICTION	MODEL/RESTRICTION	FROM-TO
19-551		SPRING, PISTON RETAINER			
BV11-19-551	16				
19-560		GEAR, SUN			
BV65-19-560	1				
19-561		PLATE, DRIVEN-REV. PISTON			
BV45-19-561	2				-2901
BV45-19-561A	2				2901-
19-567		RING, SNAP			
BV11-19-567	1				
19-570		CARRIER, REAR			
BV46-19-570	1				
19-571		PLATE, DRIVEN-FRONT			
BV45-19-571	9				
19-584		GEAR, INTERNAL			
BV45-19-584	1				
19-587		PLATE			
BV11-19-587	3				
19-590B		PLATE, DRIVE			
BV11-19-590	4				
19-593		RACE, OUTER			
BV11-19-593	1				
19-595A		CLUTCH, ONE WAY			
BV11-19-595	1				
19-6C1		RACE, BEARING			
BV11-19-6C1	1	T=0.8MM			
BV11-19-6C2	1	T=1MM			
BV11-19-6C3	1	T=1.2MM			

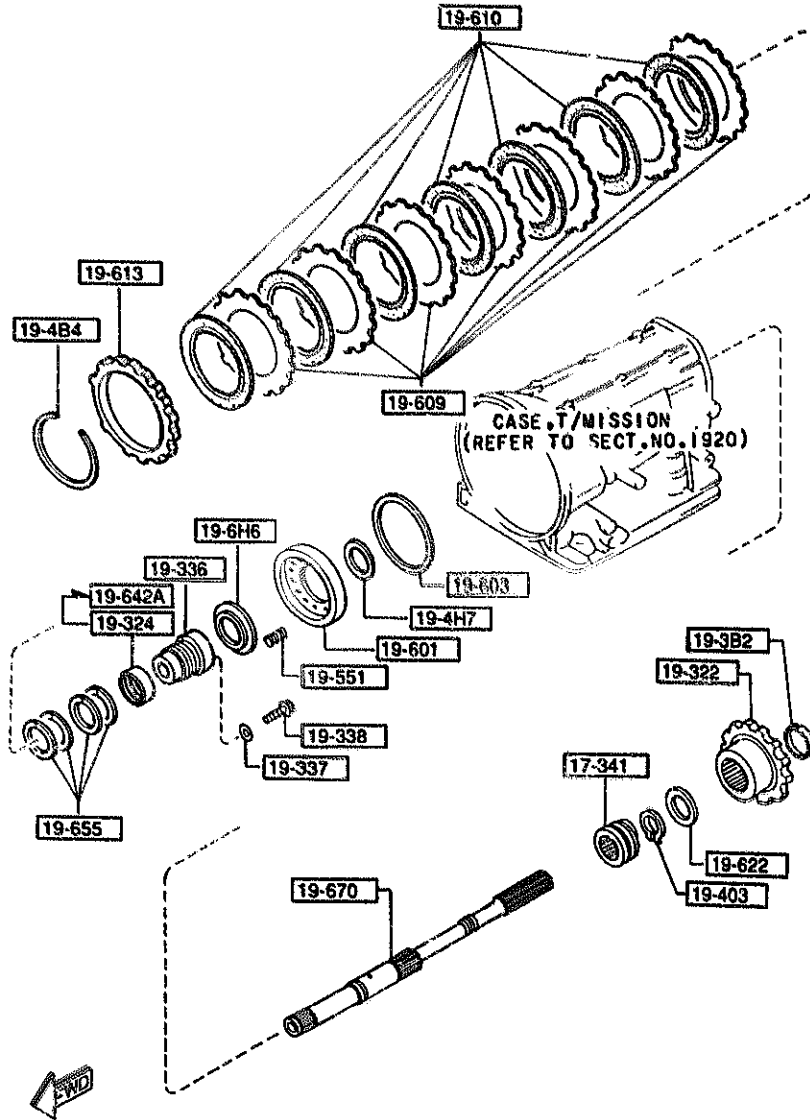
2901 FD3MM-210499

(THIS ILLUSTRATION CONSISTS OF 2 PAGES)



PART NO.	QTY	MODEL/RESTRICTION	MODEL/RESTRICTION	MODEL/RESTRICTION	FROM-TO
CONT'D					
BV11-19-6C4	1	T=1.4MM			
BV11-19-6C5	1	T=1.6MM			
BV11-19-6C6	1	T=1.8MM			
BV11-19-6C7	1	T=2MM			
19-603		SEAL, PISTON			
BV11-19-603	1				
19-605B		HUB			
BV35-19-605	1				-3501
BV11-19-605	1				3501-
19-622		BEARING, NEEDLE			
0338-19-622	2				
19-623		BEARING, NEEDLE			
BV11-19-307	2				
19-624		BEARING, NEEDLE			
BV11-19-304	1				-3501
BV95-19-304	1				3501-
19-639		RACE, BEARING			
BV11-19-303	1				
19-639A		RACE, BEARING			
BV11-19-306	1				
19-640		GEAR, SMALL SUN			
BV46-19-6F1	1				
3501 F03MMX-210362					

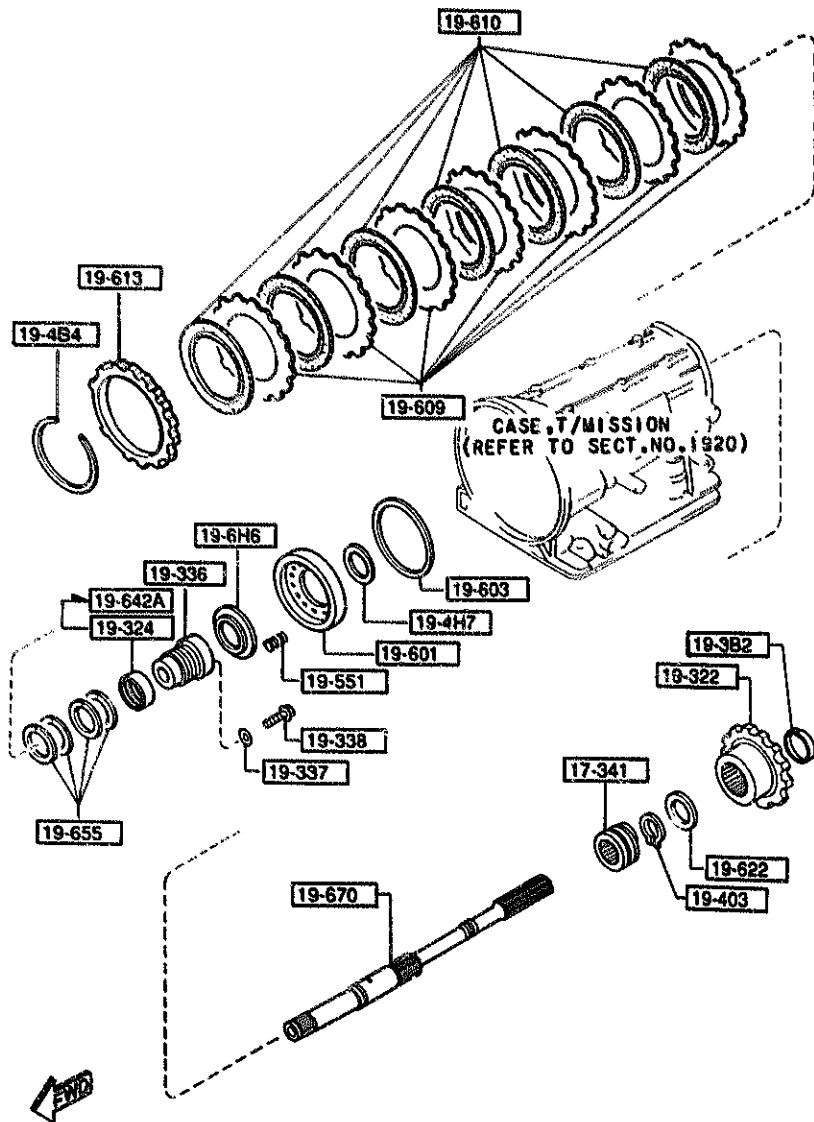
1940 GOVERNOR, LOW & REVERSE PISTON(AUTOMATIC)



PART NO.	QTY	MODEL/RESTRICTION	MODEL/RESTRICTION	MODEL/RESTRICTION	FROM-TO
17-341		GEAR, DRIVE			
BV41-17-341	1				
19-382		RING, SNAP			
BV41-19-382	1				
19-322		GEAR, PARKING			
BV11-19-322	1				
19-324		BEARING, NEEDLE			
BV11-19-324	1				-3401
19-336		RACE, INNER			
BV11-19-336	1				-3501
BV55-19-336	1				3501-
19-337		WASHER, PLAIN			
BV11-19-337	8				
19-338		BOLT			
BV11-19-338	8				
19-4B4		RING, SNAP			
BV11-19-4B4	1				
19-4H7		SEAL, PISTON			
BV11-19-4H7	1				
19-403		RING, SNAP-PISTON STE M LOW			
BV40-19-403	1				
19-551		SPRING, PISTON RETAIN ER			
BV65-19-551	18				
19-6H6		RETAINER, SPRING			
BV65-19-6H6	1				
19-601		PISTON, LOW & REVERSE			
BV45-19-601	1				-3401
BV65-19-601	1				3401-
3401 FD3MM-210661					
3501 FD3MM-210662					



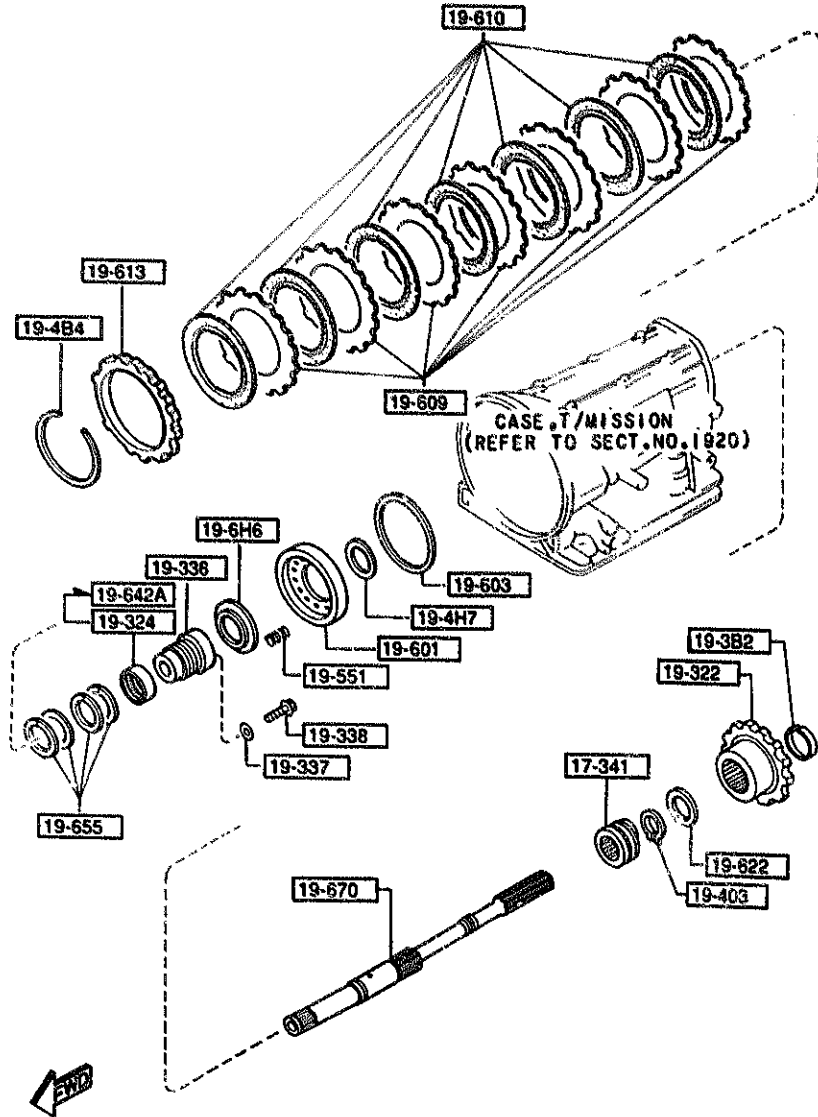
1940 GOVERNOR, LOW & REVERSE PISTON(AUTOMATIC)



PART NO.	QTY	MODEL/RESTRICTION	MODEL/RESTRICTION	MODEL/RESTRICTION	FROM-10
19-603		SEAL, PISTON			
BV11-19-603	1				
19-609		PLATE, DRIVEN			
BV45-19-609	7				
19-610		PLATE, DRIVEN			
BV36-19-610	7				
19-613		PLATE, RETAINING			
BV65-19-613	1	T=8MM			
BV65-19-615	1	T=7.6MM			
BV65-19-616	1	T=7.8MM			
BV65-19-617	1	T=6.8MM			
BV65-19-618	1	T=7MM			
BV65-19-623	1	T=7.2MM			
BV65-19-625	1	T=7.4MM			
BV65-19-628	1	T=6.6MM			
BV65-19-626	1	T=6.2MM			-3401
BV65-19-627	1	T=6.4MM			-3401
BV11-19-613	1	T=9.8MM			3401-
BV45-19-613	1	T=8.4MM			3401-
BV66-19-613	1	T=8.2MM			3401-
BV45-19-615	1	T=8.6MM			3401-
BV11-19-616	1	T=9MM			3401-
BV45-19-616	1	T=8.8MM			3401-
19-622		BEARING, NEEDLE			

3401 FDSMNN-210661

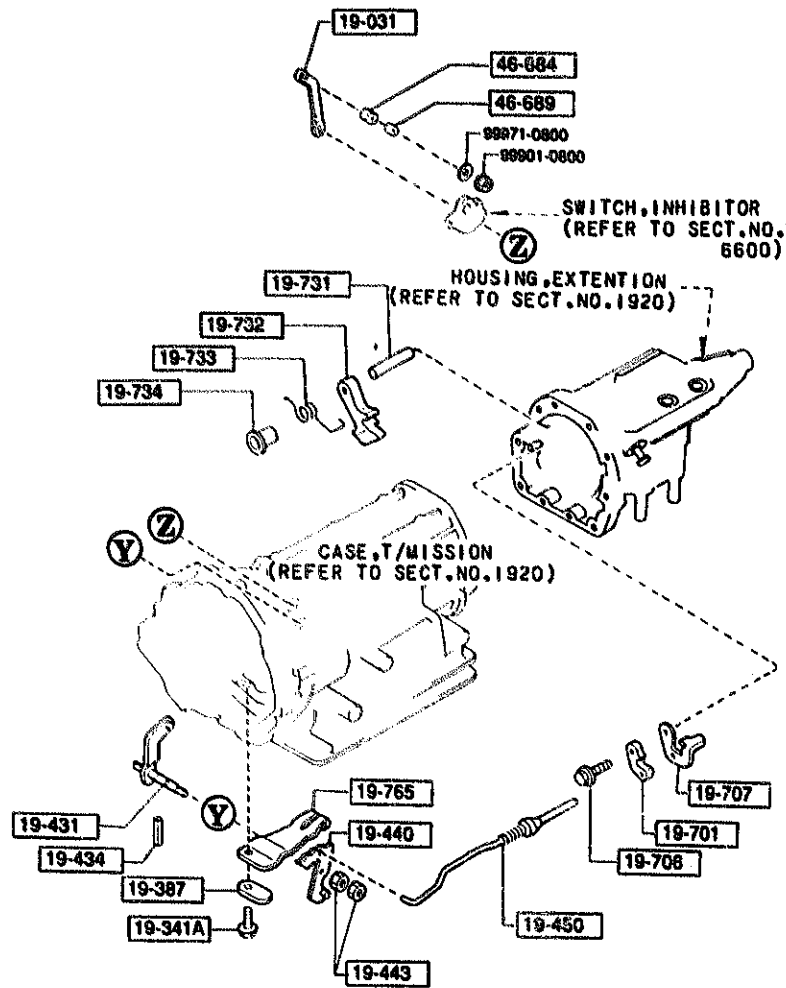
1940 GOVERNOR, LOW & REVERSE PISTON(AUTOMATIC)



PART NO.	QTY	MODEL/RESTRICTION	MODEL/RESTRICTION	MODEL/RESTRICTION	FROM TO
CONT'D BV11-19-622	1				
19-642A		WASHER, THRUST			
BV11-19-5F1	2				3401-
19-655		RING, SEAL			
BV11-19-655	4				
19-670		SHAFT			
BV45-19-670	1				

3401 FD3MM-210661

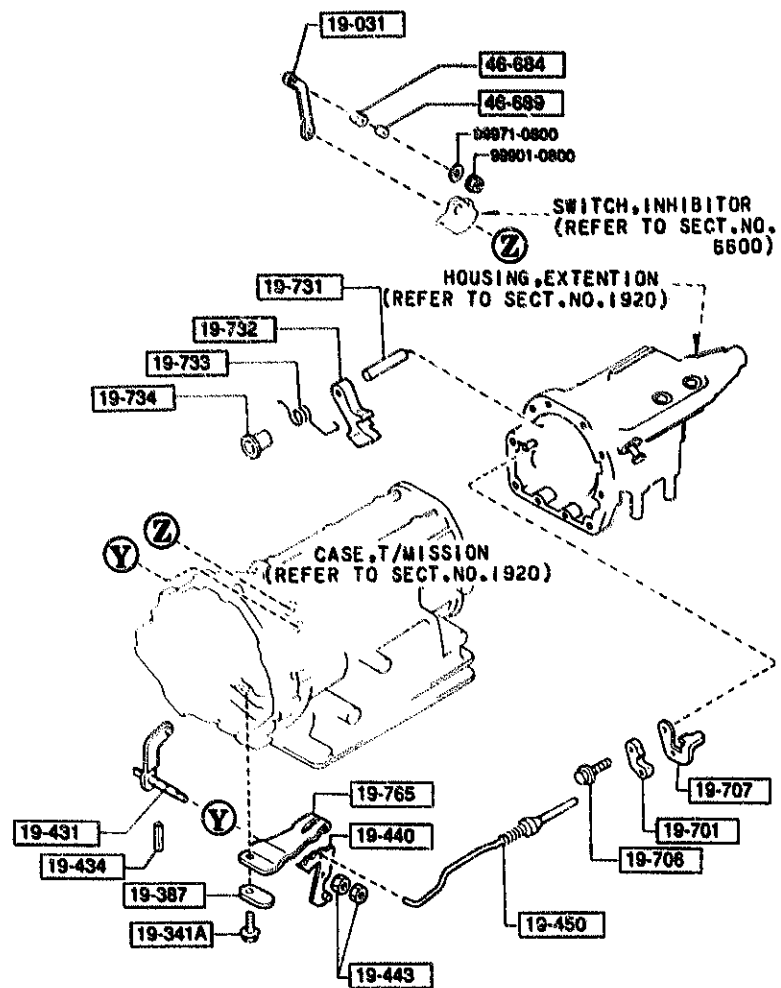
1950 MANUAL LINKAGE SYSTEM (AUTOMATIC)



PART NO.	QTY	MODEL/RESTRICTION	MODEL/RESTRICTION	MODEL/RESTRICTION	FROM-TO
19-031		LEVER, SELECT			
BV65-19-030	1				
19-341A		BOLT			
BV11-19-341	1				
19-387		SPACER			
BV11-19-387	1				
19-431		SHAFT, MANUAL			
BV11-19-431	1				
19-434		PIN			
BV11-19-434	1				
19-440		PLATE, MANUAL			
BV65-19-440	1				
19-443		NUT, SHAFT			
BV45-19-443	2				
19-450		ROD, PARKING			
BV11-19-450	1				
19-701		SUPPORTER, ACTUATOR			
BV11-21-471	1				
19-706		BOLT			
BV11-21-475	2				
19-707		GUIDE, PARKING ROD			
BV11-19-707	1				
19-731		SHAFT, PARKING PAWL			
BV11-21-472	1				
19-732		PAWL, PARKING			
BV11-19-732	1				
19-733		SPRING, PAWL RETURN			
BV11-19-733	1				

1950 -2 M MANUAL LINKAGE SYSTEM (AUTOMATIC)

1950 MANUAL LINKAGE SYSTEM (AUTOMATIC)



PART NO.	QTY	MODEL/RESTRICTION	MODEL/RESTRICTION	MODEL/RESTRICTION	FROM-10
19-734		SPACER, DOWEL			
BV11-19-734	1				
19-765		SPRING			
8V65-19-765	1				
46-684		BUSH			
H380-46-684	1				
46-689		SPACER, CONTROL CABLE			
H380-46-689	1				

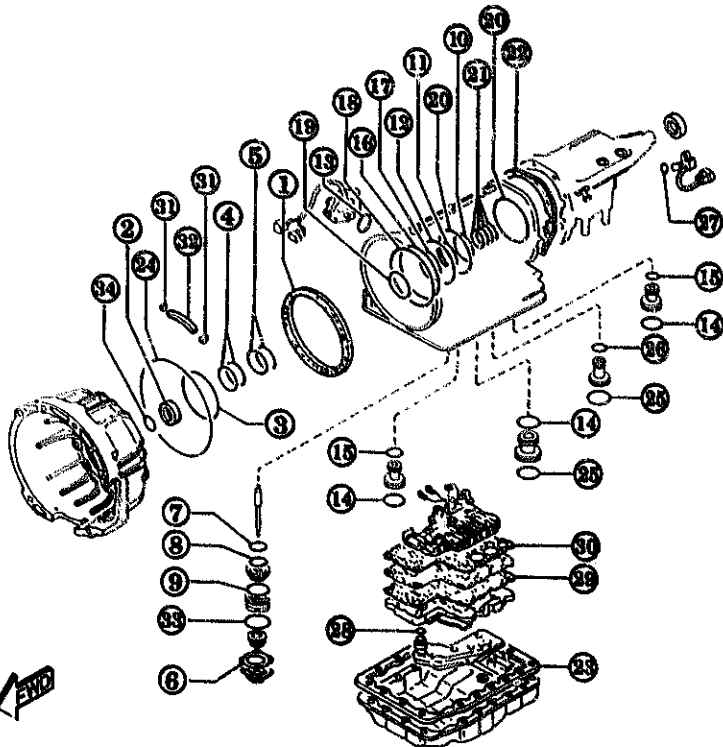
AUFA04

CAT. AUFA04-06

1994-09

22-900

- |                                      |                                    |
|--------------------------------------|------------------------------------|
| 1-GASKET, OIL PUMP..... (1)          | 18-SEAL, OUTER..... (1)            |
| 2-SEAL, OIL..... (1)                 | 19-SEAL, "O" RING..... (1)         |
| 3-RING, SEAL..... (1)                | 20-SEAL, PISTON..... (2)           |
| 4-RING, SEAL..... (1)                | 21-RING, SEAL..... (4)             |
| 5-RING, SEAL..... (1)                | 22-GASKET, EXTENTION..... (1)      |
| 6-GASKET..... (1)                    | 23-GASKET, OIL PAN..... (1)        |
| 7-SEAL, PISTON..... (1)              | 24-RING, "O"..... (1)              |
| 8-SEAL, PISTON..... (1)              | 25-RING, "O" -UP, ACCUM..... (2)   |
| 9-RING, "O"..... (1)                 | 26-RING, "O" -ACCUMULATOR..... (1) |
| 10-SEAL, LATHE CUT..... (1)          | 27-RING, "O" -ACCUMULATOR..... (1) |
| 11-SEAL, PISTON..... (1)             | 28-RING, "O"..... (1)              |
| 12-SEAL, PISTON..... (1)             | 29-GASKET, BODY-LWR..... (1)       |
| 13-SEAL, MANUAL SHAFT LEVER..... (1) | 30-GASKET, BODY-UPP..... (1)       |
| 14-SEAL, "O" RING..... (3)           | 31-SEAL, SIDE..... (2)             |
| 15-RING, "O"..... (2)                | 32-SEAL, FLANGE..... (1)           |
| 16-SEAL, LATHE CUT..... (1)          | 33-SEAL, LATHE CUT..... (1)        |
| 17-SEAL, LATHE CUT..... (1)          | 34-RING, "O"..... (1)              |



PART NO.	QTY	MODEL/RESTRICTION	MODEL/RESTRICTION	MODEL/RESTRICTION	FROM-TO
22-900		GASKET & SEAL KIT			
BV40-22-900	1				-2C07
BV65-22-900	1				2C07-

2C07 F03MMH-210516